

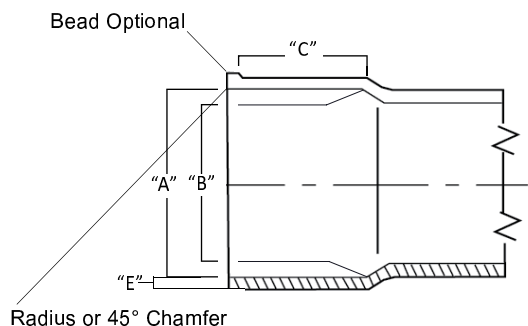
# BUSHING DWV ADAPTER SLEEVE | TECHNICAL INFORMATION

## Fittings Socket Dimensions - Inches

Nominal Size	A	B	C
4"	4.235±0.009	4.210±0.009	1.75
6"	6.305±0.011	6.270±0.011	3.000

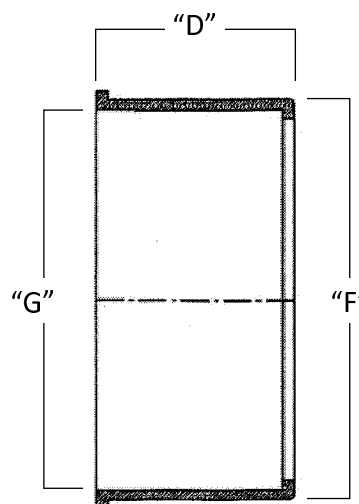
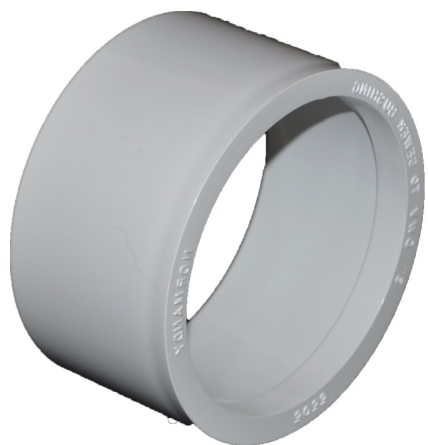
## Pipe Dimensions Minimum Wall Thickness

Pipe Dimensions		Minimum Wall Thickness	
<i>Outside Diameter</i>		<i>SDR 35</i>	
Nominal Size	Average	Tolerance on Average	E
4"	4.215	±0.009	0.120
6"	6.275	±0.011	0.180



## Bushing DWV Adapter Sleeve DWV Spigot x Sewer Hub

Part #	Size	Desc.	D	F	G
V-3044	4x4"	DWV Spg x Hub	2.000	4.50	4.235
V-3066	6x6"	DWV Spg x Hub	3.000	6.625	6.305



Normandy Products are proudly  
made in the USA.

[www.normandyproducts.com](http://www.normandyproducts.com)

T: 800.322.9463 | F: 800.910.0134

324 Delaware Avenue | PO Box 446 | Oakmont PA 15139