

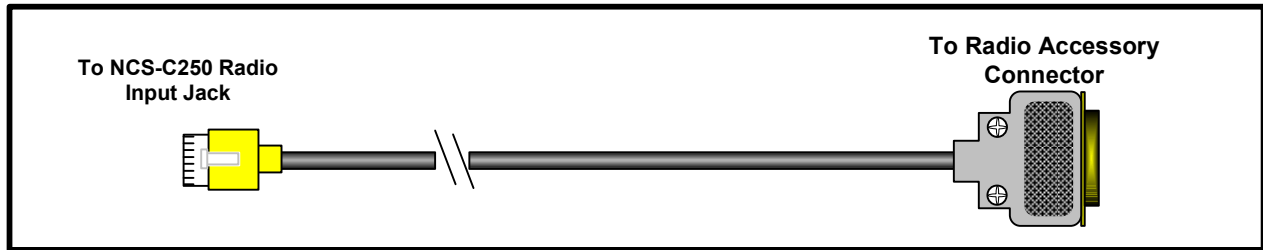
Radio Interface Cable

For NCS-C250 Mobile Multi-Switcher

NCS Model Number
NCS-250-KDA-XX

Compatible Radios:

TK-690
TK-790
TK-890

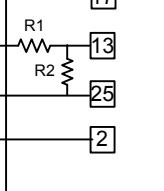


RJ-45

Pin #	Wire Color	Function
1	White	Mic Hi
2	Green	Mic Lo
3	Brown	PTT
4	Black	Ground
5	Yellow	Rx Audio
6	Shield	Ground
7	Red	Hook Sw*
8	Orange	COR*

*Active only if Switch Hook or COR Option installed.

RJ-45	Wire Color	DB-25M
4	Black	7
6	Shield (Bare)	NC
7	Red	5
8	Orange	22
5	Yellow	17
1	White	13
2	Green	25
3	Brown	2



Cable Wiring

Notes:

- Pin 2 (Aux input 1) of the DB-25 ACC connector must be programmed for PTT Input.
- Pin 13 (MI/DI) must be configured for mic input (MI). Radio default is DI. See page 20-21 of Kenwood Service Manual.
- Pin 5 of the DB-25 ACC connector must be programmed for Hook Switch if the Hook Switch option is installed in the NCS-C250.
- Pin 22 of the DB-25 ACC connector must be programmed for COR if the COR option is installed in the NCS-C250.