

# 2022 BC-8 HD SW & DW

BY BCROASTERS.COM

THE BC-8 HD COMES IN BOTH SINGLE & DOUBLE WALL MODELS. THESE ARE GREAT FOR A COFFEE SHOP & WHOLESALE OR RETAIL COFFEE BUSINESS. THE SINGLE WALL MODEL CAN ROAST FROM 2-8LB. ROASTS. WHILE THE DOUBLE WALL MODEL CAN DO SAMPLES DOWN TO ONE POUND ROASTS. THESE ROASTERS CAN DO UP TO 5 ROASTS PER HOUR. THEY ARE CAPABLE OF ROASTING AROUND 250-300LB. OF FINAL PRODUCT PER DAY. IT HAS ALL THE FEATURES MOST COMPANIES CHARGE EXTRA FOR BUILT INTO THE BASE PRICE. THE BC-8 MODEL COMES WITH THE ADVANCED AND PRECISE AIRFLOW CONTROL VIA THE MDDS (MANUAL DAMPER) SYSTEM & MANY NEW SAFETY FEATURES. SOLID HEAVY-DUTY STAINLESS STEEL DRUM AND BUILT IN PROFILING SYSTEM FOR BT & ET. DIRECT-CONNECT CHAFF UNIT FOR EFFICIENCY & REDUCED FOOTPRINT. COMES IN LP GAS WITH OPTION TO CONVERT TO NG. NOW YOUR CHOICE OF SINGLE OR DOUBLE WALL DRUMS! THE NEW HD MODELS FOR 2022 INCLUDE A HD CHAFF FAN AND HD GAS GAUGE PLUS OTHER FEATURES. ALSO NEW 3MM PROBES & MORE! IT'S TIME TO

**"GET YOUR ROAST ON!"**



## FEATURES

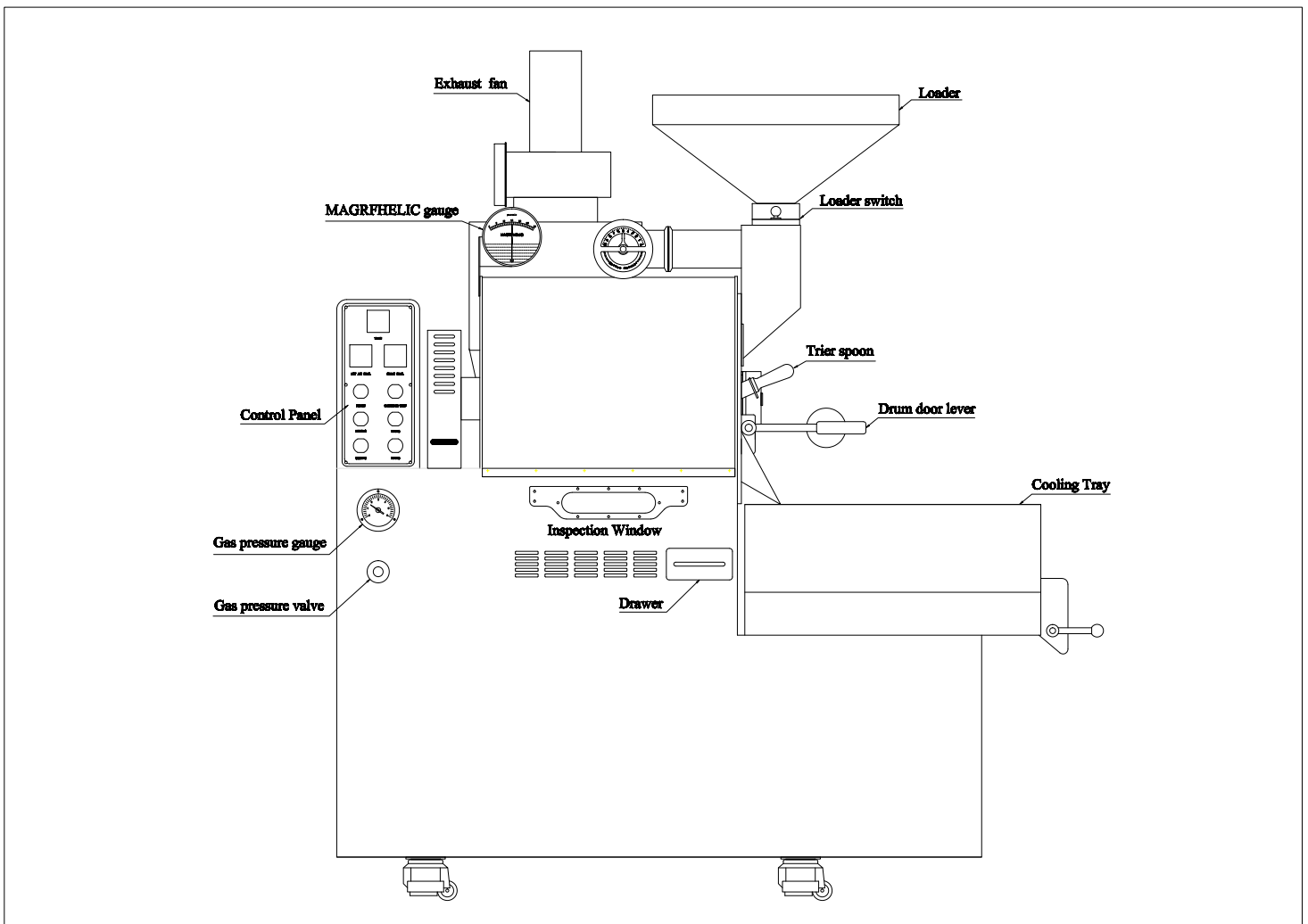
DRUM TYPE  
DATA LOGGING  
THERMOCOUPLES  
CONTROL PANEL  
WARRANTY  
PARTS AVAILABLE  
110V CONVERTER

Single or DW 304SS Drum 5mm  
2 OMRON CONTROLS w/BT & ET  
K-TYPE for BT & ET  
BT & ET VIEW ON PANEL  
1 YEAR PARTS & INSTRUCTION  
10 Year Parts Available Guarantee  
110V Voltage Converter 2000W

BC-8MD	GAS TYPE
Batch Size	2-8lb.
Roasting Time	9-14 minutes
Production	32-40lb.hr
Heat Source	NG/LPG
Voltage	220V
Wattage	610W
Drum Motor	200W
Chaff Fan Motor	120W
Cooling Fan Motor	200W
MIXING ARM	60W
BTU	60,000
NG PRESSURE	7-14WC
LPG PRESSURE	MAX. 16-20WC
Gas Consumption	0.6kg/hr
Roaster Dim.	52x34x62"
Roaster Weight	628lb.
Package Dimensions	55x46x60 850LB.

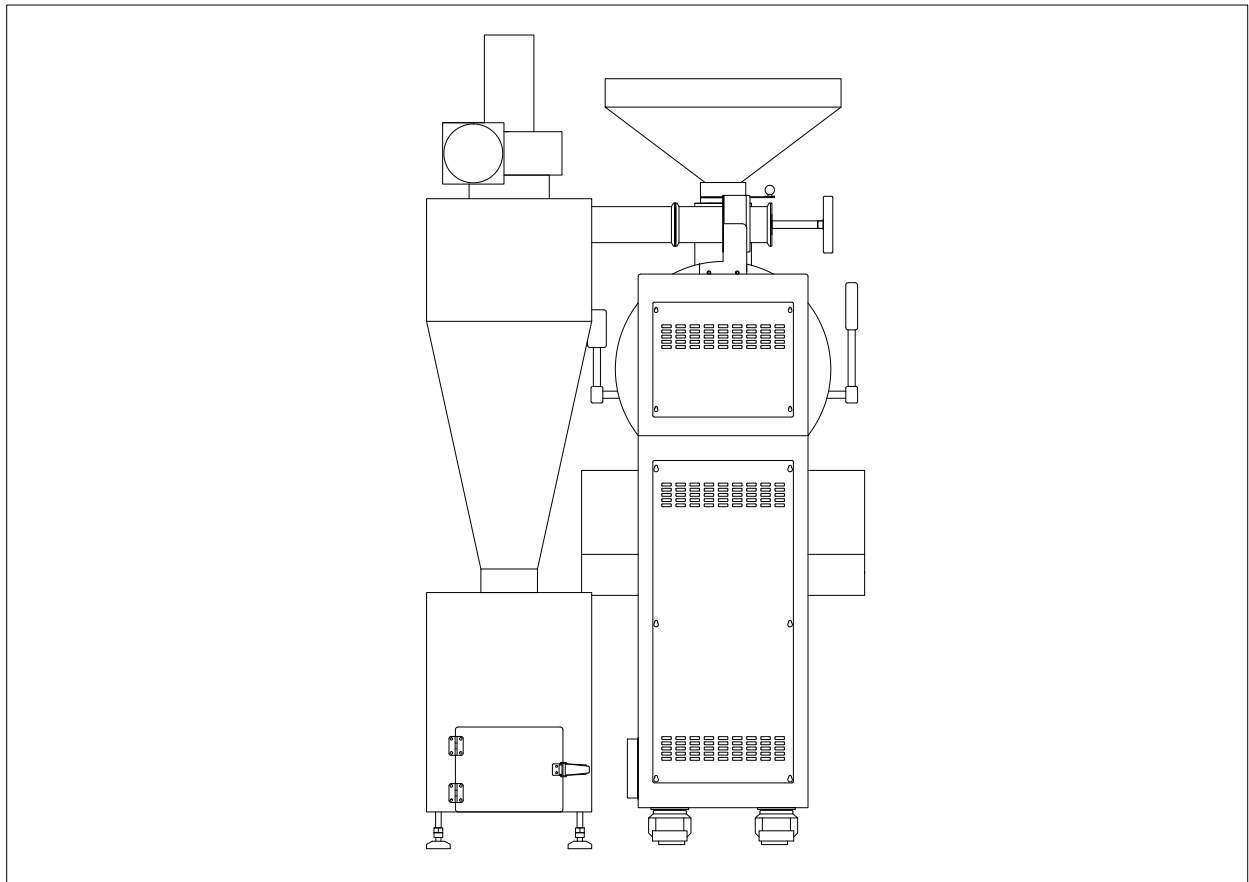
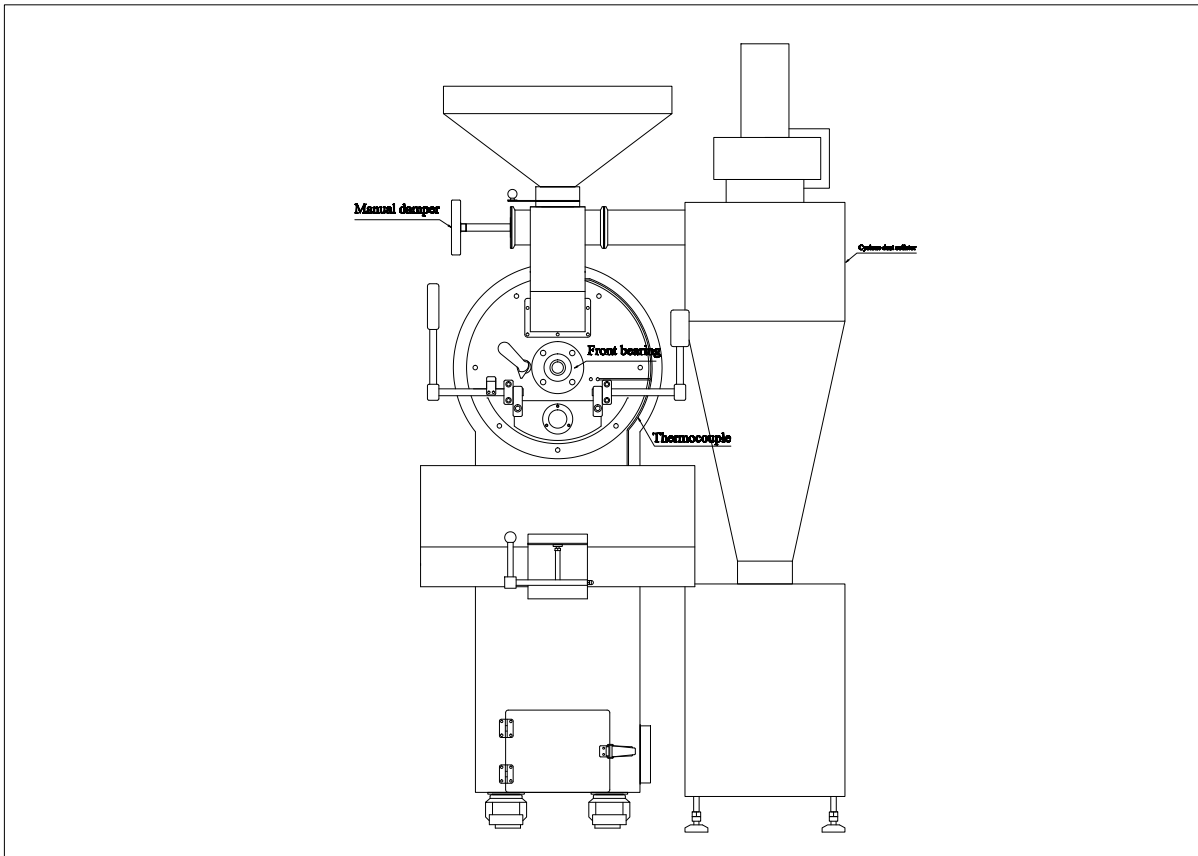
THE BC-8 HD IS A HEAVY DUTY ROASTER BUILT WITH A CARBON STEEL BODY WITH APPROVED POWDER COAT HIGH TEMPERATURE BODY IN BLACK, RED OR WHITE. THE HOUSINGS COME IN A CHOICE OF 4 COLORS (ROSE GOLD, BLACK TITANIUM & STAINLESS) ALSO WE NOW OFFER TEXTURED HOUSINGS WITH GOLD CHECKERED, BLACK & SILVER CHECKERED. PLUS SILVER RAINDROP & GOLD MOSAIC!

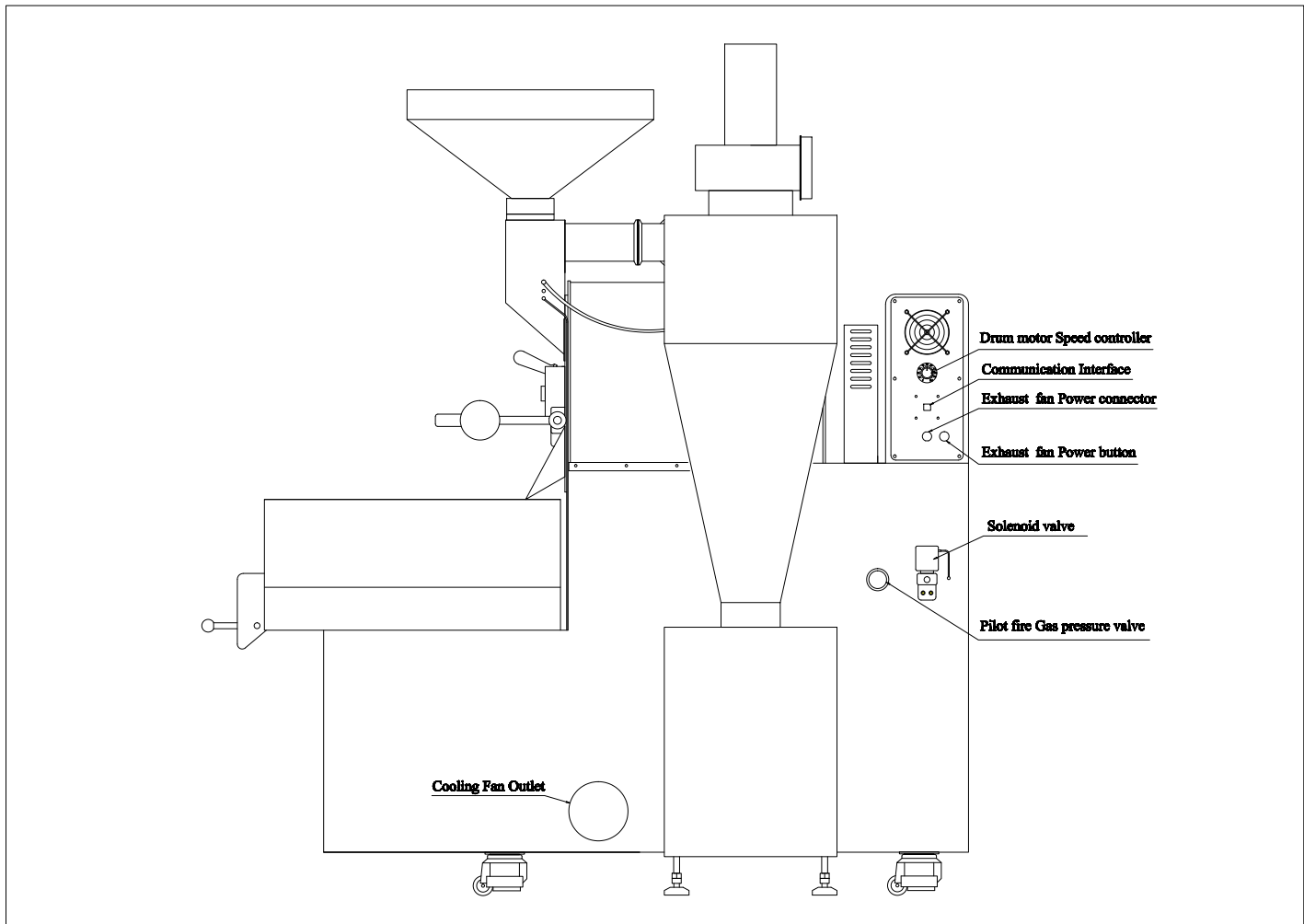
TWO EXHAUST PIPES COMES OFF THE 2020-2022 8 ARE 5" EACH AND CAN BE EXHAUSTED OUT OF BUILDING SEPARATELY OR CONNECTED WITH A BLAST OR BACKDRAFT DAMPER.



**THE 2022 HD MODEL FEATURES A NEW HEAVY DUTY GAS GAUGE**







**THE 2022 BC-8 HAS A NEW HEAVY DUTY TYPE CHAFF FAN. STARTING IN 2020 THE CHAFF FAN EXHAUST SIZE WAS INCREASED TO 120MM REQUIRING A 5" PIPE CONNECTION TO CHAFF UNIT. ALSO THE COOLING TRAY EXHAUST REQUIRES A 5" PIPE CONNECTION. YOU MAY WISH TO USE EITHER 5" PIPE OR USE A 5" TO 6" REDUCER PIPE AND USE STANDARD 6" EXHAUST PIPE FOR EACH EXHAUST. IF CHOOSING TO RUN THE TWO 5 OR 6" PIPES TOGETHER USING A BLAST DAMPER OR BACKDRAFT DAMPER YOU WILL THEN NEED TO INCREASE THE EXIT SIZE PIPE LIKELY TO 8". OF COURSE IF YOU CAN EVER RUN THE TWO PIPES OUT SEPARATELY THIS IS ALWAYS BETTER.**

**BC ROASTERS NOW COME IN 3 BODY COLORS:**  
**BLACK, RED & WHITE**



**BLACK BODY WITH BLACK  
CHECKERED HOUSING**



**RED BODY WITH GOLD  
CHECKERED HOUSING**

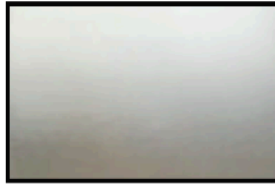


**WHITE BODY WITH  
ROSE GOLD HOUSING**

**SOLID COLORS**



**ROSE GOLD**



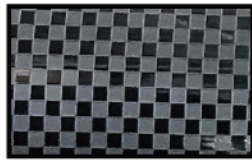
**STAINLESS**



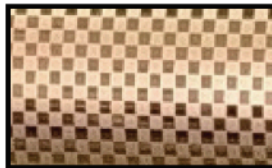
**BLACK TITANIUM**

**TEXTURED HOUSINGS**

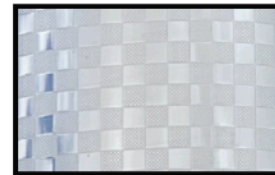
**CHECKERED**



**CHECKERED  
BLACK**



**CHECKERED  
GOLD**



**CHECKERED  
SILVER**

**NEW FOR 2021**

**SILVER  
RAINDROP**



**GOLD  
MOSAIC**



**BODY COLORS:**  
**BLACK, RED OR WHITE**

**SOLID HOUSING COLORS:** ROSE GOLD, BLACK TITANIUM, STAINLESS

**TEXTURE HOUSINGS:** CHECKERED GOLD, CHECKERED BLACK OR CHECKERED SILVER & NEW SILVER RAINDROP & GOLD MOSAIC!

## BC-8 COMMERCIAL COFFEE ROASTER

\*FLOOR MODEL WITH CASTER WHEELS  
 \*DIRECT CONNECT CHAFF UNIT FOR SMALLER FOOTPRINT  
 \*CHOICE GAS MODELS

<b>SIZE (LxWxH)</b>	52X34X62" (INCLUDES DIRECT CONNECT CHAFF UNIT IN MEASUREMENT)
<b>WEIGHT</b>	628LB
<b>MINIMUM CLEARANCE FROM COMBUSTABLE MATERIALS</b>	18-24"
<b>ROASTING CAPACITY</b>	2-8LB SINGLE WALL 1LB TO 8LB DOUBLE WALL
<b>ROAST TIME &amp; ROASTS PER HOUR</b>	9-14 MINUTES (5 ROASTS PER HOUR)
<b>DRUM INFORMATION</b>	<b>SW DRUM:</b> 5MM SUPERIOR 304SS CONTAINS 18% CHROMIUM AND 8% NICKEL <b>DW DRUM:</b> HAS TWO LAYERS OF 3MM + 2MM 304SS WITH 6MM OF AIR CUSHION. SS WELDING (TOTAL 11MM THICK)
<b>ELECTRIC STATS:</b>	<b>GAS MODEL:</b> SINGLE PHASE 220V 50/60HZ 610W REQUIRES STANDARD 15A BREAKER
<b>ELECTRICAL PLUG TYPE</b>	<b>GAS MODELS:</b> 20A 250V 3 WIRE NEMA 6-20P
<b>FUEL CHOICES ON GAS MODELS</b>	LPG GAS STANDARD WITH MODELS. NATURAL GAS CONVERSION KITS OFFERED FOR CUSTOMER INSTALLATION ONLY.
<b>BURNER INFORMATION ON GAS MODELS</b>	<b>2020 BURNERS:</b> 12 STANDARD HD BURNERS <b>2021 MODELS</b> 12 IN SW & 15 DW STANDARD HD BURNERS
<b>BTU REQUIRMENTS</b>	60,000 BTU MINIMUM REQUIRED FOR NG LINE
<b>GAS PRESSURE</b>	<b>LPG:</b> 12-16WC (3-4KPA) MARSHALL 1912/197 REGULATOR RECOMMENDED <b>NG:</b> 7-14WC

### COMPUTER DATA LOGGING VIA ARTISAN SOFTWARE

RECORD ROASTS VIA USB OR BLUETOOTH TO DUPLICATE PROFILES USING ARTISAN SOFTWARE.



BUCKEYE COFFEE IS A PROUD MONTHLY SPONSOR OF ARTISAN SOFTWARE

### ARTISAN SOFTWARE

Do your part to Keep Artisan Alive and Well.

Donate to Artisan Here:

<https://artisan-scope.org/donate/>

DO YOUR PART!

### CONSIDER ARTISAN PLUS

<https://shop.artisan.plus>



artisan+

<b>EXHAUST SETUP</b>	
<b>EXHAUST PIPE REQUIREMENTS</b>	POSITIVE PRESSURE EXHAUST VENTING WITH MINIMUM CLEARANCE 18-24" FROM COMBUSTABLE MATERIALS
<b>MAXIMUM VENTING LENGTHS</b>	20-25' FROM CHAFF UNIT. DEDUCT 3-5' FOR 45-90 DEGREE PIPE ELBOWS. IF YOU MUST VENT AT LONGER LENGTHS CONSULT A LOCAL TECHNICIAN ON USE OF POSSIBLE BOOSTER FANS
<b>MAXIMUM EXHAUST TEMPERATURES</b>	425-475F
<b>CHAFF UNIT HIGH TEMP.</b>	300-350F
<b>COOLING TRAY HIGH TEMP.</b>	200F
<b>DATA LOGGING VIA ARTISAN OR CROPSTER</b>	BUILT IN DATA LOGGER ATTACHES TO COMPUTER (PC OR MAC) VIA USB OR BLUETOOTH
<b>K TYPE THERMOCOUPLES</b>	BT & ET WITH TWO ADDITIONAL PREDRILLED CAPPED THREADED HOLES TO ADD OR ADJUST LOCATION OF PROBES
<b>MANUFACTURED IN CHINA FOR BC ROASTERS</b>	CUSTOM BUILT FOR BC SPECS IN USA AND OVER 200 LANDS



FOR MORE INFORMATION SEE:

[BCROASTERS.COM](http://BCROASTERS.COM)

[HTTP://WWW.BUCKEYECOFFEE.COM/BC-COFFEE-ROASTERS.HTML](http://WWW.BUCKEYECOFFEE.COM/BC-COFFEE-ROASTERS.HTML)

**BC ROASTERS**  
**BUCKEYE, ARIZONA 85326**  
**TONOPAH, ARIZONA 85354**

**TOLL FREE: 844.522.6333**  
**[INFO@BUCKEYECOFFEE.COM](mailto:INFO@BUCKEYECOFFEE.COM)**  
**[INFO@BCROASTERS.COM](mailto:INFO@BCROASTERS.COM)**