



Features

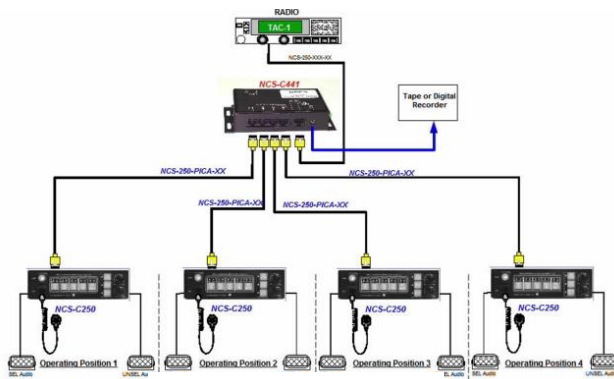
- ⊗ Used in Parallel Configurations where a radio is shared between multiple operators
- ⊗ One Radio Input
- ⊗ Four outputs to connect to NCS-C200 & NCSC250/C251
- ⊗ PTT Lock-out
- ⊗ Audible indication to Locked Out Operators
- ⊗ Output to record all transmit and receive audio
- ⊗ Units can be placed in series to service more than four NCS switchers

The NCS-C441 Multi-Switcher Combiner is used to share a single radio with up to 4 NCS-C200 & NCS-C250/C251s when multiple operating positions require sharing of radios.

A PTT lockout feature is provided to prevent operators at different operating positions from transmitting simultaneously. During operation, all operator consoles get Receive Audio from the radio. Only one operator can transmit on the radio at a time. If one operator is transmitting, any other operator attempting to transmit will be locked out, no microphone audio will be sent to the radio and a beeping will be heard in the switcher's Selected Audio channel. All switchers that are not transmitting will hear the transmit audio as well as the receive audio from the radio.

A PTT Fault circuit is also included. When the system is powered up the unit will check for stuck PTT lines. If a "stuck mic" is detected, the red PTT Fault LED will remain on and an alarm tone will be sent to the switcher with the stuck mic or PTT line.

A Record Output provides transmit and receive audio from the connected radio for logging purposes.



Typical Application

General Specifications

Dimensions (approximate): 1.375" H x 6.125" W x 2.875" D

Weight: 7.8 oz

Temperature Range: 0° to +50°C

Power Requirements: + 12 to +15 VDC @ 50mA typical