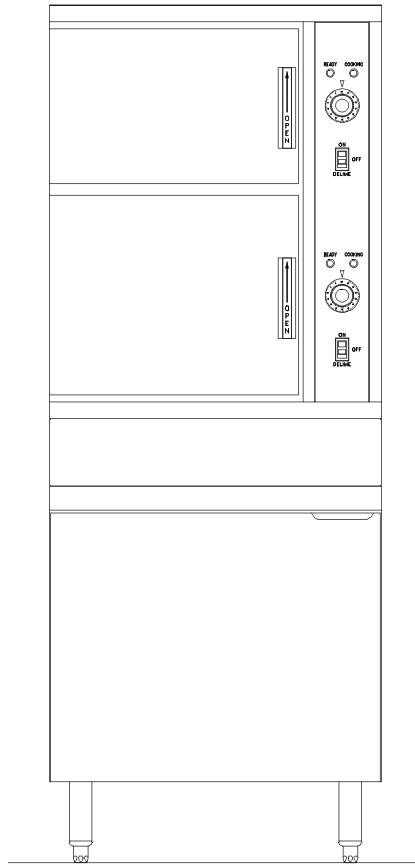


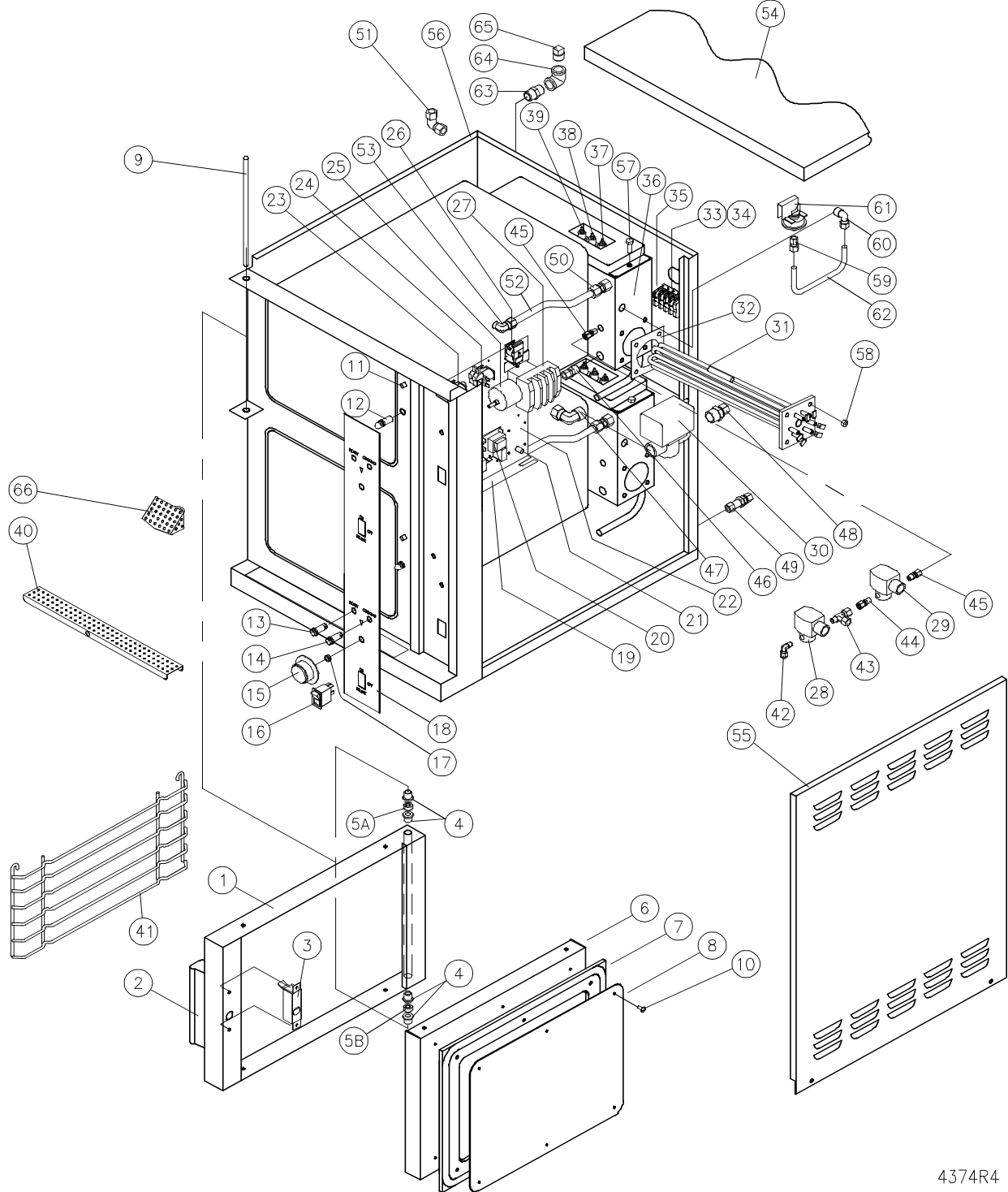
PARTS LIST
ELECTRIC CONVECTION STEAMER
MODELS: SX-34EC
SX-55EC
SX-34EO
SX-55EO



WWW.SOLARISSTEAM.COM

PARTS LIST, ELECTRIC CONVECTION STEAMER,
 MODELS: SX-34EC, SX-34EO, SX-55EC, SX-55EO

FIGURE 1



PARTS LIST, ELECTRIC CONVECTION STEAMER,
 MODELS: SX-34EC, SX-34EO, SX-55EC, SX-55EO

FIGURE 1

<u>ITEM</u>	<u>PART NO.</u>	<u>DESCRIPTION</u>	<u>SX-34</u>	<u>SX-55</u>
*	1A	8-5076-9 Door Assembly (Top)	1	
		8-5076-7 Door Assembly (Lower)	1	
		8-5076-8 Door Assembly		2
	1	8-5060-9 Door Frame (Top)	1	
		8-5060-7 Door Frame (Lower)	1	
		8-5060-8 Door Frame		2
	2	8-5066-9 Door Handle Assembly	2	2
*		9-3320 Door Handle Decal	2	2
*		4090-1 Door Handle	2	2
*		4089-1 Door Handle Plate	2	2
*		1-57S7 Socket Set Screw, 1/4- 20 x 1-3/4	2	2
*		1-56S6 Socket Set Screw, 1/4 - 20 x 3/4	1	1
*		4088-1 Spacer	2	2
*		2-W0S2 Lock Washer, 1/4	2	2
*		1-59SO Hex Nut, 1/4 - 20	2	2
	3	8-5068-9 Latch Assembly	2	2
	4	8-5078 Door Bushing	8	8
	5A	5716-1 Spacer - Upper	2	2
	5B	5717-1 Spacer - Lower	2	2
	6	8-5065-9 Door Panel (Top)	1	
		8-5065-7 Door Panel (Lower)	1	
		8-5065-8 Door Panel		2
	7	8-5063-9 Door Gasket (Top)	1	

PARTS LIST, ELECTRIC CONVECTION STEAMER,
 MODELS: SX-34EC, SX-34EO, SX-55EC, SX-55EO

<u>ITEM</u>	<u>PART NO.</u>	<u>DESCRIPTION</u>	<u>SX-34</u>	<u>SX-55</u>
7	8-5063-7	Door Gasket (Lower)	1	
	8-5063-8	Door Gasket		2
8	8-5064-9	Gasket Plate (Top)	1	
	8-5064-7	Gasket Plate (Lower)	1	
	8-5064-8	Gasket Plate		2
9	3977-1	Hinge Rod	1	
	3977-2	Hinge Rod		1
*	9-3367	Stainless Steel Washer	1	1
10	9-1011-1	Gasket Panel Screws	14	16
11	9-3336	Actuator c/w Retaining Ring	2	2
*	9-3213	Door Switch	2	2
12	8-5021	Striker	2	2
*	8-5022	Stainless Steel Washer	2	2
*	1-90SO	Lock Washer	2	2
*	1-99SO	Hex Nut	2	2
13	4-PL04-1	Pilot Light - Green	2	2
14	4-PL07-1	Pilot Light - Red	2	2
**	4103-1	Dial (60 Minutes, 50 Hz)	2	2
	4104-1	Dial (60 Minutes)	2	2
	4105-1	Dial (120 Minutes)	2	2
16	9124-1	Power Switch	2	2
17	9109-1	Rotary Shaft Seal	2	2
**	7345-1	Control Decal	1	
	7346-1	Control Decal		1
19	2958-1	Component Mounting Board	2	2

PARTS LIST, ELECTRIC CONVECTION STEAMER,
 MODELS: SX-34EC, SX-34EO, SX-55EC, SX-55EO

<u>ITEM</u>	<u>PART NO.</u>	<u>DESCRIPTION</u>	<u>SX-34</u>	<u>SX-55</u>	
**	20	4038-3	Level Control, 10K OHM	2	2
		5230-2	Level Control, 1M OHM	4	4
	21	9126-1	Operating Thermostat	2	2
	22	9128-1	Safety Thermostat	2	2
	23	9-3175	Relay, Single Pole, 240V	2	2
	24	9-3174	Relay, Double Pole, 240V	2	2
**	25	4-T209-1	Timer (60 Minutes)	2	2
		4-T212	Timer (120 Minutes)	2	2
	26	4742-1	Buzzer, 240V	2	2
**	27	4916-1	Contactor (208, 220, 240V)	2	2
		4-NG41	Contactor (380, 415, 480, 600V)	2	2
	28	5162-2	Cooling Solenoid, 240V	2	
		3-1175	Cooling Solenoid, 240V		2
	29	5162-2	Fill Solenoid, 240V	2	2
	30	3-S543-1	Drain Solenoid, 240V	2	2
**	31	8-5208	Element Assembly, 7.5 kW, 208V, (Top)	1	
		8-5220	Element Assembly, 7.5 kW, 220V, (Top)	1	
		8-5240	Element Assembly, 7.5 kW, 240V, (Top)	1	
		8-5287	Element Assembly, 7.5 kW, 480V, (Top)	1	
		8-5347	Element Assembly, 7.5 kW, 600V, (Top)	1	
		8-5050	Element Assembly, 10 kW, 208V, (Lower)	1	
		8-5056	Element Assembly, 10 kW, 220V, (Lower)	1	
		8-5051	Element Assembly, 10 kW, 240V, (Lower)	1	
		8-5052	Element Assembly, 10 kW, 480V, (Lower)	1	

PARTS LIST, ELECTRIC CONVECTION STEAMER,
 MODELS: SX-34EC, SX-34EO, SX-55EC, SX-55EO

<u>ITEM</u>	<u>PART NO.</u>	<u>DESCRIPTION</u>	<u>SX-34</u>	<u>SX-55</u>
**	31	8-5347-1	Element Assembly, 10 kW, 600V, (Lower)	1
		8-5053	Element Assembly, 15 kW, 208V	2
		8-5054	Element Assembly, 15 kW, 220V	2
		8-5055	Element Assembly, 15 kW, 240V	2
		8-5057	Element Assembly, 15 kW, 480V	2
		8-5347-2	Element Assembly, 15 kW, 600V	2
	32	8-5092	Element Gasket	2 2
**	33	4-33TB	Terminal Block Section	4 4
*		4980-036	Terminal Block Rail	1 1
		4-33TB	Terminal Block Section, 380, 415, 480, 600V	3 3
*		4980-030	Terminal Block Rail	1 1
	34	4-33ES	End Section	1 1
	35	4-70EU	Ground Lug	1 1
	36	6947-1	Generator Tank	2 2
*		2906-1	Tank Cover	2 2
*		9-3214	Tank Gasket	2 2
	37	3738-3	Probe 5" (Low Level Cut Off)	2 2
	38	3738-2	Probe 4.25" (Low Level)	2 2
	39	4-LLP2	Probe 3.6875" (High Level)	2 2
	40	8-5023	Perforated Trough	1 1
	41	2681-1	Pan Rack (Upper)	2
		2681-2	Pan Rack (Lower)	2
		2681-3	Pan Rack	4
*		4721-1	Rack Pin Assembly	8 8

PARTS LIST, ELECTRIC CONVECTION STEAMER,
 MODELS: SX-34EC, SX-34EO, SX-55EC, SX-55EO

<u>ITEM</u>	<u>PART NO.</u>	<u>DESCRIPTION</u>	<u>SX-34</u>	<u>SX-55</u>
	42	3-694A Elbow, 1/4C x 1/8 MPT	2	2
	43	3-716A Tee 3/8C x 1/8 MPT	2	2
	44	3-686A Connector, 3/8C x 1/8 MPT	2	2
	45	3-684A Connector, 1/4C x 1/8 MPT	4	4
	46	2-686C Thermostat Fitting, 3/8C x 3/8 MPT	2	2
	47	3-698E Elbow, 1/2C x 3/4 MPT	2	2
	48	3-688E Connector, 1/2C x 3/4 MPT	2	2
	49	3-776 Water Connection, 3/8C	1	1
	50	3-628 Union Coupling, 1/2C	2	2
	51	3-658 Elbow, 1/2C	2	2
**	52	5189-1 Right Hand Steam Tube, 1/2" Diameter	2	2
		5190-1 Left Hand Steam Tube, 1/2" Diameter	2	2
	53	3-698B Elbow, 1/2C x 1/4 MPT	4	4
*		3502-1 Steam Diverter	4	4
	54	B2279 Top	1	1
	55	6419-1 Side Panel	1	
		6420-1 Side Panel		1
	56	6417-1 Left Hand Side and Back Panel	1	
		6418-1 Left Hand Side and Back Panel		1
*		9084-1 Nut Cage, 1/4 - 20	2	2
	57	1-65S8 Hex Bolt, 5/16-18 x 1	4	4
	58	1-59S0 Hex Nut, 1/4 - 20	8	8
	59	3-666A Connector, 3/8C x 1/8 FPT	2	2
	60	3-696C Elbow, 3/8C x 3/8 MPT	2	2

PARTS LIST, ELECTRIC CONVECTION STEAMER,
 MODELS: SX-34EC, SX-34EO, SX-55EC, SX-55EO

<u>ITEM</u>	<u>PART NO.</u>	<u>DESCRIPTION</u>	<u>SX-34</u>	<u>SX-55</u>	
	61	5445-1	Pressure Switch, 5 PSI	2	2
	62	5494-1	Copper Tube, 3/8"	2	2
	63	3-122D	Brass Nipple, 1/2 - 14	2	2
	64	3-100D	Brass Elbow, 1/2 - 14	2	2
	65	3-121S-D	Brass Plug, 1/2 - 14, Hex Head	2	2
	66	5224-1	Compartment Strainer	2	2
* **	67	9001-2	Fuse, 600V, 1/2 A, (380 - 600V)	2	2
		9092-2	Fuse 2A, 250V (208, 220, 240V)	4	4
		9092-2	Fuse 2A, 250V (380/220, 415/240V)	2	2
* **	68	9068-1	Fuse Holder (208, 220, 240V)	4	4
		9068-1	Fuse Holder (380/220, 415/240)	2	2
		9002-1	Fuse Holder (380, 425, 480, 600V)	4	4
* **	69	4-T255	Transformer 480 - 240V, 60 Hz, 100 VA	2	2
		4-T251	Transformer 380/415 -240V, 50/60 Hz, 100 VA	2	2
		4-T260	Transformer 600 - 240V, 60 Hz, 100 VA	2	2
*	70	6349-1	Wiring Harness, Control Circuit	2	2
		6349-4	Wiring Harness, Load Circuit	2	2
*	71	6371-1	Cabinet Assembly (EC Models Only)	1	1
		7230-1	Cabinet Door	1	1
		5-MC02	Magnetic Catch	1	1
		6554-1	Pan Guide, Right Hand	1	1
		6554-2	Pan Guide, Left Hand	1	1

* NOT SHOWN.

** SELECT AS REQUIRED.

PARTS LIST, ELECTRIC CONVECTION STEAMER,
MODELS: SX-34EC, SX-34EO, SX-55EC, SX-55EO

WIRING DIAGRAMS:

3E-15030	208, 220, 240V, 10K OHM
3E-15031	380, 415, 480, 600V, 10K OHM
3E-15032	380/220, 425/240V, 10K OHM
3E-15033	208, 220, 240V, 1M OHM
3E-15034	380, 415, 480, 600V, 1M OHM
3E-15035	380/220, 425/240V, 1M OHM