

# BUSHING

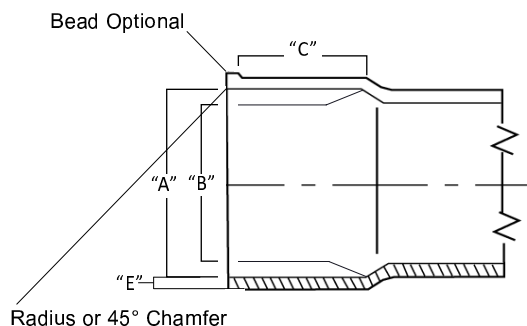
# TECHNICAL INFORMATION

### Fittings Socket Dimensions - Inches

Nominal Size	A	B	C
3"	3.271±0.008	3.245±0.008	1.50
4"	4.235±0.009	4.210±0.009	1.75

### Pipe Dimensions Minimum Wall Thickness

Outside Diameter		SDR 35	
Nominal Size	Average	Tolerance on Average	E
3"	3.250	±0.008	0.100
4"	4.215	±0.009	0.120



## Bushing

### Sewer Spigot x Sewer Hub

Part #	Size	Desc.	D	F
V-1143	4x3"	Flush	3.271	4.215



V-1143



V-2064

Normandy Products are proudly  
made in the USA.

