



DESK WITH INFLUENCE PODIUM

Instructor desks featuring the Influence mobile adjustable-height podium are the perfect fit for today's interactive learning spaces. Classrooms and teaching styles have evolved to facilitate group learning and collaboration. Give your teachers another tool in their arsenal to create a flexible and interactive learning environment.

The fixed desk gives instructors a place to work while the Influence adjustable-height podium with a fast and simple to use pneumatic mechanism, allows users to opt how to use the table: seated for meeting with a small group, or standing while facilitating a presentation.

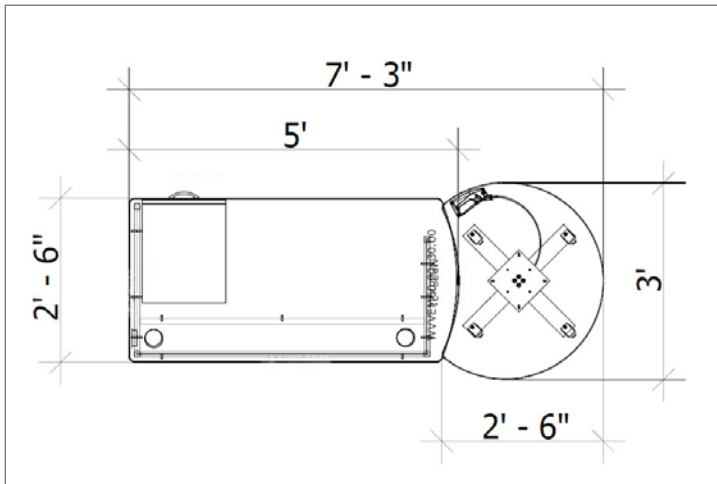
FEATURES

- Podium nests with desk to create a larger work area
- Podium size: 30" D x 36" W x 27.5-45" H
- Desk size: 30" D x 60" W x 30" H
- Mobile box/box/file pedestal
- 1.25" thick worksurface with HPL laminate, balancing-backer sheet, and 3MM edge
- MAS[®] Certified Green
- Limited lifetime warranty
- Made in the USA

OPTIONS

- Additional desk and podium sizes available
- Desk can be fixed or mobile
- Small accessory storage tray for mobile podium
- Numerous color options (to view, visit the Resources Section at interiorconcepts.com)

EXAMPLES



MODEL	DESCRIPTION	DESK SIZE
IC154534P5	Fixed Desk with Influence Podium, Cable Trough	30" x 60" x 30" H
IC154534P6	Fixed Desk with Influence Podium, Chase Wire Mgmt	30" x 60" x 30" H
IC154534P9	Mobile Desk with Influence Podium, Cable Trough	30" x 60" x 30" H
IC154534P10	Mobile Desk with Influence Podium, Chase Wire Mgmt	30" x 60" x 30" H

Interior Concepts™
solutions that fit.

FIRST
TECHNOLOGIES INC.
Putting Education ... **FIRST**

Toll Free:	800-787-9717	Email: info@firstechd.com www.firstechd.com
Phone:	262-753-6900	
Fax:	262-753-6901	

WE'RE 