

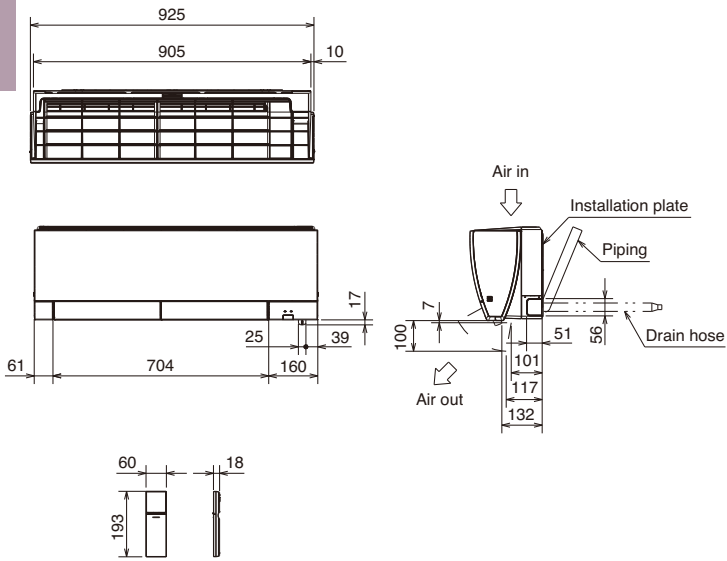
# External Dimensions

## M SERIES

Unit : mm

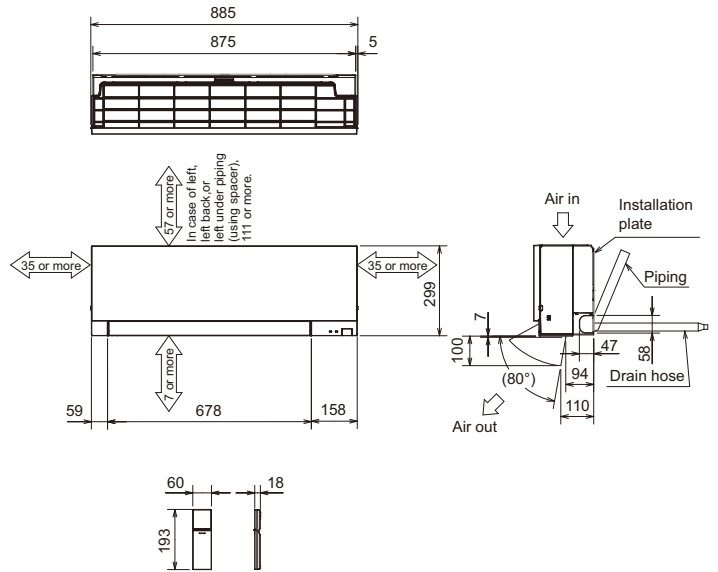
MSZ-FH25VE MSZ-FH35VE MSZ-FH50VE

### INDOOR UNIT



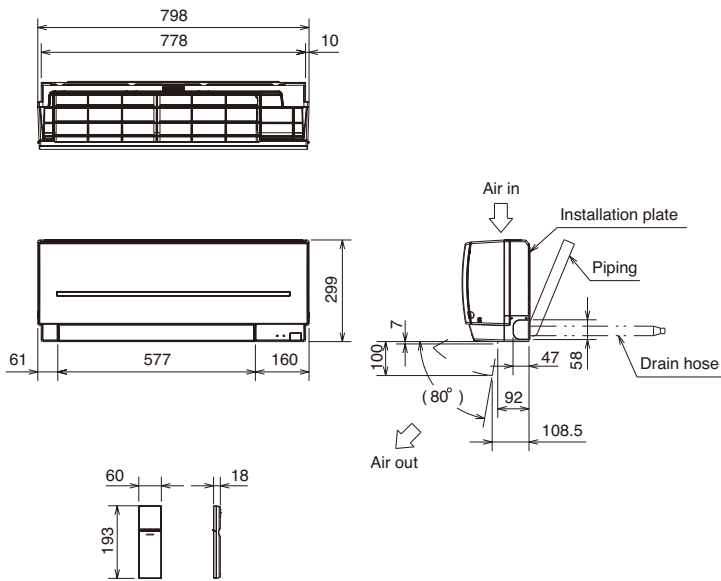
MSZ-EF18VE2(W)(B)(S) MSZ-EF22VE2(W)(B)(S)  
MSZ-EF25VE2(W)(B)(S) MSZ-EF35VE2(W)(B)(S)  
MSZ-EF42VE2(W)(B)(S) MSZ-EF50VE2(W)(B)(S)

### INDOOR UNIT



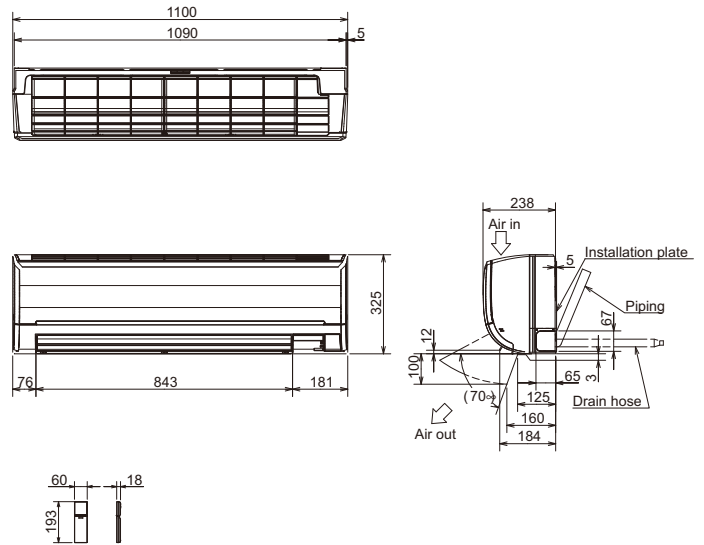
MSZ-SF25VE MSZ-SF35VE MSZ-SF42VE MSZ-SF50VE

### INDOOR UNIT



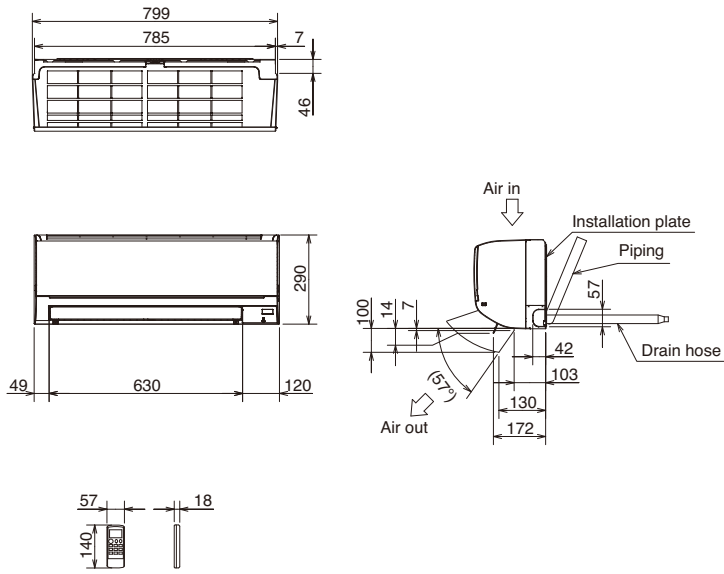
MSZ-GF60VE MSZ-GF71VE

### INDOOR UNIT



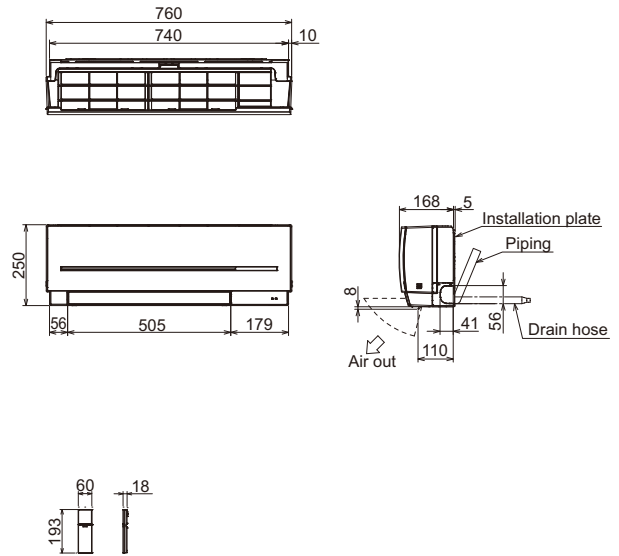
**MSZ-HJ25VA MSZ-HJ35VA MSZ-HJ50VA**

**INDOOR UNIT**



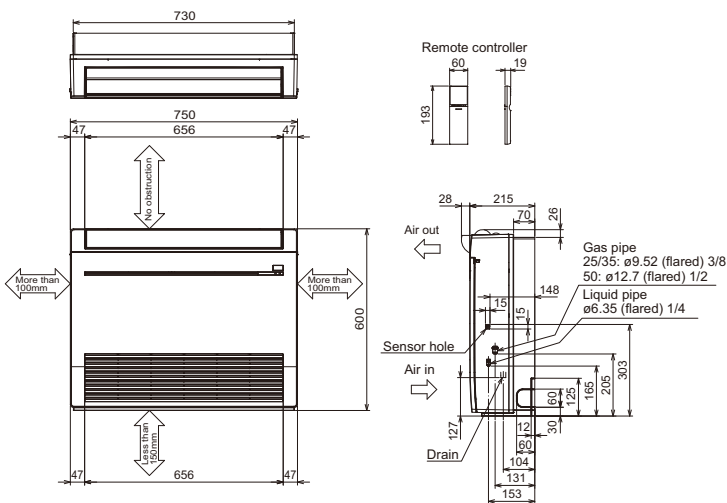
**MSZ-SF15VA MSZ-SF20VA**

**INDOOR UNIT**



**MFZ-KJ25VE MFZ-KJ35VE MFZ-KJ50VE**

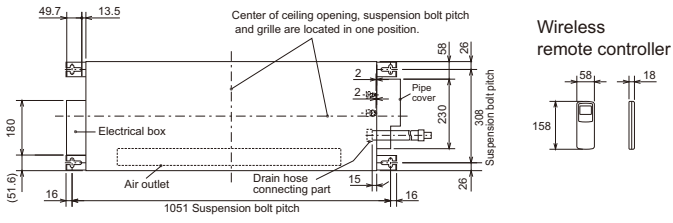
**INDOOR UNIT**



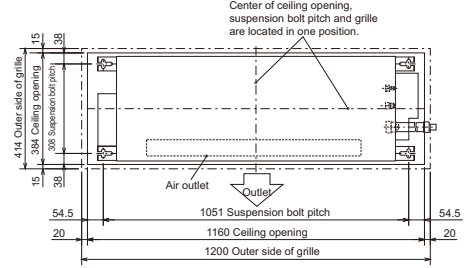
**MLZ-KA25VA MLZ-KA35VA MLZ-KA50VA**

**INDOOR UNIT**

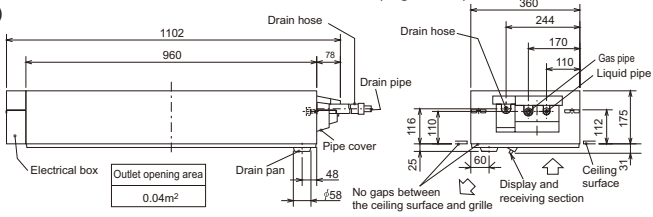
(Top)



(Top)

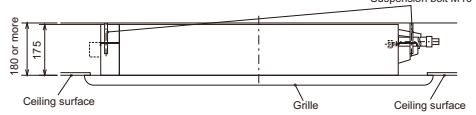


(Front)

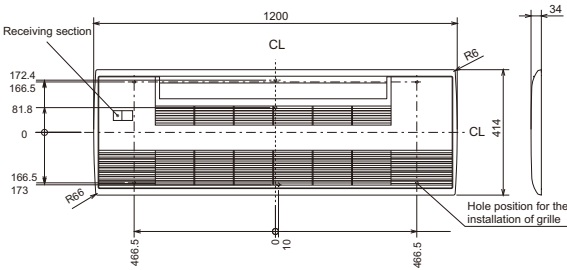


(Right side)

(Front)

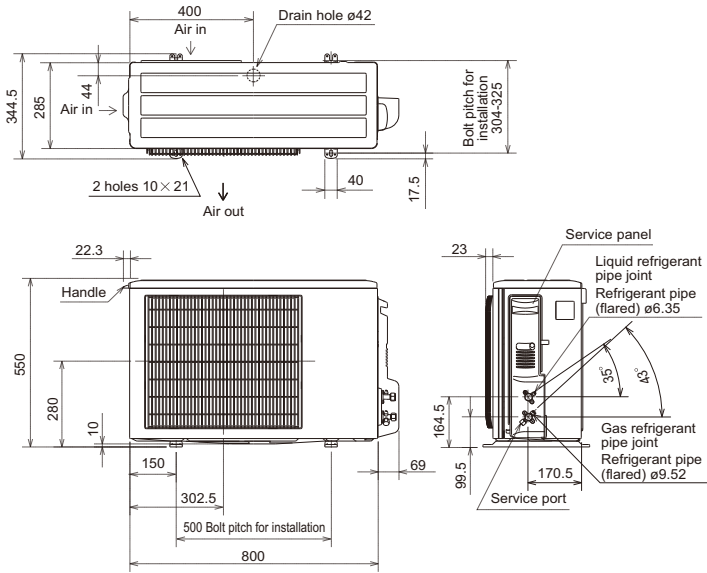


**Grille (MLP-440W)**



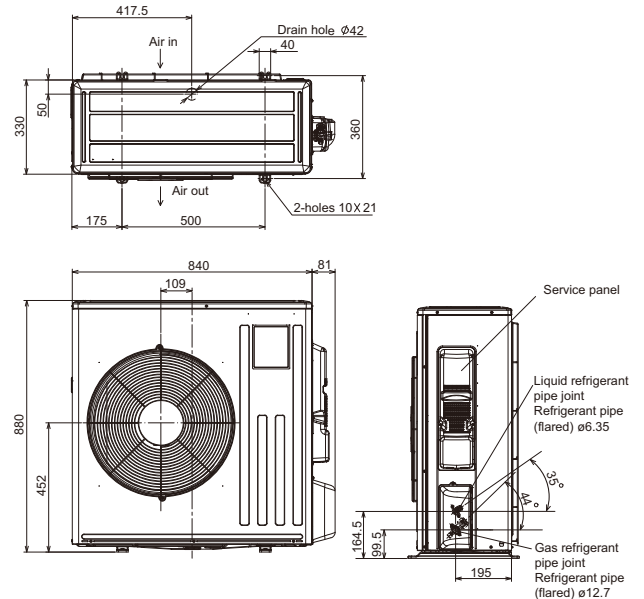
MUZ-FH25VE MUZ-FH35VE  
 MUZ-FH25VEHZ MUZ-FH35VEHZ  
 MUZ-EF25VE MUZ-EF25VEH  
 MUZ-EF35VE MUZ-EF35VEH  
 MUZ-EF42VE  
 MUZ-SF25VE MUZ-SF25VEH MUZ-SF35VE  
 MUZ-SF35VEH MUZ-SF42VE MUZ-SF42VEH  
 MUZ-HJ50VA  
 MUFZ-KJ25VE MUFZ-KJ35VE  
 MUFZ-KJ25VEHZ MUFZ-KJ35VEHZ

**OUTDOOR UNIT**



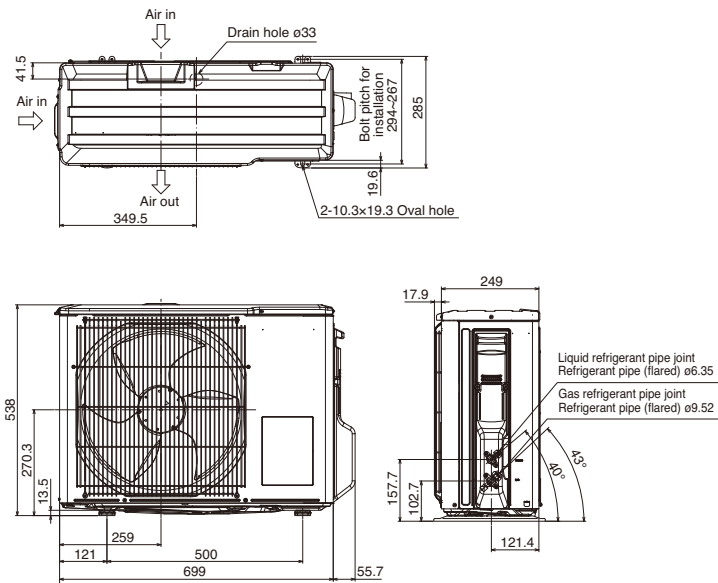
MUZ-FH50VE MUZ-FH50VEHZ  
 MUZ-EF50VE  
 MUZ-SF50VE MUZ-SF50VEH  
 MUZ-GF60VE MUZ-GF71VE  
 MUFZ-KJ50VE MUFZ-KJ50VEHZ

**OUTDOOR UNIT**



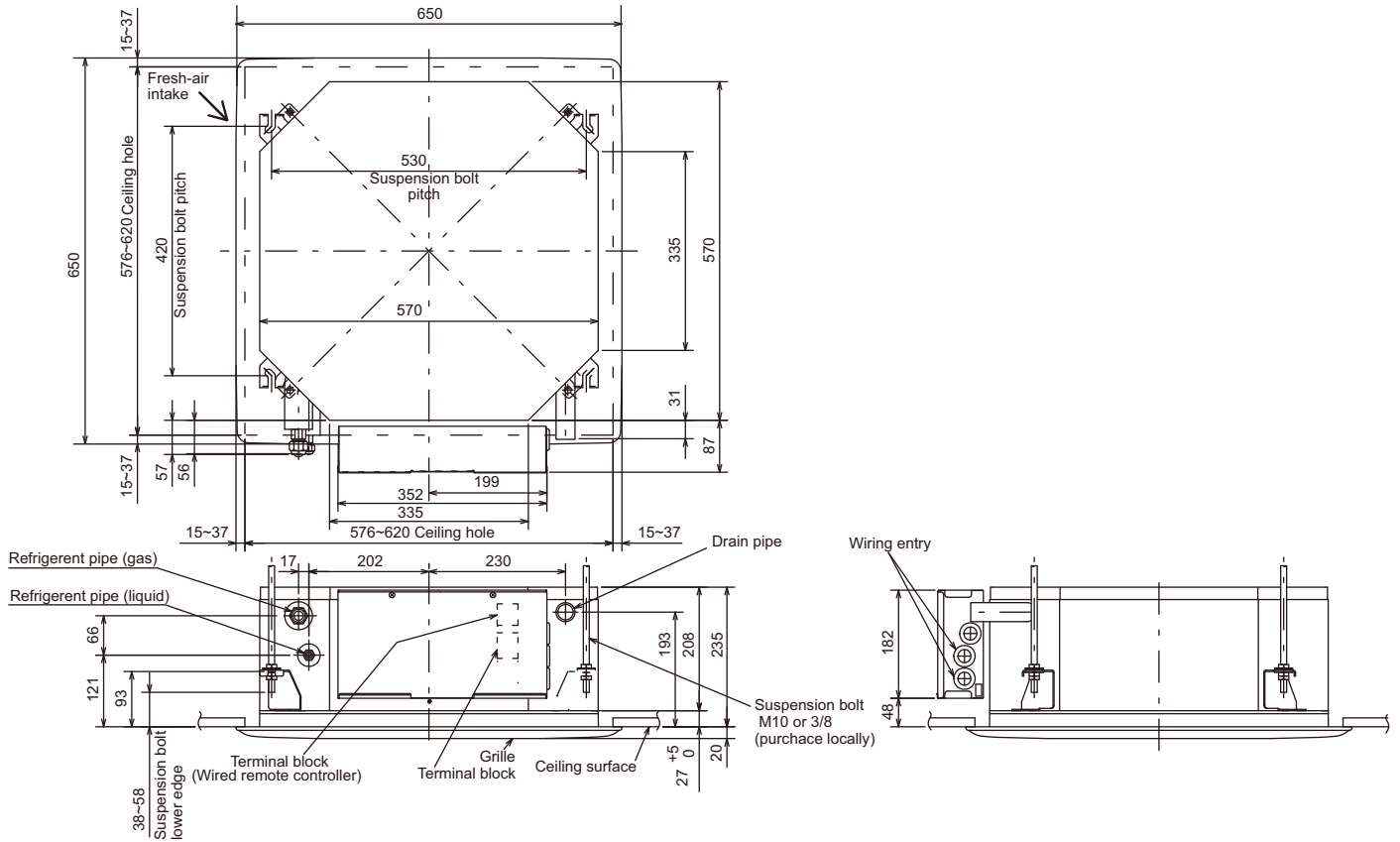
MUZ-HJ25VA MUZ-HJ35VA

**OUTDOOR UNIT**



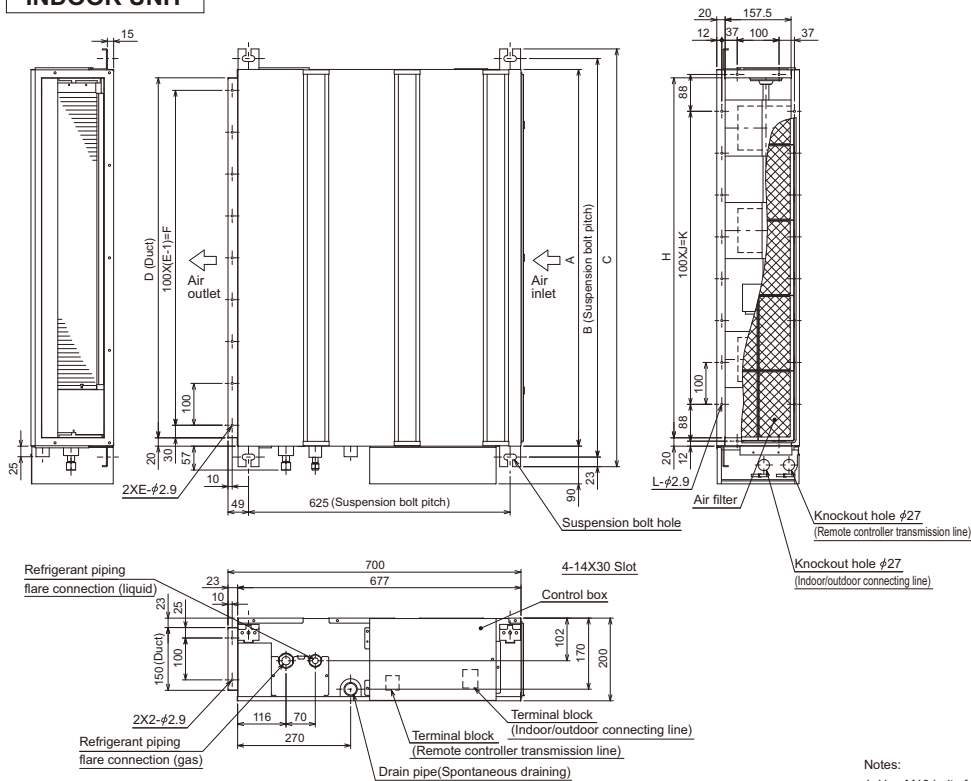
SLZ-KA25VAQ2 SLZ-KA35VAQ SLZ-KA50VAQ  
SLZ-KA25VAL2 SLZ-KA35VAL SLZ-KA50VAL

INDOOR UNIT



SEZ-KD25VAQ SEZ-KD35VAQ SEZ-KD50VAQ SEZ-KD60VAQ SEZ-KD71VAQ  
SEZ-KD25VAL SEZ-KD35VAL SEZ-KD50VAL SEZ-KD60VAL SEZ-KD71VAL

INDOOR UNIT



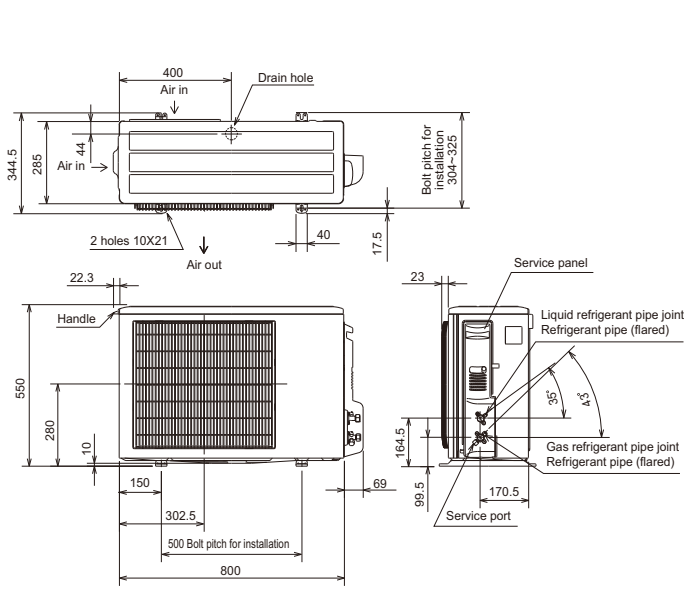
Notes:

1. Use M10 bolts for suspension (purchase locally).
2. Keep service space for maintenance at the bottom.
3. This chart is based on the SEZ-KD50VAL/VAQ, which has three fans.  
SEZ-KD25, 35VAL/VAQ has two fans, and SEZ-KD60, 71VAL/VAQ has four fans.
4. If an inlet duct is used, remove the air filter supplied with the unit, and install a locally purchased filter on the suction side.

Model	A	B	C	D	E	F	G	H	J	K	L
SEZ-KD25VAL/VAQ	700	752	798	660	7	600	800	660	5	500	16
SEZ-KD35VAL/VAQ	900	952	998	860	9	800	1000	860	7	700	20
SEZ-KD50VAL/VAQ	1100	1152	1198	1060	11	1000	1200	1060	9	900	24

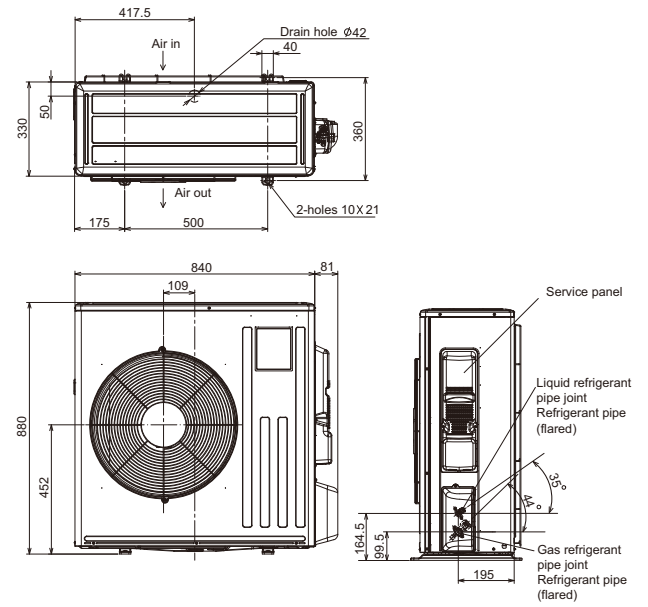
SUZ-KA25VA4 SUZ-KA35VA4

OUTDOOR UNIT



SUZ-KA50VA4 SUZ-KA60VA4 SUZ-KA71VA4

OUTDOOR UNIT

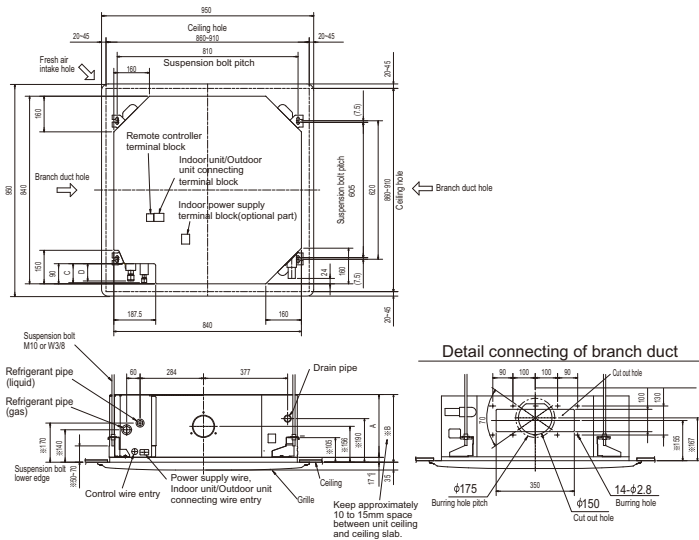


PLA-RP35BA PLA-RP50BA PLA-RP60BA PLA-RP71BA  
 PLA-RP100BA PLA-RP125BA PLA-RP140BA2  
 PLA-ZRP35BA PLA-ZRP50BA PLA-ZRP60BA PLA-ZRP71BA  
 PLA-ZRP100BA PLA-ZRP125BA PLA-ZRP140BA

PKA-RP35HAL PKA-RP50HAL

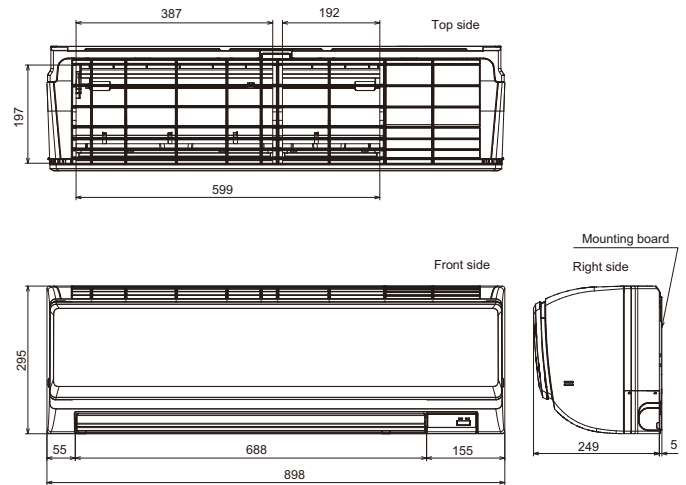
INDOOR UNIT

INDOOR UNIT



Models	A	B	C	D	E
PLA-RP35/50BA			80		
PLA-RP60BA	241	258	87	74	400
PLA-RP71BA					
PLA-RP100, 125BA PLA-RP140BA2	281	298	85	77	440

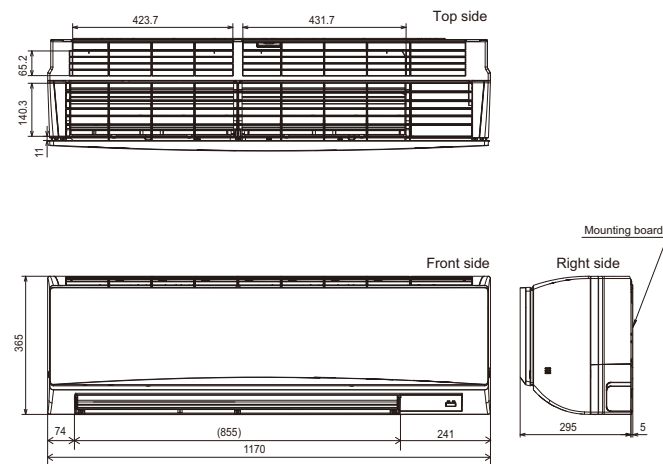
Models	A	B	C	D	E
PLA-ZRP15BA			80		
PLA-ZRP50BA	241	258	87	74	400
PLA-ZRP60BA					
PLA-ZRP71BA					
PLA-ZRP100BA	281	298	85	77	440
PLA-ZRP125BA					
PLA-ZRP140BA					



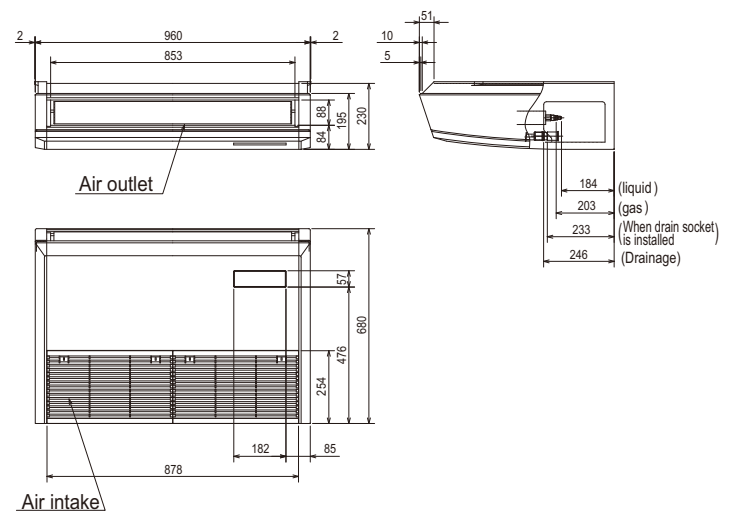
PKA-RP60KAL PKA-RP71KAL PKA-RP100KAL

PKA-RP35KAQ PKA-RP50KAQ

INDOOR UNIT

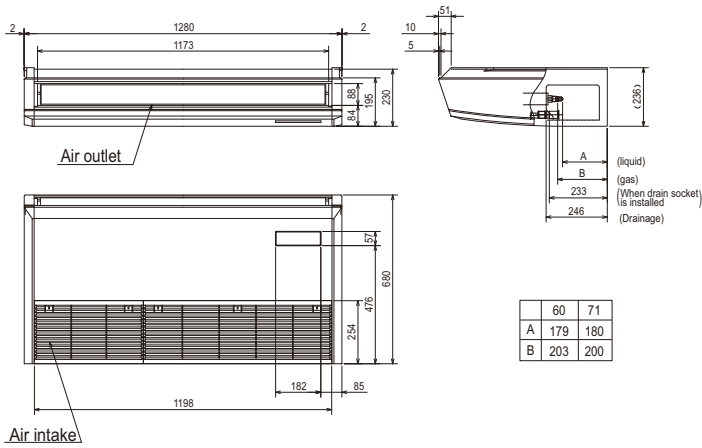


INDOOR UNIT



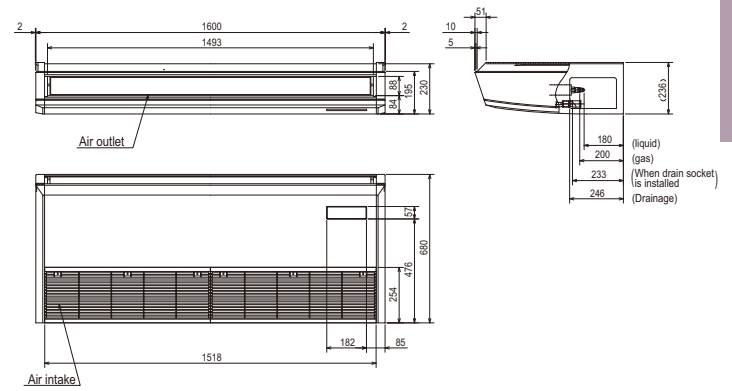
PCA-RP60KAQ PCA-RP71KAQ

INDOOR UNIT



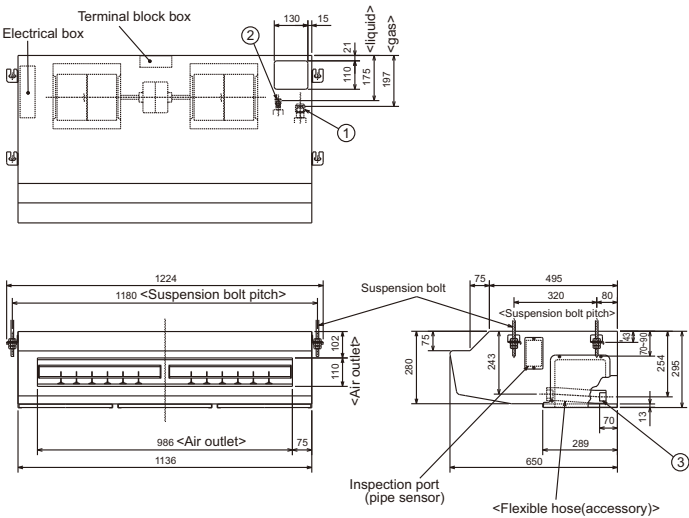
PCA-RP100KAQ PCA-RP125KAQ PCA-RP140KAQ

INDOOR UNIT



PCA-RP71HAQ

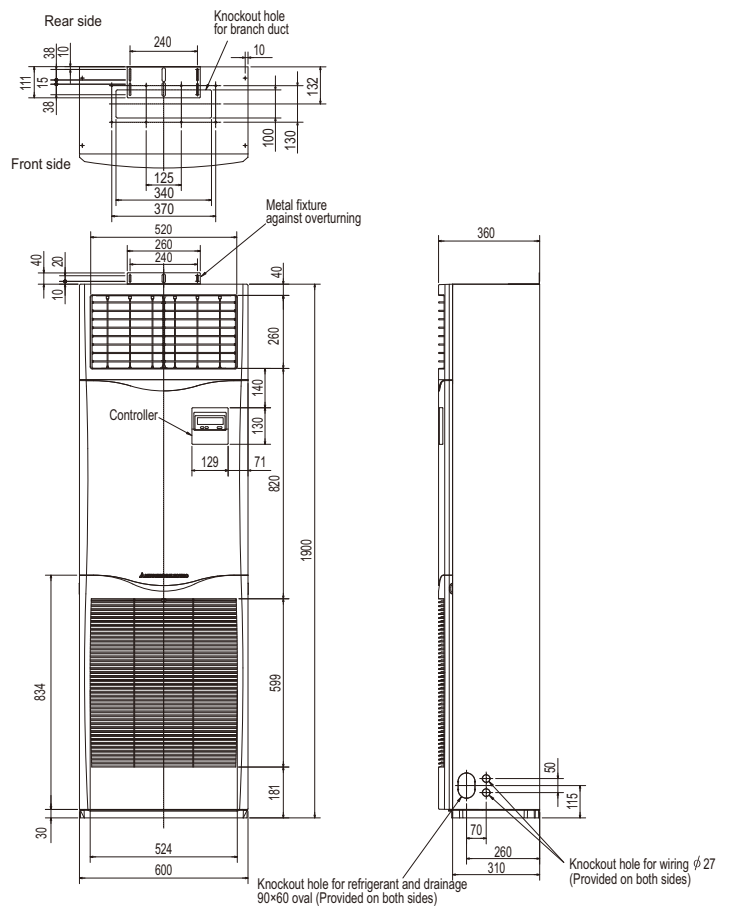
INDOOR UNIT



- ① Refrigerant pipe connection(gas pipe side/flared connection)
- ② Refrigerant pipe connection(liquid pipe side/flared connection)
- ③ Flexible hose(accessory) — Drainage pipe connection

PSA-RP71KA PSA-RP100KA PSA-RP125KA PSA-RP140KA

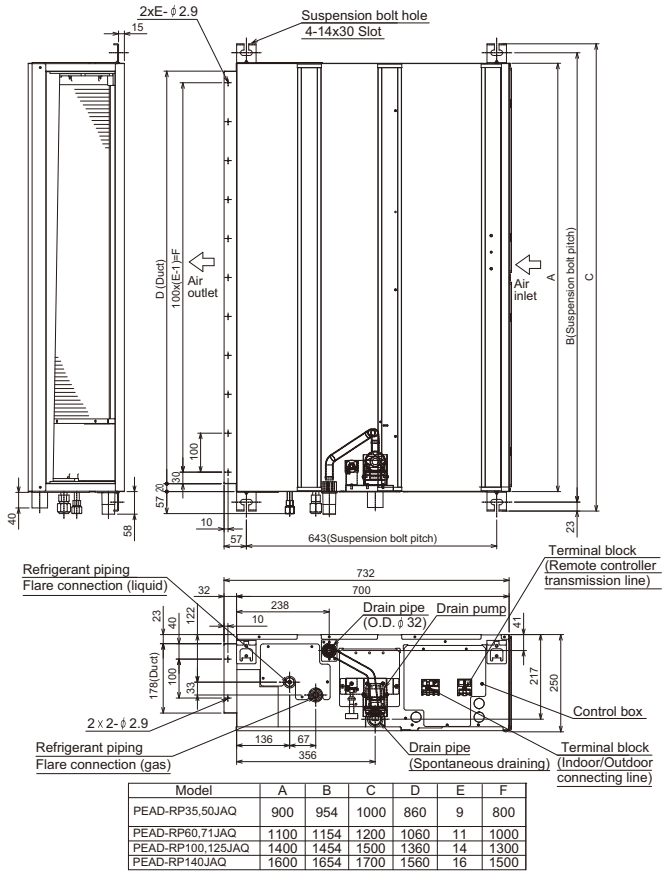
INDOOR UNIT





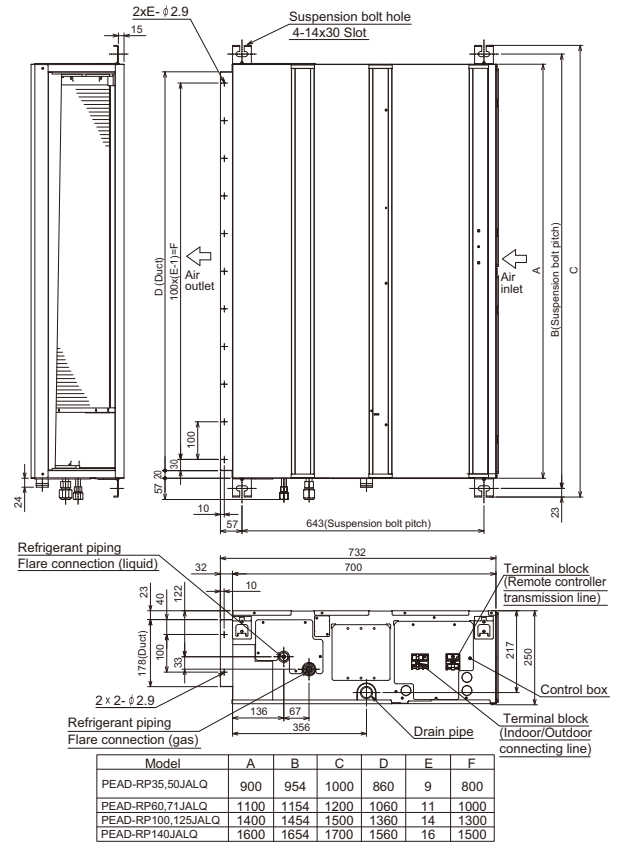
**PEAD-RP35JAQ PEAD-RP50JAQ PEAD-RP60JAQ PEAD-RP71JAQ  
PEAD-RP100JAQ PEAD-RP125JAQ PEAD-RP140JAQ**

**INDOOR UNIT**



**PEAD-RP35JALQ PEAD-RP50JALQ PEAD-RP60JALQ  
PEAD-RP71JALQ PEAD-RP100JALQ PEAD-RP125JALQ  
PEAD-RP140JALQ**

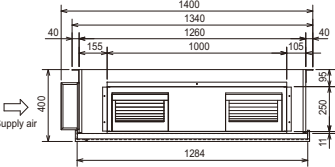
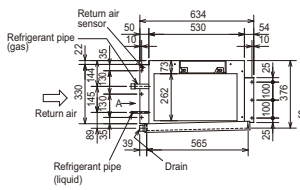
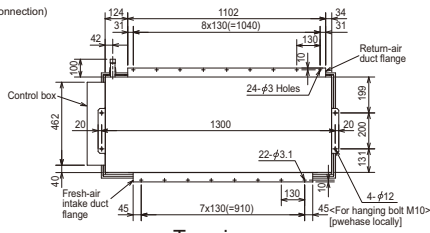
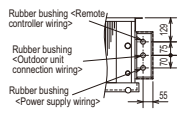
**INDOOR UNIT**



**PEA-RP200GAQ**

**INDOOR UNIT**

<Accessory>  
 Pipe cover.....2pcs.  
 (For dew condensation prevention of local piping and unit connection)  
 Remote controller.....1pc.



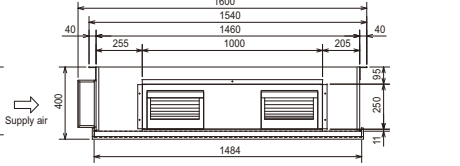
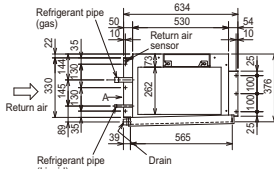
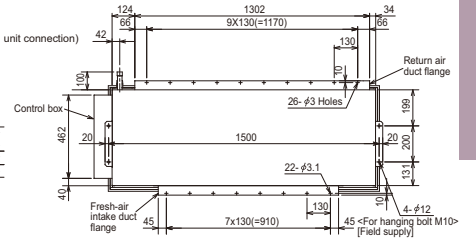
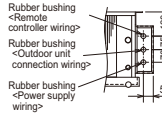
Left view

Front view

**PEA-RP250GAQ**

**INDOOR UNIT**

<Accessory>  
 Pipe cover.....2pcs.  
 (For dew condensation prevention of local piping and unit connection)  
 Remote controller.....1pc.



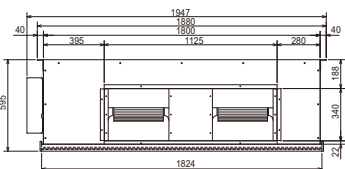
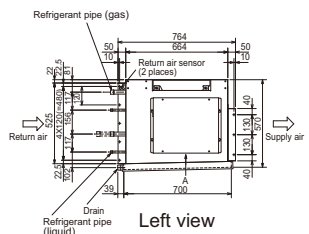
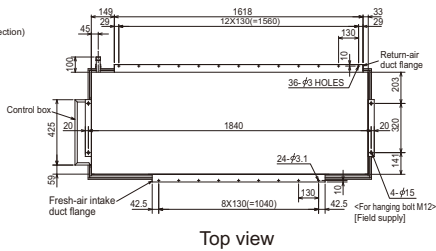
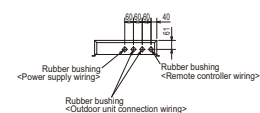
Left view

Front view

**PEA-RP400GAQ PEA-RP500GAQ**

**INDOOR UNIT**

<Accessory>  
 Pipe cover.....4pcs.  
 (For dew condensation prevention of local piping and unit connection)  
 Remote controller.....1pc.

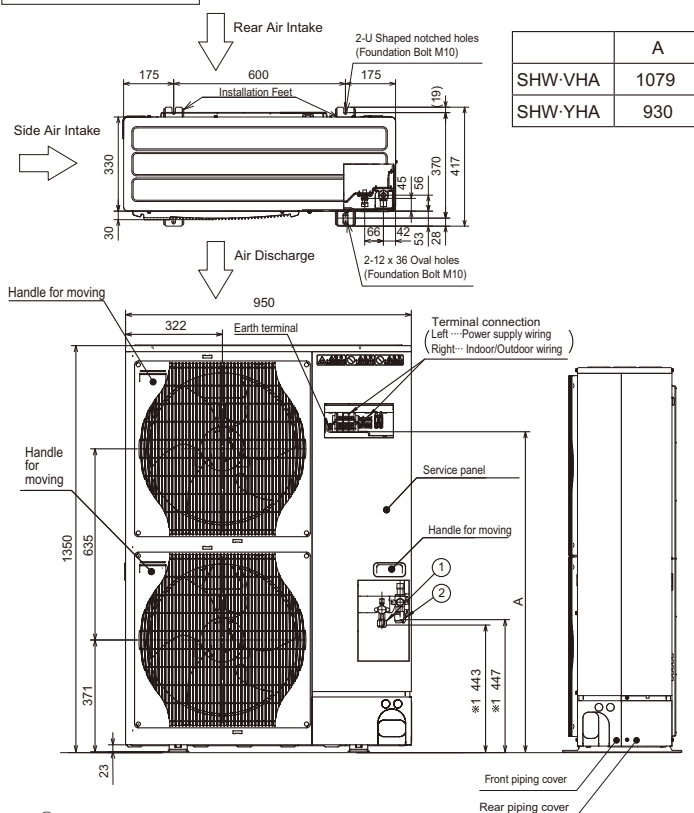


Left view

Front view

**PUHZ-SHW80VHA PUHZ-SHW112VHA  
PUHZ-SHW112YHA PUHZ-SHW140YHA**

**OUTDOOR UNIT**

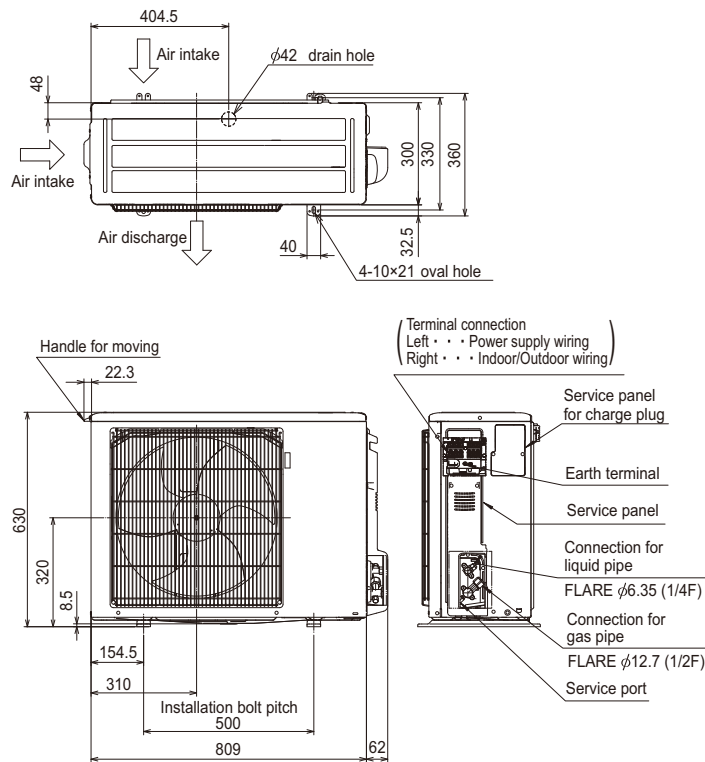


	A
SHW-VHA	1079
SHW-YHA	930

- ①---Refrigerant gas pipe connection (flare)
- ②---Refrigerant liquid pipe connection (flare)
- \* ---Indicates stop valve connection location.

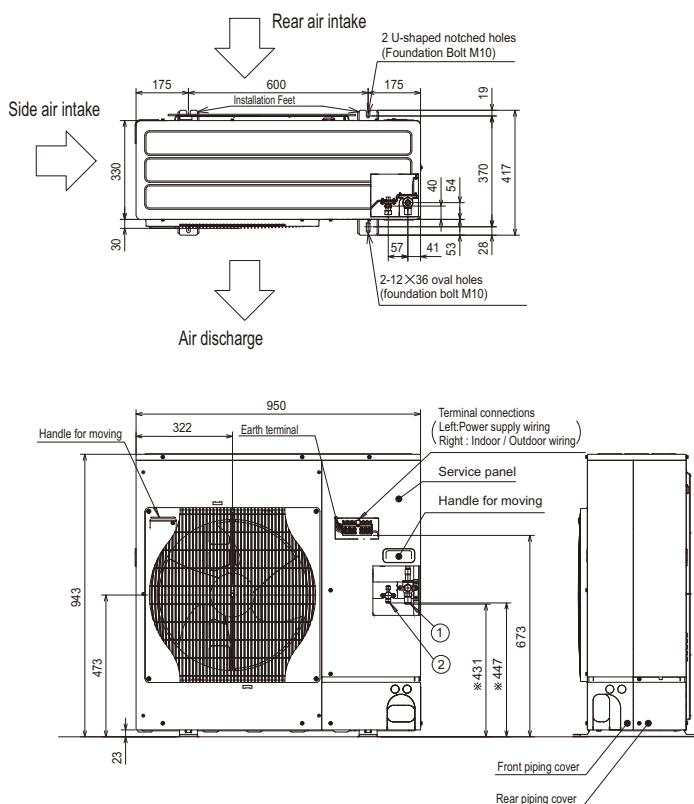
**PUHZ-ZRP35VKA PUHZ-ZRP50VKA**

**OUTDOOR UNIT**



**PUHZ-ZRP60VHA PUHZ-ZRP71VHA**

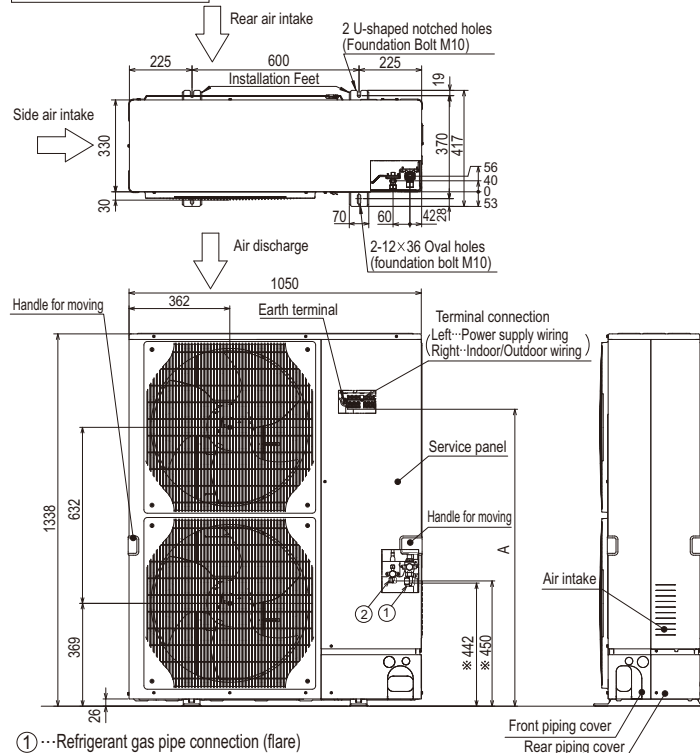
**OUTDOOR UNIT**



- ①---Refrigerant gas pipe connection (flare)
- ②---Refrigerant liquid pipe connection (flare)
- \* ---Indicates stop valve connection location.

**PUHZ-ZRP100VKA PUHZ-ZRP125VKA PUHZ-ZRP140VKA  
PUHZ-ZRP100YKA PUHZ-ZRP125YKA PUHZ-ZRP140YKA**

**OUTDOOR UNIT**

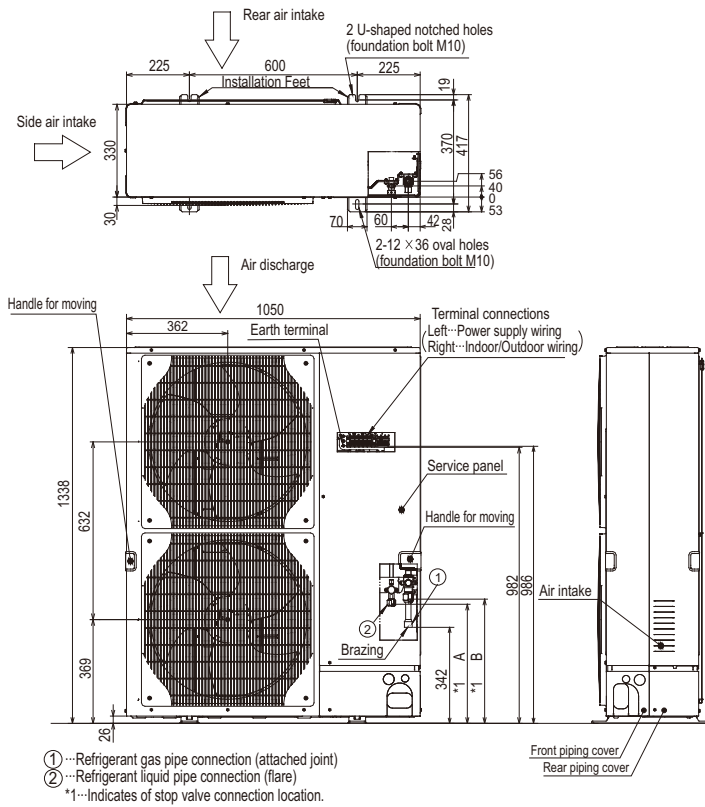


- ①---Refrigerant gas pipe connection (flare)
- ②---Refrigerant liquid pipe connection (flare)
- \* ---Indicates stop valve connection location.

Model	A
PUHZ-ZRP100~140VKA	1067
PUHZ-ZRP100~140YKA	919

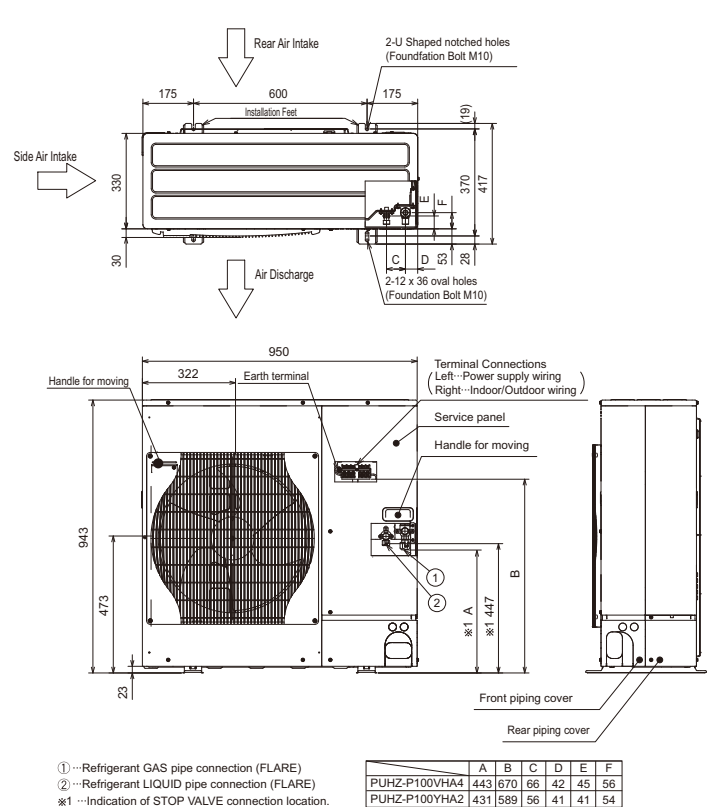
**PUHZ-RP200YKA PUHZ-RP250YKA**

**OUTDOOR UNIT**



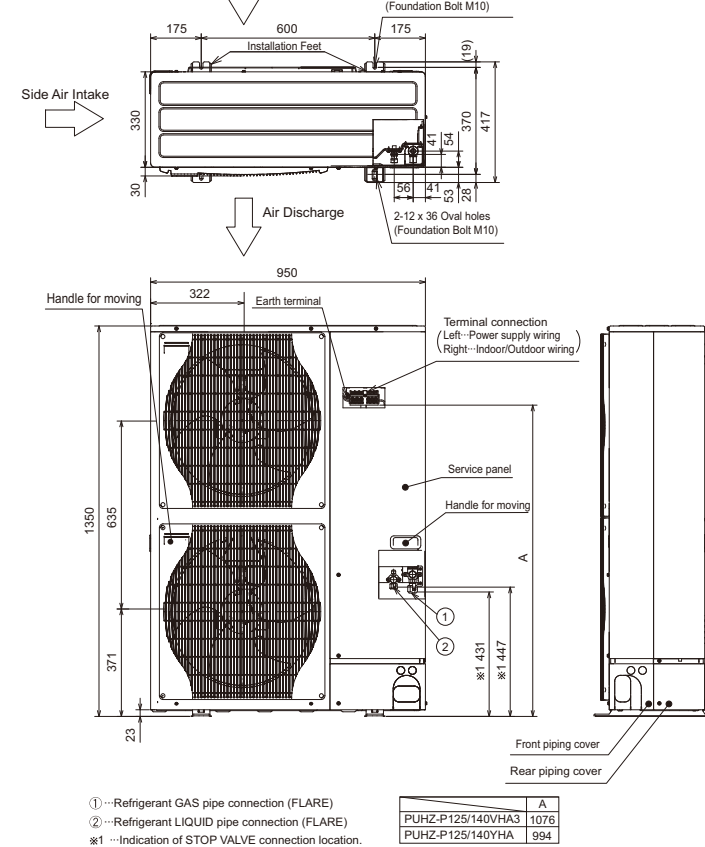
**PUHZ-P100VHA4 PUHZ-P100YHA2**

**OUTDOOR UNIT**



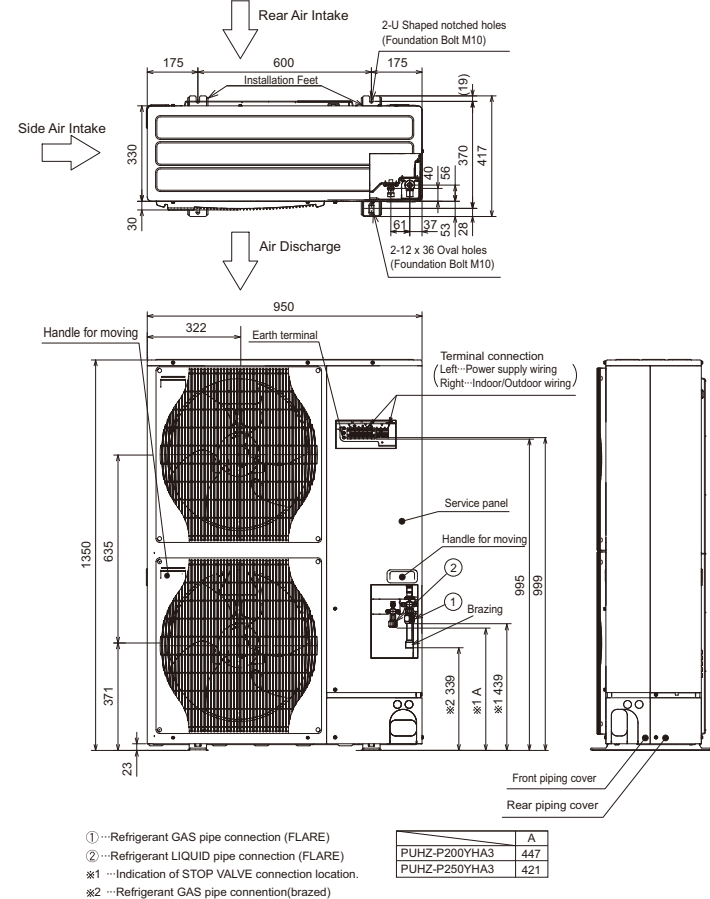
**PUHZ-P125VHA3 PUHZ-P140VHA3  
 PUHZ-P125YHA PUHZ-P140YHA**

**OUTDOOR UNIT**



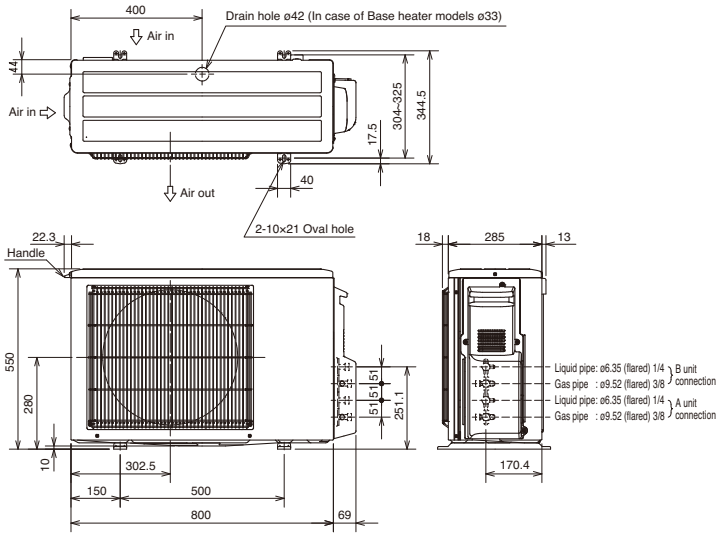
**PUHZ-P200YHA3 PUHZ-P250YHA3**

**OUTDOOR UNIT**



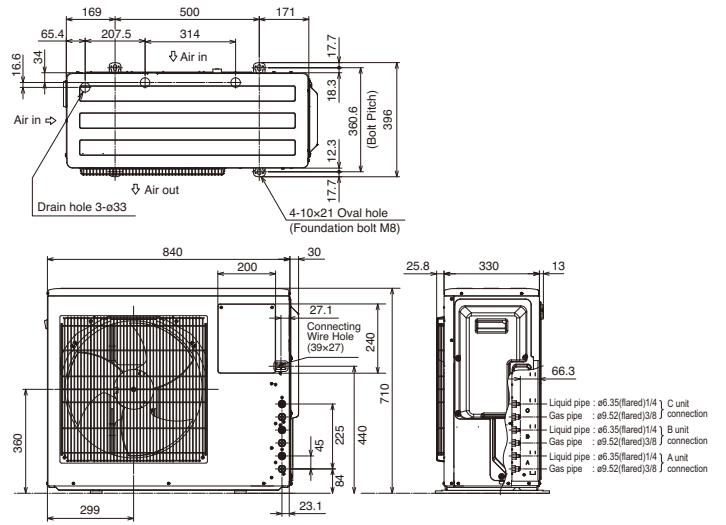
**MXZ-2D33VA MXZ-2D42VA MXZ-2D53VA MXZ-2D53VAH**

**OUTDOOR UNIT**



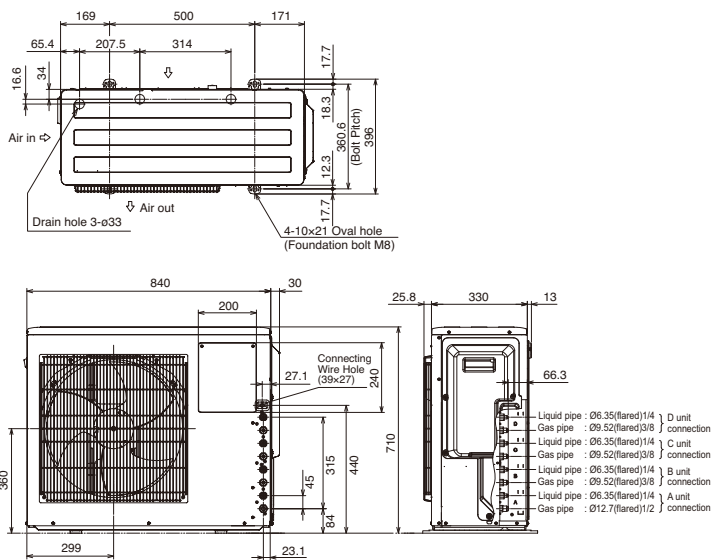
**MXZ-3D54VA2 MXZ-3D68VA**

**OUTDOOR UNIT**



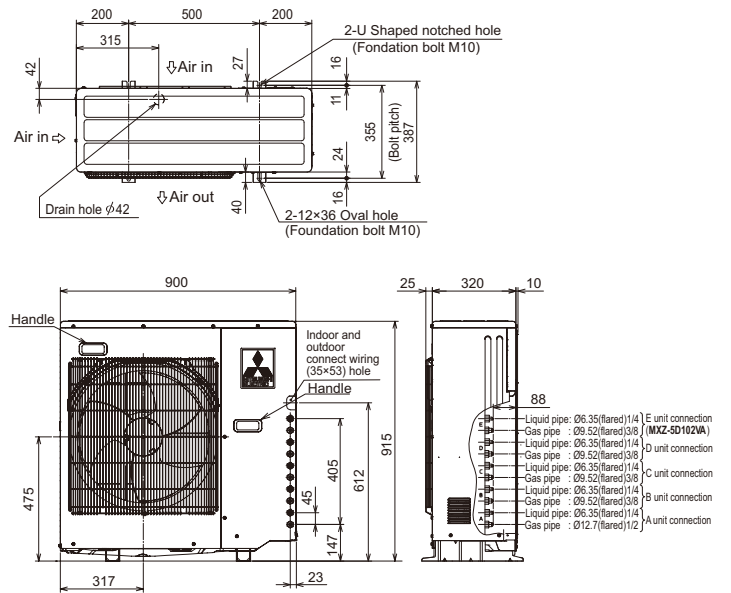
**MXZ-4D72VA**

**OUTDOOR UNIT**



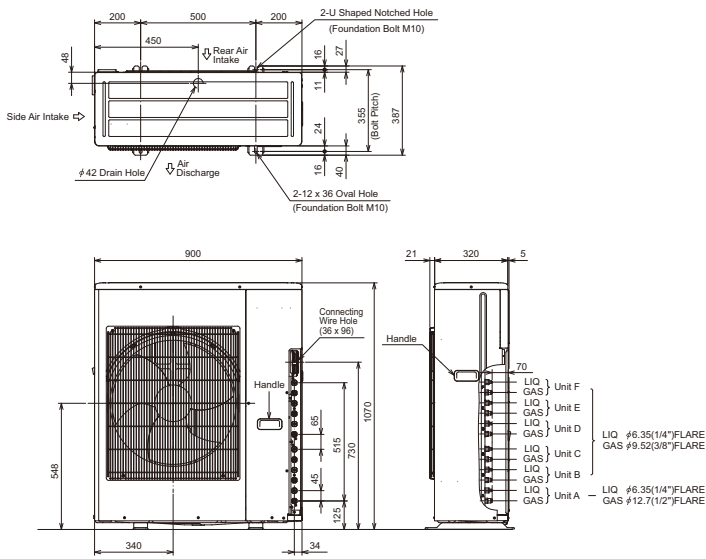
**MXZ-4D83VA MXZ-5D102VA**

**OUTDOOR UNIT**



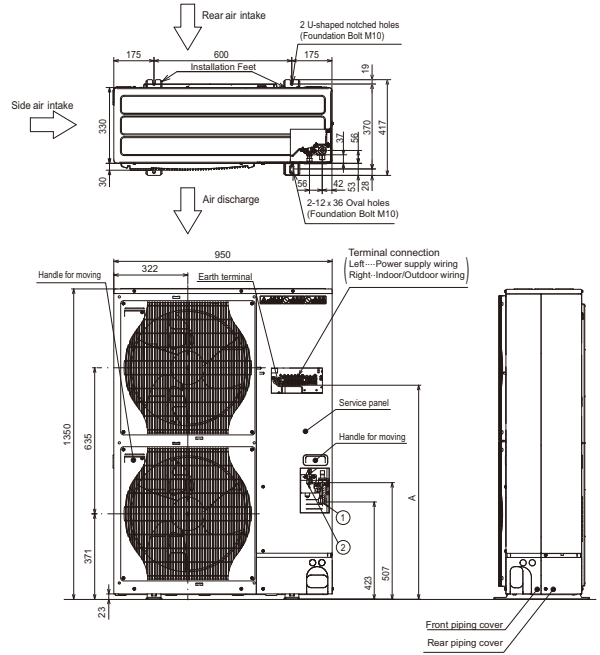
**MXZ-6C122VA**

**OUTDOOR UNIT**



**MXZ-8B140VA MXZ-8B140YA**  
**MXZ-8B160VA MXZ-8B160YA**

**OUTDOOR UNIT**



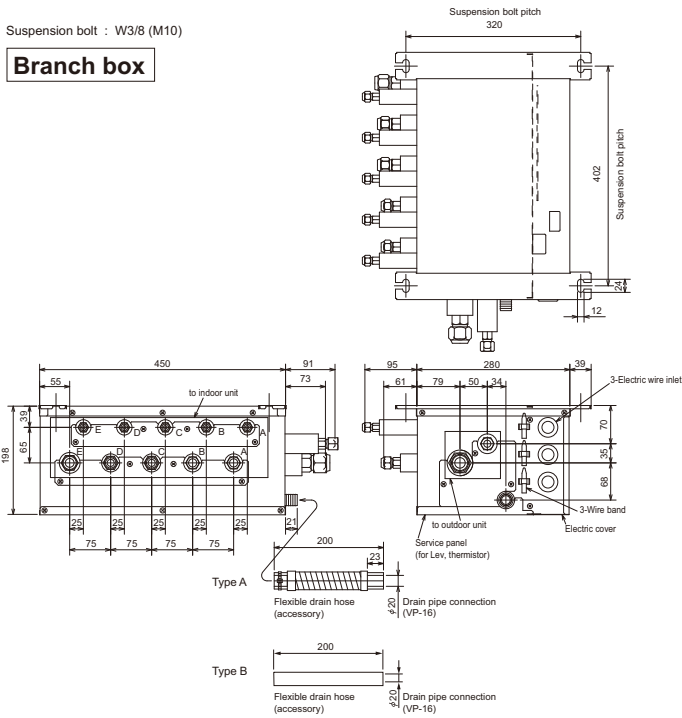
- ①...Refrigerant gas pipe connection (FLARE)
  - ②...Refrigerant liquid pipe connection (FLARE)
- Indicates stop valve connection location

Model	A
MXZ-8B140VA/160VA	1079
MXZ-8B140YA/160YA	930

**PAC-AK53BC**

Suspension bolt : W3/8 (M10)

**Branch box**



**PAC-AK32BC**

Suspension bolt : W3/8 (M10)

**Branch box**

