

YM-20 Datasheet

# YM-20

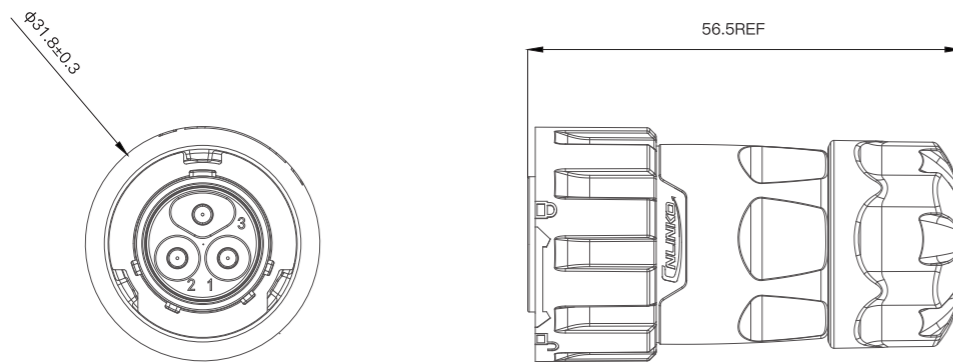
YM20 Power/Signal	Product Series	YM-20								YM-20											
	Pin Number	2PIN		3PIN		4PIN		5PIN		5PIN		7PIN		8PIN		9PIN		12PIN		14PIN	
	Contact Layout																				
	Current Rating(A)	20		20		20		10		10/5		10		20/5		5		5		5	
	Voltage Rating(V)	500		500		500		500		300		500		250		250		250		250	
	Cable O.D(mm)	φ5.0~φ6.5		φ6.5~φ8.5		φ8.5~φ10.0		φ10.0~φ12.0				φ5.0~φ6.5		φ6.5~φ8.5		φ8.5~φ10.0		φ10.0~φ12.0			
	Wire Gauge	2.5-4.0mm <sup>2</sup> /14-12AWG		2.5-4.0mm <sup>2</sup> /14-12AWG		2.5-4.0mm <sup>2</sup> /14-12AWG		1.0-1.5mm <sup>2</sup> / 18-16AWG		1.0-1.5mm <sup>2</sup> / 18-16AWG 0.34-0.5mm <sup>2</sup> /22-20AWG		1.0-1.5mm <sup>2</sup> / 18-16AWG		2.5-4.0mm <sup>2</sup> /14-12AWG 0.34-0.5mm <sup>2</sup> /22-20AWG		0.34-0.5mm <sup>2</sup> /22-20AWG		0.34-0.5mm <sup>2</sup> /22-20AWG		0.34-0.5mm <sup>2</sup> /22-20AWG	
	Protection Level	Connection Status IP68								Connection Status IP68											
	Terminal Type	Soldering/Screwing		Soldering/Screwing		Soldering		Soldering		Soldering		Soldering		Soldering		Soldering		Soldering		Soldering	
Illustration	Material	Part No								Part No											
	Male	YM-20-C02PE-02-002A	YM-20-C03PE-02-002A	YM-20-C04PE-02-002A	YM-20-C05PE-02-002A					YM-20-C05PE-02-0xxA	YM-20-C07PE-02-002A	YM-20-C08PE-02-051A	YM-20-C09PE-02-002A	YM-20-C12PE-02-002A	YM-20-C14PE-02-002A						
	Female	YM-20-J02PE-02-002A	YM-20-J03PE-02-002A	YM-20-J04PE-02-002A	YM-20-J05PE-02-002A					YM-20-J05PE-02-0xxA	YM-20-J07PE-02-002A	YM-20-J08PE-02-051A	YM-20-J09PE-02-002A	YM-20-J12PE-02-002A	YM-20-J14PE-02-002A						
	Male	YM-20-C02PP-02-001A	YM-20-C03PP-02-001A	YM-20-C04PP-02-001A	YM-20-C05PP-02-001A					YM-20-C05PP-02-0xxA	YM-20-C07PP-02-001A	YM-20-C08PP-02-051A	YM-20-C09PP-02-001A	YM-20-C12PP-02-001A	YM-20-C14PP-02-001A						
	Female	YM-20-J02PP-02-001A	YM-20-J03PP-02-001A	YM-20-J04PP-02-001A	YM-20-J05PP-02-001A					YM-20-J05PP-02-0xxA	YM-20-J07PP-02-001A	YM-20-J08PP-02-051A	YM-20-J09PP-02-001A	YM-20-J12PP-02-001A	YM-20-J14PP-02-001A						
	Male	YM-20-C02SX-02-101A	YM-20-C03SX-02-101A	YM-20-C04SX-02-101A	YM-20-C05SX-02-101A					YM-20-C05SX-02-1xxA	YM-20-C07SX-02-101A	YM-20-C08SX-02-151A	YM-20-C09SX-02-101A	YM-20-C12SX-02-101A	YM-20-C14SX-02-101A						
	Female	YM-20-J02SX-02-101A	YM-20-J03SX-02-101A	YM-20-J04SX-02-101A	YM-20-J05SX-02-101A					YM-20-J05SX-02-1xxA	YM-20-J07SX-02-101A	YM-20-J08SX-02-151A	YM-20-J09SX-02-101A	YM-20-J12SX-02-101A	YM-20-J14SX-02-101A						
	Male	YM-20-C02SX-02-402A	YM-20-C03SX-02-402A	YM-20-C04SX-02-402A	YM-20-C05SX-02-402A					YM-20-C05SX-02-4xxA	YM-20-C07SX-02-402A	YM-20-C08SX-02-451A	YM-20-C09SX-02-402A	YM-20-C12SX-02-402A	YM-20-C14SX-02-403A						
	Female	YM-20-J02SX-02-402A	YM-20-J03SX-02-402A	YM-20-J04SX-02-402A	YM-20-J05SX-02-402A					YM-20-J05SX-02-4xxA	YM-20-J07SX-02-402A	YM-20-J08SX-02-451A	YM-20-J09SX-02-402A	YM-20-J12SX-02-402A	YM-20-J14SX-02-402A						

**YM-20 2.0 Version Dimension Drawing (unit: mm)**

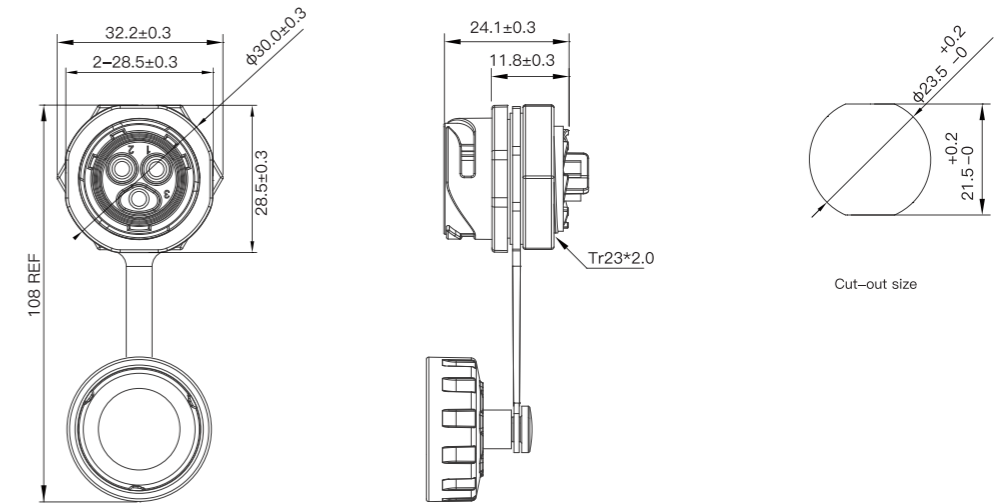
YM SERIES

YM SERIES

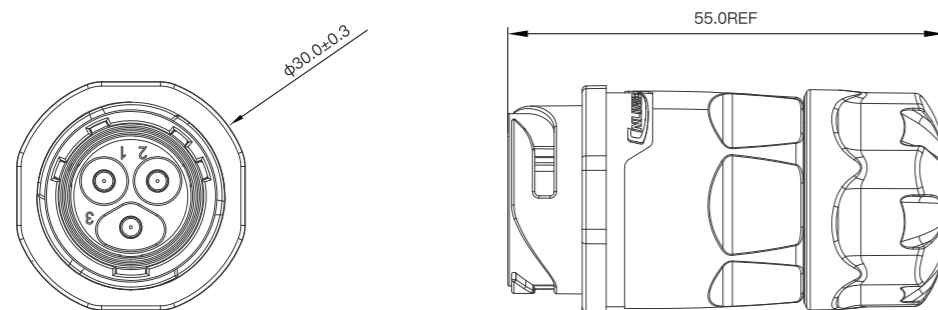
**Second generation plug**



**Single hole straight receptacle**



**In-line receptacle**



**Four-hole flange receptacle**

