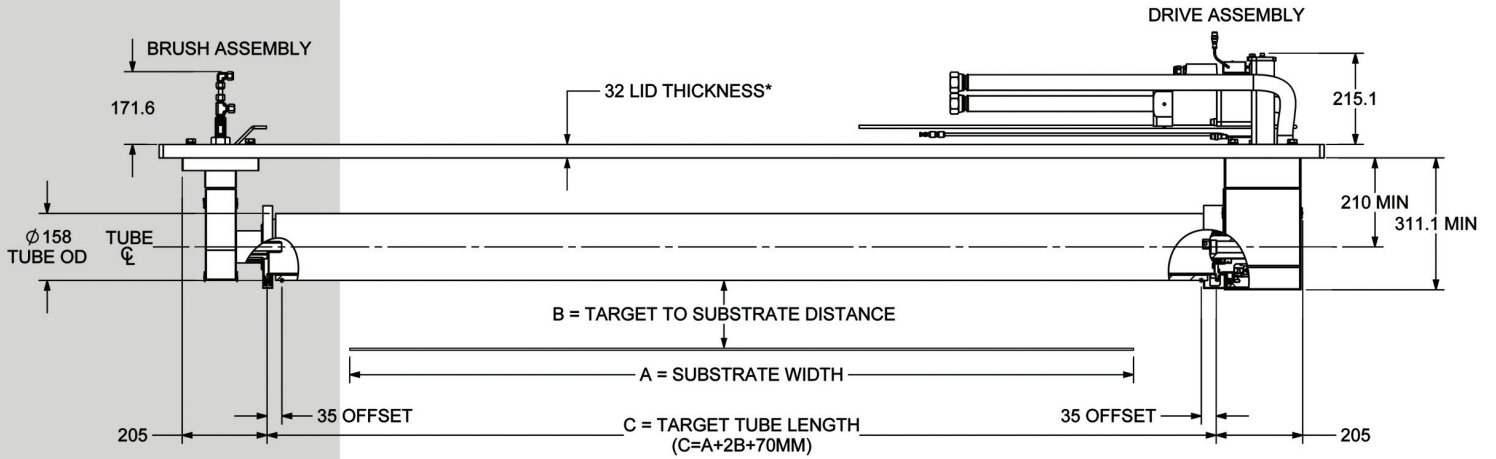




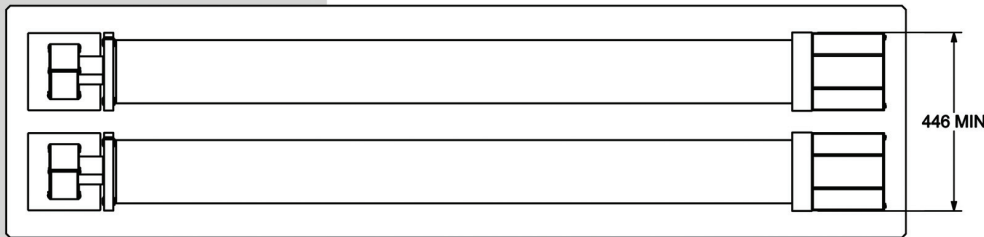
GENERAL PLASMA INC.™

# STANDARD END BLOCK ROTATABLE MAGNETRON SPECIFICATION SHEET

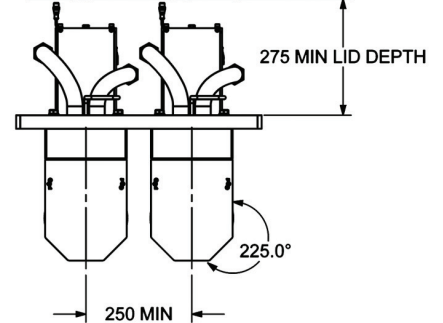


RECOMMENDED SUBTRATE DISTANCE (B)	75-125mm
TARGET LENGTH RANGE	1.0m - 4.0m

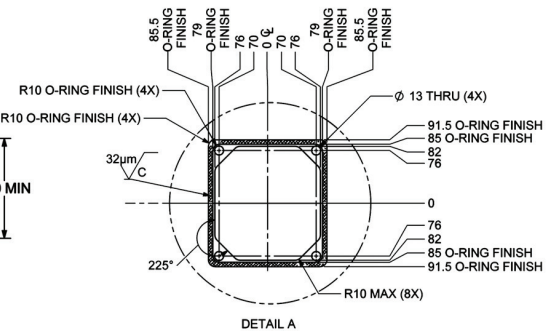
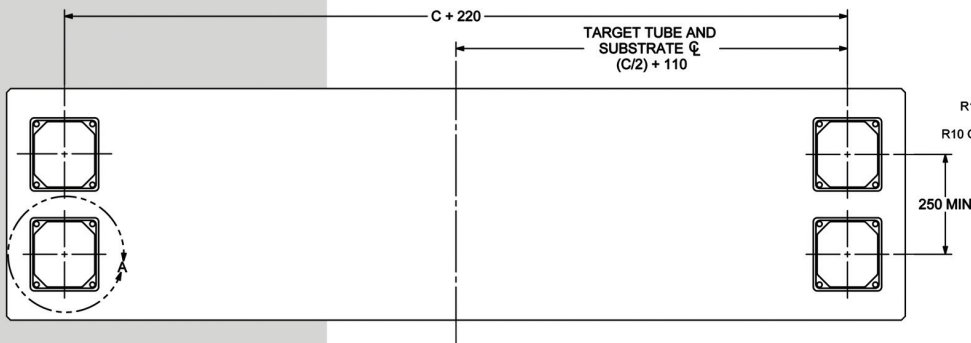
LID MOUNTED BOTTOM VIEW



LID MOUNTED SIDE VIEW



Lid Bottom View



RS000M001F

\* LID SOLD SEPARATELY  
\* CONSULT THE FACTORY FOR DIFFERENT LID THICKNESSES

ALL DIMENSIONS IN MILLIMETERS

WWW.GENERALPLASMA.COM

### CATHODE POWER

MAX DISCHARGE CURRENT	320A
MAX DISCHARGE POWER	120kW
MAX DISCHARGE VOLTAGE	1500V [DC, PULSED DC, OR AC RMS]
POWER CONNECTION	CABLE CLAMP, 1AWG [55mm <sup>2</sup> ] MIN WIRE SIZE

SPUTTER UNIFORMITY	±3%
OPERATING PRESSURE	2.6x10 <sup>-3</sup> mbar [2mT] - 1.3x10 <sup>-2</sup> mbar [10mT]

### COOLING

DRIVE ASSEMBLY WATER CONNECTION	1" FEMALE JIC FITTING / 37°
DRIVE ASSEMBLY WATER FLOW	150LPM [40GPM]
BRUSH ASSEMBLY WATER CONNECTION	3/8" COMPRESSION FITTINGS
BRUSH ASSEMBLY WATER FLOW	15LPM MAX [4GPM] PER TARGET TUBE
WATER SUPPLY TEMPERATURE	15°C - 40°C [60°F - 105°F]
WATER SUPPLY MAXIMUM PRESSURE	7bar [100PSI]
WATER SUPPLY ELECTRICAL RESISTANCE	850kΩ-cm MINIMUM RESISTANCE
PIPE / HOSE MINIMUM SUPPLY SIZE	DRIVE ASSEMBLY - 20mm ID [1"] BRUSH ASSEMBLY - 10mm OD [3/8"]

### ROTATION MOTOR

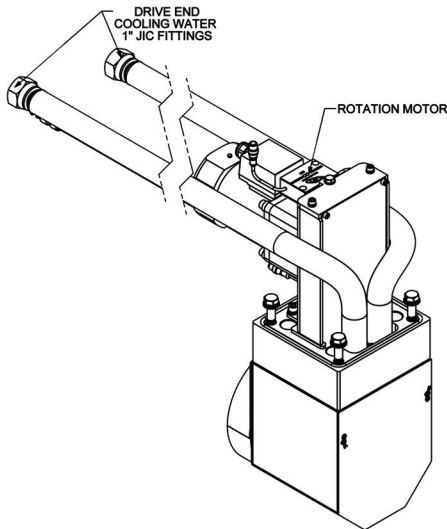
POWER REQUIREMENT	200 - 230VAC 3PH, 50/60Hz, 200W
RATED OUTPUT SPEED	13RPM [50Hz] / 15RPM [60Hz]
CONNECTION	TERMINAL BOX

### ROTATION SENSOR

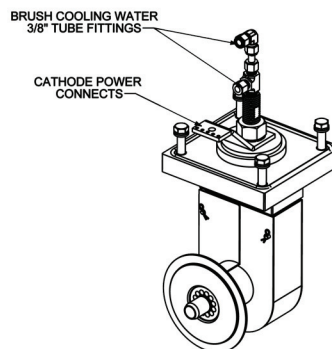
POWER REQUIREMENT	24VDC @ 150mA
TYPE	650nm VISIBLE RED CLASS 1 LASER
I/O	OPTICALLY ISOLATED 24VDC
CONNECTION	4 PIN, M12 ROUND MALE PLUG, SINGLE KEY

### TARGET TUBE

MATERIAL	18-8 STAINLESS STEEL (NON-MAGNETIC)
STOCK DIMENSIONS	125mm ID, 133mm OD
REFERENCE DRAWING	R00000L005



**DRIVE ASSEMBLY**



**BRUSH ASSEMBLY**