

PARTS LIST
PRESSURELESS COOKER
MODELS: GSX-5HE, GSX-7HE, GSX-10HE



WWW.SOLARISSTEAM.COM

PARTS LIST, PRESSURELESS COOKER, MODELS GSX-5HE, GSX-7HE, GSX-10HE

FIGURE 1

<u>ITEM</u>	<u>PART NO.</u>	<u>DESCRIPTION</u>	<u>QUANTITY</u>		
			<u>GSX-5HE</u>	<u>GSX-7HE</u>	<u>GSX-10HE</u>
1.	7159-4	Left Hand Side Panel		1	
	7159-1	Left Hand Side Panel			1
	7159-3	Left Hand Side Panel	1		
2.	8-5076-8	Door Assembly	1		2
	8-5076-7	Door Assembly, Lower Compartment		1	
	8-5076-9	Door Assembly, Upper Compartment		1	
3.	8-5101-5	Hinge Rod (3977)			1
	8-5077-8	Hinge Rod (3977)	1		
	3977-1	Hinge Rod (3977)		1	
4.	5116-1	Flue Support		2	2
	5660-1	Flue Support	1		
5.	6714-1	Flue Top		2	2
	7635-1	Flue Wraparound Assembly	1		
6.	1344-1	Flue			2
	1344-5	Flue	1	2	
7.	6412-1	Decal			1
	6410-1	Decal		1	
	6473-1	Decal	1		
8.	8-5021	Striker (3498)	1	2	2
	8-5022	Washer Stainless Steel	1	2	2
	1-90S0	Lock Washer	1	2	2
	1-99S0	Nut	1	2	2

PARTS LIST, PRESSURELESS COOKER, MODELS GSX-5HE, GSX-7HE, GSX-10HE

<u>ITEM</u>	<u>PART NO.</u>	<u>DESCRIPTION</u>	<u>QUANTITY</u>			
			<u>GSX-5HE</u>	<u>GSX-7HE</u>	<u>GSX-10HE</u>	
9.	4-PL04	Pilot Light - Green	2	4	4	
10.	4-PL07	Pilot Light - Red	1	2	2	
**	11.	4-TD12	Dial 60 Hz (120 minutes)	1	2	2
		4-TD60	Dial 60 Hz (60 minutes)	1	2	2
		4-TD60-1	Dial 50 Hz (60 minutes)	1	2	2
**	11A.	4-T210	Timer (60 minutes)	1	2	2
		9190-1	Timer (120 minutes) Optional	1	2	2
	12.	9124-2	Switch, 120V	1	2	2
	13.	9109-1	Rotary Shaft Seal	1	2	2
	14.	5288-1	Delime Funnel	1	1	1
	15.	3-696A	Elbow, 3/8" Copper x 1/8" MPT	2	4	4
	16.	5281-1	Steam Diverters	4	4	8
	17.	4721-1	Rack Hanger Assembly	4	8	8
	18.	5224-2	Compartment Strainer	1	2	2
	19.	2-686C	Thermostat Fitting	1	2	2
	20.	4874-3	High Limit Thermostat	1	2	2
*		5299-2	High Limit Thermostat Cover	1	2	2
	21.	3-6912E	Elbow - Blowdown 3/4" C x 3/4" MPT	2	4	4
	22.	3-S543	Blowdown Valve 3/4" C x 3/4" MPT	1	2	2
	23.	3-121C	Brass Plug, 3/8" MPT	1	2	2
	24.	3-124C	45° Brass St. Elbow, 3/8" MPT	1	2	2
	25.	5380-1	Bullet Leg Assembly, 6"	2	2	2
	26.	5379-1	Flanged Leg Assembly, 6"	2	2	2

PARTS LIST, PRESSURELESS COOKER, MODELS GSX-5HE, GSX-7HE, GSX-10HE

<u>ITEM</u>	<u>PART NO.</u>	<u>DESCRIPTION</u>	<u>QUANTITY</u>		
			<u>GSX-5HE</u>	<u>GSX-7HE</u>	<u>GSX-10HE</u>
*	27.	5381-1 Swivel Caster 5" c/w Brake Optional	2	2	2
*	28.	5382-1 Swivel Caster 5", Optional	2	2	2
	29.	2681-1 Pan Rack, 3 Pan		2	
		2681-3 Pan Rack, 5 Pan	2		4
		2681-2 Pan Rack, 4 Pan		2	
	30.	9026-18 Gas Flex Tube, 1/2" x 18"	1	2	2
	31.	5421-1 Cabinet Door Assembly	1	1	1
	32.	1-34S4 Screw 10 - 32 x 1/2" Stainless Steel	24	28	28
	33.	2859-1 Side Riser Panel	2	2	2
	34.	9012-3 Street Elbow, 1/2"	2	3	3
**	35.	5188-1 Combination Control, Natural Gas	1	2	2
		5188-2 Combination Control, LP	1	2	2
	36.	3-U4BE Union Elbow, 1/2"	1	2	2
	37.	9010-030 Nipple, 3/4" x 3"	1	1	1
	38.	9011-4 Elbow, 3/4"	1	1	1
	39.	9009-076 Nipple, 1/2" x 7 - 3/4"	-	1	1
*		9035-4 Square Head Plug, 1/2"	1	-	-
	40.	9013-3 Tee, 1/2"	1	1	1
	41.	9009-000 Close Nipple, 1/2"	2	2	2
	42.	9014-1 Reducing Elbow, 1/2" x 3/4"	1	1	1
	43.	3-686D Connector, 3/8" C x 1/2" MPT	1	1	1
	44A.	5162-1 Generator Fill Solenoid, Upper Cavity		1	1

PARTS LIST, PRESSURELESS COOKER, MODELS GSX-5HE, GSX-7HE, GSX-10HE

<u>ITEM</u>	<u>PART NO.</u>	<u>DESCRIPTION</u>	<u>QUANTITY</u>		
			<u>GSX-5HE</u>	<u>GSX-7HE</u>	<u>GSX-10HE</u>
44B.	5162-1	Generator Fill Solenoid, Lower Cavity	1	1	1
45.	3-686A	Connector, 3/8" C x 1/8" MPT	1	1	1
46.	3-716A	Tee, 3/8 C x 3/8" C x 1/8" MPT	-	1	1
47.	3-696D	Elbow, 3/8" C x 1/2" MPT	1	1	1
48.	5444-1	Thermostatic Cooling Valve	1	1	1
*	5376-1	Cooling Valve Bracket	1	1	1
49.	3738-10	Probe, 2 inches	1	2	2
50.	3738-11	Probe, 2-1/2 inches	1	2	2
51.	3738-12	Probe, 3 inches	1	2	2
52.	5286-1	Relief Valve, 5 psi	1	2	2
53.	3-776	Water Fill - Bulk Head, 3/8" C.	2	2	2
54.	5233-1	Gas Supply Pipe, 3/4" x 9 - 13/16"	1	1	1
55.	6765-3	Right Hand Side Panel			1
	6765-2	Right Hand Side Panel		1	
	6765-1	Right Hand Side Panel	1		
56.	4127-3	Cord Set, 120V	1	1	1
**	9083-18	Bottom Left, Flex Steam Tube, 18"	1	1	1
	9083-30	Bottom Right, Flex Steam Tube, 30"	1	1	1
	9083-48	Top Left Flex Steam Tube, 48"		1	1
	9083-36	Top Right Flex Steam Tube, 36"		1	1
58.	5282-1	Steam Manifold	2		4
59.	3-7012E	Elbow, 3/4" C x 3/4" FPT	4		8

PARTS LIST, PRESSURELESS COOKER, MODELS GSX-5HE, GSX-7HE, GSX-10HE

<u>ITEM</u>	<u>PART NO.</u>	<u>DESCRIPTION</u>	<u>QUANTITY</u>		
			<u>GSX-5HE</u>	<u>GSX-7HE</u>	<u>GSX-10HE</u>
*	59.	3-100E		4	
	60.	9-3213	1	2	2
		9-3336	1	2	2
	61.	5420-1			1
		5420-2	1		
		5420-3		1	
	62.	8-5108	1	1	1
	63.	6768-1	1	1	1
	64.	1-34S8	4	6	6
	65.	1-33C4	4	4	4
	66.	1-53S4	2	2	2
	67.	8-5023	1	1	1
	68.	0672-2	1	2	2
*	69.	7156-1	1	1	1
*	70.	3-6812E	2	4	4
*	71.	3-U6BE	1	2	2
	72.	5784-1	1	2	2

* NOT SHOWN.

** SELECT AS REQUIRED.

PARTS LIST, PRESSURELESS COOKER, MODELS GSX-5HE, GSX-7HE, GSX-10HE

FIGURE 2

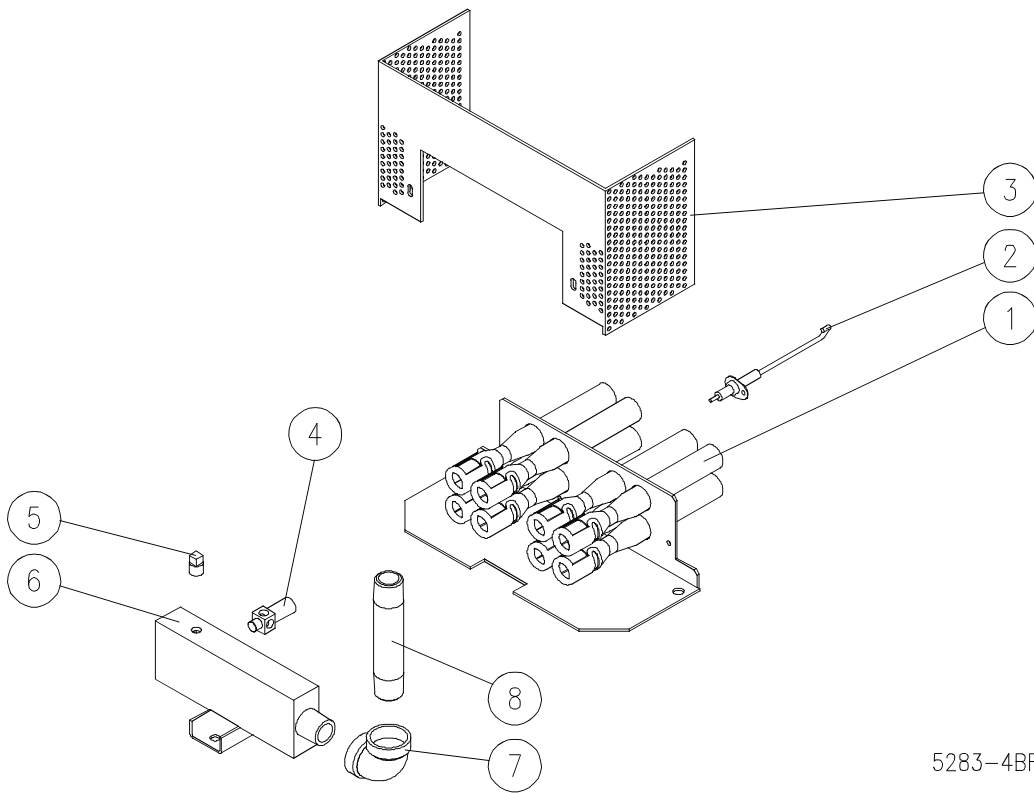
<u>ITEM</u>	<u>PART NO.</u>	<u>DESCRIPTION</u>	<u>QUANTITY</u>		
			<u>GSX-5HE</u>	<u>GSX-7HE</u>	<u>GSX-10HE</u>
1.	8-5060-7	Door Frame, Bottom		1	
	8-5060-8	Door Frame, (2840)	1		2
	8-5060-9	Door Frame, Top		1	
2.	3903-2	Door Handle Assembly (3903)	1	2	2
*	3646-1	Decal	1	2	2
3.	8-5068-9	Latch Assembly (3900)	1	2	2
4A.	5716-1	Spacer - Upper	1	2	2
4B.	5717-1	Spacer - Lower	1	2	2
5.	8-5078	Door Bushing	4	8	8
6.	8-5064-7	Gasket Plate, Bottom		1	
	8-5064-8	Gasket Plate, (2842)	1		2
	8-5064-9	Gasket Plate, Top		1	
7.	8-5063-8	Gasket (2669)	1		2
	8-5063-7	Gasket, Bottom		1	
	8-5063-9	Gasket, Top		1	
8.	8-5065-7	Door Panel, Bottom		1	
	8-5065-8	Door Panel	1		2
	8-5065-9	Door Panel, Top		1	
9.	9-1011-1	Screw, 10 - 32 x 1/2"	8	16	16
10.	1-34S4	Screw, 10 - 32 x 1/2"	6	12	12

* NOT SHOWN.

PARTS LIST, PRESSURELESS COOKER, MODELS GSX-5HE, GSX-7HE, GSX-10HE

PROPANE ONLY

FIGURE 3



5283-4BR0

PARTS LIST, PRESSURELESS COOKER, MODELS GSX-5HE, GSX-7HE, GSX-10HE

FIGURE 3

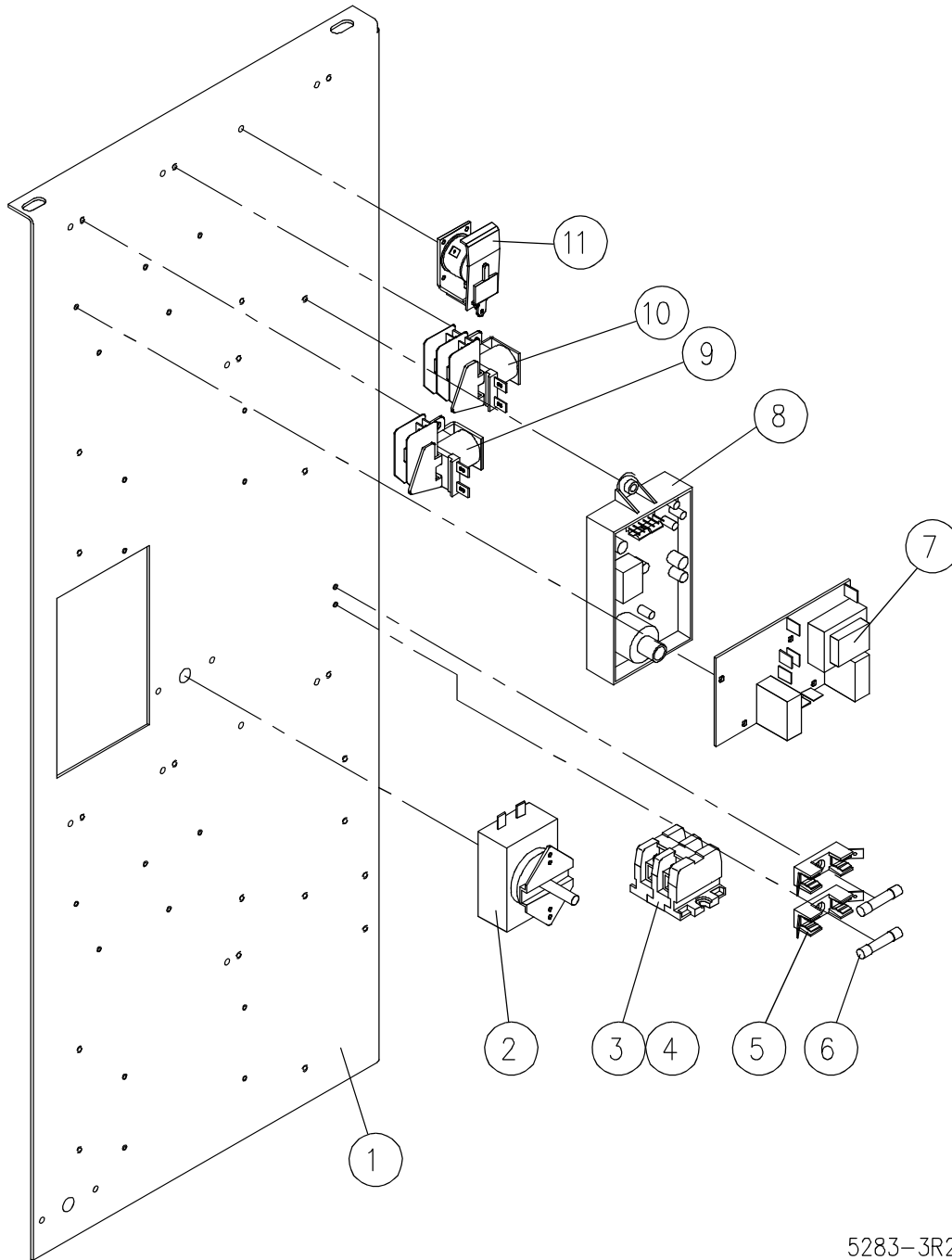
BURNER PARTS

<u>ITEM</u>	<u>PART NO.</u>	<u>DESCRIPTION</u>	<u>QUANTITY</u>		
			<u>5HE</u>	<u>7HE</u>	<u>10HE</u>
1.	7283-1	Burner Assembly including Bracket	1	2	2
2.	5594-1	Spark Electrode	1	2	2
3.	5593-1	Burner Shield	1	2	2
** 4.	4951-52	Jet Orifice, Natural #52	8		16
	4951-53	Jet Orifice, Natural #53		8	
	4951-55	Jet Orifice, Natural #55		8	
	4951-61	Jet Orifice, Propane, #61	8		16
	4951-64	Jet Orifice, Propane, #64		8	
	4951-67	Jet Orifice, Propane, #67		8	
5.	3-109C	Square Head Pipe Plug, 1/8" MPT	1	2	2
6.	7280-1	Manifold Assembly	1	2	2
7.	9011-3	Elbow, 1/2" - 90°	1	2	2
8.	9009-040	Nipple, 1/2" x 4"	1	2	2

** SELECT AS REQUIRED.

PARTS LIST, PRESSURELESS COOKER, MODELS GSX-5HE, GSX-7HE, GSX-10HE

FIGURE 4



5283-3R2

PARTS LIST, PRESSURELESS COOKER, MODELS GSX-5HE, GSX-7HE, GSX-10HE

FIGURE 4

<u>ITEM</u>	<u>PART NO.</u>	<u>DESCRIPTION</u>	<u>QUANTITY</u>			
			<u>GSX-5HE</u>	<u>7HE</u>	<u>10HE</u>	
1.	6762-1	Component Mounting Board	1			
	7161-1	Component Mounting Board			1	
	7289-1	Component Mounting Board		1		
2.	9126-1	Operating Thermostat	1	2	2	
3.	4-22TB	Terminal Block	2	2	2	
4.	4-22ES	End Section	1	1	1	
**	5.	9068-1	Fuse Holder, 120V Supply	2	2	2
		9068-1	Fuse Holder, 208V - 240V Supply	4	4	4
**	6.	9092-2	Fuse, 2 Amp., 120V Supply	2	2	2
		9092-1	Fuse, 1 Amp., 208V - 240V Supply	4	4	4
**	7.	4038-4	Level Control Board, 10K Ohm	1	2	2
*		5230-1	Level Control Board, 1 M Ohm, Optional	2	4	4
	8.	5373-1	Ignition Module	1	2	2
	9.	9-3174-1	Relay, 120V, Double Pole	1	2	2
	10.	9-3175-1	Relay, 120V, Single Pole	2	4	4
	11.	3821-1	Buzzer	1	2	2
* **	12.	4-T265	Transformer, 208V - 240V/120V	1	2	2

* NOT SHOWN.

** SELECT AS REQUIRED.