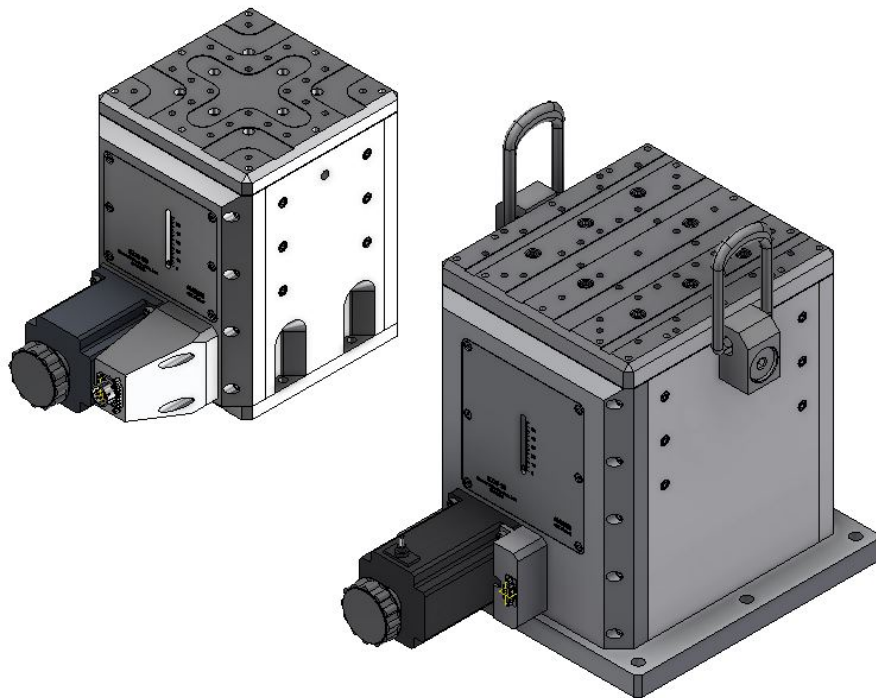




High Precision, Heavy Duty Lift Stages

BJ10 & BJ25 Series



August 2023



SPECIFICATIONS

ADC's lift stages are driven by a high class preloaded ballscrew coupled to a high torque electric motor. Maximum rigidity is assured through the use of preloaded crossed roller linear bearings. Resolution requirements may be met using a gearbox. Each jack also features two fully adjustable, normally closed limit switches to define the extents of travel.

MECHANICAL

Specification	BJ10 Series	BJ25 Series
Travel (mm)	50, 100, 150	50, 150, 235
Lead Accuracy (um/25mm)	8.3	8.3
Travel Resolution (mm/rev)	0.254	0.260
Maximum Speed (mm/sec)	1.9	3

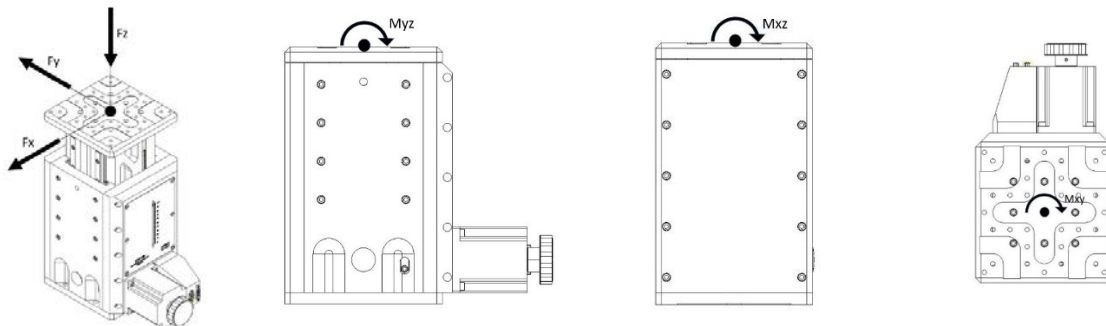
ELECTRICAL

Specification	BJ10 Series	BJ25 Series
Motor	2-Phase; 5-Phase Stepper; DC	
Limit Switches	Mechanical, Normally Closed	
Optical Encoder	Renishaw Tonic (http://www.renishaw.com)	

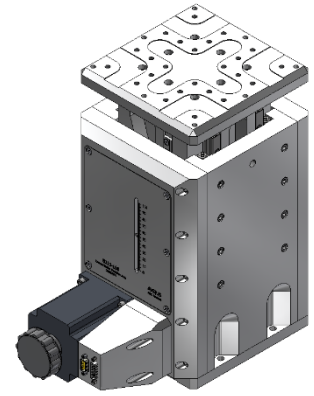
LOAD CHARACTERISTICS

Stage	Fx (N)	Fy (N)	Fz (N)	Mxz (Nm)	Myz (Nm)	Mxy (Nm)
BJ10-50	2671	1335	36190	368.5	184	2475
BJ10-100	3211.5	1605.5	36190	536	268	3506.5
BJ10-150	TBD	TBD	TBD	TBD	TBD	TBD
BJ25-50	2560	1280	53855	368.5	184	2475
BJ25-150	2812.5	1406	53855	603	301.5	5792.5
BJ25-235	7980.5	3990	57000	1049	524.5	8206.5

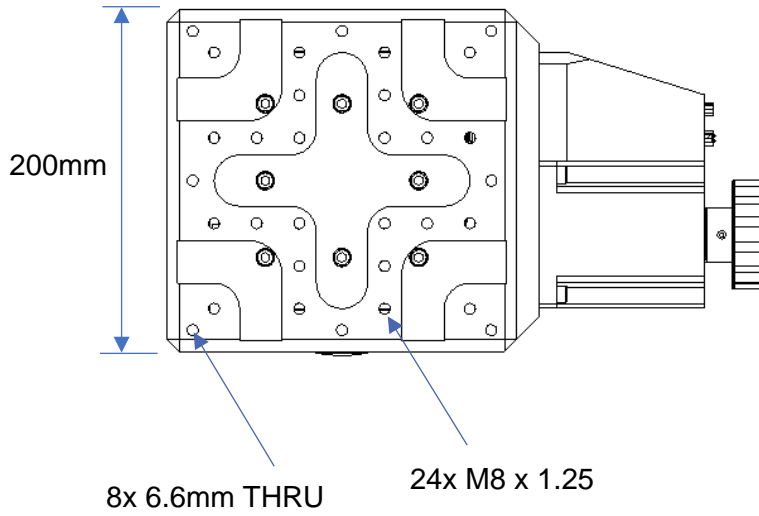
*Loads are not simultaneous



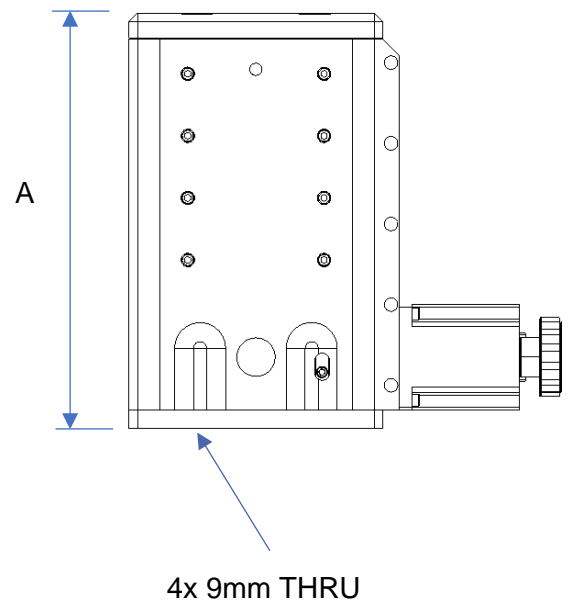
BJ10



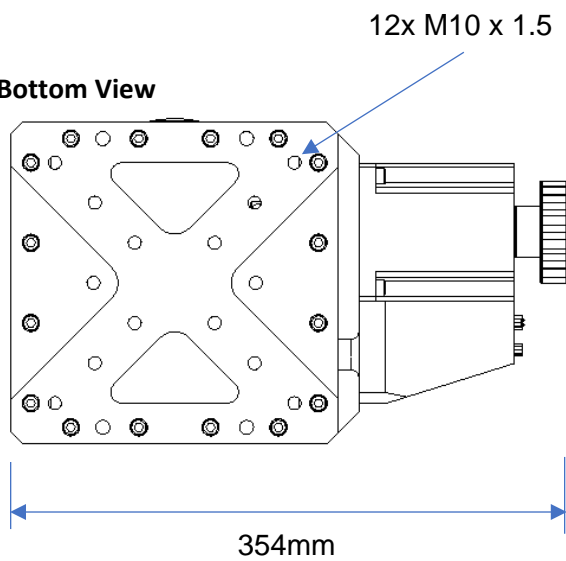
Top View



Side View

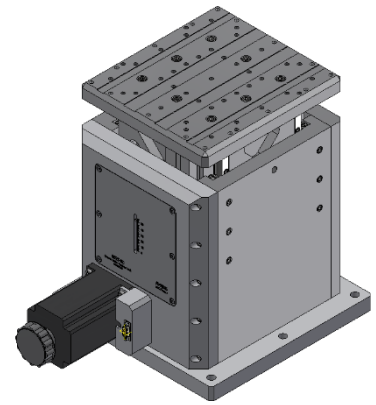


Bottom View

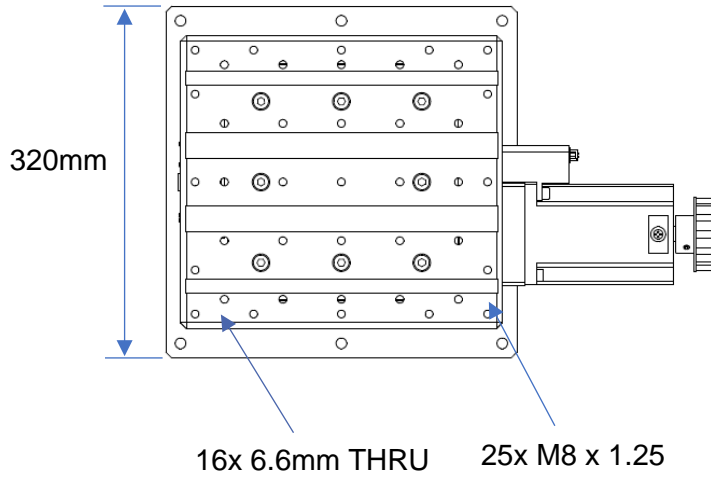


Model	50	100	150
A- Closed Height (mm)	275	335	395

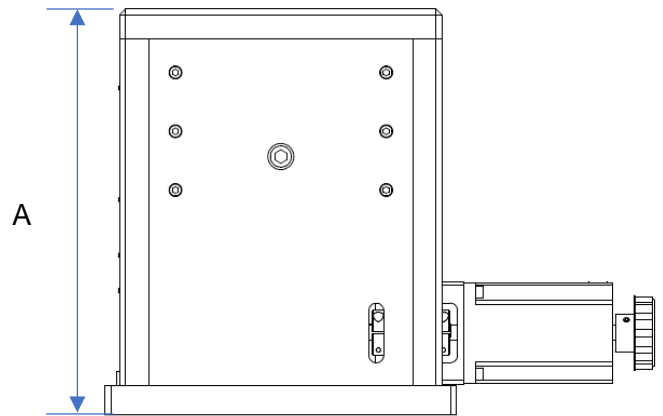
BJ25



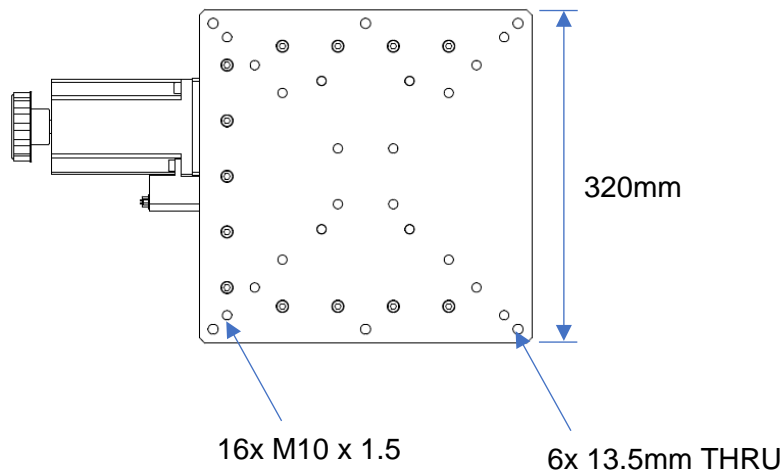
Top View



Side View



Bottom View



Model	50	150	235
A- Closed Height (mm)	346	476	578

ORDERING INFORMATION

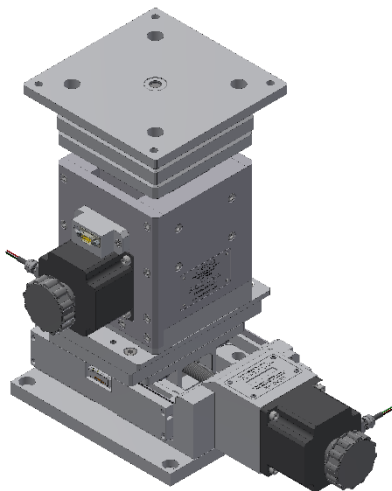
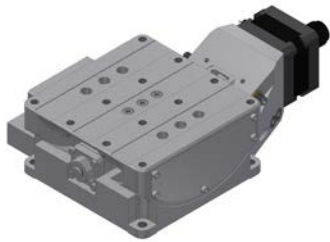
Jacks can be ordered with different configurations. Please use the codes provided below when ordering. Please call or e-mail to ask about any other customization required.

BJ (Big Jack)	10 Series	25 Series
Travel Options (mm)	-50 -100 -150	-50 -150 -235
Encoder Options	-R (With Incremental Optical Encoder) -A (With Absolute Optical Encoder) -N (Without Encoder)	
Brake Options	-B (With Brake, 24VDC) -N (Without Brake)	
Motor Options	-2PH (Standard 2 Phase Bi-Polar Stepper Motor) -5PH (5 Phase Stepper Motor) -DC (DC Motor)	
Gearbox Option	-GB (customer to enter desired ratio; 3:1 to 100:1 available)	

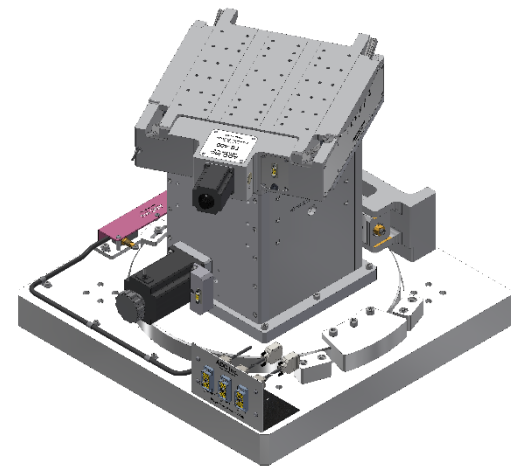
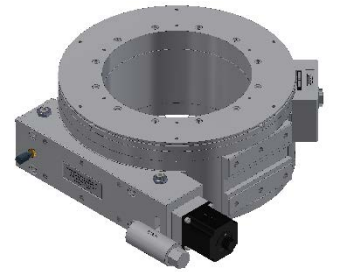
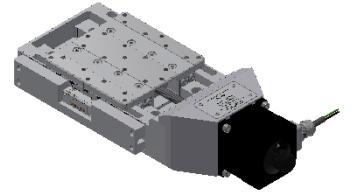
Example Order:
BJ25-50-N-N-2PH

This is an order for a BJ25 Precision Crossed Roller Jack with 50 mm travel, no encoder, no brake, a 2-phase motor, and no gearbox.

OTHER STAGES



Linear Stages	Lift Stages
DS210	DJ210
DS310	DJ310
DS410	DJ410
DS510	BJ10
	BJ25
Tilt Stages/ Goniometers	Rotation Stages
TS-50	RS-100
TS-90	RS-200
TS-160	RS-300
TS-300	RS-400
TS-400	RS-500
TS-565	
TS-700	



CONTACT US



QVS

Pol. Ind. Sigma, Xixilion kalea 2, Bajo,
Pabellón 10
20870 Elgoibar, Gipuzkoa, SPAIN
T +34 943 821 841
F +34 943 821 842
avs@a-v-s.es

QVS | UK

Rutherford Appleton Laboratory
Harwell Campus
OX11 0QX Didcot, Oxfordshire, UK
T +44 (0) 1235 567095
avs@a-v-s.uk

QVS | US

126 Ridge Rd
Lansing, NY 14882, USA
T +1 607 533 3531
F +1 607 533 3618
avsus@a-v-s.us

UFG

Westcott Venture Park
Aylesbury HP18 0XB
Buckinghamshire, UK
T +44 (0) 1235 567095
agarbayo@a-v-s.uk



Parque Empresarial Tactica
Calle Velluters 17
46988 Paterna, Valencia, SPAIN
T +34 961 344 831
F +34 961 344 830
comercial@vacuum-projects.net

SCIENTIFICA

Pol. Ind. Sigma, Xixilion kalea 2, Bajo,
Pabellón 10
20870 Elgoibar, Gipuzkoa, SPAIN
T +34 943 127 285
scientifica@scientifica.es

126 Ridge Rd, Lansing NY, 14882

www.a-v-s.us / www.adc9001.com

1-607-533-3531

avsus@a-v-s.us
