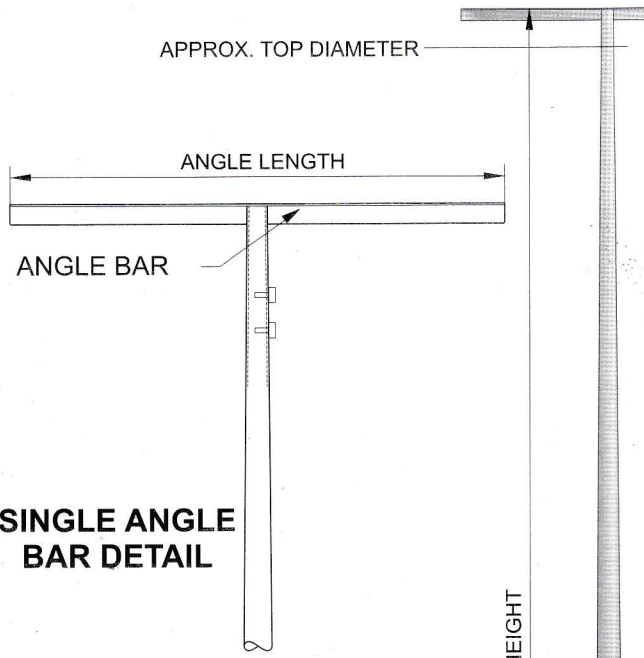
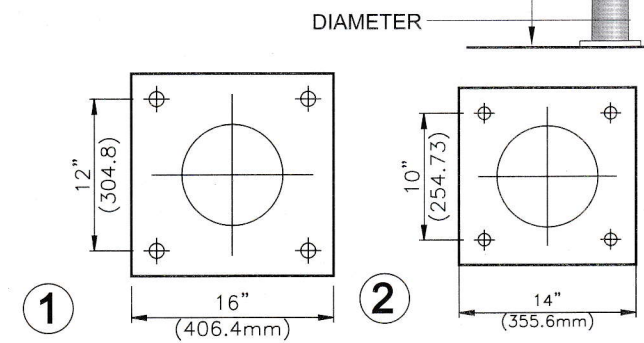
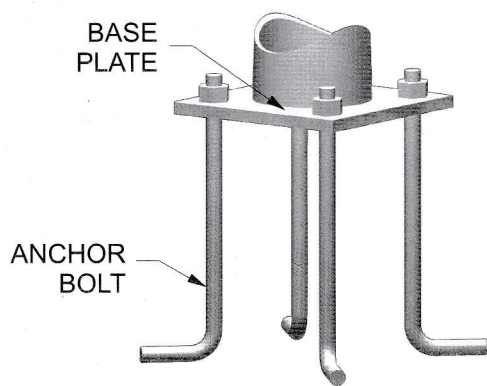
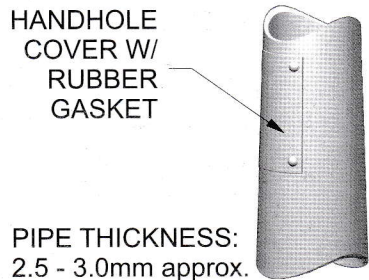


# AMCO SINGLE ANGLE BAR FLOODLIGHT STEEL TAPERED LAMP POST (HOT-DIP GALVANIZED AVAILABLE UPON REQUEST)



**SINGLE ANGLE BAR DETAIL**



**SPECIFICATION:**

- WITH BASE PLATE
- ZINC ELECTROPLATED COATING WITH RED LEAD AND ALUMINUM PAINT
- WITH ANCHOR BOLT, NUT AND WASHER

MODEL NO.	HEIGHT	DIAMETER	TOP	MAX. ANGLE LENGTH	BASE PLATE	ANCHOR BOLT
<b>T-4-10-SC</b>	10' (3.0 M)	4" (101.6mm)	2"	16" (406.4mm)	5	5/8" X 9" (16 x 228.6 mm)
<b>T-4-15-SC</b>	15' (4.5 M)	4" (101.6mm)	2"	36" (914.4mm)	4	5/8" X 9" (16 x 228.6 mm)
<b>T-4-20-SC</b>	20' (6.0 M)	4" (101.6mm)	2"	36" (914.4mm)	4	3/4" X 18" (19 x 457 mm)
<b>T-4-25-SC</b>	25' (7.6 M)	4" (101.6mm)	2"	36" (914.4mm)	4	3/4" X 18" (19 x 457 mm)
<b>T-5-15-SC</b>	15' (4.5 M)	5" (127mm)	3"	48" (1219mm)	4	3/4" X 18" (19 x 457 mm)
<b>T-5-20-SC</b>	20' (6.0 M)	5" (127mm)	3"	48" (1219mm)	4	3/4" X 18" (19 x 457 mm)
<b>T-5-25-SC</b>	25' (7.6 M)	5" (127mm)	3"	48" (1219mm)	4	3/4" X 18" (19 x 457 mm)
<b>T-5-30-SC</b>	30' (9.1 M)	5" (127mm)	3"	48" (1219mm)	3	1" X 28" (25.4 x 711 mm)
<b>T-6-20-SC</b>	20' (6.0 M)	6" (152.4mm)	3"	48" (1219mm)	4	3/4" X 18" (19 x 457 mm)
<b>T-6-25-SC</b>	25' (7.6 M)	6" (152.4mm)	3"	48" (1219mm)	4	3/4" X 18" (19 x 457 mm)
<b>T-6-30-SC</b>	30' (9.1 M)	6" (152.4mm)	3"	48" (1219mm)	3	1" X 28" (25.4 x 711 mm)
<b>T-6-35-SC</b>	35' (10.6 M)	6" (152.4mm)	3"	48" (1219mm)	3	1" X 28" (25.4 x 711 mm)
<b>T-7-20-SC</b>	20' (6.0 M)	7" (177.8mm)	4"	60" (1524mm)	4	3/4" X 18" (19 x 457 mm)
<b>T-7-25-SC</b>	25' (7.6 M)	7" (177.8mm)	4"	60" (1524mm)	4	3/4" X 18" (19 x 457 mm)
<b>T-7-30-SC</b>	30' (9.1 M)	7" (177.8mm)	4"	60" (1524mm)	3	1" X 28" (25.4 x 711 mm)
<b>T-7-35-SC</b>	35' (10.6 M)	7" (177.8mm)	4"	60" (1524mm)	3	1" X 28" (25.4 x 711 mm)
<b>T-8-20-SC</b>	20' (6.0 M)	8" (203.2mm)	4"	60" (1524mm)	3	1" X 28" (25.4 x 711 mm)
<b>T-8-25-SC</b>	25' (7.6 M)	8" (203.2mm)	4"	60" (1524mm)	3	1" X 28" (25.4 x 711 mm)
<b>T-8-30-SC</b>	30' (9.1 M)	8" (203.2mm)	4"	60" (1524mm)	2	1" X 28" (25.4 x 711 mm)
<b>T-8-35-SC</b>	35' (10.6 M)	8" (203.2mm)	4"	60" (1524mm)	2	1" X 28" (25.4 x 711 mm)
<b>T-8-40-SC</b>	40' (12.1 M)	8" (203.2mm)	4"	60" (1524mm)	1	1" X 28" (25.4 x 711 mm)
<b>T-8-45-SC</b>	45' (13.7 M)	8" (203.2mm)	4"	60" (1524mm)	1	1" X 28" (25.4 x 711 mm)

**BASE PLATE DETAIL**