

HEALTHCARE FURNITURE SOLUTIONS INFUSION & DAY TREATMENT SEATING



HEALTHCARE FURNITURE SOLUTIONS

A collection designed for outpatient care environments where treatments are delivered within a single visit. Focused on patient comfort, clinical efficiency, and ease of use, the range supports infusion therapy, day procedures, and related medical applications.



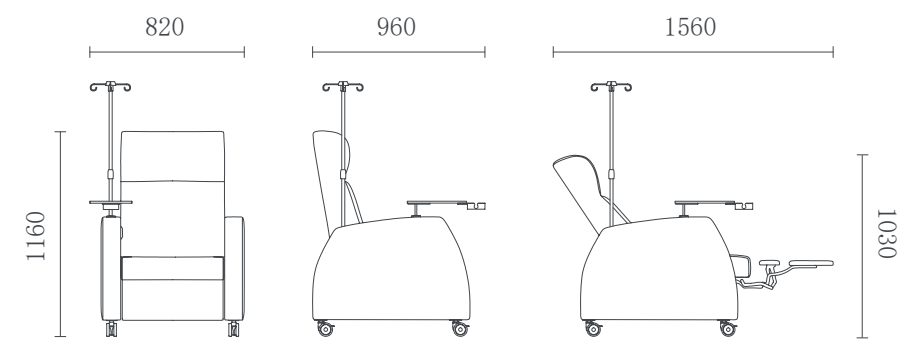
VIP infusion sofa



Electric function



LJ-FY0073



VIP infusion sofa



Electric function

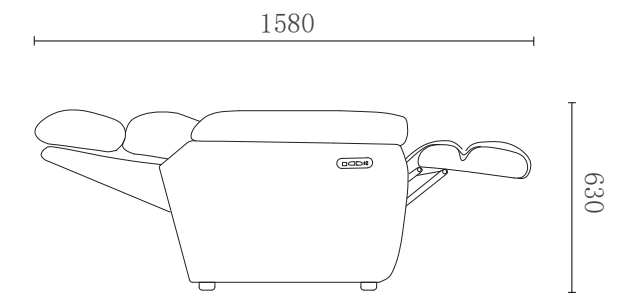
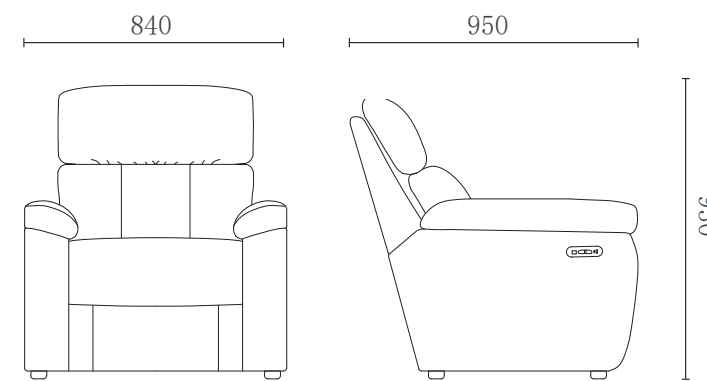


VIP infusion sofa

The infusion hall is an important service window for hospitals, with a large number of patients and various types of major diseases. In addition, patients are prone to irritability during the infusion process due to long waiting times, and the clean, comfortable, and warm environment and layout of the lobby have attracted much attention.



LJ-FY0168



VIP infusion sofa

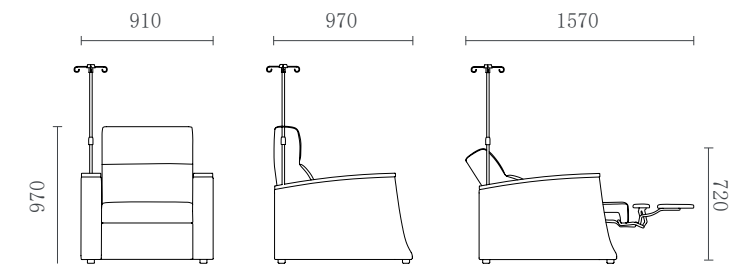
 Electric function



 Electric function



LJ-F30199



LJ-FY0165

Folded : W840 × D810 × H940
 Unfolded View : W840 × D1550 × H590



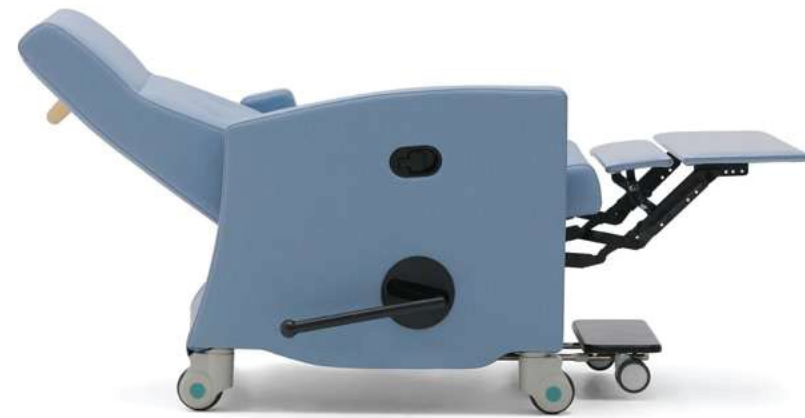
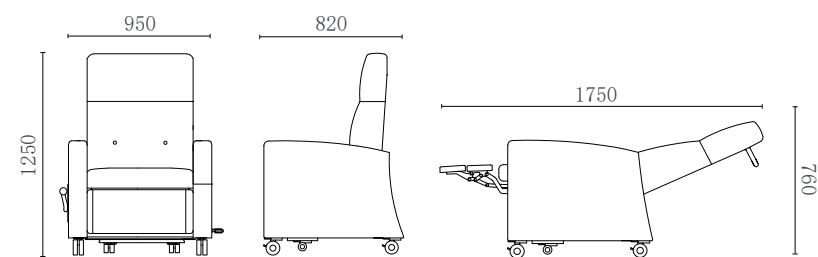
LJ-FY0093



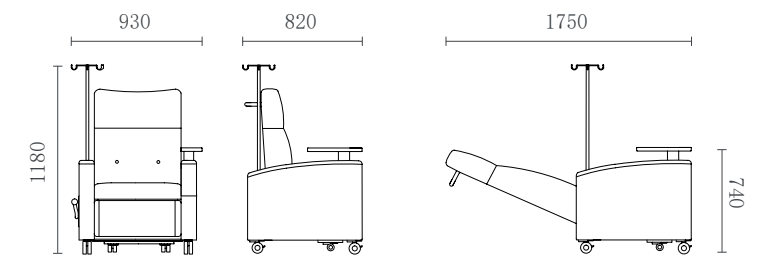
VIP infusion sofa



LJ-FY0178



LJ-FY30865



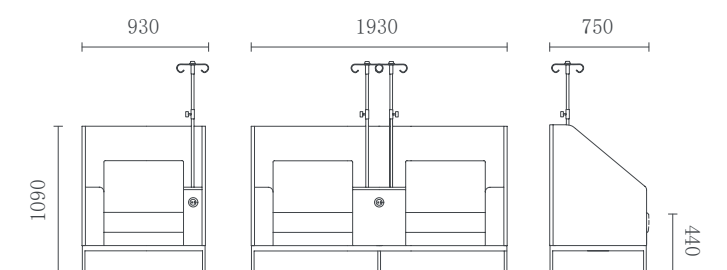


VIP infusion sofa



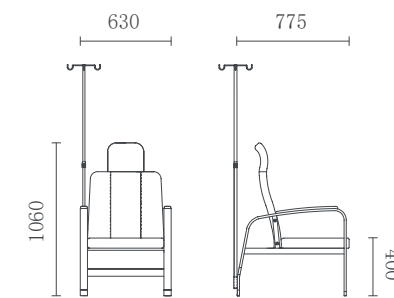
LJ-FY0068

The card seat design provides patients with a certain amount of private space, which can better rest and relieve discomfort; The backrest and seat cushion have no stitching, making it less prone to dirt and dirt accumulation, making it easy to clean and more in line with the requirements of the hospital; Meet the accompanying needs of family members in a row style. In addition, convenient measures such as cup slots and USB charging ports have been added to provide patients with the greatest humanistic care, suitable for VIP infusion areas.

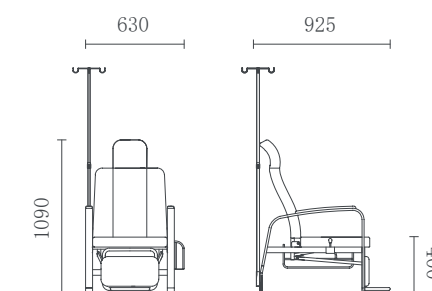




Lobby infusion chair



LJ-Z0038



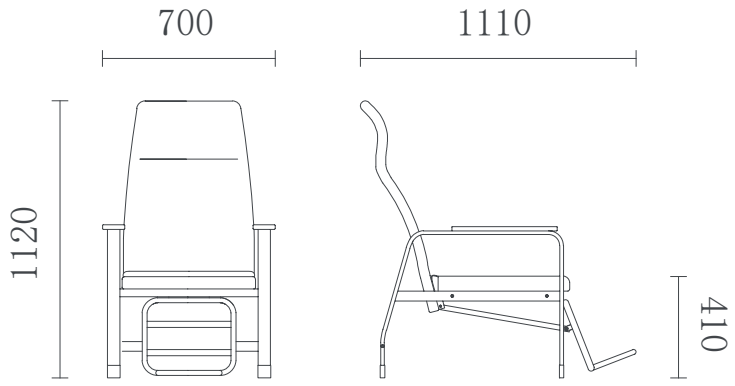
LJ-Z0039

According to ergonomic design, the chair frame is made of 2.0mm carbon steel pipe with a wall thickness to relieve fatigue after prolonged infusion and provide maximum care to patients.

The structure is rigorous, safe and reliable. PU armrest surface, more comfortable to touch and easy to clean, more durable! Suitable for the infusion area in the lobby (this model is an upgraded version of Z0038, capable of lying at 135° and equipped with a foot pedal).

Lobby infusion chair

According to ergonomic design, the chair frame is made of 2.0mm carbon steel pipe with a wall thickness to relieve fatigue after prolonged infusion and provide maximum care to patients.



LJ-Z0105



Fabric

1. Excellent corrosion resistance, UV disinfection resistance and anti-aging performance

The corrosion resistance of medical cleaning agents and disinfectants (glutaraldehyde, phenol concentrate, bleach, quaternary ammonium chloride+methanol, isopropanol, hydrogen peroxide, ANDEFU, etc.) that meet the hospital's hospital sense requirements is more than 650 hours, and has excellent ultraviolet disinfection resistance and anti-aging performance.

2. High wear resistance and durability

The fabric has a durability period of more than 3 years, and the wear resistance of Martindale reaches over 100000 times, making it very suitable for high-frequency usage density in public places such as hospitals.

3. Anti mold, antibacterial, anti harmful microorganisms, and antiviral properties

Conforming to ASTM D4576 and ASTM G21-13 level 0 standards, it reduces the presence of coronavirus by more than 90%, and its activity against coronavirus by 99.9%. It has a 99% killing effect on Staphylococcus aureus (MRSA), Escherichia coli, and Klebsiella pneumoniae.

4. Equipped with 100% waterproof and impermeable ability

The experimental hydrostatic pressure test reaches over 500mm.

Hardware

High quality cold rolled steel pipes and plates, with electrostatic powder spraying on the surface, good adhesion, corrosion resistance, and high wear resistance.

304 stainless steel, surface polished and brushed, wear-resistant and corrosion-resistant.

PU Swatches



DX503



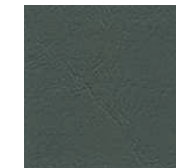
DX409



DX1007



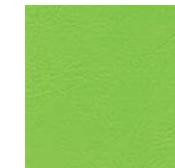
DX410



DX411



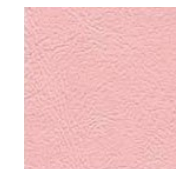
DX975



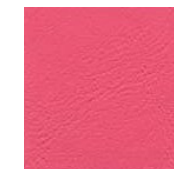
DX976



DX977



DX978



DX979



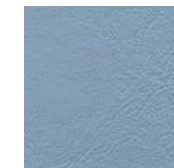
DX850



DX981



DX980



DX982



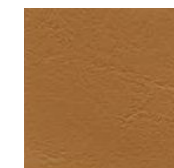
DX993



DX1352



DX1332



DX1359



DX1302

Contact us :
+966 92000 7575
www.alismail.com

Alismail
السماعيل للصناعة
Alismail Industrial


IRONMASTER