

ARIZONA FLYWHEELERS  
P.O. BOX 2012  
COTTONWOOD, AZ 86326

February Edition  
2023

ARIZONA FLYWHEELERS  
P.O. BOX 2012  
COTTONWOOD, AZ 86326

President Gary Covert  
928 -301- 0649

Vice President Jim  
Radley 928- 899- 5688

Treasurer Ginny Rensch  
928-300-4899

Secretary Barry Adico  
928- 634- 4490

## FEBRUARY 2023 NEWSLETTER

### *PRESIDENT'S LETTER,*

Well the show season is starting. The Welton show was a success and enjoyed by all. We all are looking forward to the next two shows one at Sahuaro Ranch and the second one at Apache Junction. The Pine show will be in May. We still have a major project to complete at a Cottonwood MVP school to get them started on their agricultural program. We have completed several projects for the area schools helping them get started or improve their agricultural projects. We feel any time the students are involved in growing food they will have a better understanding of what goes into raising food for them to eat.

### Gary Covert, President



Members receive recognition for our agriculture work with children from the Cottonwood Oak Creek School Board and Superintendent Mr. King.

### Meeting Schedule

March 1, 2023

April 5, 2023

No May meeting

### INSIDE THIS ISSUE

Presidents Message 1

Old engines ..... 2

Club photos ..... 3

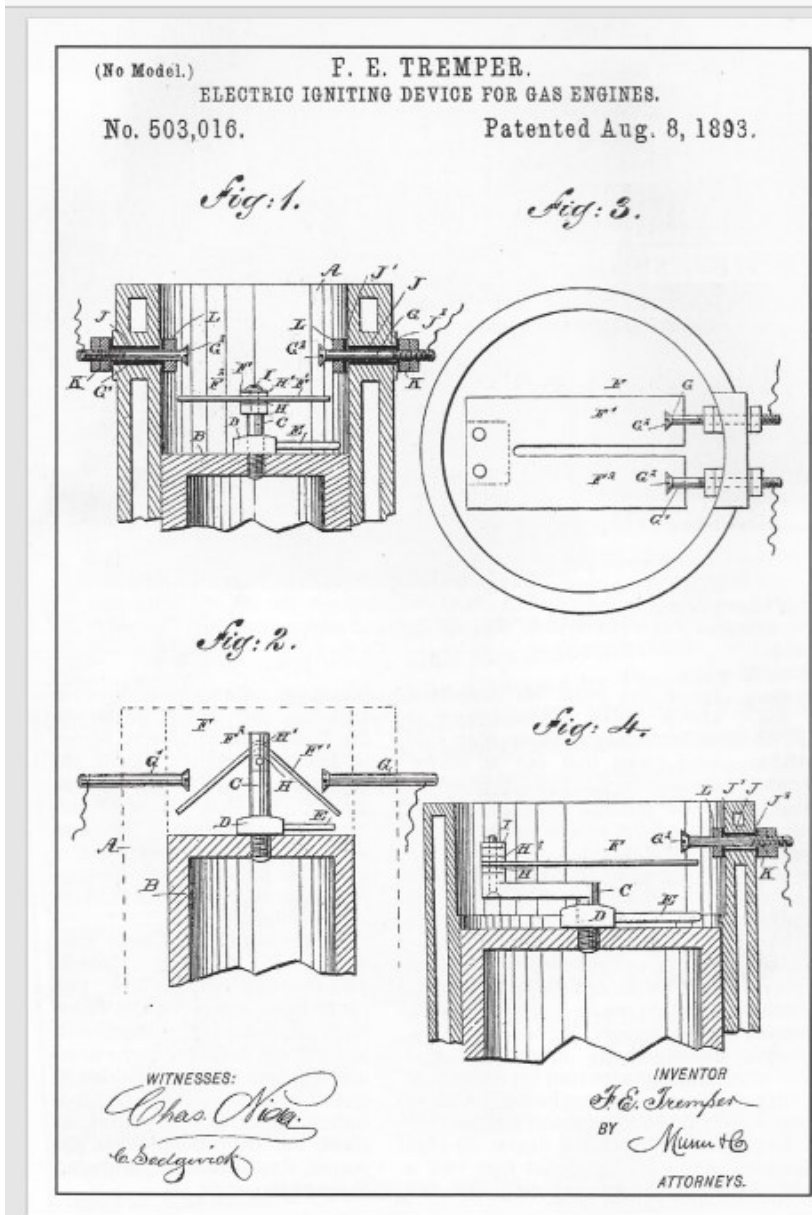
Club Activities ..... 4

Classified ads ..... 5

### UPCOMING EVENTS:

- **Glendale Show, Sahuaro Ranch, February 11, 2023**
- **Apache Junction, March 11, 2023**
- **Pine Show, May, date to be determined.**

***Important***  
**Dues are due for 2023**



## Early Ignition Systems

The early days of engines in the 1800's saw a lot of inventions and many are recorded with the U.S. Patent office, such as these early ignition designs by Frank E. Tremfer in 1893. The images illustrate three designs he produced for ignition inside the piston chamber with a bolt attached to the center of the piston head and a piece of thin metal. Two electrodes protruded into the chamber and when the parts touched, they created the needed ignition. These three designs are very interesting.

Some historians report that the first spark plugs were developed for the combustion engine in around 1860 by Étienne Lenoir, the man credited for its invention.

Early patents for spark plugs included those by Nikola Tesla (in U.S. Patent office for an ignition timing system, 1898), Frederick Richard Simms and Robert Bosch. All producing their own designs. In the early 1900s, a Frenchman named Albert Champion immigrated to the United States in 1889. As a sideline, Champion manufactured and sold spark plugs to support himself. In 1904, Champion moved to Flint, Michigan where he started the Champion Ignition Company for the manufacturing of spark plugs. Robert Bosch, trained in the United States, with Thomas A. Edison and the German electrical engineer Siegmund Bergmann, and along with his coworker G. Honold, invented the Bosch spark plug in 1902.

## Worth Repeating

## 2022 Changes went well

A major change in this years show was the way we entered and exited the Fair Grounds . This provided the security for the fair grounds folks and worked very well for our members. If you were not there, we had a separate entrance / exit away from the Main Entrance closer to 6th Street and the green recreation fields. The silent auction saw a change in the way it ended and the payment procedure. Winners went to an outside entrance, paid and were escorted to the winning items. A much more organized procedure that really made a difference. Thank you Steve and Linda Lombardo, Steve Fiedler, Barry Adico and others that helped make this a big success again this year.



## Photos 2023



Gary at Wellton Show January 2023 Gary's 12hp Stover Hit-N-miss



Troy with 1896 Braiding Machine  
@ Wellton Show 2023, Above and on Right

## WELCOME NEW

### MEMBERS

Jim Grain  
Cameron Bailey  
Herb Holmes  
Brandon Kram

### Member Passing.

Kelly Somer



### January 2023 Meeting

January 4, 2023 Meeting called to order at 7 AM by President Covert. Minutes were read and approved. The finance report was given by Steve Rench with a resultant balance of \$11,584.46 Vice President Radley had no comments. Upcoming shows at Wellton on January 20 & 21, and Sahuaro February 11, were announced. It was announced that Kelly Somers had passed away. Insurance was discussed, in attendance Paul Laipple from Prescott had some advice and comment. A motion was made and passed to raise our dues to \$25.00 beginning in 2024. Meeting adjourned at 7:45 A M

Barry A. , Secretary.





# Your club activities.



Ginny & Steve, presenting donation to the Widows Link, here in Cottonwood. Twice a month Lois Henderson hosts the widow ladies for this important event.

## *Club meeting Moved*

### *Club meeting Moved.*

Starting with the Wednesday, February 1st meeting, our monthly meetings, from now on, will be held at the Verde Valley Fairgrounds, in the boardroom at 7 AM. Come to the main office area and the entrance will be marked, Conference Room.

It is really appreciated that we can meet there. All our members should be familiar with the Fairgrounds and this meeting area is easy to access..

Free Coffee and doughnuts will be furnished.

The Verde Valley Fairgrounds are located at 800 E. Cherry Street, Cottonwood ( just down from the ACE Hardware store ).



Members working on Cornville school Agric. Program, concrete raised bed installation assistance. And leveling soil.



Club President Gary with Steve Rench presenting a check to a Clemenceau Museum volunteer for a needed upgrade.

## Meeting Minutes Feb. 1st 2023

Meeting called to order at 7 AM by President Covert.

Minutes were read and approved. Steve Rench gave the finance report and reported no activity with resultant balance of \$11,584.46.

Vice President Radley had no comment. Jack Castimore stated he plans a newsletter for February. Jack Castimore and Gary Covert went to the Welton show and commented that it was a good show

Feb 11 will be Sahuaro Ranch Show, March 11 will be the Apache Jct. Show. The insurance proposal draft was discussed. It was stated that director and officer coverage is desired. There will be a follow up meeting. Jack Castimore stated that the web site fee is small, however, he will check further. Steve King of the School Board informed us that he would like representation at their February meeting to be held on February 7 at 6 PM, at the District office. There was a thank you from Women's Link for our donation. Hunter Cowgill is doing a project at the Catholic School to earn his Eagle Scout Badge. We donated \$250 towards it. Ethan Cowgill is doing a project at the Cornville School to earn his Eagle Scout Badge we donated \$150 towards it. We will pay to have the posts set for the fence project at Mt. View Prep School. The fairgrounds desires a walk through gate at the South entrance which we will install.

Meeting adjourned at 7:40 AM

Barry A., Secretary

---

### **CLASSIFIED ADVERTISING**

#### **For Sale**

**International Type LB engine, 3-5HP, Serial # 38495, Made in 1944 with an International Magneto, Model H-1 Serial # 42790. Price \$350**

**Frank Baker 928-774-6545 Flagstaff, AZ**

**Working South Bend Lathe Model A Catalog # CL6442 plus misc accessories for \$3000.00 p/u in Sedona. Call Carol at 928-282-7549 or email [clm0266@aol.com](mailto:clm0266@aol.com) MSC metal cutting bandsaw model #9513052 for \$50.00 p/u in Sedona. Call Carol at 928-282-7549 or email [clm0266@aol.com](mailto:clm0266@aol.com)**

---

#### **WANTED:**

- PLACE YOUR AD HERE

Contact: jack Castimore at [jcastimore@hotmail.com](mailto:jcastimore@hotmail.com)

An interesting video for those that have internet access:

150 CASE Road Locomotive pulling 44 bottom John Deere plow

[2021 RECORD! 150 CASE Road Locomotive pulling 44 bottom John Deere plow - YouTube](#)

## Meeting Minutes

December 7, 2022 Meeting called to order at 7 AM by President Covert. Minutes were read and approved. No finance report was given, however, President Covert announced in absence of Steve Rench that we have a balance of \$11,794.00. No sickness was announced, comment was made that Kelly Somers was feeling "under the weather." A statement was made that we check the Camp Verde High School programs for a possible donation to be made. Jack Castimore is in Alaska. The Christmas parade was successful although our participation is much less than in prior years. The Fall Festival at the Cornville School was a success. Wellton will have a show January 20, 21. Last year we made 3 donations totaling \$300. This year a motion was made and passed to donate \$150 each to Widow's Link and Bread of Life. A check will be made on the status of our insurance policy and Steve Fielder volunteered to review our current policy. Steve Fielder also presented a new silent auction bid form. Meeting was adjourned at 7:35 AM

Barry A., Secretary





# More for on-line readers.



Members working on the Cornville School garden project for raised beds.



Members working on Cornville school Agric. Program, concrete raised bed installation assistance. And leveling soil.

## Club planned projects:

V.V. Fairgrounds gate repairs.

MVP school Agric. Program starting with a fence installation.

Cornville school Agric. Program, concrete raised bed installation assistance.



Our members attend many of the engine and tractor shows around the state, such as the recent Wellton show, including **Bill Lanier (left)**, Don Meakin, Dave Myers, Gary Covert, Bonnie & Paul Vander Hulst, Red Ronnebaum, Brennan Peters, Paul Klusman, Jack & Troy Castimore, Tom & Bill Trainor, and more.



Additional email version;



**Dues**

It is time to pay your annual dues. The amount will be \$15. per year. A dues form is included below. Please email me with any dues questions. My email address is [rench8@gmail.com](mailto:rench8@gmail.com) or call Treasurer Ginny Rench 928-300-4899

Ginny Rench  
Treasurer for the Arizona Flywheelers  
P. O. Box 2012  
Cottonwood, AZ 86326

**Tee shirts \$ 12**  
**polo shirts \$22-24**  
**Hats \$12**



**ARIZONA FLYWHEELERS**  
MEMBERSHIP AND BADGE APPLICATION  
PO BOX 2012, COTTONWOOD, AZ 86326-2012

DATE \_\_\_\_\_

NAME \_\_\_\_\_ SPOUSE \_\_\_\_\_

ADDRESS \_\_\_\_\_

CITY \_\_\_\_\_ STATE \_\_\_\_\_ ZIP \_\_\_\_\_

TELEPHONE (\_\_\_\_) \_\_\_\_\_ E-MAIL ADDRESS: \_\_\_\_\_

NEW MEMBER       RENEWAL

DUES: \$15.00 FAMILY  
BADGES: \$13.00 EACH (CLIP OR PIN)  
\$15.50 EACH (MAGNET)  
Pins & badges will be mailed to you

AMOUNT PAID: \_\_\_\_\_  
AMOUNT PAID: \_\_\_\_\_  
AMOUNT PAID: \_\_\_\_\_  
TOTAL PAID: \_\_\_\_\_

NAME(S) DESIRED ON BADGE:

(1) \_\_\_\_\_  
(2) \_\_\_\_\_

MONTHLY BREAKFAST / BUSINESS MEETINGS  
7 AM - FIRST WEDNESDAY OF MONTH AT DENNY'S IN COTTWOOD

Please make checks payable to **Arizona Flywheelers** and mail to:

3-15-2021

**Arizona Flywheelers, P. O. Box 2012, Cottonwood, AZ 86326**



# ARIZONA FLYWHEELERS

ARIZONA FLYWHEELERS  
P.O. BOX 2012  
COTTONWOOD, AZ 86326



ARIZONA FLYWHEELERS  
P.O. BOX 2012  
COTTONWOOD, AZ 86326  
President Gary Covert  
928 301 0649  
Vice President Jim Radley  
928 899 5688  
Treasurer Ginny Rench  
928 300-4899  
Secretary Barry Adico 928  
928 634 4490

**Important  
Dues are due for 2023**

## **Membership dues are payable**

Membership dues are payable by January 1st

Dues are 15.00 dollars per year. Badges are \$13.00 or \$15.00 each, Hats are \$12.00 and Tee shirts are \$ 10.00. Polo shirts are \$22.,& \$24 for 2xl. Order from Arizona Flywheelers, P.O.Box 2012, Cottonwood, 86326

Cottonwood, AZ 86326. Make checks payable to Arizona Flywheelers. Thank you

**Please visit our website - [www.arizonaflywheelers.com](http://www.arizonaflywheelers.com)**