

APPLICATION

The PVS Process Equipment 16-01 Series Bulk Bag Unloader is designed with flexibility to accommodate a wide range of bulk bags containing a variety of material types. Through intelligent packaging, bulk bags can be unloaded within a small foot print allowing for utilization in tight spaces or low head room applications. This unit reduces suspended load hazards and provides active pinch-point protection, maintaining the focus on operator safety first and foremost. Bags can be emptied into a range of receiving devices for integration to positive pressure, negative pressure or gravity conveying applications.

DESIGN

The 16-01 Series Bulk Bag Unloader features modular upper and lower frameworks combined to safely support the bulk bag and its contents. The bulk bag can be loaded into the unit by integral hoist, fork truck, or customer supplied hoist. Regardless of the loading method utilized, each unit is designed so the operator never stands directly under the bulk bag during any phase of positioning and discharging the bag's contents. A safety cell containing the discharge snout and connection provide both operator protection during untying while preventing spillage. An inflation collar seals the bag snout within the cell, further containing dust generated from the unloading operation. Simple touch screen control allows for easy change out operation and adjustment to system settings.

STANDARD SPECIFICATIONS

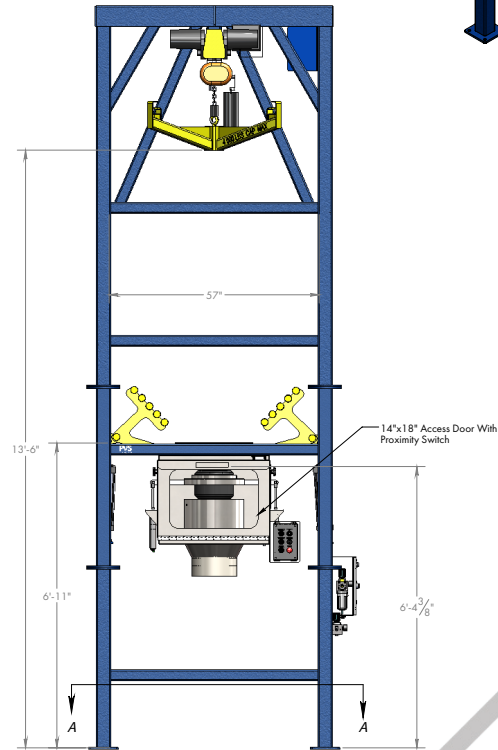
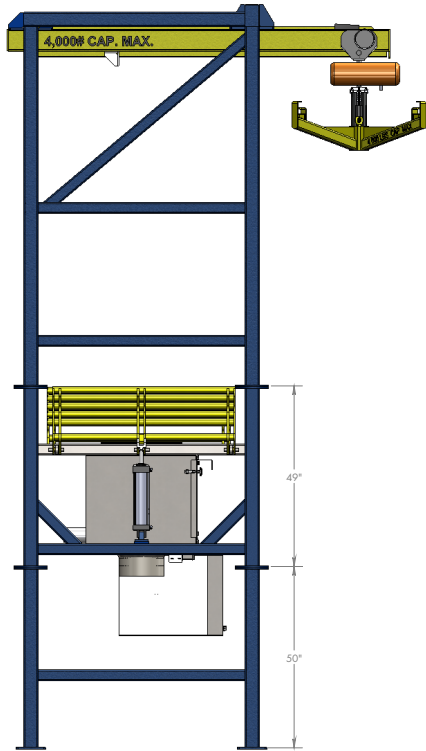
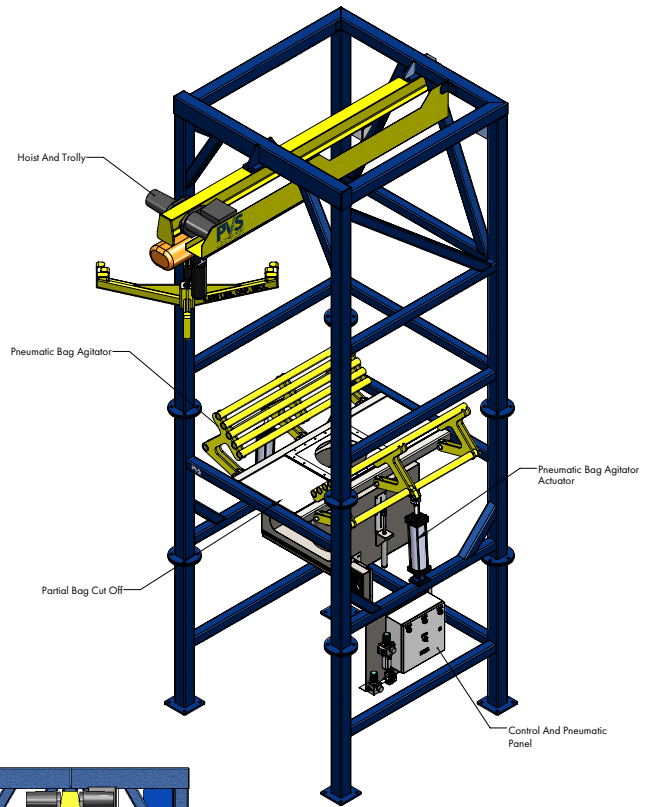
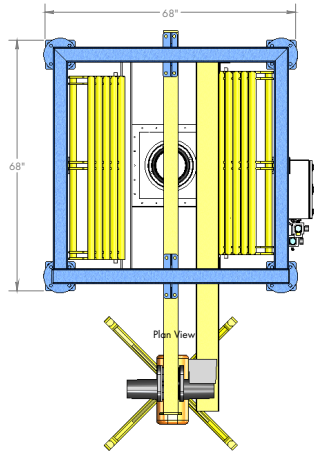
- Heavy Duty Tubular Construction
- Textured Powder Coat Finish
- Electric Hoist & Trolley
- Compressed Air Preparation Kit
- Precision Regulator
- Inflation Collar & Manual Switch
- Flexible Bag Snout

OPTIONS

- Stainless Steel Construction
- Forklift Style Loading Frame
- Vibratory Table
- Bag Massager Arms
- Automatic Flow Cut Off
- Sealed Untie Box
- Snout Extender
- Dump Station Integration
- Dust Collection Integration



DIMENSIONS OF THE 16-01 SERIES FOUR POST UNLOADER



UTILITY REQUIREMENTS:

Electrical:

- 15 AMP at 460 VAC, 3 Phase, 60 Hertz

Compressed Air:

- 4-6 CFM at 90 PSI (Intermittent Duty)
 - Clean & Dry, Free of Oil & Dirt

*Note: All utility connections at control panel, field located

CUSTOMER DRIVEN SOLUTIONS.

PVS Process Equipment | 2600 Hamburg Turnpike Suite A | Buffalo, NY 14218
 p. 716-646-0181 | f. 716-646-0157

CALL PVS TODAY
855.244.9533



Drawing data is for general reference ONLY. Certified drawings for your application available upon request.