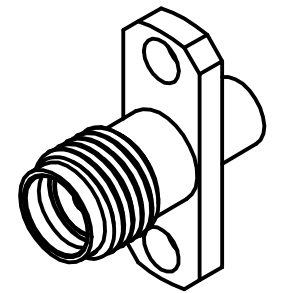
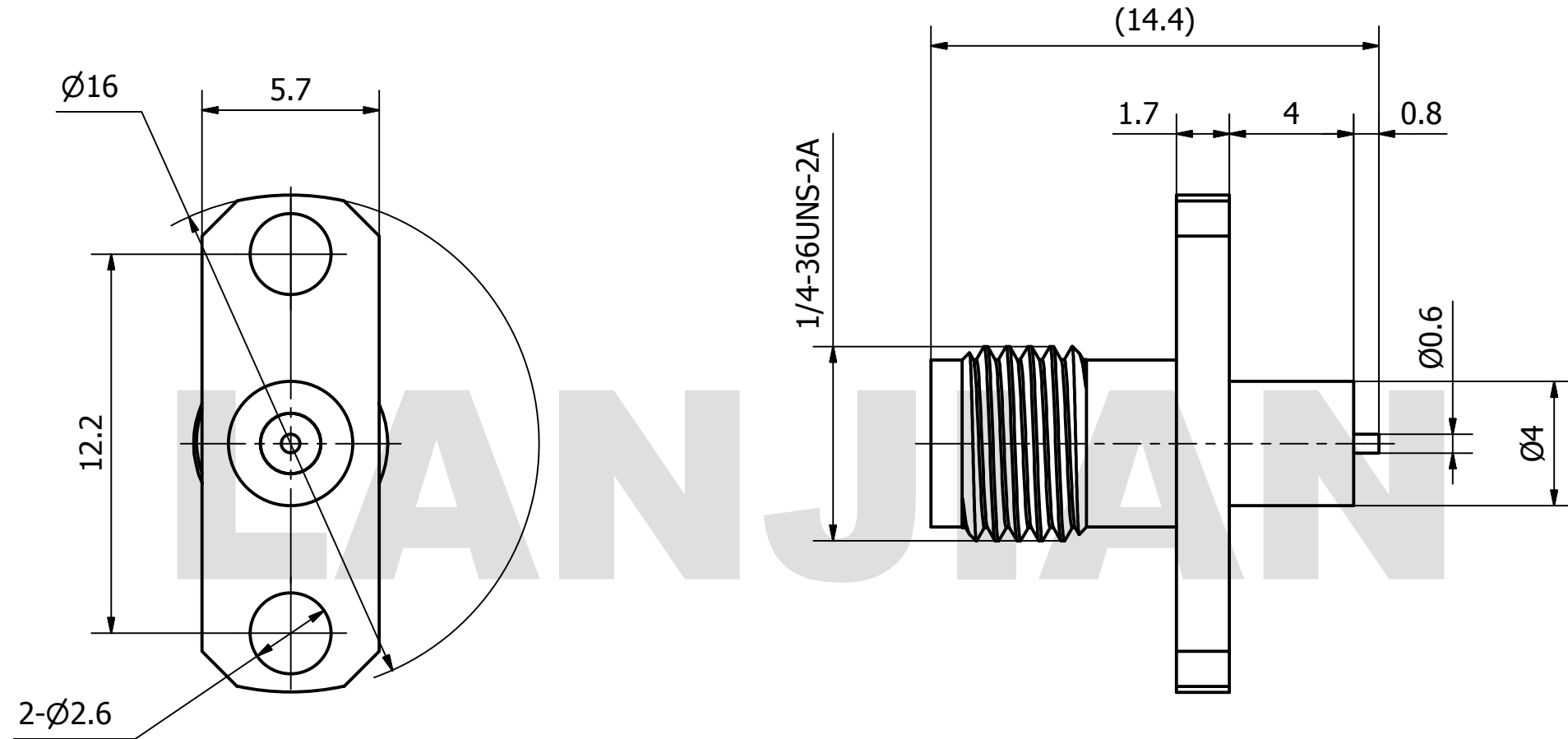
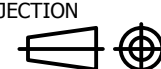



PRODUCT DATA SHEET



MATERIAL:
 BODY: BRASS,
 ALLOY NO. UNS C37710
 CONTACT: BERYLLIUM COPPER PER ASTM B196.
 ALLOY NO. UNS C17300
 INSULATOR: PTFE PER ASTM D1710

PERFORMANCE:
 IMPEDANCE: 50 OHMS
 FREQUENCY: 0 TO 18 GHz
 VSWR: ≤ 1.20

THIS DOCUMENT CONTAINS CONFIDENTIAL AND PROPRIETARY INFORMATION THAT CANNOT BE REPRODUCED OR DIVULGED, IN WHOLE OR IN PART, WITHOUT WRITTEN AUTHORIZATION FROM "LANJIAN ELECTRONICS"	MATERIAL :		
	UNLESS OTHERWISE SPECIFIED: DIMENSIONS IN MM		
	TOLERANCES :		
	X.X	± 0.20	ANGULAR : $\pm 1^\circ$
	X.XX	± 0.10	FILLETS R/C : ± 0.10
	X.XXX	± 0.01	SURFACE FINISH : Ra 1.6
			DEBURR AND BREAK SHARP EDGES
		NAME	DATE
	DRAWN		
	CHK'D		
APPV'D			
MFG			
	PROJECTION	SIZE	SCALE
		A3	5 : 1



38 Hengtong Road, Xinqu Dingmao
Zhenjiang, 212009, Jiangsu, P. R. China

TITLE	
SMA-KFD99 straight micro-strip connector	
DWG No. GCPZ3.660.A.016	REV.
DO NOT SCALE THE DRAWING	PAGE 1 / 1