

Regain the freedom of your home



The Acorn 130 Stairlift

The Acorn 130 Stairlift is one of the most advanced and widely used stairlifts in the world, helping hundreds of thousands of people worldwide to safely and comfortably use their stairs and enjoy their homes again.

Every aspect of the Acorn 130 Stairlift has been designed to the highest standards of comfort and safety. Our years of experience have helped us to create a stairlift that is built purely with the end-user in mind.

The Acorn 130 Stairlift is powered by a maintenance-free DC powered battery pack, which ensures uninterrupted use, even in the event of a power outage.

With a built-in soft start and stop mechanism, the Acorn 130 provides a smooth and comfortable ride every time.

Another feature pioneered by Acorn is the on-board diagnostic control panel which alerts you to any potential problems before they arise, (e.g. the stairlift has accidentally been switched off or incorrectly parked).

The Acorn 130 Stairlift has also earned the prestigious Ease-of-Use Commendation from the Arthritis Foundation, further proving how safe, comfortable and easy to use it is. When not in use, the Acorn 130 folds up, nice and easy, so that everyone can continue to use the stairs.

Also available:

- Hinged Rail - for when a standard rail may present an obstruction at the foot of the stairs.
- Outdoor Stairlift - fully weather-proofed for outdoor use.



Give your life a lift®
Enjoy the home you love

A wealth of features for your benefit



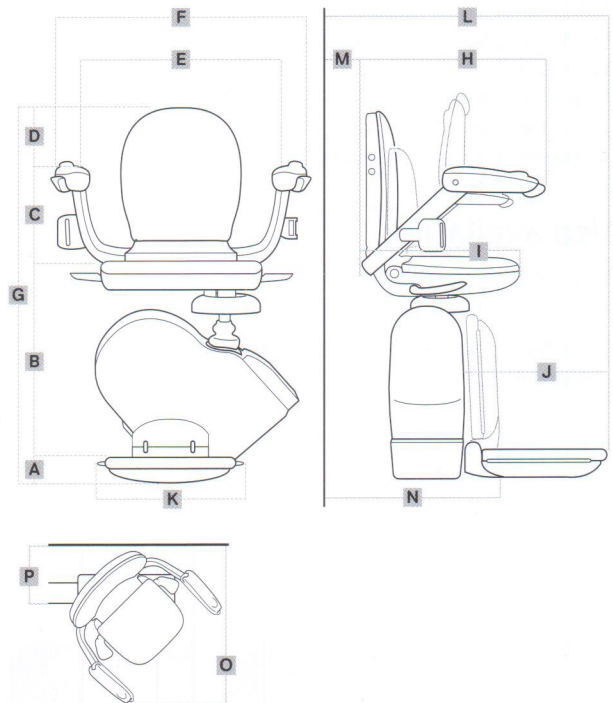
- 1 Padded seat and backrest.
- 2 Easy to use controls.
- 3 Secure safety belt.
- 4 Folding arms, footrest and seat allow easy access to the stairway.
- 5 Swivel seat - no need for twisting the body to get on and off the lift.
- 6 Lockable on/off switch allows the user to prevent others (e.g. children) from using the lift.
- 7 Diagnostic digital display informs the user of the status of the lift.
- 8 Five safety sensors on the footrest and carriage stop the lift automatically if any obstruction is encountered.
- 9 Hand-held remote controls allow users to 'call' or 'send' the lift up and down the staircase.

Dimensions

	inch	mm
A Floor to top of footrest	3¾	95
B Top of footrest to top of seat	17½	445
C Top of seat to top of arms	9¾	250
D Top of arms to top of seat back	7½	190
E Width between armrests (Wide arm version)	17½ (19½)	445 (495)
F Overall width	23¾	605
G Overall height	38½	980
H Length of arms from seat back	18½	470
I Length of seat base from seat back	17	435
J Length of footrest	12¾	325
K Width of footrest	12¾	310
L Front of footrest to stringer	22½	570
M Back of seat to stringer	½	13
N Folded width	12¾	310
O Minimum width required to swivel at top	26¾	670
P Distance from front of rail to stringer (Wide arm version)	8½ (9½)	215 (240)

Specifications

Motor Power	0.25KW (USA)
Motor Output Speed	No greater than 0.15 m/s (USA)
Method of Drive	Rack and Pinion
Power Supply	24V DC (battery)
Maximum Capacity	300lbs (optional 350lbs)
Track	Extruded Aluminium
Mains Supply	120V AC, 1.5 Amp Charger



Dealer Stamp

Acorn reserves the right to change specifications without notice. All measurements are approximate. Images are shown for illustrative purposes only. Product may vary slightly.