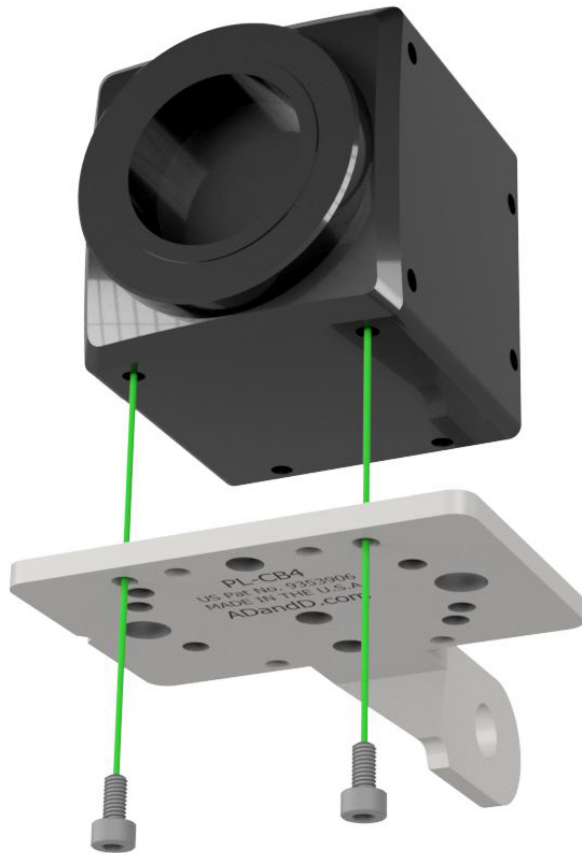


# ADandD P/N PL-CB4

Mounting for Keyence CA-H2100 C/M Camera

Mounts with included (2) S.H.C.S. - M3-0.5mm X 6mm 18-8SS



# Sample Setup Application

