

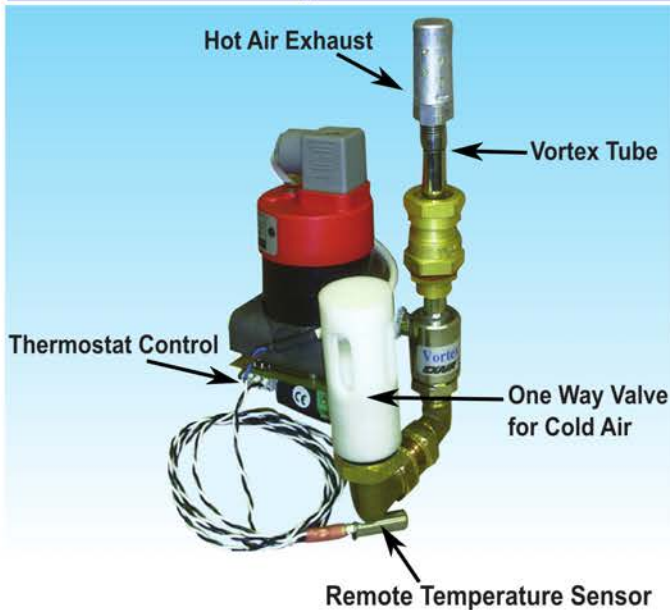


Data Sheet

Cabinet Cooler

For pressurized enclosures

AVC-0000-001
AVC-0000-003
AVC-0000-009



Overview

Expo Technologies Cabinet Cooler provides cooling for pressurized enclosures using compressed air. Cooling required either to remove heat generated by the contents of the enclosure, or to compensate for high ambient temperatures.

Features

- + One complete assembly, quick and easy to install.
- + Specifically designed to cool pressurized enclosures.
- + Unique one-way valve prevents leakage from the vortex exhaust when the cabinet cooler is not in operation.
- + For mounting in any wall of the pressurized enclosure.
- + The Cabinet Cooler has a remote electronic temperature sensor. This can be positioned as required to achieve maximum customer control.
- + Operates on 110-230 V AC after the purge has been completed and power has been applied to the enclosure. Option 24 Vdc.
- + Hot air exhaust is temperature limited. (T4).
- + No moving parts, giving high reliability.

Specification

GENERAL LAYOUT OF CABINET COOLER.

Power Supply:	AVC-0000-001 230 Vac. 50/60 Hz
	AVC-0000-003 24 Vdc.
	AVC-0000-009 110 Vac - 50/60 Hz
Air Supply:	60 - 100 psi 4 - 7 barg 25 scfm, 708 NI/min, at 100 psi 7 barg
Cooling Capacity:	300 W at 100 psi 7 barg 1023 Btu/hr
Temperature Control:	Electronic = +/-2°C , +/-3.6°F
Maximum Air Outlet Temperature:	130°C / 266°F

Approximate Weight: 1.5 kg (4 pounds)

Suitable for T4 at 40°C / 104°F ambient. Cooler control must be housed in an IP40 enclosure or better

Note:

The Vortex Cooler assembly will operate in all orientations. However, the cold air out check valve must be rotated to the vertical position using an extension pipe if required.

Temperature sensor, 35mm (13/8") long by 10mm (13/32") Dia is supplied and should be mounted at the top of the enclosure or the clients preferred position, using a 'P' clip.

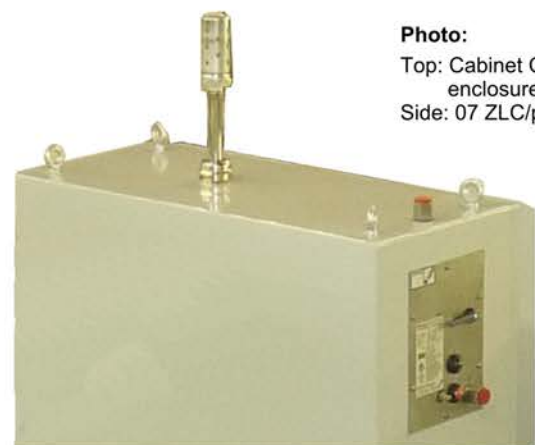


Photo:

Top: Cabinet Cooler in an enclosure.
Side: 07 ZLC/pm/IS.



Expo Technologies Ltd.
 Unit 2 The Summit
 Hanworth Road,
 Sunbury on Thames, TW16 5DB. UK
 Tel: +44 (0) 20 8398 8011
 Fax: +44 (0) 20 8398 8014
 Email: sales@expoworldwide.com

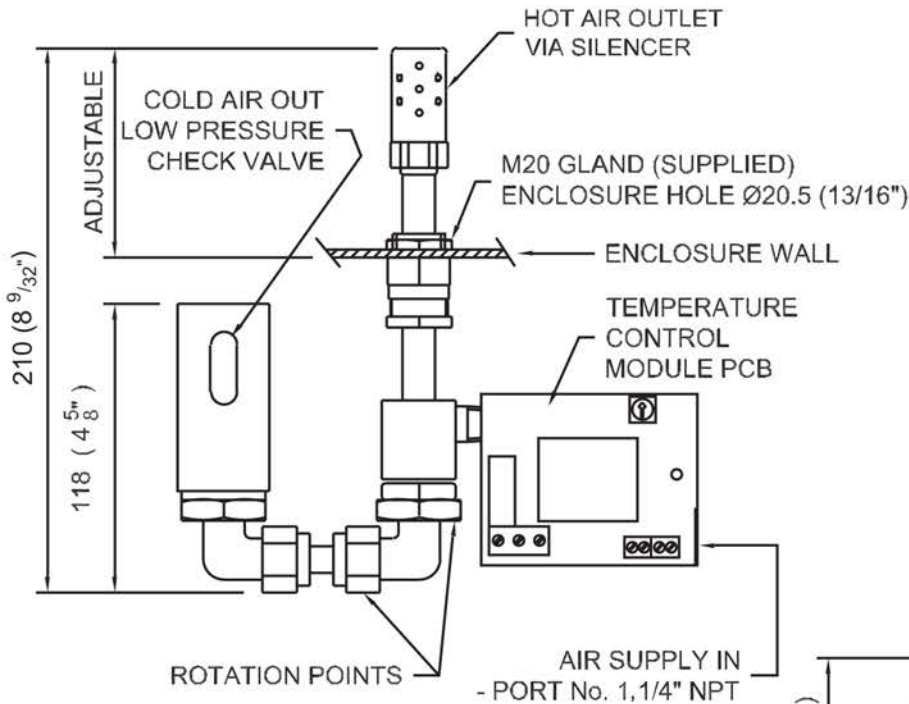
Purge + Pressurization + Innovation
www.expoworldwide.com



Expo Technologies Inc.
 9140 Ravenna Road Unit #3
 Twinsburg, OH 44087. USA
 Toll Free: (880)-NFPA-496
 Tel: +1 (440) 247 5314
 Fax: +1 (330) 487 0611
 Email: sales.na@expoworldwide.com

**Purge + Pressurization
+ Innovation.**

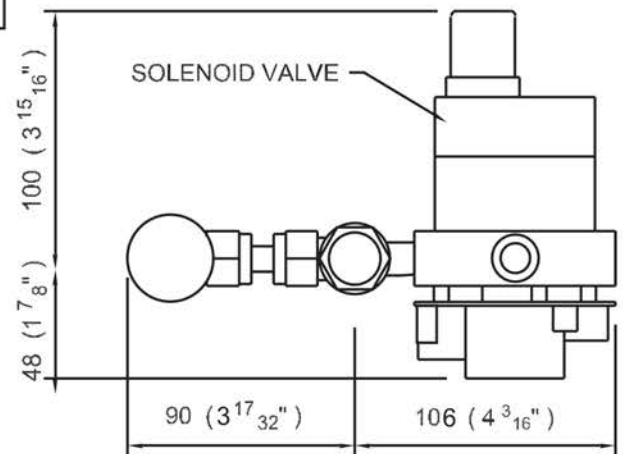
Technical Specification



AVC-0000-001

AVC-0000-003

AVC-0000-009



Temperature Control Module Connection Information

