
FREEZER TYPE
VF620-86

Internal dimensions (length x depth x height)

750 x 626 x 1276 mm

External dimensions (length x depth x height)

1055 x 890 x 1992 mm

Minimal transport dimensions (doors, elevators, corners)

1000 x 865 x 1982 mm

Net weight

360 kg

Shipping details:

Transport weight

470 kg

Transport volume

 3,07 m³

Transport dimensions (packed)

1260 x 1080 x 2250 mm

Temperature range

up to -86°C

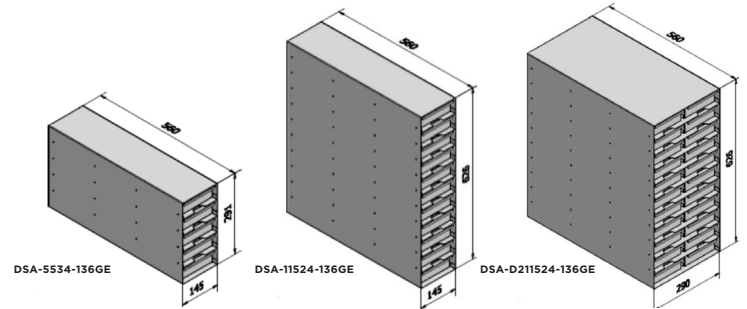
Volume

600 liters



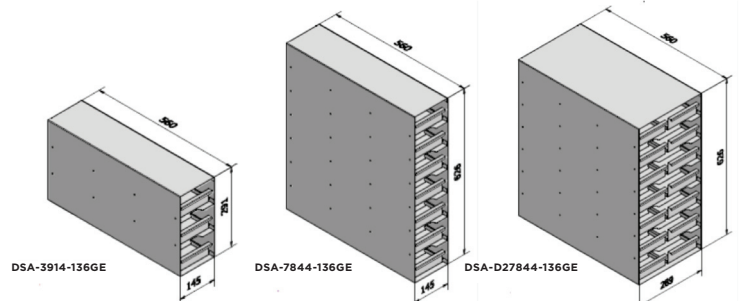
ALUMINIUM RACK (incl. drawers with grip) for: 50mm/2" boxes

article	comp./freezer racks total	drawers/rack	boxes/rack	boxes	max. box height	
DSA-5534-136GE	4	20	5	20	400	53
DSA-11524-136GE	2	10	11	44	440	52
DSA-11524-136GE		2	11	44		
+	2	+			440	52
DSA-D211524-136GE		4	22	88		



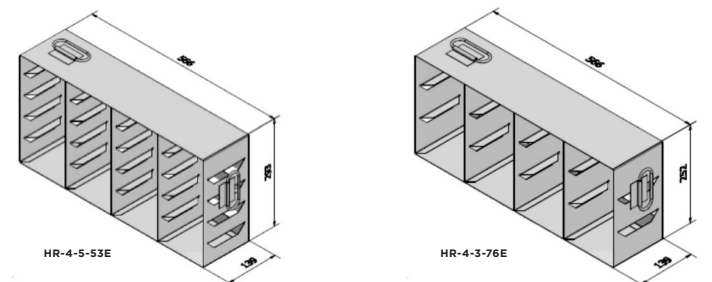
ALUMINIUM RACK (incl. drawers with grip) for: 75mm/3" boxes

article	comp./freezer racks total	drawers/rack	boxes/rack	boxes	max. box height	
DSA-3914-136GE	4	20	3	12	240	91
DSA-7844-136GE	2	10	7	28	280	84
DSA-7844-136GE		2	7	28		
+	2	+			280	84
DSA-D27844-136GE		4	14	56		



STAINLESS STEEL RACK (with grips) for: 50mm/2" and 75mm/3" boxes

article	comp./freezer racks total	boxes/rack	boxes	max. box height	
HR-4-5-53E	4	20	20/2"	400/2"	53
HR-4-3-76E	4	20	12/3"	240/3"	76



OPTIONS

CO₂ BACK-UP SYSTEM

Back-up cooling system

TEMPERATURE RECORDER

7-days/24 hours midi chart recorder, incl. chart paper, pen tip and battery

NOVO

Text-messenger to pre-programmed mobile phones when controller gives an alarm

COMMUNICATION BY iFreeze

Three different ways to communicate with the freezer.

1. Through USB-port
2. Via a local network (Ethernet)
3. Via Internet/webpage TCP/IP address

Snijders Scientific b.v.

www.snijders-scientific.com

Showroom and Testfacility

Gebroeders Salastraat 40
5048 AL Tilburg
The Netherlands

T +31 (0)13 463 36 00

F +31 (0)13 463 86 35

info@snijders-tilburg.nl

Office and Production

Laurent Janssensstraat 105
5048 AR Tilburg
The Netherlands

