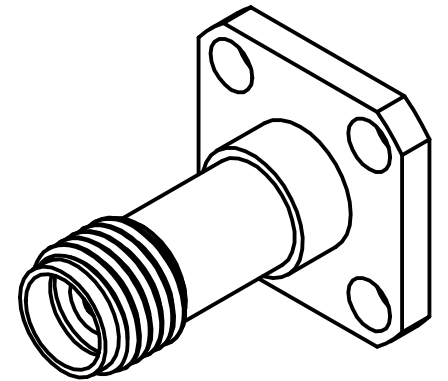
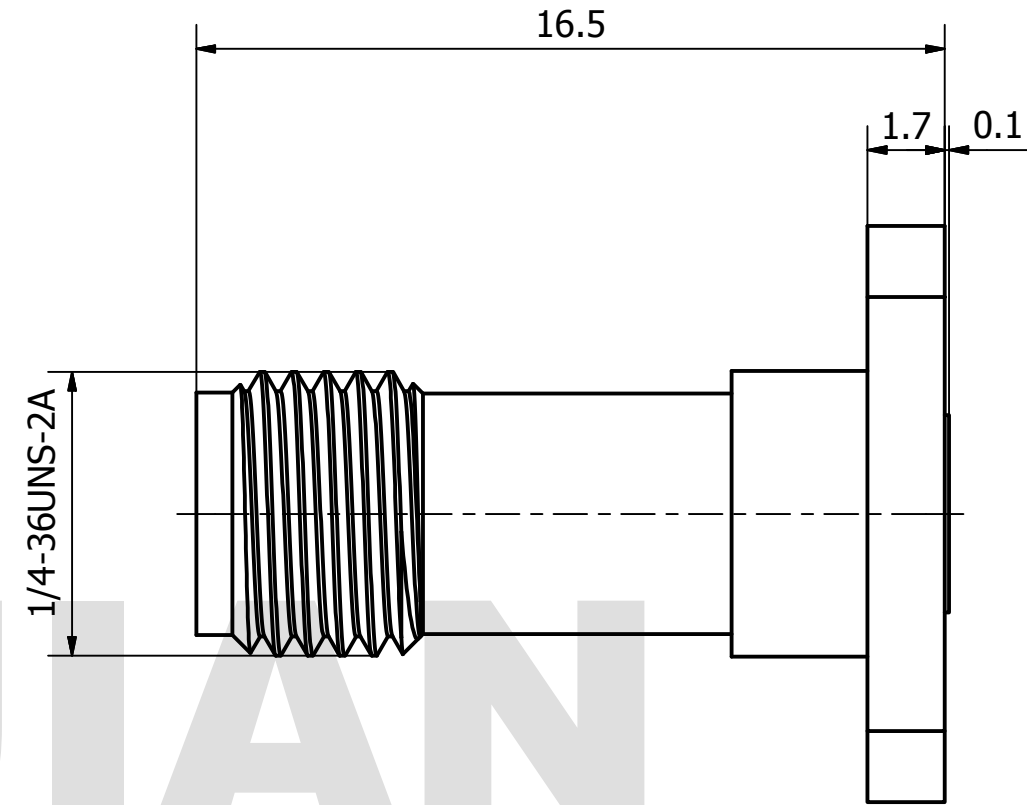
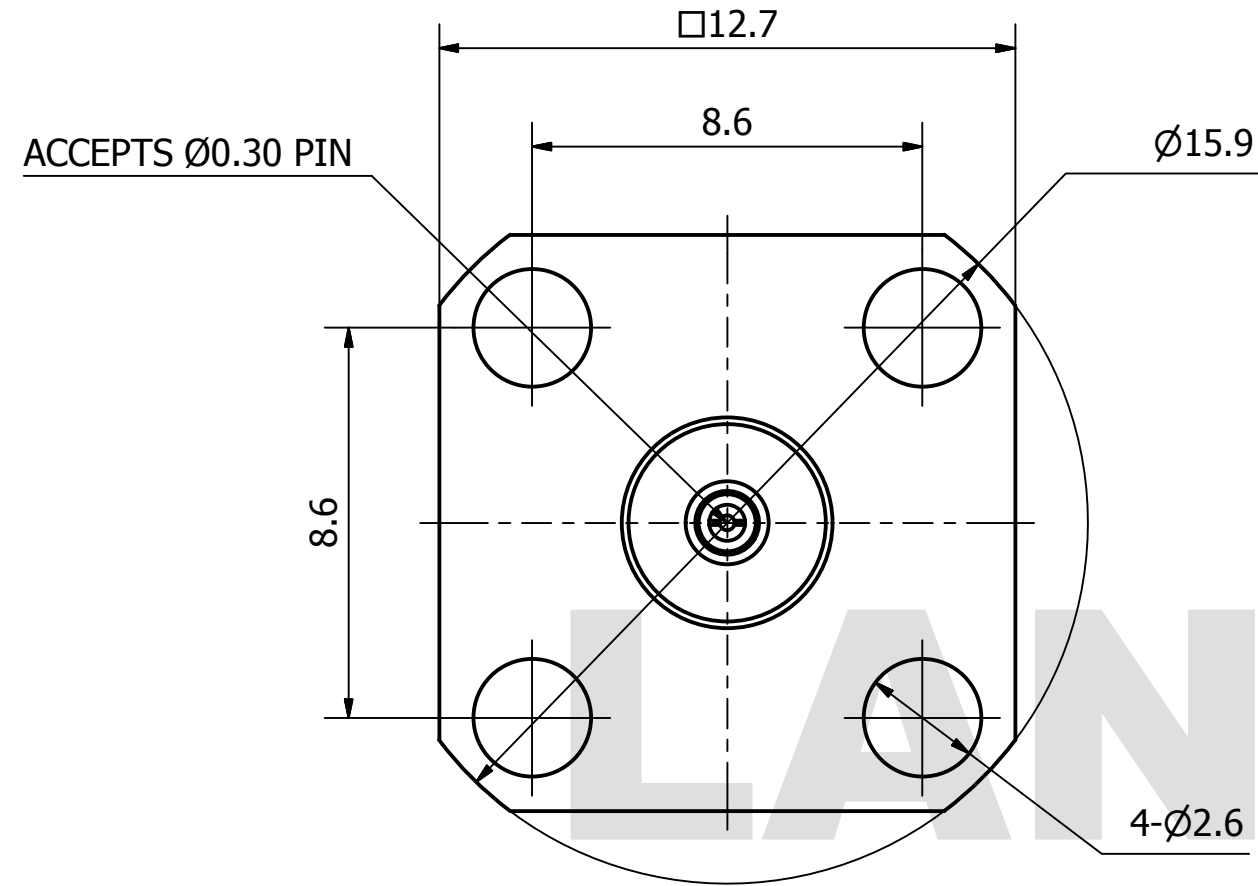


PRODUCT DATA SHEET



MATERIAL:
 BODY: STAINLESS STEEL,
 ALLOY UNS UNS S31603
 CONTACT: BERYLLIUM COPPER PER ASTM B196.
 ALLOY NO. UNS C17300
 INSULATOR: PEEK 381G

PERFORMANCE:
 IMPEDANCE: 50 OHMS
 FREQUENCY: 10 MHz TO 40 GHz
 VSWR: ≤1.25

THIS DOCUMENT CONTAINS CONFIDENTIAL AND PROPRIETARY INFORMATION THAT CANNOT BE REPRODUCED OR DIVULGED, IN WHOLE OR IN PART, WITHOUT WRITTEN AUTHORIZATION FROM "LANJIAN ELECTRONICS"	MATERIAL :			<p style="font-size: 8px; margin: 0;">38 Hengtong Road, Xinqu Dingmao Zhenjiang, 212009, Jiangsu, P. R. China</p>
	UNLESS OTHERWISE SPECIFIED: DIMENSIONS IN MM			
	TOLERANCES :			
	X.X	±0.20	ANGULAR : ±1°	DEBURR AND BREAK SHARP EDGES
	X.XX	±0.10	FILLETS R/C : ±0.10	
	X.XXX	±0.01	SURFACE FINISH : Ra 1.6	
	NAME	DATE	SIGNATURE	
DRAWN				
CHK'D				
APPV'D				
MFG				
PROJECTION		SIZE	SCALE	
		A3	6: 1	
DO NOT SCALE THE DRAWING			REV.	
GCPZ3.660.C.031			PAGE 1 / 1	

LANJIAN ELECTRONICS
 38 Hengtong Road, Xinqu Dingmao
 Zhenjiang, 212009, Jiangsu, P. R. China

2.92-KFD-17
 straight jack connector

DWG No. GCPZ3.660.C.031
 DO NOT SCALE THE DRAWING