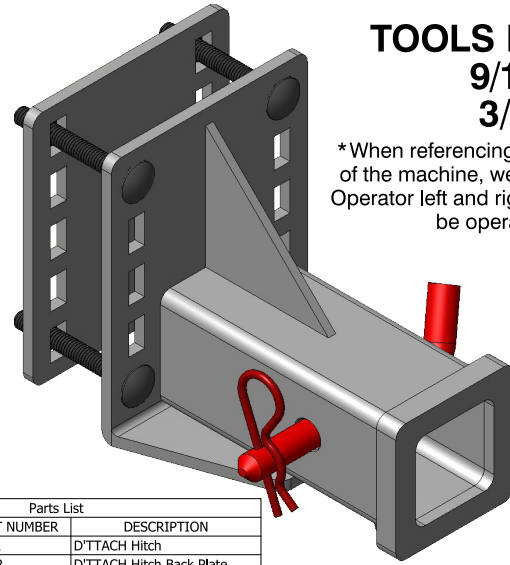
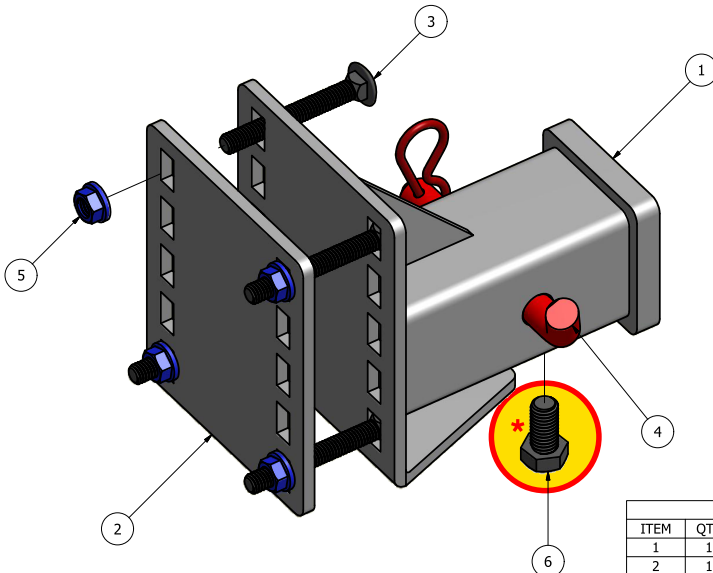




# INSTALLATION INSTRUCTIONS

## D'TTACH 2" HITCH ASSEMBLY (DTHALL-PRO)



### TOOLS REQUIRED

**9/16" Wrench**  
**3/4" Wrench**

\*When referencing left and right sides of the machine, we always refer to the Operator left and right while you would be operating the machine.

Parts List			
ITEM	QTY	PART NUMBER	DESCRIPTION
1	1	DTH01	D'TTACH Hitch
2	1	DTHBP	D'TTACH Hitch Back Plate
3	4	69860007	3/8-16 X 3.0" Carriage Bolt
4	1	DT58HP	5/8 Hitch Pin w/ Cotter Pin
5	4	69730014	3/8-16 Flange Nut
6	1	69715100	1/2-13 X 1.0" LG Hex Bolt

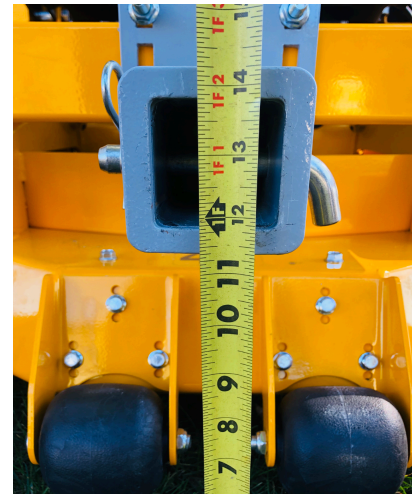
  

REVISION HISTORY	
REV	DATE
D	1/20/2021

- 1) Install the hitch and back plate to the mower cross member bar, centering with unit and setting the height as close to 13" to center of hitch as possible. (The ground to the center of the hitch tube - see picture below)
- 2) You can achieve the proper height of installation (13" from ground to center of hitch tube) by installing the carriage bolts through the hitch and hitch plate within the series of five vertical mounting holes.
- 3) Tighten the four carriage bolts, securely installing the DTHALL to the mower cross member.
- 4) **Secure & Tighten Hex Bolt (#6) OPTIONAL. \* NOT FOR USE WITH DETHATCHER RAKE, RAKE NEEDS TO BE ABLE TO PIVOT FOR BEST PERFORMANCE.**

*HITCH DISCLAIMER: 90 Day Limited, 1 yr Structural Warranty*

*The D'ttatch Front Mount Hitch is not an "Automotive Class Hitch". It is a mower accessory that is used as a receiver for D'ttatch Commercial Mower Attachments and not intended to be used as an automobile hitch. Do not drive heavy attachments, such as the D'ttatch Pile Driver Leaf Plow or the KartMate Kart, excessively in the raised or "stow" position. The heavy weight of the attachment while driving will flex the hitch and potentially bend the hitch and void the warranty.*



Visit [www.dttach.com/support.html](http://www.dttach.com/support.html)

for Product Support, IPL's, Product Literature, Instructions & Tutorial Videos

D'ttatch MFG. 83-A Comsewogue Rd, E. Setauket, NY 11733 631-642-7445

Follow Us @dttachmfg



DTHALL INSTRUCTIONS.FS rev 04.07.21