



*Optimal Solutions for the Future*

# DNM 5AX series



---

**5-Axis Vertical  
Machining Center**

---

**DNM 5AX series**  
DNM 200/5AX  
DNM 350/5AX

---

ver. EN 160623 SU

Basic Information

Basic Structure  
Cutting  
Performance

Detailed Information

Options  
Capacity Diagram  
Specifications

Customer Support Service



# DNM 5AX series

The DNM 5AX Series are high performance 5 axes vertical machining centers designed for easy operation, even for users who have no previous experience of 5 axis machining.

## Contents

### 02 Product Overview

#### Basic Information

04 Basic Structure

07 Cutting Performance

#### Detailed Information

08 Standard / Optional Specifications

12 Capacity Diagram

15 Machine / NC Unit Specifications

18 Customer Support Service



### Optimized Column and Bed Design

High feedrate and precision have been realized by optimized column and bed design with 3D simulation technique.

### Direct Coupled Spindle

Direct-coupled spindle minimized noise and vibration. High speed and heavy-duty cutting can be performed with a single setting.

### High-precision Travel System

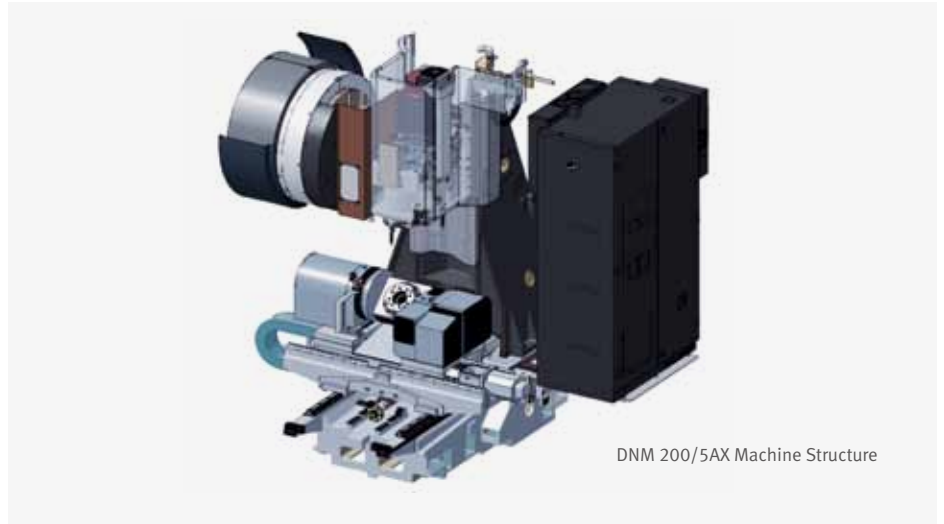
Roller-type LM guideways and high-rigidity coupling have been adopted to ensure excellent rigidity and accuracy of the X, Y and Z linear travel system.

## Basic Structure

High feedrate and precision cutting achieved by optimized column and bed design.

### High-precision Machine Structure

High speed cutting & the highest accuracy with high precision machine structure.



DNM 200/5AX Machine Structure

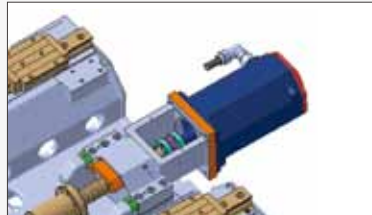
## Axis drive system

### High-precision Travel System

High rigidity and precision of the X,Y,Z axis drive systems are achieved by using roller type linear guideways and highly rigid couplings. Speed and accuracy are further enhanced with the nut cooling system which minimizes thermal error of ball screws.

(Nut cooling system : Only DNM 350/5AX)

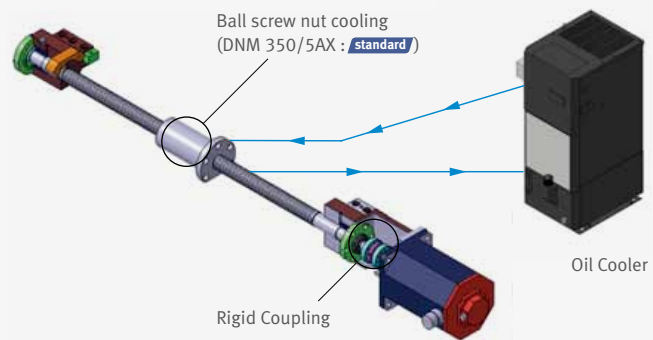
#### High Rigid Roller-type linear guideway



Rigidity and accuracy of feed system are improved with roller type linear guideway and coupling.



Roller type linear guideways



Item			X	Y	Z
DNM 200/5AX	Travels	mm (inch)	400 (+200, -200) (15.75 (+7.87, -7.87))	435 (+180, -255) (17.13 (+7.09, -10.04))	500 (19.69)
	Rapid traverse	m/min (ipm)	36 (1417.3)	36 (1417.3)	30 (1181.1)
DNM 350/5AX	Travels	mm (inch)	600 (23.62)	655 (25.79)	500 (19.69)
	Rapid traverse	m/min (ipm)	36 (1417.3)	36 (1417.3)	30 (1181.1)

## Tool Changer

Along with rapid tool change that enables higher productivity, a wide range of choices is available for tool magazines.

### Automatic Tool Changer (ATC)

Enhanced productivity achieved with the CAM-type tool changer that supports faster tool changing.



Item	Number of tools (ea)	T-T (s)
DNM 200/5AX	30 (40)	1.3
DNM 350/5AX	30 (40, 60)	1.3

## Rotary table

Wide machining area for various workpiece and machine set up.

### Max. Size & Weight of Work

#### DNM 200/5AX

Max. workpiece swing diameter x height

**Ø300 x 200mm (11.8 / 7.9 inch)**

Table loading capacity (A-axis 0°)

**60kg (132.3 lb)**

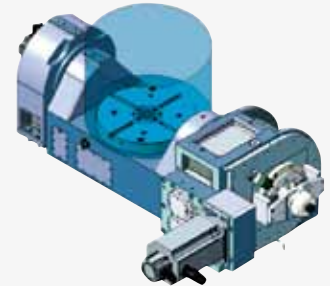
#### DNM 350/5AX

Max. workpiece swing diameter x height

**Ø400 x 335mm (15.7 / 13.2 inch)**

Table loading capacity

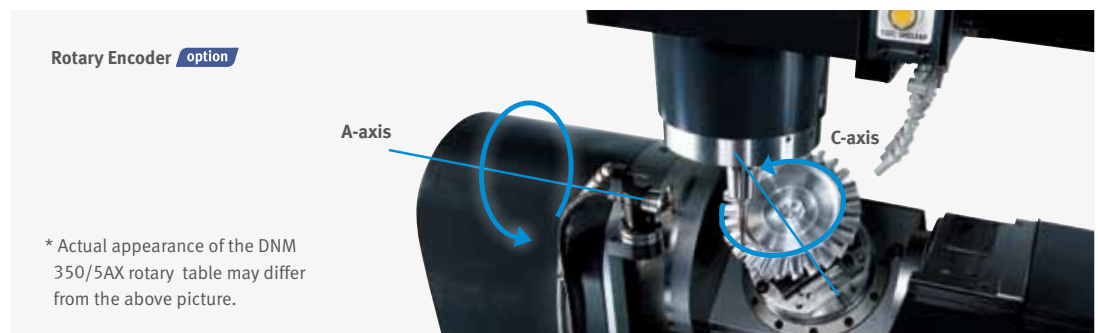
**250kg (551.1 lb)**



\* Actual appearance of the DNM 200/5AX rotary table may differ from the above picture.

### Rotary Table

- Applied with high-rigidity, high-precision axial and radial roller bearings
- Backlash reduced with higher structural stability
- A and C axes are hydraulically clamped for maximum rigidity



Rotary Encoder **option**

\* Actual appearance of the DNM 350/5AX rotary table may differ from the above picture.

Item		A-axis	C-axis
DNM 200/5AX	Travels (deg)	150 (+30, -120)	360
	Rapid traverse (r/min)	20	30
DNM 350/5AX	Travels (deg)	150 (+30, -120)	360
	Rapid traverse (r/min)	20	30



## Spindle

Direct-coupled spindle head minimizes noise and vibration.

### Direct Coupled High Precision Spindle

Direct coupled, high precision spindles supports high speed and heavy duty cutting in a single set up. Machining performance is optimised by minimising vibration and noise, while power loss at high speed is also minimised.



Max. spindle speed

**12000r/min**

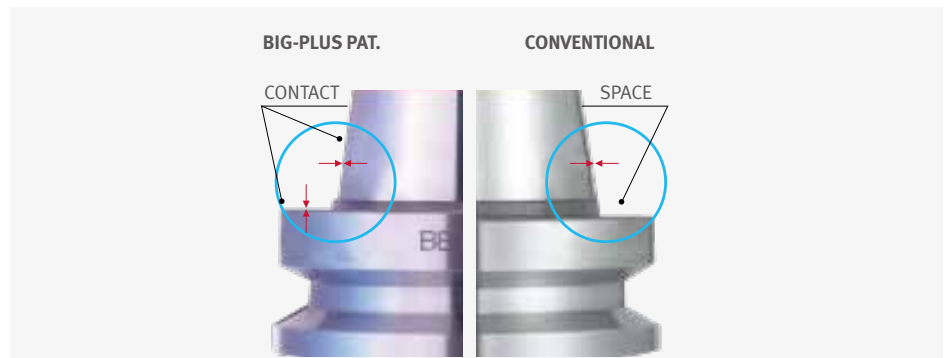
(DNM 350/5AX : 20000 r/min option)

Spindle motor power

**18.5 / 11kW**  
(24.8 / 14.8 Hp)

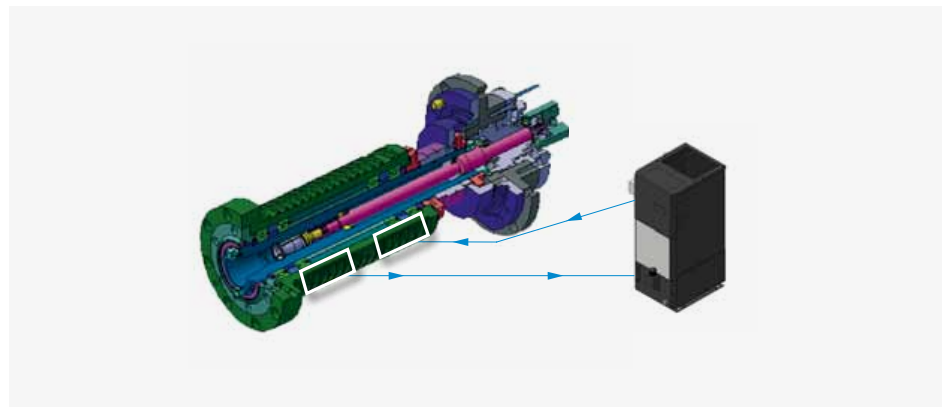
### Dual Contact Spindle

Tool rigidity is enhanced by firm clamping with the spindle, while tool life cycle and cut-surface roughness are improved due to reduced vibration realized by dual contact spindle.



### Spindle Cooling

High-accuracy oil cooler minimizes thermal error of the spindle by removing the heat generated at the bearings and motor.





## Cutting Performance

From high-speed machining to heavy duty cutting, diverse machining processes are applicable for complex-shaped workpiece.

### DNM 200/5AX

<b>Face mill</b> Carbon steel (SM45C)			
ø80mm Face Mill (6Z)			
Machining removal rate	Spindle speed	Feed rate	
269 cm <sup>3</sup> /min (16.42 inch <sup>3</sup> )	1500 r/min	2100 mm/min (82.7 ipm)	
<b>Drill</b> Carbon steel (SM45C)			
ø32mm Drill (2Z)			
Spindle speed		Feed rate	
1200 r/min		120 mm/min (4.7 ipm)	
<b>Tap</b> Carbon steel (SM45C)			
ø73mm Drill (2Z)			
Tool		Spindle speed	
M30 x 3.5		212 r/min	

### DNM 350/5AX

<b>Face mill</b> Carbon steel (SM45C)			
ø80mm Face Mill (5Z)			
Machining removal rate	Spindle speed	Feed rate	
365 cm <sup>3</sup> /min (22.3 inch <sup>3</sup> )	1500 r/min	1900 mm/min (74.8 ipm)	
<b>Drill</b> Carbon steel (SM45C)			
ø40mm Drill (2Z)			
Spindle speed		Feed rate	
1200 r/min		180 mm/min (7.09 ipm)	
<b>Tap</b> Carbon steel (SM45C)			
ø73mm Drill (2Z)			
Tool		Spindle speed	
M30 x 3.5		212 r/min	

\* The results, indicated in this catalogue are provides as example. They may not be obtained due to differences in cutting conditions and environmental conditions during measurement.



## Standard / Optional Specifications

Diverse optional features are available to meet specific customer requirements.

● Standard ○ Optional X N/A

### Basic Information

Basic Structure  
Cutting  
Performance

### Detailed Information

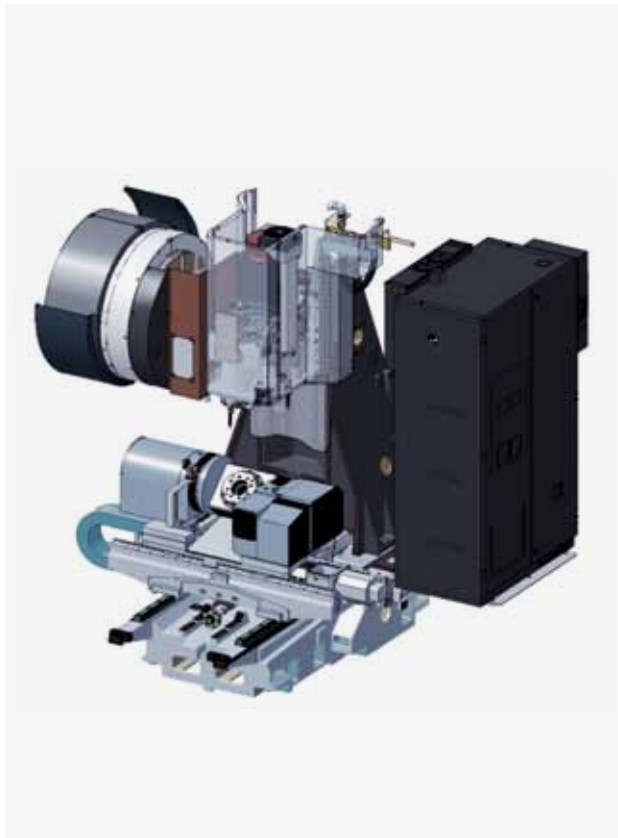
Options  
Capacity Diagram  
Specifications

### Customer Support Service

NO.	Description	Features	DNM 200/5AX	DNM 350/5AX
1	Air blower		○	○
2	Air gun		○	○
3	Automatic tool changer	30 Tools	●	●
4		40 Tools	○	○
5		60 Tools	X	○
6	Automatic tool measurement	TS27R : RENISHAW	○	○
7	Automatic workpiece measurement	NONE	●	●
8		OMP60_RENISHAW	○	○
9	Chip conveyor	Hinge / Scraper / Drum filter type		
10	Coolant gun		○	○
11	Coolant Tank		●	●
12	Easy Operation Package	Tool load monitor	●	●
13		Alram / M-code / G-code / ATC recovery help	●	●
14		Table moving for setup / Easy work coordinate setting	●	●
15	Electric cabinet air conditioner		○	○
16	Electric cabinet light		○	○
17	Electric cabinet line filter		○	○
18	Linear scale	X Axis	○	○
19		Y Axis	○	○
20		Z Axis	○	○
21	MPG	1 MPG_PORTABLE TYPE	●	●
22		1 MPG_PORTABLE_W/ENABLE TYPE	○	○
23		3 MPG_PORTABLE	○	○
24	NC System	DOOSAN FANUC i	●	●
25		FANUC 31iB5	X	○
26		HEIDENHAIN	X	○
27	NC system lcd size	10.4 inch_FANUC (Color)	●	●
28		15.1 inch_HEIDENHAIN (Color)	X	○
29	Oil Skimmer	Belt Type	○	○
30	Power transformer		○	○
31	Shower coolant		○	○
32	Spindle motor power	18.5 / 11 kW (24.8 / 14.8 Hp)	●	●
33		22 / 18.5 kW (29.5 / 24.8 Hp)	X	○
34		22 / 11 kW (29.5 / 14.8 Hp)	X	○
35	Spindle speed	12000 r/min	●	●
36		20000 r/min	X	○
37	Test bar		○	○
38	Through spindle coolant	NONE	●	●
39		1.5 KW_2.0 MPA	○	○
40		4.0 KW_2.0 MPA	○	○
41		5.5 KW_7.0 MPA_DUAL BAG FILTER	○	○
42	Work & tool counter	WORK / TOOL	○	○



## Peripheral Equipment



### 1. Chip conveyor option

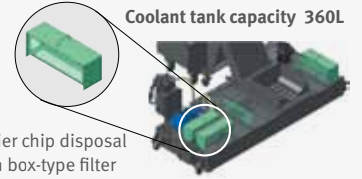


Hinge type

Scraper type

Drum filter type

### 2. Large capacity coolant tank built-in with chip pan and box filter



Easier chip disposal with box-type filter

### 3. Shower coolant option



### 4. Coolant system



### 5. Auto-door type top cover

The top cover helps enhancing convenience when loading /unloading heavy workpiece on the processing table.



### 6. Internal screw conveyor



## Intelligent Kinematic Compensation for 5-axis Recommended Option

For high accuracy 5-axis machining, Intelligent Kinematic Compensation function is recommended. This function minimizes error in complex 5-axis machining applications by maintaining tip of the tool in correct position in respect to the workpiece. In order to properly utilize this function, following four optional items are required.



### Recommended optional items

#### 1. Software



FANUC NC: DCP-i (Developed by DOOSAN)



Heidenhain NC: Kinematic opt

#### 2. Receiver



#### 3. Touch Probe



#### 4. Datum ball





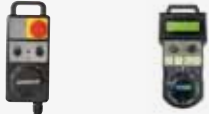



## Convenience

Operator convenience and work efficiency have been improved with adoption of various convenient control functions and ergonomic design.

## Operating Console



<p><b>1.</b> 10.4" Color TFT LCD Monitor</p> 	<p><b>2.</b> Membrane Keyboard</p> 	<p><b>3.</b> Portable MPG      LCD Portable MPG Handle <small>option</small></p> 
<p><b>4.</b> Hot Key</p> 	<p><b>5.</b> Swiveling Operation Panel</p> <p>The operation panel can swivel up to 100° improving user convenience.</p>	

## Convenient Absolute Feed

The current position of the machine is stored and maintained using battery power. Zero point return is not necessary after a power cycle.

## System Condition Indicator



## LED Indoor Work Light

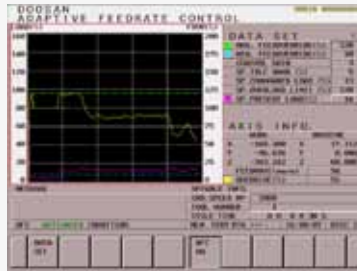




## Easy Operation Package (E.O.P)

These Doosan software packages have been customized to provide fast and easy setup of tooling, workpiece, and program. These functions minimize the idle time caused by process setup and maximize the machine's productivity.

### Adaptive Feed Control (AFC)



Function to control feedrate so that the cutting can be carried out at a constant load (To adapt to the spindle load set up with constant load feedrate control function)

### Tool Management



Function to manage tool information [Tool information]  
- Tool No. / Tool name  
- Tool condition : normal, large diameter, worn/damaged, used for the first time, manual

### Tool Load Monitor



Function to automatically monitor tool load (Different loads can be set for one tool according to M700 ~ M704)

### Pattern Cycle & Engraving



Function to create frequently-used cutting programs automatically  
- Pattern Cycle: creates a program for a pre-defined shape  
- Engraving: creates a program for cutting a shape described with characters **option**

### Work Offset Setting



Function to configure various work offset settings

### Alarm Guidance



Function to show detailed info on frequently triggered alarms and recommended actions

### Sensor Status Monitor



Function to view sensor conditions of the machine

### ATC Recovery



Function to view detailed info with recommended actions and to perform step-by-step operation manually (when an alarm is triggered during an ATC operation)

# Spindle

## Basic Information

- Basic Structure
- Cutting
- Performance

## Detailed Information

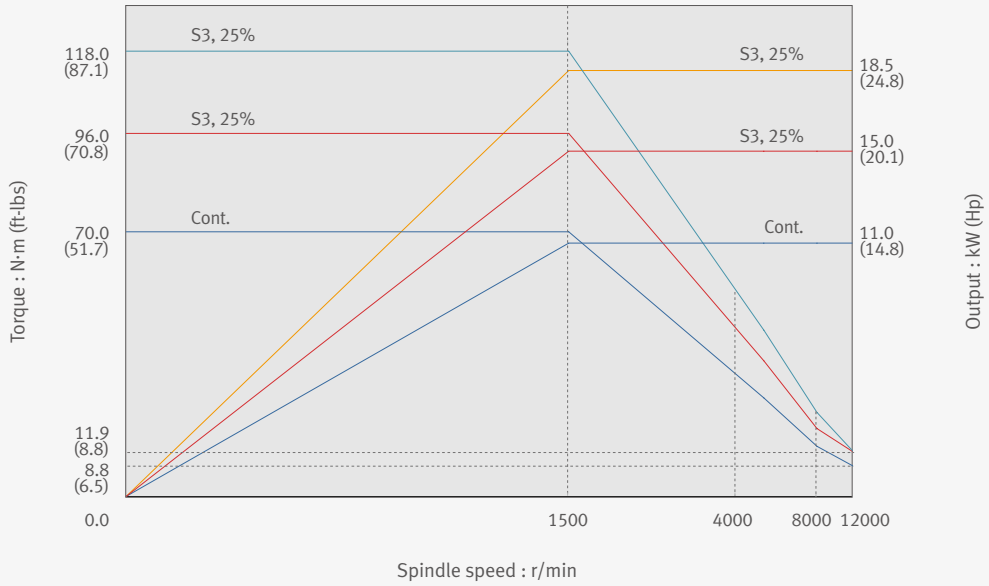
- Options
- Capacity Diagram
- Specifications

## Customer Support Service

## Spindle Power – Torque Diagram

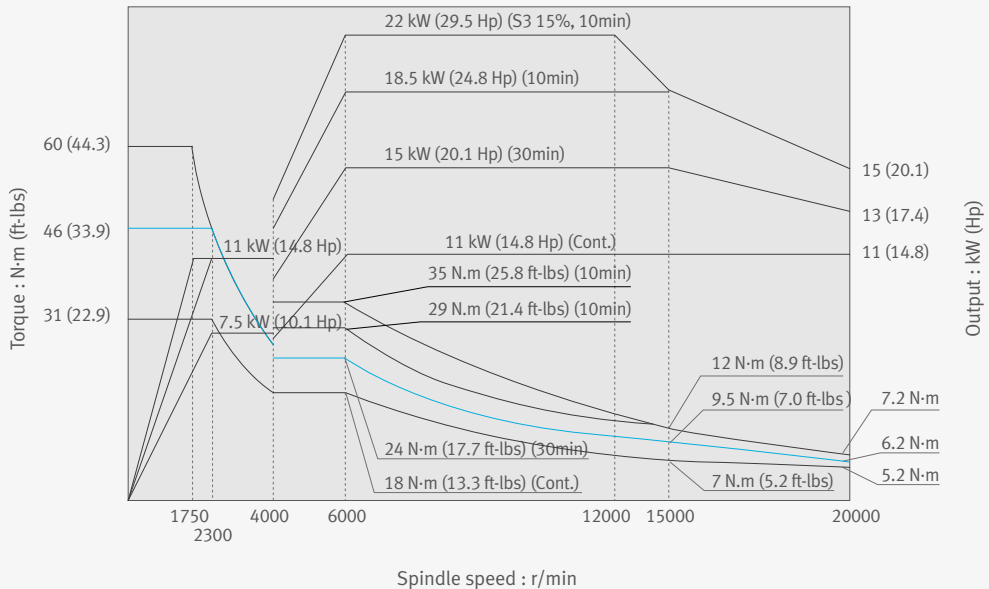
### DNM 200/5AX & DNM 350/5AX

Max. spindle speed : 12000 r/min  
 Spindle motor power : 18.5 / 11 kW (24.8 / 14.8 Hp)



### DNM 350/5AX

Max. spindle speed : 20000 r/min **option** (Only DNM 350/5AX)  
 Spindle motor power : 22 / 11 kW (29.5 / 14.8 Hp)

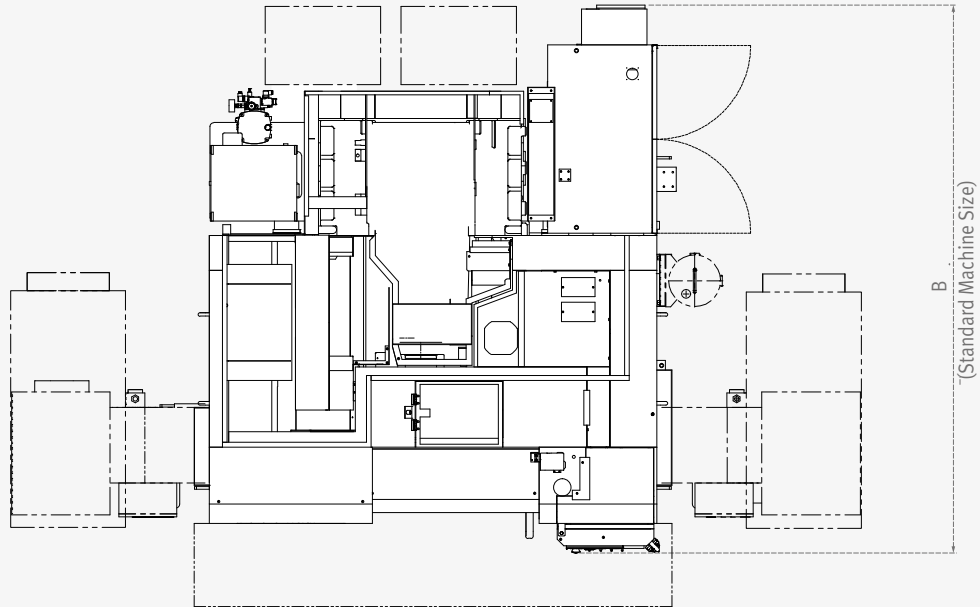


## External Dimensions

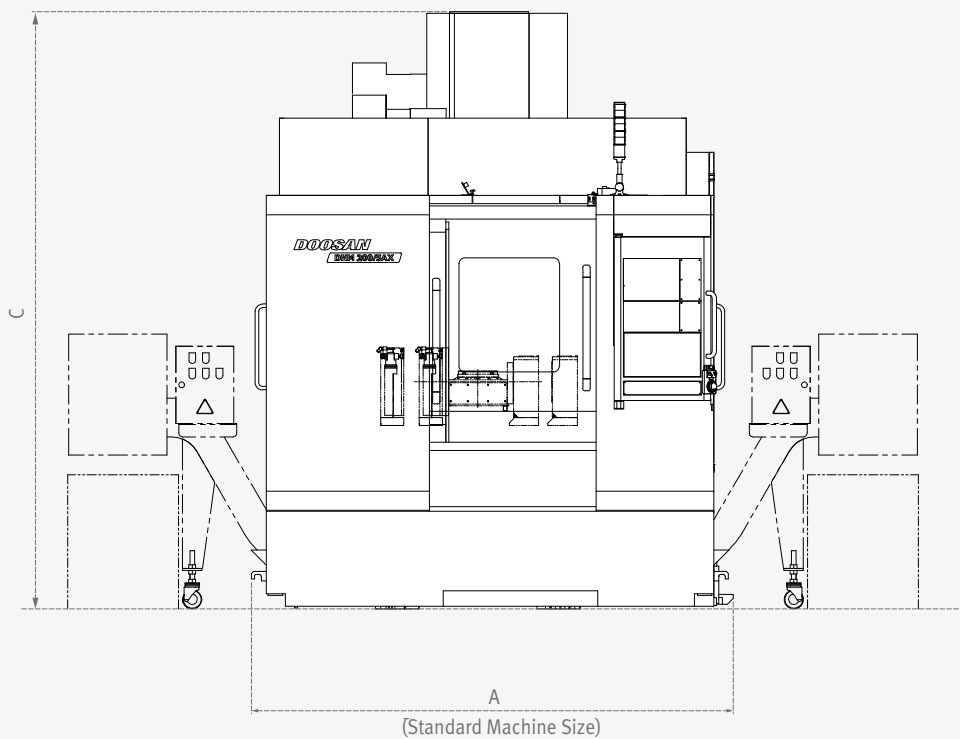
### DNM 200/5AX

Unit: mm (inch)

Top View



Front View



Model	A [with Chip Conveyor]	B	C
DNM 200/5AX	2490 [3447] (98.0 [135.7])	2835 (111.6)	3091 (121.7)
DNM 350/5AX	3150 [4085] (124.0 [160.8])	3209 (126.3)	3190 (125.6)

Table dimension

Basic Information

Basic Structure  
Cutting  
Performance

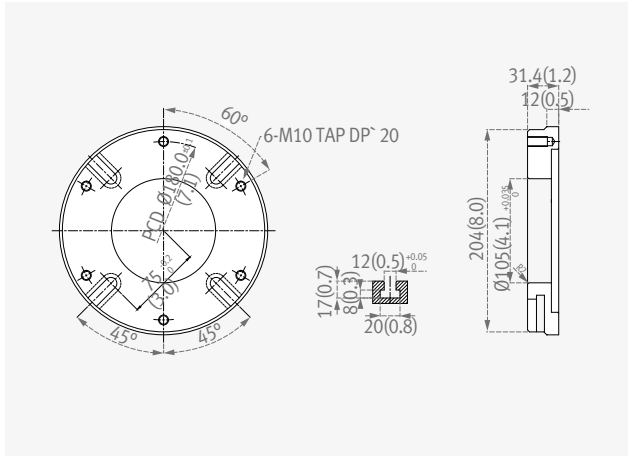
Detailed Information

Options  
Capacity Diagram  
Specifications

Customer Support Service

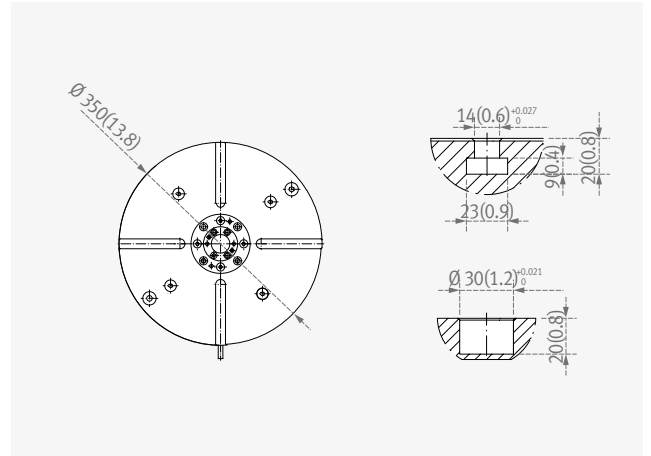
DNM 200/5AX

Unit: mm (inch)



DNM 350/5AX

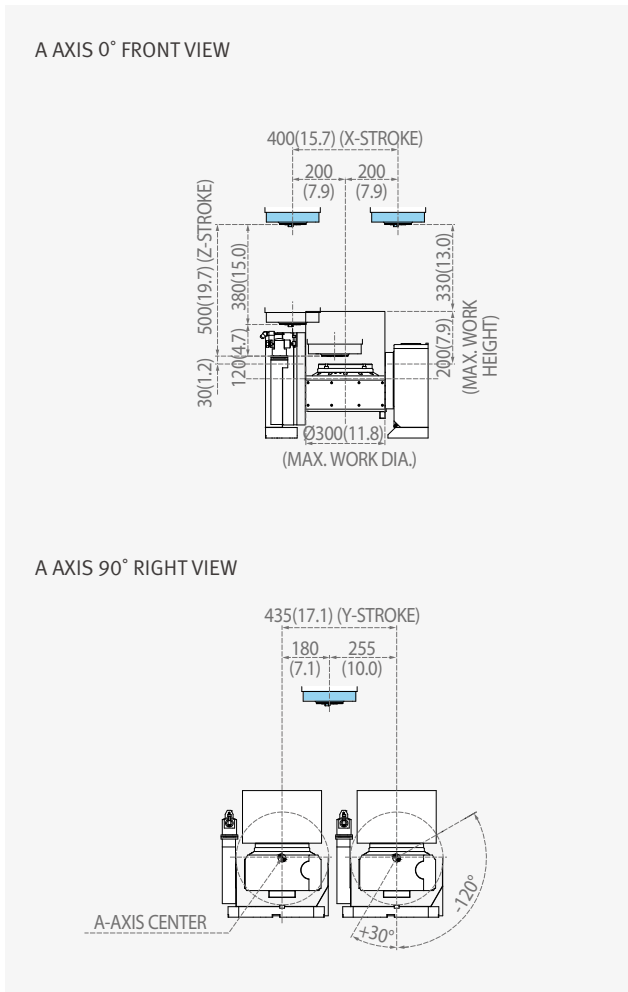
Unit: mm (inch)



Machining Area

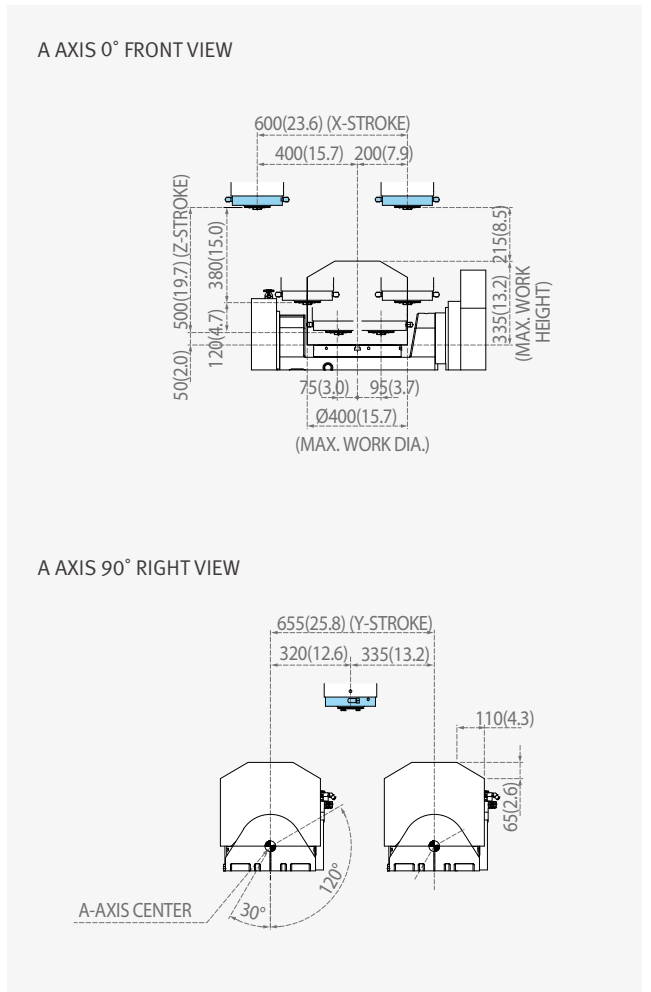
DNM 200/5AX

Unit: mm (inch)



DNM 350/5AX

Unit: mm (inch)





## Machine Specifications



Description		Unit	DNM 200/5AX	DNM 350/5AX	
Travel	Travel distance	X	mm (inch)	400 (15.7)	600 (23.6)
		Y	mm (inch)	435(+180, -255) (17.1 (+7.1, -10.0))	
		Z	mm (inch)	500 (19.7)	
		A	deg	150 (+30 ~ -120)	
		C	deg	360	
	Distance from spindle nose to table top	mm (inch)	30 ~ 530 (1.2 ~ 20.9)	50 ~ 550 (2.0 ~ 21.7)	
Feedrate	Rapid traverse rate	X	m/min (ipm)	36 (1417.3)	
		Y	m/min (ipm)	36 (1417.3)	
		Z	m/min (ipm)	30 (1181.1)	
		A	r/min	20	
		C	r/min	30	
	Cutting feedrate	X, Y, Z	m/min (ipm)	15000 (590.6)	
A, C		deg/min	7200		
Table	Table size	mm (inch)	Ø200 (7.9)	Ø350 (13.8)	
	Table loading capacity	kg (lb)	40 (88.2) (Horizontal) / 60 (132.3) (Vertical)	250 (551.1)	
	Table type	-	T-SLOT (12H8)	T-SLOT (14H8)	
Spindle	Max. spindle speed	r/min	12000	12000 (20000)	
	Spindle taper	-	ISO #40, 7/24 TAPER		
	Max. spindle torque	N-m (ft-lbs)	117 (86.3)	117 { 167 / 60 } (86.3 { 123.2 / 44.3 })	
Automatic tool changer	Type of tool shank	-	MAS403 BT 40		
		-	{ CAT 40 }		
		-	{ DIN 69871-A40 }		
	Tool storage capacity	ea	30 { 40 }	30 { 40, 60 }	
	Max. tool diameter (Continuous)	mm (inch)	30 Tools : 80 / 40 Tools : 76		
	Max. tool diameter (Near port empty)	mm (inch)	30 Tools : 125 / 40 Tools : 125		
	Max. tool length	mm (inch)	300 (11.8)	Ø80 : 270 / Ø125 : 210 (3.15 : 10.6 / 4.9 : 8.3)	
	Max. tool weight	kg (lb)	8 (17.6)		
	Method of tool selection	-	Memory Random		
	Tool change time ( tool-to-tool )	s	1.3		
Tool change time ( chip-to-chip )	s	3.7			
Motor	Spindle motor power	kW (Hp)	18.5 / 11 (24.8 / 14.8)	18.5 / 11 (22 / 18.5 or 22 / 11) (24.8 / 14.8 (29.5 / 24.8 or 29.5 / 14.8))	
	Coolant pump motor power	kW (Hp)	0.25 (0.3)	0.4 (0.5)	
Power source	Electric power supply	kVA	31.3	40.6 (45.7)	
	Compressed air supply	Mpa (psi)	0.54 (78.3)		
Tank capacity	Coolant pump capacity	L (gallon)	5.5 (1.5)	13 (3.4)	
	Lubrication tank capacity	L (gallon)	3.1 (0.8)		
Machine size	Height	mm (inch)	3091 (121.7)	3190 (125.6)	
	Length	mm (inch)	2835 (111.6)	3209 (126.3)	
	Width	mm (inch)	2490 (98.0)	3150 (124.0)	
	Weight	kg (lb)	5500 (4059.0)	8500 (6273.0)	
NC System	-	-	DOOSAN FANUC i	DOOSAN FANUC i / FANUC 31i-5 / HEIDENHAIN	

# NC Unit Specifications

● Standard ○ Optional X N/A

# FANUC

## Basic Information

Basic Structure  
Cutting  
Performance

## Detailed Information

Options  
Capacity Diagram  
Specifications

## Customer Support Service

No.	Division	Item	Spec.	DOOSAN FANUC i	FANUC 31i-5
1	AXES CONTROL	Controlled axes	3 (X,Y,Z)	X,Y,Z,C,A	X,Y,Z,C,A
2		Additional controlled axes	5 axes in total	●	●
3		Least command increment	0.001 mm / 0.0001"	●	●
4		Least input increment	0.001 mm / 0.0001"	○	●
5		Interpolation type pitch error compensation		○	○
6	INTERPOLATION & FEED FUNCTION	2nd reference point return	G30	●	●
7		3rd / 4th reference return		●	●
8		Inverse time feed		●	○
9		Cylindrical interpolation	G07.1	●	○
10		Helical interpolation B	Only Fanuc 30i	-	○
11		Smooth interpolation		-	○
12		NURBS interpolation		-	○
13		Involute interpolation		-	○
14		Helical involute interpolation		-	○
15		Bell-type acceleration/deceleration before look ahead interpolation		●	●
16		Smooth backlash compensation		○	●
17		Automatic corner override	G62	○	○
18		Manual handle feed	Max. 3unit	1 unit	1 unit
19		Manual handle feed rate	x1, x10, x100 (per pulse)	●	●
20		Handle interruption		●	○
21		Manual handle retrace		○	○
22		Manual handle feed 2/3 unit		-	○
23		Nano smoothing	AI contour control II is required.	○	●
24		AICC II	200 BLOCK	●	●
25		AICC II	400 BLOCK	-	○
26		High-speed processing	600 BLOCK	-	○
27		Look-ahead blocks expansion	1000 BLOCK	-	○
28		DSQ I	AICC II (200block) + Machining condition selection function	-	●
29	DSQ II	AICC II (200block) + Machining condition selection function + Data server(1GB)	-	○	
30	DSQ III	AICC II with high speed processing (600block) + Machining condition selection function + Data server (1GB)	-	○	
31	SPINDLE & M-CODE FUNCTION	M- code function		●	●
32		Retraction for rigid tapping		●	●
33	TOOL FUNCTION	Rigid tapping	G84, G74	●	●
34		Number of tool offsets	64 ea	-	64 ea
35		Number of tool offsets	99 / 200 ea	-	○
36		Number of tool offsets	400 ea	400 ea	○
37		Number of tool offsets	499 / 999 / 2000 ea	-	○
38		Tool nose radius compensation	G40, G41, G42	●	●
39		Tool length compensation	G43, G44, G49	●	●
40		Tool life management		●	●
41		Addition of tool pairs for tool life management		●	○
42		Tool offset	G45 - G48	●	○
43		Custom macro		●	●
44	Macro executor		●	●	
45	Extended part program editing		●	●	
46	PROGRAMMING & EDITING FUNCTION	Part program storage	256KB( 640m)	-	640m
47		Part program storage	512KB (1,280m)	1280m	○
48		Part program storage	1MB (2,560m)	-	○
49		Part program storage	2MB (5,120m)	○	○
50		Part program storage	4MB (1,0240m)	-	○
51		Part program storage	8MB (2,0480m)	-	○
52		Inch/metric conversion	G20 / G21	●	●
53		Number of Registered programs	400 ea	400 ea	-
54		Number of Registered programs	500 ea	-	500 ea
55		Number of Registered programs	1000 / 4000 ea	-	○
56	Optional block skip	9 BLOCK	●	○	
57	Optional stop	M01	●	●	
58	Program file name	32 characters	-	●	
59	Program number	O4-digits	●	-	
60	Playback function		●	○	
61	OTHERS FUNCTIONS ( Operation, setting & Display, etc)	Addition of workpiece coordinate system	G54.1 P1 - 48 (48 pairs)	48 pairs	48 pairs
62		Addition of workpiece coordinate system	G54.1 P1 - 300 (300 pairs)	-	○
63	OTHERS FUNCTIONS ( Operation, setting & Display, etc)	Embedded Ethernet		●	●
64		Graphic display	Tool path drawing	●	●
65		Loadmeter display		●	●
66		Memory card interface		●	●
67		USB memory interface	Only Data Read & Write	●	●
68		Operation history display		●	●
69		DNC operation with memory card		●	●
70		Optional angle chamfering / corner R		●	●
71		Run hour and part number display		●	●
72		High speed skip function		●	○
73		Polar coordinate command	G15 / G16	●	○
74		Polar coordinate interpolation	G12.1 / G13.1	-	○
75		Programmable mirror image	G50.1 / G51.1	●	○
76		Scaling	G50, G51	●	○
77		Single direction positioning	G60	●	○
78	Pattern data input		●	○	

HEIDENHAIN

NO.	Division	Item	Spec.	iTNC 530
1	Axes	Controlled axes	3 axes / 4 axes / 5 axes	X
2		Least command increment	0.0001 mm (0.0001 inch), 0.0001°	X
3		Least input increment	0.0001 mm (0.0001 inch), 0.0001°	X, Y, Z, C, A
4		Maximum commandable value	+99999.999mm (±3937 inch)	●
5		MDI / DISPLAY unit	15.1 inch TFT color flat panel	●
6		Program memory for NC programs	SSDR	●
7		Block processing time		●
8		Cycle time for path interpolation	CC 61xx	21GB
9		Encoders	Absolute encoders	0.5 ms
10	Commissioning and diagnostics	Data interfaces	Ethernet interface	3 ms
11			USB interface (USB 2.0)	EnDat 2.2
12	Machine functions	Look-ahead	Intelligent path control by calculating the path speed ahead of time (max. 1024 blocks.)	●
13		HSC filters		●
14		Switching the traverse ranges		●
15	User functions	Program input	According to ISO	●
16			With smarT.NC	●
17		Position entry	Nominal positions for lines and arcs in Cartesian coordinates	●
18			Incremental or absolute dimensions	●
19			Display and entry in mm or inches	●
20			Display of the handwheel path during machining with handwheel superimpositioning	●
21			Paraxial positioning blocks	●
22		Tool compensation	In the working plane and tool length	●
23			Radius-compensated contour lookahead for up to 99 blocks (M120)	●
24			Three-dimensional tool radius compensation	●
25		Tool table	Central storage of tool data	●
26			Multiple tool tables with any number of tools	●
27		Cutting-data table	Calculation of spindle speed and feed rate based on stored tables	●
28		Constant contouring speed	relative to the path of the tool center or to the tool's cutting edge	●
29		Parallel operation	Creation of a program while another program is being run	●
30		Tilting the working plane with Cycle 19		●
31		Tilting the working plane with the PLANE function		●
32		Manual traverse in tool-axis direction	after interruption of program run	●
33		Function TCPM	Retaining the position of tool tip when positioning tilting axes	●
34		Rotary table machining	Programming of cylindrical contours as if in two axes	●
35			Feed rate in distance per minute	●
36		FK free contour programming	for workpieces not dimensioned for NC programming	●
37		Program jumps	Subprograms and program section repeats	●
38			Calling any program as a subprogram	●
39		Program verification graphics	Plan view, view in three planes, 3-D view	●
40		Programming graphics	3-D line graphics	●
41		Program-run graphics	(plan view, view in three planes, 3-D view)	●
42		Datum tables	Saving of workpiece-specific datums	●
43		Preset table	Saving of reference points	●
44	Freely definable table	after interruption of program run	●	
45	Returning to the contour	With mid-program startup	●	
46		After program interruption (with the GOTO key)	●	
47	Autostart		●	
48	Actual position capture		●	
49	Enhanced file management		●	
50	Context-sensitive help for error messages		●	
51	TNCguide	Browser-based, context-sensitive helpsystem	●	
52	Calculator		●	
53	Entry of text and special characters		●	
54	Comment blocks in NC program		●	
55	"Save As" function		●	
56	Structure blocks in NC program		●	
57	Entry of feed rates	FU (feed per revolution)	●	
58		FZ (tooth feed per revolution)	●	
59		FT (time in seconds for path)	●	
60		FMAXT (only for rapid traverse pot: time in seconds for path)	●	
61	Fixed cycles	Working plane	Cycle 19	●
62		Cylinder surface	Cycle 27	●
63		Cylinder surface slot milling	Cycle 28	●
64		Cylinder surface ridge milling	Cycle 29	●
65	Cycles for automatic workpiece inspection	Calibrate TS		●
66		Calibrate TS length		●
67		Measure axis shift		●
68	Options	Software option 1		●
69		Rotary table machining	Programming of cylindrical contours as if in two axes	
70			Feed rate in mm/min	
71		Coordinate transformation	Tilting the working plane, PLANE function	
72		Interpolation	Circular in 3 axes with tilted working plane	
73		Software option 2		●
74		3-D machining	3-D tool compensation through surface normal vectors	
75			Tool center point management (TCPM)	
76			Keeping the tool normal to the contour	
77			Tool radius compensation normal to the tool direction	
78	Interpolation	Line in 5 axes (subject to export permit)		
79		Spline: execution of splines (3rd degree polynomial)		

Product Overview

Basic Information

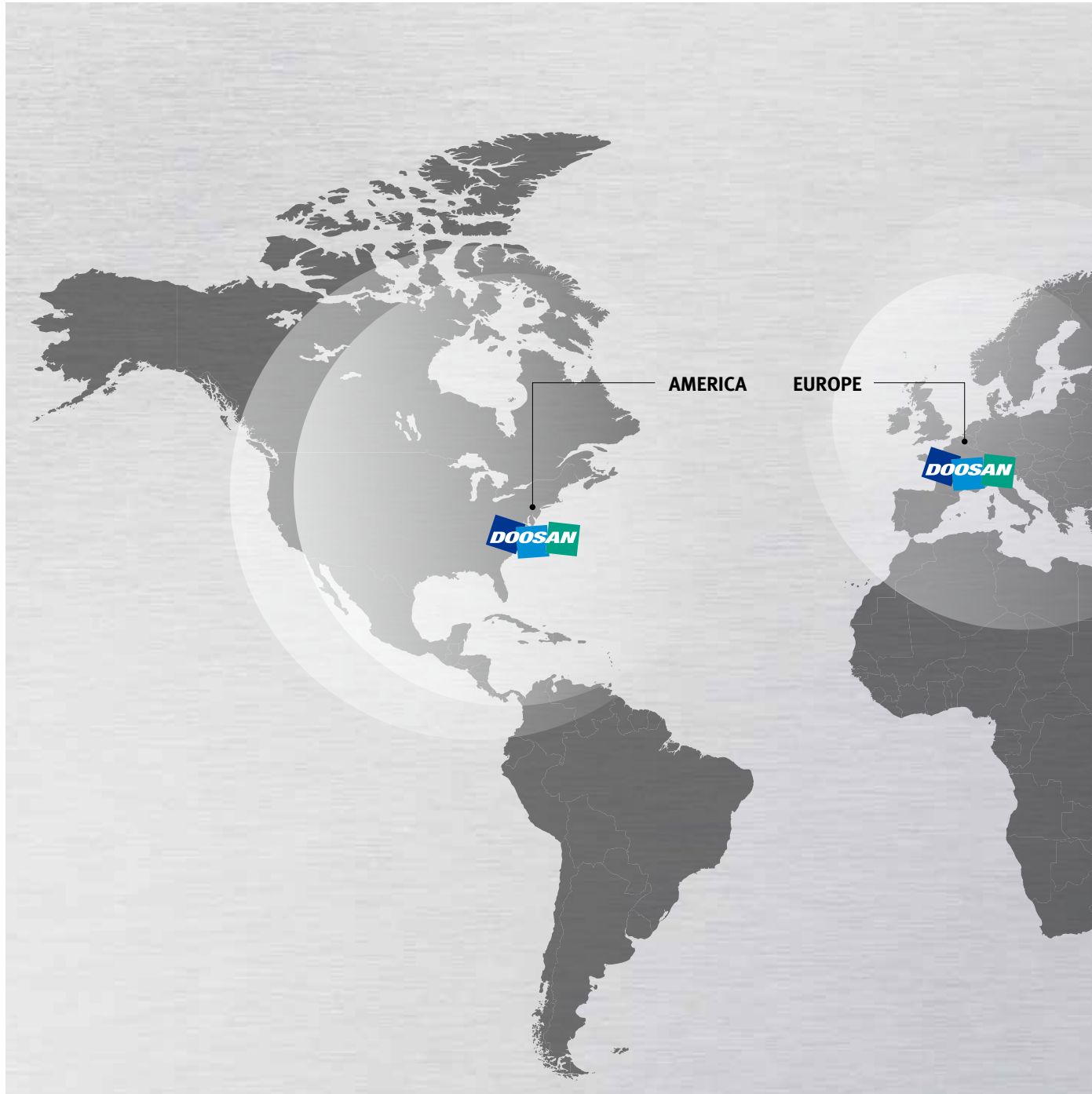
Basic Structure  
Cutting  
Performance

Detailed  
Information

Options  
Capacity Diagram  
Specifications

Customer Support  
Service

# Responding to Customers Anytime, Anywhere



## Global Service Support Network

Corporations

5

Dealer Networks

122

Technical Centers

18

Factories

3

Technical Center: Sales Support, Service Support, Parts Support

## Doosan Machine Tools' Global Network, Responding to Customer's Needs nearby, Anytime, Anywhere

Doosan machine tools provides a system-based professional support service before and after the machine tool sale by responding quickly and efficiently to customers' demands.

By supplying spare parts, product training, field service and technical support, we can provide top class support to our customers around the world.



### Domestic Service Support Network

Integrated Support Centers

2

Sales Branch Offices

7

Post-Sales Service Centers

6

Designated Repair Service Centers

31

## Customer Support Service

We help customers to achieve success by providing a variety of professional services from pre-sales consultancy to post-sales support.

### Supplying Parts



- Supplying a wide range of original Doosan spare parts
- Parts repair service

### Field Services



- On site service
- Machine installation and testing
- Scheduled preventive maintenance
- Machine repair

### Technical Support



- Supports machining methods and technology
- Responds to technical queries
- Provides technical consultancy

### Training



- Programming / machine setup and operation
- Electrical and mechanical maintenance
- Applications engineering

## Major Specifications

### DNM 5AX series



Description	UNIT	DNM 200/5AX	DNM 350/5AX
Max. spindle speed	r/min	12000	12000
Spindle motor power	kW (Hp)	18.5 / 11 (24.8 / 14.8)	
Tool shank	Taper	ISO #40, 7/24 TAPER	
Travels (X, Y, Z)	mm (inch)	400 / 435 / 500 (15.8 / 17.1 / 19.7)	600 / 655 / 500 (23.6 / 25.8 / 19.7)
Number of tools	ea	30	
Table size	mm (inch)	Ø200 (Ø7.9)	Ø350 (Ø13.8)
Travels (A, C)	deg	150 / 360	
NC system	-	DOOSAN-FANUC i	FANUC / HEIDENHAIN



## Doosan Machine Tools

<http://www.doosanmachinetools.com>

[www.facebook.com/doosanmachinetools](https://www.facebook.com/doosanmachinetools)

### Optimal Solutions for the Future

#### Head Office

Yeonkang Bldg., 6th FL., 270, Yeonji-dong,  
Jongno-gu, Seoul, Korea  
Tel +82-2-3670-5345 / 5362  
Fax +82-2-3670-5382

#### Doosan Machine Tools China

Room 101,201,301, Building 39 Xinzhuan Highway  
No.258 Songjiang District,China Shanghai(201612)  
Tel +86 21-5445-1155  
Fax +86 21-6405-1472

#### Doosan Machine Tools Japan

#2412, Mita Kokusai Bldg. 1-4-28 Mita,  
Minato-ku, Tokyo 108-0073, Japan  
Tel +81 3 5730 9013  
Fax +81 3 5730 9016

#### Doosan Machine Tools America

19A Chapin Rd., Pine Brook, NJ 07058, U.S.A.  
Tel +1-973-618-2500  
Fax +1-973-618-2501

#### Doosan Machine Tools Europe

Emdener Strasse 24, D-41540 Dormagen, Germany  
Tel +49-2133-5067-100  
Fax +49-2133-5067-111

#### Doosan Machine Tools India

106 / 10-11-12, Amruthahalli, Byatarayanapura,  
Bellary road, Bangalore-560 092, India  
Tel +91-80-4266-0122 / 121 / 100



\* For more details, please contact Doosan Machine Tools.

\* The specifications and information above-mentioned may be changed without prior notice.

\* Doosan Machine Tools Co., Ltd. is a subsidiary of MBK Partners. The trademark  DOOSAN is used under a licensing agreement with Doosan Corporation, the registered trademark holder.