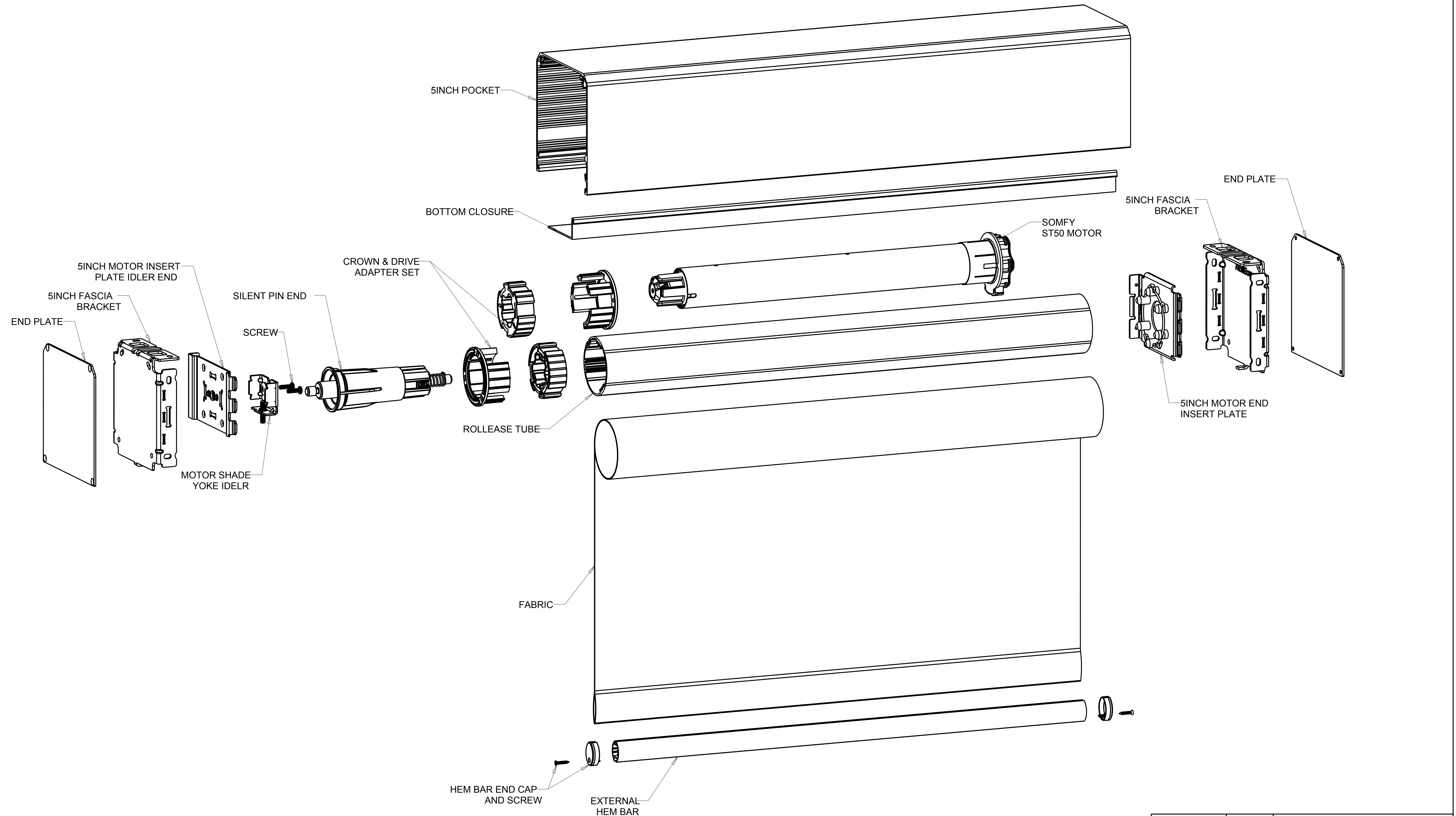


REVISION RECORD				
SYM	DESCRIPTION	BY	DATE	CHK



<small>THIS INFORMATION IS CONFIDENTIAL AND PROPRIETARY TO ROLLEASE, INC. THE POSSESSOR AGREES TO MAINTAIN THIS INFORMATION AS CONFIDENTIAL AND NOT REPRODUCE OR DISSEMINATE IN WHOLE OR IN PART TO ANY THIRD PARTY.</small>	<b>INCHES</b>		<b>RollEase</b>	
	<b>TOLERANCES</b>		Window Covering Systems	
	X.XX ± 0.015	DATE	TITLE	SCALE
	X.XXX ± 0.005	24 JUN 14	JSG	1/1
ANG ± 1°		SINCH CONTRACT POCKET ST50 MOTOR		
			A2223	1.8
				1