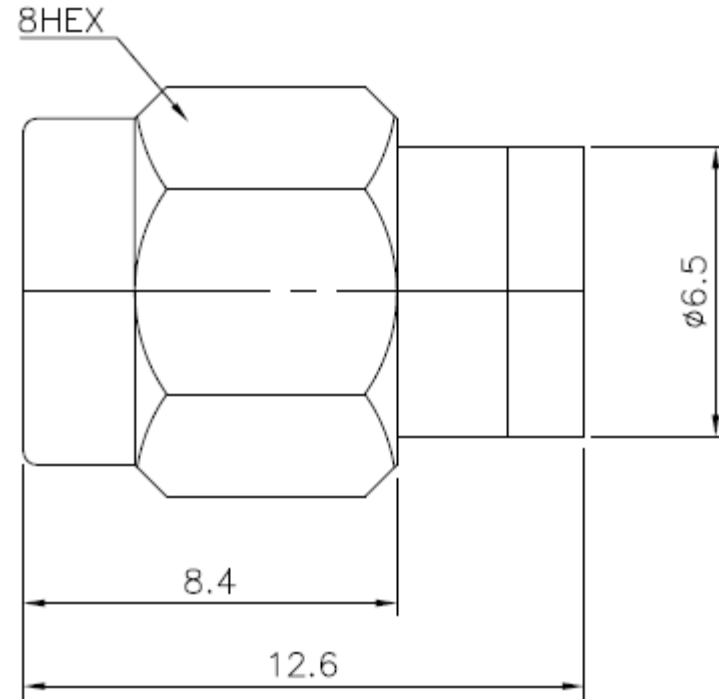


Specifications

Frequency range: DC-18 GHz
 Nominal Impedance: 50 Ohm
 Power: 1 watt
 VSWR: 1 .20:1 max. @ 18 GHz

RoHS Compliant



<u>Adapter Part</u>	<u>Material</u>	<u>Plating</u>
Coupling Cap	Stainless Steel	Gold
Body	Stainless Steel	Gold
Center contact	Brass	Gold
Insulator	PTFE	N/A
Gasket	Silicone Rubber	N/A



Premier RF
 17 Roslyn CT
 Patchogue, NY 11772
 PH: 631-447-3804
 sales@premier rf.com
 www.premier rf.com

Dimensions in mm	PART NUMBER	PRF-TE1M118-SG
09/19/2011	DESCRIPTION	SMA MALE TERMINATION DC-18 GHz, 1 WATT
APPROVED		
C. Smith		