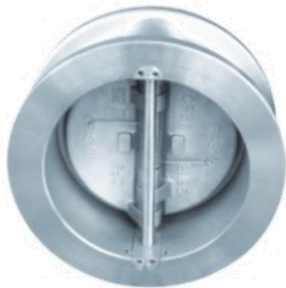




WAFER TYPE DOUBLE-DISC CHECK VALVE

Size: 2" thru 66"
Class: 150 thru 2500
Design: API6D/API594
Model Type: CD1
Page 3 - 6



RETAINERLESS WAFER TYPE DOUBLE-DISC CHECK VALVE

Size: 2" thru 60"
Class: 150 thru 2500
Design: API594
Model Type: CD2
Page 7 - 10



Wafer Type Double-Disc Check Valve W/Lug

End
Size: 2" thru 48"
Class: 150 thru 2500
Design: API594
Model Type: CD3
Page 14 - 16



Double Flanged Dual-Plate Check Valve

Size: 8" thru 48"
Class: 150 thru 1500
Design: API6D
Model Type: CDF
Page 17 - 18



Wafer Type Single-Disc Check Valve (Tilting Disc)

Size: 2" thru 24"
Class: 150 thru 900
Design: API6D
Model Type: CWT
Page 19 - 20





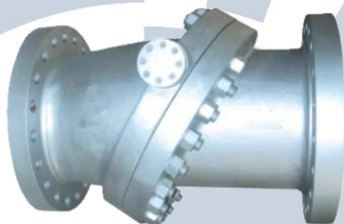
Wafer Type Single-Disc Check Valve
Size: 2" thru 24"
Class: 150 thru 900
Design: API6D/API594
Model Type: CW1
Page 19 - 20



Wafer Type Single-Disc Lift Check Valve
Pressure Class: 150 thru 900
Size: 1/2" thru 8"
Design: API6D/API594
Model Type: CS
Page 21 - 22



Dual-plate Check Valve with Hub End
Pressure Class: 900 thru 2500
Size: 2" thru 30"
Design: API594
Model Type: CDH
Page 23 - 24



Flanged Tilting Check Valve
Pressure Class: 150 thru 2500
Size: 2" thru 30"
Design: API6D/API594
Model Type: CT
Page 25 - 26



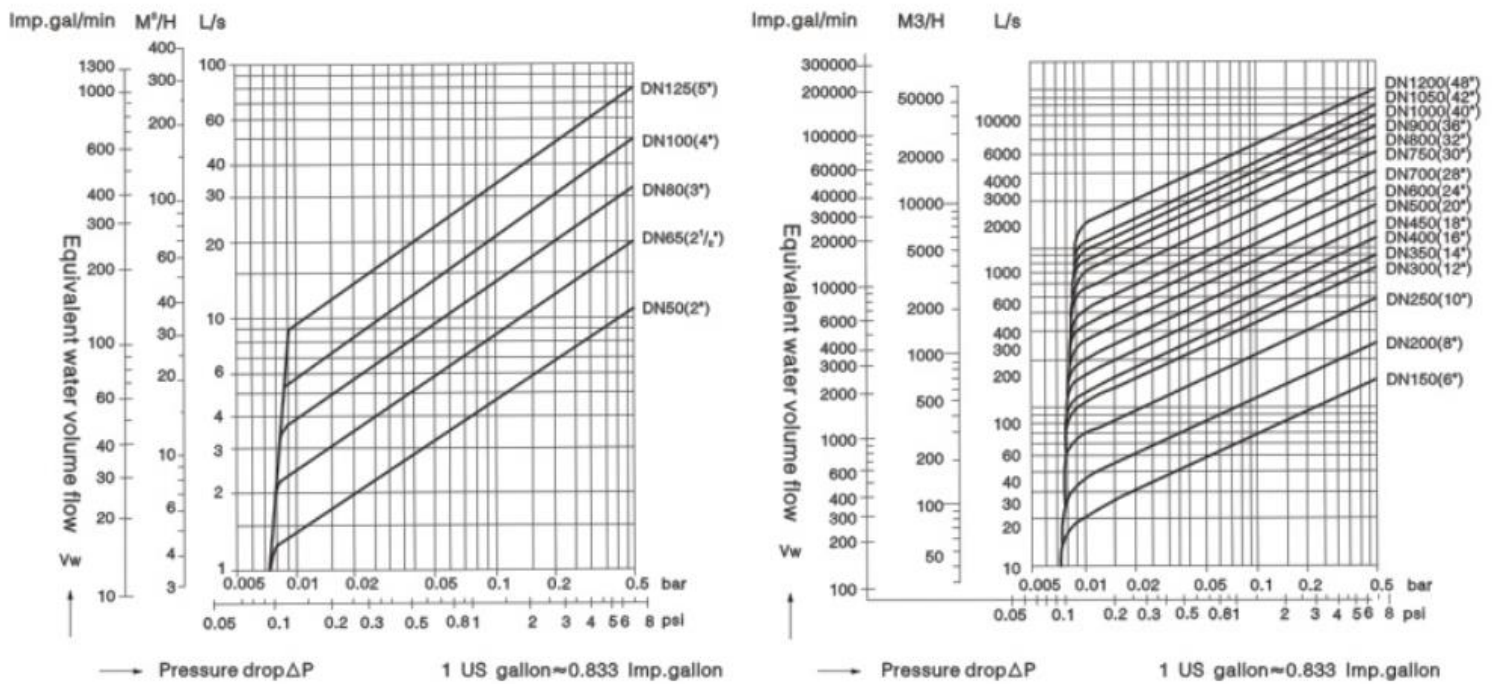
Introduction

Wafer check valve is applicable for various pipelines with nominal pressure of Class 150 to 2500, nominal diameter of NPS 1/2 – 48 and working temperature of -196~540°C for preventing medium backflows. Different material selections can be applied for different mediums including water, steam, oil, nitric acid, acetic acid, strong oxidizing medium and urea etc.

Standard and Specification

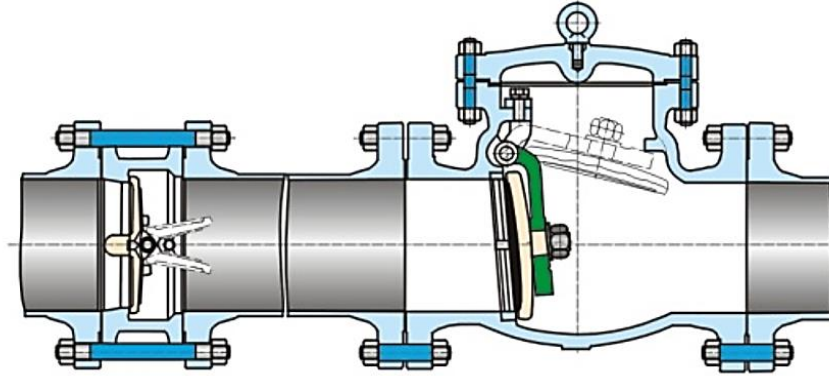
1. Design and manufacture: API 594, API 6D
2. Face to Face and end to end: API 594, API 6D
3. Pressure-temperature ratings: ASME B16.34
4. Inspection and test: API 598
5. Pipe flange: API 605, ASME B16.47

Hydromechanics performance – The relationship of volume flow rate and pressure drawdown of Wafer type double-disc check valve

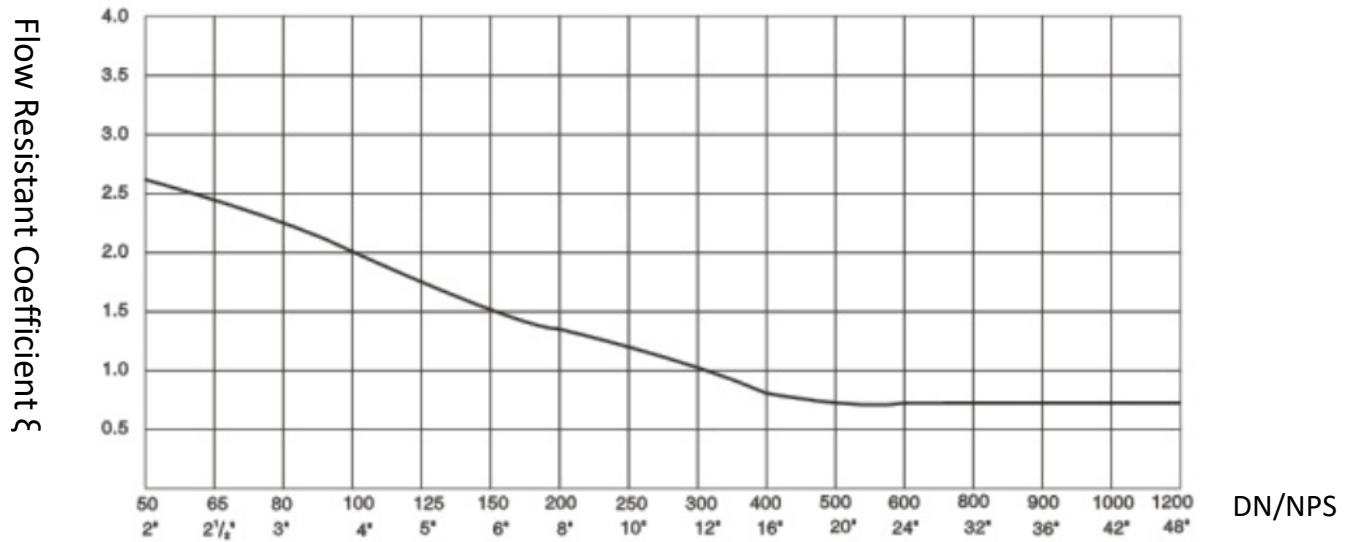


$$V_w = \sqrt{\frac{\rho}{1000}} \cdot V$$

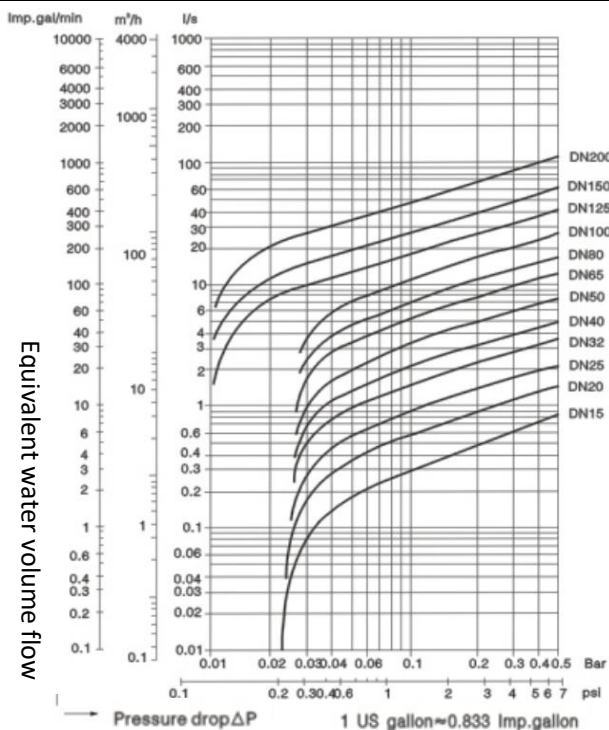
V_w – Equivalent volume rate of flow
 ρ – Fluid density
 V – Actual volume rate of flow



Hydromechanics performance -Flow Resistant Coefficient of Wafer type double-disc check valve

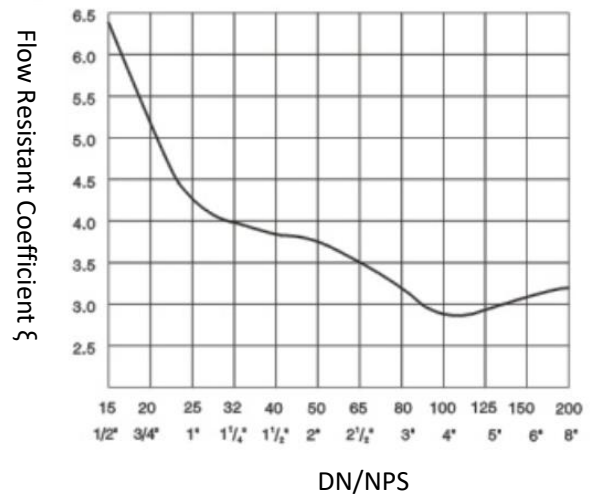


Hydromechanics performance – The relationship of volume flow rate and pressure drawdown / Flow Resistant Coefficient of Wafer type single-disc lift check valve



$$V_W = \sqrt{\frac{\rho}{1000}} \cdot V$$

V_W – Equivalent volume rate of flow
 ρ – Fluid density
 V – Actual volume rate of flow



SVI WAFER TYPE DUAL-PLATE CHECK VALVE

Product Line Technical Data

YOUR ONE-STOP VALVE SOURCING CHANNEL

Wafer Type Dual-Plate Check Valve

Pressure Class: 150 thru 2500

Size: 1-1/2" thru 66"

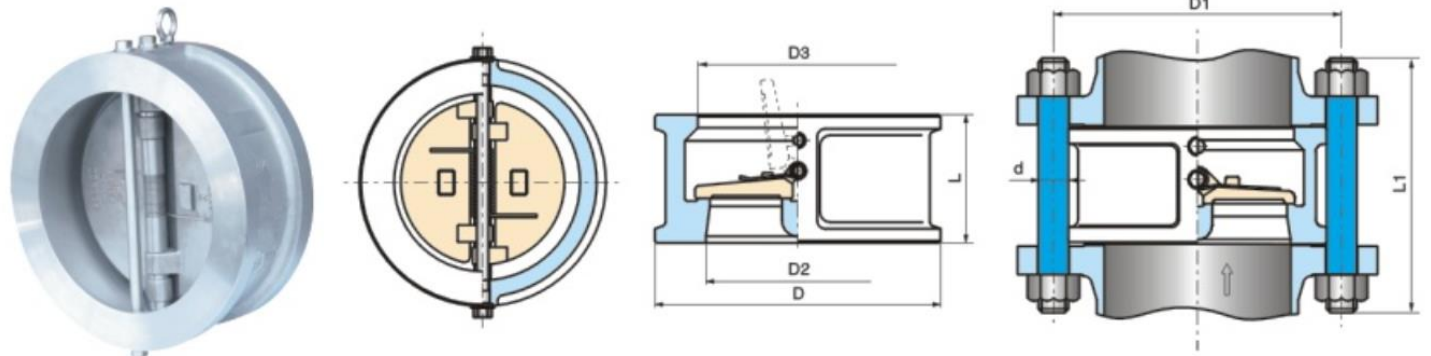
Design and Manufacturing Standards

Valve Design: API 594

Flange Dimensions: ASME B16.5/ B16.47/MSS SP-44

Face to Face Dimensions: API 594

Tested In Accordance with: API 598



Pressure Class	Size	Dimension(mm)				Weight(Kg)	Pipe Flange (for referencen only)				
		L	D	D2	D3		D1	Bolt Quantity	Bolt Diameter d	Bolt Length L1	
										RF	RTJ
Class 150	1½	60	83	38	45	2	98.5	4	M14	130	145
	2	60	103	51	58	2.5	120.5	4	M16	140	155
	2½	67	122	65	73	3	139.5	4	M16	150	165
	3	73	135	80	88	4	152.5	4	M16	160	175
	4	73	173	102	108	6	190.5	8	M16	170	185
	5	86	195	127	132	8	216	8	M20	190	205
	6	98	220	152	160	13	241.5	8	M20	205	220
	8	127	277	203	210	25	298.5	8	M20	240	255
	10	146	337	254	266	39	362	12	M24	270	285
	12	181	407	305	310	54	432	12	M24	310	325
	14	184	448	350	355	80	476	12	M27	325	340
	16	191	512	400	405	117	540	16	M27	340	355
	18	203	547	450	455	138	578	16	M30	365	380
Class 150 ASME B16.47B/API605	20	219	604	500	505	163	635	20	M30	385	400
	24	222	715	600	605	331	749.5	20	M30	405	420
	26	222	722	630	650	360	744.5	36	M20	365	-
	28	305	773	700	700	380	795.5	40	M20	455	-
	30	305	824	746	750	425	846	44	M20	455	-
	32	305	878	796	800	560	900	48	M20	460	-
	36	368	983	898	903	640	1009.5	44	M24	540	-
	40	432	1090	976	985	870	1120.5	44	M27	620	-
	42	432	1142	1050	1055	960	1171.5	48	M27	625	-
	44	432	1193	1070	1070	1150	1222	52	M27	630	-
	48	524	1302	1200	1205	1400	1335	44	M30	740	-
	54	591	1460	1312	1315	2245	1492	56	M30	820	-
56	591	1512	1360	1370	2830	1543	60	M30	820	-	
60	660	1628	1458	1470	3200	1662	52	M30	900	-	

SVI WAFER TYPE DUAL-PLATE CHECK VALVE

Product Line Technical Data

YOUR ONE-STOP VALVE SOURCING CHANNEL

Pressure Range	Size	Dimension(mm)				Weight(Kg)	Pipe Flange (for reference)				
		L	D	D2	D3		D1	Bolt Quantity	Bolt Diameter d	Bolt Length L1	
										RF	RTJ
Class 150 ASME B16.47A	26	222	770	633	650	380	806.5	24	M33	450	-
	28	305	827	700	700	400	863.5	28	M33	535	-
	30	305	878	746	750	440	914.5	28	M33	545	-
	32	305	935	796	800	580	978	28	M39X3	570	-
	36	368	1045	874	894	660	1086	32	M39X3	650	-
	40	432	1158	976	985	890	1200	36	M39X3	710	-
	42	432	1213	1050	1055	980	1257.5	36	M39X3	730	-
	44	432	1274	1070	1070	1170	1314.5	40	M39X3	730	-
	48	524	1380	1166	1205	1450	1422.5	44	M39X3	840	-
	54	591	1545	1312	1315	2300	1594	44	M45X3	950	-
	56	591	1602	1360	1370	2850	1651	48	M45X3	955	-
60	660	1710	1458	1470	3225	1759	52	M45X3	1040	-	
Class 150 ASME B16.47A/MSS SP-44	66	787	1881	1630	1663	5345	1930.5	52	M45X3	1075	-
	72	851	2046	1818	1818	6100	2095.5	60	M45X3	1145	-
	78	927	2204	1973	1973	8185	2260.5	64	M52X3	1250	-
	84	1041	2369	2115	2115	10220	2425	64	M52X3	1365	-

Pressure Range	Size	Dimension(mm)				Weight(Kg)	Pipe Flange (for reference only)				
		L	D	D2	D3		D1	Bolt Quantity	Bolt Diameter d	Bolt Length L1	
										RF	RTJ
Class 300	2	60	110	51	58	3	127	8	M16	155	175
	2½	67	128	65	73	4	149	8	M20	175	195
	3	73	147	80	88	6	168.5	8	M20	190	210
	4	73	179	102	108	8	200	8	M20	195	215
	5	86	214	127	132	15	235	8	M20	215	235
	6	98	249	152	160	18	270	12	M20	230	250
	8	127	305	203	210	31	330	12	M24	280	300
	10	146	359	254	266	51	387.5	16	M27	315	335
	12	181	420	305	310	77	451	16	M30	365	385
	14	222	483	350	355	117	514.5	20	M30	410	430
	16	232	537	400	405	190	571.5	20	M33	435	455
	18	264	594	450	455	200	628.5	24	M33	475	495
	20	292	652	500	505	265	686	24	M33	510	535
	24	318	772	600	608	410	813	24	M39x3	560	585
Class 300 ASME B16.47B API605	26	356	767	633	640	565	803	32	M33	625	-
	28	368	821	685	685	585	857	36	M33	635	-
	30	368	882	735	740	660	921	36	M36X3	650	-
	32	368	936	784	784	970	978	32	M39X3	675	-
	36	483	1044	873	880	1020	1089	32	M42X3	800	-
	40	546	1146	976	985	1420	1191	40	M42X3	885	-
	42	568	1196	1035	1045	1540	1244.5	36	M45X3	920	-
	48	629	1365	1166	1190	2260	1416	40	M48X3	1010	-
	54	718	1526	1312	1315	3102	1578	48	M48X3	1140	-
60	838	1704	1458	1470	4315	1764	40	M56X3	1280	-	
Class 300 ASME B16.47A MSS SP-44	26	356	831	633	640	580	876	28	M42X3	625	-
	28	368	895	685	685	600	940	28	M42X3	650	-
	30	368	949	735	740	680	997	28	M45X3	665	-
	32	368	1003	784	784	990	1054	28	M48X3	685	-

SVI WAFER TYPE DUAL-PLATE CHECK VALVE

Product Line Technical Data

YOUR ONE-STOP VALVE SOURCING CHANNEL

	36	483	1113	873	880	1050	1168.5	32	M52X3	820	
	40	546	1110	976	985	1400	1156	32	M42X3	885	
	42	568	1161	1035	1045	1520	1206.5	32	M42X3	915	
	48	629	1320	1166	1190	2250	1371.5	32	M48X3	1015	
	54	718	1489	1312	1315	3080	1549.5	28	M56X3	1160	
	60	838	1642	1458	1470	4300	1702	32	M56X3	1305	

Pressure Range	Size	Dimension(mm)				Weight(Kg)	Pipe Flange (for reference only)				
		L	D	D2	D3		D1	Bolt Quantity	Bolt Diameter d	Bolt Length L1	
										RF	RTJ
Class 600	2	60	110	51	58	4	127	8	M16	175	180
	2½	67	128	65	73	5	149	8	M20	195	200
	3	73	147	80	88	8	168.5	8	M20	210	215
	4	79	191	102	108	11	216	8	M24	235	240
	5	105	239	127	132	20	267	8	M27	280	285
	6	136	264	152	160	26	292	12	M27	320	325
	8	165	318	200	210	55	349	12	M30	370	375
	10	213	398	250	266	95	432	16	M33	440	445
	12	229	455	305	310	140	489	20	M33	460	465
	14	273	490	337	355	223	527	20	M36X3	520	525
	16	305	562	387	405	360	603	20	M39X3	575	580
	18	362	610	438	455	395	654	20	M42X3	650	655
	20	368	680	489	505	518	724	24	M42X3	670	680
24	438	786	591	608	836	838	24	M48X3	780	795	
Class 600 ASME B16.47B API605	26	457	761	633	640	950	806.5	28	M42X3	790	805
	28	483	815	684	685	1215	863.5	28	M45X3	830	845
	30	505	875	735	740	1378	927	28	M48X3	875	890
	32	533	928	779	784	1643	984	28	M52X3	920	940
	36	635	1045	874	880	2120	1005	28	M56X3	1065	1085
Class 600 ASME B16.47A MSS SP-44	26	457	863	633	640	980	914.5	28	M48X3	795	810
	28	483	910	684	685	1250	965	28	M52X3	835	850
	30	505	967	735	740	1420	1022.5	28	M52X3	860	905
	32	533	1020	779	784	1700	1079.5	28	M56X3	905	925
	36	635	1126	874	880	2200	1194	28	M64X3	1035	1055
	40	660	1153	976	985	2650	1213	28	M56X3	1115	-
	42	702	1215	1020	1045	3135	1283	32	M64X3	1190	-
48	787	1386	1166	1190	3755	1460.5	28	M70X3	1330	-	

Pressure Range	Size	Dimension(mm)				Weight(Kg)	Pipe Flange (for reference)				
		L	D	D2	D3		D1	Bolt Quantity	Bolt Diameter d	Bolt Length L1	
										RF	RTJ
Class 900	2	70	140	51	58	8	165	8	M24	225	230
	2½	83	162	65	73	11	190.5	8	M27	250	255
	3	83	165	80	90	14	190.5	8	M24	240	245
	4	102	204	102	108	20	235	8	M30	285	290
	5	110	245	127	136	30	279.5	8	M33	310	315
	6	159	286	150	162	42	317.5	12	M30	365	370
	8	206	356	200	212	84	393.5	12	M36x3	440	445
	10	241	432	250	266	145	470	16	M36x3	490	495
	12	292	495	305	312	220	533.5	20	M36x3	560	565
	14	356	518	337	355	350	559	20	M39X3	645	655
	16	384	572	387	400	470	616	20	M42X3	685	695

SVI WAFER TYPE DUAL-PLATE CHECK VALVE

Product Line Technical Data

YOUR ONE-STOP VALVE SOURCING CHANNEL

	18	451	635	438	450	605	686	20	M48X3	790	805
	20	451	695	487	496	820	749.5	20	M52X3	810	825
	24	495	835	591	600	1050	901.5	20	M64X3	945	965
Class 900 ASME B16.47B API605	26	533	835	617	630	1182	901.5	20	M64X3	955	1050
	28	572	898	665	680	1441	971.5	20	M70X3	1030	1145
	30	635	955	712	735	1578	1035	20	M76X3	1125	1180
	32	660	1012	760	784	2030	1092	20	M76X3	1160	1260
	36	718	1120	855	865	2607	1200	24	M76X3	1240	995
Class 900 ASME B16.47A MSS SP-44	26	533	879	617	630	1200	952.5	20	M70X3	975	1055
	28	572	943	665	680	1460	1022.5	20	M76X3	1035	1055
	30	635	1006	712	735	1600	1086	20	M76X3	1110	1130
	32	660	1070	760	784	2050	1155.5	20	M82X3	1165	1185
	36	718	1195	855	865	2607	1289	20	M90X3	1265	1285
	40	762	1246	950	965	2930	1340	24	M90X3	1360	-
	42	787	1296	995	1015	3310	1390.5	24	M90X3	1400	-
48	851	1483	1140	1160	4415	1587.5	24	M100X3	1545	-	

Pressure Range	Size	Dimension(mm)				Weight(Kg)	Pipe Flange (for reference)				
		L	D	D2	D3		D1	Bolt Quantity	Bolt Diameter d	Bolt Length L1	
										RF	RTJ
Class 1500	2	70	140	51	58	8	165	8	M24	225	230
	2½	83	162	65	73	11	190.5	8	M27	250	255
	3	83	172	80	90	19	203	8	M30	270	275
	4	102	207	102	108	26	241.5	8	M33	310	315
	5	110	252	127	136	51	292	8	M39X3	370	375
	6	159	280	150	162	68	317.5	12	M36X3	430	440
	8	206	350	200	212	130	393.5	12	M42X3	510	520
	10	248	433	254	266	210	482.5	12	M48X3	600	610
	12	305	518	305	312	384	571.5	16	M52X3	690	715
	14	356	576	337	355	550	635	16	M56X3	775	800
	16	384	639	387	400	635	705	16	M64X3	850	880
	18	468	701	430	438	790	774.5	16	M70X3	955	985
20	533	753	478	487	1275	832	16	M76X3	1065	1095	
24	559	897	570	578	2710	990.5	16	M90X3	1170	1205	
Class 2500	2	70	143	42	48	10	171.5	8	M27	255	260
	2½	83	166	52	58	18	197	8	M30	290	305
	3	86	194	62	68	26	228.5	8	M33	320	330
	4	105	232	88	94	40	273	8	M39X3	370	380
	5	110	277	100	106	59	324	8	M45X3	420	435
	6	159	315	150	162	90	368.5	8	M52X3	515	530
	8	206	385	180	186	150	438	12	M52X3	600	620
	10	254	474	225	232	240	539.5	12	M64X3	750	775
12	305	547	266	272	440	619	12	M70X3	855	885	

SVI WAFER TYPE DUAL-PLATE CHECK VALVE

Product Line Technical Data

YOUR ONE-STOP VALVE SOURCING CHANNEL

Wafer Retainerless Type Dual-Plate Check Valve

Pressure Class: 150 thru 2500

Size: 2" thru 60"

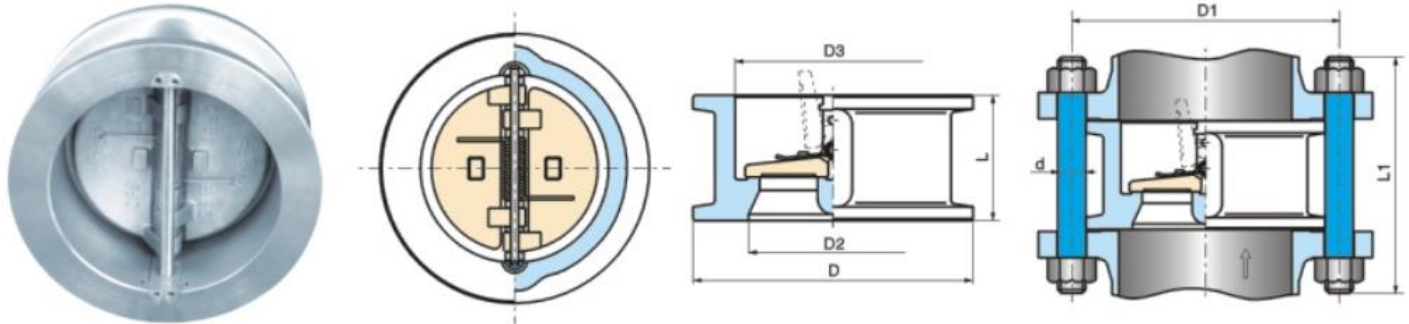
Design and Manufacturing Standards

Valve Design: API 594

Flange Dimensions: ASME B16.47/MSS SP-44

Face to Face Dimensions: API 594

Tested In Accordance with: API 598



Pressure Class	Size	Dimension(mm)				Weight(Kg)	Pipe Flange (for reference)				
		L	D	D2	D3		D1	Bolt Quantity	Bolt Diameter d	Bolt Length L1	
										RF	RTJ
Class 150	2	60	103	51	61	2.5	120.5	4	M16	140	155
	2½	67	122	65	75	3	139.5	4	M16	150	165
	3	73	135	80	92	4	152.5	4	M16	160	175
	4	73	173	102	114	6	190.5	8	M16	170	185
	5	86	195	127	140	8	216	8	M20	190	205
	6	98	220	152	166	13	241.5	8	M20	205	220
	8	127	277	203	210	25	298.5	8	M20	240	255
	10	146	337	254	266	39	362	12	M24	270	285
	12	181	407	305	310	54	432	12	M24	310	325
	14	184	448	350	355	80	476	12	M27	325	340
	16	191	512	400	405	117	540	16	M27	340	355
	18	203	547	450	455	138	578	16	M30	365	380
	20	219	604	500	505	163	635	20	M30	385	400
24	222	715	600	605	331	749.5	20	M30	405	420	
Class 150 ASME B16.47B/API605	26	222	722	630	650	360	744.5	36	M20	365	-
	28	305	773	700	700	380	795.5	40	M20	455	-
	30	305	824	746	750	425	846	44	M20	455	-
	32	305	878	796	800	560	900	48	M20	460	-
	36	368	983	898	903	640	1009.5	44	M24	540	-
	40	432	1090	976	985	870	1120.5	44	M27	620	-
	42	432	1142	1050	1055	960	1171.5	48	M27	625	-
	44	432	1193	1070	1070	1150	1222	52	M27	630	-
	48	524	1302	1200	1205	1400	1335	44	M30	740	-
	54	591	1460	1312	1315	2245	1492	56	M30	820	-
	56	591	1512	1360	1370	2830	1543	60	M30	820	-
	60	660	1628	1458	1470	3200	1662	52	M33	900	-

SVI WAFER TYPE DUAL-PLATE CHECK VALVE

Product Line Technical Data

YOUR ONE-STOP VALVE SOURCING CHANNEL

Pressure Class	Size	Dimension(mm)				Weight(Kg)	Pipe Flange (for reference)				
		L	D	D2	D3		D1	Bolt Quantity	Bolt Diameter d	Bolt Length L1	
										RF	RTJ
Class 150 ASME B16.47A	26	222	770	633	650	380	806.5	24	M33	450	-
	28	305	827	700	700	400	863.5	28	M33	535	-
	30	305	878	746	750	440	914.5	28	M33	545	-
	32	305	935	796	800	580	978	28	M39X3	570	-
	36	368	1045	874	894	660	1086	32	M39X3	650	-
	40	432	1158	976	985	890	1200	36	M39X3	710	-
	42	432	1213	1050	1055	980	1257.5	36	M39X3	730	-
	44	432	1274	1070	1070	1170	1314.5	40	M39X3	730	-
	48	524	1380	1166	1205	1450	1422.5	44	M39X3	840	-
	54	591	1545	1312	1315	2300	1594	44	M45X3	950	-
	56	591	1602	1360	1370	2850	1651	48	M45X3	955	-
60	660	1710	1458	1470	3225	1759	52	M45X3	1040	-	

Pressure Class	Size	Dimension(mm)				Weight(Kg)	Pipe Flange (for reference)				
		L	D	D2	D3		D1	Bolt Quantity	Bolt Diameter d	Bolt Length L1	
										RF	RTJ
Class 300	2	60	110	51	61	3	127	8	M16	155	175
	2½	67	128	65	75	4	149	8	M20	175	195
	3	73	147	80	92	6	168.5	8	M20	190	210
	4	73	179	102	114	8	200	8	M20	195	215
	5	86	214	127	140	15	235	8	M20	215	235
	6	98	249	152	166	18	270	12	M20	230	250
	8	127	305	203	210	31	330	12	M24	280	300
	10	146	359	254	266	51	387.5	16	M27	315	335
	12	181	420	305	310	77	451	16	M30	365	385
	14	222	483	350	355	117	514.5	20	M30	410	430
	16	232	537	400	405	190	571.5	20	M33	435	455
	18	264	594	450	455	200	628.5	24	M33	475	495
	20	292	652	500	505	265	686	24	M33	510	535
	24	318	772	600	608	410	813	24	M39x3	560	585
Class 300 ASME B16.47B/ API605	26	356	767	633	640	565	803	32	M33	625	-
	28	368	821	685	685	585	857	36	M33	635	-
	30	368	882	735	740	660	921	36	M36X3	650	-
	32	368	936	784	784	970	978	32	M39X3	675	-
	36	483	1044	873	880	1020	1089	32	M42X3	800	-
	40	546	1146	976	985	1420	1191	40	M42X3	885	-
	42	568	1196	1035	1045	1540	1244.5	36	M45X3	920	-
	48	629	1365	1166	1190	2260	1416	40	M48X3	1010	-
	54	718	1526	1312	1315	3102	1578	48	M48X3	1140	-
Class 300 ASME B16.47A/ MSS SP-44	60	838	1704	1458	1470	4315	1764	40	M56X3	1280	-
	26	356	831	633	640	580	876	28	M42X3	625	-
	28	368	895	685	685	600	940	28	M42X3	650	-
	30	368	949	735	740	680	997	28	M45X3	665	-
	32	368	1003	784	784	990	1054	28	M48X3	685	-
	36	483	1113	873	880	1050	1168.5	32	M52X3	820	-
	40	546	1110	976	985	1400	1156	32	M42X3	885	-
	42	568	1161	1035	1045	1520	1206.5	32	M42X3	915	-
	48	629	1320	1166	1190	2250	1371.5	32	M48X3	1015	-
	54	718	1489	1312	1315	3080	1549.5	28	M56X3	1160	-
60	838	1642	1458	1470	4300	1702	32	M56X3	1305	-	

SVI WAFER TYPE DUAL-PLATE CHECK VALVE

Product Line Technical Data

YOUR ONE-STOP VALVE SOURCING CHANNEL

Pressure Class	Size	Dimension(mm)				Weight(Kg)	Pipe Flange (for reference)				
		L	D	D2	D3		D1	Bolt Quantity	Bolt Diameter d	Bolt Length L1	
										RF	RTJ
Class 600	2	60	110	51	61	4	127	8	M16	175	180
	2½	67	128	65	75	5	149	8	M20	195	200
	3	73	147	80	92	8	168.5	8	M20	210	215
	4	79	191	102	108	11	216	8	M24	235	240
	5	105	239	127	136	20	267	8	M27	280	285
	6	136	264	152	162	26	292	12	M27	320	325
	8	165	318	200	212	55	349	12	M30	370	375
	10	213	398	250	266	95	432	16	M33	440	445
	12	229	455	305	312	140	489	20	M33	460	465
	14	273	490	337	355	223	527	20	M36X3	520	525
	16	305	562	387	400	360	603	20	M39X3	575	580
	18	362	610	438	450	395	654	20	M42X3	650	655
	20	368	680	489	500	518	724	24	M42X3	670	680
24	438	786	591	600	836	838	24	M48X3	780	795	
Class 600 ASME B16.47B/API605	26	457	761	633	640	950	806.5	28	M42X3	790	805
	28	483	815	684	690	1215	863.5	28	M45X3	830	845
	30	505	875	735	740	1378	927	28	M48X3	875	890
	32	533	928	779	784	1643	984	28	M52X3	920	940
	36	635	1045	874	880	2120	1005	28	M56X3	1065	1085
Class 600 ASME B16.47A MSS SP-44	26	457	863	633	640	980	914.5	28	M48X3	795	810
	28	483	910	684	690	1250	965	28	M52X3	835	850
	30	505	967	735	740	1420	1022.5	28	M52X3	860	905
	32	533	1020	779	784	1700	1079.5	28	M56X3	905	925
	36	635	1126	874	880	2200	1194	28	M64X3	1035	1055
	40	660	1153	976	985	2650	1213	32	M56X3	1115	-
	42	702	1215	1020	1030	3135	1283	28	M64X3	1190	-
48	787	1386	1166	1170	3755	1460.5	32	M70X3	1330	-	

Pressure Class	Size	Dimension(mm)				Weight(Kg)	Pipe Flange (for reference)				
		L	D	D2	D3		D1	Bolt Quantity	Bolt Diameter d	Bolt Length L1	
										RF	RTJ
Class 900	2	70	140	51	58	8	165	8	M24	225	230
	2½	83	162	65	73	11	190.5	8	M27	250	255
	3	83	165	80	90	14	190.5	8	M24	240	245
	4	102	204	102	108	20	235	8	M30	285	290
	5	110	245	127	136	30	279.5	8	M33	310	315
	6	159	286	150	162	42	317.5	12	M30	365	370
	8	206	356	200	212	84	393.5	12	M36x3	440	445
	10	241	432	250	266	145	470	16	M36x3	490	495
	12	292	495	305	312	220	533.5	20	M36x3	560	565
	14	356	518	337	355	350	559	20	M39X3	645	655
	16	384	572	387	400	470	616	20	M42X3	685	695
	18	451	635	438	450	605	686	20	M48X3	790	805
	20	451	695	487	496	820	749.5	20	M52X3	810	825
	24	495	835	591	600	1050	901.5	20	M64X3	945	965
Class 900 ASME B16.47B API605	26	533	835	617	630	1182	901.5	20	M64X3	955	1050
	28	572	898	665	680	1441	971.5	20	M70X3	1030	1145
	30	635	955	712	735	1578	1035	20	M76X3	1125	1180
	32	660	1012	760	784	2030	1092	20	M76X3	1160	1260
	36	718	1120	855	865	2607	1200	24	M76X3	1240	995

SVI WAFER TYPE DUAL-PLATE CHECK VALVE

Product Line Technical Data

YOUR ONE-STOP VALVE SOURCING CHANNEL

Class 900 ASME B16.47A/ MSS SP-44	26	533	879	617	630	1200	952.5	20	M70X3	975	1055
	28	572	943	665	680	1460	1022.5	20	M76X3	1035	1055
	30	635	1006	712	735	1600	1086	20	M76X3	1110	1130
	32	660	1070	760	784	2050	1155.5	20	M82X3	1165	1185
	36	718	1195	855	865	2607	1289	20	M90X3	1265	1285
	40	762	1246	950	965	2930	1340	24	M90X3	1360	-
	42	787	1296	995	1015	3310	1390.5	24	M90X3	1400	-
48	851	1483	1140	1160	4415	1587.5	24	M100X3	1545	-	

Pressure Class	Size	Dimension(mm)				Weight(Kg)	Pipe Flange (for reference)				
		L	D	D2	D3		D1	Bolt Quantity	Bolt Diameter d	Bolt Length L1	
										RF	RTJ
Class 1500	2	70	140	51	58	8	165	8	M24	225	230
	2½	83	162	65	73	11	190.5	8	M27	250	255
	3	83	172	80	90	19	203	8	M30	270	275
	4	102	207	102	108	26	241.5	8	M33	310	315
	5	110	252	127	136	51	292	8	M39X3	370	375
	6	159	280	150	162	68	317.5	12	M36X3	430	440
	8	206	350	200	212	130	393.5	12	M42X3	510	520
	10	248	433	254	266	210	482.5	12	M48X3	600	610
	12	305	518	305	312	384	571.5	16	M52X3	690	715
	14	356	576	337	355	550	635	16	M56X3	775	800
	16	384	639	387	400	635	705	16	M64X3	850	880
	18	468	701	430	438	790	774.5	16	M70X3	955	985
20	533	753	478	487	1275	832.-	16	M76X3	1065	1095	
24	559	897	570	578	2710	990.5	16	M90X3	1170	1205	
Class 2500	2	70	143	42	48	10	171.5	8	M27	255	260
	2½	83	166	52	58	18	197	8	M30	290	305
	3	86	194	62	68	26	228.5	8	M33	320	330
	4	105	232	88	94	40	273	8	M39X3	370	380
	5	110	277	100	106	59	324	8	M45X3	420	435
	6	159	315	150	162	90	368.5	8	M52X3	515	530
	8	206	385	180	186	150	438	12	M52X3	600	620
	10	254	474	225	232	240	539.5	12	M64X3	750	775
12	305	547	266	272	440	619	12	M70X3	855	885	

SVI WAFER TYPE DUAL-PLATE CHECK VALVE

Product Line Technical Data

YOUR ONE-STOP VALVE SOURCING CHANNEL

Wafer Type Double-Disc Check Valve W/Lug End
Pressure Class: 150 thru 2500
Size: 2" thru 48"

Design and Manufacturing Standards

Valve Design: API 594

Flange Dimensions: ASME B16.47

Face to Face Dimensions: API 594

Tested In Accordance with: API 598

CAST STEEL BODY



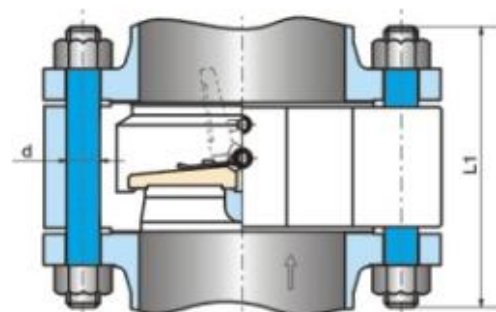
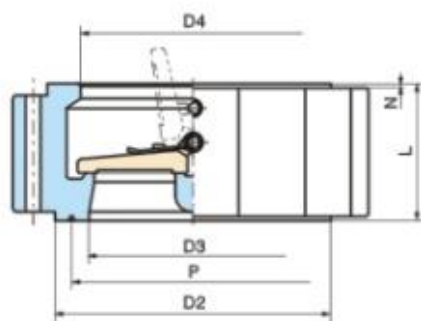
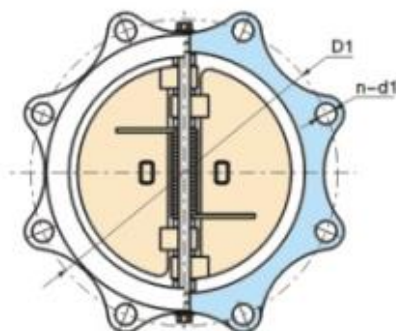
Solid Lug A



Solid Lug B



Hollow Lug



Pressure Class	Size	Dimension(mm)										Weight (Kg)	Pipe Flange (for reference only)			
		L	D1	D2		D3	D4	P	Screw Qty	Bolt Diameter d1	N		Bolt QTY	Bolt Diameter d	Bolt Length L1	
				RF	RJ										RF	RJ
Class 150 ASME B16.47B	2	60	120.5	92	102	51	58	82.55	4	19	2	4	4	M14	140	155
	2½	67	139.5	105	121	65	73	101.6	4	19	2	5.5	4	M16	150	165
	3	73	152.5	127	133	80	88	114.3	4	19	2	7	4	M16	160	175
	4	73	190.5	157	171	102	108	149.22	8	19	2	11	4	M16	170	185
	5	86	216	186	194	127	132	171.45	8	22.5	2	15	8	M16	190	205
	6	98	241.5	216	219	152	160	193.67	8	22.5	2	19	8	M20	205	220
	8	127	298.5	270	273	203	210	247.65	8	22.5	2	36	8	M20	240	255
	10	146	362	324	330	254	266	304.8	12	25.5	2	61	8	M20	270	285
	12	181	432	381	406	305	310	381	12	25.5	2	119	12	M24	310	325
	14	184	476	413	425	350	355	396.87	12	28.5	2	131	12	M24	325	340
	16	191	540	470	483	400	405	454.02	16	28.5	2	180	12	M27	340	355

SVI WAFER TYPE DUAL-PLATE CHECK VALVE

Product Line Technical Data

YOUR ONE-STOP VALVE SOURCING CHANNEL

18	203	578	533	546	450	455	517.52	16	32	2	203	16	M27	365	380
20	219	635	584	597	500	505	558.8	20	32	2	275	16	M30	385	400
24	222	749.5	692	711	600	605	673.1	20	35	2	314	20	M33	405	420
28	305	795.5	762	/	700	700	/	40	22.5	2	910	40	M20	455	/
30	305	846	813	/	746	750	/	44	22.5	2	1025	44	M20	455	/
32	305	900	864	/	796	800	/	48	22.5	2	1344	48	M20	460	/
36	368	1009	972	/	898	903	/	44	25.5	2	1536	44	M24	540	/
42	432	1171	1130	/	1050	1055	/	48	28.5	2	2310	48	M27	625	/
48	524	1335	1289	/	1200	1205	/	44	32	2	3364	44	M30	740	/

Pressure Class	Size	Dimension(mm)										Weight (Kg)	Pipe Flange (for reference only)			
		L	D1	D2		D3	D4	P	Screw Qty	Bolt Diameter d1	N		Bolt QTY	Bolt Diameter d	Bolt Length L1	
				RF	RJ										RF	RJ
Class 300 ASME B16.47B	2	60	127	92	108	51	58	82.55	8	19	2	6	8	M16	155	175
	2½	67	149	105	127	65	73	101.6	8	22.5	2	7	8	M20	175	195
	3	73	168.5	127	146	80	88	123.82	8	22.5	2	10	8	M20	190	210
	4	73	200	157	175	102	108	149.22	8	22.5	2	16	8	M20	195	215
	5	86	235	186	210	127	132	171.45	8	22.5	2	29	8	M20	215	235
	6	98	270	216	241	152	160	211.13	12	22.5	2	32	12	M20	230	250
	8	127	330	270	302	203	210	269.87	12	25.5	2	55	12	M24	280	300
	10	146	387.5	324	356	254	266	323.85	16	28.5	2	82	16	M27	315	335
	12	181	451	381	413	305	310	381	16	32	2	92	16	M30	365	385
	14	222	514.5	413	457	350	355	419.1	20	32	2	251	20	M30	410	430
	16	232	571.5	470	508	400	405	469.9	20	35	2	342	20	M33	435	455
	18	264	628.5	533	575	450	455	533.4	24	35	2	391	24	M33	475	495
	20	292	686	584	635	500	505	584.2	24	35	2	536	24	M33	510	535
	24	318	813	692	749	600	608	692.15	24	41	2	833	24	M39	560	585
	30	368	921	845	/	735	740	/	36	38	2	1395	36	M36	650	/
36	483	1089	1010	/	873	880	/	32	44.5	2	1862	32	M42	800	/	
42	568	1245	1168	/	1035	1045	/	36	48	2	3861	36	M45	920	/	
48	629	1416	1327	/	1179	1190	/	40	51	2	4370	40	M48	1010	/	

Pressure Class	Size	Dimension(mm)										Weight (Kg)	Pipe Flange (for reference only)			
		L	D1	D2		D3	D4	P	Screw Qty	Bolt Diameter d1	N		Bolt QTY	Bolt Diameter d	Bolt Length L1	
				RF	RJ										RF	RJ
Class 600	2	60	127	92	108	51	58	82.55	8	19	7	6.5	8	M16	175	180
	2½	67	149	105	127	65	73	101.6	8	22.5	7	8	8	M20	195	200
	3	73	168.5	127	146	80	88	123.82	8	22.5	7	10	8	M20	210	215
	4	79	216	157	175	102	108	149.22	8	25.5	7	21	8	M24	235	240
	5	105	266.5	186	210	127	136	180.97	8	28.5	7	41	8	M27	280	285
	6	136	292	216	241	152	162	211.13	12	28.5	7	57	12	M27	320	325
	8	165	349	270	302	200	212	269.87	12	32	7	94	12	M30	370	375
	10	213	432	324	356	250	266	323.85	16	35	7	164	16	M33	440	445
	12	229	489	381	413	305	312	381	20	35	7	213	20	M33	460	465
	14	273	527	413	457	337	355	419.1	20	38	7	343	20	M36	520	525
	16	305	603	470	508	387	400	469.9	20	41	7	476	20	M39	575	580
	18	362	654	533	575	438	450	533.4	20	44.5	7	685	20	M42	650	655

SVI WAFER TYPE DUAL-PLATE CHECK VALVE

Product Line Technical Data

YOUR ONE-STOP VALVE SOURCING CHANNEL

20	368	724	584	635	489	500	584.2	24	44.5	7	908	24	M42	670	680
24	438	838	692	749	591	600	692.15	24	51	7	1088	24	M48	780	790

Pressure Class	Size	Dimension(mm)										Weight (Kg)	Pipe Flange (for reference only)			
		L	D1	D2		D3	D4	P	Screw Qty	Bolt Diameter d1	N		Bolt QTY	Bolt Diameter d	Bolt Length L1	
				RF	RJ										RF	RJ
Class 900	2	70	165.1	92	124	51	58	95.55	8	25.5	7	13	8	M24	225	230
	2½	83	190.5	105	137	65	73	107.95	8	28.5	7	18	8	M27	250	255
	3	83	190.5	127	156	80	90	123.82	8	25.5	7	21	8	M24	240	245
	4	102	234.9	157	181	102	108	149.22	8	32	7	36	8	M30	285	290
	5	110	279.4	186	216	127	136	180.98	8	35	7	65	8	M33	310	315
	6	159	317.5	216	241	152	162	211.13	12	32	7	92	12	M30	365	370
	8	206	393.7	270	308	200	212	269.88	12	38	7	174	12	M36	440	445
	10	241	469.9	324	362	250	266	323.85	16	38	7	264	16	M36	490	495
	12	292	533.4	381	419	305	312	381	20	38	7	450	20	M36	560	565
	14	356	558.8	413	467	337	355	419.1	20	41	7	612	20	M39	645	655
	16	384	615.9	470	524	387	400	469.9	20	44.5	7	712	20	M42	685	695
	18	451	685.8	533	594	438	450	533.4	20	51	7	1160	20	M48	790	805
20	451	749.3	584	648	487	496	584.2	20	54	7	1568	20	M52	810	825	
24	495	901.7	692	772	591	600	692.15	20	66.5	7	1881	20	M64	945	965	

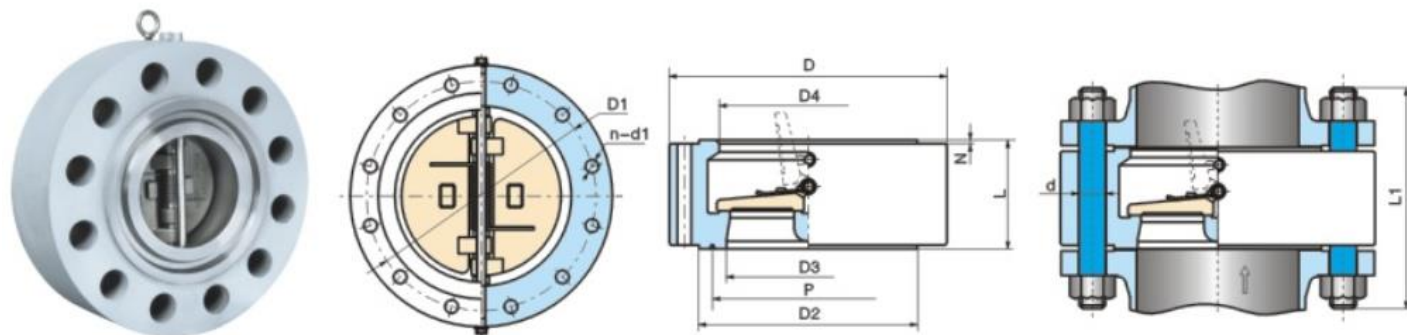
Pressure Class	Size	Dimension(mm)										Weight (Kg)	Pipe Flange (for reference only)			
		L	D1	D2		D3	D4	P	Screw Qty	Bolt Diameter d1	N		Bolt QTY	Bolt Diameter d	Bolt Length L1	
				RF	RJ										RF	RJ
Class 1500	2	70	165.1	92	124	51	58	95.55	8	25.5	7	14	8	M24	225	230
	2½	83	190.5	105	137	65	73	107.95	8	28.5	7	19	8	M27	250	255
	3	83	203.2	127	168	80	90	136.52	8	32	7	25	8	M30	270	275
	4	102	241.3	157	194	102	108	161.92	8	35	7	43	8	M33	310	315
	5	110	292.1	186	229	127	136	193.68	8	41	7	72	8	M39	370	375
	6	159	317.5	216	248	152	162	211.12	12	38	7	101	12	M36	430	440
	8	206	393.7	270	318	200	212	269.88	12	45	7	240	12	M42	510	520
	10	248	482.6	324	371	250	266	323.85	12	51	7	306	12	M48	600	610
	12	305	571.5	381	438	305	312	381	16	54	7	541	16	M52	695	715
	14	356	635	413	489	337	355	419.1	16	61	7	932	16	M56	775	800
Class 2500	2	70	171.4	92	133	42	48	101.6	8	28.5	7	19	8	M27	225	260
	2½	83	196.8	105	149	52	58	111.12	8	32	7	31	8	M30	290	305
	3	86	228.6	127	168	62	68	127	8	35	7	38	8	M33	320	330
	4	105	273	157	203	88	94	157.18	8	41	7	69	8	M39	370	380
	5	110	323.8	186	241	100	106	190.5	8	48	7	135	8	M45	420	435
	6	159	368.3	216	279	150	162	228.6	8	54	7	184	8	M52	515	530
	8	206	438.1	270	340	180	186	279.4	12	54	7	380	12	M52	600	620
	10	254	539.7	324	425	225	232	342.9	12	66.5	7	489	12	M64	750	775
12	305	619.1	381	495	266	272	406.4	16	73	7	747	12	M70	855	885	

SVI WAFER TYPE DUAL-PLATE CHECK VALVE

Product Line Technical Data

YOUR ONE-STOP VALVE SOURCING CHANNEL

FORGED STEEL BODY



Pressure Class	Size	Dimension(mm)											Weight(Kg)	Pipe Flange (for reference)			
		L	D	D1	D2		D3	D4	P	Screw Qty	Bolt Diameter d1	N		Bolt QTY	Bolt Diameter d	Bolt Length L1	
					RF	RJ										RF	RJ
Class 150 ASME B16.47B	2	60	150	120.5	92	102	51	58	82.55	4	19	2	7	4	M14	140	155
	2½	67	180	139.5	105	121	65	73	101.6	4	19	2	9	4	M16	150	165
	3	73	190	152.5	127	133	80	88	114.3	4	19	2	12	4	M16	160	175
	4	73	230	190.5	157	171	102	108	149.22	8	19	2	19	4	M16	170	185
	5	86	255	216	186	194	127	132	171.45	8	22.5	2	25	8	M16	190	205
	6	98	280	241.5	216	219	152	160	193.67	8	22.5	2	32	8	M20	205	220
	8	127	345	298.5	270	273	203	210	247.65	8	22.5	2	63	8	M20	240	255
	10	146	405	362	324	330	254	266	304.8	12	25.5	2	93	8	M20	270	285
	12	181	485	432	381	406	305	310	381	12	25.5	2	170	12	M24	310	325
	14	184	535	476	413	425	350	355	396.87	12	28.5	2	199	12	M24	325	340
	16	191	595	540	470	483	400	405	454.02	16	28.5	2	246	12	M27	340	355
	18	203	635	578	533	546	450	455	517.52	16	32	2	290	16	M27	365	380
	20	219	700	635	584	597	500	505	558.8	20	32	2	348	16	M30	385	400
	24	222	815	749.5	692	711	600	605	673.1	20	35	2	396	20	M33	405	420
	28	305	835	795.5	762	/	700	700	/	40	22.5	2	1270	40	M20	455	/
	30	305	885	846	813	/	746	750	/	44	22.5	2	1987	44	M20	455	/
	32	305	940	900	864	/	796	800	/	48	22.5	2	2925	48	M20	460	/
	36	368	1055	1009.5	972	/	898	903	/	44	25.5	2	1430	44	M24	540	/
42	432	1225	1171.5	1130	/	1050	1055	/	48	28.5	2	2377	48	M27	625	/	
48	524	1390	1335	1289	/	1200	1205	/	44	32	2	4174	44	M30	740	/	

SVI WAFER TYPE DUAL-PLATE CHECK VALVE

Product Line Technical Data

YOUR ONE-STOP VALVE SOURCING CHANNEL

Pressure Class	Size	Dimension(mm)											Weight (Kg)	Pipe Flange (for reference)			
		L	D	D1	D2		D3	D4	P	Screw Qty	Bolt Diameter d1	N		Bolt QTY	Bolt Diameter d	Bolt Length L1	
					RF	RJ										RF	RJ
Class 300 ASME B16.47B	2	60	165	127	92	108	51	58	82.55	8	19	2	8	8	M16	155	175
	2½	67	190	149	105	127	65	73	101.6	8	22.5	2	10	8	M20	175	195
	3	73	210	169	127	146	80	88	123.82	8	22.5	2	14	8	M20	190	210
	4	73	255	200	157	175	102	108	149.22	8	22.5	2	23	8	M20	195	215
	5	86	280	235	186	210	127	132	171.45	8	22.5	2	41	8	M20	215	235
	6	98	320	270	216	241	152	160	211.13	12	22.5	2	45	12	M20	230	250
	8	127	380	330	270	302	203	210	269.87	12	25.5	2	78	12	M24	280	300
	10	146	445	388	324	356	254	266	323.85	16	28.5	2	115	16	M27	315	335
	12	181	520	451	381	413	305	310	381	16	32	2	242	16	M30	365	385
	14	222	585	515	413	457	350	355	419.1	20	32	2	360	20	M30	410	430
	16	232	650	572	470	508	400	405	469.9	20	35	2	489	20	M33	435	455
	18	264	710	629	533	575	450	455	533.4	24	35	2	558	24	M33	475	495
	20	292	775	686	584	635	500	505	584.2	24	35	2	766	24	M33	510	535
	24	318	915	813	692	749	600	608	692.15	24	41	2	1190	24	M39	560	585
	30	368	990	921	845	/	735	740	/	36	38	2	1996	36	M36	650	/
	36	483	1170	1089	1010	/	873	880	/	32	44.5	2	2660	32	M42	800	/
	42	568	1335	1245	1168	/	1035	1045	/	36	48	2	5515	36	M45	920	/
2	60	165	127	92	108	1179	1190	/	40	51	2	6239	40	M48	1010	/	

Pressure Class	Size	Dimension(mm)											Weight (Kg)	Pipe Flange (for reference)			
		L	D	D1	D2		D3	D4	P	Screw Qty	Bolt Diameter d1	N		Bolt QTY	Bolt Diameter d	Bolt Length L1	
					RF	RJ										RF	RJ
Class 600	2	60	165	127	92	108	51	58	82.55	8	19	7	6.5	8	M16	175	180
	2½	67	190	149	105	127	65	73	101.6	8	22.5	7	8	8	M20	195	200
	3	73	210	169	127	146	80	88	123.82	8	22.5	7	10	8	M20	210	215
	4	79	275	216	157	175	102	108	149.22	8	25.5	7	21	8	M24	235	240
	5	105	330	267	186	210	127	136	180.97	8	28.5	7	41	8	M27	280	285
	6	136	355	292	216	241	152	162	211.13	12	28.5	7	57	12	M27	320	325
	8	165	420	349	270	302	200	212	269.87	12	32	7	94	12	M30	370	375
	10	213	510	432	324	356	250	266	323.85	16	35	7	164	16	M33	440	445
	12	229	560	489	381	413	305	312	381	20	35	7	213	20	M33	460	465
	14	273	605	527	413	457	337	355	419.1	20	38	7	343	20	M36	520	525
	16	305	685	603	470	508	387	400	469.9	20	41	7	476	20	M39	575	580
	18	362	745	654	533	575	438	450	533.4	20	44.5	7	685	20	M42	650	655
	20	368	815	724	584	635	489	500	584.2	24	44.5	7	908	24	M42	670	680
	24	438	940	838	692	749	591	600	692.15	24	51	7	1088	24	M48	780	790

Pressure Class	Size	Dimension(mm)											Weight (Kg)	Pipe Flange (for reference)			
		L	D	D1	D2		D3	D4	P	Screw Qty	Bolt Diameter d1	N		Bolt QTY	Bolt Diameter d	Bolt Length L1	
					RF	RJ										RF	RJ
Class 900	2	70	215	165	92	124	51	58	95.55	8	25.5	7	13	8	M24	225	230
	2½	83	245	191	105	137	65	73	107.95	8	28.5	7	18	8	M27	250	255
	3	83	240	191	127	156	80	90	123.82	8	25.5	7	21	8	M24	240	245
	4	102	290	235	157	181	102	108	149.22	8	32	7	36	8	M30	285	290
	5	110	350	279	186	216	127	136	180.98	8	35	7	65	8	M33	310	315
	6	159	380	318	216	241	152	162	211.13	12	32	7	92	12	M30	365	370

SVI WAFER TYPE DUAL-PLATE CHECK VALVE

Product Line Technical Data

YOUR ONE-STOP VALVE SOURCING CHANNEL

	8	206	470	394	270	308	200	212	269.88	12	38	7	174	12	M36	440	445
	10	241	545	470	324	362	250	266	323.85	16	38	7	264	16	M36	490	495
	12	292	610	533	381	419	305	312	381	20	38	7	450	20	M36	560	565
	14	356	640	559	413	467	337	355	419.1	20	41	7	612	20	M39	645	655
	16	384	705	616	470	524	387	400	469.9	20	44.5	7	712	20	M42	685	695
	18	451	785	686	533	594	438	450	533.4	20	51	7	1160	20	M48	790	805
	20	451	855	749	584	648	487	496	584.2	20	54	7	1568	20	M52	810	825
	24	495	1040	902	692	772	591	600	692.15	20	66.5	7	1881	20	M64	945	965
Class 1500	2	70	215	165	92	124	51	58	95.55	8	25.5	7	14	8	M24	225	230
	2½	83	245	191	105	137	65	73	107.95	8	28.5	7	19	8	M27	250	255
	3	83	265	203	127	168	80	90	136.52	8	32	7	25	8	M30	270	275
	4	102	310	241	157	194	102	108	161.92	8	35	7	43	8	M33	310	315
	5	110	375	292	186	229	127	136	193.68	8	41	7	72.	8	M39	370	375
	6	159	395	318	216	248	152	162	211.12	12	38	7	101	12	M36	430	440
	8	206	485	394	270	318	200	212	269.88	12	45	7	240	12	M42	510	520
	10	248	585	483	324	371	250	266	323.85	12	51	7	306	12	M48	600	610
	12	305	675	572	381	438	305	312	381	16	54	7	541	16	M52	695	715
	14	356	750	635	413	489	337	355	419.1	16	61	7	932	16	M56	775	800
16	384	825	705	470	546	387	400	469.9	16	66.5	7	980	16	M64	850	880	

Pressure Range	Size	Dimension(mm)											Weight(Kg)	Pipe Flange (for reference)			
		L	D	D1	D2		D3	D4	P	Screw Qty	Bolt Diameter d1	N		Bolt Qty	Bolt Diameter	Bolt Length L1	
					RF	RJ										RF	RJ
Class 2500	2	70	235	171.4	92	133	42	48	101.6	8	28.5	7	19	8	M27	225	260
	2½	83	265	196.8	105	149	52	58	111.12	8	32.0	7	31	8	M30	290	305
	3	86	305	228.6	127	168	62	68	127	8	35.0	7	38	8	M33	320	330
	4	105	355	273	157	203	88	94	157.18	8	41.0	7	69	8	M39	370	380
	5	110	420	323.8	186	241	100	106	190.5	8	48.0	7	135	8	M45	420	435
	6	159	485	368.3	216	279	150	162	228.6	8	54.0	7	184	8	M52	515	530
	8	206	550	438.1	270	340	180	186	279.4	12	54.0	7	380	12	M52	600	620
	10	254	675	539.7	324	425	225	232	342.9	12	66.5	7	489	12	M64	750	775
	12	305	760	619.1	381	495	266	272	406.4	16	73.0	7	747	12	M70	855	885

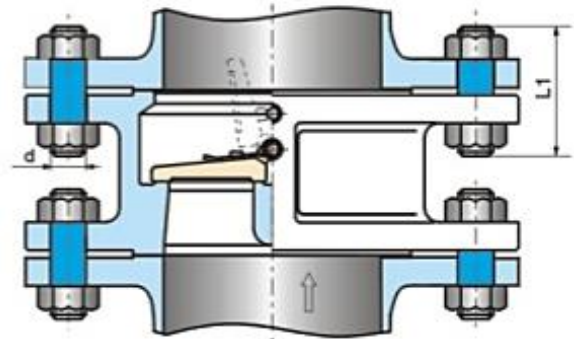
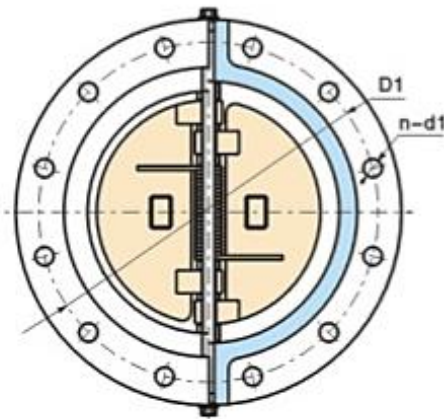
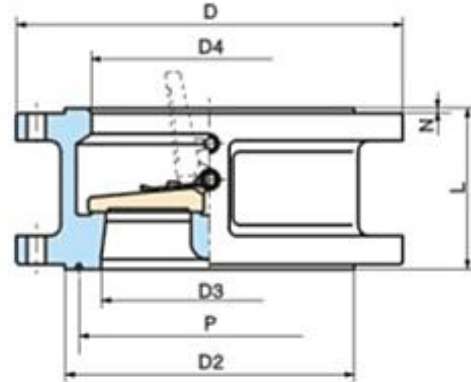
SVI WAFER TYPE DUAL-PLATE CHECK VALVE

Product Line Technical Data

YOUR ONE-STOP VALVE SOURCING CHANNEL

Double Flanged Dual-Plate Check Valve
Pressure Class: 150 thru 1500
Size: 8" thru 48"

Design and Manufacturing Standards
Valve Design: API 6D
Flange Dimensions: ASME B16.47
Face to Face Dimensions: API 6D
Tested In Accordance with: API 598



Pressure Class	Size	Dimension(mm)										Pipe Flange (for reference only)				
		L	D	D1	D2		D3	D4	P	Screw Qty	Bolt Diameter d1	N	Bolt QTY	Bolt Diameter d	Bolt Length L1	
					RF	RJ									RF	RJ
Class 150 ASME B16.47B	8	127	345	298.5	270	273	203	210	247.65	8	22.5	2	8	M20	120	135
	10	146	405	362	324	330	254	266	304.8	12	25.5	2	12	M24	135	150
	12	181	485	432	381	406	305	310	381	12	25.5	2	12	M24	135	150
	14	184	535	476	413	425	350	355	396.87	12	28.5	2	12	M27	145	160
	16	191	595	540	470	483	400	405	454.02	16	28.5	2	16	M27	155	170
	18	203	635	578	533	546	450	455	517.52	16	32	2	16	M30	165	180
	20	219	700	635	584	597	500	505	558.8	20	32	2	20	M30	170	185
	24	222	815	749.5	692	711	600	605	673.1	20	35	2	20	M33	185	200
	28	305	835	795.5	762	/	700	700	/	40	22.5	2	40	M20	205	/
	30	305	885	846	813	/	746	750	/	44	22.5	2	44	M20	210	/
	32	305	940	900	864	/	796	800	/	48	22.5	2	48	M20	225	/
	36	368	1055	1009.5	972	/	898	903	/	44	25.5	2	44	M24	250	/
	42	432	1225	1171.5	1130	/	1050	1055	/	48	28.5	2	48	M27	275	/
48	524	1390	1335	1289	/	1200	1205	/	44	32	2	44	M30	305	/	

Size	Dimension(mm)	Pipe Flange (for reference)
------	---------------	-----------------------------

SVI WAFER TYPE DUAL-PLATE CHECK VALVE

Product Line Technical Data

YOUR ONE-STOP VALVE SOURCING CHANNEL

Pressure Class	L	D	D1	D2		D3	D4	P	Screw Qty	Bolt Diameter d1	N	Bolt QTY	Bolt Diameter d	Bolt Length L1		
				RF	RJ									RF	RJ	
Class 300 ASME B16.47B	8	127	380	330	270	302	203	210	269.87	12	25.5	2	12	M24	155	175
	10	146	445	387.5	324	356	254	266	323.85	16	28.5	2	16	M27	175	195
	12	181	520	451	381	413	305	310	381	16	32	2	16	M30	185	205
	14	222	585	514.5	413	457	350	355	419.1	20	32	2	20	M30	195	215
	16	232	650	571.5	470	508	400	405	469.9	20	35	2	20	M33	205	225
	18	264	710	628.5	533	575	450	455	533.4	24	35	2	24	M33	210	230
	20	292	775	686	584	635	500	505	584.2	24	35	2	24	M33	215	230
	24	318	915	813	692	749	600	608	692.15	24	41	2	24	M39	250	265
	30	368	990	921	845	/	735	740	/	36	38	2	36	M36	290	/
	36	483	1170	1089	1010	/	873	880	/	36	44.5	2	36	M42	325	/
	42	568	1335	1245	1168	/	1035	1045	/	36	48	2	36	M45	360	/
48	629	1510	1416	1327	/	1179	1190	/	40	51	2	40	M48	400	/	
Class 600	8	165	420	349	270	302	200	212	269.87	12	32	7	12	M30	210	215
	10	213	510	432	324	356	250	266	323.85	16	35	7	16	M33	230	235
	12	229	560	489	381	413	305	312	381	20	35	7	20	M33	240	245
	14	273	605	527	413	457	337	355	419.1	20	38	7	20	M36	260	265
	16	305	685	603	470	508	387	400	469.9	20	41	7	20	M39	280	285
	18	362	745	654	533	575	438	450	533.4	20	44.5	7	20	M42	295	300
	20	368	815	724	584	635	489	500	584.2	20	44.5	7	20	M42	310	315
Class 900	8	206	470	393.7	270	308	200	212	269.88	12	38	7	12	M36	245	250
	10	241	545	469.9	324	362	250	266	323.85	16	38	7	16	M36	260	265
	12	292	610	533.4	381	419	305	312	381	20	38	7	20	M36	275	280
	14	356	640	558.8	413	467	337	355	419.1	20	41	7	20	M39	295	305
	16	384	705	615.9	470	524	387	400	469.9	20	44.5	7	20	M42	305	315
	18	451	785	685.8	533	594	438	450	533.4	20	51	7	20	M48	350	365
	20	451	855	749.3	584	648	487	496	584.2	20	54	7	20	M52	370	385
	24	495	1040	901.7	692	772	591	600	692.15	20	66.5	7	20	M64	470	490
Class 1500	8	206	485	393.7	270	318	200	212	269.88	12	45	7	12	M42	315	325
	10	248	585	482.6	324	371	250	266	323.85	12	51	7	12	M48	365	375
	12	305	675	571.5	381	438	305	312	381	16	54	7	16	M52	400	415
	14	356	750	635	413	489	337	355	419.1	16	61	7	16	M56	435	455
	16	384	825	704.8	470	546	387	400	469.9	16	66.5	7	16	M64	480	505

SVI Wafer Type Single-Disc Check Valve

Product Line Technical Data

YOUR ONE-STOP VALVE SOURCING CHANNEL

Wafer Type Single-Disc Check Valve
Pressure Class: 150 thru 900
Size: 2" thru 24"

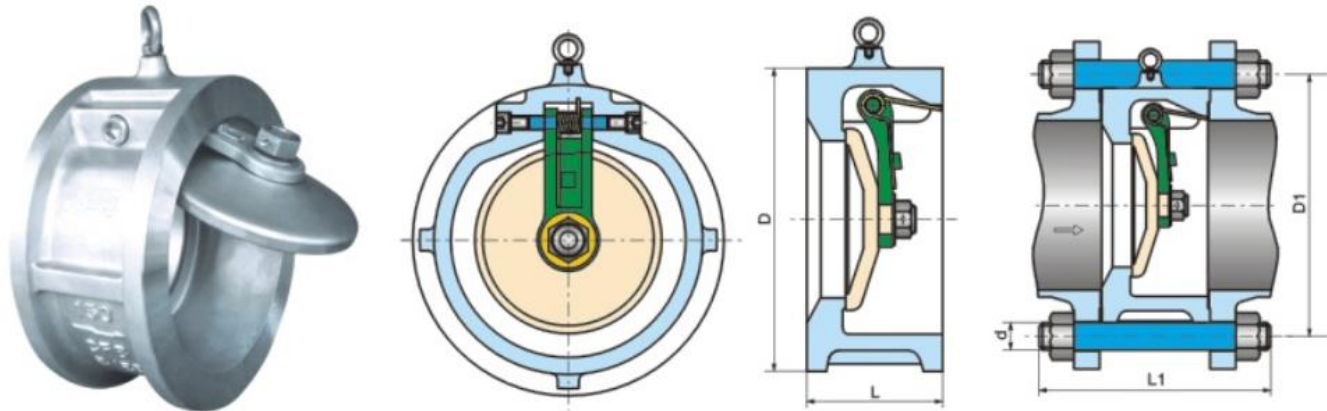
Design and Manufacturing Standards

Valve Design: API6D

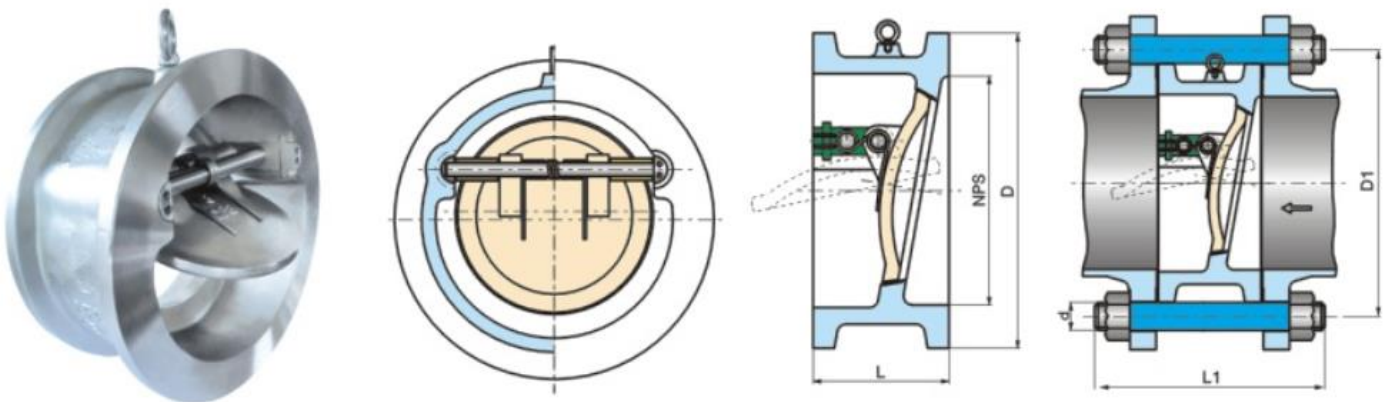
Flange Dimensions: ASME B16.47

Face to Face Dimensions: API6D

Tested In Accordance with: API 598



Wafer Type Single-Disc Check Valve (Long Series)



Wafer Type Single-Disc Check Valve (Tilting Disc)

Pressure Class	Size	Dimension(mm)		Weight(Kg)	Pipe Flange (for reference)				
		L	D		D1	Screw Quantity	Screw Diameter d1	Bolt Length L1	
								RF	RJ
Class 150	2	60	103	3	120.5	4	M16	140	155
	2½	67	122	4	139.5	4	M16	150	165
	3	73	135	5	152.5	4	M16	160	175
	4	73	173	8	190.5	8	M16	170	185
	5	86	195	10	216	8	M20	190	205
	6	98	220	16	241.5	8	M20	205	220
	8	127	277	30	298.5	8	M20	240	255
	10	146	337	47	362	12	M24	270	285
	12	181	407	65	432	12	M24	310	325
	14	184	448	102	476	12	M27	325	340
	16	191	512	137	540	16	M27	340	355
18	203	547	166	578	16	M30	365	380	

SVI Wafer Type Single-Disc Check Valve

Product Line Technical Data

YOUR ONE-STOP VALVE SOURCING CHANNEL

	20	219	604	193	635	20	M30	385	400
	24	222	715	397	749.5	20	M33	405	420

Pressure Class	Size	Dimension(mm)		Weight(Kg)	Pipe Flange (for reference)				
		L	D		D1	Screw Quantity	Screw Diameter d1	Bolt Length L1	
								RF	RJ
Class 300	2	60	110	4	127	8	M16	155	175
	2½	67	128	5	149	8	M20	175	195
	3	73	147	7	168.5	8	M20	190	210
	4	73	179	10	200	8	M20	195	215
	5	86	214	18	235	8	M20	215	235
	6	98	249	22	270	12	M20	230	250
	8	127	305	37	330	12	M24	280	300
	10	146	359	61	387.5	16	M27	315	335
	12	181	420	92	451	16	M30	365	385
	14	222	483	140	514.5	20	M30	410	430
	16	232	537	228	571.5	20	M33	435	455
	18	264	594	240	628.5	24	M33	475	495
	20	292	652	318	686	24	M33	510	535
24	318	772	492	813	24	M39	560	585	
Class 600	2	60	110	5	127	8	M16	175	180
	2½	67	128	6	149	8	M20	195	200
	3	73	147	10	168.5	8	M20	210	215
	4	79	191	13	216	8	M24	235	240
	5	105	239	24	267	8	M27	280	285
	6	136	264	31	292	12	M27	320	325
	8	165	318	66	349	12	M30	370	375
	10	213	398	114	432	16	M33	440	445
	12	229	455	168	489	20	M33	460	465
	14	273	490	268	527	20	M36	520	525
	16	305	562	432	603	20	M39	575	580
	18	362	610	474	654	20	M42	650	655
	20	368	680	622	724	24	M42	670	680
24	438	786	1003	838	24	M48	780	795	
Class 900	2	70	140	10	165	8	M24	225	230
	2½	83	162	13	190.5	8	M27	250	255
	3	83	165	17	190.5	8	M24	240	245
	4	102	204	24	235	8	M30	285	290
	5	110	245	36	279.5	8	M33	310	315
	6	159	286	50	317.5	12	M30	365	370
	8	206	356	101	393.5	12	M36	440	445
	10	241	432	174	470	16	M36	490	495
	12	292	495	264	533.5	20	M36	560	565
	14	356	518	420	559	20	M39	645	655
	16	384	572	564	616	20	M42	685	695
	18	451	635	726	686	20	M48	790	805
	20	451	695	984	749.5	20	M52	810	825
24	495	835	1260	901.5	20	M64	945	965	

Wafer Type Single-Disc Lift Check Valve Pressure Class: 150 thru 900 Size: 1/2" thru 8"

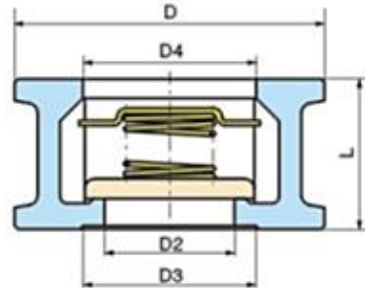
Design and Manufacturing Standards

Valve Design: API 6D

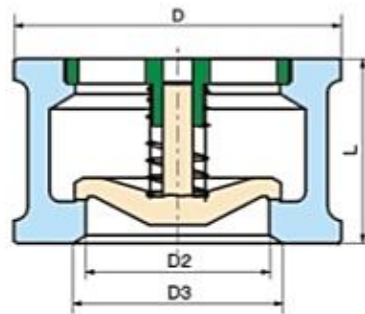
Flange Dimensions: ASME B16.47

Face to Face Dimensions: API 6D

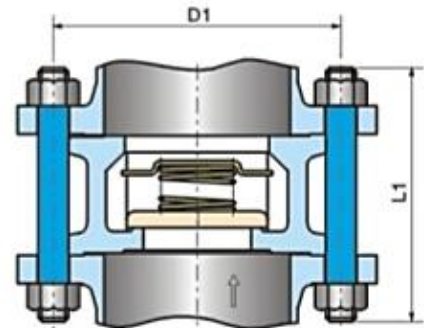
Tested In Accordance with: API 598



Size ≤ 3"



Size ≥ 4"



Pressure Class	Size	Dimension(mm)					Weight(Kg)	Pipe Flange (for reference)				
		L	D	D2	D3	D4		D1	Bolt Quantity	Screw Diameter d1	Bolt Length L1	
											RF	RJ
Class 150	1/2	25	46	15	25	25	0.28	60.5	4	M14	90	/
	3/4	31.5	56	19	30	30	0.42	70	4	M14	100	/
	1	35.5	65	24	36	36	0.56	79.5	4	M14	105	120
	1¼	40	74	31	43	43	0.75	89	4	M14	115	130
	1½	45	84	39	52	52	1.3	98.5	4	M14	120	135
	2	56	103	48	62	62	2.1	120.5	4	M16	140	155
	2½	63	122	62	75	75	2.8	139.5	4	M16	155	170
	3	71	135	76	90	90	3.6	152.5	4	M16	165	180
	4	80	173	95	112	112	4.8	190.5	8	M16	175	190
	5	110	195	110	125	132	12	216	8	M20	210	225
Class 300	6	125	220	127	150	158	17	241.5	8	M20	230	245
	8	160	277	165	200	208	29	298.5	8	M20	270	285
	1/2	25	52	15	25	25	0.3	66.5	4	M14	95	105
	3/4	31.5	65	19	30	30	0.46	82.5	4	M16	110	125
	1	35.5	72	24	36	36	0.6	89	4	M16	115	130
	1¼	40	81	31	43	43	0.8	98.5	4	M16	125	140
	1½	45	94	39	52	52	1.5	114.5	4	M20	140	155
	2	56	110	48	62	62	2.4	127	8	M16	145	170
2½	63	128	62	75	75	3	149	8	M20	170	190	
3	71	147	76	90	90	4	168.5	8	M20	185	205	

SVI Wafer Type Single-Disc Check Valve

Product Line Technical Data

YOUR ONE-STOP VALVE SOURCING CHANNEL

	4	80	179	95	112	112	5.5	200	8	M20	200	220
	5	110	214	110	125	132	13	235	8	M20	235	255
	6	125	249	127	150	158	22	270	12	M20	255	275
	8	160	305	165	200	208	36	330	12	M24	305	325
Class 600	1/2	25	52	15	25	25	0.4	66.5	4	M14	95	105
	3/4	31.5	65	19	30	30	0.8	82.5	4	M16	110	125
	1	35.5	72	24	36	36	1	89	4	M16	115	130
	1¼	40	81	31	43	43	1.3	98.5	4	M16	125	140
	1½	45	94	39	52	52	1.8	114.5	4	M20	145	160
	2	56	110	48	62	62	2.8	127	8	M16	155	170
	2½	63	128	62	75	75	4	149	8	M20	175	195
	3	71	147	76	90	90	6	168.5	8	M20	190	210
	4	80	191	95	112	112	11	216	8	M24	220	240
	5	110	239	110	125	132	25	267	8	M27	265	285
	6	125	264	127	150	158	32	292	12	M27	290	310
	8	160	318	165	200	208	52	349	12	M30	345	365
Class 900	1/2	25	62	15	25	25	0.6	82.5	4	M20	125	140
	3/4	31.5	69	19	30	30	0.9	89	4	M20	135	150
	1	35.5	77	24	36	36	1.2	101.5	4	M24	155	170
	1¼	40	87	31	43	43	1.5	111	4	M24	160	175
	1½	45	97	39	52	52	2	124	4	M27	175	190
	2	56	140	48	62	62	5.5	165	8	M24	195	210
	2½	63	162	62	75	75	7.5	190.5	8	M27	215	230
	3	71	165	76	90	90	8	190.5	8	M24	210	225
	4	80	204	95	112	112	14	235	8	M30	245	260
	5	110	245	110	125	132	27	279.5	8	M33	290	310
6	125	286	127	150	158	41	317.5	12	M30	310	325	
8	160	356	165	200	208	76	393.5	12	M36	375	390	

SVI Wafer Type Hub Ended Check Valve

Product Line Technical Data

YOUR ONE-STOP VALVE SOURCING CHANNEL

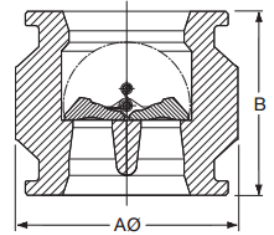
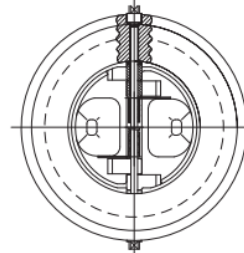
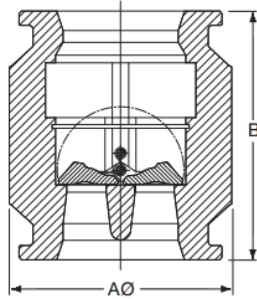
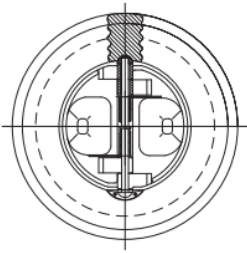
Dual-plate Check Valve With Hub End
Pressure Class: 900 thru 2500
Size: 2" thru 30"

Design and Manufacturing Standards

Valve Design: API594

Face to Face Dimensions: API594

Tested In Accordance with: API 598

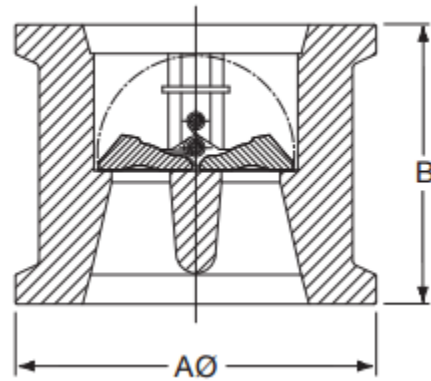
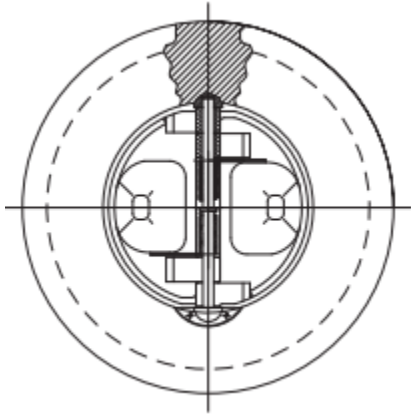


Type BHR Full Bore

Type BH Full Bore

Dimension (Full Bore) of BHR								
Size	900LB		1500LB		2500LB		APPROX WEIGHT(KG)	SEAL RING SIZE
	A	B	A	B	A	B		
4	229	279	229	279	229	279	101	34-40
6	327	358	327	358	327	358	230	46-62
8	409	418	409	418	409	418	408	62-82
10	464	485	464	485	464	485	500	84-97
12	590	602	590	602	590	602	573	102-112
14	590	602	590	602	590	602	800	97-120

Dimension (Full Bore) of BH								
Size	900LB		1500LB		2500LB		APPROX WEIGHT(KG)	SEAL RING SIZE
	A	B	A	B	A	B		
2	117	136	117	136	117	136	14	13-20
3	162	158	162	158	162	158	29	23-27
4	191	220	191	220	191	220	46	31-40
6	274	279	274	279	274	279	135	40-62
8	368	311	368	311	368	311	243	56-82
10	409	381	409	381	409	381	320	72-97
12	482	431	482	431	482	431	440	92-112
14	511	482	511	482	/	/	646	110-120
16	651	628	651	628	/	/	770	112-120
16	552	533	522	533	/	/	770	130-137
18	660	584	660	584	/	/	1245	160



Type BHR Reduced Bore

Dimension (Reduced Bore) of BHR								
Size	900LB		1500LB		2500LB		APPROX WEIGHT(KG)	SEAL RING SIZE
	A	B	A	B	A	B		
3	127	114	127	114	127	114	15	23-27
4	152	127	152	127	152	127	17	31-40
6	235	159	235	159	235	159	54	46-62
8	292	159	292	159	292	159	95	52
8	292	206	292	206	292	206	95	64-82
10	346	248	346	248	346	248	120	67-97
12	406	317	406	317	406	317	321	91-112
14	470	356	470	356	470	356	490	97-120
16	533	406	533	406	/	/	642	114-120
16	533	381	533	381	/	/	642	130-140
18	559	394	559	394	/	/	339	134-144
18	533	314	533	314	/	/	304	S162
20	660	463	660	463	/	/	994	160
20	660	381	660	381	/	/	994	180
24	749	578	749	578	/	/	1750	180
24	749	578	749	578	/	/	1750	220
30	992	584	992	584	/	/	2950	251

Weight figures are for valves only and would vary according to corrosion allowance specification.

Remarks:

1. Type BH is supplied with external threaded retainers, and BHR is retainerless, no external components.
2. Clamps, seal rings and companion hubs are not included with valves.
3. Particular Hub ends, seal ring size and clamp type must be specified by customers. Relevant technical information should be referred to the chosen clamp suppliers, Graylok®, Techlok®, Clamplok® etc.
4. Dimension B are for typical ones only. Due to variety of hub ends sizes and clamp types, the face to face dimensions for a given size and pressure rating might vary to maintain ANSI and API design specifications.
5. For the sizes which are not listed above, available on application with specified end sizes and types.
6. Internal designs suit to the specified hub-ended bore details from customers.

Flanged Tilting Disc Check Valve

Product Line Technical Data

YOUR ONE-STOP VALVE SOURCING CHANNEL

Tilting Disc Check Valve
Pressure Class: 150 thru 2500
Size: 2" thru 30"

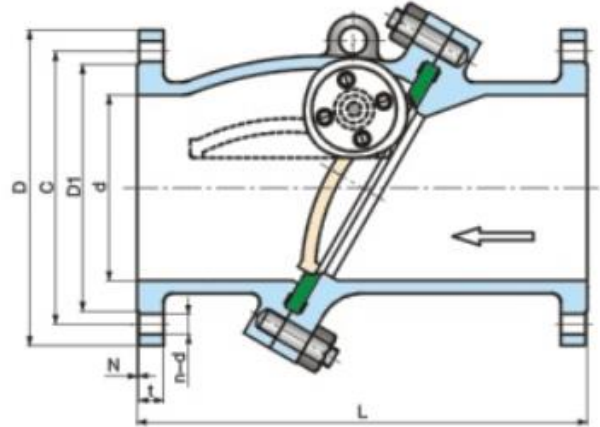
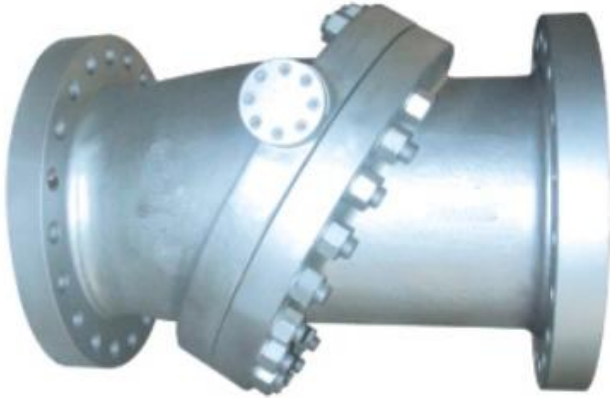
Design and Manufacturing Standards

Valve Design: API 6D

Flange Dimensions: ASME B16.47

Face to Face Dimensions: API 6D

Tested In Accordance with: API 598



Flanged Type Tilting Disc Check Valve

Size	Dimension									
	Class 150					Class 300				
	L			d	Weight(kg)	L			d	Weight(kg)
RF	RTJ	BW	RF			RTJ	BW			
2	203	216	203	51	15	267	283	267	51	20
2½	216	229	216	64	20	292	308	292	64	35
3	241	254	241	76	27	318	333	318	76	40
4	292	305	292	102	45	356	371	356	102	61
5	330	343	330	127	58	400	416	400	127	80
6	356	368	356	152	69	444	460	444	152	130
8	495	508	495	203	131	533	549	533	203	190
10	622	635	622	254	219	622	638	622	254	296
12	698	711	698	305	321	711	727	711	305	450
14	787	800	787	337	380	838	854	838	337	640
16	864	876	864	387	560	864	879	864	387	850
18	978	991	978	438	630	978	994	978	438	1030
20	978	991	978	489	770	1016	1035	1016	483	1330
24	1295	1308	1295	591	960	1346	1368	1346	584	1950
26	1295	/	1295	633	1250	1346	1372	1346	633	2300
28	1448	/	1448	684	1580	1499	1524	1499	684	2600
30	1524	/	1524	735	1950	1594	1619	1594	735	3200

Flanged Tilting Disc Check Valve

Product Line Technical Data

YOUR ONE-STOP VALVE SOURCING CHANNEL

Dimension										
Size	Class 600					Class 900				
	L			d	Weight(kg)	L			d	Weight(kg)
	RF	RTJ	BW			RF	RTJ	BW		
2	292	295	292	51	28	368	371	368	47	48
2½	330	333	330	64	40	419	422	419	57	75
3	356	359	356	76	68	381	384	381	73	95
4	432	435	432	102	117	457	460	457	98	135
5	508	511	508	127	155	559	562	559	121	200
6	559	562	559	152	192	610	613	610	146	264
8	660	664	660	200	340	737	740	737	190	424
10	787	791	787	248	515	838	841	838	234	730
12	838	841	838	298	750	965	968	965	282	1070
14	889	892	889	327	890	1029	1038	1029	311	1180
16	991	994	991	375	1303	1130	1140	1130	354	1790
18	1092	1095	1092	419	1800	1219	1232	1219	400	2500
20	1194	1200	1194	464	2150	1321	1334	1321	444	3080
24	1397	1407	1397	559	3200	1549	1568	1549	533	4600

Dimension										
Size	Class 1500					Class 2500				
	L			D	Weight(kg)	L			d	Weight(kg)
	RF	RTJ	BW			RF	RTJ	BW		
2	368	371	368	47	48	451	454	451	35	68
2½	419	422	419	57	75	508	514	508	47	100
3	470	473	470	70	120	578	584	578	57	165
4	546	549	546	92	180	673	683	673	73	260
5	673	676	673	111	294	794	807	794	92	440
6	705	711	705	136	385	914	927	914	111	580
8	832	841	832	174	634	1022	1038	1022	146	970
10	991	1000	991	222	1140	1270	1292	1270	184	1700
12	1130	1148	1130	263	1650	1422	1445	1422	219	2600
14	1257	1276	1257	289	2000	/	/	/	/	/
16	1384	1407	1384	330	2700	/	/	/	/	/