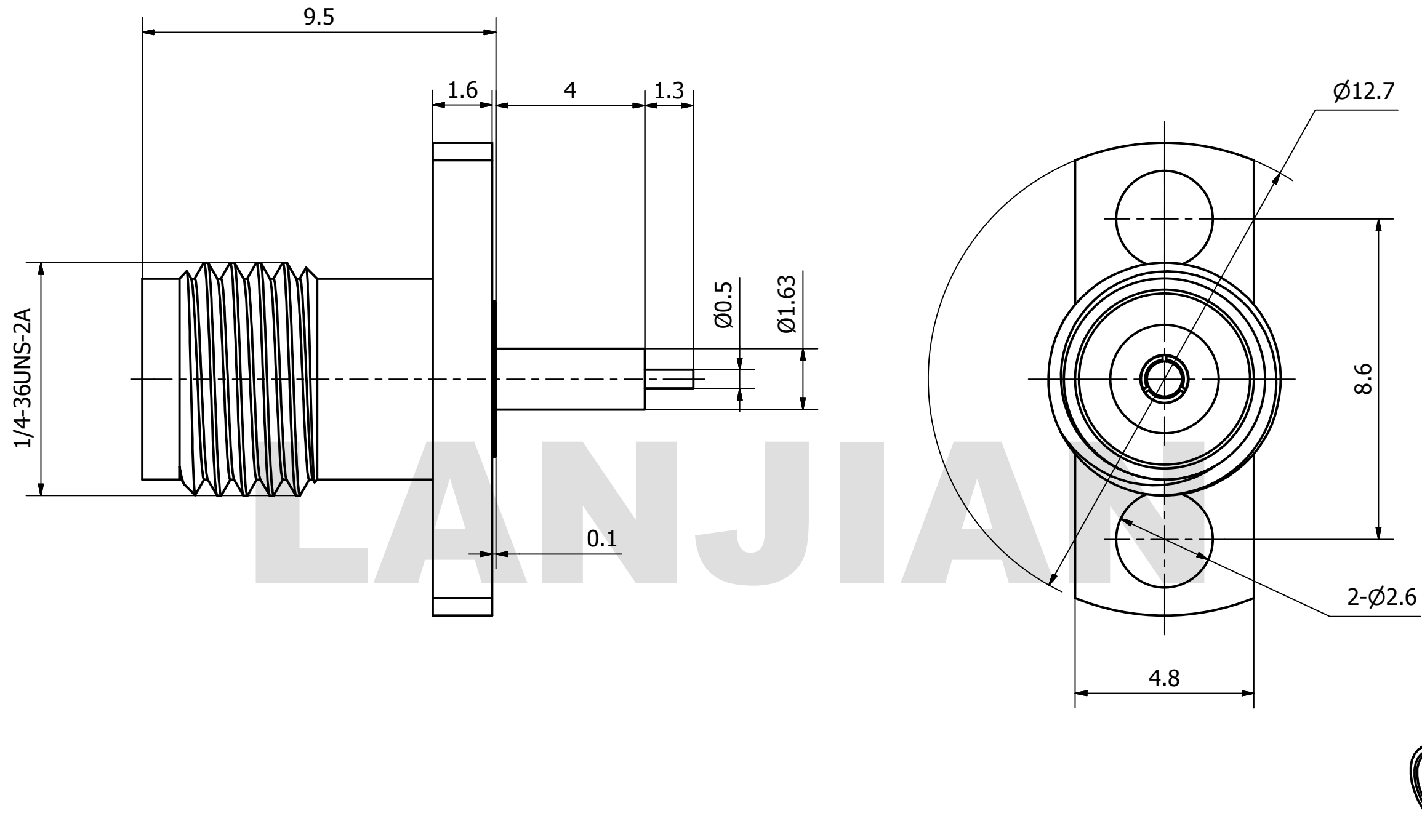


PRODUCT DATA SHEET



MATERIAL:
BODY: STAINLESS STEEL PER AMS-5640,
 ALLOY UNS S30300
CONTACT: BERYLLIUM COPPER PER ASTM B196.
 ALLOY NO. UNS C17300
INSULATOR: PEI & PTFE

PERFORMANCE:
IMPEDANCE: 50 OHMS
FREQUENCY: DC TO 40 GHz
VSWR: ≤ 1.25

THIS DOCUMENT CONTAINS CONFIDENTIAL AND PROPRIETARY INFORMATION THAT CANNOT BE REPRODUCED OR DIVULGED, IN WHOLE OR IN PART, WITHOUT WRITTEN AUTHORIZATION FROM "LANJIAN ELECTRONICS"	MATERIAL :			 38 Hengtong Road, Xinqu Dingmao Zhenjiang, 212009, Jiangsu, P. R. China
	UNLESS OTHERWISE SPECIFIED: DIMENSIONS IN MM			
	TOLERANCES :			
	X.X ± 0.20	ANGULAR : ± 1°	DEBURR AND	
	X.XX ± 0.10	FILLETS R/C : ± 0.10	BREAK SHARP	
	X.XXX ± 0.01	SURFACE FINISH : Ra 1.6	EDGES	
DRAWN	NAME	DATE	SIGNATURE	TITLE 2.92-KFD2-127050P-G straight microstrip connector
CHK'D				
APPV'D				
MFG				
PROJECTION	SIZE	SCALE		DWG No.
	A3	8 : 1		GCPZ3.660.C.039-G
				REV.
DO NOT SCALE THE DRAWING				PAGE 1 / 1