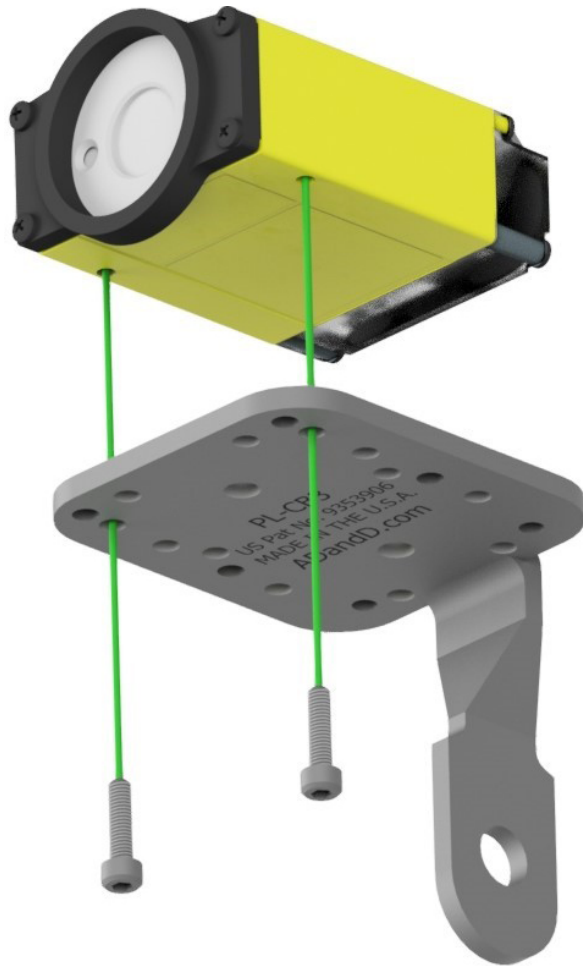


ADandD P/N PL-CB3

Mounting for Cognex Dataman 200 Barcode Reader

Mounts with included (2) S.H.C.S - M3-0.5mm X 6mm 18-8SS



Sample Setup Application

