

VIBRATION MANAGEMENT CORPORATION

5930 THOMAS ROAD, HOUSTON, TEXAS 77041, USA

TEL: +1-713-983-VIMCO
+1-713-983-8462

FAX: +1-713-983-9933

E-MAIL: sales@vimco.biz

WEB: www.vimco.biz

New!

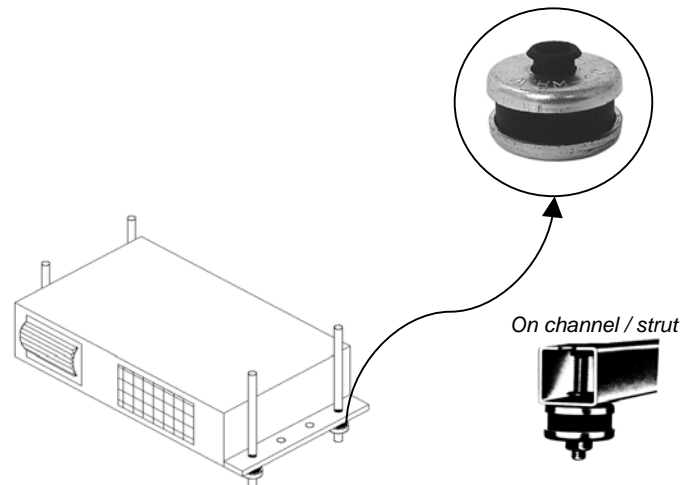
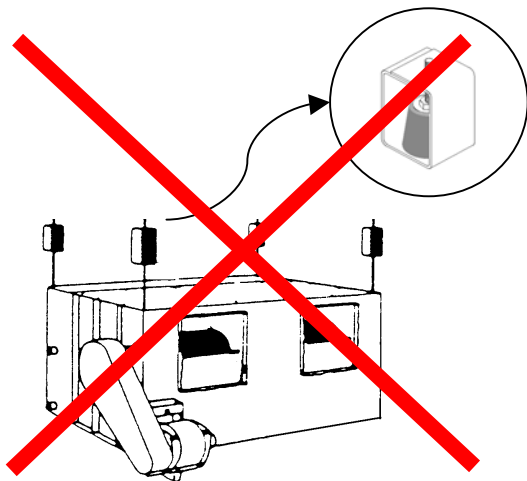
VIMCO™ ANTI VIBRATION HANGER MOUNT (AVHM)



Looking for an easier way to isolate vibration on your suspended equipment?

You will LOVE our AVHM Hanger Mount series

- * Simple single rod (upto 3/8") installation
- * Compact pocket-size design - available in two sizes
- * Max load for AVHM-50 is 110 lbs; AVHM-100 is 220 lbs
- * Set of 4 supports equipment upto 440 lbs and 880 lbs
- * Approx. 1/4th the cost of traditional Rubber-In-Shear Hangers



[Local Representative :](#)

Scan for
Catalog



Due to our policy of continual product development and improvement, all information is subject to change without prior notice. Please consult your local rep. for updates.

[Catalog no.](#)

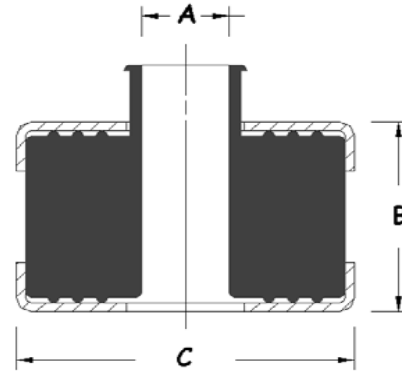
P - 2301
Rev. 2

VIBRATION MANAGEMENT CORPORATION

5930 THOMAS ROAD , HOUSTON , TEXAS 77041 , U.S.A

INTERNET ADDRESS: www.vimco.biz

| ISOLATOR MODEL | MAX. LOAD (lbs) | ISOLATOR DIMENSIONS (inches) | | |
|----------------|-----------------|------------------------------|------|------|
| | | A | B | C |
| AVHM-50 | 110 | 0.43 | 0.73 | 1.28 |
| AVHM-100 | 220 | 0.43 | 1.02 | 1.67 |



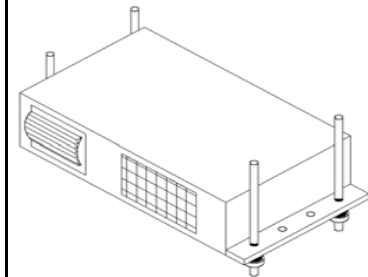
NOTES

1. Nuts, washer & rods by others.
2. Order by part no.:

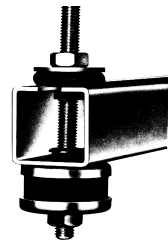
AVHM-xxx = complete mount
AVHME-xxx = element only
AVHMTc-xxx = top cup only
AVHMBc-xxx = bottom cup only

APPLICATIONS:

Direct on unit



On channel / strut



| | |
|------------------------|--|
| CONSTRUCTION: | Elastomer (neoprene+rubber) element between 2 load distribution plates. |
| SPECIAL FEATURE: | Elastomer (neoprene+rubber) collar to prevent rod short circuiting. |
| SOUND LEVEL REDUCTION: | Up to 17 dB (A) |
| RECOMMENDED USE: | Can be used with threaded rods up to 3/8" (M10) for suspension of pipes, fans, fan coil units etc. AVHME-xxx (element only) can be used for small floor mounted machines like refrigerator, dishwasher etc. |

Notes / Remarks :

| | |
|------------------|--|
| Project : | |
| Client : | |
| Consultant : | |
| Representative : | |

Title : **AVHM**
 Anti-Vibration Hanger Mounts

Drawing no. **S-2300.11**

Rev. 2