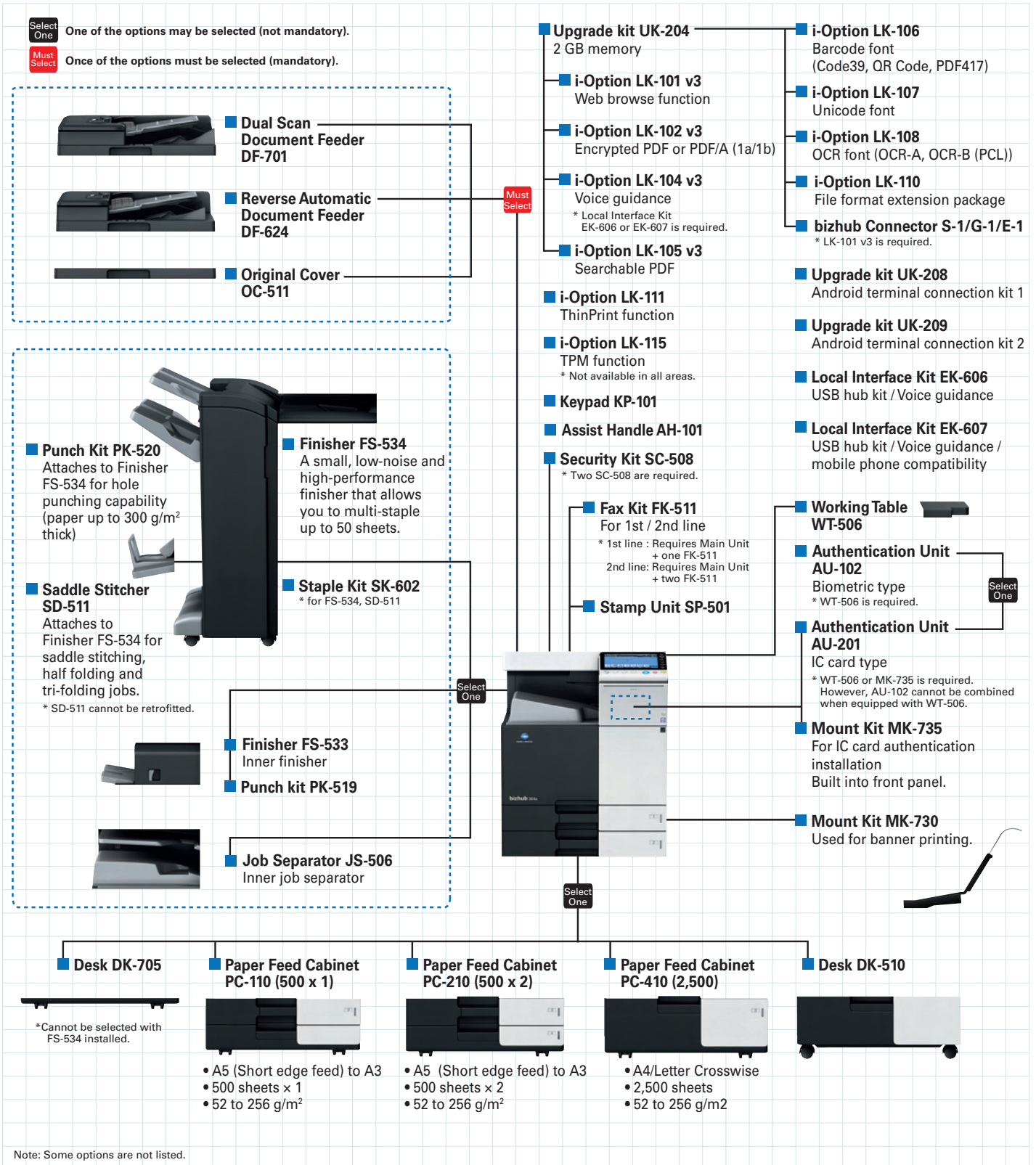




KONICA MINOLTA

bizhub 364e / 284e / 224e Spec Sheet

System



Note: Some options are not listed.

Specifications

bizhub 364e/284e/224e General Specifications

		bizhub 364e	bizhub 284e	bizhub 224e
Type		Desktop Printer / Copier / Scanner		
Copy Resolution	Scan	Main: 600 dpi × Sub: 600 dpi		
	Print	1,800 dpi (equivalent) × 600 dpi		
Gradation		256		
Memory Capacity (Std./Max.)		2 GB/4 GB		
HDD		250 GB		
Original Type		Sheets, Books, Objects		
Max. Original Size		A3 (11" × 17")		
Output Size		SRA3 to A5, B6S*, A6S*, Thick paper, Foolscap** (8-1/2" × 13-1/2", 200 mm × 330 mm, 8-1/8" × 13-1/4", 8-1/2" × 13", 8-1/4" × 13", 8" × 13"), 8K, 16K, Long Length Paper (210 × 457.3 mm to 297 × 1,200 mm)		
Image Loss		Max. 4.2mm or less for top edge (5 mm for thin paper), Max. 3.0mm or less for bottom edge, Max. 3.0mm or less for right/left edges *A loss of 4.2 mm each during printing.		
Warm-Up Time*3 (23°C, std. voltage)		20 sec. or less	20 sec. or less	20 sec. or less
	*The time required to start printing when both the main power and sub-power switches are turned from OFF to ON.			
First Copy Out Time**4		20 sec. or less	18 sec. or less	18 sec. or less
	*The time required to start printing when the main power switch is ON and the sub-power switch is turned from OFF to ON.			
First Copy Out Time**4		5.3 sec. or less	5.9 sec. or less	6.9 sec. or less
Copy Speed (A4 Crosswise)		36 ppm	28 ppm	22 ppm
Copy Magnification	Fixed Same Magnification	1: 1±0.5% or less		
	Scaling Up	1: 1.154/1.224/1.414/2.000		
	Scaling Down	1: 0.866/0.816/0.707/0.500		
	Preset	3 types		
	Zoom	25 to 400% (in 0.1% increments)		
	Lengthwise Crosswise Individual Settings	25 to 400% (in 0.1% increments)		
Paper Capacity (80 g/m ²)	Tray 1	500 sheets (up to A3)		
	Tray 2	500 sheets (up to SRA3)		
	Multiple Bypass Tray	150 sheets (up to SRA3)		
Max. Paper Capacity (80 g/m ²)**5		3,650 sheets		
Paper Weight	Tray 1 / 2	52 to 256 g/m ²		
	Multiple Bypass Tray	60 to 300 g/m ²		
Multiple Copy		1 to 9,999 sheets		
Auto Duplex	Paper Size	Width: 100 to 320 mm, Length: 148 to 457.2 mm		
	Paper Weight	52 to 256 g/m ²		
Power Requirements		AC220 to 240 V 8 A (50 to 60 Hz)		
Max. Power Consumption		1.58 kW or less		
Dimensions [W] × [D] × [H]		615 × 685 × 779 mm (24-1/4" × 27-1/2" × 30-3/4")		
Weight		Approx. 76.5 kg (168-3/4 lb)		
Space Requirements [W] × [D]**6		937 × 1,214 mm (37" × 47-3/4")		

*1 S: Short edge feed

*2 Set by Customer engineer

*3 May vary depending on the operating environment and usage.

*4 A4 crosswise full size/using the first tray/scanning from the original glass surface.

*5 With options installed.

*6 Without options, with paper trays pulled out, and multiple bypass tray, auxiliary tray and ADF opened.

Scanning Specifications

Type	Full-Colour Scanner		
Interface	Ethernet (10BASE-T/100BASE-TX/1000BASE-T)		
Driver	TWAIN Driver, HDD TWAIN Driver		
Protocol	TCP/IP (FTP, SMB, SMTP, WebDAV) (IPv4/IPv6)		
Scanning Speed (Colour/B&W)	Simplex	80 opm	
	Duplex (DF-701)	160 opm	
Scanning Size		Max. A3 (11" × 17")	
Output Format		TIFF, JPEG, PDF, Compact PDF, XPS, Compact XPS, OOXML (pptx, xls*, docx*), Searchable PDF*, PDF/A*, Linearised PDF* *Optional	
Scanning Resolution	Push	200 dpi / 300 dpi / 400 dpi / 600 dpi	
	Pull	100 dpi / 200 dpi / 300 dpi / 400 dpi / 600 dpi	
Main Functions	Scan to E-Mail, Scan to FTP, Scan to BOX (HDD), Scan to PC (SMB), Network TWAIN, Scan to WebDAV, Scan to Me, Scan to Home, Scan to USB, Scan to Scan Server, Scan to Web Service (WSD-Scan), Device Profile for Web Services (DPWS)		
Other Functions	Multi-Method Send, Authentication at the time of E-Mail send (SMTP authentication, POP before SMTP), S/MIME, Annotation		

Internet Fax

Protocol	SMTP, POP
Connection Mode	Full-Mode
Sending Paper Size	A3, B4, A4
Recording Paper Size	Max. A3
Resolution	200 × 100 dpi, 200 × 200 dpi, 400 × 400 dpi, 600 × 600 dpi
Interface	Ethernet (10BASE-T/100BASE-TX/1000BASE-T)
Colour	Support Colour Internet Fax
Format	Send: TIFF-F, Receive: TIFF-F Colour/Grey Scale: TIFF (RFC3949 Profile-C)

Fax Kit FK-511 (Optional)

Communication	Super G3
Compatible Lines	Public Switch Telephone Network, Private Branch Exchange, Fax Communication Line
Line Density	G3 (8 dot/mm × 3.85 line/mm, 600 × 600 dpi)
Modem Speed	2.4 to 33.6 kbps
Compression	MH/MR/MMR/JBIG
Sending Paper Size	Max. A3 (Long Length Support: Max. 1,000 mm)
Recording Paper Size	Max. A3 (Long Length Max. 1,000 mm — following the page division —)
Transmission Speed	Less than 3 sec. (A4, V34, 33.6 kbps, JBIG)
Memory	Shared with the copier
Number of Abbr. Dials	2,000
Number of Program Dials	400
Number of Group Dials	100
Sequential Multiple Station Transmission	Max. 600

IP Address Fax *Optional Fax Kit FK-511 is required.

Protocol/Transmission	SMTP
Sending Paper Size	A3, B4, A4
Resolution	200 × 200 dpi, 400 × 400 dpi, 600 × 600 dpi
Format	Send: TIFF-F, Receive: TIFF-F Colour/Grey Scale: TIFF (RFC3949 Profile-C)

Printer Specifications

Type	Embedded	
CPU	SOC 800 MHz (DualCore)	
Memory	Shared with the copier	
Print Speed	Same as Copy Speed (when using the same original)	
HDD	250 GB (Shared with the copier)	
Print Resolution	1,800 dpi (equivalent) × 600 dpi (at smoothing) or 1,200 dpi × 1,200 dpi (in 1,200 dpi mode)	
PDL	PCL 6e/c Emulation, PCL 6 Emulation, PostScript 3 (3016) Emulation, XPS (Ver.1.0)	
Protocol	TCP/IP, IPX/SPX (NDS support), SMB (NetBEUI), LPD, IPP1.1, SNMP, HTTP	
Support OS	Windows Vista / Vista 64bit / 7 / 7 64bit / 8 / 8 64bit / 8.1 / 8.1 64bit / Windows Server 2003 / Server 2003 64bit / Server 2003 R2 / Server 2003 R2 64bit / Server 2008 / Server 2008 64bit / Server 2008 R2 / Server 2012 / Server 2012 R2 / Mac OS 9.2 / X 10.2 / X 10.3 / X 10.4 / X 10.5 / X 10.6 / X 10.7 / X 10.8 / X 10.9 / Linux	
Fonts	PCL	80 Roman fonts
	PS	137 Roman Type1 fonts
Interface	Ethernet (10BASE-T/100BASE-TX/1000BASE-T), USB 1.1, USB 2.0, USB Host	

Dual Scan Document Feeder DF-701 (Optional)

Type	Single pass simultaneous duplex system		
Support Paper Size	A3 to A6S*, 11" × 17" to 5-1/2" × 8-1/2", Foolscap** (8-1/2" × 13-1/2", 200 mm × 330 mm, 8-1/8" × 13-1/4", 8-1/2" × 13", 8-1/4" × 13", or 8" × 13", 16K		
Mixed Size	Support		
Original Set	Centre guide		
Resolution	600 dpi support		
Support Paper Weight	Simplex: 35 to 163 g/m ² , Duplex: 50 to 163 g/m ²		
	Mixed Original: 50 to 128 g/m ² FAX Mode: 35 to 163 g/m ² (Simplex), 50 to 163 g/m ² (Duplex)		
Paper Capacity	Max. 100 sheets (80 g/m ²)		
	Productivity (A4 Crosswise)	Simplex	Copy (Colour/B&W): 55 opm (600 dpi) Scan (Colour/B&W): 80 opm (300 dpi)
	Duplex	Copy (Colour/B&W): 110 opm (600 dpi) Scan (Colour/B&W): 160 opm (300 dpi)	
Power Requirements	Supplied from the MFP main body		
Max. Power Consumption	74.5 W or less		
Dimensions [W] × [D] × [H]	611.2 × 503.6 × 130 mm (24" × 19-3/4" × 5")		
Weight	Approx. 12 kg (26-1/2 lb)		

*1 S: Short edge feed


*2 Set by Customer engineer



Specifications

Reverse Automatic Document Feeder DF-624 (Optional)


Type	Circulatory duplex system	
Support Paper Size	A3 to A6S ⁺ , 11" x 17" to 5-1/2" x 8-1/2", Foolscap ⁺ (8-1/2" x 13-1/2", 200 mm x 330 mm, 8-1/8" x 13-1/4", 8-1/2" x 13", 8-1/4" x 13", or 8" x 13"), 8K, 16K	
Mixed Size	Support	
Original Set	Centre guide	
Resolution	600 dpi support	
Support Paper Weight	Simplex: 35 to 128 g/m ² Duplex/Mixed Original: 50 to 128 g/m ² FAX Mode: 35 to 128 g/m ² (Simplex), 50 to 128 g/m ² (Duplex)	
Paper Capacity	Max. 100 sheets (80 g/m ²)	
Productivity (A4 Crosswise)	Simplex	Copy (Colour/B&W): 55 opm (600 dpi) Scan (Colour/B&W): 80 opm (300 dpi)
	Duplex	Copy (Colour/B&W): 26 opm (600 dpi) Scan (Colour/B&W): 37 opm (300 dpi)
Power Requirements	Supplied from the MFP main body	
Max. Power Consumption	60 W or less	
Dimensions [W] x [D] x [H]	611.2 x 503.6 x 130 mm (24" x 19-3/4" x 5")	
Weight	Approx. 9 kg (19-3/4 lb)	

- *1 S: Short edge feed 
*2 Set by Customer engineer



Saddle Stitcher SD-511 (Optional)


Applicable	Finisher FS-534
Support Paper Type	Centre Staple: 52 to 90 g/m ² Half-Fold: 52 to 209 g/m ² (more than 91 g/m ² Thick paper can be used only as a cover page) Tri-Fold: 52 to 90 g/m ²
Support Paper Size	Centre Staple and Fold, Half-Fold: A3 Wide, A3, B4, A4S ⁺ , 12-1/4" x 18", 11" x 17", 8-1/2" x 14", 8-1/2" x 11", 8K Tri-Fold: A4S ⁺ , 8-1/2" x 11"S ⁺ , 16KS ⁺
Maximum Number of Sheets that can be Centrestapled	20 (52 to 90 g/m ²) sheets, or 19 (90 g/m ²) sheets + Thick (209 g/m ²) 1 sheet
Maximum Number of Folded Sheets	Half-Fold: 5 sheets or Thick (91 to 209 g/m ²) 1 sheet, Tri-Fold: 3 sheets
Stacking Capacity	1 to 3 sheets: 20 sets, 4 to 10 sheets: 10 sets 11 to 20 sheets: 5 sets Tri-Fold (1 sheet): 30 sets, Tri-Fold (2-3 sheets): 10 sets
Power Requirements	Supplied from Finisher FS-534
Dimensions [W] x [D] x [H]	210 x 556 x 547 mm (8-1/2" x 21-3/4" x 21-1/2")
Weight	Approx. 24 kg (53 lb)

- *1 S: Short edge feed 



Finisher FS-533 (Optional)

Type	Finisher
Support Paper Type	Thin paper/Plain paper (52 to 90 g/m ²), Thick paper (91 to 300 g/m ²), Transparency, Envelope, Label sheet, Letterhead paper, Long length paper, Tab paper
Support Paper Size	SRA3 to A5, B6S ⁺ , A6S ⁺ , Thick paper, Foolscap ⁺ (8-1/2" x 13-1/2", 200 mm x 330 mm, 8-1/8" x 13-1/4", 8-1/2" x 13", 8-1/4" x 13", 8" x 13"), 8K, 16K, Long Length Paper (210 x 457.3 mm to 297 x 1,200 mm)
Mode	Sort, Group, Offset Sort, Offset Group, Staple
Stacking Capacity	500 sheets (52 to 90 g/m ² , A4S ⁺ or smaller) 250 sheets (52 to 90 g/m ² , B4 or larger) 10 sheets (91 to 300 g/m ² , special paper)
Staple Capacity	50 sheets (52 to 90 g/m ² , A4S ⁺ or smaller) 30 sheets (52 to 90 g/m ² , B4 or larger) 2 sheets (91 to 209 g/m ² , as cover pages)
Power Requirements	Supplied from the MFP main body
Max. Power Consumption	40 W or less
Dimensions [W] x [D] x [H]	472.5 x 583.5 x 194.7 mm (18-1/2" x 23" x 7-3/4")
Weight	Approx. 12 kg (26-1/2 lb)

- *1 S: Short edge feed 
*2 Set by Customer engineer



Punch Kit PK-520 (Optional)

Applicable	Finisher FS-534
Number of holes	2 holes or 4 holes
Support Paper Type (Weight)	Thin paper/Plain paper (52 to 90 g/m ²), Thick paper (91 to 300 g/m ²)
Support Paper Size	A3, B4, A4, B5, Foolscap ⁺ (8-1/2" x 13-1/2", 200 mm x 330 mm, 8-1/8" x 13-1/4", 8-1/2" x 13", 8-1/4" x 13", 8" x 13"), 8K, 16K
Power Requirements	Supplied from Finisher FS-534
Dimensions [W] x [D] x [H]	61 x 492 x 142 mm (2-1/2" x 19-1/2" x 5-1/2")
Weight	Approx. 1.8 kg (4 lb)

- *1 Set by Customer engineer



Paper Feed Cabinet PC-110 (Optional)


Support Paper Type (Weight)	Thin paper/Plain paper (52 to 90 g/m ²) Thick paper (91 to 256 g/m ²)
Support Paper Size	A3 to A5S ⁺ , 11" x 17" to 8-1/2" x 11", Foolscap ⁺ (8-1/2" x 13-1/2", 8-1/2" x 13", 8-1/4" x 13", 8" x 13"), 8K, 16K Crosswise
Paper Capacity	Top tray (Tray 3) Plain paper: 500 sheets, Thick paper: 150 sheets
Power Requirements	Supplied from the MFP main body
Dimensions [W] x [D] x [H]	615 x 652 x 246 mm (24-1/4" x 25-3/4" x 9-3/4")
Unit Configuration	Paper tray, 1 level
Weight	Approx. 22 kg (48-1/2 lb)

- *1 S: Short edge feed 
*2 Set by Customer engineer



Job Separator JS-506 (Optional)


Support Paper Type (Weight)	Tray 1	Thin paper/Plain paper (52 to 90 g/m ²), Thick paper (91 to 300 g/m ²), Transparency, Envelope, Label sheet
	Tray 2	Thin paper/Plain paper (52 to 90 g/m ²), Thick paper (91 to 300 g/m ²), Transparency, Envelope, Label sheet, Long length paper
Support Paper Size	SRA3 to A5, B6S ⁺ , A6S ⁺ , Thick paper, Foolscap ⁺ (8-1/2" x 13-1/2", 200 mm x 330 mm, 8-1/8" x 13-1/4", 8-1/2" x 13", 8-1/4" x 13", 8" x 13"), 8K, 16K, Long Length Paper (210 x 457.3 mm to 297 x 1,200 mm)	
Stacking Capacity	Tray 1	100 sheets (52 to 90 g/m ²)
	Tray 2	150 sheets (52 to 90 g/m ²)
Power Requirements	Supplied from MFP main body	
Max. Power Consumption	24 W or less	
Dimensions [W] x [D] x [H]	491.9 x 469.5 x 226.5 mm (19-1/2" x 18-1/2" x 9")	
Weight	Approx. 1.5 kg (3-1/4 lb)	

- *1 S: Short edge feed 
*2 Set by Customer engineer



Paper Feed Cabinet PC-210 (Optional)

Support Paper Type (Weight)	Thin paper/Plain paper (52 to 90 g/m ²) Thick paper (91 to 256 g/m ²)
Support Paper Size	A3 to A5S ⁺ , 11" x 17" to 8-1/2" x 11", Foolscap ⁺ (8-1/2" x 13-1/2", 8-1/2" x 13", 8-1/4" x 13", 8" x 13"), 8K, 16K Crosswise
Paper Capacity	Top tray (Tray 3) Plain paper: 500 sheets, Thick paper: 150 sheets
	Bottom tray (Tray 4) Plain paper: 500 sheets, Thick paper: 150 sheets
Power Requirements	Supplied from the MFP main body
Dimensions [W] x [D] x [H]	615 x 652 x 246 mm (24-1/4" x 25-3/4" x 9-3/4")
Unit Configuration	Paper tray, 2 level
Weight	Approx. 24 kg (53 lb)

- *1 S: Short edge feed 
*2 Set by Customer engineer



Punch Kit PK-519 (Optional)


Applicable	Finisher FS-533
Number of holes	2 holes or 4 holes
Support Paper Type (Weight)	Thin paper/Plain paper (52 to 90 g/m ²), Thick paper (91 to 157 g/m ²)
Support Paper Size	A3, B4, A4, B5, Foolscap ⁺ (8-1/2" x 13-1/2", 200 mm x 330 mm, 8-1/8" x 13-1/4", 8-1/2" x 13", 8-1/4" x 13", 8" x 13"), 8K, 16K
Power Requirements	Supplied from Finisher FS-533
Dimensions [W] x [D] x [H]	110.2 x 483.5 x 203.2 mm (4-1/2" x 19" x 8")
Weight	Approx. 3.2 kg (7 lb)

- *1 Set by Customer engineer



Finisher FS-534 (Optional)

Type	Finisher	
Support Paper Type	Thin paper/Plain paper (52 to 90 g/m ²), Thick paper (91 to 300 g/m ²), Transparency, Envelope, Label sheet, Letterhead paper, Long length paper, Tab paper	
Support Paper Size	SRA3 to A5, B6S ⁺ , A6S ⁺ , Thick paper, Foolscap ⁺ (8-1/2" x 13-1/2", 200 mm x 330 mm, 8-1/8" x 13-1/4", 8-1/2" x 13", 8-1/4" x 13", 8" x 13"), 8K, 16K, Long Length Paper (210 x 457.3 mm to 297 x 1,200 mm)	
Mode	Sort, Group, Offset Sort, Offset Group, Staple	
Stacking Capacity	Output tray 1 (Sub tray)	200 sheets (52 to 90 g/m ²) 20 sheets (91 to 300 g/m ² , special paper)
	Output tray 2 (Main tray)	3,000 sheets (52 to 90 g/m ² , A4S ⁺ or smaller, B5 or larger) *2,000 sheets when SD-511 is installed 1,500 sheets (52 to 90 g/m ² , B4 or larger) 500 sheets (52 to 90 g/m ² , A5 or smaller) 20 sheets (91 to 300 g/m ² , special paper)
	Output tray 3 (Relay Unit top surface)	100 sheets (52 to 90 g/m ²) 20 sheets (91 to 300 g/m ² , special paper)
Staple Capacity	50 sheets (Plain Paper 52 to 90 g/m ²) 48 sheets (Plain paper 52 to 90 g/m ²) + 2 sheets (Thick paper 91 to 209 g/m ²) 30 sheets (Thick paper 91 to 120 g/m ²) 15 sheets (Thick paper 121 to 209 g/m ²)	
Power Requirements	Supplied from the MFP main body	
Max. Power Consumption	56 W or less	
Dimensions [W] x [D] x [H]	528 x 641 x 1,023 mm (20-3/4" x 25-1/4" x 40-1/4")	
Weight	Approx. 40 kg (88-1/4 lb)	

- *1 S: Short edge feed 
*2 Set by Customer engineer



Paper Feed Cabinet PC-410 (Optional)

Support Paper Type (Weight)	Thin paper/Plain paper (52 to 90 g/m ²) Thick paper (91 to 256 g/m ²)
Support Paper Size	A4 Crosswise (8-1/2" x 11" Crosswise)
Paper Capacity	Plain paper: 2,500 sheets, Thick paper: 1,000 sheets
Power Requirements	Supplied from the MFP main body
Dimensions [W] x [D] x [H]	615 x 652 x 246 mm (24-1/4" x 25-3/4" x 9-3/4")
Unit Configuration	Paper tray, 2 level
Weight	Approx. 23 kg (50-3/4 lb)

- *1 Set by Customer engineer



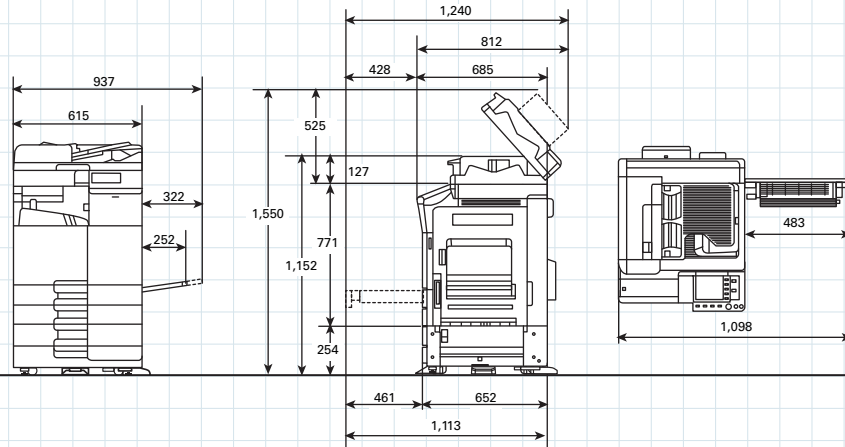
Authentication Unit (IC Card type) AU-201 (Optional)

Applicable Card	ISO 14443 TypeA, Felica-based noncontact IC card
Interface	USB 2.0
Power Supply	Power received from USB port
Dimensions [W] x [D] x [H]	92 x 64 x 16 mm (3-3/4" x 2-1/2" x 3/4")
Weight	Approx. 120 g (264-1/2 lb)

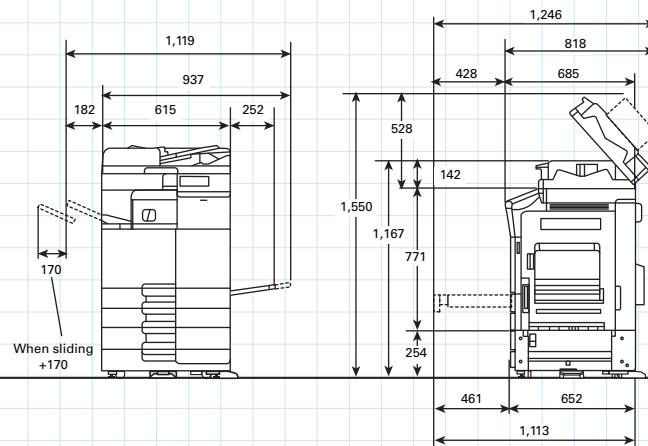
Authentication Unit (Biometric type) AU-102 (Optional)

Biometric Sensor System	Transmission-type optical system
Interface	USB 2.0
Verification Time	Approx. 1 sec. or less
Max. Power Consumption	DC 5 V 500 mA
Dimensions [W] x [D] x [H]	59 x 82 x 74 mm (2-1/4" x 3-1/4" x 3")
Weight	Approx. 96 g (211-3/4 lb) (excluding USB cable)

■ bizhub 364e (284e/224e) + DF-624 + PC-210 (PC-110/PC-410/DK-510) + OT-506



■ bizhub 364e/284e/224e + DF-701 + PC-210 (PC-110/PC-410/DK-510) + FS-533



■ bizhub 364e/284e/224e + DF-624 + PC-210 (PC-110/PC-410/DK-510) + MK-730 + FS-534

