

Mega Top Prep Table Units



Model	Size
STX-29-MT	29" Unit
STX-36-MT	36" Unit
STX-48-MT	48" Unit
STX-61-MT	61" Unit
STX-72-MT	72" Unit

STANDARD FEATURES

- Stainless steel interior and exterior, aluminum back. Option of bright white aluminum interior available.
- Refrigeration system keeps food at safe temperatures between 33°F and 41°F
- Self-Closing doors with 90 degree stay-open feature.
- Cutting boards and pans available.
- Shelves: Adjustable heavy-duty PVC coated shelves.
- Option of different handles available.
- Electronic control system makes it easy to adjust temperature set point and defrost frequency
- Pre-installed heavy-duty casters with brakes
- Removable installation board makes it easy to access condenser coil for cleaning and service
- These units use HYDRO-CARBON R290 refrigerant which is environmentally friendly and more efficient than R134a/R404a refrigerant

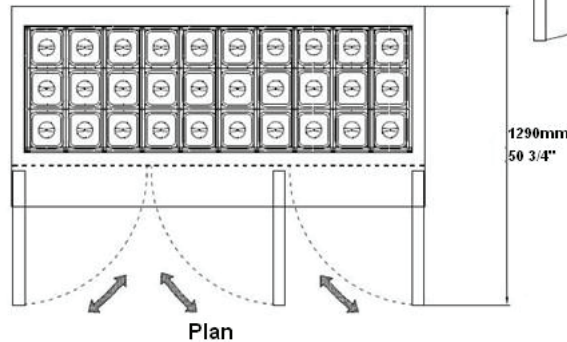
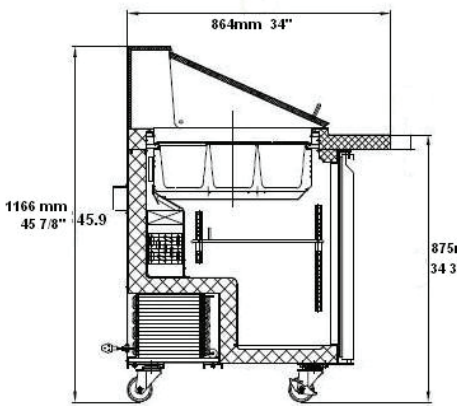
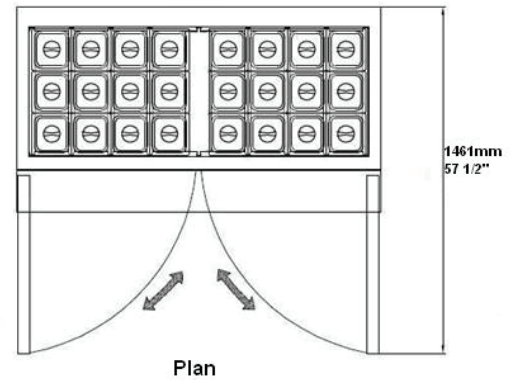
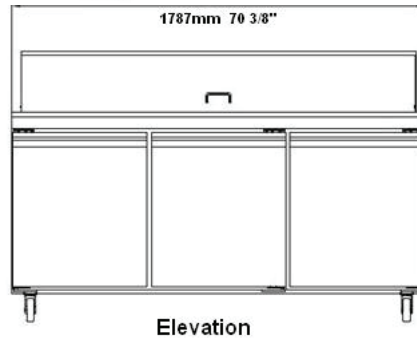
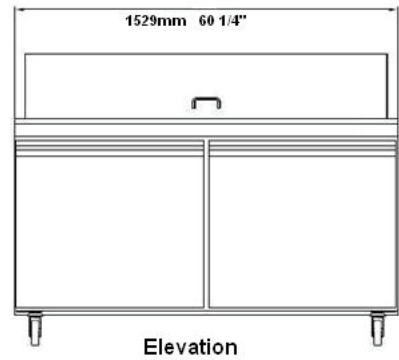
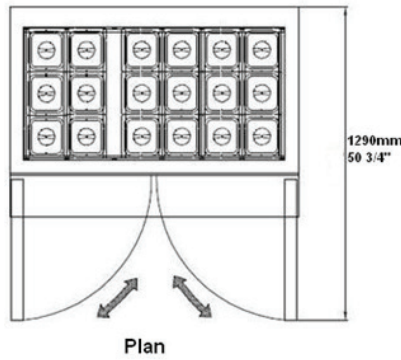
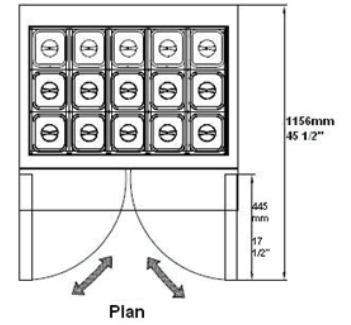
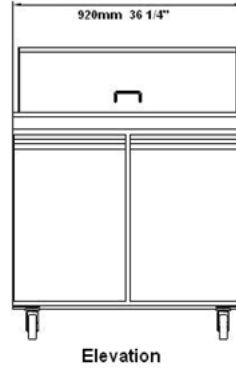
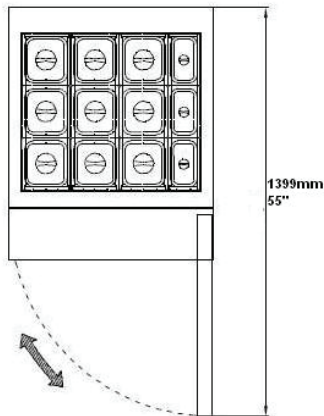
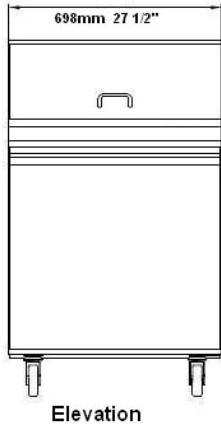
REFRIGERATION

Items	Description	Items	Description
Front, top & sides	Stainless steel	Temperature control	Solid state thermostat/Digital display
Doors	Stainless steel	Approvals	UL-EPH
External back	Aluminum	Refrigerating system	Capillary tube
Cabinet interior	ABS	Refrigerant	HYDRO-CARBON R290
Interior floor	Stainless steel	Temperature range	33°F to 41°F
Insulation	Polyurethane (CFC free)	Evaporator	Powder coated aluminum/copper
Shelves	Heavy duty, PVC coating	Condensing unit	Bottom mounted





DETAILS AND DIMENSIONS



*Voltage 230-240/50/1 available

Model	Doors	Capacity (cu.ft)	Shelves	Pans	Cabinet Dim (inches)			HP	Voltage	Amps	NEMA Plug	Cord Length	Crated Weight
					L	D	H						
STX-29-MT	1	7	1	12 (1/6)	27.5	29.5	42.375	1/5	115/60/1	2.88	5-15P	10	264
STX-36-MT	2	7.6	2	15 (1/6)	36.25	29.5	42.375	1/5	115/60/1	3.24	5-15P	10	352
STX-48-MT	3	12	2	18 (1/6)	46.875	29.5	42.375	1/4+	115/60/1	4.56	5-15P	10	407
STX-61-MT	3	15.5	2	24 (1/6)	60.2	29.5	42.375	1/4+	115/60/1	4.8	5-15P	10	462
STX-70-MT	3	18	6	27 (1/6)	70.4	29.5	42.375	3/4	115/60/1	8.9	5-15P	10	528