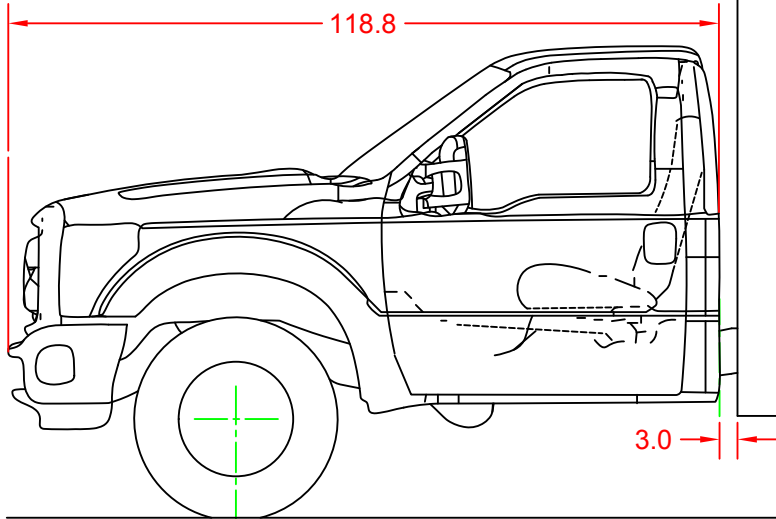
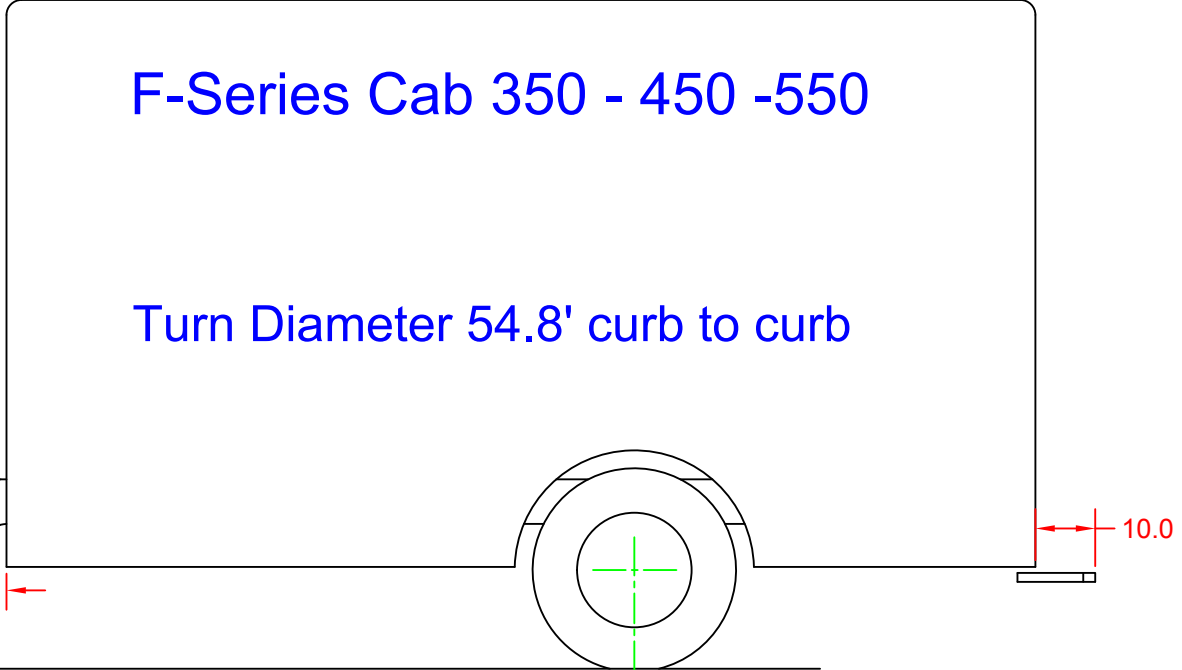


92.5" E-450 Cab



F-Series Cab 350 - 450 -550

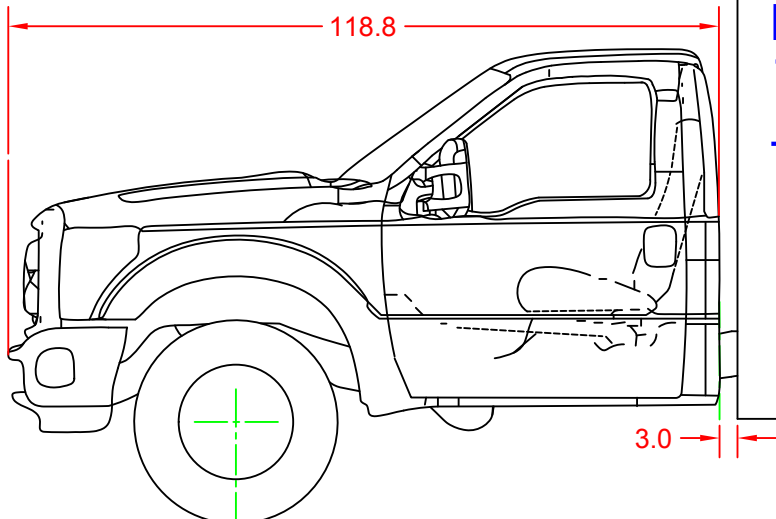
Turn Diameter 54.8' curb to curb



Front Axle

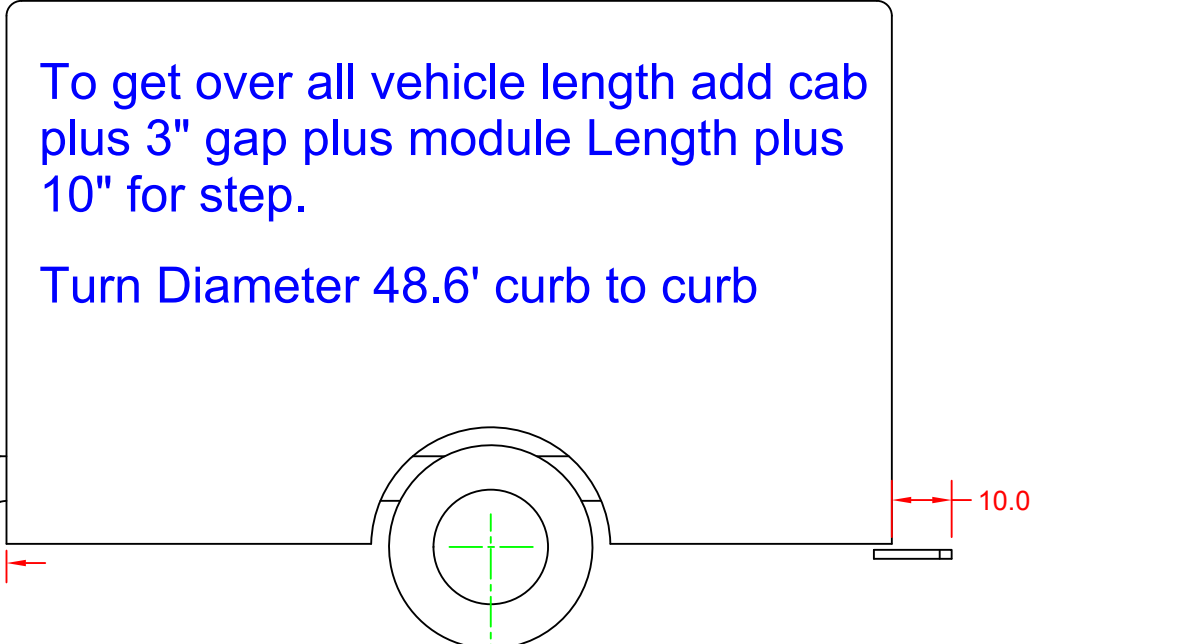
Wheel Base

Overall height with 72" HR
115"



To get over all vehicle length add cab
plus 3" gap plus module Length plus
10" for step.

Turn Diameter 48.6' curb to curb

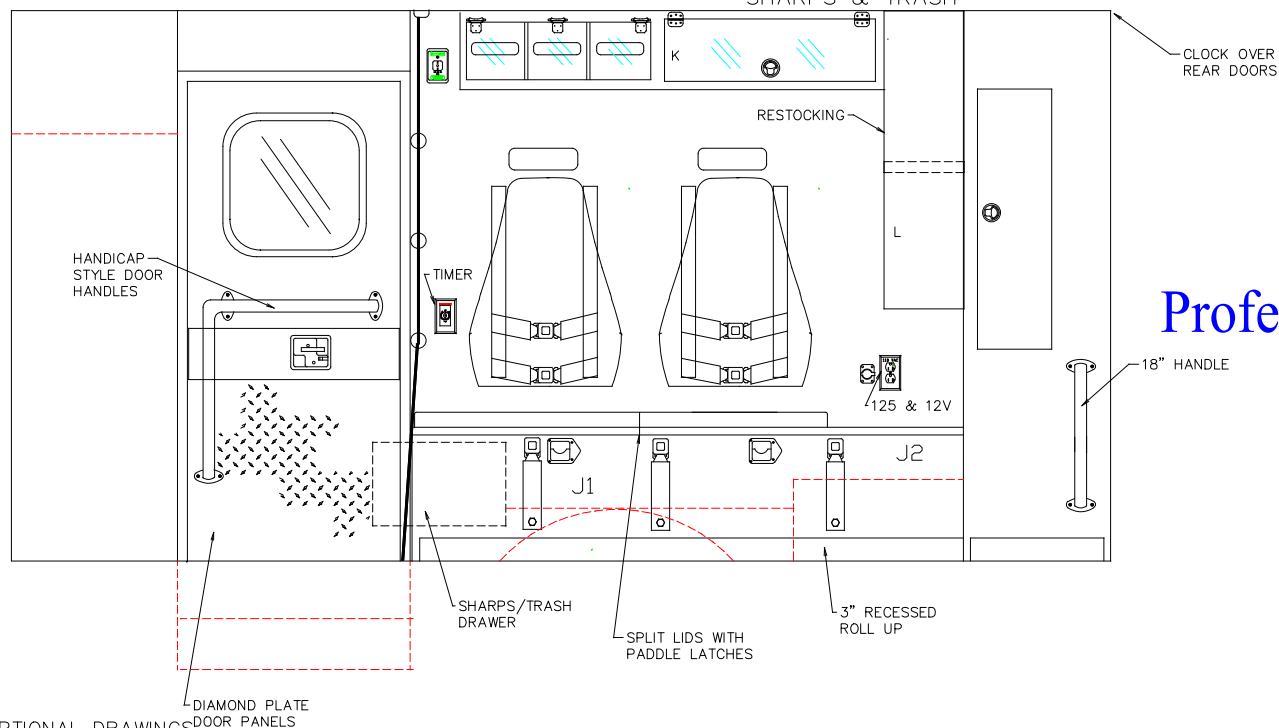
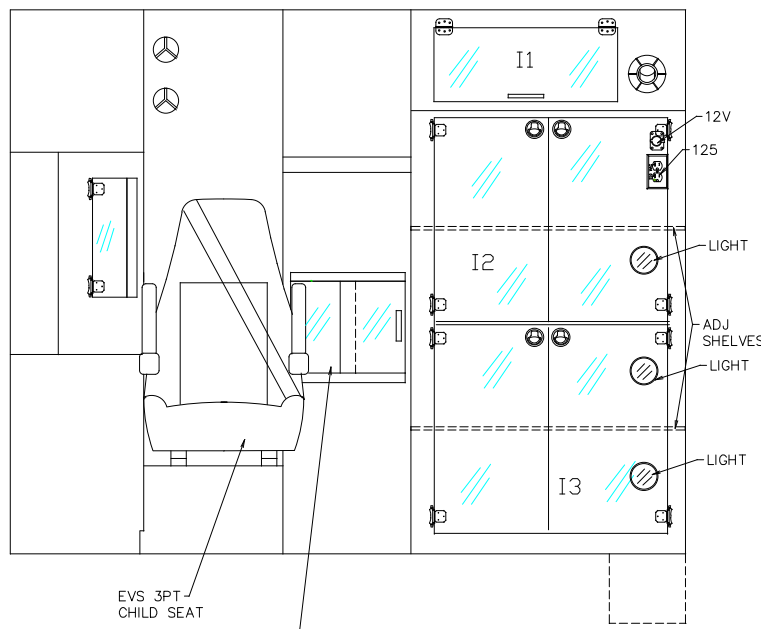
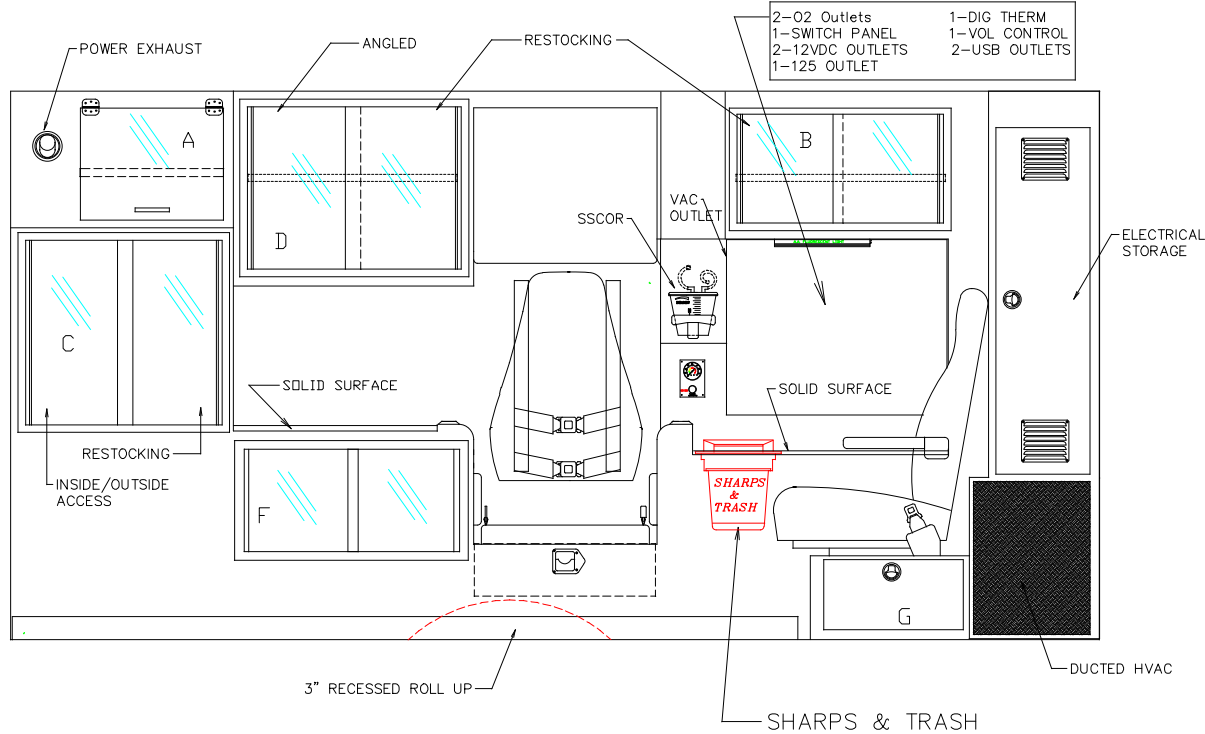


Front Axle

Wheel Base


CONCEPTIONAL DRAWINGS ONLY: DRAWINGS ARE NOT TO SCALE, ALL MEASURES ARE APPROXIMATE & SUBJECT TO ENGINEERING CHANGE

- 2-O2 Outlets
- 1-SWITCH PANEL
- 2-12VDC OUTLETS
- 1-125 OUTLET
- 1-DIG THERM
- 1-VOL CONTROL
- 2-USB OUTLETS

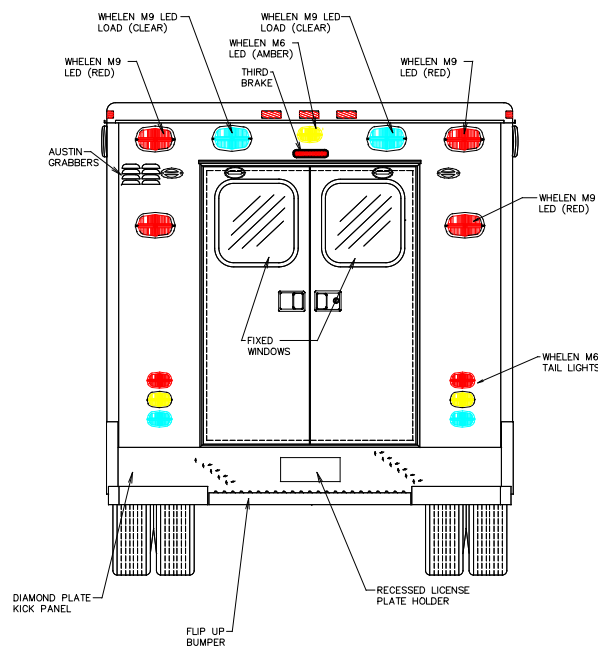
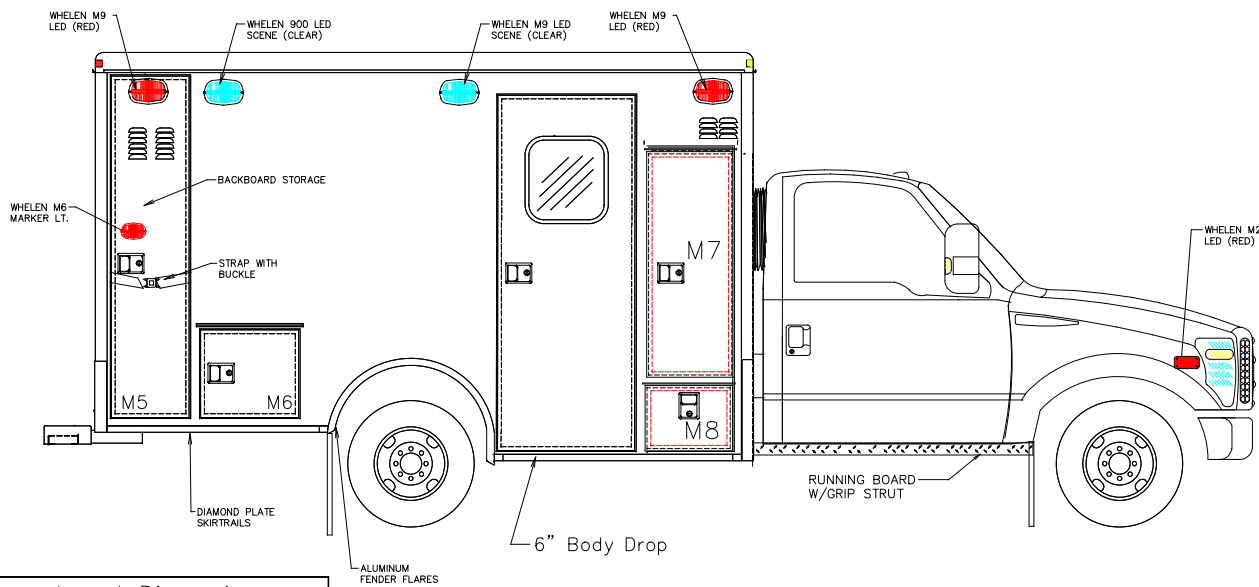
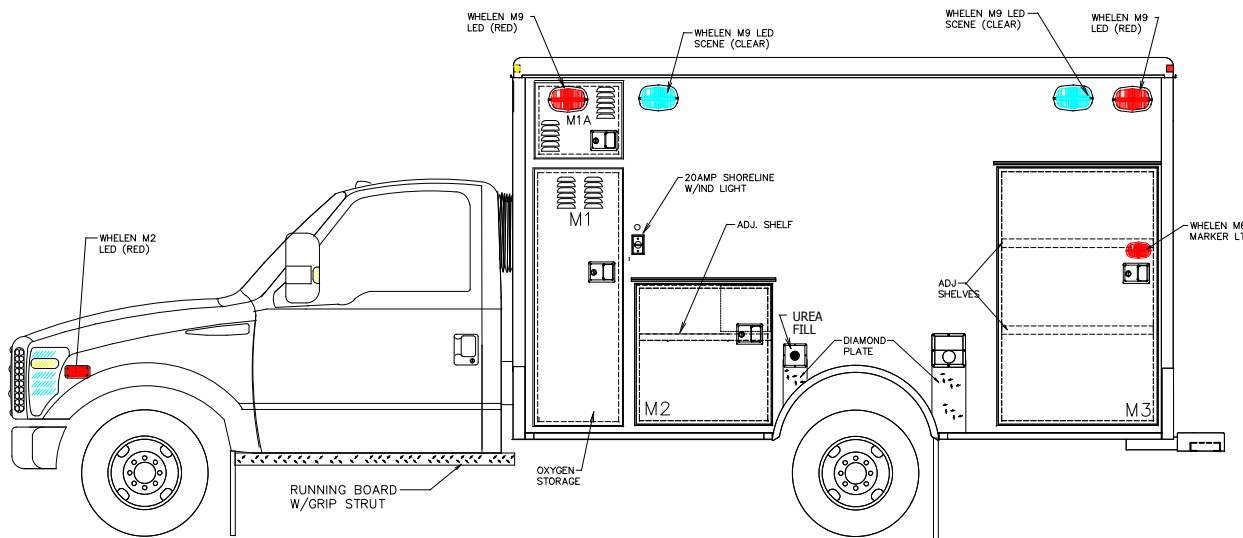
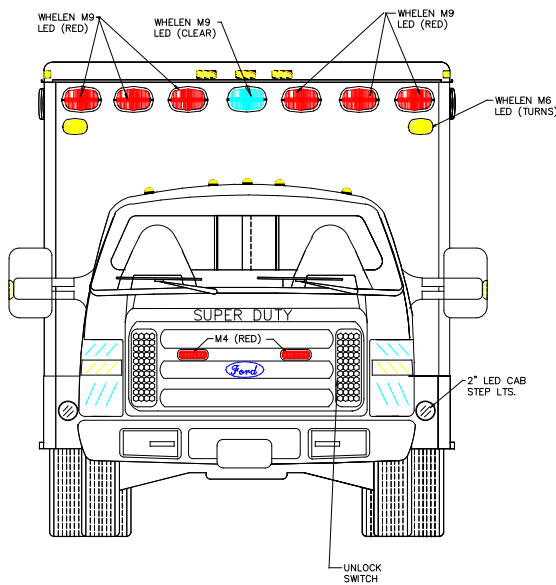


Professional Vehicle Corporation
800-894-7788



AMERICAN EMERGENCY VEHICLES	
TITLE	Type I, 154", Interior
DWG.#18600-I	REV.#0
Truck#150F18600	
BY:MDB	DATE:11-21-14
 DEMO	

*CONCEPTIONAL DRAWINGS
 * Some shown are optional
 * Due to AEV's ongoing improvements, drawings can change.




Cmpt	Height	Width	Depth
M1	61.8"	18.6"	19.4"
M1	17.56"	18.6"	19.4"
M2	34.5"	30.5"	19.4"
M3	61.5"	27"	19.4"
M5	82.8"	20.5"	21"
M6	20.2"	21.5"	19.4"
M7	45.3"	14.6"	N/A
M8	18.1"	14.6"	21"
C/S Access	78.8"	31"	N/A
Rear Access	60-5/8"	46-3/4"	N/A

*CONCEPTUAL DRAWINGS
* Some shown are optional
* Due to AEV's ongoing improvements, drawings can change.

Professional Vehicle Corporation
800-894-7788



AMERICAN EMERGENCY VEHICLES	
TITLE	Type I, 154, Exterior
DWG.#	18600-E_REV#0
TRUCK#	150F18600
BY:MDB	DATE:11-21-14
BODY #:	9240
 DEMO	