

DETAIL A
SCALE 1 / 9

A

Shown Straight not curved to bin wall
Bolt to sidewall 4 bolt spaces from
platform wall bracket
Adjust and fan steps evenly

4 Bolt Spaces (approx 38")

4 Bolt Spaces

IN-ES3006

GREENE
GALVANIZED STAIRS

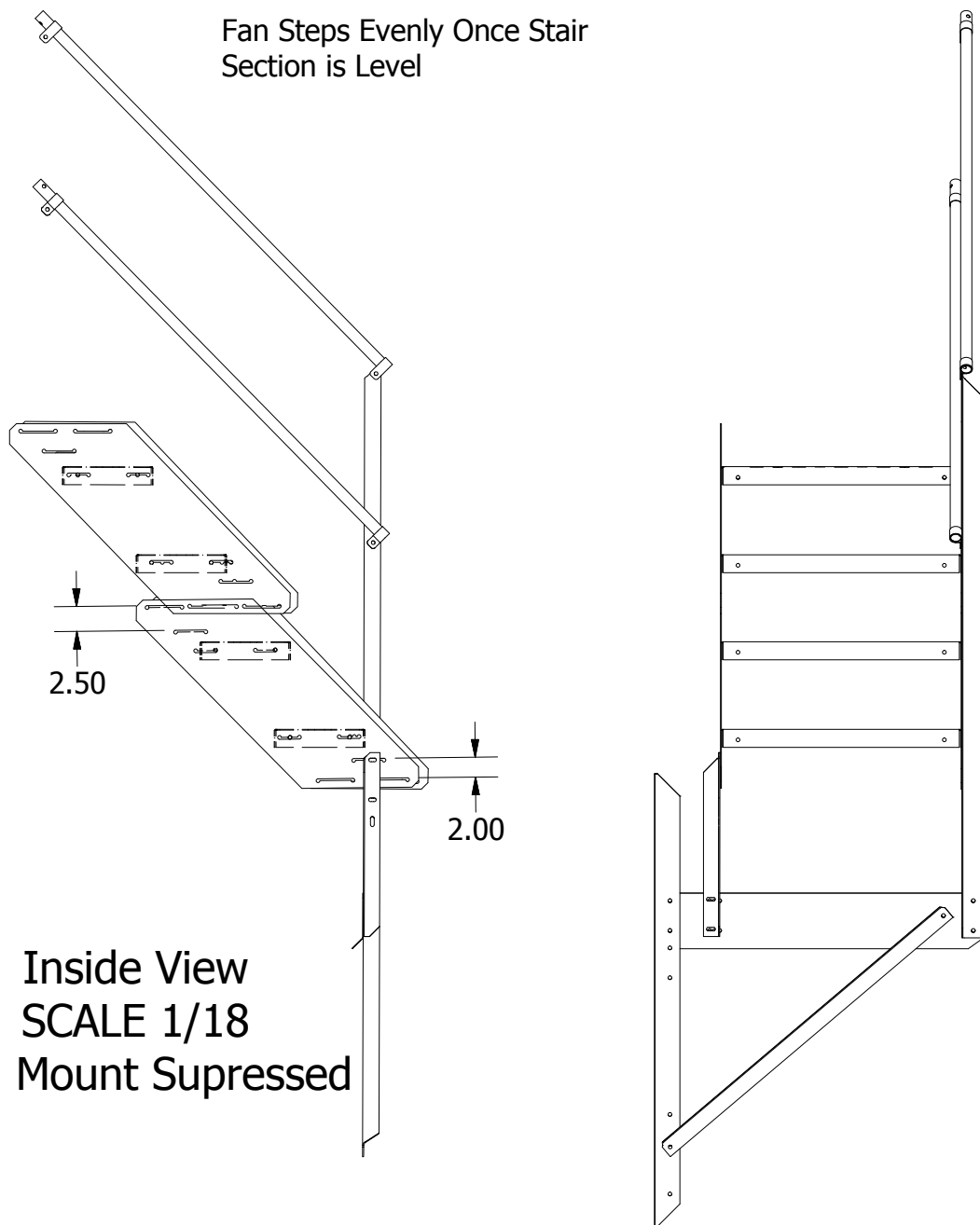
www.greenebinstairs.com
East Lynn IL 60932
217-375-4244 / 217-375-4245 FAX

DRAWN Mike 8/15/2014

TITLE
ES8500 Series Platform ES7444 Stair Section

SIZE A DWG NO ES8544/ES8542, ES7744
DO NOT SCALE REV SHEET 1 OF 2

Fan Steps Evenly Once Stair Section is Level

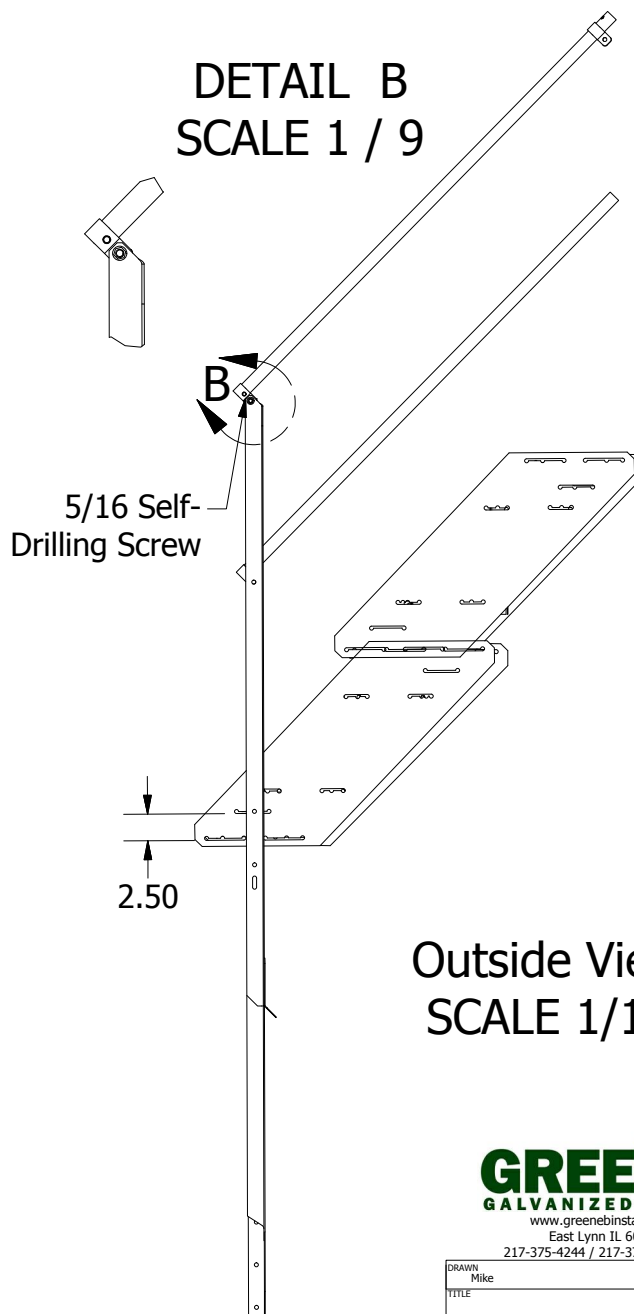


Inside View
SCALE 1/18
Wall Mount Supressed

Siderails have one end spaced 2 inches and one end spaced 2.5 inches.

The 2 in spacing needs to be down on the inside and the 2.5 needs to be down on the outside

DETAIL B
SCALE 1 / 9

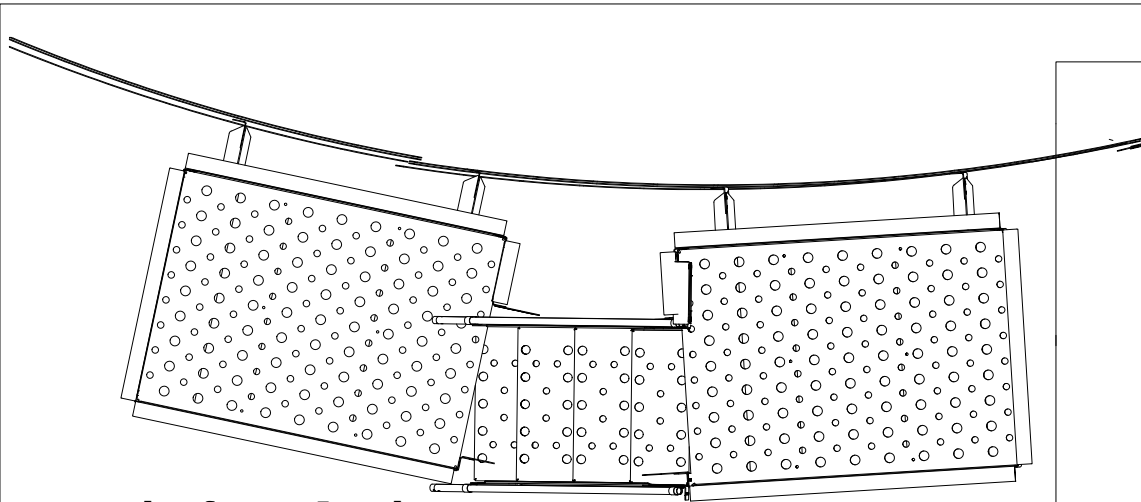


Outside View
SCALE 1/18

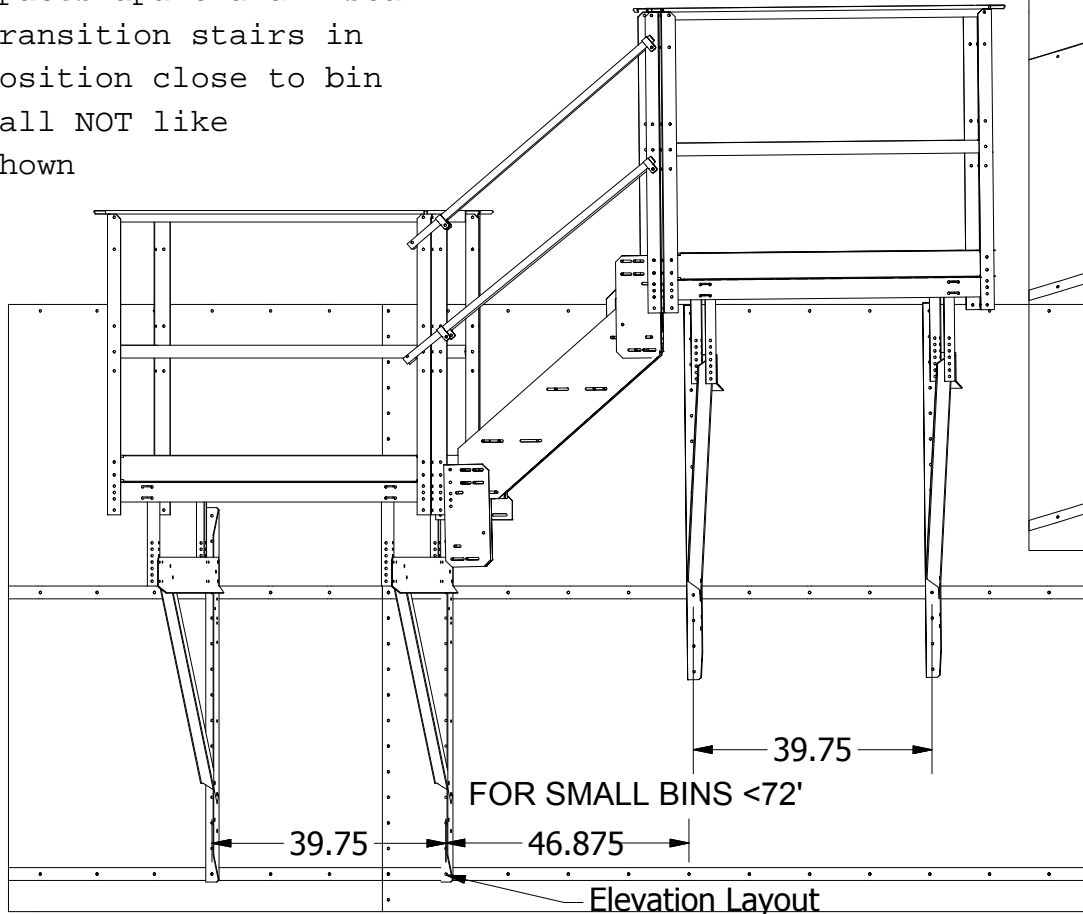
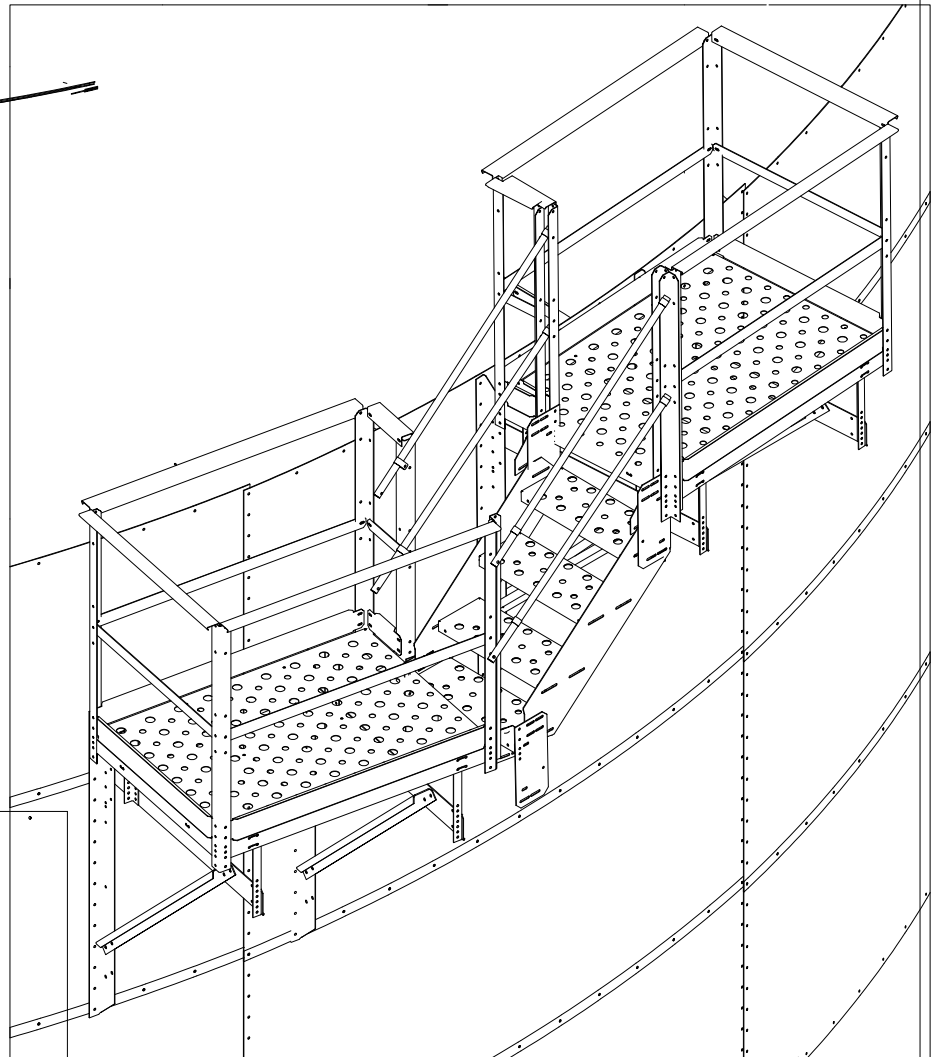
GREENE
GALVANIZED STAIRS

www.greenebinstairs.com
East Lynn IL 60932
217-375-4244 / 217-375-4245 FAX

| | | |
|--------------|---|--------------|
| DRAWN | Mike | 8/15/2014 |
| TITLE | ES8500 Series Platform ES7444 Stair Section | |
| SIZE | DWG NO | |
| A | ES8544/ES8542, ES7744 | |
| DO NOT SCALE | REV | SHEET 2 OF 2 |

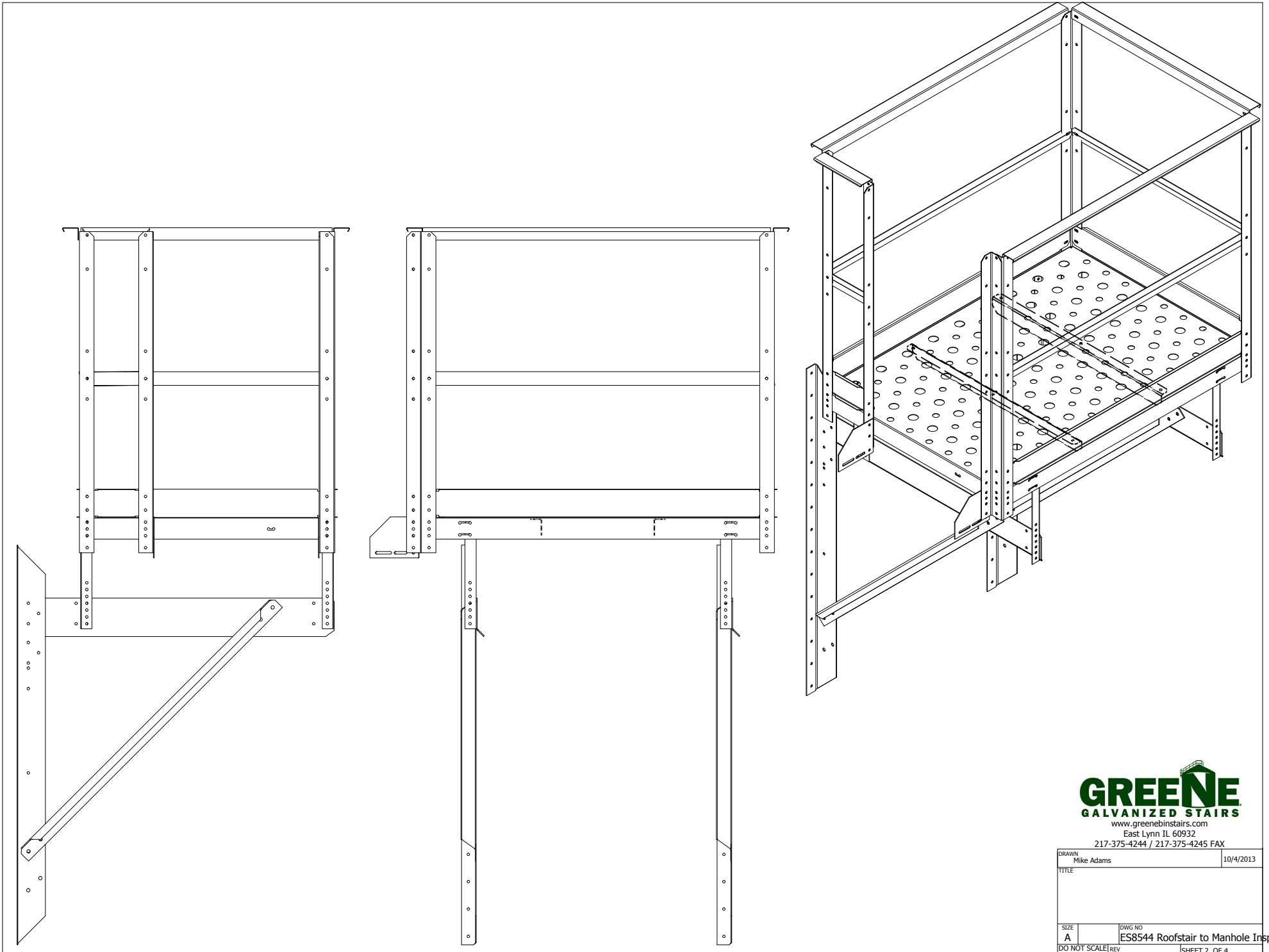


Mount Platforms 5 Bolt
spaces apart and install
transition stairs in
position close to bin
wall NOT like
shown



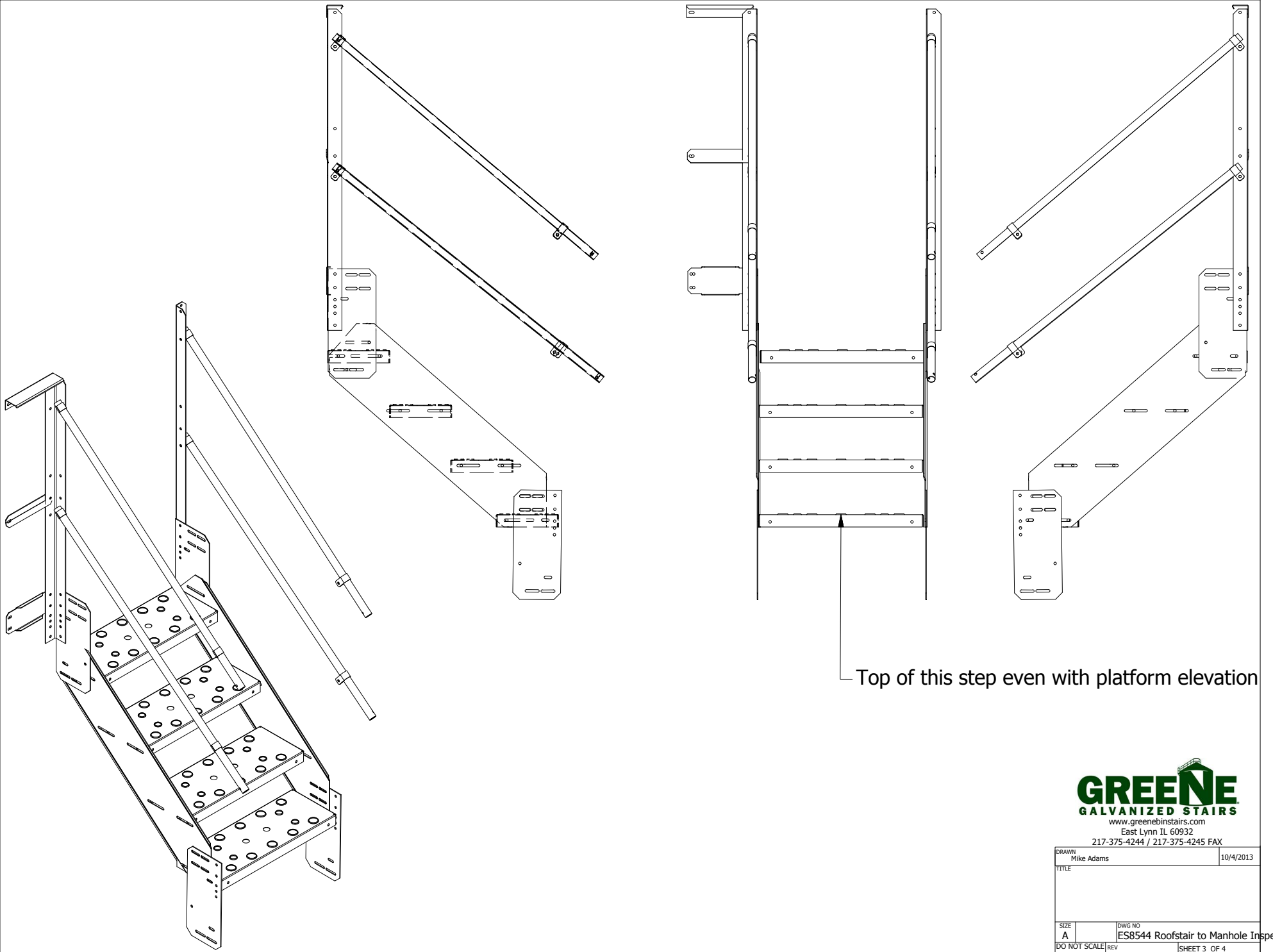
GREENE
GALVANIZED STAIRS
www.greenebinstairs.com
East Lynn IL 60932
217-375-4244 / 217-375-4245 FAX

| | | |
|----------------------------------|--|--------------|
| DRAWN Mike Adams | | 10/4/2013 |
| TITLE Small Bin Layout | | |
| SIZE A | DWG NO ES8544 Roofstair to Manhole Inspection L | REV |
| DO NOT SCALE | | SHEET 1 OF 4 |



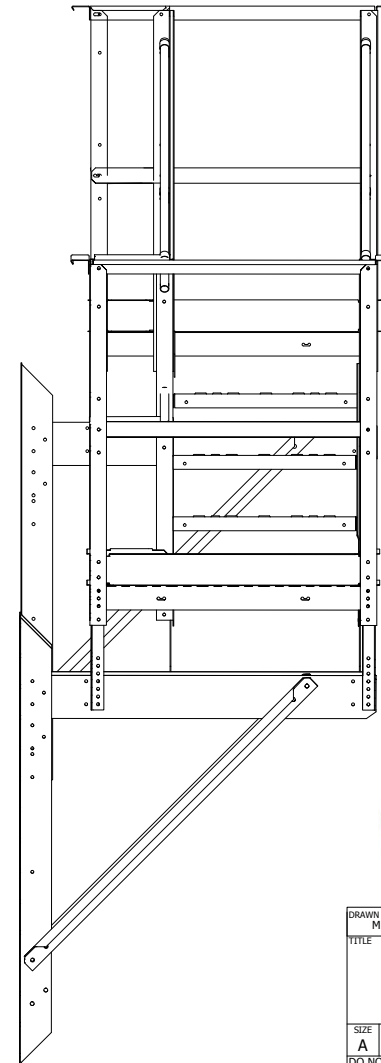
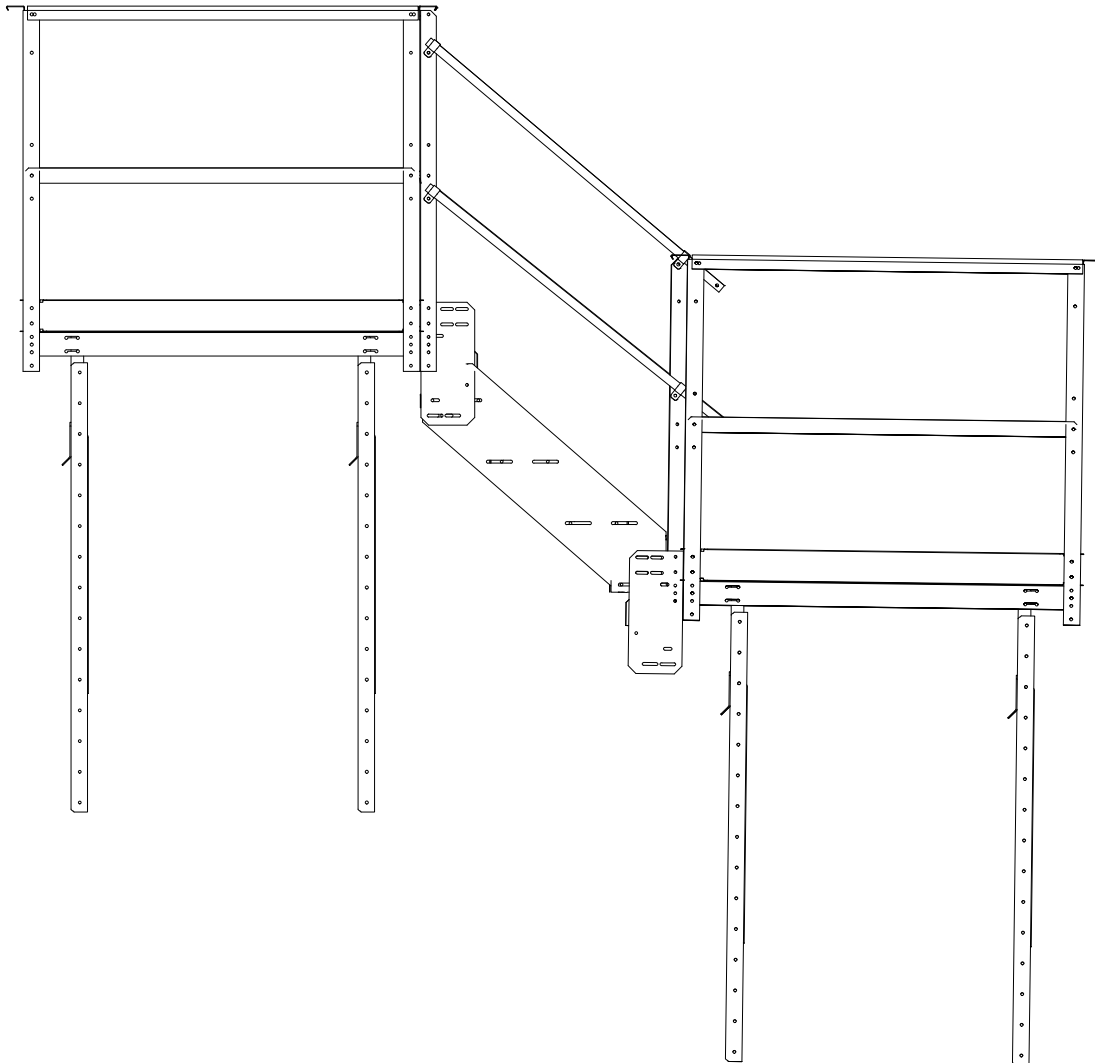
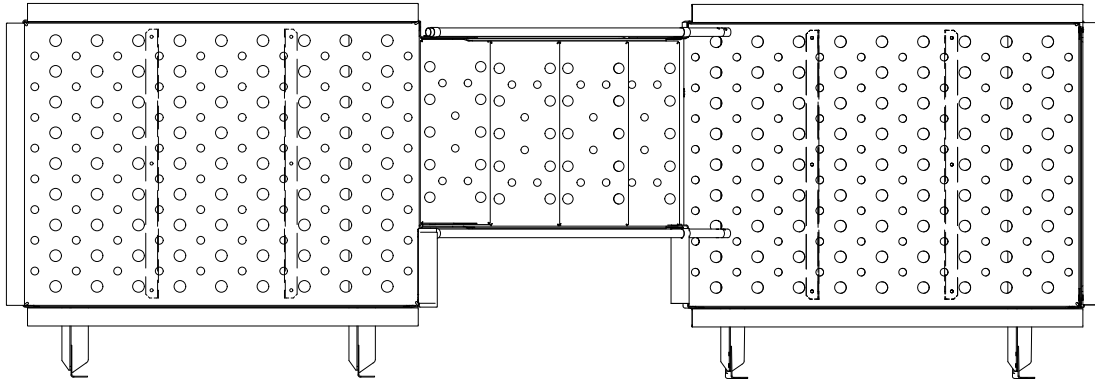
GREENE
GALVANIZED STAIRS
 www.greenebinstairs.com
 East Lynn IL 60932
 217-375-4244 / 217-375-4245 FAX

| | | | | | |
|---------------------|--------------|--------|-----|--|--------------|
| DRAWN Mike Adams | | DWG NO | | 10/4/2013 | |
| TITLE | | | | | |
| SIZE A | DO NOT SCALE | | REV | ES8544 Roofstair to Manhole Inspection L | SHEET 2 OF 4 |



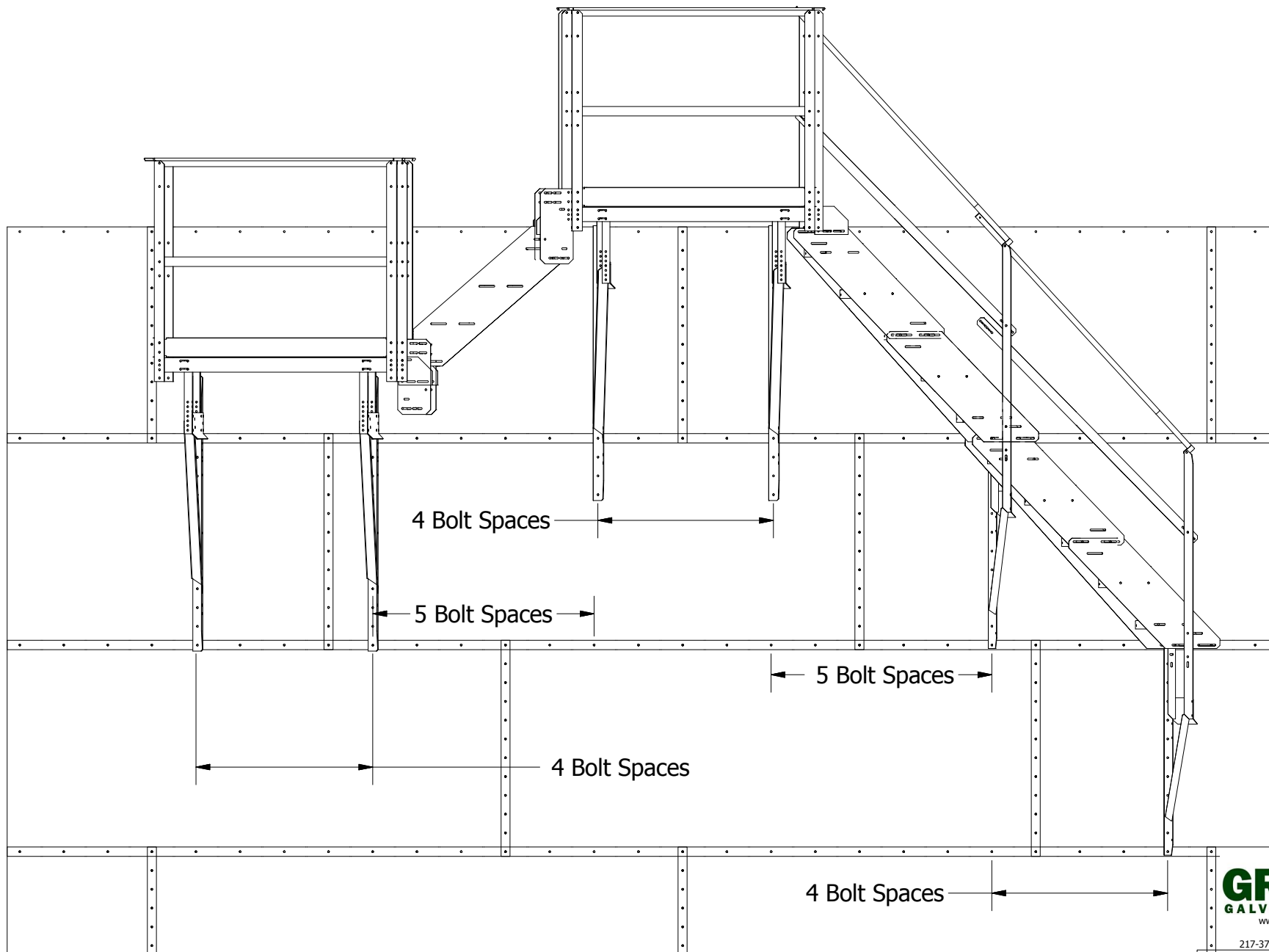
GREENE
GALVANIZED STAIRS
 www.greenebinstairs.com
 East Lynn IL 60932
 217-375-4244 / 217-375-4245 FAX

| | | |
|---------------------|------------------|-----------------------------------|
| DRAWN Mike Adams | | 10/4/2013 |
| TITLE | | |
| SIZE A | DWG NO ES8544 | Roofstair to Manhole Inspection L |
| DO NOT SCALE | REV | SHEET 3 OF 4 |



GREENE
GALVANIZED STAIRS
 www.greenebinstairs.com
 East Lynn IL 60932
 217-375-4244 / 217-375-4245 FAX

| | | | | | |
|---|--------------|------------------|-----|--------------|--|
| DRAWN Mike Adams | | DWG NO ES8544 | | 10/4/2013 | |
| TITLE ES8544 Roofstair to Manhole Inspection L | | | | | |
| SIZE A | DO NOT SCALE | | REV | SHEET 4 OF 4 | |



GREENE
GALVANIZED STAIRS
 www.greenebinstairs.com
 East Lynn IL 60932
 217-375-4244 / 217-375-4245 FAX

| | | | |
|---------------------|------------------------|--------------|------------|
| DESIGN | Mike Adams | DATE | 10/22/2013 |
| TITLE | | | |
| Layout for 156' Bin | | | |
| SIZE | DWG NO | | |
| A | ES8544, ES7744, ES4400 | | |
| DO NOT SCALE | REV | SHEET 1 OF 1 | |