

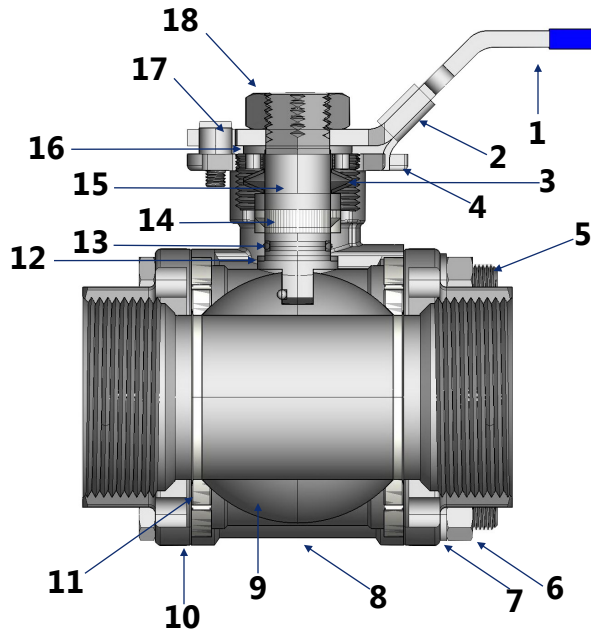
Features:

- 1,000 WOG
- All stainless steel
- In line repairable
- Full port
- Quarter turn open / close
- Blowout proof stem
- Live loaded stem packing
- Bleed hole above stem packing
- Anti-static device, internal, on stem



Description:

The Figure T-V3AM is a full port, 3 piece, 316 stainless steel, quarter turn ball valve with a direct actuator mounting pad. The mounting pad eliminates the need for mounting brackets and stem couplers for the vast majority of pneumatic and electric actuators. The 3 piece, smooth interface, body eliminates pipe spreading for removal.



| <u>Number</u> | <u>Part</u> | <u>Material</u> | <u>Quantity</u> |
|---------------|-------------------|-----------------|-----------------|
| 1 | Handle (Optional) | 304 SS | 1 |
| 2 | Latch Lock | 304 SS | 1 |
| 3 | Belleville Washer | 410 SS | 2 |
| 4 | Mount Pad | A351 CF8M | 1 |
| 5 | Bolts | A193 B8M | 4 |
| 6 | Bolt Nuts | A194 B8M | 4 |
| 7 | Bolt Washer | 304 SS | 4 |
| 8 | Body | A351 CF8M | 1 |
| 9 | Ball | A351 CF8M | 1 |
| 10 | End Caps | A351 CF8M | 2 |
| 11 | Seats | PTFE | 2 |
| 12 | Thrust Washer | PTFE | 1 |
| 13 | O-Ring | Viton | 1 |
| 14 | Packing | PTFE | 1 |
| 15 | Stem | A276 316 SS | 1 |
| 16 | Handle Washer | 304 SS | 1 |
| 17 | Stop Pin | 304 SS | 1 |
| 18 | Handle Nut | 304 SS | 1 |

Technical Specification:

Valve shall be a quarter turn, full port ball valve with integral direct actuator mounting pad. It shall have a 3 piece, smooth interface, in line repairable body made of 316 stainless steel. This design allows for socket and butt-welded end pieces for installation. Available handle to be latch lock type. Seats, thrust washer and packing to be made of PTFE. Ball and stem to be of 316 SS material. Stem to be live loaded, of blowout proof design with an anti-static device. A bleed hole should be above the stem packing.