

ALEXANDER METALS INC.

ARCHITECTURAL PRODUCT SPECIALISTS

497 CAVE RD NASHVILLE, TENNESSEE 37210
 PHONE: 615.256.6070 FAX: 615.256.9523
 www.AlexanderMetalsInc.com

NASHVILLE SC TRAINING FACILITY

4251 CENTURY FARMS TERRACE NASHVILLE, TN 37013

OWNER
 CHICKERING CR. LLC
 440 HARDING PIKE
 NASHVILLE, TN 37205

GENERAL CONTRACTOR
 PINNACLE CONSTRUCTION PARTNERS LLC
 413 WELSHWOOD DRIVE
 NASHVILLE, TN 37211

ARCHITECT
 MOODY | NOLAN
 1625 BROADWAY
 4TH FLOOR
 NASHVILLE, TN 37203
 P: 615.386.9690
 F: 615.386.0528

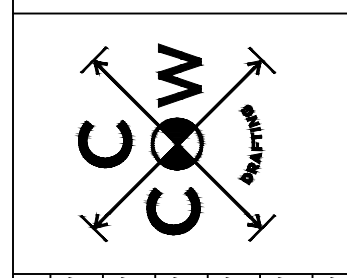
SHOP DRAWINGS STOREFRONT & CURTAIN WALL

SHEET NO.:		001
SCALE:		N.T.S.
SCOPE:	ALUMINUM CURTAINWALL & STOREFRONT	
PROJECT:	NASHVILLE SC TRAINING FACILITY 4251 CENTURY FARMS TERRACE NASHVILLE, TN 37013	
 <p>ALEXANDER METALS INC. ARCHITECTURAL PRODUCT SPECIALISTS 497 CAVE RD NASHVILLE, TENNESSEE 37210 PHONE: (615) 256-6070 FAX: (615) 256-9523 www.AlexanderMetalsInc.com</p>		
		
BY	REVISION	BY
CCW		CCW
CCW		CCW
CCW		CCW
CCW		CCW
CCW		CCW
NO.	DATE	REVISION
4.1	03.02.22	THIRD SUBMITTAL (INTERIOR REVISIONS)
5.1	03.31.22	FOURTH SUBMITTAL (INTERIOR REVISIONS)
6.1	06.15.22	FIFTH SUBMITTAL (CURTAINWALL FIELD MEASUREMENTS)
6.2	06.20.22	SIXTH SUBMITTAL (CURTAINWALL FIELD MEASUREMENTS)
6.3	06.22.22	SEVENTH SUBMITTAL (CURTAINWALL FIELD MEASUREMENTS)
6.4	06.30.22	EIGHTH SUBMITTAL (INTERIOR STOREFRONT FIELD MEASUREMENTS)
JOB NO.	4047	
REV. NO.		
SHEET NO.:		
001		

SCOPE:
ALUMINUM
CURTAINWALL
&
STOREFRONT

PROJECT:
NASHVILLE SC TRAINING FACILITY
4251 CENTURY FARMS TERRACE
NASHVILLE, TN 37013

ALEXANDER METALS INC.
ARCHITECTURAL PRODUCT SPECIALISTS
1070 CEDAR HOLLOW NASHVILLE, TENNESSEE 37203
PHONE: (615) 256-9070 FAX: (615) 256-9023
www.AlexanderMetalsInc.com



NO.	DATE	REVISION
1	01/22/22	THIRD SUBMITTAL (INTERIOR REVISIONS)
2	03/12/22	FOURTH SUBMITTAL (INTERIOR REVISIONS)
3	06/15/22	FIFTH SUBMITTAL (CURTAINWALL FIELD MEASUREMENTS)
4	06/20/22	SIXTH SUBMITTAL (CURTAINWALL FIELD MEASUREMENTS)
5	08/22/22	SEVENTH SUBMITTAL (CURTAINWALL FIELD MEASUREMENTS)
6	08/30/22	EIGHTH SUBMITTAL (INTERIOR STOREFRONT FIELD MEASUREMENTS)

NO. DATE REVISION

JOB NO. 4047

REV. NO.

GENERAL NOTES

- THIS SET OF DRAWINGS IS THE PROPERTY OF ALEXANDER METALS, INC. ANY REPRODUCTION, COPYING OR USE OF THIS DRAWINGS FOR PROJECTS OTHER THAN WHAT IS NOTED WITHOUT WRITTEN CONSENT IS PROHIBITED AND ANY INFRINGEMENT WILL BE SUBJECT TO LEGAL ACTION.
- ALEXANDER METALS WILL NOT ASSUME RESPONSIBILITY FOR ERRORS RESULTING FROM THE USE OF THESE DRAWINGS BY OTHER TRADES.
- THESE DRAWINGS REPRESENTS ALEXANDER METAL'S APPLICATION OF PRODUCTS TO THIS PROJECT IN FUNCTIONAL COMPLIANCE WITH THE ARCHITECT'S DRAWINGS AND SPECIFICATIONS. IT IS IMPORTANT THAT THIS INTERPRETATION BE REVIEWED DIMENSIONALLY AND FUNCTIONALLY WITH RESPECT TO ACTUAL ARCHITECTURAL INTENT, INTERFACING CONDITIONS, MATERIALS AND JOB SITE CONDITIONS.
- PROJECT MATERIALS MUST BE PROTECTED IMMEDIATELY FROM STAINING BY WET CARDBOARD PAPER AND FROM ACTION OF HARSH ALKALIS AND SAND IN CONCRETE, STUCCO, MORTAR OR PLASTER. THE SETTING OF THE PROJECT MATERIALS REQUIRES GENERAL CONTRACTOR TO CLOSELY SUPERVISE OTHER TRADES SO AS TO PREVENT MARRING OR DISCOLORATION FROM ANY CAUSE.
- ALL FINISH MATERIALS MUST BE PROTECTED DURING WELDING OPERATIONS, FIREPROOFING OR ANY OTHER PROCESS THAT MAYBE HARMFUL TO THE APPEARANCE OR PERFORMANCE OF THE PROJECT MATERIALS.
- ALL GASKET JOINTS, BUTT JOINTS, LAP JOINTS, HEEL BEADS, TOE BEADS AND GAP BEADS SHOULD BE SEALED WATERTIGHT FOLLOWING SEALANT MANUFACTURER RECOMMENDATIONS AS TO SIZE, METHOD OF APPLICATION AND COMPATIBILITY WITH ADJOINING MATERIALS.
- INSTALLATION IS SUBJECT TO MANUFACTURER'S RECOMMENDATION IN ACCORDANCE WITH ACCEPTABLE INDUSTRY STANDARDS.
- ADEQUATE STRUCTURE CAPABLE OF WITHSTANDING THE LOADS IMPOSED BY THE SYSTEM BEING APPLIED MUST BE PROVIDED.
- ALL ROUGH OPENING WEATHERPROOFING & DIMENSIONS TO BE VERIFIED BY G.M. PRIOR TO SYSTEM INSTALLATION.
- ALL ROUGH OPENINGS PROVIDED MUST BE SQUARE AND WITHIN SPECIFIED BUILDING TOLERANCES.
- AMI WILL ONLY APPLY THE PRIMARY PERIMETER SEAL OF WINDOW SYSTEMS TO A IMPERMEABLE SUBSTRATE AND OR A WATER RESISTANT MEMBRANE, THIS DOES NOT INCLUDE EIFS, STUCCO, OR ANY POROUS COATING / SURFACE. (AMI WILL NOT SEAL TO EIFS)
- ALL CONCRETE MUST CURE FOR A MIN. OF 30 DAYS PRIOR TO INSTALLATION OF WINDOW FRAMING TO ENSURE ADEQUATE FASTENING AND SEALANT ADHESION.
- NO MATERIAL BY ANY OTHER TRADES IS TO BE FASTENED DIRECTLY TO THE ALUMINUM STOREFRONTS AND CURTAIN WALL WITHOUT CONSULTING ALEXANDER METALS.
- ALL WEEP HOLES MUST REMAIN UNOBSTRUCTED

PERIMETER SEALANT

MANUFACTURE	SERIES / COLOR	EXTERIOR / INTERIOR
DOW	795/GRAY	EXT/INT

APPLIED SYSTEMS

MANUFACTURE	MODEL #	EXTERIOR / INTERIOR/ LOCATION / DESCRIPTION	FINISH	PERIMETER GAP AT HEAD (MAX.)	PERIMETER GAP AT SILL (MAX.)	PERIMETER GAP AT JAMBS (MAX.)
TUBELITE	CW400	EXTERIOR CURTAINWALL - 2 1/2" X 7 1/2"	CLEAR ANODIZED W/ BLACK	1/2"	1/2"	1/2"
TUBELITE	RW900T	EXTERIOR RIBBON WALL - 2 1/4" X 4 1/2"	CLEAR ANODIZED	1/2"	1/2"	1/2"
TUBELITE	E4500	INTERIOR STOREFRONT - 1 3/4" X 4 1/2"	CLEAR ANODIZED	3/8"	3/8"	3/8"

GLAZING SCHEDULE

ID #	MANUFACTURE SUPPLIER	GLAZING COMPOSITION
IG1	TRISTAR	1" INSULATED GLASS 1/4" CLEAR HEAT STRENGTHENED WITH SNX51/23 ON #2 SURF. 1/2" AIR SPACE - BLACK SPACER 1/4" CLEAR HEAT STRENGTHENED
IG1A	TRISTAR	1" INSULATED GLASS 1/4" CLEAR TEMPERED WITH SNX51/23 ON #2 SURF. 1/2" AIR SPACE - BLACK SPACER 1/4" CLEAR TEMPERED
IG2	TRISTAR	1" INSULATED GLASS 1/4" CLEAR HEAT STRENGTHENED WITH SNX51/23 ON #2 SURF. 1/2" AIR SPACE - BLACK SPACER 1/4" CLEAR HEAT STRENGTHENED W/ SHADOW BOX

GLAZING SCHEDULE

ID #	MANUFACTURE SUPPLIER	GLAZING COMPOSITION
GL1	T.B.D.	1/4" CLEAR TEMPERED
GL2	T.B.D.	1/4" CLEAR TEMPERED
GL3	T.B.D.	1/4" CLEAR LAMINATED
GL4	T.B.D.	1/4" CLEAR LAMINATED

ADDITIONAL NOTES

DIMENSION VERIFICATION

TO BE DETERMINED BY G.C.

FIELD VERIFIED:

GUARANTEED DIMENSIONS:

DRAWING PREP'D FROM

LEGEND / SYMBOLS

PLYWOOD	FINISHED WOOD
BATT INSULATION	DIMENSION LUMBER
GROUT	FACE BRICK
ACOUSTICAL CEILING	RIGID INSULATION
ALUMINUM	CONCRETE
MARBLE	CONCRETE BLOCK
CUT STONE / PRECAST	STEEL IN SECTION
GYPSUM / DRYWALL	DENOTES BLOCKING OR SHIM, NOT NECESSARILY ONE PIECE.
ELEVATION TITLE	WORKING POINT
←ELEVATION MARK/TITLE	WIND LOAD ANCHOR
←ELEVATION SHEET NUM.	DEAD LOAD ANCHOR
DIMENSIONAL REVERENCE / ELEVATION	BACKER ROD & SEALANT BY AMI
X GLAZING INDICATION NUM.	DENOTES NORTH DIRECTION
XXX DOOR NUMBER	STEEL REINFORCEMENT

ABBREVIATIONS

AMI = ALEXANDER METALS INC	G.C. = GENERAL CONTRACTOR
A.R. = ARCHITECTURAL REFERENCE	G.L. = GLASS
A.F.F. = ABOVE FINISH FLOOR	GALV. = GALVANIZED
BLDG. = BUILDING	HDW = HARDWARE
B/O = BY OTHERS, NOT BY AMI	I.Z. = INSIDE ZONE
B.O. = BOTTOM OF	M.L. = MULLION LENGTH
B.O.M. = BOTTOM OF MULLION	M.P. = METAL PANEL
C.L. = CENTER LINE	N.T.S. = NOT TO SCALE
C.Z. = CORNER ZONE	O.C. = ON CENTER
DIM = DIMENSION	OPP = OPPOSITE HAND
D.L. = DEAD LOAD	REQ'D = REQUIRED
D.L.O. = DAY LIGHT OPENING	R.O. = ROUGH OPENING
D.O. = DOOR OPENING	S.F. = SQUARE FOOT
E.D. = EDGE DISTANCE	S.G. = SPANDREL GLASS
ELEV. = ELEVATION	SIM = SIMILIAR
EMBD. = EMBEDMENT	T.O. = TOP OF
E.O.G. = EDGE OF GLASS	T.O.M. = TOP OF MULLION
E.O.S. = EDGE OF SLAB	T.O.S. = TOP OF SURFACE
F.S. = FRAME SIZE	V.I.F. = VERIFY IN FIELD
F.F. = FINISH FLOOR	W.H. = WINDOW HEIGHT
F.O.G. = FACE OF GLASS	W.L. = WIND LOAD
F.H. = FRAME HEIGHT	W.P. = WORKING POINT
F.W. = FRAME WIDTH	W.W. = WINDOW WIDTH

SHEET INDEX

001 COVER PAGE
002 SHEET INDEX / GENERAL NOTES
003 DOOR SCHEDULE
004 DOOR SCHEDULE
005 DOOR HARDWARE SCHEDULE
101 FLOOR PLANS
102 FLOOR PLANS
103 FLOOR PLANS
104 FLOOR PLANS
201 BUILDING ELEVATIONS
202 BUILDING ELEVATIONS
WINDOW ELEVATION SHEETS
301 STOREFRONT ELEVATIONS
302 STOREFRONT ELEVATIONS
303 STOREFRONT ELEVATIONS
304 STOREFRONT ELEVATIONS
305 STOREFRONT ELEVATIONS
306 STOREFRONT ELEVATIONS
307 STOREFRONT ELEVATIONS
308 STOREFRONT ELEVATIONS
309 STOREFRONT ELEVATIONS
310 STOREFRONT ELEVATIONS
311 STOREFRONT ELEVATIONS
312 STOREFRONT ELEVATIONS
313 STOREFRONT ELEVATIONS
401 RIBBON WALL ELEVATIONS
402 RIBBON WALL ELEVATIONS
403 RIBBON WALL ELEVATIONS
404 RIBBON WALL ELEVATIONS
405 RIBBON WALL ELEVATIONS
406 RIBBON WALL ELEVATIONS
407 RIBBON WALL ELEVATIONS
408 RIBBON WALL ELEVATIONS
501 CURTAIN WALL ELEVATIONS
502 CURTAIN WALL ELEVATIONS
503 CURTAIN WALL ELEVATIONS
504 CURTAIN WALL ELEVATIONS
505 CURTAIN WALL ELEVATIONS
506 CURTAIN WALL ELEVATIONS
507 CURTAIN WALL ELEVATIONS
508 CURTAIN WALL ELEVATIONS
509 CURTAIN WALL ELEVATIONS
510 CURTAIN WALL ELEVATIONS
511 CURTAIN WALL ELEVATIONS
512 CURTAIN WALL ELEVATIONS
513 CURTAIN WALL ELEVATIONS
514 CURTAIN WALL ELEVATIONS
515 CURTAIN WALL ELEVATIONS
516 CURTAIN WALL ELEVATIONS
517 CURTAIN WALL ELEVATIONS
601 MIRROR ELEVATION
701 MISCELLANEOUS ELEVATION
DETAIL SHEETS
801 STOREFRONT DETAILS
802 STOREFRONT DETAILS
803 STOREFRONT DETAILS
804 STOREFRONT DETAILS
805 STOREFRONT DETAILS
806 STOREFRONT DETAILS
807 STOREFRONT DETAILS
808 STOREFRONT DETAILS
809 STOREFRONT DETAILS
810 STOREFRONT DETAILS
811 STOREFRONT DETAILS
812 STOREFRONT DETAILS
813 STOREFRONT DETAILS
814 STOREFRONT DETAILS
815 STOREFRONT DETAILS
816 STOREFRONT DETAILS
817 STOREFRONT DETAILS
818 STOREFRONT DETAILS
819 STOREFRONT DETAILS
901 RIBBON WALL DETAILS
902 RIBBON WALL DETAILS
903 RIBBON WALL DETAILS
904 RIBBON WALL DETAILS
905 RIBBON WALL DETAILS
906 RIBBON WALL DETAILS
907 RIBBON WALL DETAILS
908 RIBBON WALL DETAILS
909 RIBBON WALL DETAILS
910 RIBBON WALL DETAILS
911 RIBBON WALL DETAILS
912 RIBBON WALL DETAILS
913 RIBBON WALL DETAILS
914 RIBBON WALL DETAILS
915 RIBBON WALL DETAILS

ARCH / G.C.:

- 1) HARDWARE SCHEDULE ONCE APPROVED WILL SUPERSEDE ALL OTHER CONTRACT DOCUMENTS
- 2) PLEASE PROVIDE DEGREE OF HOLD OPEN FOR ALL CLOSER AND HOLDERS REQUIRED ON THIS PROJECT
- 3) PLEASE PROVIDE THE HEIGHT LOCATION REQUIRED FOR THE EXIT DEVICES SHOWN ON THIS PROJECT, IF LOCATION DIFFERS FROM MANUFACTURED RECOMMENDED LOCATIONS.

HARDWARE:

- 1) ALEXANDER METALS INC. IS SUPPLYING AND INSTALLING THE ALUMINUM DOOR HARDWARE FOR THIS PROJECT. PLEASE SEE A SEPARATE SUBMITTAL FOR DOOR HARDWARE SCHEDULE.

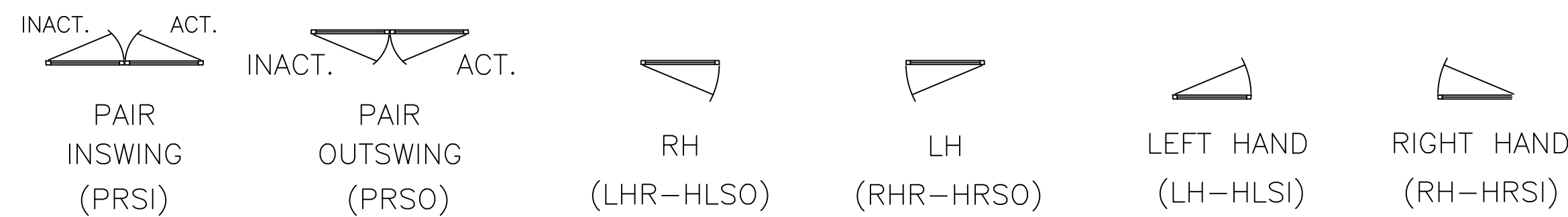
DESCRIPTION OF FINISH	BASE MATERIAL	US I.D./CODE	BHMA NUMBER
SATIN ALUMINUM, CLEAR COATED	ALUMINUM	US27	627
SATIN ALUMINUM, CLEAR ANODIZED	ALUMINUM	US28	628
BRIGHT BRASS PLATED, CLEAR COATED	ALUMINUM	US3	666
SATIN BRASS PLATED, CLEAR COATED	ALUMINUM	US4	667
SATIN BRONZE PLATED, CLEAR COATED	ALUMINUM	US10	668
BRIGHT NICKEL PLATED	ALUMINUM	US14	669
SATIN NICKEL PLATED	ALUMINUM	US15	670
FLAT BLACK COATED	ALUMINUM	US19	671
BRIGHT CHROMIUM PLATED	ALUMINUM	US26	672
ALUMINUM CLEAR COATED	ALUMINUM	----	673
SATIN ALUMINUM, GOLD ANODIZED	ALUMINUM	US4	688
SATIN CHROMIUM PLATED	ALUMINUM	US26D	702
OXIDIZED SATIN BRONZE, OIL RUBBED	ALUMINUM	US10D	703

DESCRIPTION OF FINISH	BASE MATERIAL	US I.D./CODE	BHMA NUMBER
BRIGHT BRASS, CLEAR COATED	BRASS	US3	605
SATIN BRASS, CLEAR COATED	BRASS	US4	606
SATIN BRONZE, CLEAR COATED	BRONZE	US10	612
OXIDIZED SATIN BRONZE, OIL RUBBED	BRONZE	US10B	613
BRONZE, DULL ANODIZED AND LACQUERED	BRONZE	US20A	624
BRIGHT CHROMIUM PLATED	BRASS / BRONZE	US26	625
SATIN CHROMIUM PLATED	BRASS / BRONZE	US26D	626
BRIGHT STAINLESS STEEL	STAINLESS STEEL	US32	629
SATIN STAINLESS STEEL	STAINLESS STEEL	US32D	630
SATIN STAINLESS STEEL (MILL)	STAINLESS STEEL	SS	----

DESCRIPTION OF FINISH	BASE MATERIAL	US I.D./CODE	BHMA NUMBER
ALUMINUM PAINTED	ANY	US28	689
DARK BRONZE PAINTED	ANY	US20	690
LIGHT BRONZE PAINTED	ANY	US10	691
TAN PAINTED	ANY	----	692
BLACK PAINTED	ANY	----	693
MEDIUM BRONZE PAINTED	ANY	----	694
MILL			
MILL FINISH	ALUMINUM	----	719
CUSTOM COATING		AMI CODE	
POWDER COATED-### (COLOR)	ANY	PC-#	----
PRIMED & PAINTED-### (COLOR)	ANY	PP-#	----

DOORS:

- 1) DOORS ARE TUBELITE STANDARD MEDIUM STILE DOORS WITH A 10" BOTTOM RAIL TO ACCEPT 1" GLASS
- 2) EXTERIOR DOORS TO ACCEPT 1" GLASS
- 3) INTERIOR DOORS ARE WOOD DOORS THAT ARE NOT BY ALEXANDER METAL. ALEXANDER METAL TO PROVIDE 1/4" GLAZING ONLY. ALUMINUM FRAMES @ WOOD DOORS ARE PREPPED FOR HINGES & STRIKES ONLY. ALL HARDWARE FOR WOOD DOORS IS NOT BY AMI.
- 4) INTERIOR & EXTERIOR SOLAR INNOVATION DOORS ARE SUPPLIED BY ALEXANDER METAL. SEE SEPARATE SUBMITTAL FOR COORDINATION.



DOOR SCHEDULE 1ST FLOOR

DOOR	DOOR OPENING	HAND	MATERIAL	DOOR ELEVATION	FRAMING MATERIAL	FRAME ELEVATION	HARDWARE	GLASS TYPE
2ST01	6'-8" X 7'-10"	PRSO	ALUM./GLASS	BB	**HM	3	31.0	45 MIN
140A	3'-0" X 8'-3 7/8"	RHR-HRSO	ALUM./GLASS	B	E4500	1	24.0	1/4" CLEAR TEMPERED
142	3'-0" X 7'-10"	LH-HLSI	ALUM./GLASS	B	E4500	1	22.2	1/4" CLEAR TEMPERED
143B	3'-0" X 7'-10"	LH-HLSI	ALUM./GLASS	B	E4500	1	26.0	1/4" CLEAR TEMPERED
143C	3'-0" X 7'-10"	RH-HRSI	ALUM./GLASS	B	E4500	1	26.0	1/4" CLEAR TEMPERED
144	3'-0" X 7'-9 7/8"	RH-HRSI	ALUM./GLASS	B	E4500	1	26.0	1/4" CLEAR TEMPERED
146	3'-0" X 7'-10"	LHR-HLSO	ALUM./GLASS	B	E4500	1	19.0	1/4" CLEAR TEMPERED
150	6'-8" X 7'-10"	PRSO	WOOD/GLASS	BB	**HM	3	21.0	1/4" CLEAR TEMPERED
158A	3'-0" X 7'-10"	RH-HRSI	ALUM./GLASS	B	E4500	1	23.0	1/4" CLEAR TEMPERED
C2A	3'-0" X 7'-10"	RHR-HRSO	ALUM./GLASS	B	E4500	--	---	1/4" CLEAR TEMPERED
EX-2ST01	6'-0" X 9'-3 5/8"	PRSO	ALUM./GLASS	BB	400CW	3	1.0	IG1A
EX-101	6'-0" X 9'-2"	PRSO	ALUM./GLASS	BB	400CW	3	2.0	IG1A
EX-150	6'-1" X 7'-10 7/8"	PRSO	ALUM./GLASS	B	400CW	3	4.0	IG1A
EX-158	3'-0" X 8'-0"	LHR-HLSO	ALUM./GLASS	B	400CW	1	5.0	IG1A
RR2F	3'-6" X 8'-0"	RHR-HRSO	ALUM./GLASS	B	900RW	1	--	IG1A
110A	6'-0" X 7'-10"	PRSI	**WOOD/GLASS	BB	**HM	3	18	1/4" CLEAR TEMPERED
152A	6'-0" X 7'-10"		**WOOD/GLASS	BB	**HM	3	28.1	1/4" CLEAR TEMPERED
152B	6'-0" X 7'-10"		**WOOD/GLASS	BB	**HM	3	28.1	1/4" CLEAR TEMPERED

CHANGED TO FIRE RATED SYSTEM - SEE SEPARATE SUBMITTAL

GLASS ONLY BY A.M.I.

GLASS ONLY BY A.M.I.

GLASS ONLY BY A.M.I.

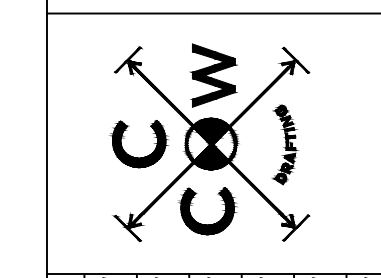
GLASS ONLY BY A.M.I.

** - A/E - PLEASE CONFIRM FRAMING MATERIAL

SCOPE:
ALUMINUM CURTAINWALL & STOREFRONT

PROJECT:
NASHVILLE SC TRAINING FACILITY
4251 CENTURY FARMS TERRACE
NASHVILLE, TN 37013

ALEXANDER METALS INC. ARCHITECTURAL PRODUCT SPECIALISTS
1070 GLENN AVENUE, NASHVILLE, TN 37203
PHONE: (615) 256-9070 FAX: (615) 256-9623
www.AlexanderMetals.com



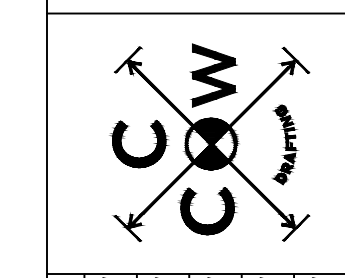
NO.	DATE	REVISION
4.1	02.02.22	THIRD SUBMITTAL (INTERIOR REVISIONS)
5.1	03.31.22	FOURTH SUBMITTAL (INTERIOR REVISIONS)
6.1	06.15.22	FIFTH SUBMITTAL (CURTAINWALL FIELD MEASUREMENTS)
6.2	06.20.22	SIXTH SUBMITTAL (CURTAINWALL FIELD MEASUREMENTS)
6.3	08.22.22	SEVENTH SUBMITTAL (CURTAINWALL FIELD MEASUREMENTS)
6.4	08.30.22	EIGHTH SUBMITTAL (INTERIOR STOREFRONT FIELD MEASUREMENTS)

JOB NO. 4047
REV. NO.

SCOPE:
ALUMINUM
CURTAINWALL
&
STOREFRONT

PROJECT:
NASHVILLE SC TRAINING FACILITY
4251 CENTURY FARMS TERRACE
NASHVILLE, TN 37013

**ALEXANDER
METALS INC.**
ARCHITECTURAL PRODUCT SPECIALISTS
1017 CLINTON AVENUE, NASHVILLE, TN 37203
PHONE: (615) 258-9070 FAX: (615) 258-9023
www.AlexanderMetalsInc.com



DOOR SCHEDULE 2ND FLOOR								
DOOR	DOOR OPENING	HAND	MATERIAL	DOOR ELEVATION	FRAMING MATERIAL	FRAME ELEVATION	HARDWARE	GLASS TYPE
203A	6'-0" X 7'-10"		WOOD/GLASS	BB	HM	3	22	1/4" CLEAR TEMPERED
203C	3'-0" X 7'-10"		WOOD/GLASS	B	HM	1	43	1/4" CLEAR TEMPERED
211A	3'-0" X 7'-10"	RH-HRSI	ALUM./GLASS	B	E4500	1	27.0	1/4" CLEAR TEMPERED
220A	3'-0" X 7'-10"	LHR-HLSO	ALUM./GLASS	B	E4500	1	20.0	1/4" CLEAR TEMPERED
221	6'-0" X 7'-10"	PRSO	ALUM./GLASS	BB	E4500	3	28.0	1/4" CLEAR TEMPERED
231A	3'-0" X 7'-10"	SLIDE	ALUM./GLASS	B	E4500	1	55.0	1/4" CLEAR TEMPERED
232A	3'-0" X 7'-10"	SLIDE	ALUM./GLASS	B	E4500	1	55.0	1/4" CLEAR TEMPERED
233A	3'-0" X 7'-10"	SLIDE	ALUM./GLASS	B	E4500	1	55.0	1/4" CLEAR TEMPERED
234A	3'-0" X 7'-10"	SLIDE	ALUM./GLASS	B	E4500	1	55.0	1/4" CLEAR TEMPERED
235A	3'-0" X 7'-10"	SLIDE	ALUM./GLASS	B	E4500	1	55.0	1/4" CLEAR TEMPERED
236A	3'-0" X 7'-10"	SLIDE	ALUM./GLASS	B	E4500	1	55.0	1/4" CLEAR TEMPERED
RR2H	3'-0" X 7'-10"	SLIDE	WOOD/GLASS	B	E4500	1	55.0	1/4" CLEAR TEMPERED
EX-203	3'-0" X 7'-10"	RH-HRSI	ALUM./GLASS	B	400CW	1	7.0	IG1A
EX-204	6'-0" X 7'-9 1/4"	PRSI	ALUM./GLASS	BB	400CW	3	6.0	IG1A
EX-211	3'-0" X 7'-11 1/4"	LH-HLSI	ALUM./GLASS	B	400CW	1	7.0	IG1A
EX-231B	3'-0" X 8'-0"	RHR-HRSO	ALUM./GLASS	B	400CW	1	8.0	IG1A
EX-232B	3'-0" X 8'-0"	LHR-HLSO	ALUM./GLASS	B	400CW	1	8.0	IG1A
EX-233B	3'-0" X 8'-0"	LHR-HLSO	ALUM./GLASS	B	400CW	1	8.0	IG1A
EX-234B	3'-0" X 8'-0"	RHR-HRSO	ALUM./GLASS	B	400CW	1	8.0	IG1A
EX-235B	3'-0" X 8'-0"	LHR-HLSO	ALUM./GLASS	B	400CW	1	8.0	IG1A
EX-236B	3'-0" X 8'-0"	LHR-HLSO	ALUM./GLASS	B	400CW	1	8.0	IG1A
EX-C2D	3'-0" X 7'-9 1/4"	LH-HLSI	ALUM./GLASS	B	400CW	1	7.0	IG1A
220B	3'-0" X 7'-10"		ALUM./GLASS	B	HM	1	25.0	1/4" CLEAR TEMPERED
223	3'-0" X 7'-10"		WOOD/GLASS	B	HM	1	49.0	1/4" CLEAR TEMPERED

GLASS ONLY BY A.M.I.

GLASS ONLY BY A.M.I.

DELETED FROM A.M.I.'S SCOPE OF WORK

DELETED FROM A.M.I.'S SCOPE OF WORK

DELETED FROM A.M.I.'S SCOPE OF WORK

DELETED FROM A.M.I.'S SCOPE OF WORK

DELETED FROM A.M.I.'S SCOPE OF WORK

DELETED FROM A.M.I.'S SCOPE OF WORK

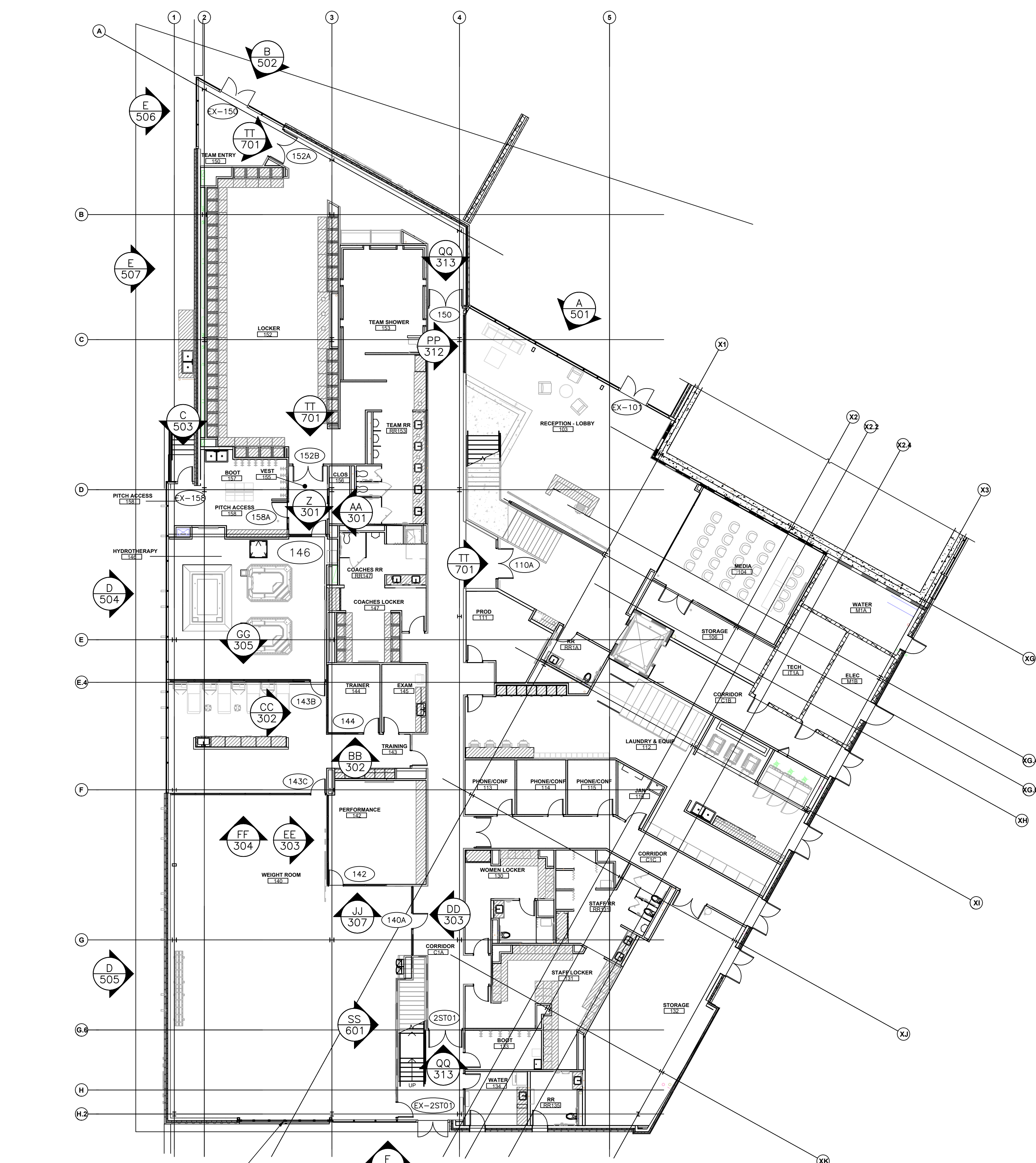
DELETED FROM A.M.I.'S SCOPE OF WORK

DELETED FROM A.M.I.'S SCOPE OF WORK

GLASS ONLY BY A.M.I.

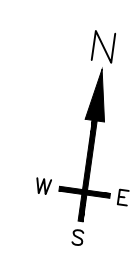
NO.	DATE	REVISION	BY
4.1	02/22	THIRD SUBMITTAL (INTERIOR REVISIONS)	CCW
5.1	03/12	FOURTH SUBMITTAL (INTERIOR REVISIONS)	CCW
6.1	06/15/22	FIFTH SUBMITTAL (CURTAINWALL FIELD MEASUREMENTS)	CCW
6.2	06/20/22	SIXTH SUBMITTAL (CURTAINWALL FIELD MEASUREMENTS)	CCW
6.3	06/22/22	SEVENTH SUBMITTAL (CURTAINWALL FIELD MEASUREMENTS)	CCW
6.4	08/30/22	EIGHTH SUBMITTAL (INTERIOR STOREFRONT FIELD MEASUREMENTS)	CCW

REV. NO.



SOLAR INNOVATION DOOR LOCATION
(SEE SEPARATE SUBMITTAL)

1 FLOOR PLAN -- LEVEL 1 -- AREA A
ARCH. REF.: A101A

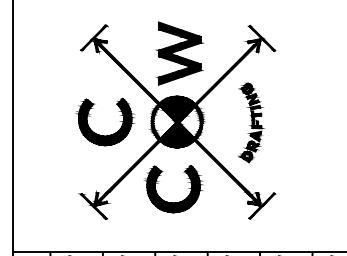


SHEET NO.:
101
SCALE:
N.T.S.

SCOPE:
ALUMINUM
CURTAINWALL &
STOREFRONT

PROJECT:
NASHVILLE SC TRAINING FACILITY
4251 CENTURY FARMS TERRACE
NASHVILLE, TN 37013

**ALEXANDER
METALS INC.**
ARCHITECTURAL PRODUCT SPECIALISTS
107 COLLETS ROAD NASHVILLE, TENNESSEE 37210
PHONE: (615) 258-9070 FAX: (615) 258-9823
www.AlexanderMetalsInc.com



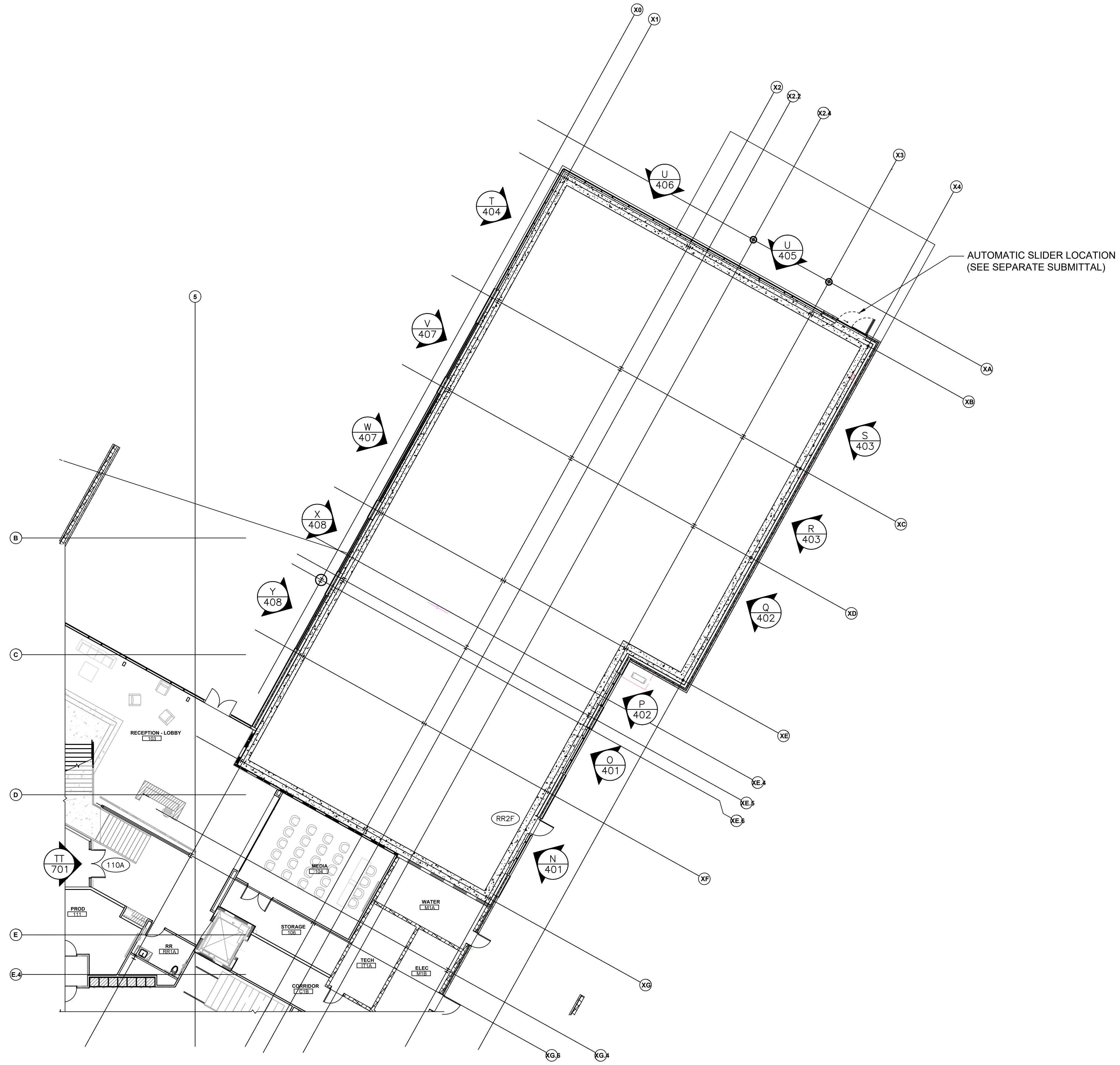
NO.	DATE	SUBMITTAL / REVISION
4.1	03.02.22	THIRD SUBMITTAL (INTERIOR REVISIONS)
5.1	03.31.22	FOURTH SUBMITTAL (INTERIOR REVISIONS)
6.1	06.15.22	FIFTH SUBMITTAL (CURTAINWALL FIELD MEASUREMENTS)
6.2	06.20.22	SIXTH SUBMITTAL (CURTAINWALL FIELD MEASUREMENTS)
6.3	06.22.22	SEVENTH SUBMITTAL (CURTAINWALL FIELD MEASUREMENTS)
6.4	08.30.22	EIGHTH SUBMITTAL (INTERIOR STOREFRONT FIELD MEASUREMENTS)

BY: CCW

JOB NO. 4047

REV. NO.

SHEET NO.:
101



1 FLOOR PLAN -- LEVEL 1 -- AREA B
 ARCH. REF.: A101B



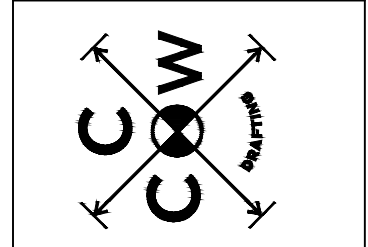
SHEET NO.:
102

SCALE:
 N.T.S.

SCOPE:
 ALUMINUM
 CURTAINWALL &
 STOREFRONT

PROJECT:
 NASHVILLE SC TRAINING FACILITY
 4251 CENTURY FARMS TERRACE
 NASHVILLE, TN 37013

**ALEXANDER
 METALS INC.**
 ARCHITECTURAL PRODUCT SPECIALISTS
 407 CEDAR HAVEN DRIVE, NASHVILLE, TENNESSEE 37203
 PHONE: (615) 258-9070 FAX: (615) 258-9223
 www.AlexanderMetalsInc.com

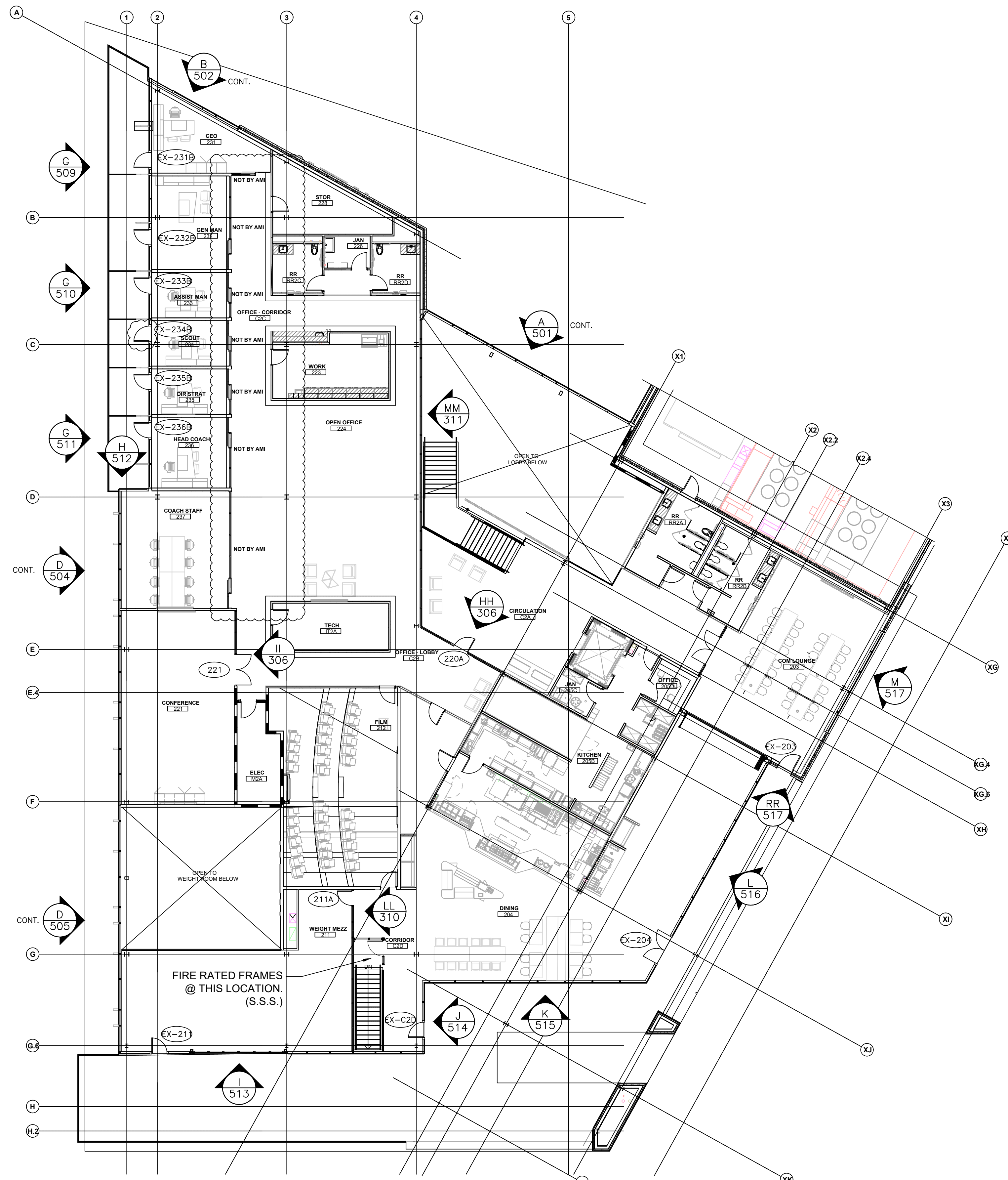


NO.	DATE	REVISION	BY
4.1	03.02.22	THIRD SUBMITTAL (INTERIOR REVISIONS)	CCW
5.1	03.31.22	FOURTH SUBMITTAL (INTERIOR REVISIONS)	CCW
6.1	06.15.22	FIFTH SUBMITTAL (CURTAINWALL FIELD MEASUREMENTS)	CCW
6.2	06.20.22	SIXTH SUBMITTAL (CURTAINWALL FIELD MEASUREMENTS)	CCW
6.3	06.22.22	SEVENTH SUBMITTAL (CURTAINWALL FIELD MEASUREMENTS)	CCW
6.4	08.30.22	EIGHTH SUBMITTAL (INTERIOR STOREFRONT FIELD MEASUREMENTS)	CCW

JOB NO. 4047

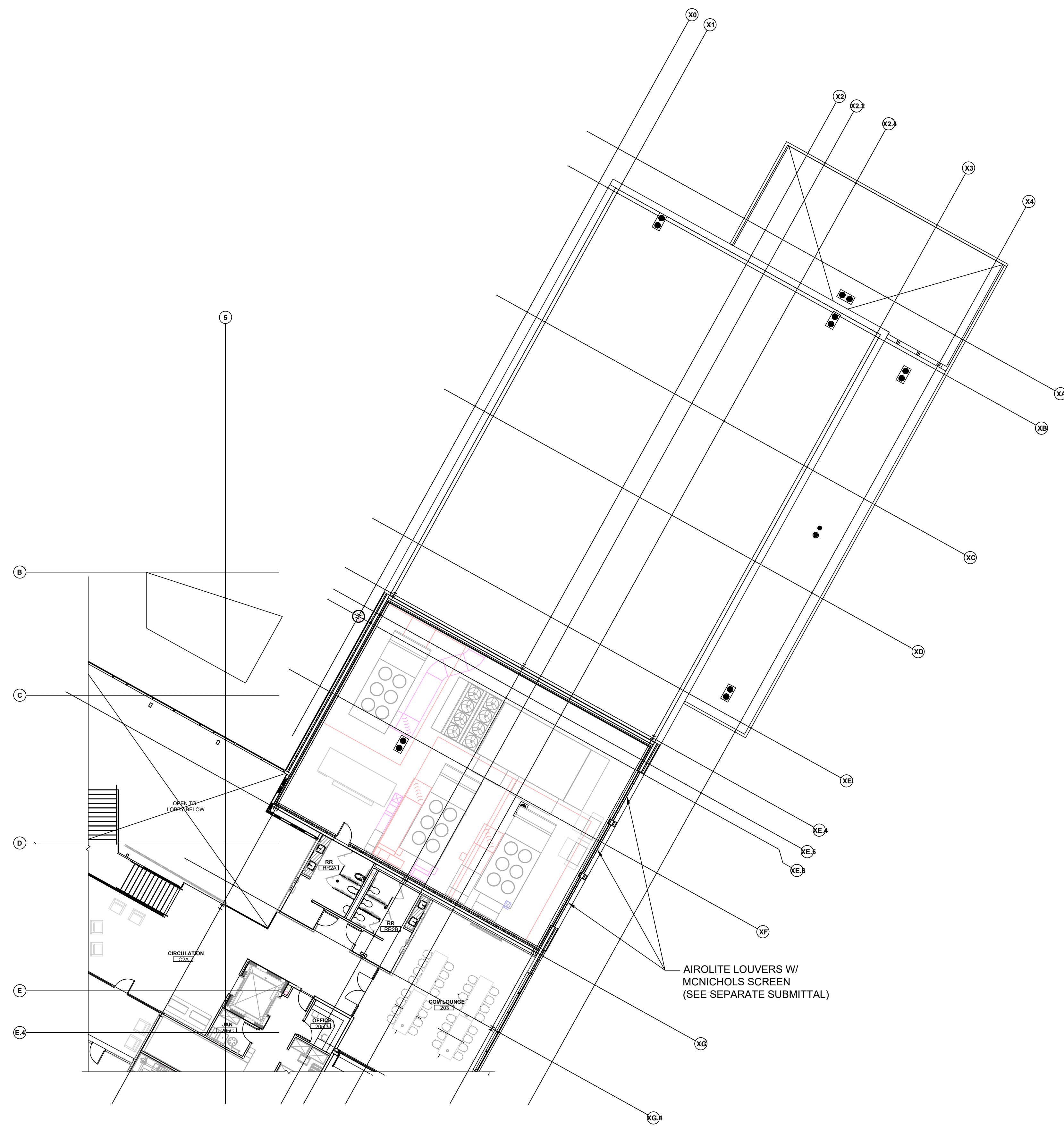
REV. NO.

SHEET NO.:
102

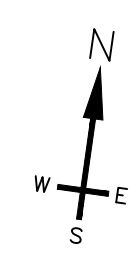


1 FLOOR PLAN - LEVEL 2 - AREA A
 ARCH. REF.: A102A

SHEET NO.:		103	
SCALE:		N.T.S.	
SCOPE:		ALUMINUM CURTAINWALL & STOREFRONT	
PROJECT:		NASHVILLE SC TRAINING FACILITY 4251 CENTURY FARMS TERRACE NASHVILLE, TN 37013	
ARCHITECT:		ALEXANDER METALS INC. ARCHITECTURAL PRODUCT SPECIALISTS 1070 CEDAR HOLLOW DRIVE, NASHVILLE, TENNESSEE 37203 PHONE: (615) 258-9070 FAX: (615) 258-9223 www.AlexanderMetalsInc.com	
BY:			
NO.	DATE	SUBMITTAL / REVISION	BY
4.1	03.02.22	THIRD SUBMITTAL (INTERIOR REVISIONS)	CCW
5.1	03.31.22	FOURTH SUBMITTAL (INTERIOR REVISIONS)	CCW
6.1	06.15.22	FIFTH SUBMITTAL (CURTAINWALL FIELD MEASUREMENTS)	CCW
6.2	06.20.22	SIXTH SUBMITTAL (CURTAINWALL FIELD MEASUREMENTS)	CCW
6.3	06.22.22	SEVENTH SUBMITTAL (CURTAINWALL FIELD MEASUREMENTS)	CCW
6.4	08.30.22	EIGHTH SUBMITTAL (INTERIOR STOREFRONT FIELD MEASUREMENTS)	CCW
JOB NO.		4047	
REV. NO.			
SHEET NO.:		103	



1 FLOOR PLAN - LEVEL 2 - AREA B
 ARCH. REF.: A102B



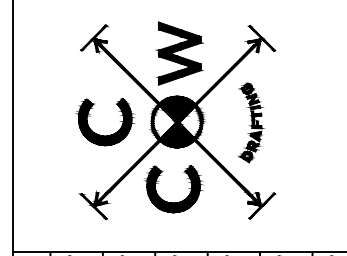
SHEET NO.:
104

SCALE:
 N.T.S.

SCOPE:
 ALUMINUM
 CURTAINWALL &
 STOREFRONT

PROJECT:
 NASHVILLE SC TRAINING FACILITY
 4251 CENTURY FARMS TERRACE
 NASHVILLE, TN 37013

**ALEXANDER
 METALS INC.**
 ARCHITECTURAL PRODUCT SPECIALISTS
 10705 E. HWY 100, NASHVILLE, TENNESSEE 37210
 PHONE: (615) 256-9070 FAX: (615) 256-9023
 www.AlexanderMetalsInc.com

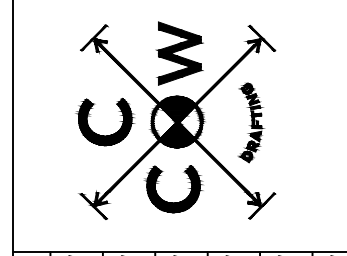


NO.	DATE	BY	REVISION
4.1	03.02.22	CCW	THIRD SUBMITTAL (INTERIOR REVISIONS)
5.1	03.31.22	CCW	FOURTH SUBMITTAL (INTERIOR REVISIONS)
6.1	06.15.22	CCW	FIFTH SUBMITTAL (CURTAINWALL FIELD MEASUREMENTS)
6.2	06.20.22	CCW	SIXTH SUBMITTAL (CURTAINWALL FIELD MEASUREMENTS)
6.3	06.22.22	CCW	SEVENTH SUBMITTAL (CURTAINWALL FIELD MEASUREMENTS)
6.4	08.30.22	CCW	EIGHTH SUBMITTAL (INTERIOR STOREFRONT FIELD MEASUREMENTS)

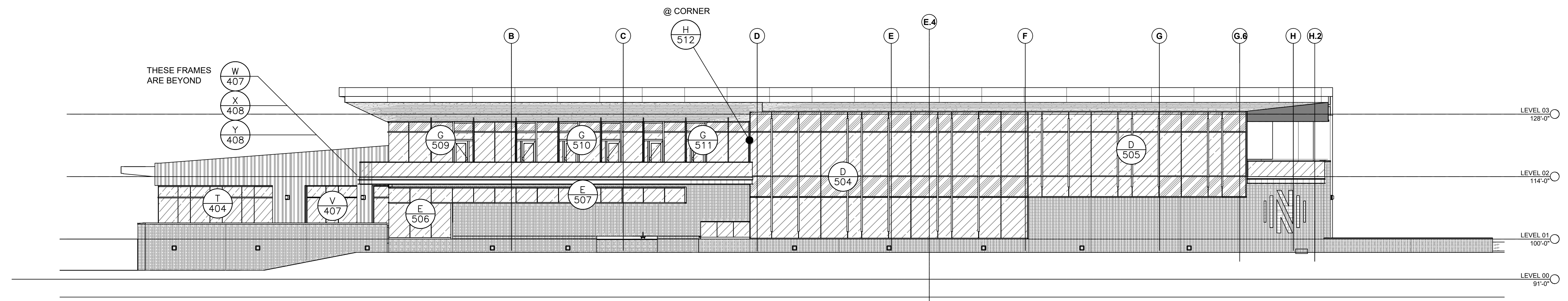
JOB NO. 4047

REV. NO.

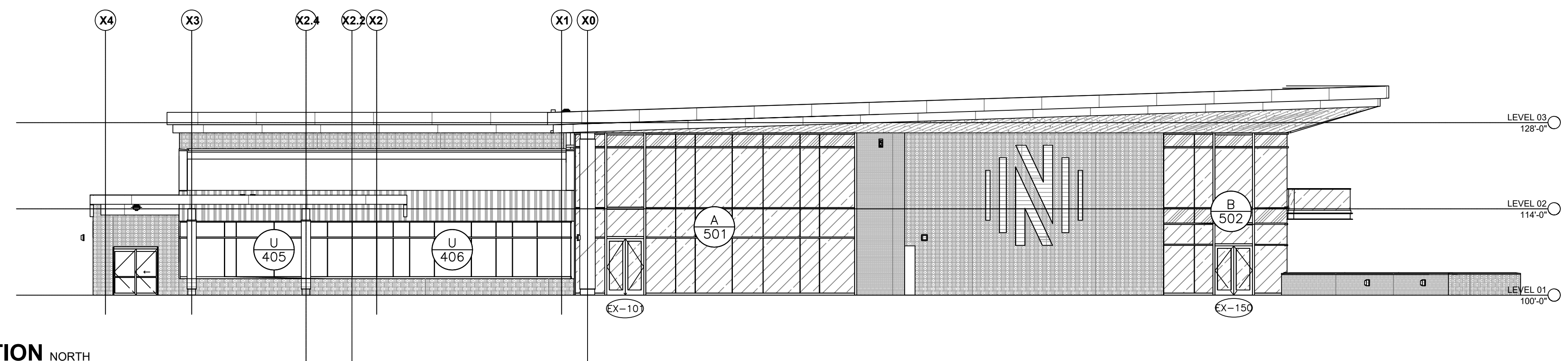
SHEET NO.:
104



NO.	DATE	REVISION
4.1	02.02.22	THIRD SUBMITTAL (INTERIOR REVISIONS)
5.1	03.31.22	FOURTH SUBMITTAL (INTERIOR REVISIONS)
6.1	06.15.22	FIFTH SUBMITTAL (CURTAINWALL FIELD MEASUREMENTS)
6.2	06.20.22	SIXTH SUBMITTAL (CURTAINWALL FIELD MEASUREMENTS)
6.3	08.22.22	SEVENTH SUBMITTAL (CURTAINWALL FIELD MEASUREMENTS)
6.4	08.30.22	EIGHTH SUBMITTAL (INTERIOR STOREFRONT FIELD MEASUREMENTS)



2 ELEVATION WEST
REF: 1 / A100



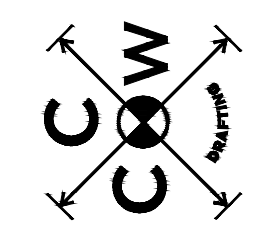
1 ELEVATION NORTH
REF: 1 / A100

1 OVERALL EXTERIOR ELEVATIONS - NORTH/WEST
ARCH. REF.: A301

SCOPE:
ALUMINUM
CURTAINWALL
STOREFRONT

PROJECT:
NASHVILLE SC TRAINING FACILITY
4251 CENTURY FARMS TERRACE
NASHVILLE, TN 37013

**ALEXANDER
METALS INC.**
ARCHITECTURAL PRODUCT SPECIALISTS
10705 GLENNDALE TOWN CENTER DRIVE
NASHVILLE, TENNESSEE 37203
PHONE: (615) 258-9070 FAX: (615) 258-9023
www.AlexanderMetalsInc.com

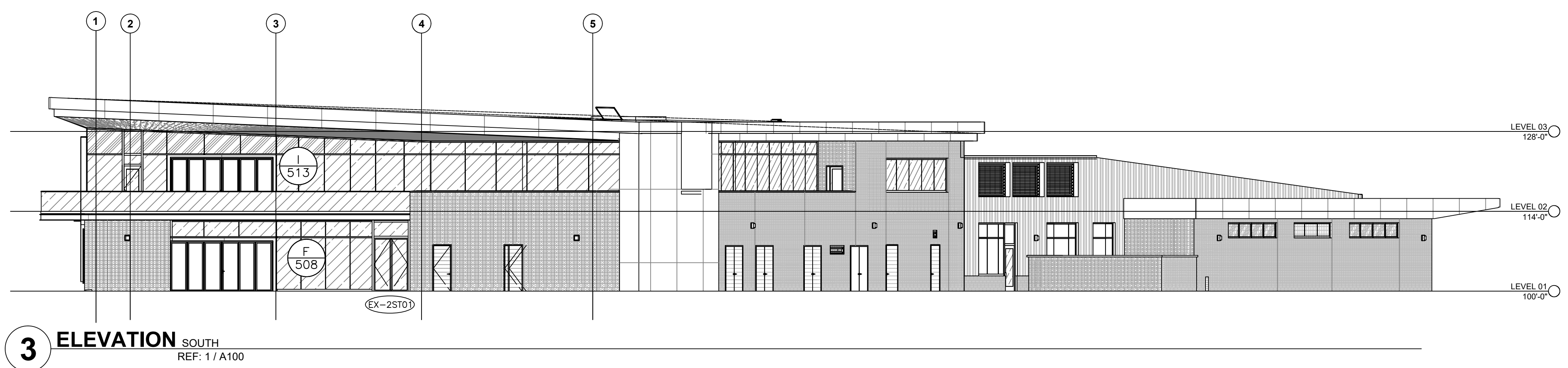
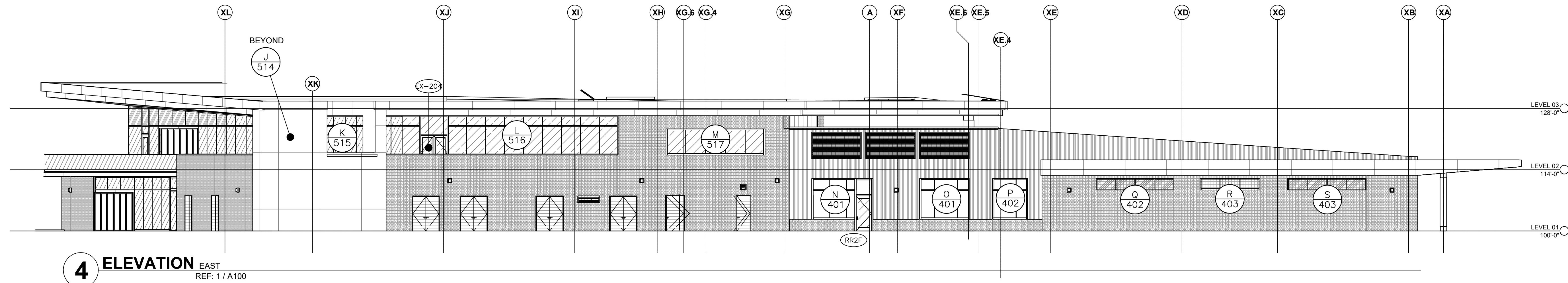


NO.	DATE	REVISION
4.1	02.22	THIRD SUBMITTAL (INTERIOR REVISIONS)
5.1	03.31.22	FOURTH SUBMITTAL (INTERIOR REVISIONS)
6.1	06.15.22	FIFTH SUBMITTAL (CURTAINWALL FIELD MEASUREMENTS)
6.2	06.20.22	SIXTH SUBMITTAL (CURTAINWALL FIELD MEASUREMENTS)
6.3	06.22.22	SEVENTH SUBMITTAL (CURTAINWALL FIELD MEASUREMENTS)
6.4	08.30.22	EIGHTH SUBMITTAL (INTERIOR STOREFRONT FIELD MEASUREMENTS)

BY: CCW

JOB NO.: 4047

REV. NO.:

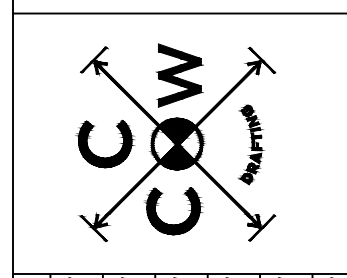


1 OVERALL EXTERIOR ELEVATIONS - SOUTH/EAST
ARCH. REF.: A301

SCOPE:
ALUMINUM
CURTAINWALL &
STOREFRONT

PROJECT:
NASHVILLE SC TRAINING FACILITY
4251 CENTURY FARMS TERRACE
NASHVILLE, TN 37013

**ALEXANDER
METALS INC.**
ARCHITECTURAL PRODUCT SPECIALISTS
10701 BELLEVUE AVENUE, NASHVILLE, TN 37210
PHONE: (615) 256-9070 FAX: (615) 256-9623
www.AlexanderMetalsInc.com

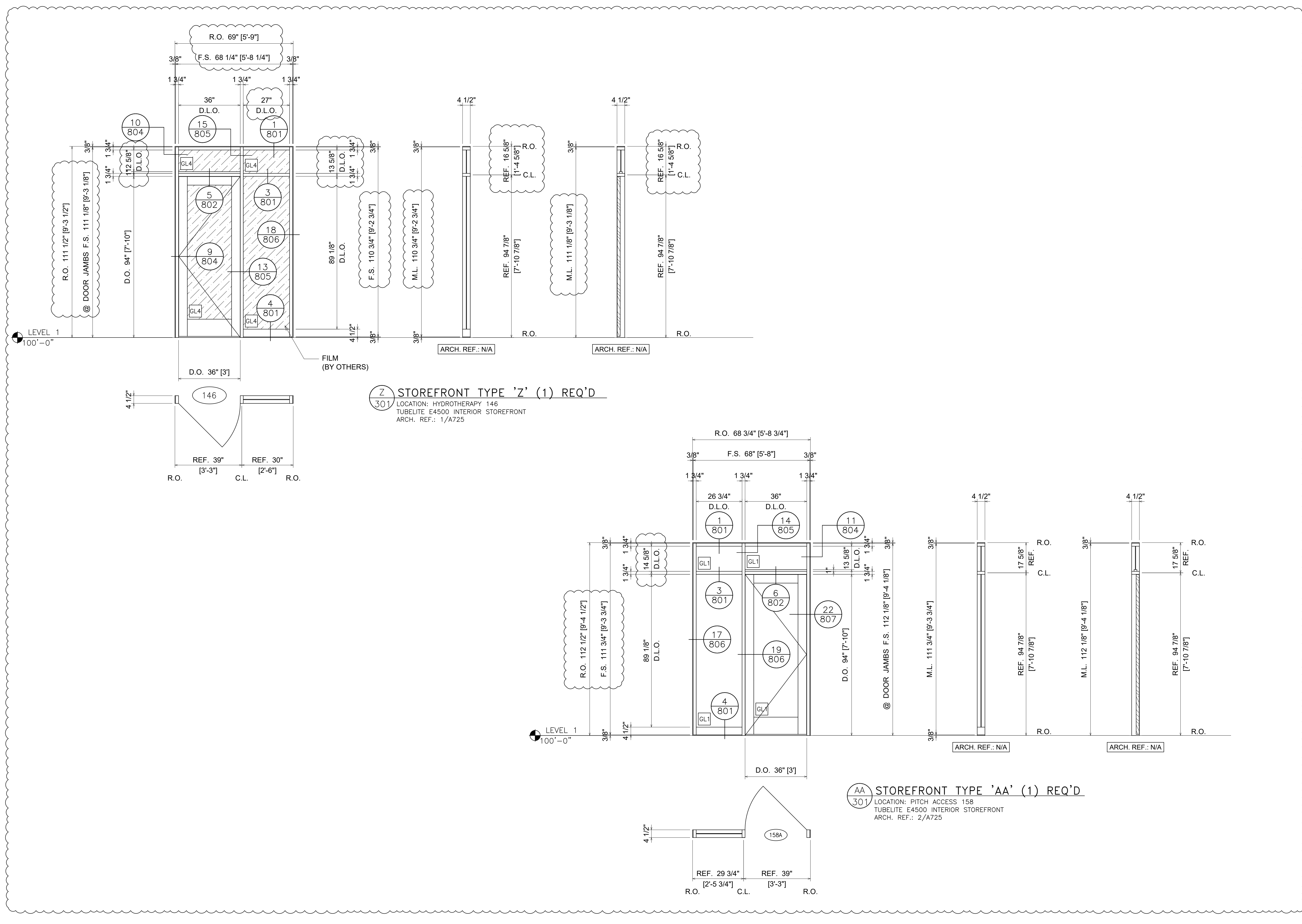


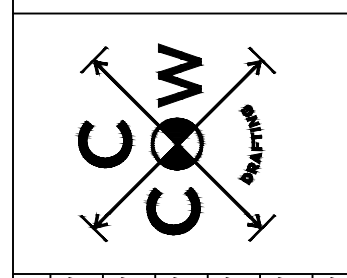
BY: CCW

NO.	DATE	REVISION
4.1	02.22	THIRD SUBMITTAL (INTERIOR REVISIONS)
5.1	03.22	FOURTH SUBMITTAL (INTERIOR REVISIONS)
6.1	06.15.22	FIFTH SUBMITTAL (CURTAINWALL FIELD MEASUREMENTS)
6.2	06.20.22	SIXTH SUBMITTAL (CURTAINWALL FIELD MEASUREMENTS)
6.3	08.22.22	SEVENTH SUBMITTAL (CURTAINWALL FIELD MEASUREMENTS)
6.4	08.30.22	EIGHTH SUBMITTAL (INTERIOR STOREFRONT FIELD MEASUREMENTS)

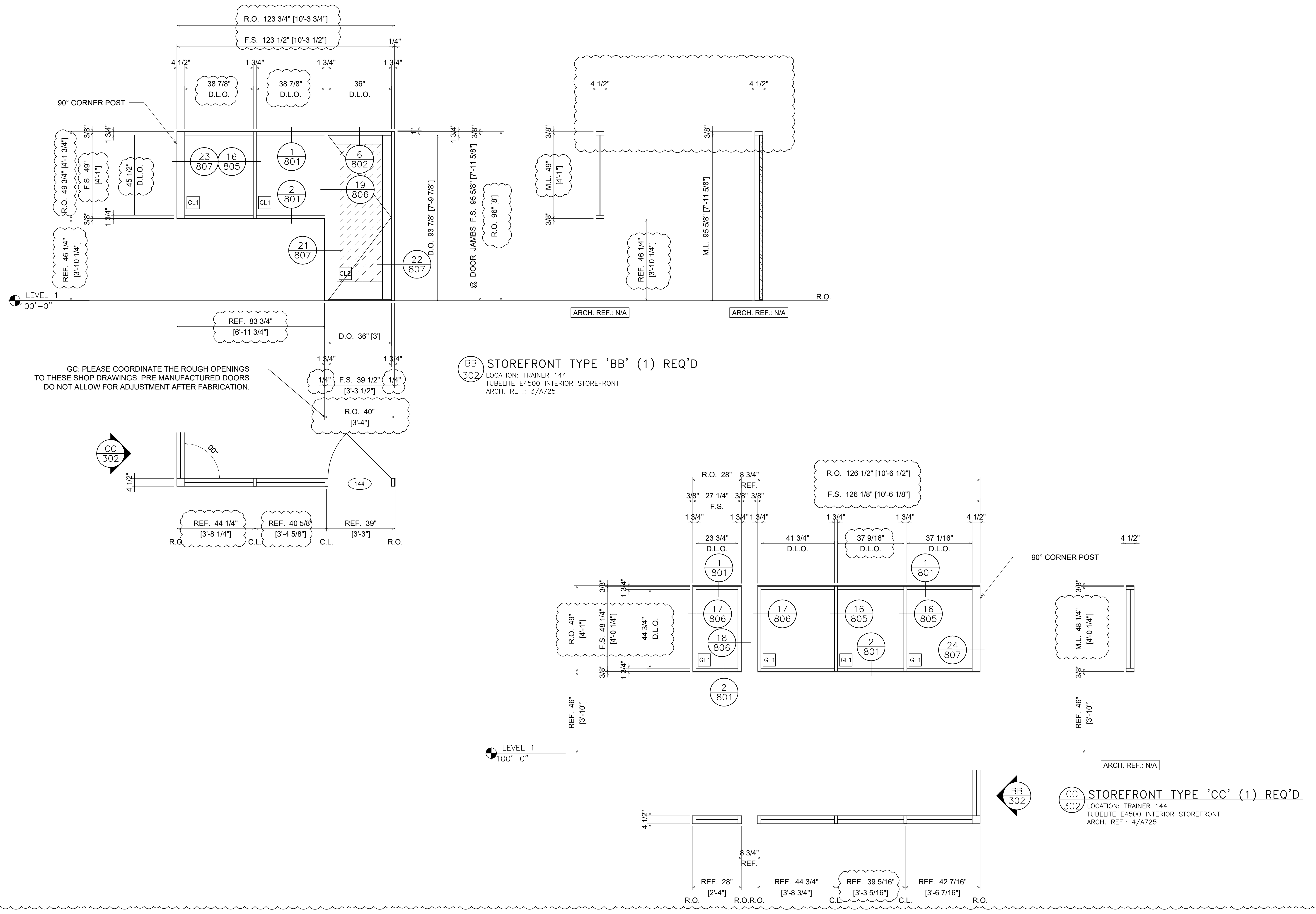
JOB NO. 4047

REV. NO.





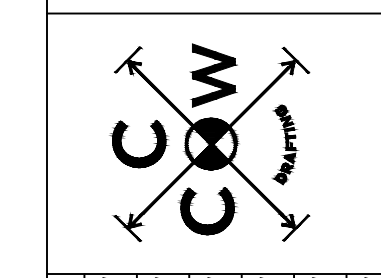
NO.	DATE	REVISION
4.1	02.22	THIRD SUBMITTAL (INTERIOR REVISIONS)
5.1	03.22	FOURTH SUBMITTAL (INTERIOR REVISIONS)
6.1	06.15.22	FIFTH SUBMITTAL (CURTAINWALL FIELD MEASUREMENTS)
6.2	06.22.22	SIXTH SUBMITTAL (CURTAINWALL FIELD MEASUREMENTS)
6.3	06.22.22	SEVENTH SUBMITTAL (CURTAINWALL FIELD MEASUREMENTS)
6.4	06.30.22	EIGHTH SUBMITTAL (INTERIOR STOREFRONT FIELD MEASUREMENTS)



SCOPE:
ALUMINUM
CURTAINWALL &
STOREFRONT

PROJECT:
NASHVILLE SC TRAINING FACILITY
4251 CENTURY FARMS TERRACE
NASHVILLE, TN 37013

ALEXANDER METALS INC.
ARCHITECTURAL PRODUCT SPECIALISTS
107 CEDAR HAVEN DRIVE, NASHVILLE, TN 37210
PHONE: (615) 256-8070 FAX: (615) 256-8223
www.AlexanderMetalsInc.com

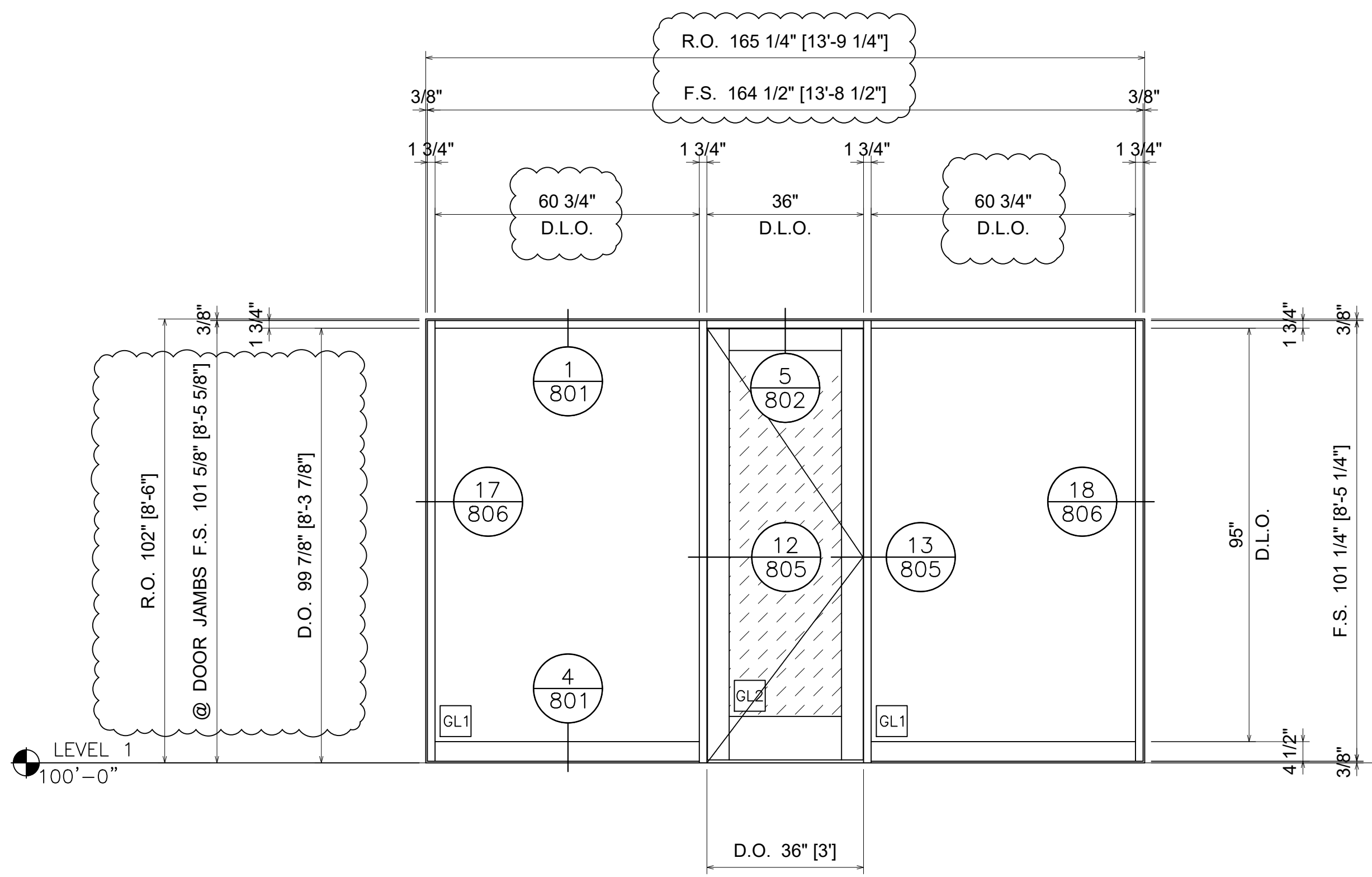


NO.	DATE	REVISION
4.1	02.22	THIRD SUBMITTAL (INTERIOR REVISIONS)
5.1	03.22	FOURTH SUBMITTAL (INTERIOR REVISIONS)
6.1	06.15.22	FIFTH SUBMITTAL (CURTAINWALL FIELD MEASUREMENTS)
6.2	06.20.22	SIXTH SUBMITTAL (CURTAINWALL FIELD MEASUREMENTS)
6.3	06.22.22	SEVENTH SUBMITTAL (CURTAINWALL FIELD MEASUREMENTS)
6.4	06.30.22	EIGHTH SUBMITTAL (INTERIOR STOREFRONT FIELD MEASUREMENTS)

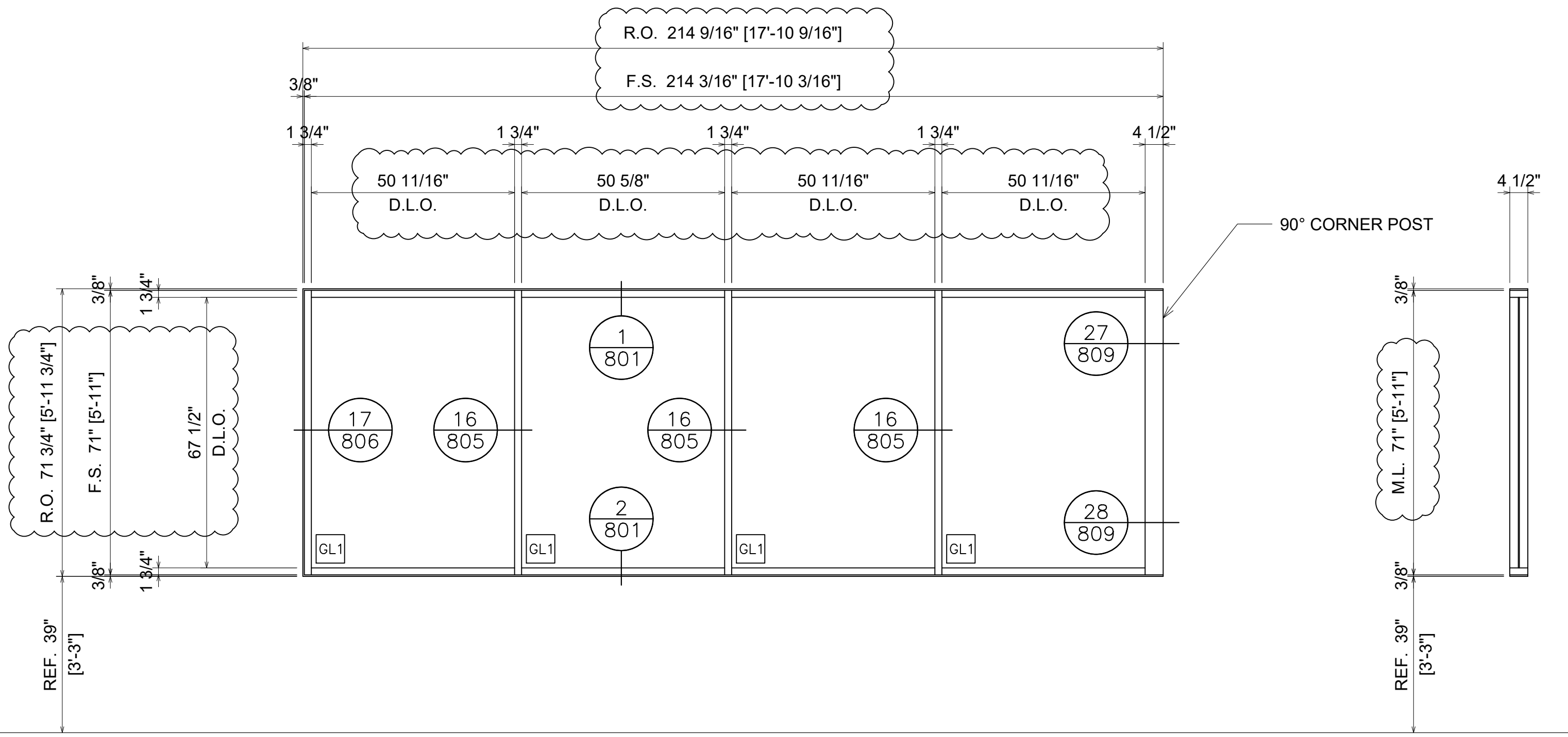
BY: CCW

JOB NO. 4047

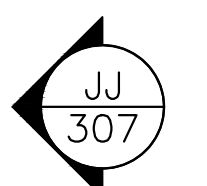
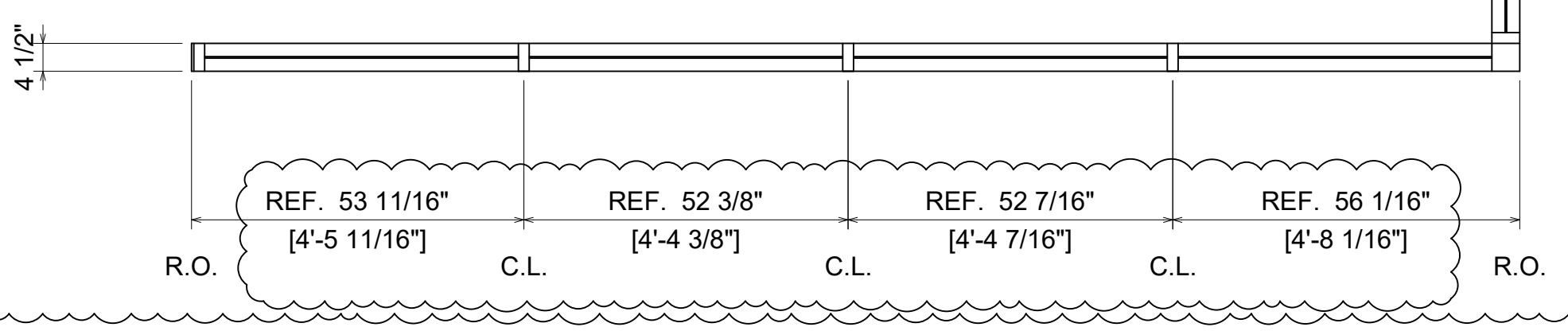
REV. NO.

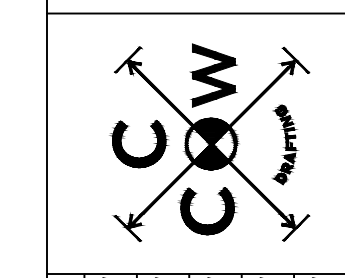


DD STOREFRONT TYPE 'DD' (1) REQ'D
LOCATION: WEIGHT ROOM 140
TUBELITE E4500 INTERIOR STOREFRONT
ARCH. REF.: 5/A725



EE STOREFRONT TYPE 'EE' (1) REQ'D
LOCATION: PERFORMANCE 142
TUBELITE E4500 INTERIOR STOREFRONT
ARCH. REF.: 6/A725





BY: CCW

THIRD SUBMITTAL (INTERIOR REVISIONS)

FOURTH SUBMITTAL (INTERIOR REVISIONS)

FIFTH SUBMITTAL (CURTAINWALL FIELD MEASUREMENTS)

SIXTH SUBMITTAL (CURTAINWALL FIELD MEASUREMENTS)

SEVENTH SUBMITTAL (CURTAINWALL FIELD MEASUREMENTS)

EIGHTH SUBMITTAL (INTERIOR STOREFRONT FIELD MEASUREMENTS)

NO. DATE

4.1 02.22

5.1 03.22

6.1 06.15.22

6.2 06.20.22

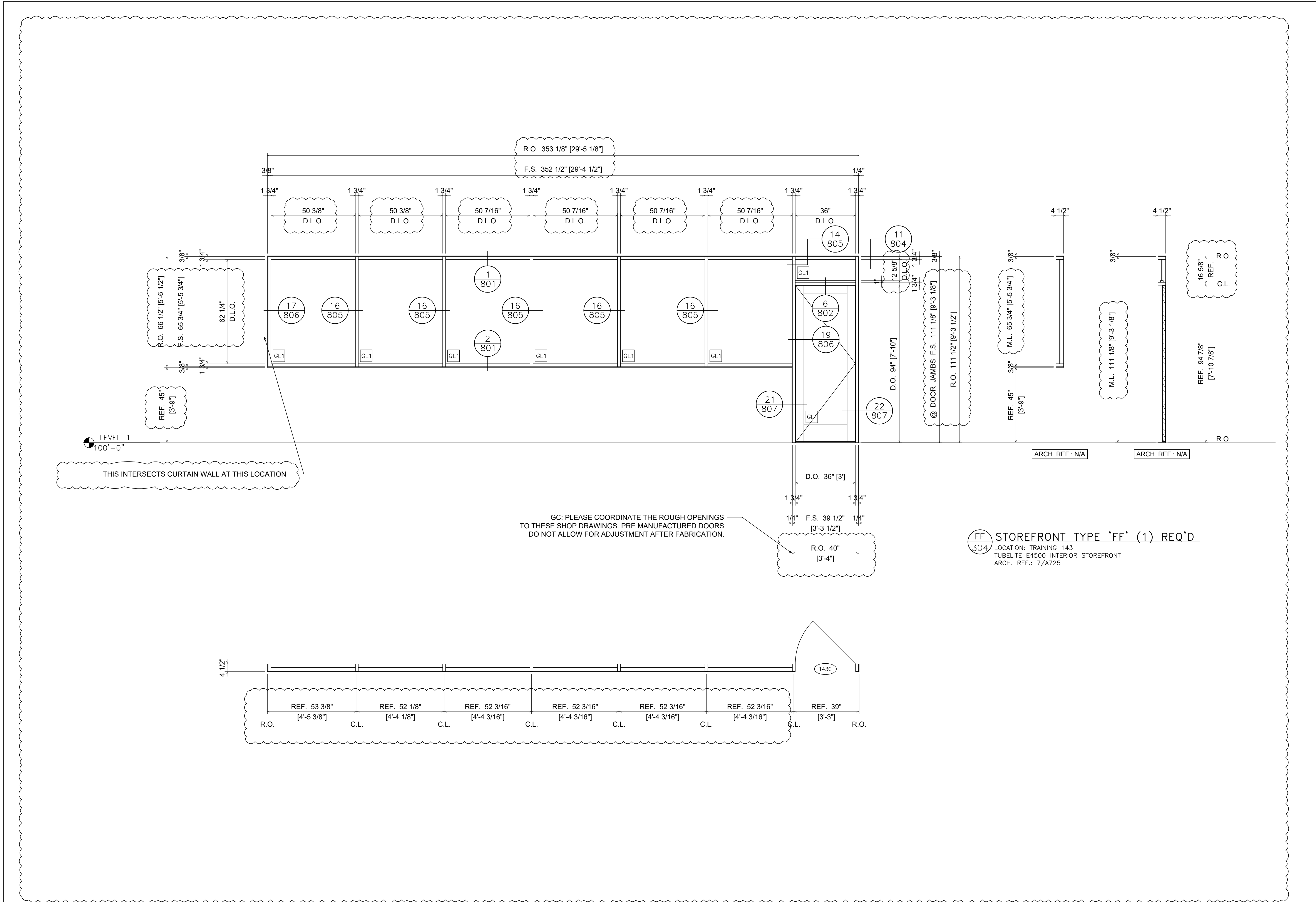
6.3 06.22.22

6.4 08.30.22

JOB NO. 4047

REV. NO.

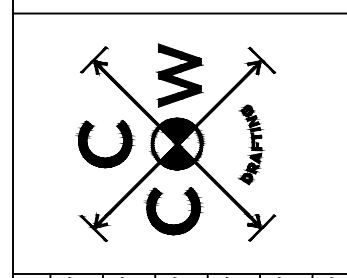
SHEET NO.:



SCOPE:
ALUMINUM
CURTAINWALL &
STOREFRONT

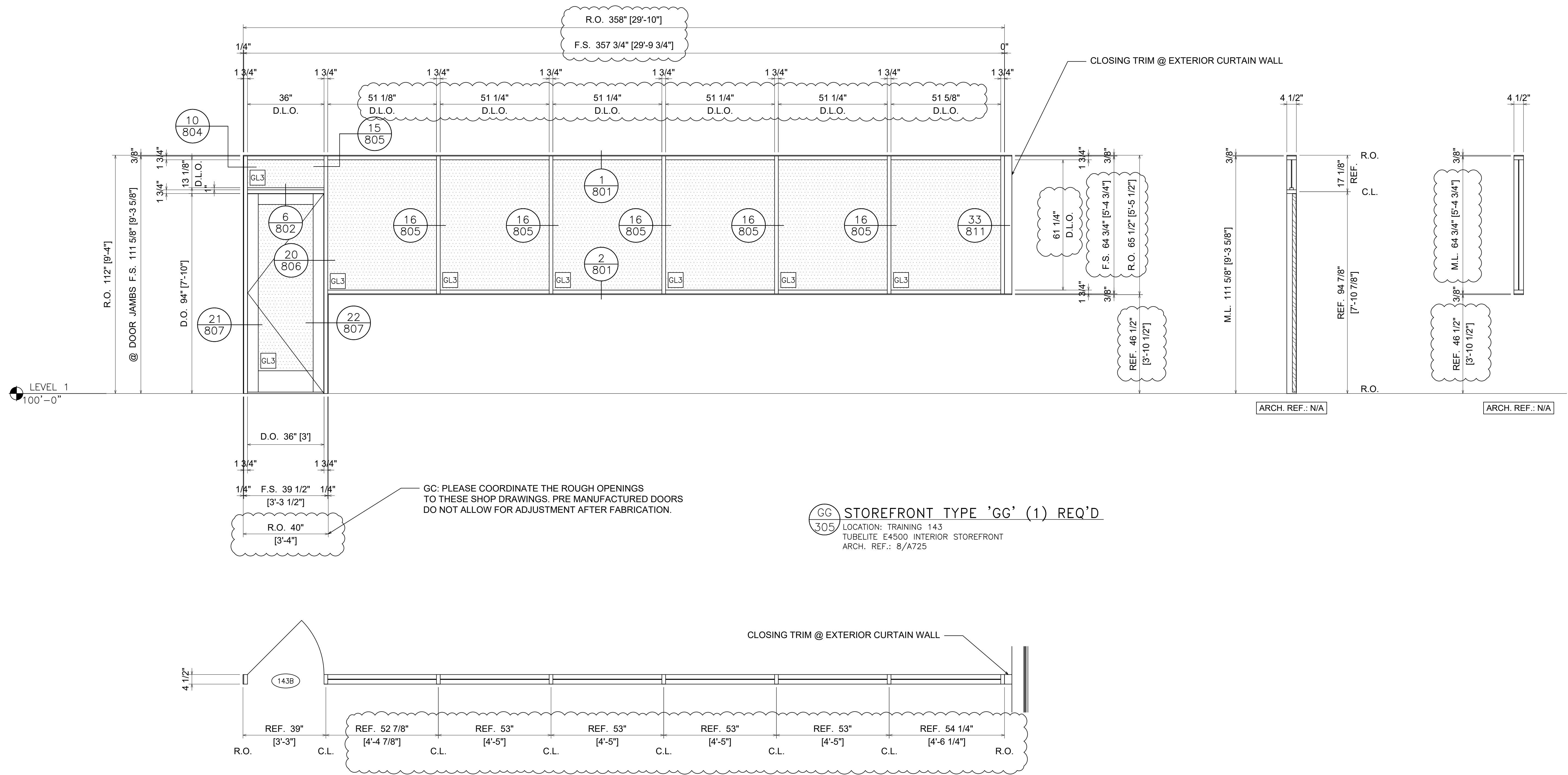
PROJECT:
NASHVILLE SC TRAINING FACILITY
4251 CENTURY FARMS TERRACE
NASHVILLE, TN 37013

**ALEXANDER
METALS INC.**
ARCHITECTURAL PRODUCT SPECIALISTS
1017 COLLETT ROAD, NASHVILLE, TENNESSEE 37217
PHONE: (615) 258-9070 FAX: (615) 258-9023
www.AlexanderMetalsInc.com



NO.	DATE	REVISION
4.1	02/22	THIRD SUBMITTAL (INTERIOR REVISIONS)
5.1	03/31/22	FOURTH SUBMITTAL (INTERIOR REVISIONS)
6.1	06/15/22	FIFTH SUBMITTAL (CURTAINWALL FIELD MEASUREMENTS)
6.2	06/20/22	SIXTH SUBMITTAL (CURTAINWALL FIELD MEASUREMENTS)
6.3	08/22/22	SEVENTH SUBMITTAL (CURTAINWALL FIELD MEASUREMENTS)
6.4	08/30/22	EIGHTH SUBMITTAL (INTERIOR STOREFRONT FIELD MEASUREMENTS)

JOB NO. 4047
REV. NO.



GC: PLEASE COORDINATE THE ROUGH OPENINGS TO THESE SHOP DRAWINGS. PRE MANUFACTURED DOORS DO NOT ALLOW FOR ADJUSTMENT AFTER FABRICATION.

GG STOREFRONT TYPE 'GG' (1) REQ'D
305 LOCATION: TRAINING 143
TUBELITE E4500 INTERIOR STOREFRONT
ARCH. REF.: 8/A725

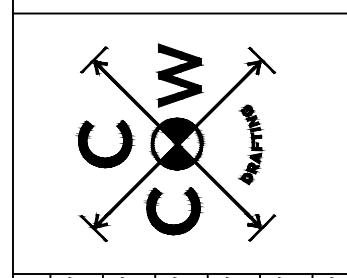
CLOSING TRIM @ EXTERIOR CURTAIN WALL

ARCH. REF.: N/A

ARCH. REF.: N/A

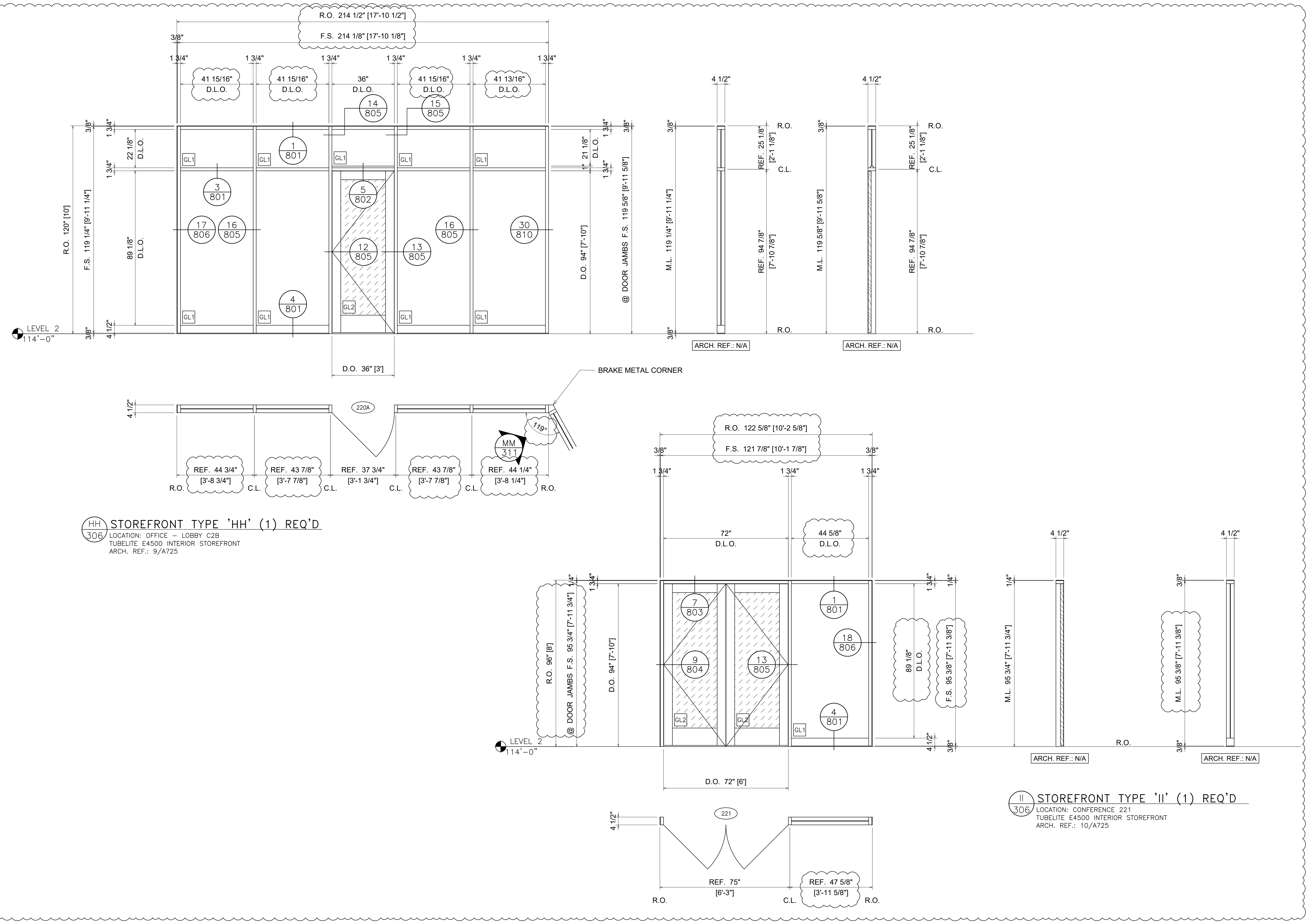
PROJECT:
NASHVILLE SC TRAINING FACILITY
4251 CENTURY FARMS TERRACE
NASHVILLE, TN 37013

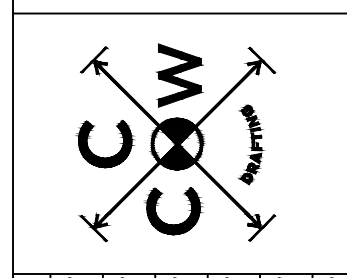
ALEXANDER METALS INC.
ARCHITECTURAL PRODUCT SPECIALISTS
10701 CENTURY FARMS TERRACE, SUITE 200
NASHVILLE, TN 37210
PHONE: (615) 256-8070 FAX: (615) 256-8223
www.AlexanderMetalsInc.com



NO.	DATE	REVISION
4.1	02.22	THIRD SUBMITTAL (INTERIOR REVISIONS)
5.1	03.22	FOURTH SUBMITTAL (INTERIOR REVISIONS)
6.1	06.15.22	FIFTH SUBMITTAL (CURTAINWALL FIELD MEASUREMENTS)
6.2	06.22.22	SIXTH SUBMITTAL (CURTAINWALL FIELD MEASUREMENTS)
6.3	06.22.22	SEVENTH SUBMITTAL (CURTAINWALL FIELD MEASUREMENTS)
6.4	08.30.22	EIGHTH SUBMITTAL (INTERIOR STOREFRONT FIELD MEASUREMENTS)

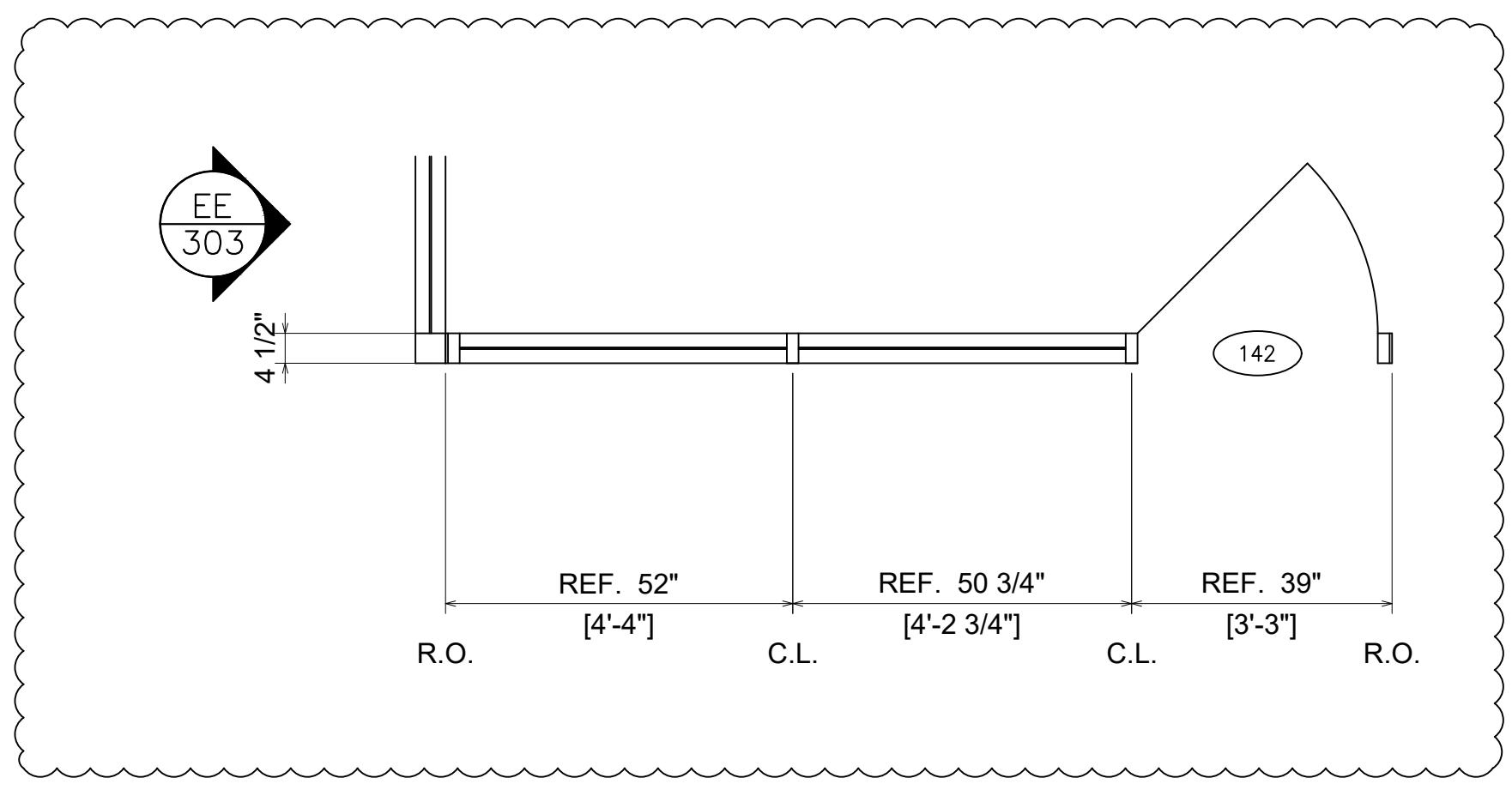
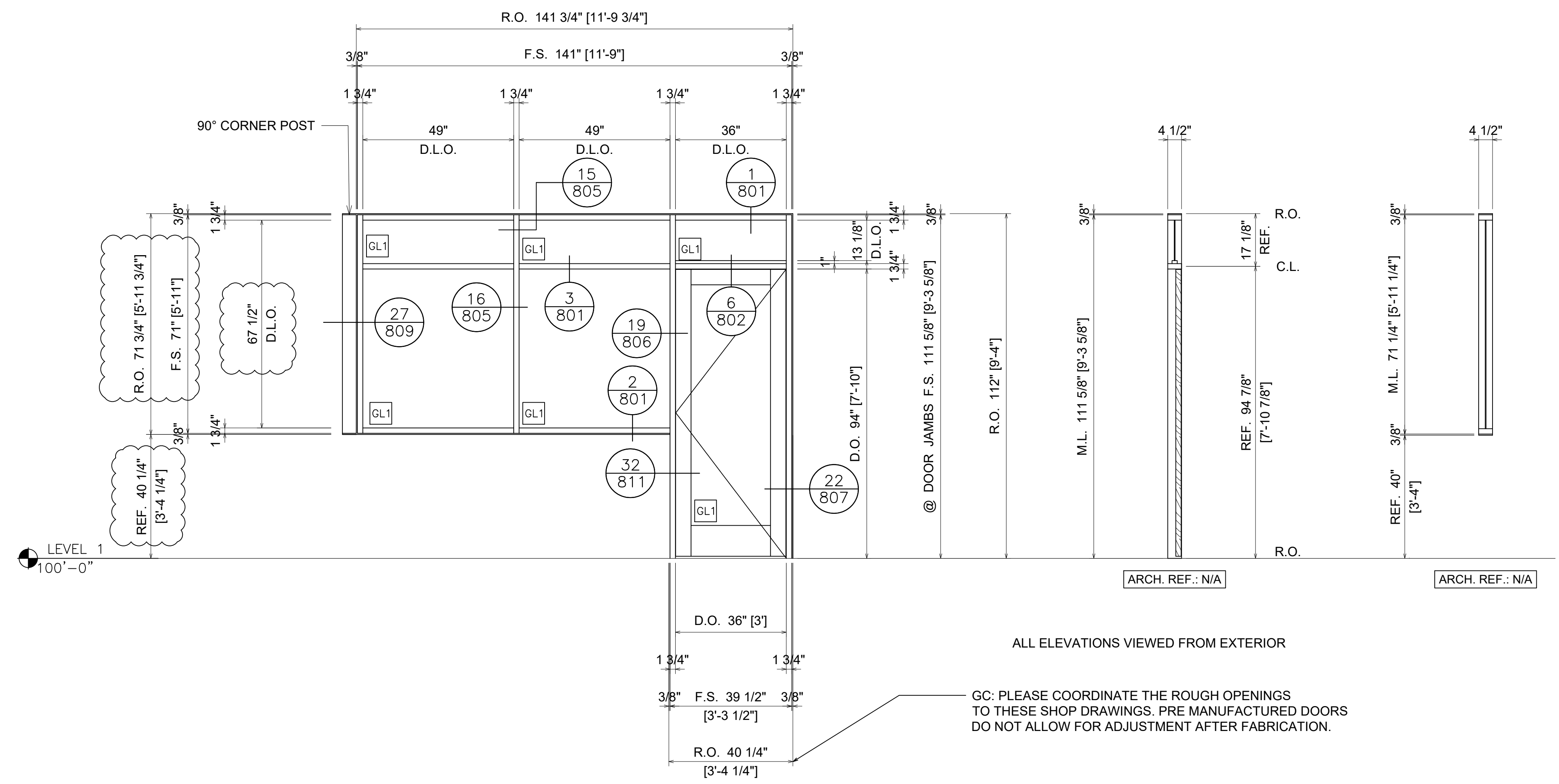
NO. DATE REVISION
JOB NO. 4047
REV. NO.





NO.	DATE	REVISION
4.1	02/22	THIRD SUBMITTAL (INTERIOR REVISIONS)
5.1	03/31/22	FOURTH SUBMITTAL (INTERIOR REVISIONS)
6.1	06/15/22	FIFTH SUBMITTAL (CURTAINWALL FIELD MEASUREMENTS)
6.2	06/20/22	SIXTH SUBMITTAL (CURTAINWALL FIELD MEASUREMENTS)
6.3	06/22/22	SEVENTH SUBMITTAL (CURTAINWALL FIELD MEASUREMENTS)
6.4	08/30/22	EIGHTH SUBMITTAL (INTERIOR STOREFRONT FIELD MEASUREMENTS)

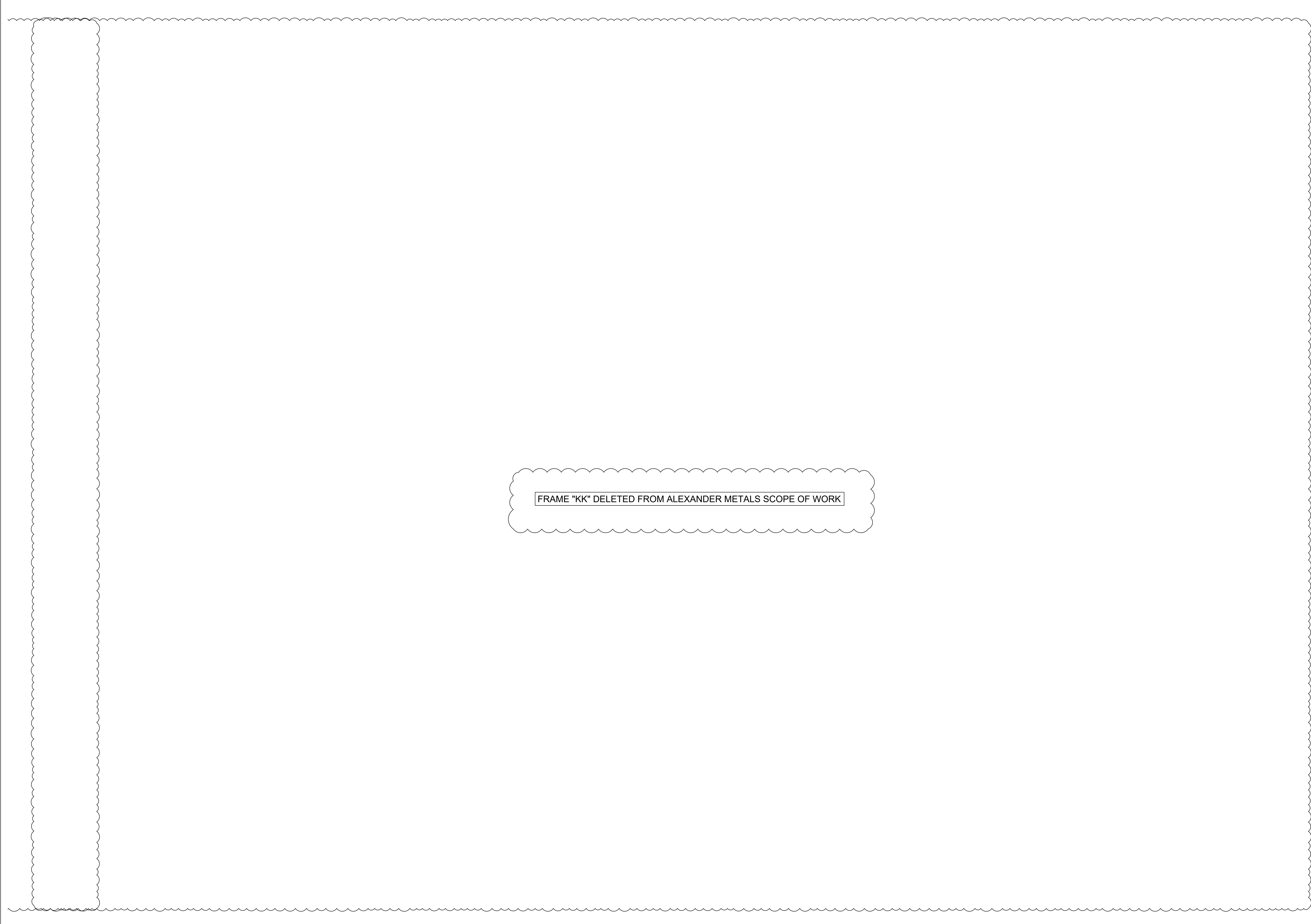
BY	CCW
REVISION	CCW
REVISION	CCW
REVISION	CCW
REVISION	CCW
REVISION	CCW
REVISION	CCW
REVISION	CCW



JJ STOREFRONT TYPE 'JJ' (1) REQ'D
LOCATION: TRAINING 143
TUBELITE E4500 INTERIOR STOREFRONT
ARCH. REF.: 11/A725

FRAME "KK" DELETED FROM ALEXANDER METALS SCOPE OF WORK

SHEET NO.:		308	
SCALE:		N.T.S.	
SCOPE:		ALUMINUM CURTAINWALL & STOREFRONT	
PROJECT:		NASHVILLE SC TRAINING FACILITY 4251 CENTURY FARMS TERRACE NASHVILLE, TN 37013	
ARCHITECTURAL PRODUCT SPECIALISTS		ALEXANDER METALS INC. ARCHITECTURAL PRODUCT SPECIALISTS 1070 GLENN AVENUE, NASHVILLE, TENNESSEE 37203 PHONE: (615) 256-9070 FAX: (615) 256-9023 www.AlexanderMetalsInc.com	
BY			
NO. DATE	SUBMITTAL / REVISION	BY	
4.1 01.02.22	THIRD SUBMITTAL (INTERIOR REVISIONS)	CCW	
5.1 03.31.22	FOURTH SUBMITTAL (INTERIOR REVISIONS)	CCW	
6.1 06.15.22	FIFTH SUBMITTAL (CURTAINWALL FIELD MEASUREMENTS)	CCW	
6.2 06.20.22	SIXTH SUBMITTAL (CURTAINWALL FIELD MEASUREMENTS)	CCW	
6.3 06.22.22	SEVENTH SUBMITTAL (CURTAINWALL FIELD MEASUREMENTS)	CCW	
6.4 08.30.22	EIGHTH SUBMITTAL (INTERIOR STOREFRONT FIELD MEASUREMENTS)	CCW	
JOB NO.	4047		
REV. NO.			
SHEET NO.:		308	

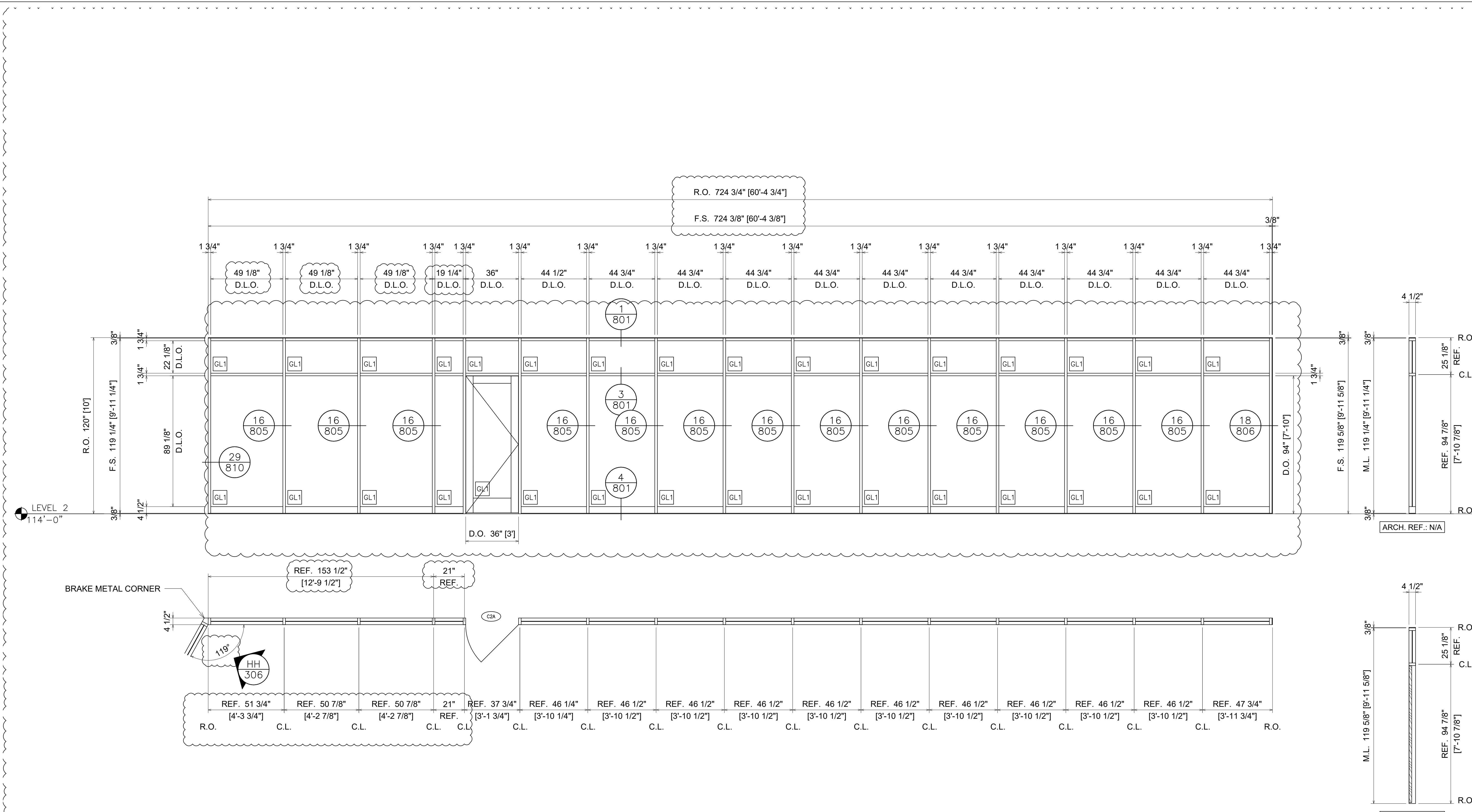


FRAME "KK" DELETED FROM ALEXANDER METALS SCOPE OF WORK

SHEET NO.:		309	
SCALE:		N.T.S.	
SCOPE:		ALUMINUM CURTAINWALL & STOREFRONT	
PROJECT:		NASHVILLE SC TRAINING FACILITY 4251 CENTURY FARMS TERRACE NASHVILLE, TN 37013	
 ALEXANDER METALS INC. ARCHITECTURAL PRODUCT SPECIALISTS 107 CEDAR HOLLOW DRIVE, NASHVILLE, TENNESSEE 37203 PHONE (615) 256-9070 FAX (615) 256-9023 www.AlexanderMetalsInc.com			
NO.	DATE	SUBMITTAL / REVISION	BY
4.1	03.02.22	THIRD SUBMITTAL (INTERIOR REVISIONS)	CCW
5.1	03.31.22	FOURTH SUBMITTAL (INTERIOR REVISIONS)	CCW
6.1	06.15.22	FIFTH SUBMITTAL (CURTAINWALL FIELD MEASUREMENTS)	CCW
6.2	06.20.22	SIXTH SUBMITTAL (CURTAINWALL FIELD MEASUREMENTS)	CCW
6.3	06.22.22	SEVENTH SUBMITTAL (CURTAINWALL FIELD MEASUREMENTS)	CCW
6.4	08.30.22	EIGHTH SUBMITTAL (INTERIOR STOREFRONT FIELD MEASUREMENTS)	CCW
JOB NO.		4047	
REV. NO.			
SHEET NO.:		309	

NO.	DATE	REVISION
4.1	01.02.22	THIRD SUBMITTAL (INTERIOR REVISIONS)
5.1	03.31.22	FOURTH SUBMITTAL (INTERIOR REVISIONS)
6.1	06.15.22	FIFTH SUBMITTAL (CURTAINWALL FIELD MEASUREMENTS)
6.2	06.20.22	SIXTH SUBMITTAL (CURTAINWALL FIELD MEASUREMENTS)
6.3	06.22.22	SEVENTH SUBMITTAL (CURTAINWALL FIELD MEASUREMENTS)
6.4	08.30.22	EIGHTH SUBMITTAL (INTERIOR STOREFRONT FIELD MEASUREMENTS)

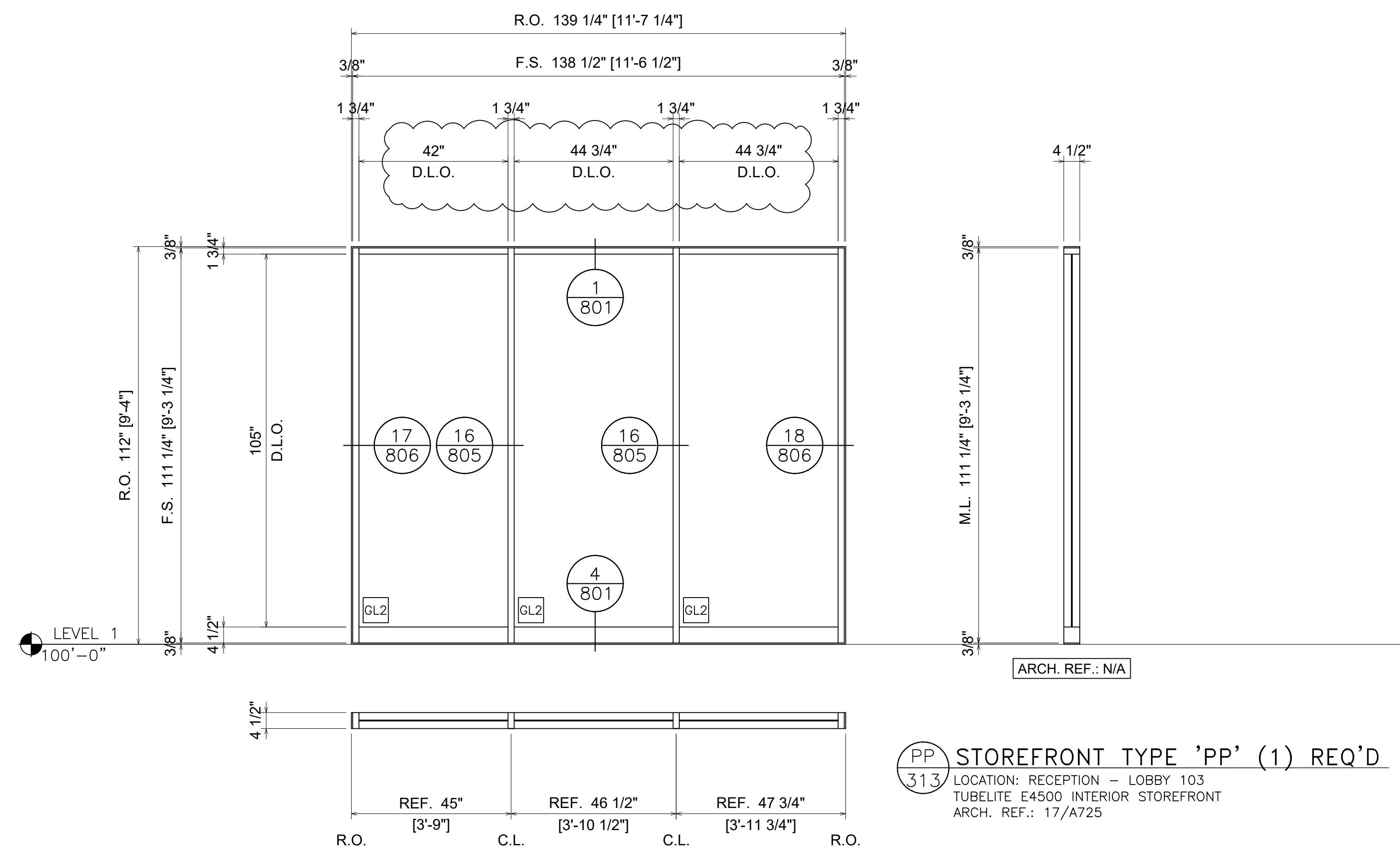
BY	CCW
REV. NO.	4047



MM STOREFRONT TYPE 'MM' (1) REQ'D
311 LOCATION: OPEN OFFICE 224
TUBELITE E4500 INTERIOR STOREFRONT
ARCH. REF.: 14/A725

FRAME "OO" DELETED FROM ALEXANDER METALS SCOPE OF WORK

A/E NOTE: PLEASE CONFIRM DIMENSIONS FROM ARCH. DRAWINGS A725 ARE R.O. & NOT FRAME DIMENSIONS.



PP 313 STOREFRONT TYPE 'PP' (1) REQ'D
 LOCATION: RECEPTION - LOBBY 103
 TUBELITE E4500 INTERIOR STOREFRONT
 ARCH. REF.: 17/A725

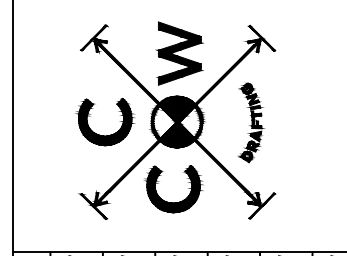
ARCH. REF.: N/A

SHEET NO.:
312
 SCALE:
 N.T.S.

SCOPE:
 ALUMINUM
 CURTAINWALL &
 STOREFRONT

PROJECT:
 NASHVILLE SC TRAINING FACILITY
 4251 CENTURY FARMS TERRACE
 NASHVILLE, TN 37013

ALEXANDER METALS INC.
 ARCHITECTURAL PRODUCT SPECIALISTS
 1017 GLENN AVENUE, NASHVILLE, TENNESSEE 37203
 PHONE: (615) 256-9070 FAX: (615) 256-9623
 www.AlexanderMetalsInc.com

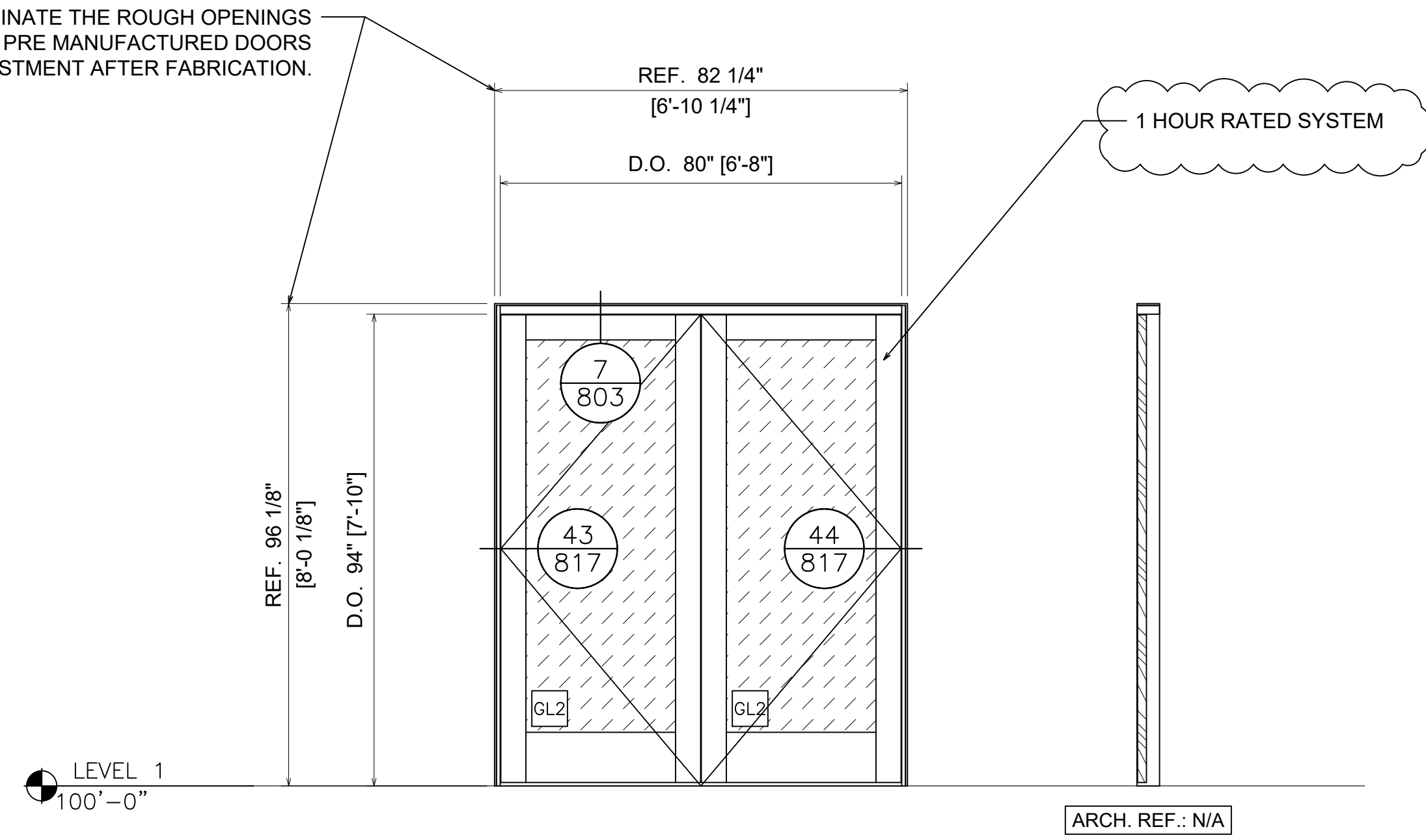


NO.	DATE	REVISION	BY
4.1	03.02.22	THIRD SUBMITTAL (INTERIOR REVISIONS)	CCW
5.1	03.31.22	FOURTH SUBMITTAL (INTERIOR REVISIONS)	CCW
6.1	06.15.22	FIFTH SUBMITTAL (CURTAINWALL FIELD MEASUREMENTS)	CCW
6.2	06.20.22	SIXTH SUBMITTAL (CURTAINWALL FIELD MEASUREMENTS)	CCW
6.3	06.22.22	SEVENTH SUBMITTAL (CURTAINWALL FIELD MEASUREMENTS)	CCW
6.4	08.30.22	EIGHTH SUBMITTAL (INTERIOR STOREFRONT FIELD MEASUREMENTS)	CCW

JOB NO. 4047
 REV. NO.

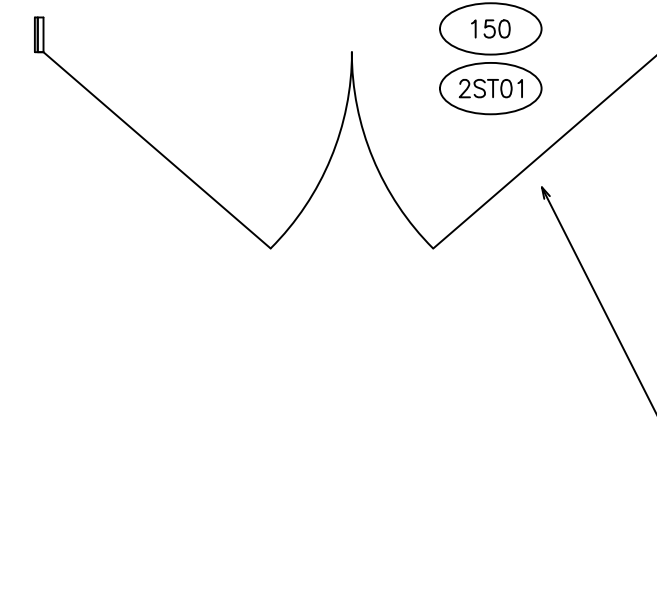
SHEET NO.:
312

GC: PLEASE COORDINATE THE ROUGH OPENINGS TO THESE SHOP DRAWINGS. PRE MANUFACTURED DOORS DO NOT ALLOW FOR ADJUSTMENT AFTER FABRICATION.



LEVEL 1
100'-0"

ARCH. REF.: N/A



QQ STOREFRONT TYPE 'QQ' (2) REQ'D

31.3 LOCATION: CORRIDOR C1A
HOLLOW METAL FRAMING (BY OTHERS)
ARCH. REF.: N/A

H.M. FRAMING BY OTHERS

SHEET NO.:

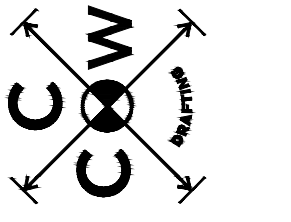
313

SCALE:
N.T.S.

SCOPE:
ALUMINUM
CURTAINWALL &
STOREFRONT

PROJECT:
NASHVILLE SC TRAINING FACILITY
4251 CENTURY FARMS TERRACE
NASHVILLE, TN 37013

**ALEXANDER
METALS INC.**
ARCHITECTURAL PRODUCT SPECIALISTS
107 CLAYTON AVENUE, NASHVILLE, TN 37203
PHONE: (615) 256-8070 FAX: (615) 256-8223
www.AlexanderMetalsInc.com



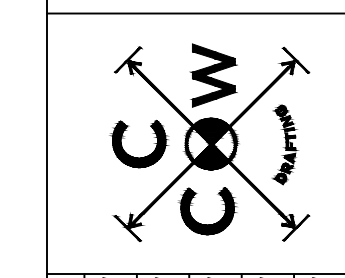
NO.	DATE	SUBMITTAL / REVISION	BY
4.1	02.02.22	THIRD SUBMITTAL (INTERIOR REVISIONS)	CCW
5.1	03.31.22	FOURTH SUBMITTAL (INTERIOR REVISIONS)	CCW
6.1	06.15.22	FIFTH SUBMITTAL (CURTAINWALL FIELD MEASUREMENTS)	CCW
6.2	06.20.22	SIXTH SUBMITTAL (CURTAINWALL FIELD MEASUREMENTS)	CCW
6.3	06.22.22	SEVENTH SUBMITTAL (CURTAINWALL FIELD MEASUREMENTS)	CCW
6.4	08.30.22	EIGHTH SUBMITTAL (INTERIOR STOREFRONT FIELD MEASUREMENTS)	CCW

JOB NO. 4047

REV. NO.

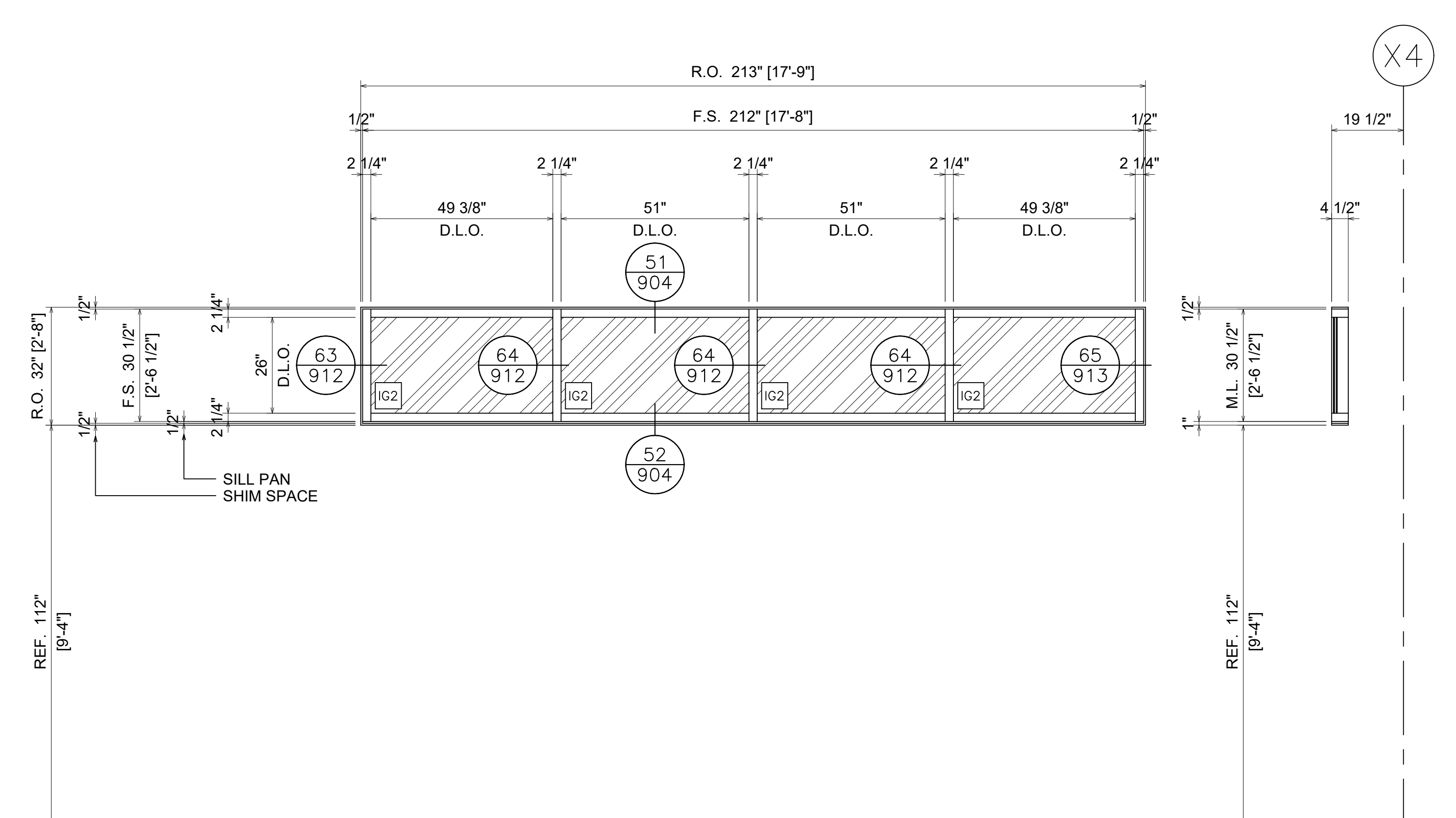
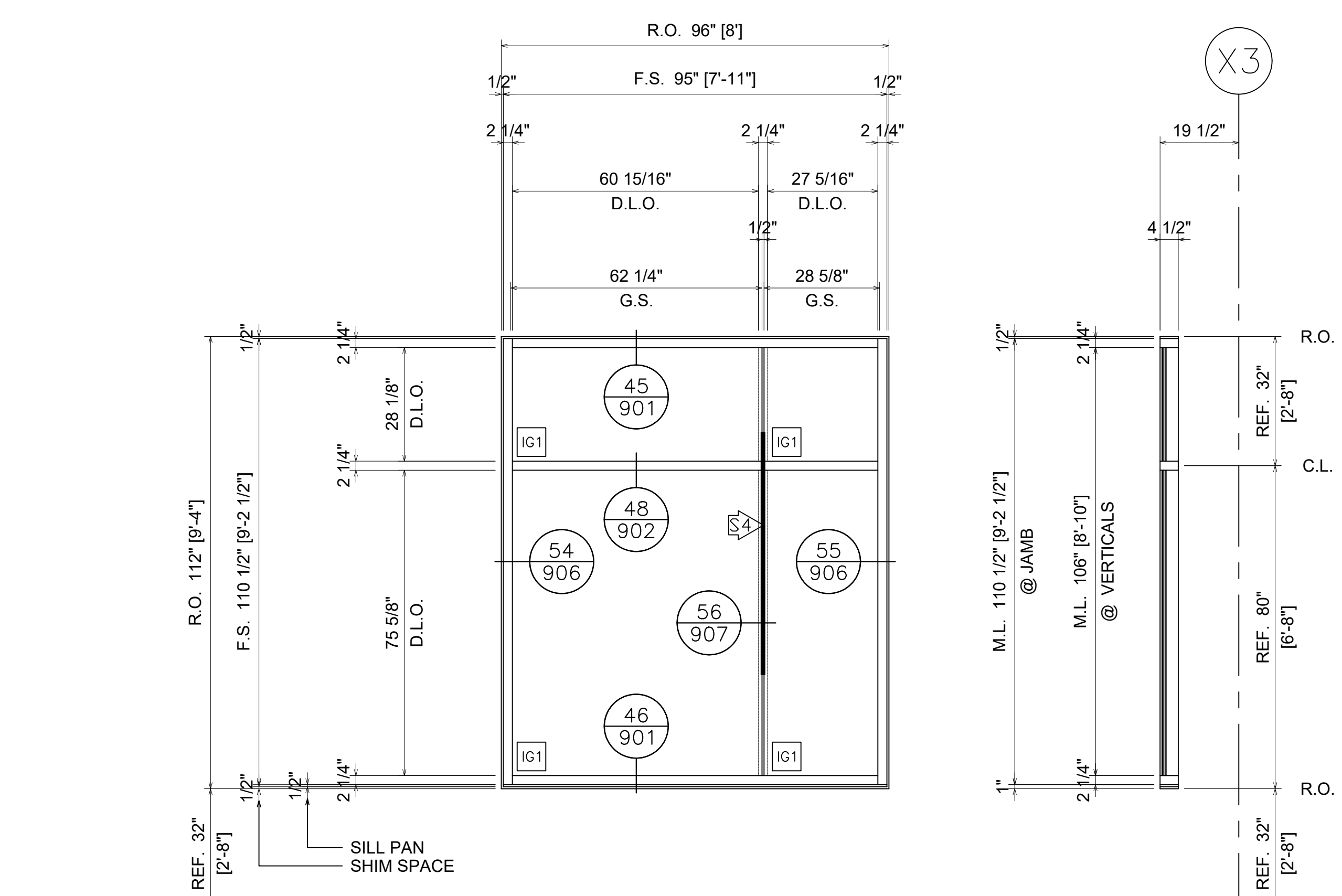
SHEET NO.:

313



NO.	DATE	REVISION
4.1	03.02.22	THIRD SUBMITTAL (INTERIOR REVISIONS)
5.1	03.31.22	FOURTH SUBMITTAL (INTERIOR REVISIONS)
6.1	06.15.22	FIFTH SUBMITTAL (CURTAINWALL FIELD MEASUREMENTS)
6.2	06.20.22	SIXTH SUBMITTAL (CURTAINWALL FIELD MEASUREMENTS)
6.3	06.22.22	SEVENTH SUBMITTAL (CURTAINWALL FIELD MEASUREMENTS)
6.4	08.30.22	EIGHTH SUBMITTAL (INTERIOR STOREFRONT FIELD MEASUREMENTS)

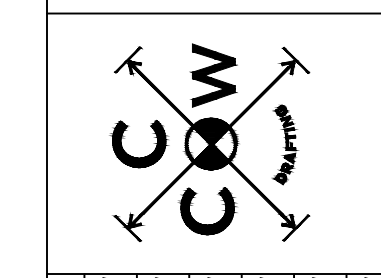
BY	REVISION
CCW	
CCW	
CCW	
CCW	
CCW	



P RIBBON WALL TYPE 'P' (1) REQ'D
401 LOCATION: CLINIC
TUBELITE 900RW THERMAL EXTERIOR RIBBON WALL
ARCH. REF.: 2/A721

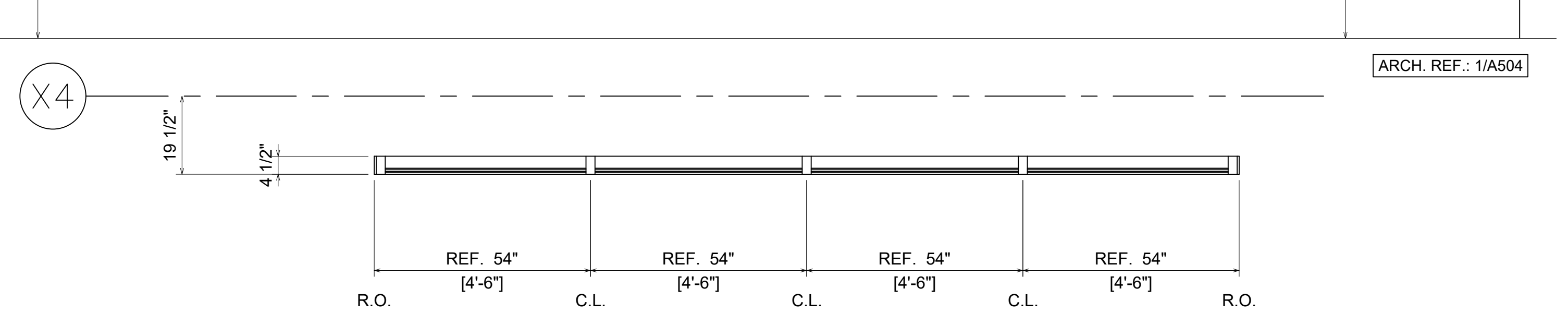
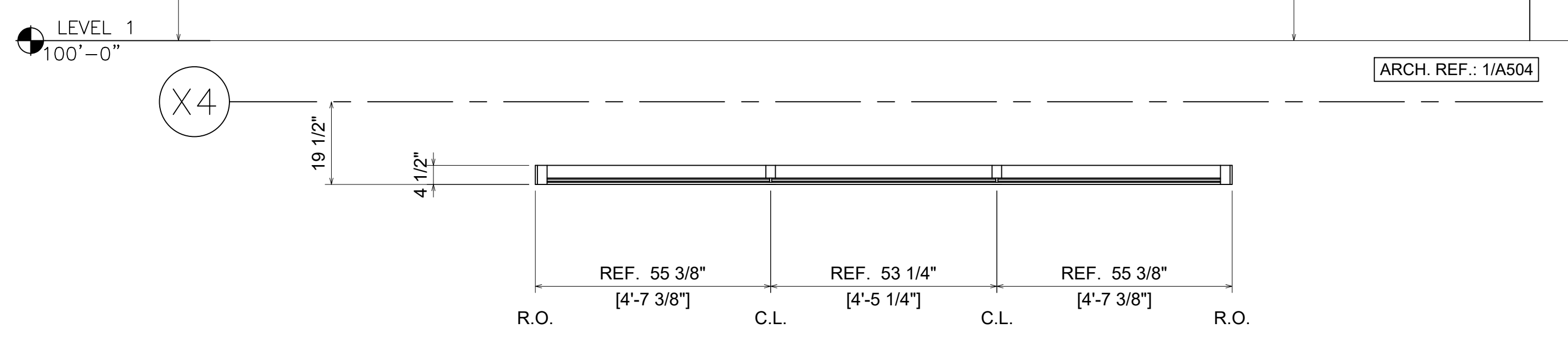
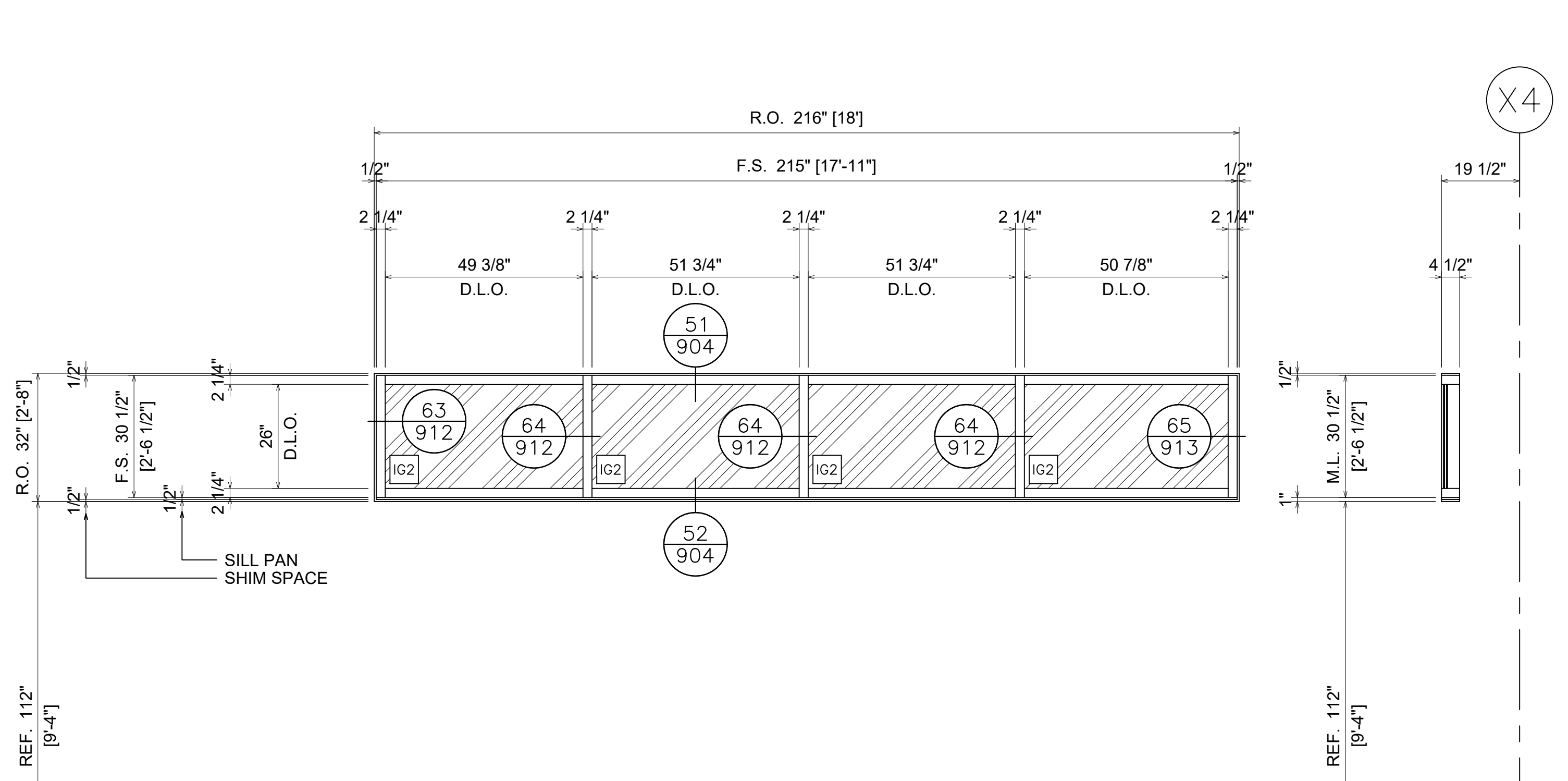
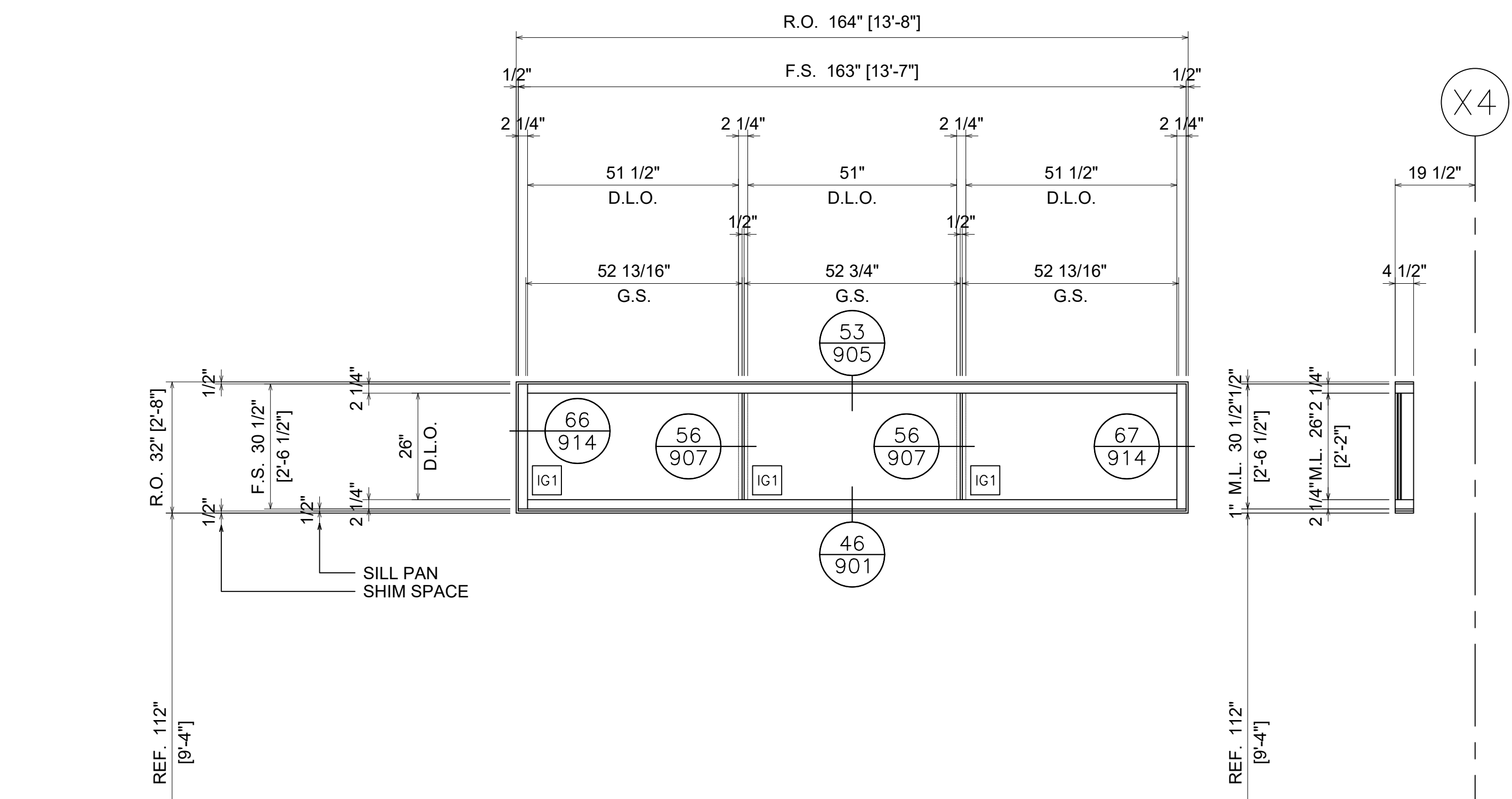
Q RIBBON WALL TYPE 'Q' (1) REQ'D
402 LOCATION: CLINIC
TUBELITE 900RW THERMAL EXTERIOR RIBBON WALL
ARCH. REF.: 3/A721

E9430 MULLION WITH 1/2" X 2" STEEL BAR (<5'-0" LENGTH)
LOCATED 25" TO 85" FROM THE BOTTOM OF THE MULLION



NO.	DATE	REVISION
4.1	03.02.22	THIRD SUBMITTAL (INTERIOR REVISIONS)
5.1	03.31.22	FOURTH SUBMITTAL (INTERIOR REVISIONS)
6.1	06.15.22	FIFTH SUBMITTAL (CURTAINWALL FIELD MEASUREMENTS)
6.2	06.20.22	SIXTH SUBMITTAL (CURTAINWALL FIELD MEASUREMENTS)
6.3	08.22.22	SEVENTH SUBMITTAL (CURTAINWALL FIELD MEASUREMENTS)
6.4	08.30.22	EIGHTH SUBMITTAL (INTERIOR STOREFRONT FIELD MEASUREMENTS)

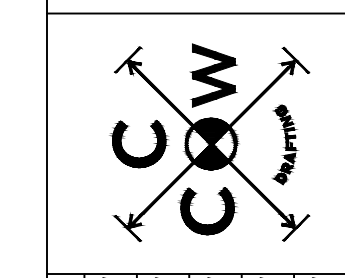
JOB NO. 4047
REV. NO.



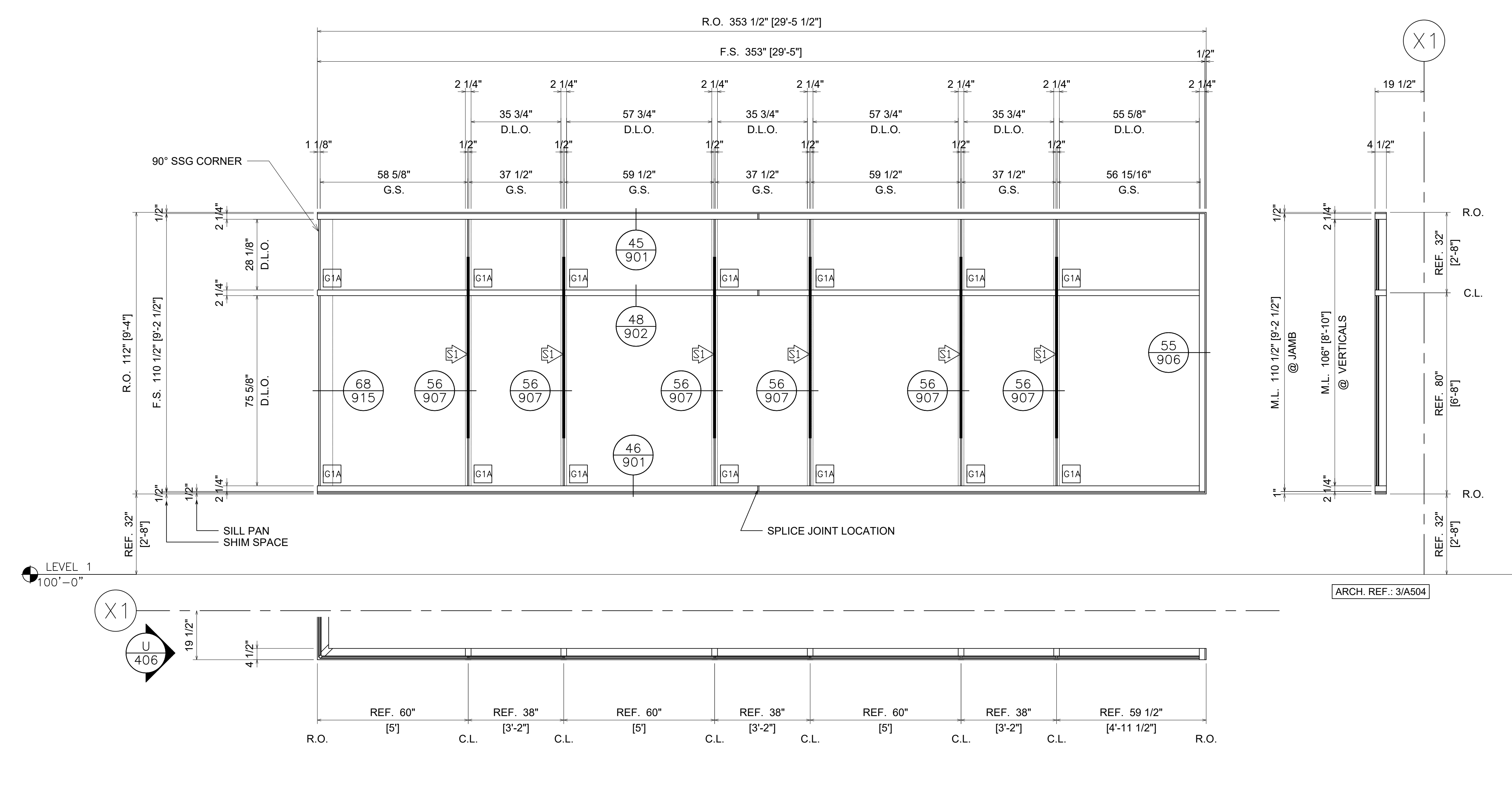
R RIBBON WALL TYPE 'R' (1) REQ'D
403 LOCATION: CLINIC
TUBELITE 900RW THERMAL EXTERIOR RIBBON WALL
ARCH. REF.: 4/A721

S RIBBON WALL TYPE 'S' (1) REQ'D
403 LOCATION: CLINIC
TUBELITE 900RW THERMAL EXTERIOR RIBBON WALL
ARCH. REF.: 5/A721

LEVEL 1
100'-0"



NO.	DATE	REVISION
4.1	02/22	THIRD SUBMITTAL (INTERIOR REVISIONS)
5.1	03/12	FOURTH SUBMITTAL (INTERIOR REVISIONS)
6.1	06/15/22	FIFTH SUBMITTAL (CURTAINWALL FIELD MEASUREMENTS)
6.2	06/20/22	SIXTH SUBMITTAL (CURTAINWALL FIELD MEASUREMENTS)
6.3	06/22/22	SEVENTH SUBMITTAL (CURTAINWALL FIELD MEASUREMENTS)
6.4	08/30/22	EIGHTH SUBMITTAL (INTERIOR STOREFRONT FIELD MEASUREMENTS)



T
404 RIBBON WALL TYPE 'T' (1) REQ'D
LOCATION: CLINIC
TUBELITE 900RW THERMAL EXTERIOR RIBBON WALL
ARCH. REF.: 6/A721

E1 E9430 MULLION WITH 1/2 X 2 STEEL BAR (6'-0 LENGTH)
LOCATED 19 TO 91 FROM THE BOTTOM OF THE MULLION

LEVEL 1
100'-0"

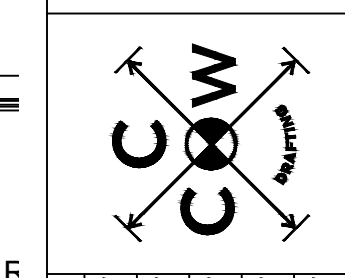
X1
U
406

ARCH. REF.: 3/A504

SCOPE:
ALUMINUM
CURTAINWALL &
STOREFRONT

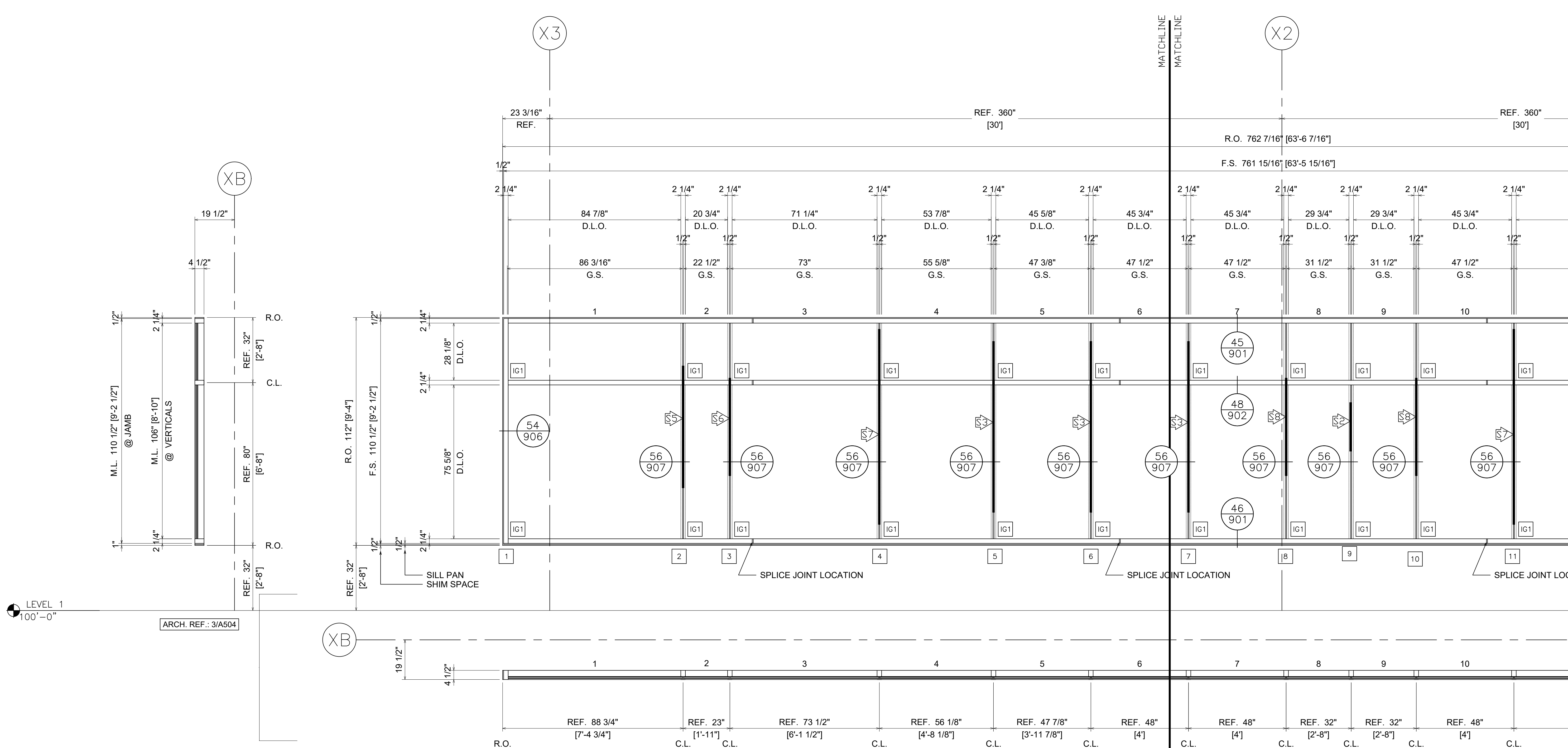
PROJECT:
NASHVILLE SC TRAINING FACILITY
4251 CENTURY FARMS TERRACE
NASHVILLE, TN 37013

**ALEXANDER
METALS INC.**
ARCHITECTURAL PRODUCT SPECIALISTS
407 CLAYTON AVENUE, NASHVILLE, TENNESSEE 37203
PHONE: (615) 256-9070 FAX: (615) 256-9023
www.AlexanderMetalsInc.com



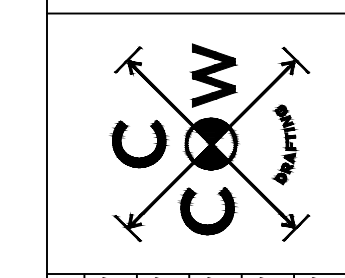
NO.	DATE	BY	REVISION
4.1	02/22	CCW	THIRD SUBMITTAL (INTERIOR REVISIONS)
5.1	03/22	CCW	FOURTH SUBMITTAL (INTERIOR REVISIONS)
6.1	06/15/22	CCW	FIFTH SUBMITTAL (CURTAINWALL FIELD MEASUREMENTS)
6.2	06/20/22	CCW	SIXTH SUBMITTAL (CURTAINWALL FIELD MEASUREMENTS)
6.3	06/22/22	CCW	SEVENTH SUBMITTAL (CURTAINWALL FIELD MEASUREMENTS)
6.4	08/30/22	CCW	EIGHTH SUBMITTAL (INTERIOR STOREFRONT FIELD MEASUREMENTS)

REV. NO. 4047



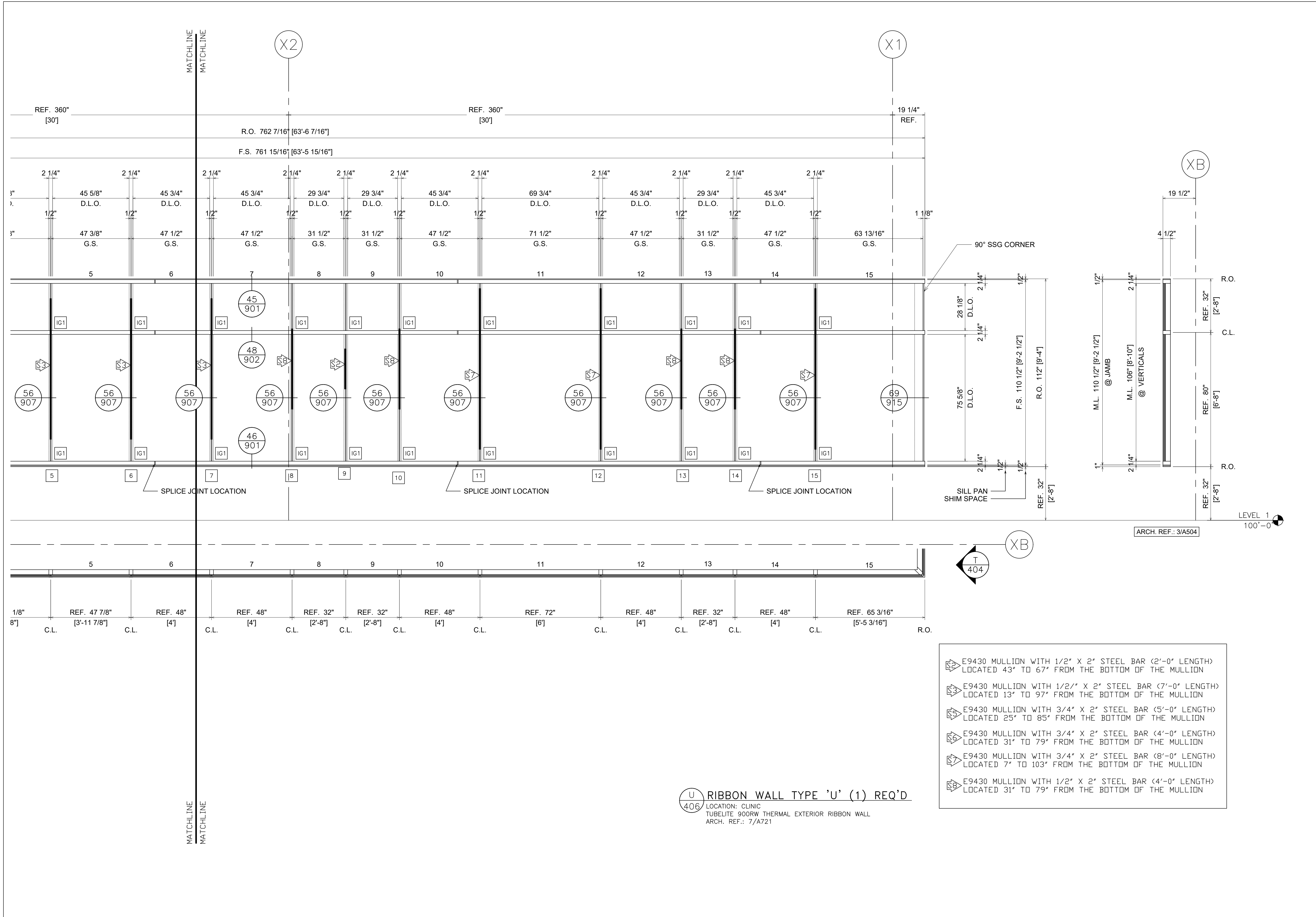
- Ⓢ E9430 MULLION WITH 1/2" X 2" STEEL BAR (2'-0" LENGTH) LOCATED 43' TO 67' FROM THE BOTTOM OF THE MULLION
- Ⓢ E9430 MULLION WITH 1/2" X 2" STEEL BAR (7'-0" LENGTH) LOCATED 13' TO 97' FROM THE BOTTOM OF THE MULLION
- Ⓢ E9430 MULLION WITH 3/4" X 2" STEEL BAR (5'-0" LENGTH) LOCATED 25' TO 85' FROM THE BOTTOM OF THE MULLION
- Ⓢ E9430 MULLION WITH 3/4" X 2" STEEL BAR (4'-0" LENGTH) LOCATED 31' TO 79' FROM THE BOTTOM OF THE MULLION
- Ⓢ E9430 MULLION WITH 3/4" X 2" STEEL BAR (8'-0" LENGTH) LOCATED 7' TO 103' FROM THE BOTTOM OF THE MULLION
- Ⓢ E9430 MULLION WITH 1/2" X 2" STEEL BAR (4'-0" LENGTH) LOCATED 31' TO 79' FROM THE BOTTOM OF THE MULLION

U RIBBON WALL TYPE 'U' (1) REQ'D
405 LOCATION: CLINIC
TUBELITE 900RW THERMAL EXTERIOR RIBBON WALL
ARCH. REF.: 7/A721



NO.	DATE	BY	REVISION
4.1	03/22	ECW	THIRD SUBMITTAL (INTERIOR REVISIONS)
5.1	03/22	ECW	FOURTH SUBMITTAL (INTERIOR REVISIONS)
6.1	06/15/22	ECW	FIFTH SUBMITTAL (CURTAINWALL FIELD MEASUREMENTS)
6.2	06/22/22	ECW	SIXTH SUBMITTAL (CURTAINWALL FIELD MEASUREMENTS)
6.3	06/22/22	ECW	SEVENTH SUBMITTAL (CURTAINWALL FIELD MEASUREMENTS)
6.4	08/30/22	ECW	EIGHTH SUBMITTAL (INTERIOR STOREFRONT FIELD MEASUREMENTS)

REV. NO. 4047



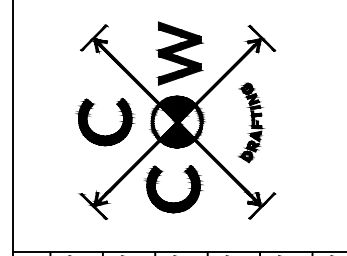
- ⚠ E9430 MULLION WITH 1/2" X 2" STEEL BAR (2'-0" LENGTH) LOCATED 43" TO 67" FROM THE BOTTOM OF THE MULLION
- ⚠ E9430 MULLION WITH 1/2" X 2" STEEL BAR (7'-0" LENGTH) LOCATED 13" TO 97" FROM THE BOTTOM OF THE MULLION
- ⚠ E9430 MULLION WITH 3/4" X 2" STEEL BAR (5'-0" LENGTH) LOCATED 25" TO 85" FROM THE BOTTOM OF THE MULLION
- ⚠ E9430 MULLION WITH 3/4" X 2" STEEL BAR (4'-0" LENGTH) LOCATED 31" TO 79" FROM THE BOTTOM OF THE MULLION
- ⚠ E9430 MULLION WITH 3/4" X 2" STEEL BAR (8'-0" LENGTH) LOCATED 7" TO 103" FROM THE BOTTOM OF THE MULLION
- ⚠ E9430 MULLION WITH 1/2" X 2" STEEL BAR (4'-0" LENGTH) LOCATED 31" TO 79" FROM THE BOTTOM OF THE MULLION

U
406 RIBBON WALL TYPE 'U' (1) REQ'D
LOCATION: CLINIC
TUBELITE 900RW THERMAL EXTERIOR RIBBON WALL
ARCH. REF.: 7/A721

SCOPE:
ALUMINUM
CURTAINWALL &
STOREFRONT

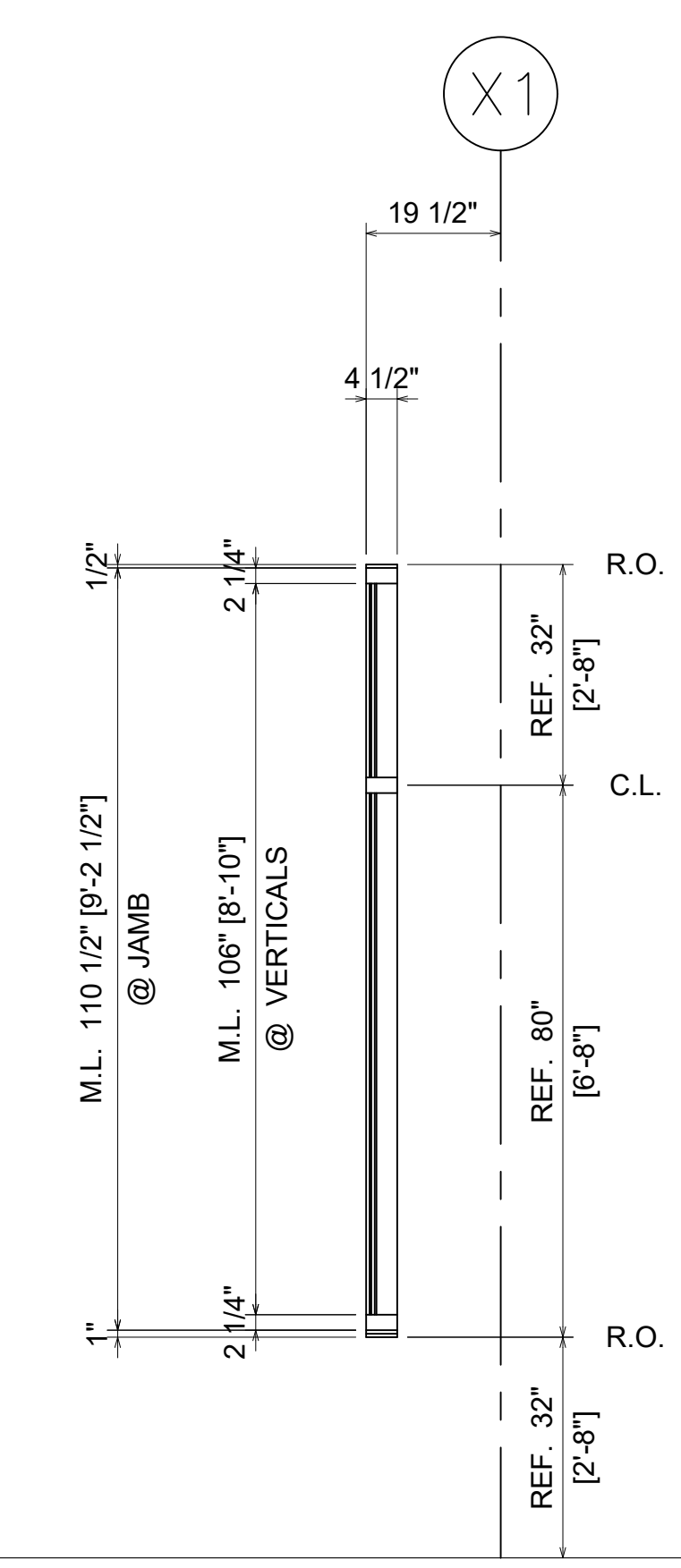
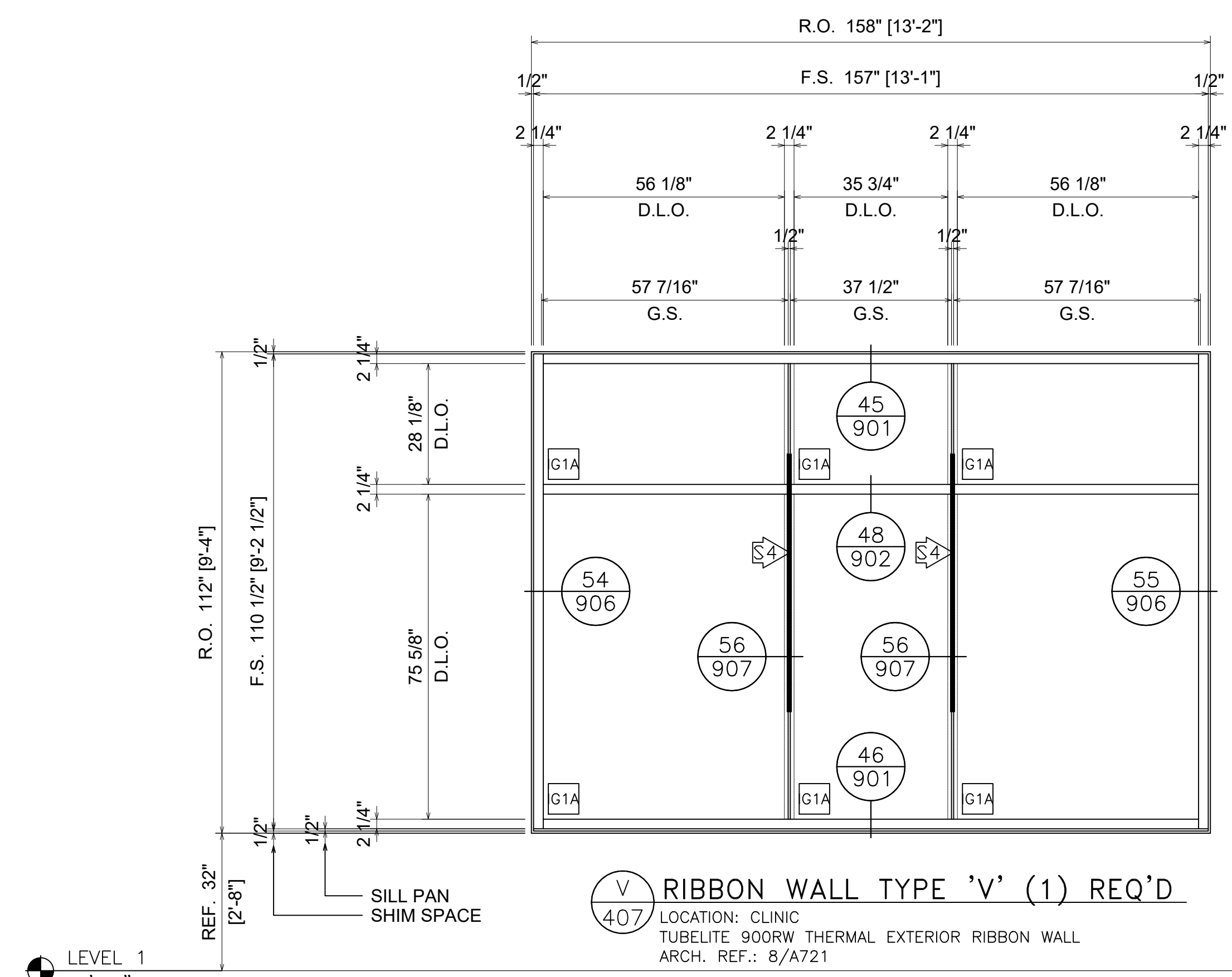
PROJECT:
NASHVILLE SC TRAINING FACILITY
4251 CENTURY FARMS TERRACE
NASHVILLE, TN 37013

ALEXANDER METALS INC.
ARCHITECTURAL PRODUCT SPECIALISTS
407 GLENN AVENUE, NASHVILLE, TENNESSEE 37203
PHONE: (615) 256-8070 FAX: (615) 256-8623
www.AlexanderMetalsInc.com



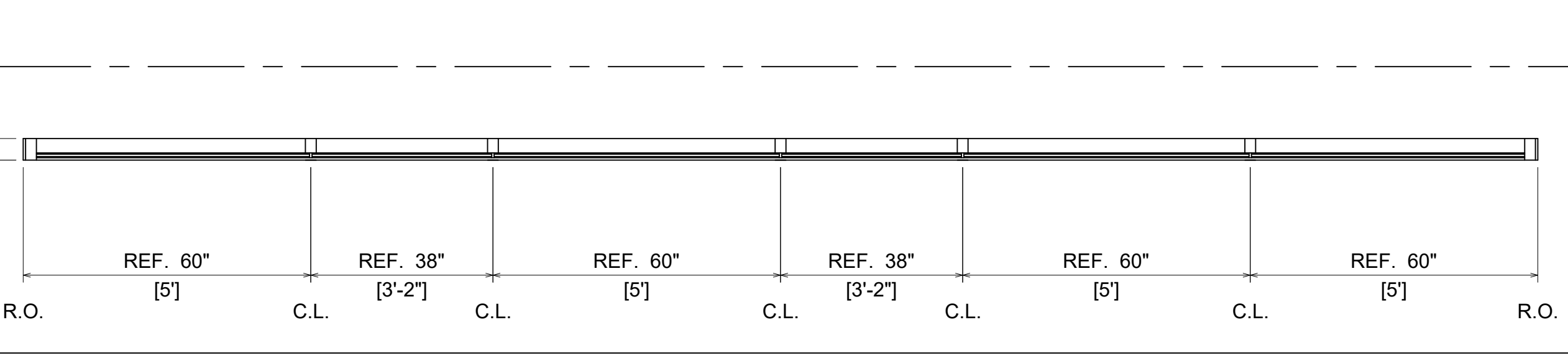
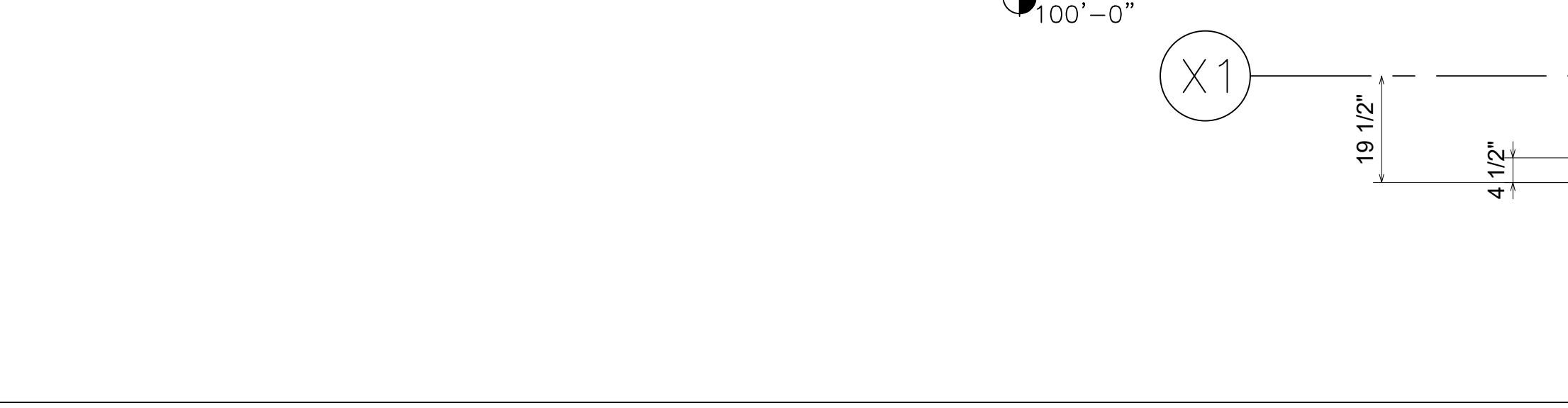
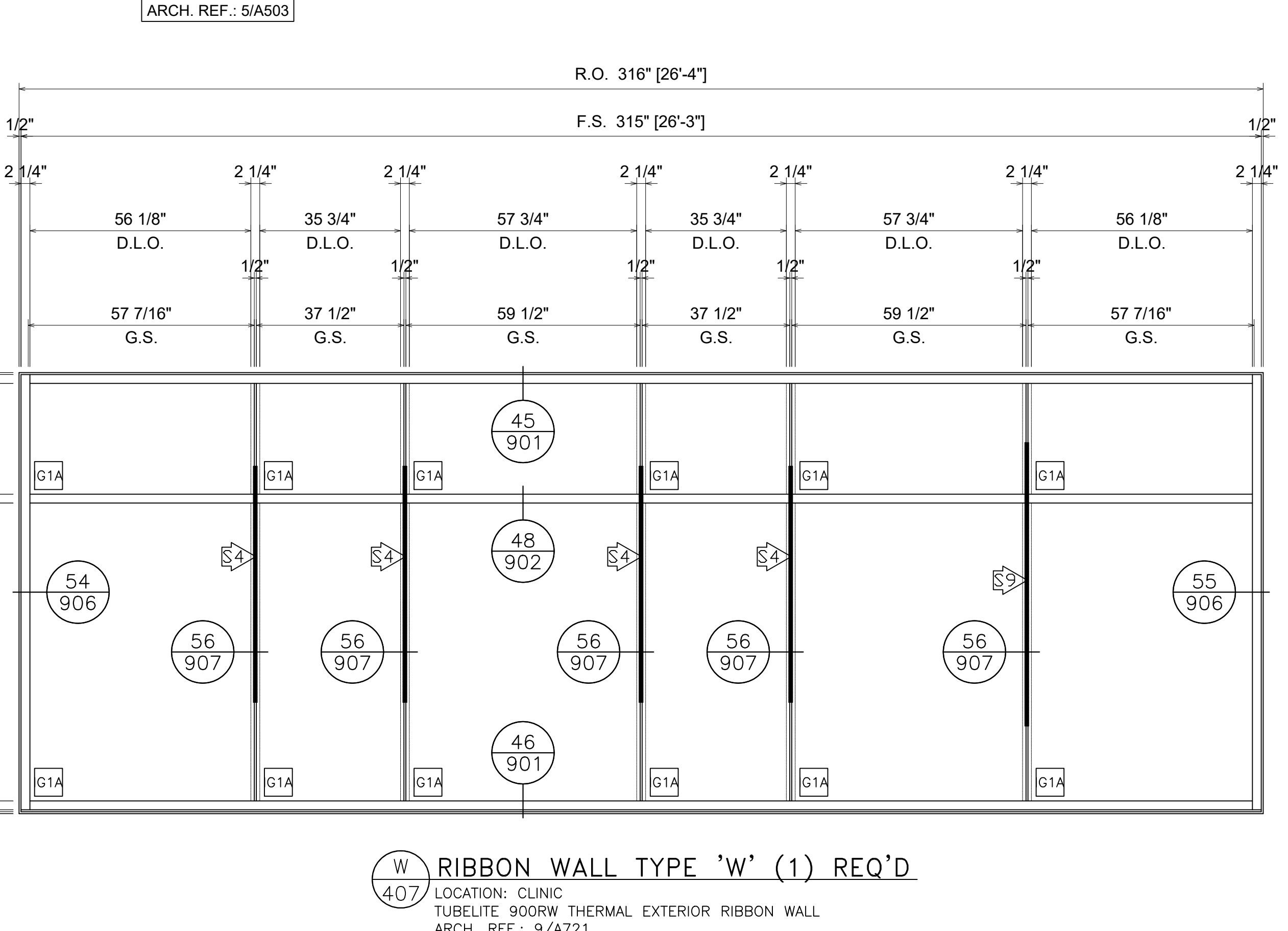
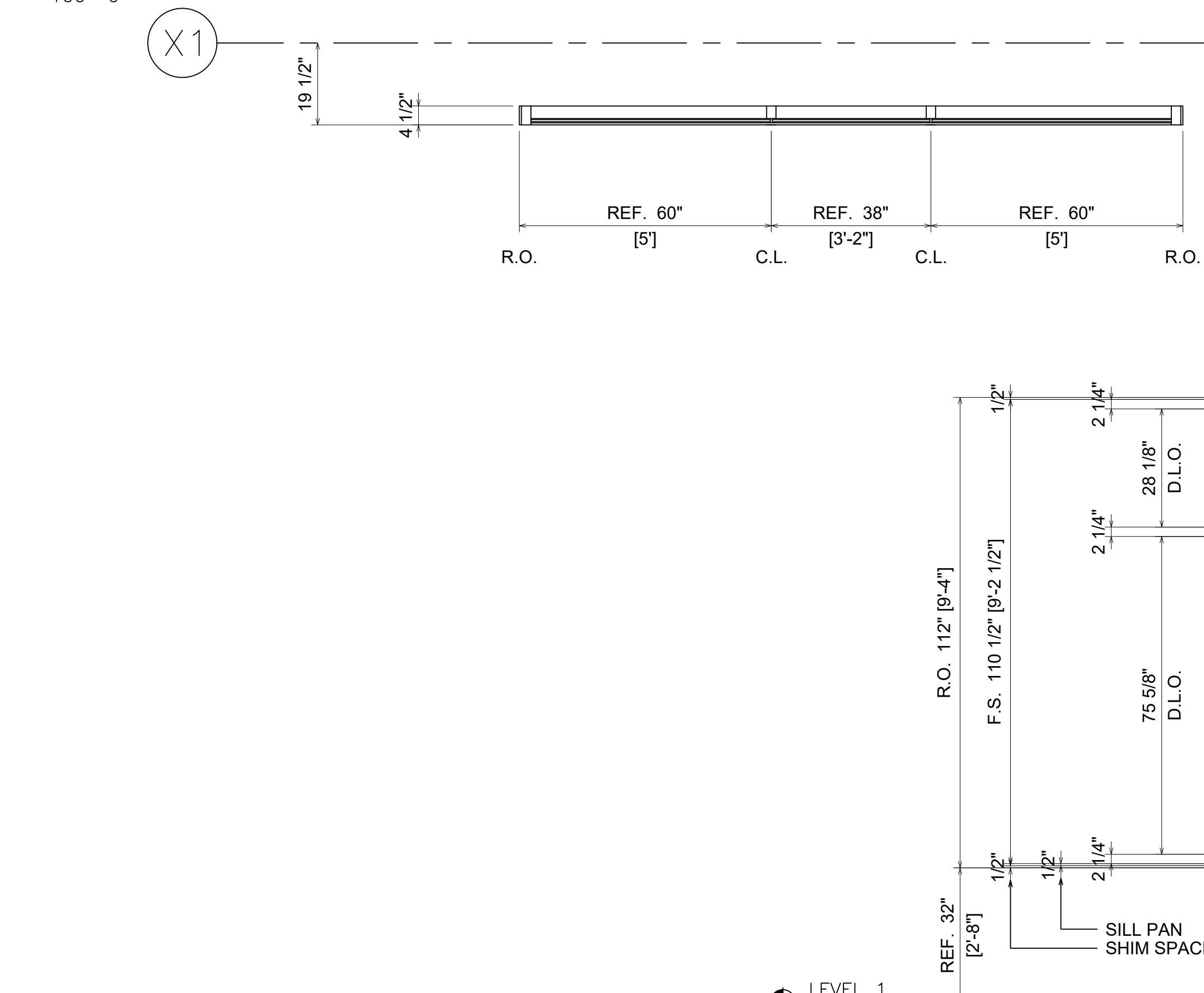
NO.	DATE	REVISION
4.1	03.22	THIRD SUBMITTAL (INTERIOR REVISIONS)
5.1	03.22	FOURTH SUBMITTAL (INTERIOR REVISIONS)
6.1	06.15.22	FIFTH SUBMITTAL (CURTAINWALL FIELD MEASUREMENTS)
6.2	06.20.22	SIXTH SUBMITTAL (CURTAINWALL FIELD MEASUREMENTS)
6.3	06.22.22	SEVENTH SUBMITTAL (CURTAINWALL FIELD MEASUREMENTS)
6.4	08.30.22	EIGHTH SUBMITTAL (INTERIOR STOREFRONT FIELD MEASUREMENTS)

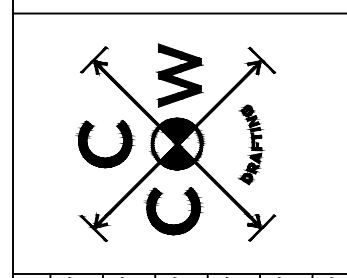
NO.	DATE	REVISION
4047		



E9430 MULLION WITH 1/2" X 2" STEEL BAR (5'-0" LENGTH) LOCATED 25' TO 85' FROM THE BOTTOM OF THE MULLION

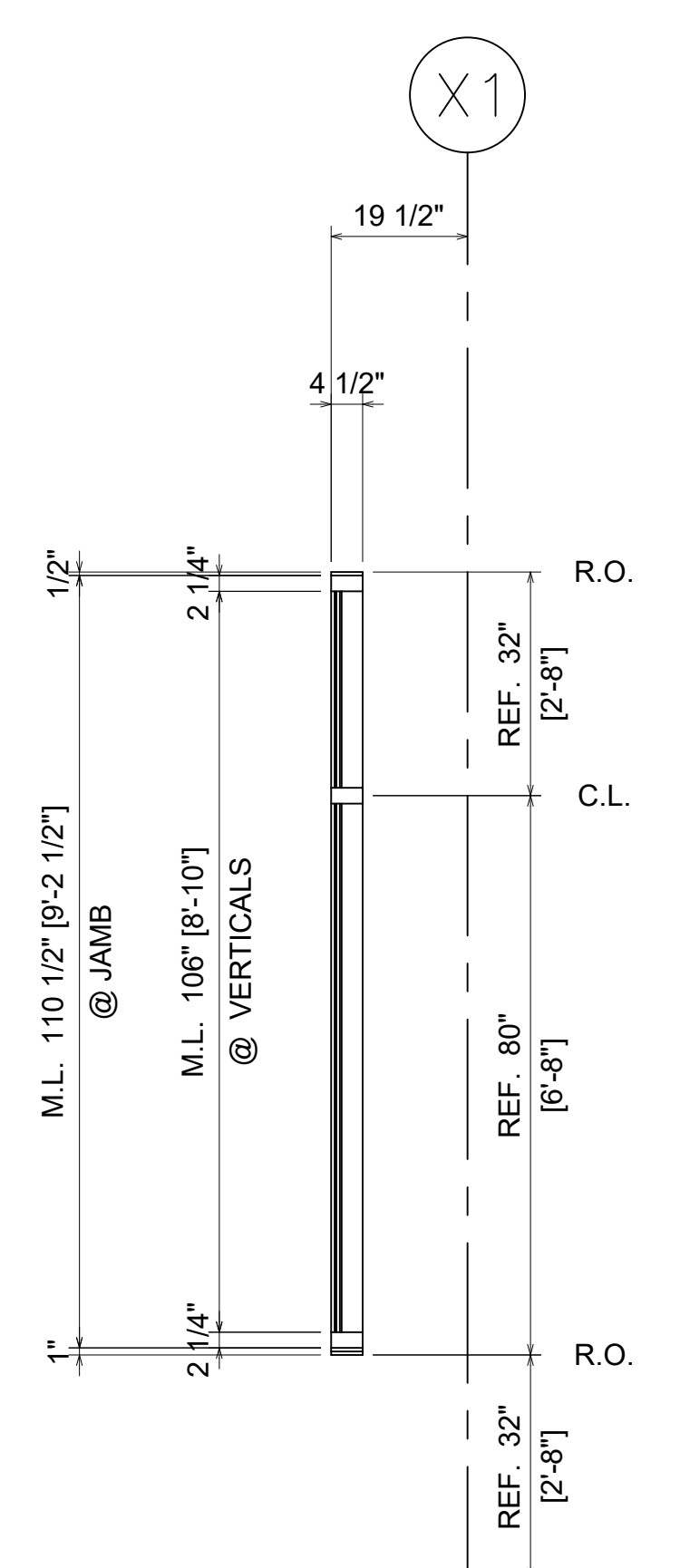
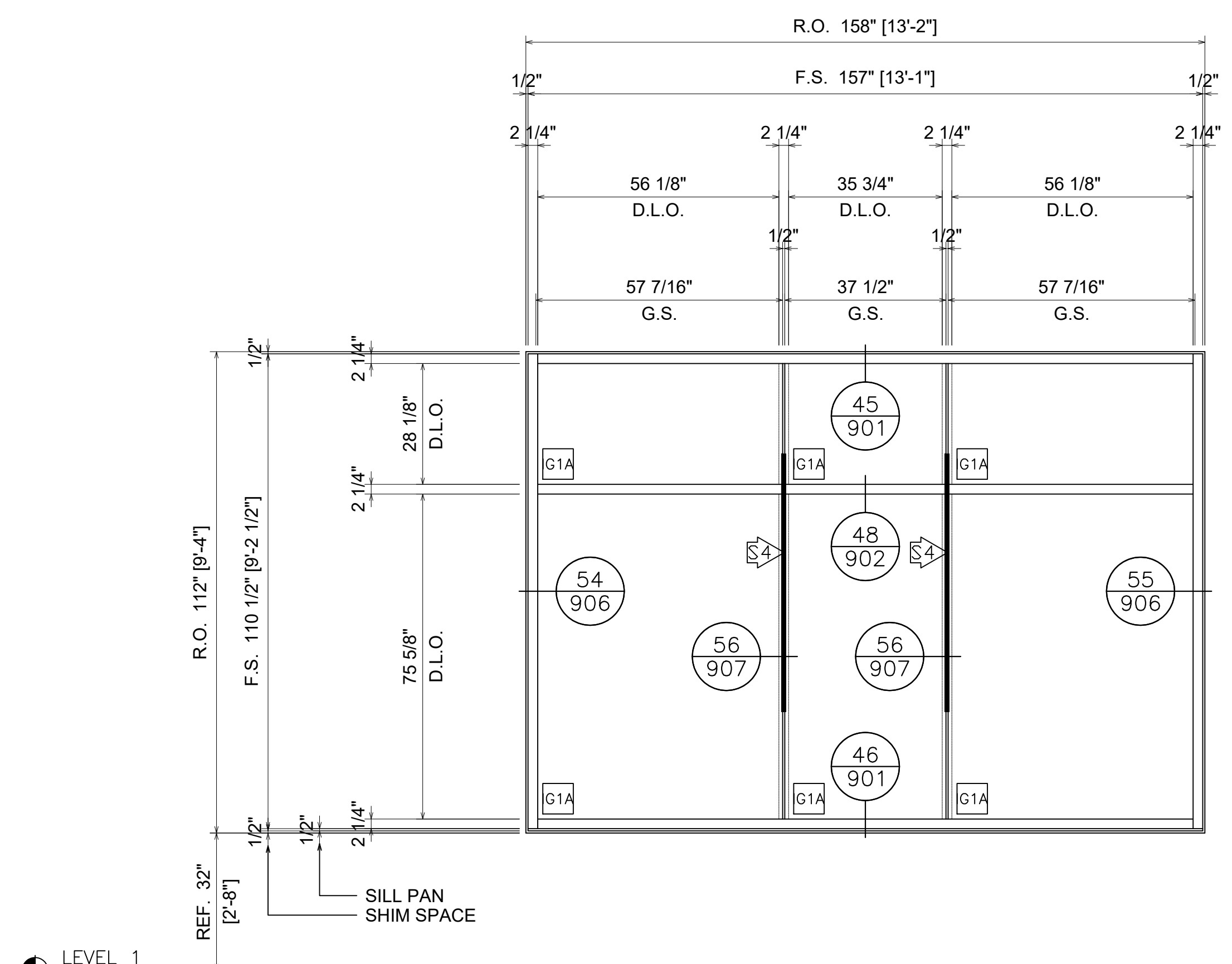
E9430 MULLION WITH 3/4" X 2" STEEL BAR (6'-0" LENGTH) LOCATED 19' TO 91' FROM THE BOTTOM OF THE MULLION



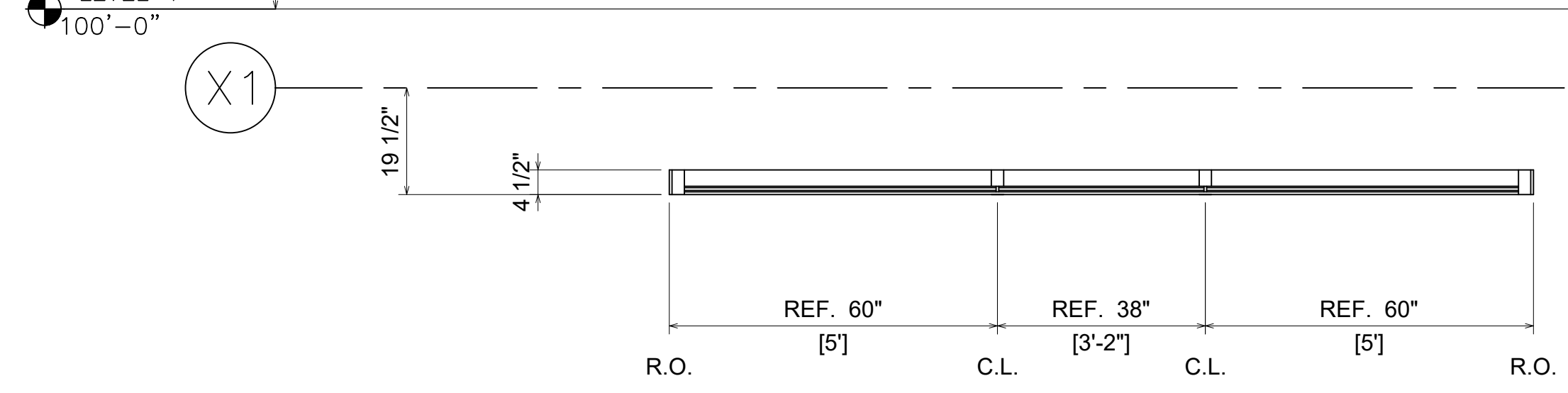


NO.	DATE	REVISION
4.1	03.02.22	THIRD SUBMITTAL (INTERIOR REVISIONS)
5.1	03.31.22	FOURTH SUBMITTAL (INTERIOR REVISIONS)
6.1	06.15.22	FIFTH SUBMITTAL (CURTAINWALL FIELD MEASUREMENTS)
6.2	06.20.22	SIXTH SUBMITTAL (CURTAINWALL FIELD MEASUREMENTS)
6.3	08.22.22	SEVENTH SUBMITTAL (CURTAINWALL FIELD MEASUREMENTS)
6.4	08.30.22	EIGHTH SUBMITTAL (INTERIOR STOREFRONT FIELD MEASUREMENTS)

REV. NO. 4047

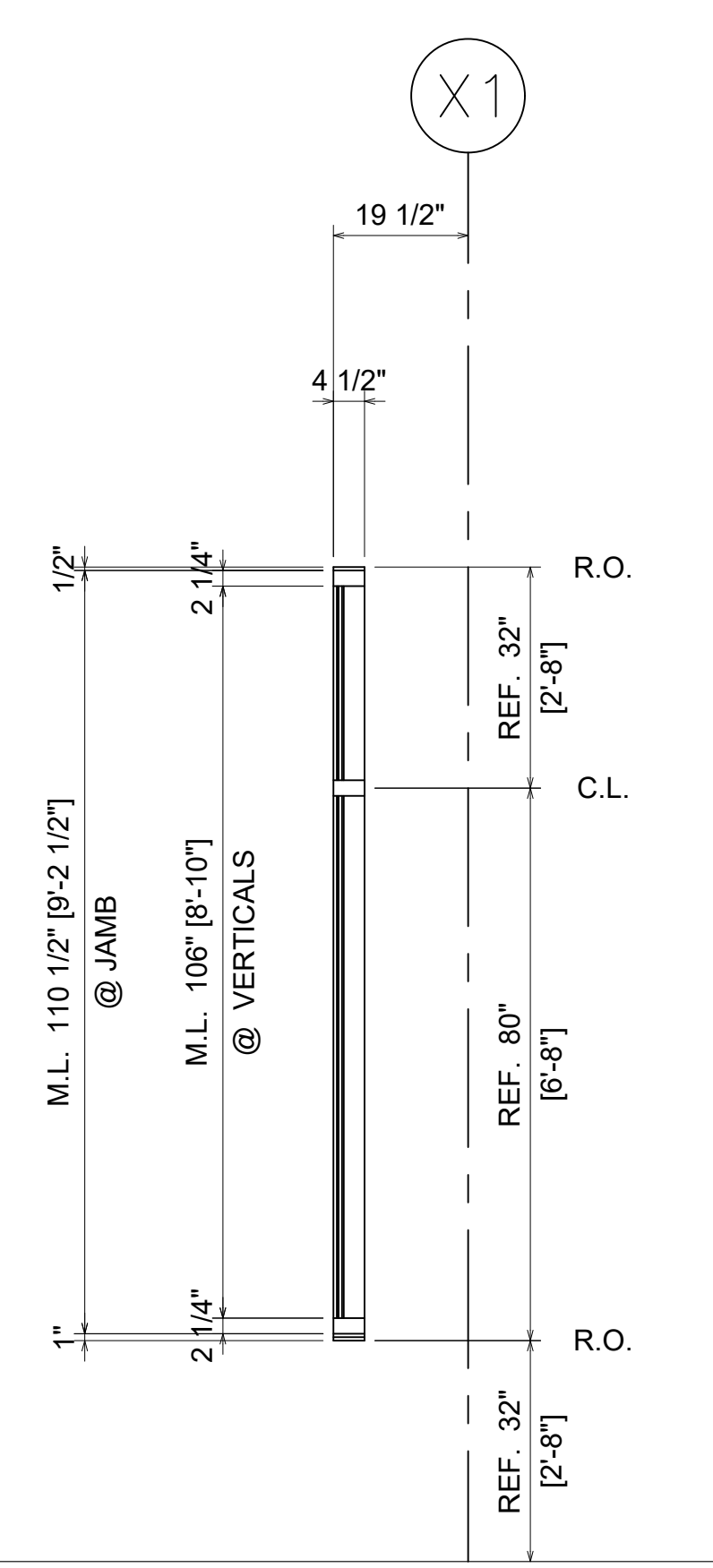
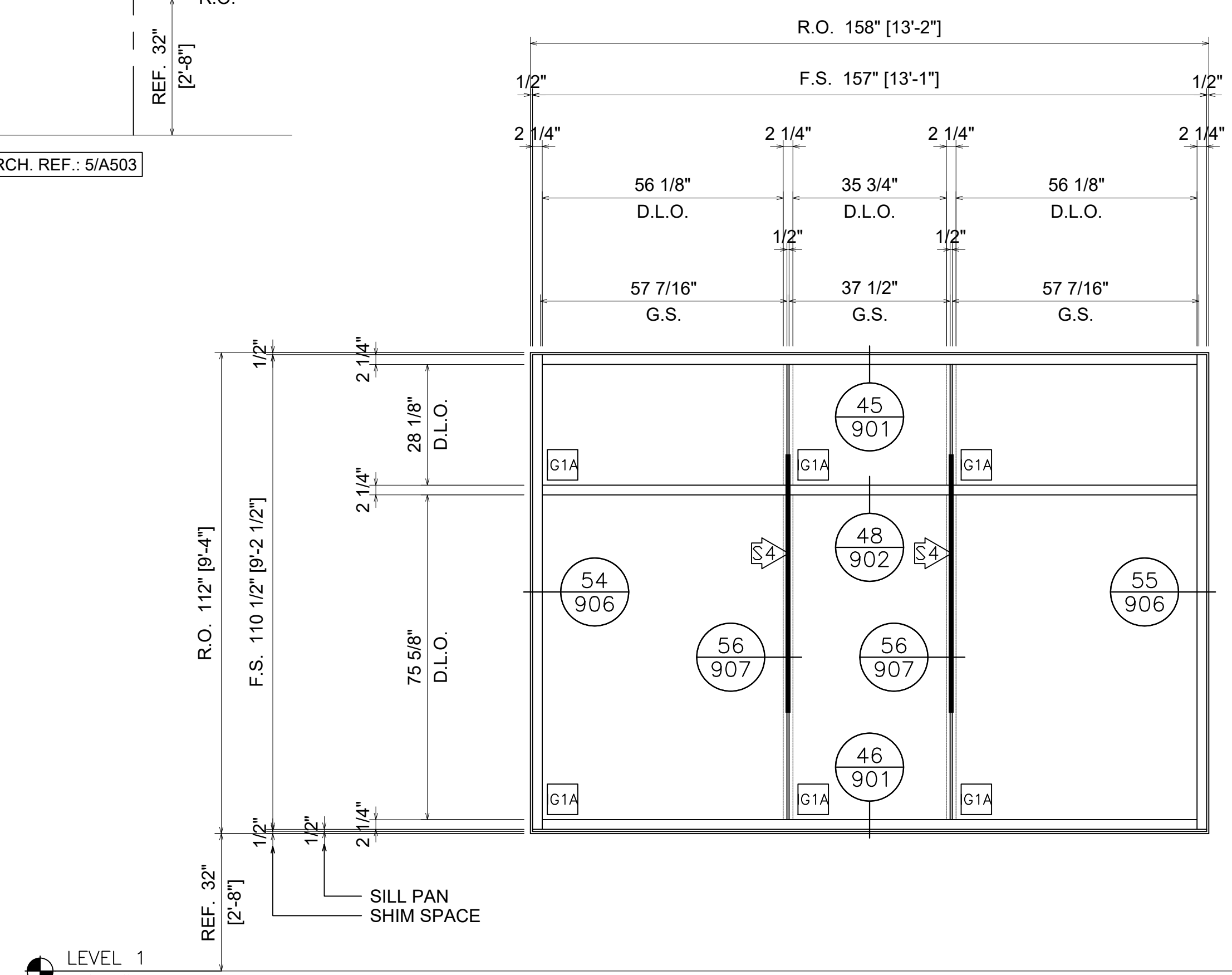


E9430 MULLION WITH 1/2" X 2" STEEL BAR (5'-0" LENGTH) LOCATED 25" TO 85" FROM THE BOTTOM OF THE MULLION

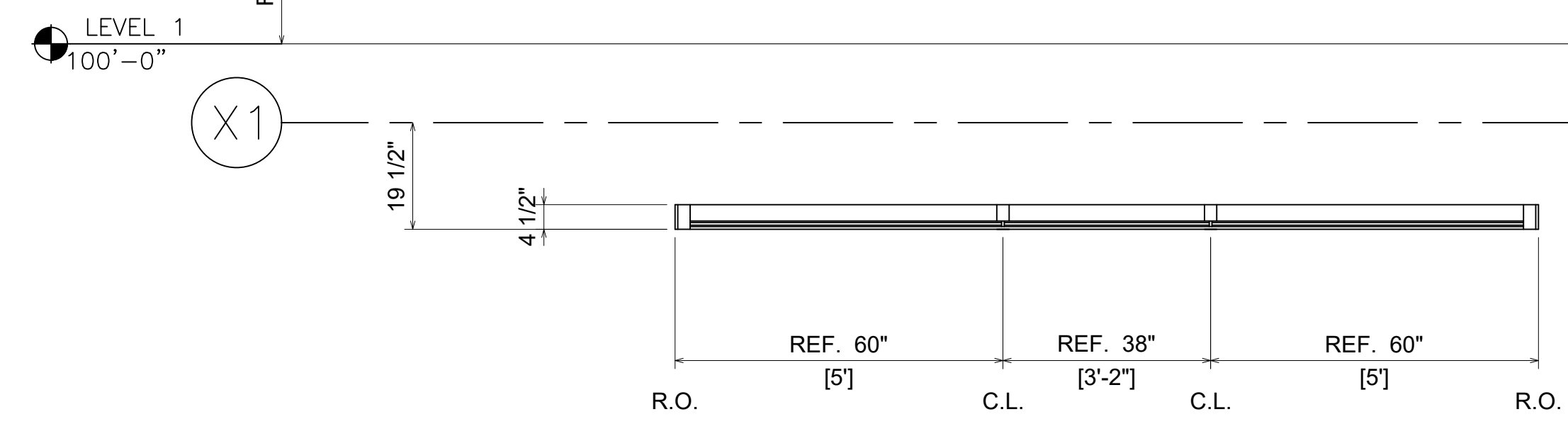


X RIBBON WALL TYPE 'X' (1) REQ'D
408 LOCATION: CLINIC
TUBELITE 900RW THERMAL EXTERIOR RIBBON WALL
ARCH. REF.: 10/A721

ARCH. REF.: 5/A503

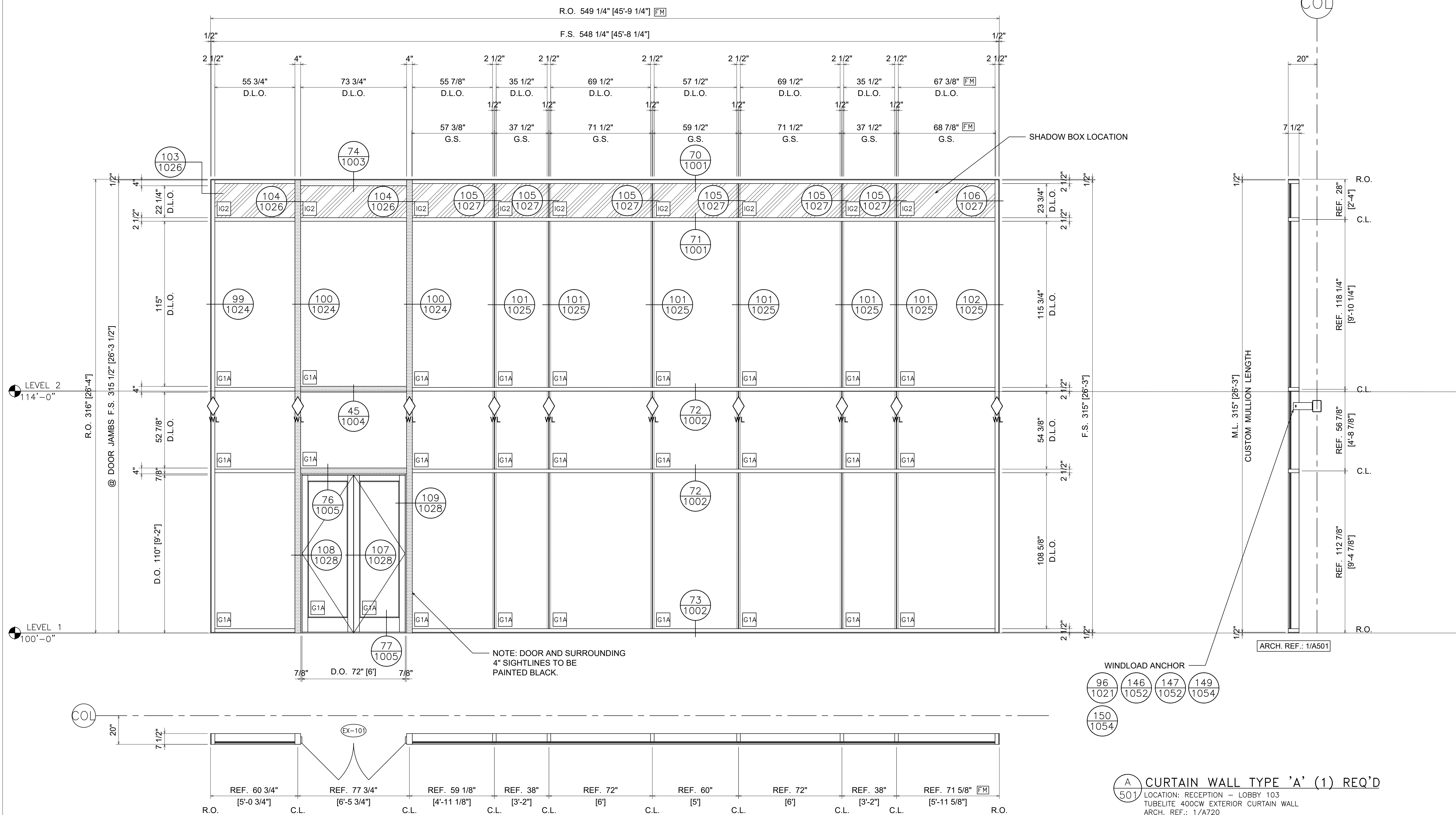


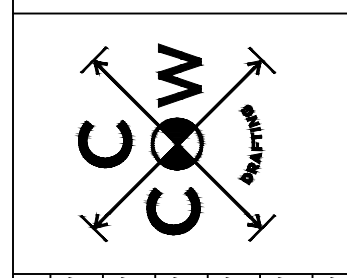
ARCH. REF.: 5/A503



Y RIBBON WALL TYPE 'Y' (1) REQ'D
408 LOCATION: CLINIC
TUBELITE 900RW THERMAL EXTERIOR RIBBON WALL
ARCH. REF.: 12/A721

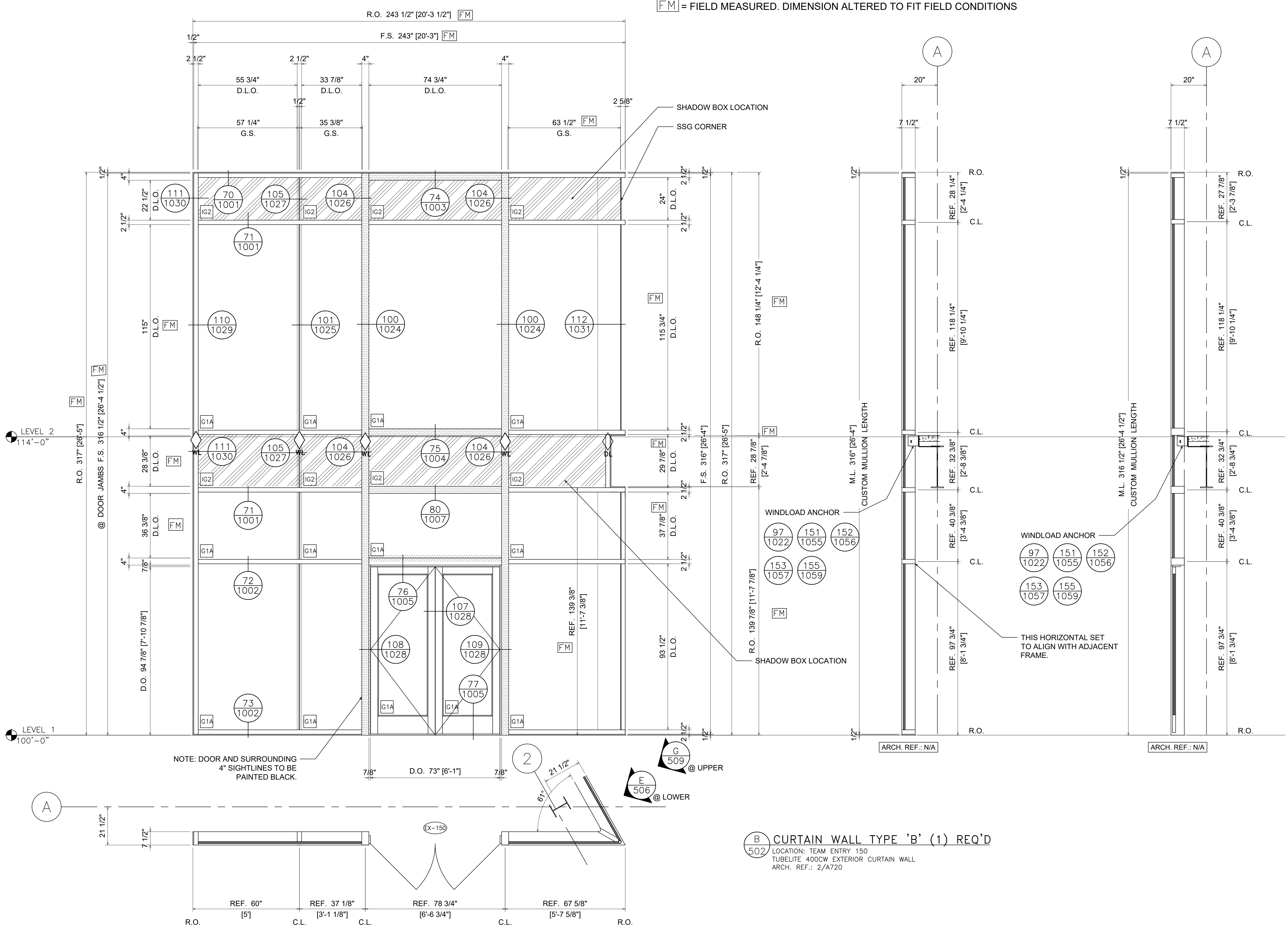
[FM] = FIELD MEASURED. DIMENSION ALTERED TO FIT FIELD CONDITIONS





NO.	DATE	REVISION
4.1	02/22	THIRD SUBMITTAL (INTERIOR REVISIONS)
5.1	03/31/22	FOURTH SUBMITTAL (INTERIOR REVISIONS)
6.1	06/15/22	FIFTH SUBMITTAL (CURTAINWALL FIELD MEASUREMENTS)
6.2	06/20/22	SIXTH SUBMITTAL (CURTAINWALL FIELD MEASUREMENTS)
6.3	06/22/22	SEVENTH SUBMITTAL (CURTAINWALL FIELD MEASUREMENTS)
6.4	08/30/22	EIGHTH SUBMITTAL (INTERIOR STOREFRONT FIELD MEASUREMENTS)

FM = FIELD MEASURED. DIMENSION ALTERED TO FIT FIELD CONDITIONS

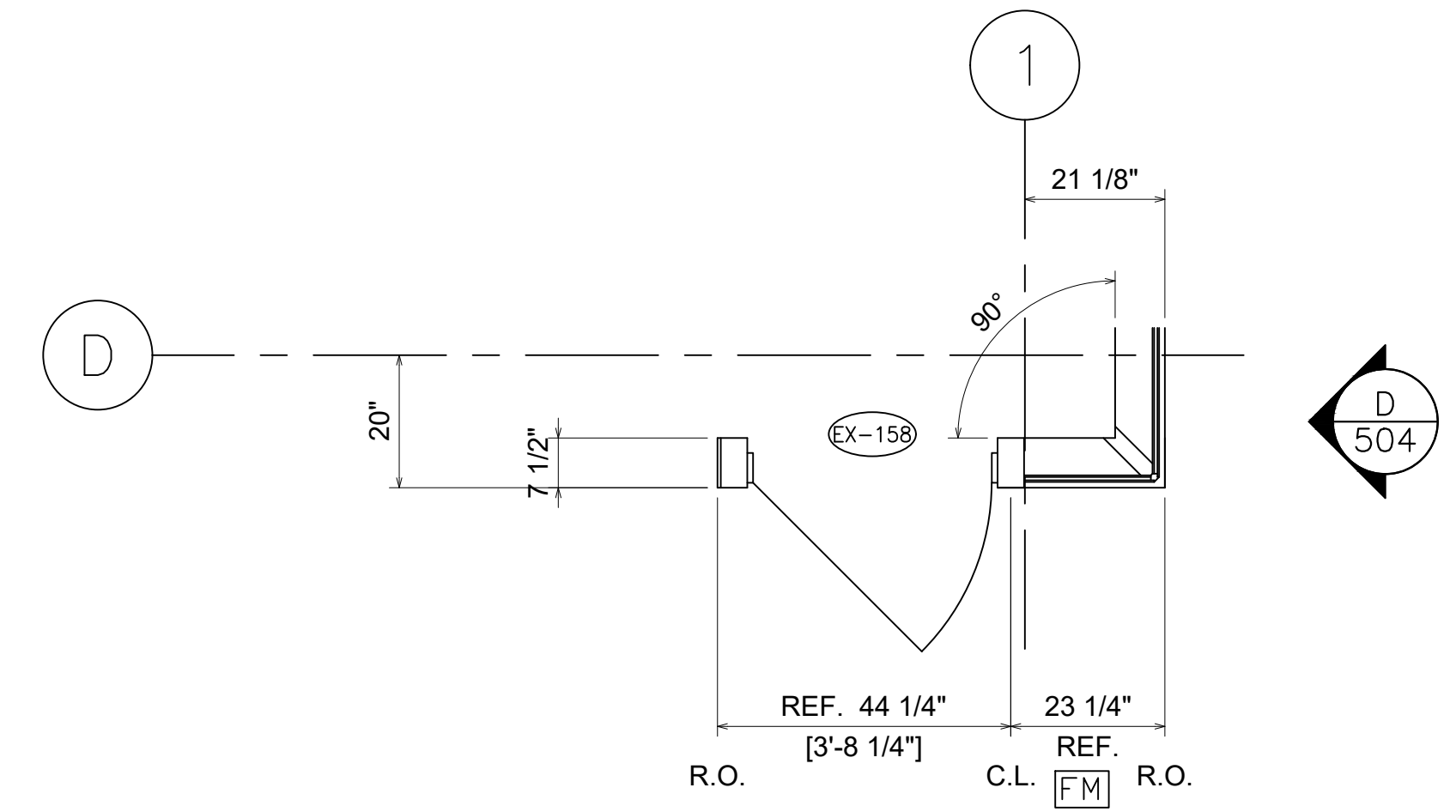
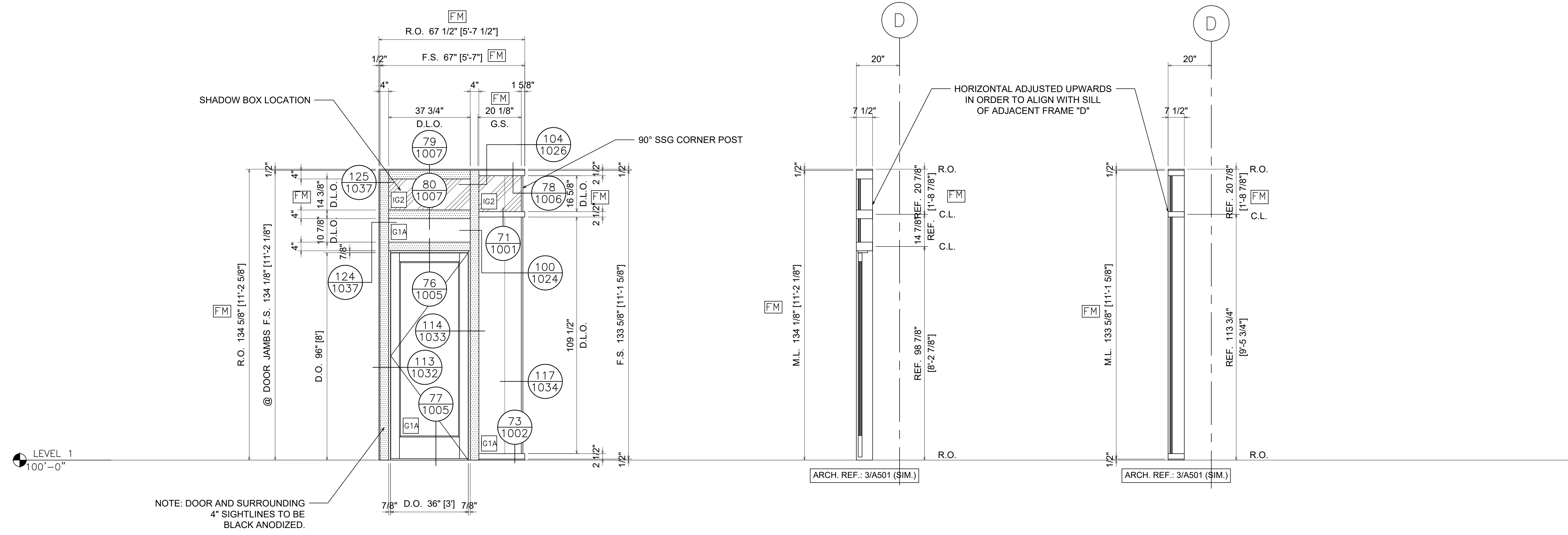


B CURTAIN WALL TYPE 'B' (1) REQ'D

LOCATION: TEAM ENTRY 150
TUBELITE 400CW EXTERIOR CURTAIN WALL
ARCH. REF.: 2/A720

NOTE: DOOR AND SURROUNDING 4\"/>

FM = FIELD MEASURED. DIMENSION ALTERED TO FIT FIELD CONDITIONS



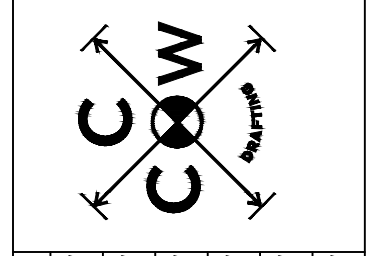
C CURTAIN WALL TYPE 'C' (1) REQ'D
 503 LOCATION: PITCH ACCESS 158
 TUBELITE 400CW EXTERIOR CURTAIN WALL
 ARCH. REF.: 3/A720

SHEET NO.:
503
 SCALE:
 N.T.S.

SCOPE:
 ALUMINUM
 CURTAINWALL &
 STOREFRONT

PROJECT:
 NASHVILLE SC TRAINING FACILITY
 4251 CENTURY FARMS TERRACE
 NASHVILLE, TN 37013

**ALEXANDER
 METALS INC.**
 ARCHITECTURAL PRODUCT SPECIALISTS
 10705 GLENNDALE TOWN SQUARE, SUITE 270
 NASHVILLE, TENNESSEE 37210
 PHONE: (615) 256-9070 FAX: (615) 256-9623
 www.AlexanderMetalsInc.com

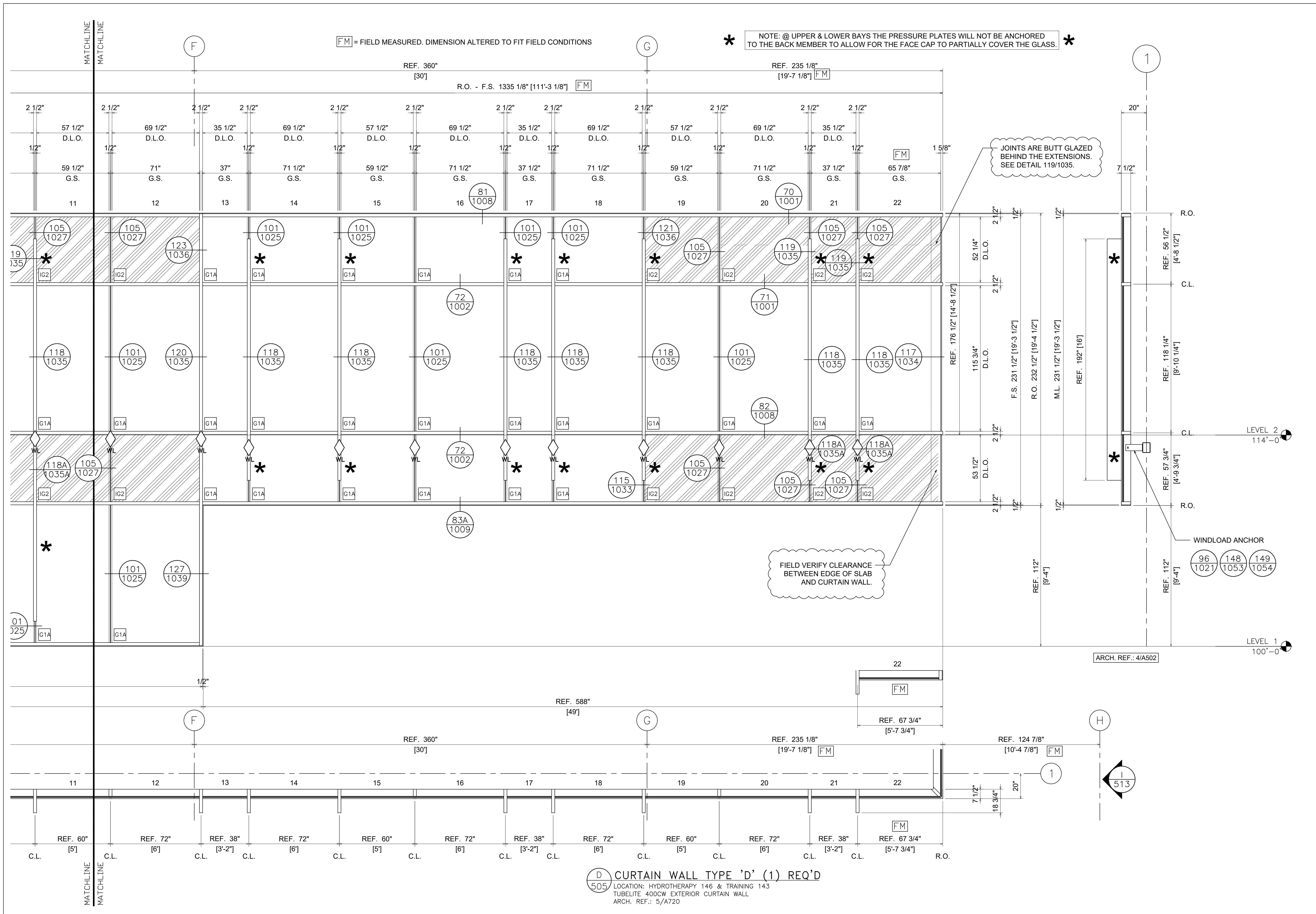


NO.	DATE	BY	REVISION
4.1	02.22	CCW	THIRD SUBMITTAL (INTERIOR REVISIONS)
5.1	03.22	CCW	FOURTH SUBMITTAL (INTERIOR REVISIONS)
6.1	06.15.22	CCW	FIFTH SUBMITTAL (CURTAINWALL FIELD MEASUREMENTS)
6.2	06.20.22	CCW	SIXTH SUBMITTAL (CURTAINWALL FIELD MEASUREMENTS)
6.3	06.22.22	CCW	SEVENTH SUBMITTAL (CURTAINWALL FIELD MEASUREMENTS)
6.4	08.30.22	CCW	EIGHTH SUBMITTAL (INTERIOR STOREFRONT FIELD MEASUREMENTS)

JOB NO. 4047

REV. NO.

SHEET NO.:
503



[FM] = FIELD MEASURED. DIMENSION ALTERED TO FIT FIELD CONDITIONS

* NOTE: @ UPPER & LOWER BAYS THE PRESSURE PLATES WILL NOT BE ANCHORED TO THE BACK MEMBER TO ALLOW FOR THE FACE CAP TO PARTIALLY COVER THE GLASS. *

JOINTS ARE BUTT GLAZED BEHIND THE EXTENSIONS. SEE DETAIL 119/1035.

FIELD VERIFY CLEARANCE BETWEEN EDGE OF SLAB AND CURTAIN WALL.

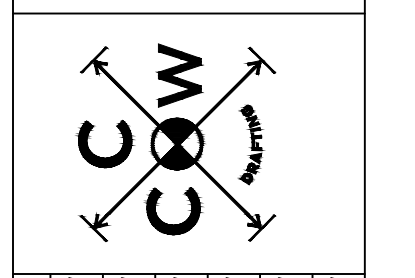
D CURTAIN WALL TYPE 'D' (1) REQ'D
 505 LOCATION: HYDROTHERAPY 146 & TRAINING 143
 TUBELITE 400CW EXTERIOR CURTAIN WALL
 ARCH. REF.: 5/A720

SHEET NO.:
505

SCALE:
 N.T.S.

PROJECT:
 NASHVILLE SC TRAINING FACILITY
 4251 CENTURY FARMS TERRACE
 NASHVILLE, TN 37013

SCOPE:
 ALUMINUM
 CURTAINWALL &
 STOREFRONT



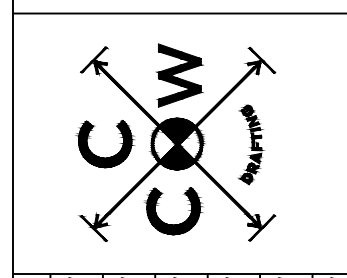
NO.	DATE	REVISION
4.1	02.22	THIRD SUBMITTAL (INTERIOR REVISIONS)
5.1	03.22	FOURTH SUBMITTAL (INTERIOR REVISIONS)
6.1	06.15.22	FIFTH SUBMITTAL (CURTAINWALL FIELD MEASUREMENTS)
6.2	06.20.22	SIXTH SUBMITTAL (CURTAINWALL FIELD MEASUREMENTS)
6.3	08.22.22	SEVENTH SUBMITTAL (CURTAINWALL FIELD MEASUREMENTS)
6.4	08.30.22	EIGHTH SUBMITTAL (INTERIOR STOREFRONT FIELD MEASUREMENTS)

NO. 4047
 REV. NO.
 SHEET NO.:
505

SCOPE:
ALUMINUM
CURTAINWALL &
STOREFRONT

PROJECT:
NASHVILLE SC TRAINING FACILITY
4251 CENTURY FARMS TERRACE
NASHVILLE, TN 37013

**ALEXANDER
METALS INC.**
ARCHITECTURAL PRODUCT SPECIALISTS
1070 GLENN AVENUE, NASHVILLE, TENNESSEE 37203
PHONE: (615) 258-9070 FAX: (615) 258-9023
www.AlexanderMetalsInc.com

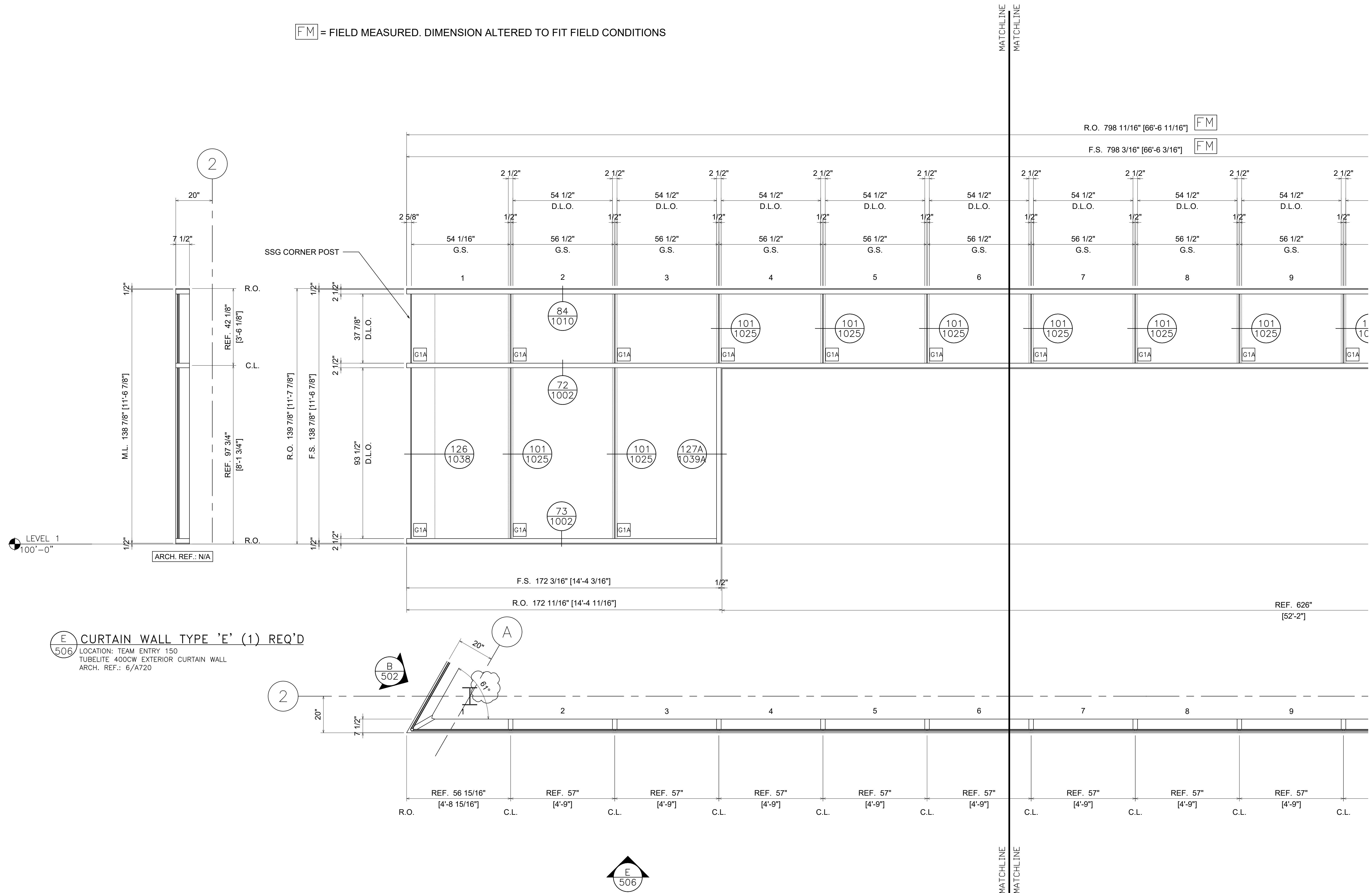


BY: CCW

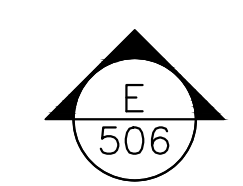
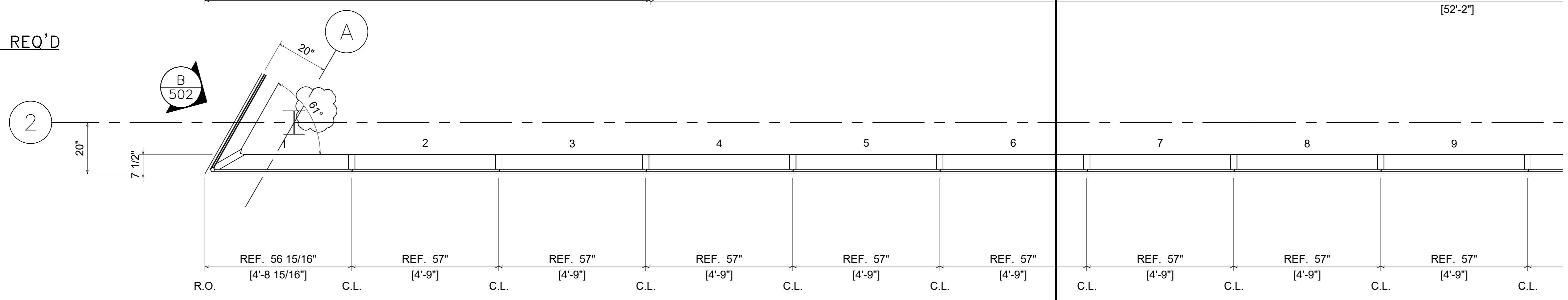
NO.	DATE	REVISION
4.1	02/22	THIRD SUBMITTAL (INTERIOR REVISIONS)
5.1	03/31/22	FOURTH SUBMITTAL (INTERIOR REVISIONS)
6.1	06/15/22	FIFTH SUBMITTAL (CURTAINWALL FIELD MEASUREMENTS)
6.2	06/20/22	SIXTH SUBMITTAL (CURTAINWALL FIELD MEASUREMENTS)
6.3	06/22/22	SEVENTH SUBMITTAL (CURTAINWALL FIELD MEASUREMENTS)
6.4	08/30/22	EIGHTH SUBMITTAL (INTERIOR STOREFRONT FIELD MEASUREMENTS)

JOB NO. 4047
REV. NO.

FM = FIELD MEASURED. DIMENSION ALTERED TO FIT FIELD CONDITIONS



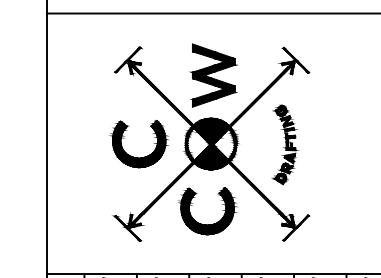
E CURTAIN WALL TYPE 'E' (1) REQ'D
506 LOCATION: TEAM ENTRY 150
TUBELITE 400CW EXTERIOR CURTAIN WALL
ARCH. REF.: 6/A720



SCOPE:
ALUMINUM
CURTAINWALL &
STOREFRONT

PROJECT:
NASHVILLE SC TRAINING FACILITY
4251 CENTURY FARMS TERRACE
NASHVILLE, TN 37013

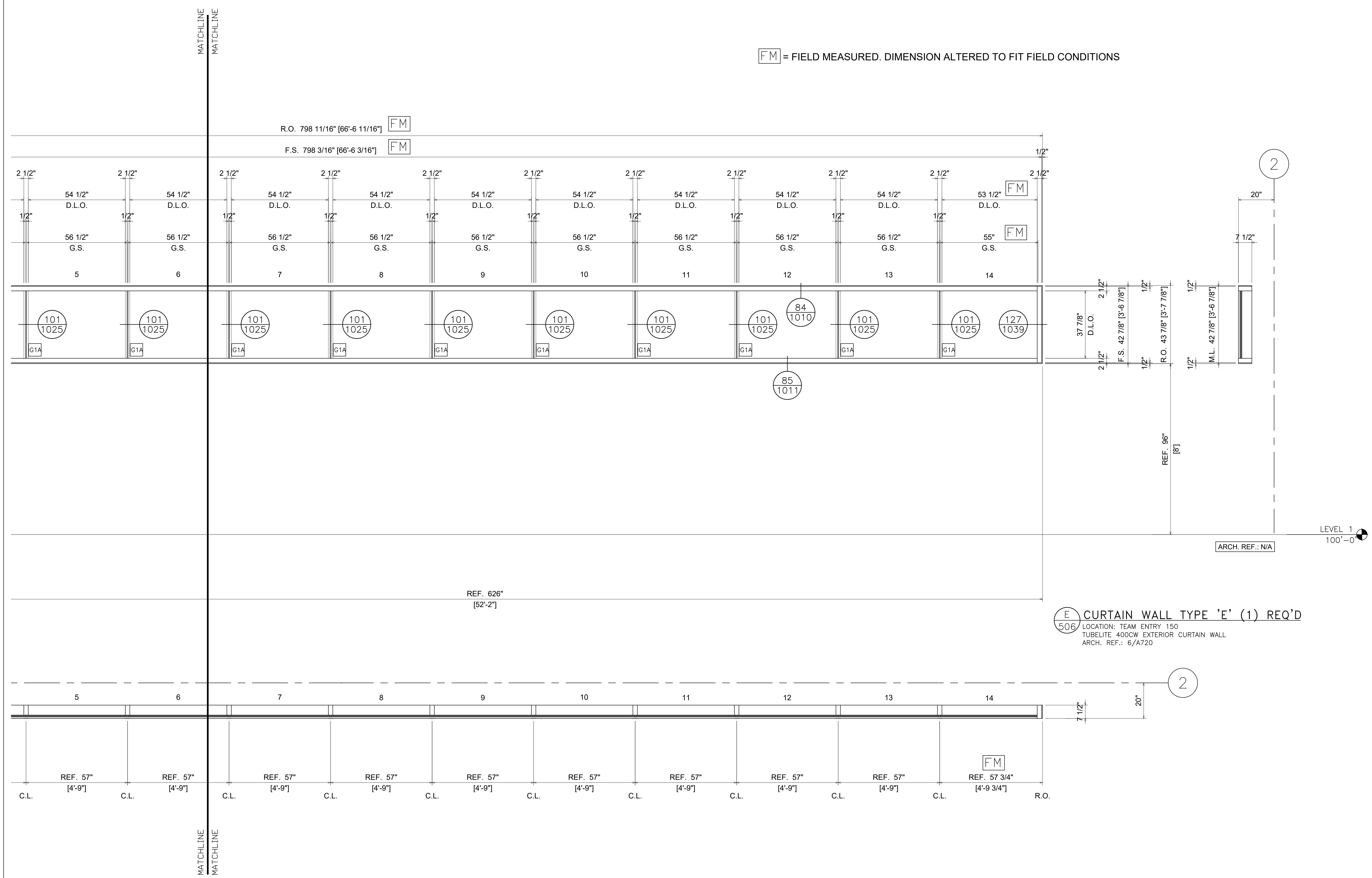
**ALEXANDER
METALS INC.**
ARCHITECTURAL PRODUCT SPECIALISTS
407 CEDAR HAVEN DRIVE, NASHVILLE, TN 37203
PHONE: (615) 256-9070 FAX: (615) 256-9023
www.AlexanderMetalsInc.com



NO.	DATE	REVISION
4.1	02/22	THIRD SUBMITTAL (INTERIOR REVISIONS)
5.1	03/12	FOURTH SUBMITTAL (INTERIOR REVISIONS)
6.1	06/15/22	FIFTH SUBMITTAL (CURTAINWALL FIELD MEASUREMENTS)
6.2	06/20/22	SIXTH SUBMITTAL (CURTAINWALL FIELD MEASUREMENTS)
6.3	06/22/22	SEVENTH SUBMITTAL (CURTAINWALL FIELD MEASUREMENTS)
6.4	08/30/22	EIGHTH SUBMITTAL (INTERIOR STOREFRONT FIELD MEASUREMENTS)

JOB NO. 4047
REV. NO.

FM = FIELD MEASURED. DIMENSION ALTERED TO FIT FIELD CONDITIONS



LEVEL 1
100'-0"

ARCH. REF.: N/A

2

2

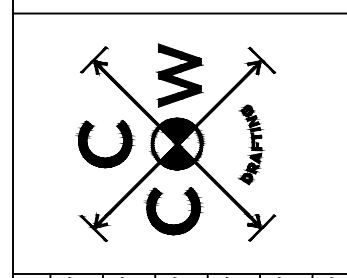
MATCHLINE

MATCHLINE

SCOPE:
ALUMINUM
CURTAINWALL
STOREFRONT

PROJECT:
NASHVILLE SC TRAINING FACILITY
4251 CENTURY FARMS TERRACE
NASHVILLE, TN 37013

ALEXANDER METALS INC.
ARCHITECTURAL PRODUCT SPECIALISTS
1057 GLENN DRIVE, NASHVILLE, TENNESSEE 37203
PHONE: (615) 256-8070 FAX: (615) 256-9623
www.AlexanderMetalsInc.com

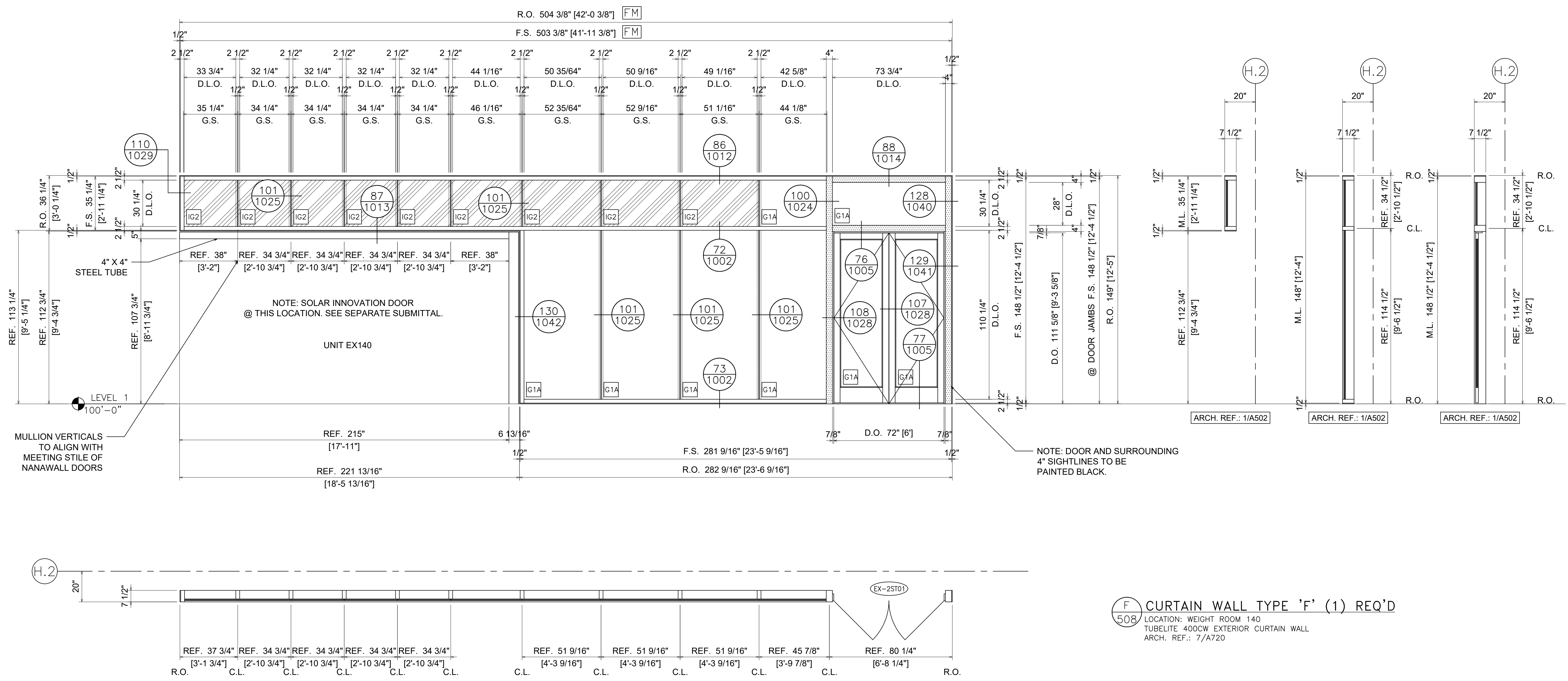


BY: CCW

NO.	DATE	REVISION
4.1	01.02.22	THIRD SUBMITTAL (INTERIOR REVISIONS)
5.1	03.31.22	FOURTH SUBMITTAL (INTERIOR REVISIONS)
6.1	06.15.22	FIFTH SUBMITTAL (CURTAINWALL FIELD MEASUREMENTS)
6.2	06.20.22	SIXTH SUBMITTAL (CURTAINWALL FIELD MEASUREMENTS)
6.3	08.22.22	SEVENTH SUBMITTAL (CURTAINWALL FIELD MEASUREMENTS)
6.4	08.30.22	EIGHTH SUBMITTAL (INTERIOR STOREFRONT FIELD MEASUREMENTS)

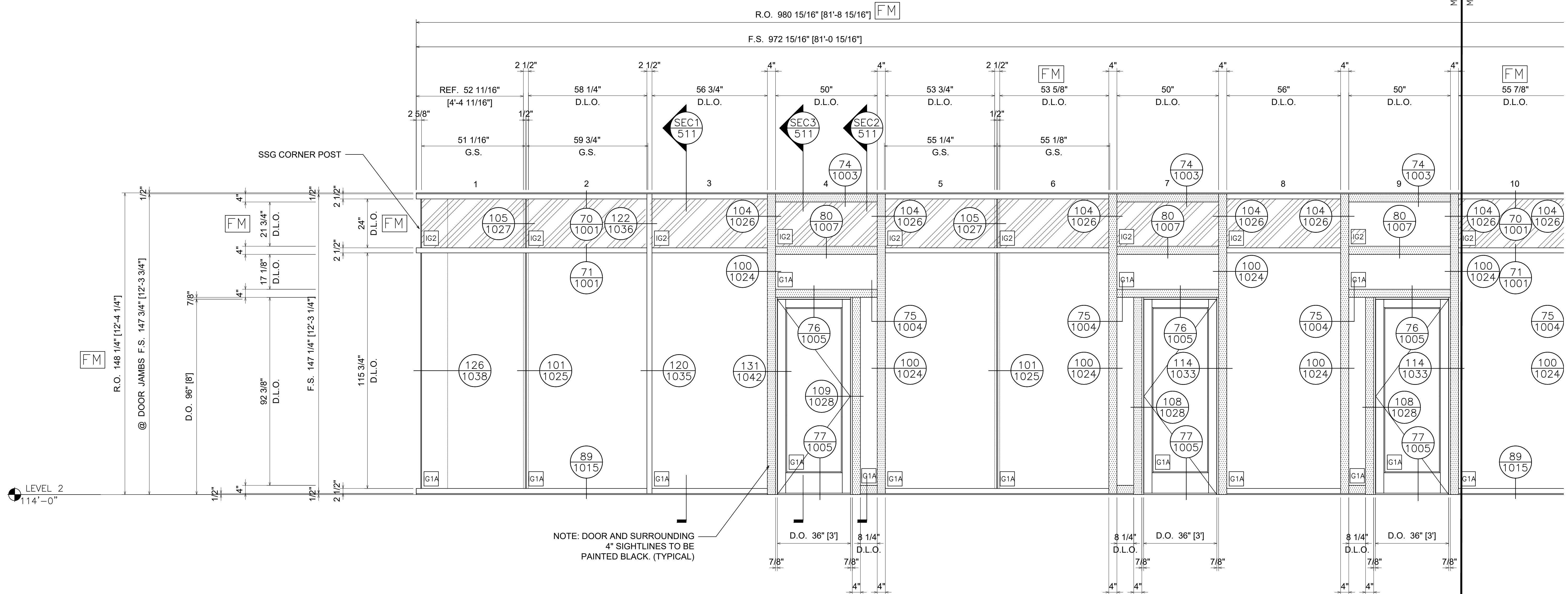
JOB NO. 4047
REV. NO.

[FM] = FIELD MEASURED. DIMENSION ALTERED TO FIT FIELD CONDITIONS

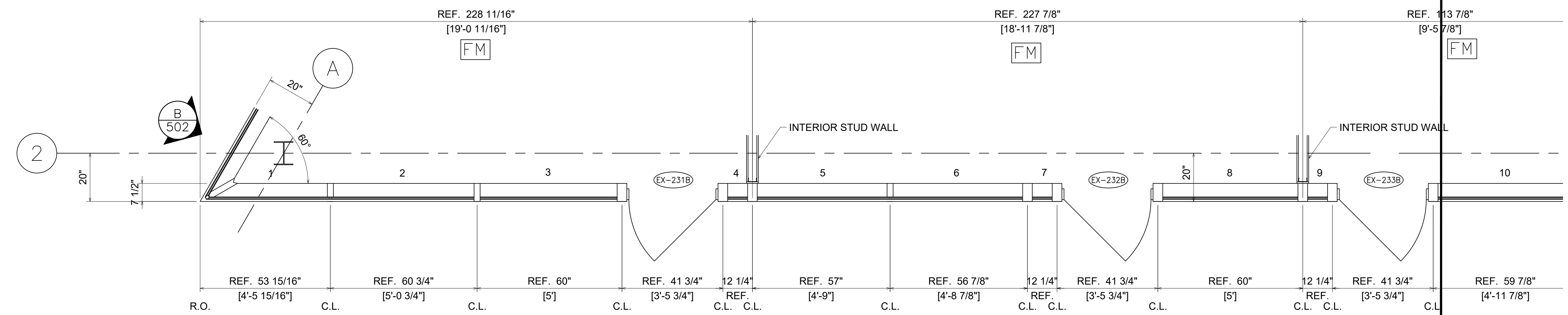


F CURTAIN WALL TYPE 'F' (1) REQ'D
508 LOCATION: WEIGHT ROOM 140
TUBELITE 400CW EXTERIOR CURTAIN WALL
ARCH. REF.: 7/A720

FM = FIELD MEASURED. DIMENSION ALTERED TO FIT FIELD CONDITIONS



NOTE: DOOR AND SURROUNDING 4\"/>

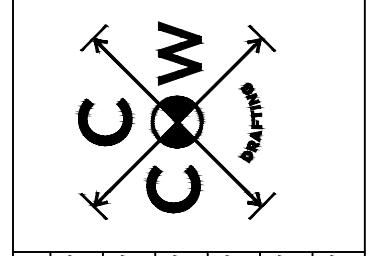


G
509 CURTAIN WALL TYPE 'G' (1) REQ'D
LOCATION: OFFICES 231 - 236
TUBELITE 400CW EXTERIOR CURTAIN WALL
ARCH. REF.: 11/A721

SHEET NO.:
509
SCALE:
N.T.S.

SCOPE:
ALUMINUM CURTAINWALL & STOREFRONT
PROJECT:
NASHVILLE SC TRAINING FACILITY
4251 CENTURY FARMS TERRACE
NASHVILLE, TN 37013

ALEXANDER METALS INC.
ARCHITECTURAL PRODUCT SPECIALISTS
107 CEDAR HILL NASHVILLE, TENNESSEE 37210
PHONE: (615) 258-8070 FAX: (615) 258-8233
www.AlexanderMetalsInc.com

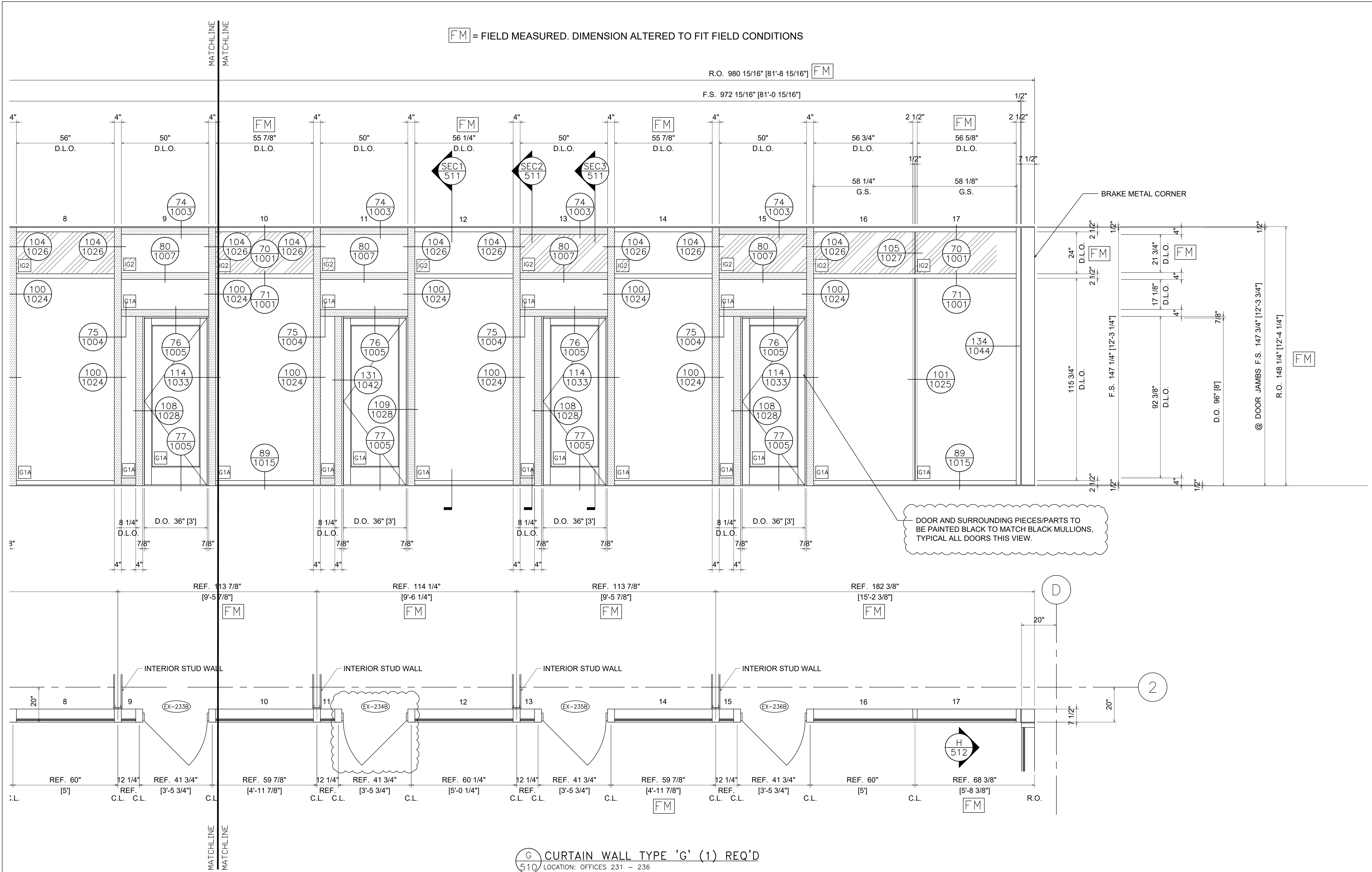


NO.	DATE	REVISION
4.1	02.22	THIRD SUBMITTAL (INTERIOR REVISIONS)
5.1	03.22	FOURTH SUBMITTAL (INTERIOR REVISIONS)
6.1	06.15.22	FIFTH SUBMITTAL (CURTAINWALL FIELD MEASUREMENTS)
6.2	06.22.22	SIXTH SUBMITTAL (CURTAINWALL FIELD MEASUREMENTS)
6.3	08.22.22	SEVENTH SUBMITTAL (CURTAINWALL FIELD MEASUREMENTS)
6.4	08.30.22	EIGHTH SUBMITTAL (INTERIOR STOREFRONT FIELD MEASUREMENTS)

JOB NO. 4047
REV. NO.

SHEET NO.:
509

[FM] = FIELD MEASURED. DIMENSION ALTERED TO FIT FIELD CONDITIONS



G CURTAIN WALL TYPE 'G' (1) REQ'D

510 LOCATION: OFFICES 231 - 236
TUBELITE 400CW EXTERIOR CURTAIN WALL
ARCH. REF.: 11/A721

DOOR AND SURROUNDING PIECES/PARTS TO BE PAINTED BLACK TO MATCH BLACK MULLIONS, TYPICAL ALL DOORS THIS VIEW.

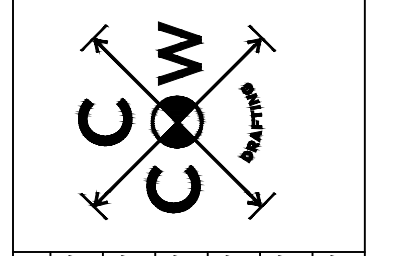
SHEET NO.:
510

SCALE:
N.T.S.

SCOPE:
ALUMINUM
CURTAINWALL &
STOREFRONT

PROJECT:
NASHVILLE SC TRAINING FACILITY
4251 CENTURY FARMS TERRACE
NASHVILLE, TN 37013

ALEXANDER METALS INC.
ARCHITECTURAL PRODUCT SPECIALISTS
107 COLLETSVILLE ROAD, NASHVILLE, TN 37210
PHONE: (615) 256-9070 FAX: (615) 256-9233
www.AlexanderMetalsInc.com



NO.	DATE	REVISION
4.1	02.22	THIRD SUBMITTAL (INTERIOR REVISIONS)
5.1	03.22	FOURTH SUBMITTAL (INTERIOR REVISIONS)
6.1	06.15.22	FIFTH SUBMITTAL (CURTAINWALL FIELD MEASUREMENTS)
6.2	06.20.22	SIXTH SUBMITTAL (CURTAINWALL FIELD MEASUREMENTS)
6.3	06.22.22	SEVENTH SUBMITTAL (CURTAINWALL FIELD MEASUREMENTS)
6.4	08.30.22	EIGHTH SUBMITTAL (INTERIOR STOREFRONT FIELD MEASUREMENTS)

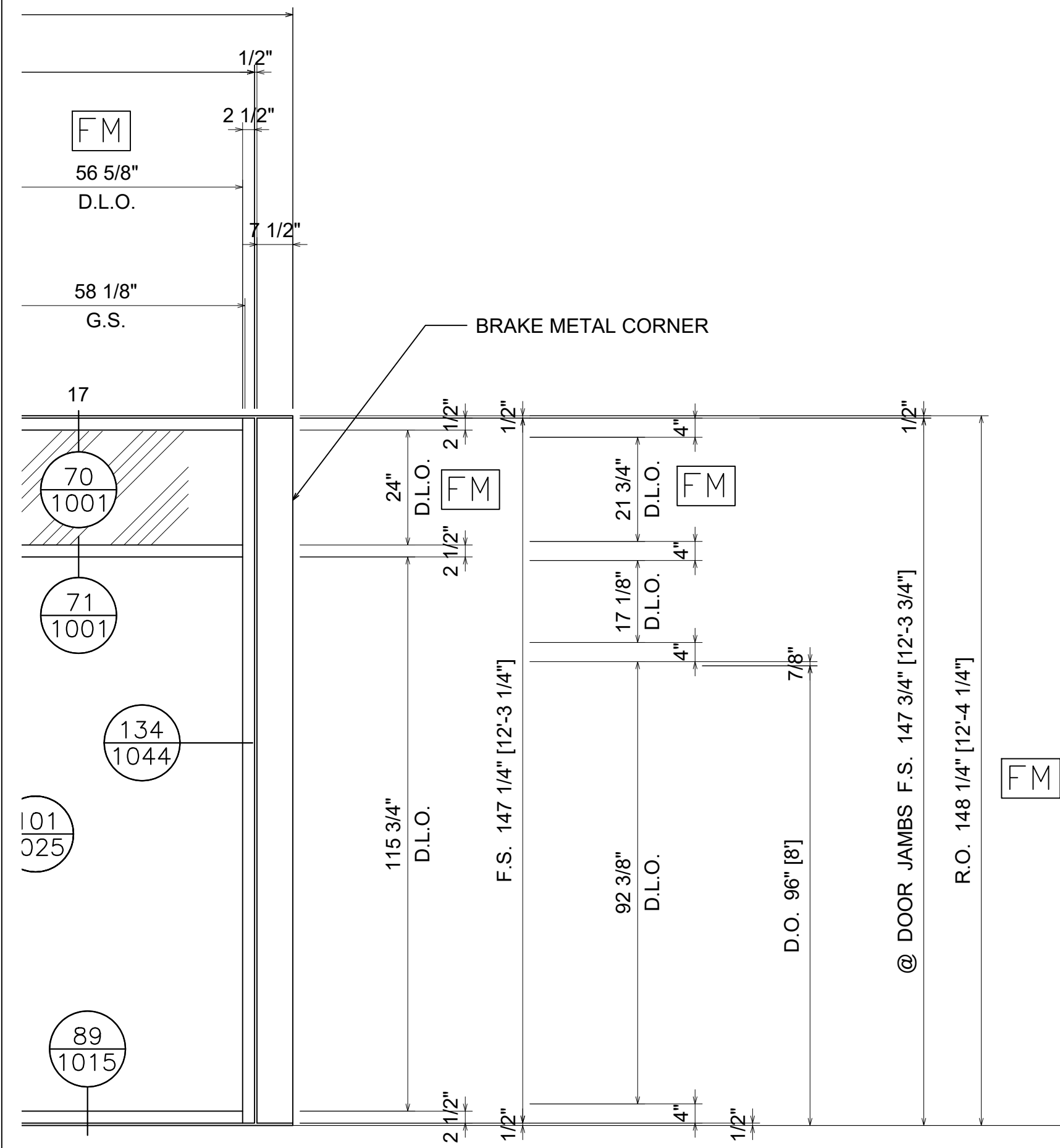
BY: CCW

JOB NO. 4047

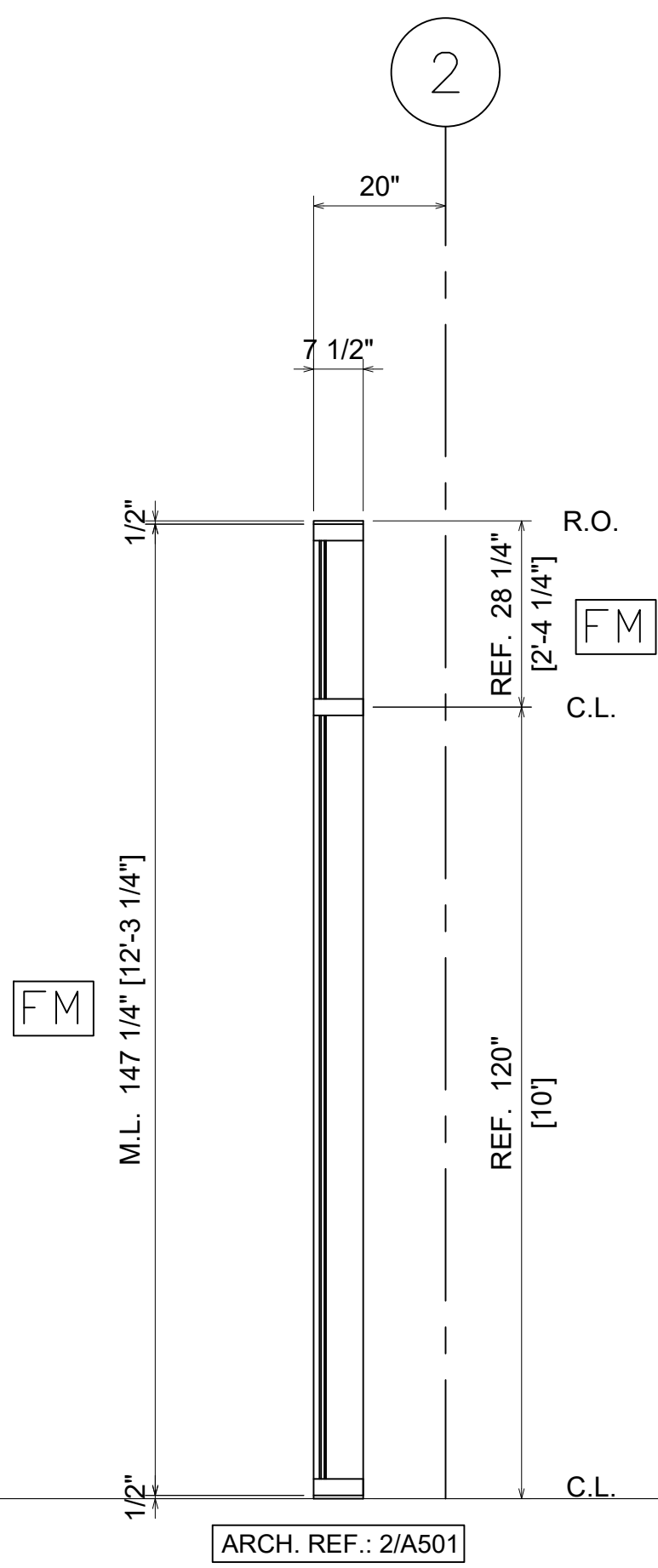
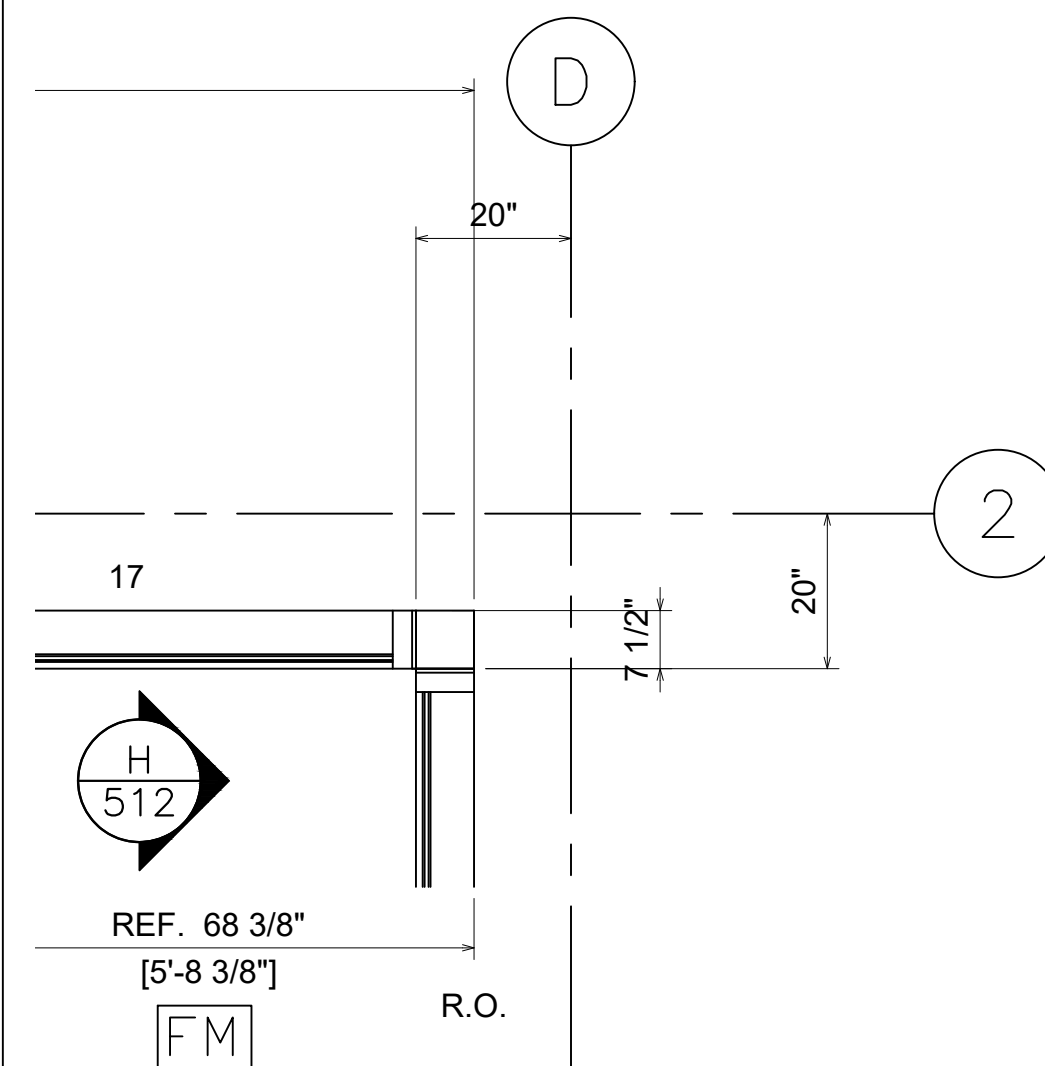
REV. NO.

SHEET NO.:
510

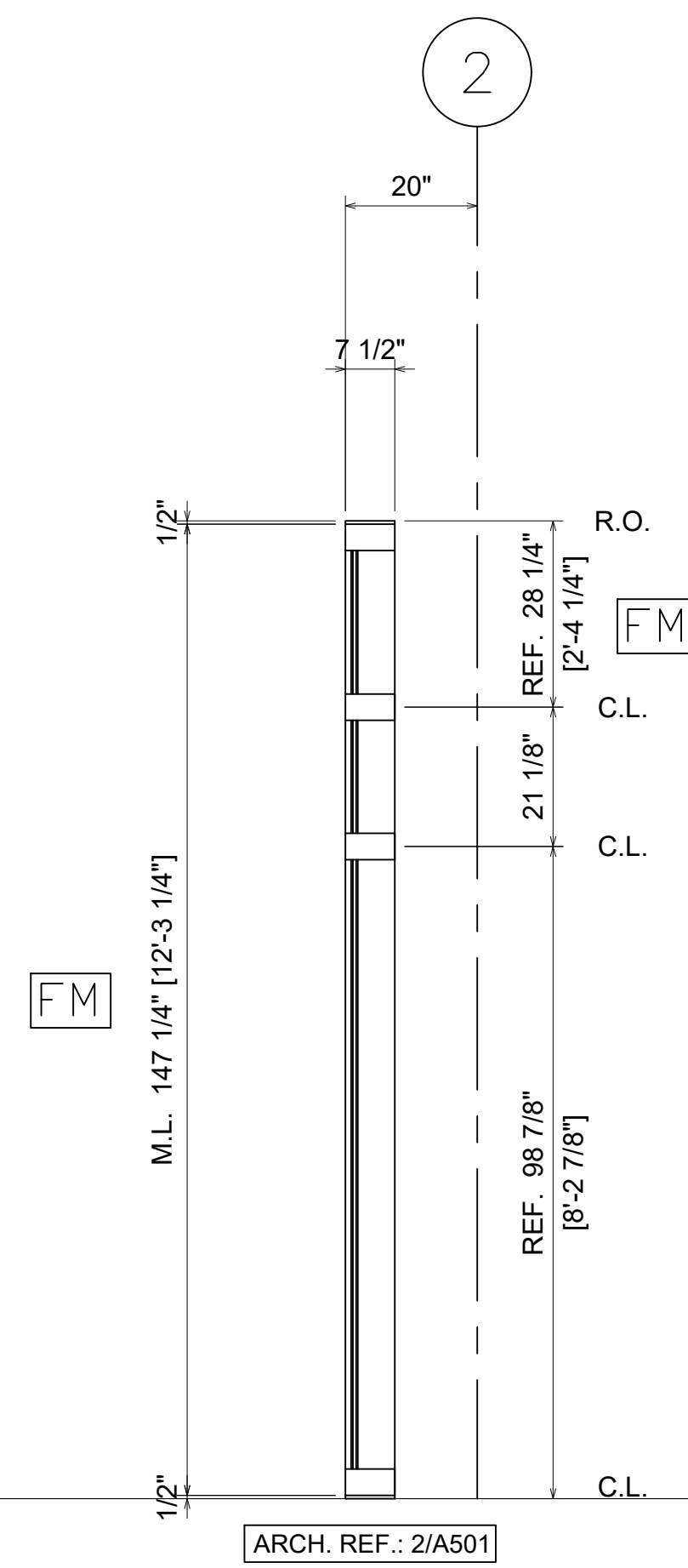
FM = FIELD MEASURED. DIMENSION ALTERED TO FIT FIELD CONDITIONS



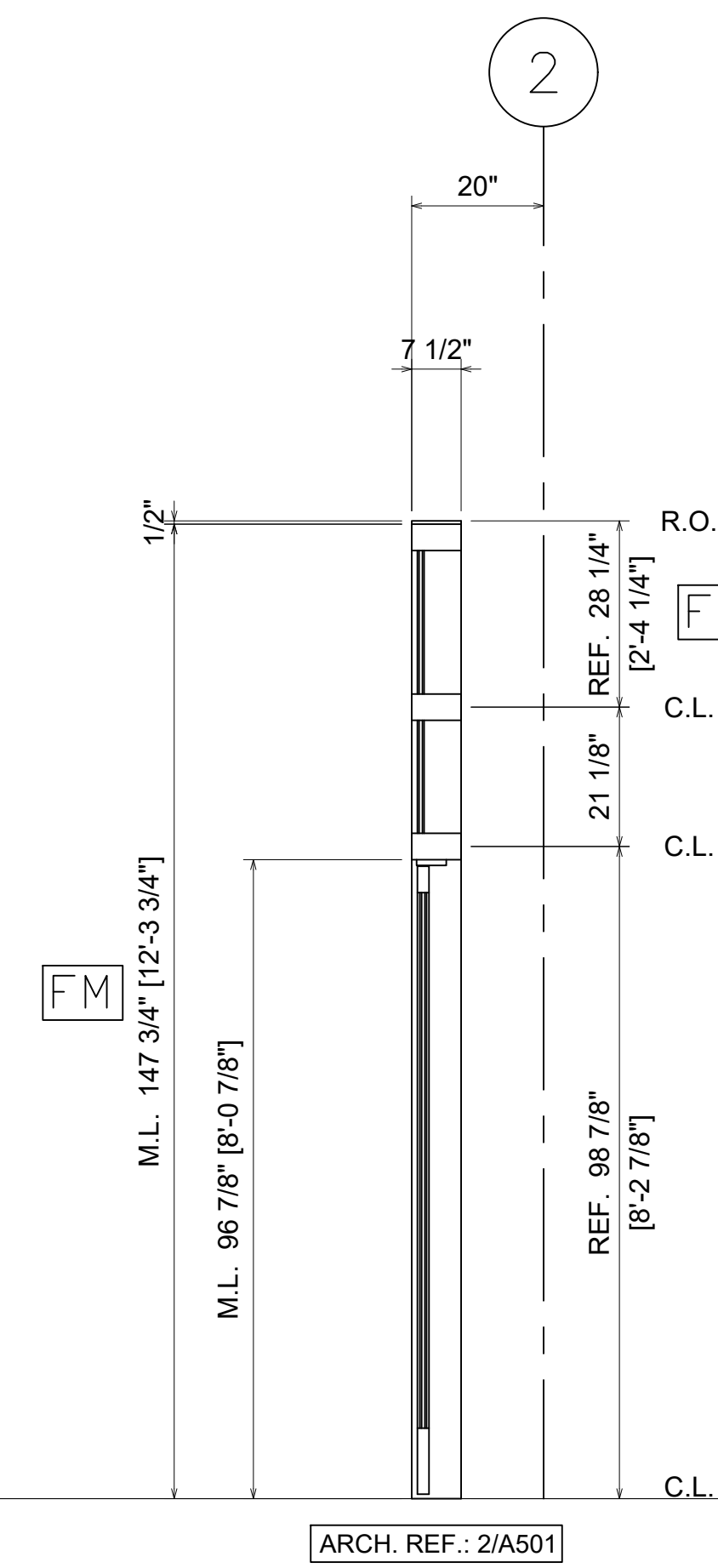
1 AND SURROUNDING PIECES/PARTS TO UNTE BLACK TO MATCH BLACK MULLIONS, ALL ALL DOORS THIS VIEW.



1 SECTION VIEW 1
ARCH. REF.: N/A



2 SECTION VIEW 2
ARCH. REF.: N/A



3 SECTION VIEW 3
ARCH. REF.: N/A

LEVEL 2
114'-0"

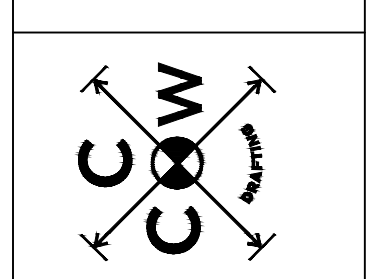
G CURTAIN WALL TYPE 'G' (1) REQ'D
511 LOCATION: OFFICES 231 - 236
TUBELITE 400CW EXTERIOR CURTAIN WALL
ARCH. REF.: 11/A721

SHEET NO.:
511
SCALE:
N.T.S.

SCOPE:
ALUMINUM
CURTAINWALL &
STOREFRONT

PROJECT:
NASHVILLE SC TRAINING FACILITY
4251 CENTURY FARMS TERRACE
NASHVILLE, TN 37013

ALEXANDER METALS INC.
ARCHITECTURAL PRODUCT SPECIALISTS
1407 GLENN AVENUE, NASHVILLE, TENNESSEE 37203
PHONE: (615) 256-8070 FAX: (615) 256-8223
www.AlexanderMetalsInc.com



NO.	DATE	REVISION
4.1	03.02.22	THIRD SUBMITTAL (INTERIOR REVISIONS)
5.1	03.31.22	FOURTH SUBMITTAL (INTERIOR REVISIONS)
6.1	06.15.22	FIFTH SUBMITTAL (CURTAINWALL FIELD MEASUREMENTS)
6.2	06.20.22	SIXTH SUBMITTAL (CURTAINWALL FIELD MEASUREMENTS)
6.3	06.22.22	SEVENTH SUBMITTAL (CURTAINWALL FIELD MEASUREMENTS)
6.4	08.30.22	EIGHTH SUBMITTAL (INTERIOR STOREFRONT FIELD MEASUREMENTS)

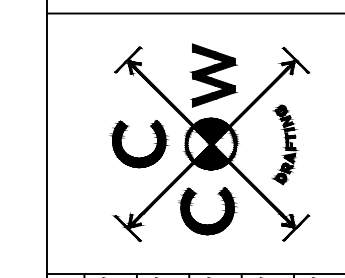
JOB NO. 4047
REV. NO.

SHEET NO.:
511

SCOPE:
ALUMINUM
CURTAINWALL
STOREFRONT

PROJECT:
NASHVILLE SC TRAINING FACILITY
4251 CENTURY FARMS TERRACE
NASHVILLE, TN 37013

**ALEXANDER
METALS INC.**
ARCHITECTURAL PRODUCT SPECIALISTS
107 CEDAR HOLLOW DRIVE, NASHVILLE, TENNESSEE 37203
PHONE: (615) 258-9070 FAX: (615) 258-9823
www.AlexanderMetalsInc.com

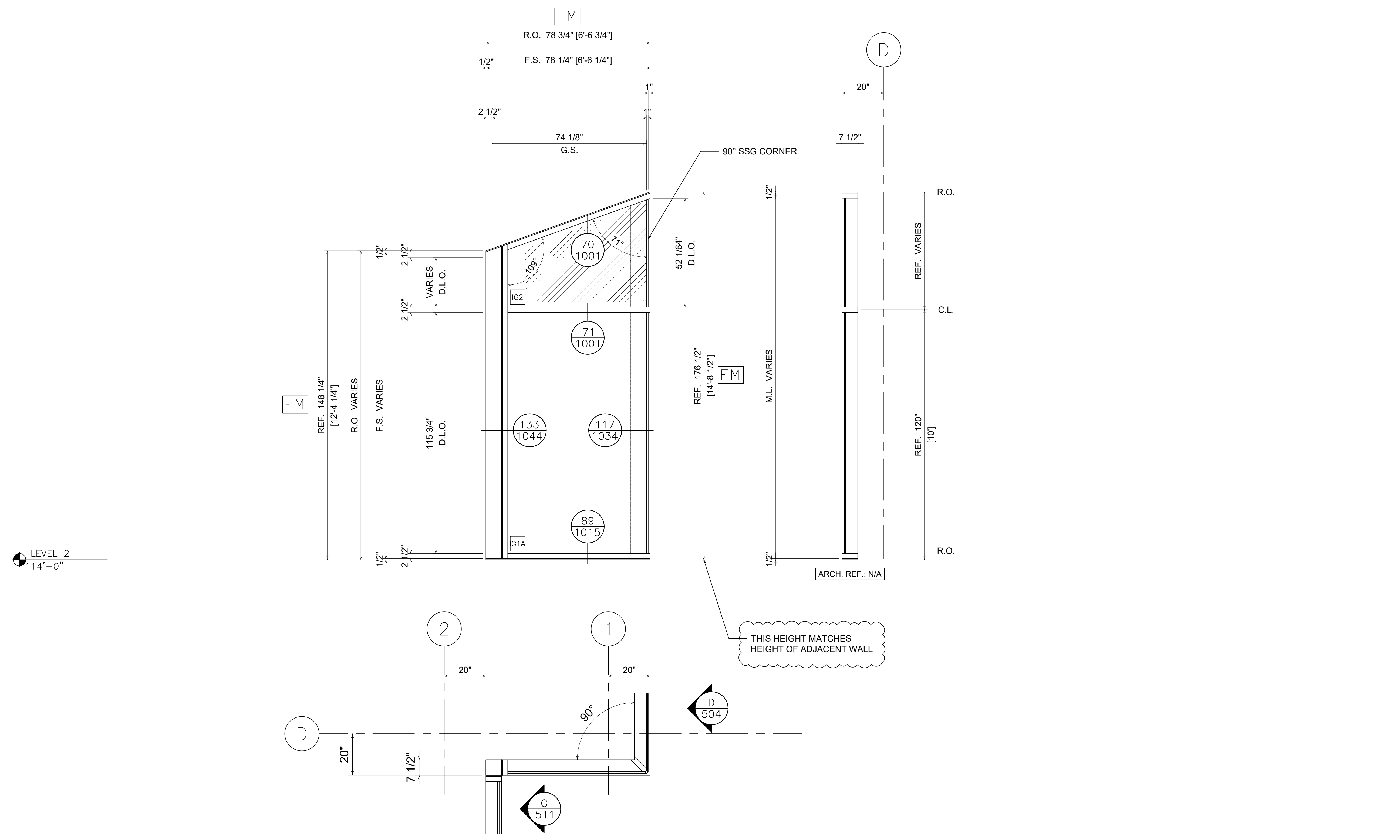


BY: CCW

NO.	DATE	SUBMITTAL / REVISION
4.1	02.02.22	THIRD SUBMITTAL (INTERIOR REVISIONS)
5.1	03.31.22	FOURTH SUBMITTAL (INTERIOR REVISIONS)
6.1	06.15.22	FIFTH SUBMITTAL (CURTAINWALL FIELD MEASUREMENTS)
6.2	06.20.22	SIXTH SUBMITTAL (CURTAINWALL FIELD MEASUREMENTS)
6.3	06.22.22	SEVENTH SUBMITTAL (CURTAINWALL FIELD MEASUREMENTS)
6.4	08.30.22	EIGHTH SUBMITTAL (INTERIOR STOREFRONT FIELD MEASUREMENTS)

JOB NO. 4047

FM = FIELD MEASURED. DIMENSION ALTERED TO FIT FIELD CONDITIONS



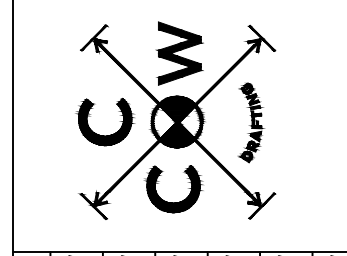
H CURTAIN WALL TYPE 'H' (1) REQ'D
LOCATION: COACH STAFF 237
TUBELITE 400CW EXTERIOR CURTAIN WALL
ARCH. REF.: 13/A721

LEVEL 2
114'-0"

SCOPE:
ALUMINUM
CURTAINWALL
&
STOREFRONT

PROJECT:
NASHVILLE SC TRAINING FACILITY
4251 CENTURY FARMS TERRACE
NASHVILLE, TN 37013

**ALEXANDER
METALS INC.**
ARCHITECTURAL PRODUCT SPECIALISTS
407 GLENN DRIVE, NASHVILLE, TENNESSEE 37203
PHONE: (615) 256-9070 FAX: (615) 256-9623
www.AlexanderMetalsInc.com

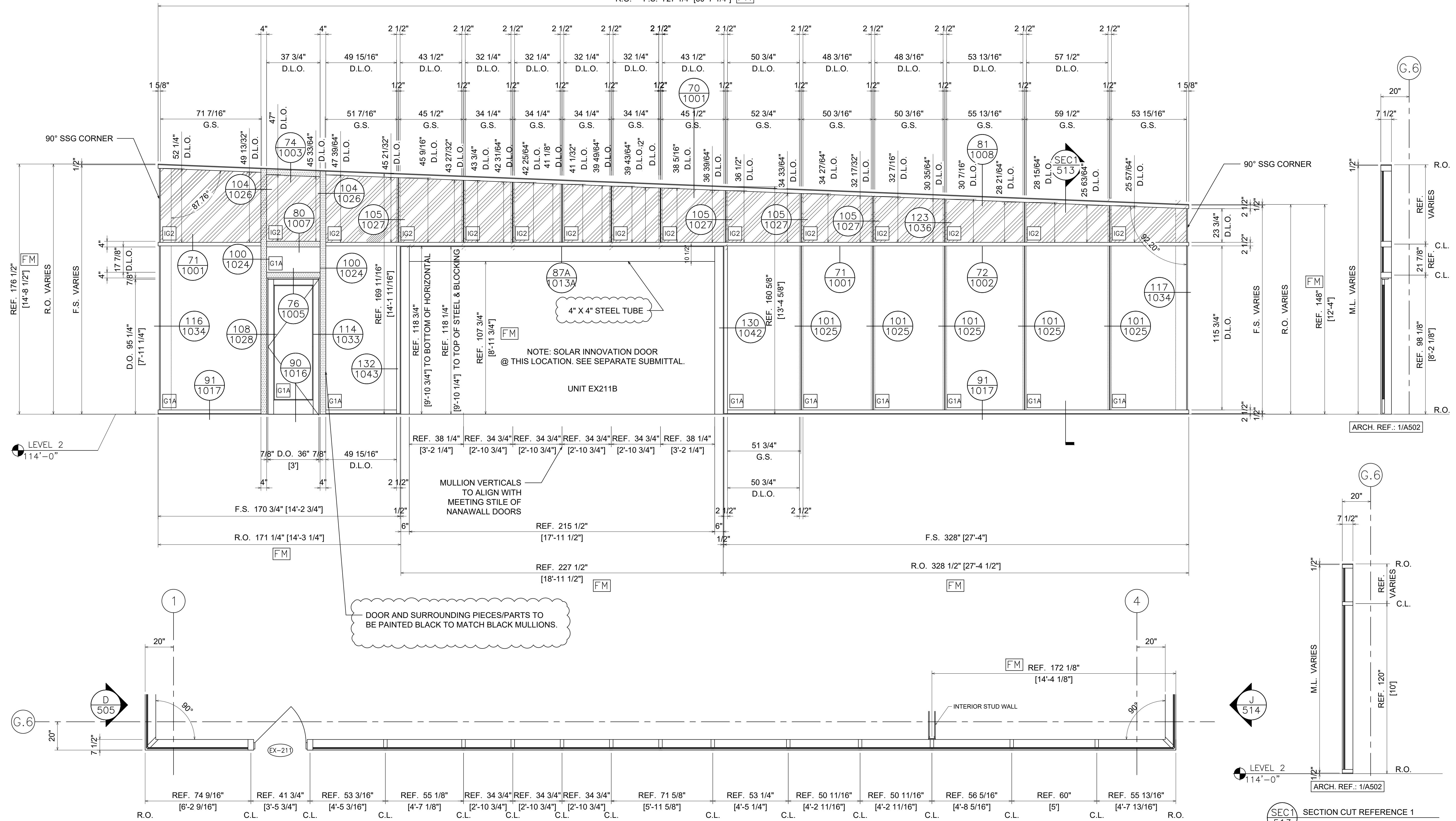


NO.	DATE	REVISION
4.1	03.22	THIRD SUBMITTAL (INTERIOR REVISIONS)
5.1	03.22	FOURTH SUBMITTAL (INTERIOR REVISIONS)
6.1	06.15.22	FIFTH SUBMITTAL (CURTAINWALL FIELD MEASUREMENTS)
6.2	06.22.22	SIXTH SUBMITTAL (CURTAINWALL FIELD MEASUREMENTS)
6.3	06.22.22	SEVENTH SUBMITTAL (CURTAINWALL FIELD MEASUREMENTS)
6.4	06.30.22	EIGHTH SUBMITTAL (INTERIOR STOREFRONT FIELD MEASUREMENTS)

JOB NO. 4047
REV. NO.

[FM] = FIELD MEASURED. DIMENSION ALTERED TO FIT FIELD CONDITIONS

R.O. - F.S. 727 1/4" [60'-7 1/4"] [FM]

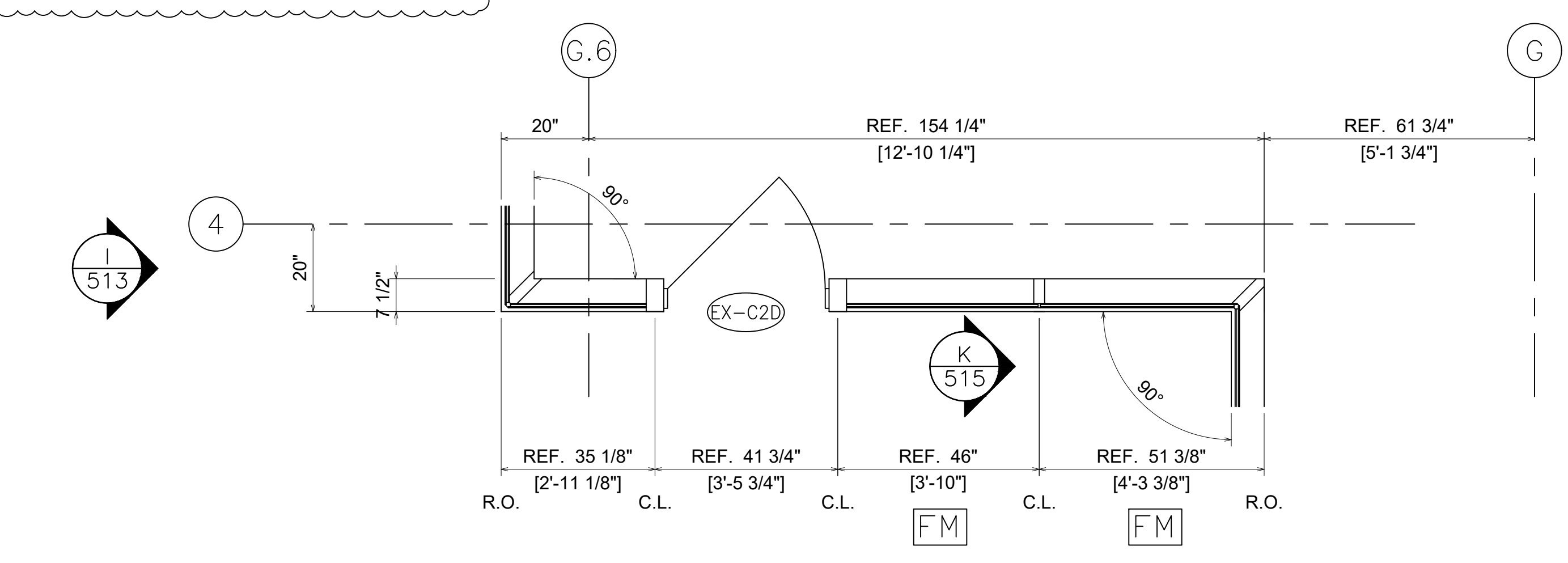
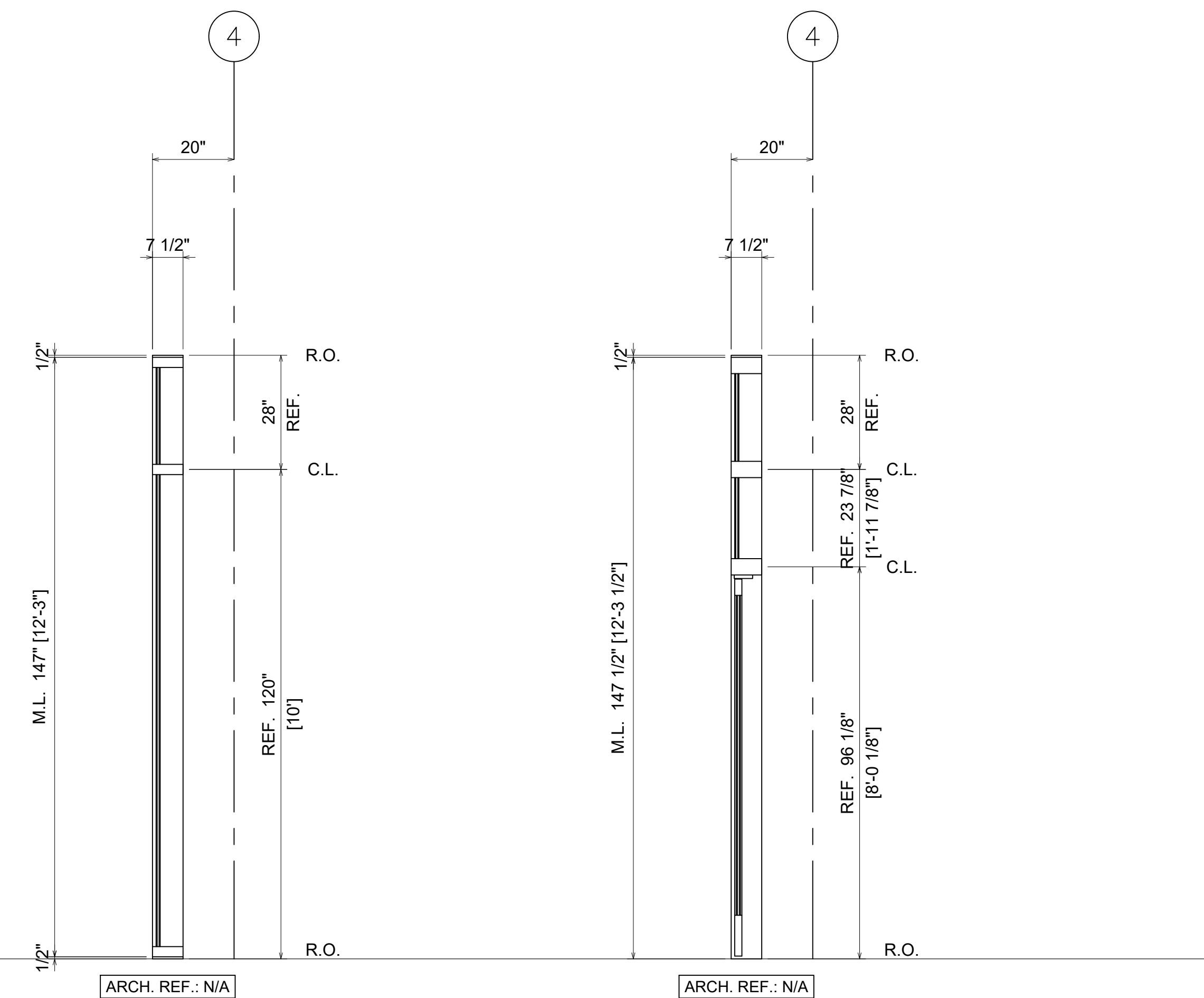
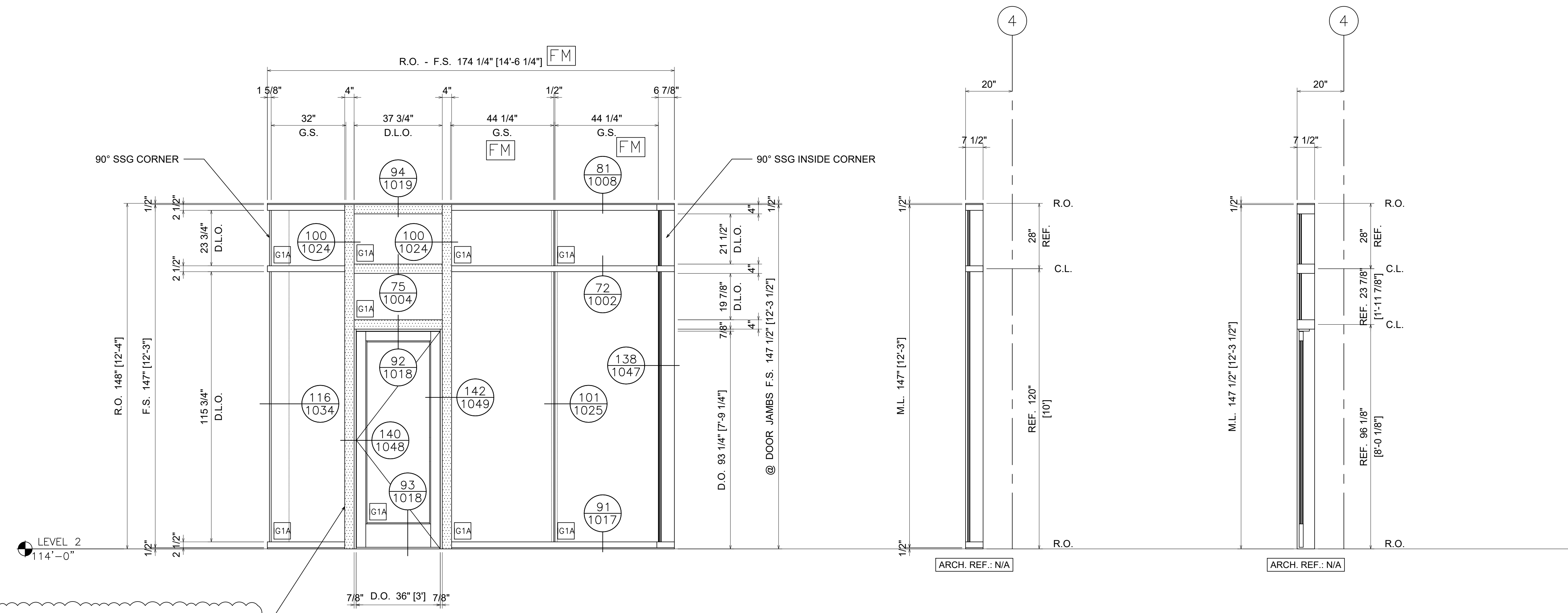


DOOR AND SURROUNDING PIECES/PARTS TO BE PAINTED BLACK TO MATCH BLACK MULLIONS.

1 CURTAIN WALL TYPE '1' (1) REQ'D
513 LOCATION: WEIGHT MEZZ 211
TUBELITE 400CW EXTERIOR CURTAIN WALL
ARCH. REF.: 14/A721

SECTION CUT REFERENCE 1

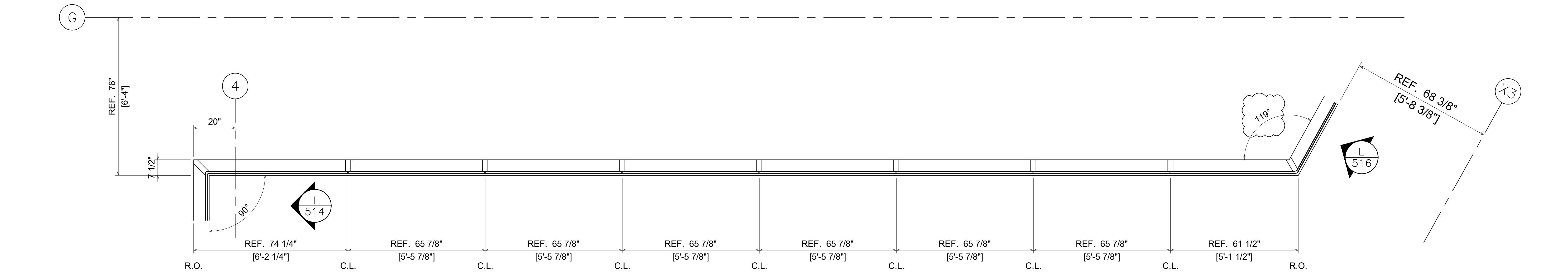
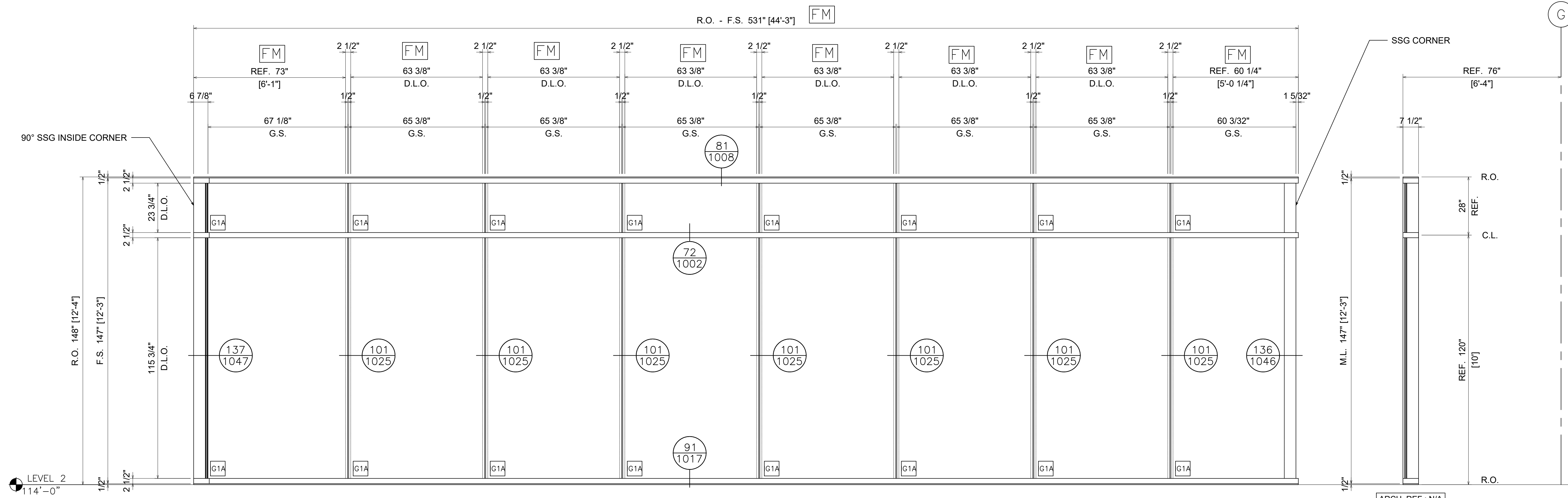
FM = FIELD MEASURED. DIMENSION ALTERED TO FIT FIELD CONDITIONS



J 514 CURTAIN WALL TYPE 'J' (1) REQ'D
 LOCATION: CORRIDOR C2D
 TUBELITE 400CW EXTERIOR CURTAIN WALL
 ARCH. REF.: 15/A721

SHEET NO.:		514	
SCALE:		N.T.S.	
SCOPE:		ALUMINUM CURTAINWALL & STOREFRONT	
PROJECT:		NASHVILLE SC TRAINING FACILITY 4251 CENTURY FARMS TERRACE NASHVILLE, TN 37013	
ARCHITECTURAL PRODUCT SPECIALISTS		ALEXANDER METALS INC. 1070 GLENN AVENUE, NASHVILLE, TENNESSEE 37203 PHONE: (615) 256-9070 FAX: (615) 256-9223 www.AlexanderMetalsInc.com	
BY:	REVISION	SUBMITTAL / REVISION	
CCW		THIRD SUBMITTAL (INTERIOR REVISIONS)	
CCW		FOURTH SUBMITTAL (INTERIOR REVISIONS)	
CCW		FIFTH SUBMITTAL (CURTAINWALL FIELD MEASUREMENTS)	
CCW		SIXTH SUBMITTAL (CURTAINWALL FIELD MEASUREMENTS)	
CCW		SEVENTH SUBMITTAL (CURTAINWALL FIELD MEASUREMENTS)	
CCW		EIGHTH SUBMITTAL (INTERIOR STOREFRONT FIELD MEASUREMENTS)	
NO. DATE		JOB NO. 4047	
NO. DATE		REV. NO.	
NO. DATE		SHEET NO.:	
NO. DATE		514	

FM = FIELD MEASURED. DIMENSION ALTERED TO FIT FIELD CONDITIONS

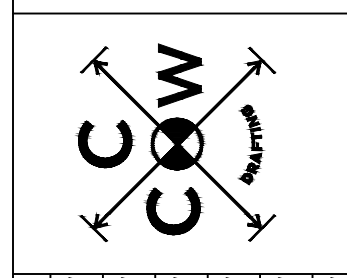


K CURTAIN WALL TYPE 'K' (1) REQ'D
 515 LOCATION: DINING 204
 TUBELITE 400CW EXTERIOR CURTAIN WALL
 ARCH. REF.: 16/A721

SHEET NO.:
515
 SCALE:
 N.T.S.

SCOPE:
 ALUMINUM
 CURTAINWALL &
 STOREFRONT
 PROJECT:
 NASHVILLE SC TRAINING FACILITY
 4251 CENTURY FARMS TERRACE
 NASHVILLE, TN 37013

**ALEXANDER
 METALS INC.**
 ARCHITECTURAL PRODUCT SPECIALISTS
 1007 CEDAR HOLLOW DRIVE, NASHVILLE, TENNESSEE 37203
 PHONE: (615) 256-9070 FAX: (615) 256-9023
 www.AlexanderMetalsInc.com



NO.	DATE	REVISION
4.1	02.02.22	THIRD SUBMITTAL (INTERIOR REVISIONS)
5.1	03.31.22	FOURTH SUBMITTAL (INTERIOR REVISIONS)
6.1	06.15.22	FIFTH SUBMITTAL (CURTAINWALL FIELD MEASUREMENTS)
6.2	06.20.22	SIXTH SUBMITTAL (CURTAINWALL FIELD MEASUREMENTS)
6.3	08.22.22	SEVENTH SUBMITTAL (CURTAINWALL FIELD MEASUREMENTS)
6.4	08.30.22	EIGHTH SUBMITTAL (INTERIOR STOREFRONT FIELD MEASUREMENTS)

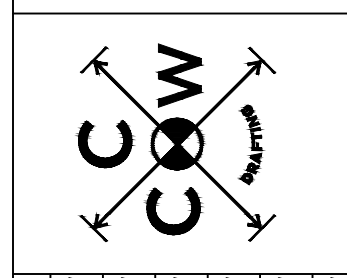
BY: ECW
 JOB NO.: 4047
 REV. NO.:

SHEET NO.:
515

SCOPE:
ALUMINUM
CURTAINWALL
STOREFRONT

PROJECT:
NASHVILLE SC TRAINING FACILITY
4251 CENTURY FARMS TERRACE
NASHVILLE, TN 37013

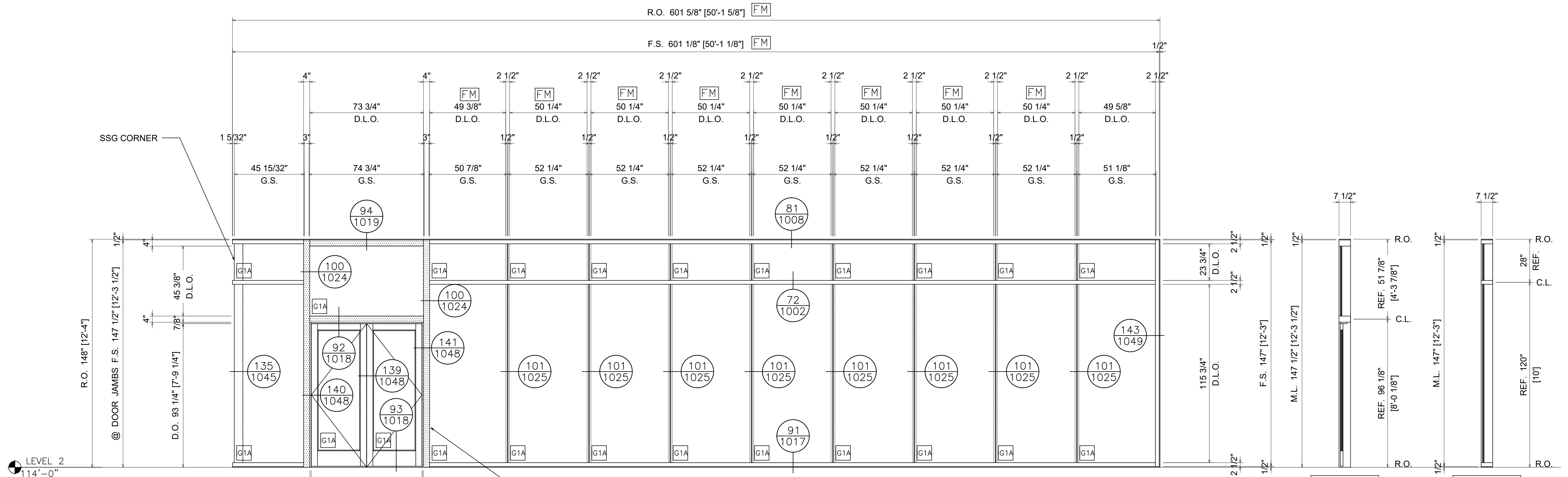
ALEXANDER METALS INC.
ARCHITECTURAL PRODUCT SPECIALISTS
107 CEDAR HILL NASHVILLE, TENNESSEE 37203
PHONE: (615) 258-9070 FAX: (615) 258-9623
www.AlexanderMetalsInc.com



NO.	DATE	REVISION
4.1	02.02.22	THIRD SUBMITTAL (INTERIOR REVISIONS)
5.1	03.31.22	FOURTH SUBMITTAL (INTERIOR REVISIONS)
6.1	06.15.22	FIFTH SUBMITTAL (CURTAINWALL FIELD MEASUREMENTS)
6.2	06.20.22	SIXTH SUBMITTAL (CURTAINWALL FIELD MEASUREMENTS)
6.3	08.22.22	SEVENTH SUBMITTAL (CURTAINWALL FIELD MEASUREMENTS)
6.4	08.30.22	EIGHTH SUBMITTAL (INTERIOR STOREFRONT FIELD MEASUREMENTS)

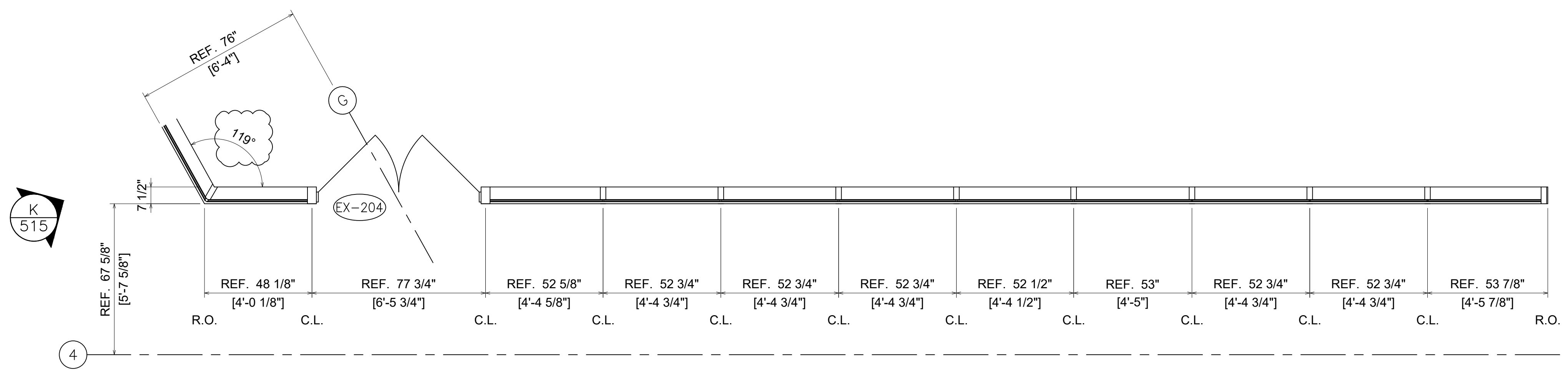
JOB NO. 4047
REV. NO.

[FM] = FIELD MEASURED. DIMENSION ALTERED TO FIT FIELD CONDITIONS



LEVEL 2
114'-0"

DOOR AND SURROUNDING PIECES/PARTS TO BE PAINTED BLACK TO MATCH BLACK MULLIONS.

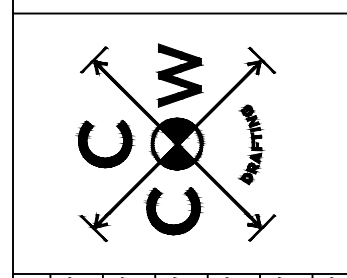


L CURTAIN WALL TYPE 'L' (1) REQ'D
LOCATION: DINING 204
TUBELITE 400CW EXTERIOR CURTAIN WALL
ARCH. REF.: 17/A721

SCOPE:
ALUMINUM
CURTAINWALL
STOREFRONT

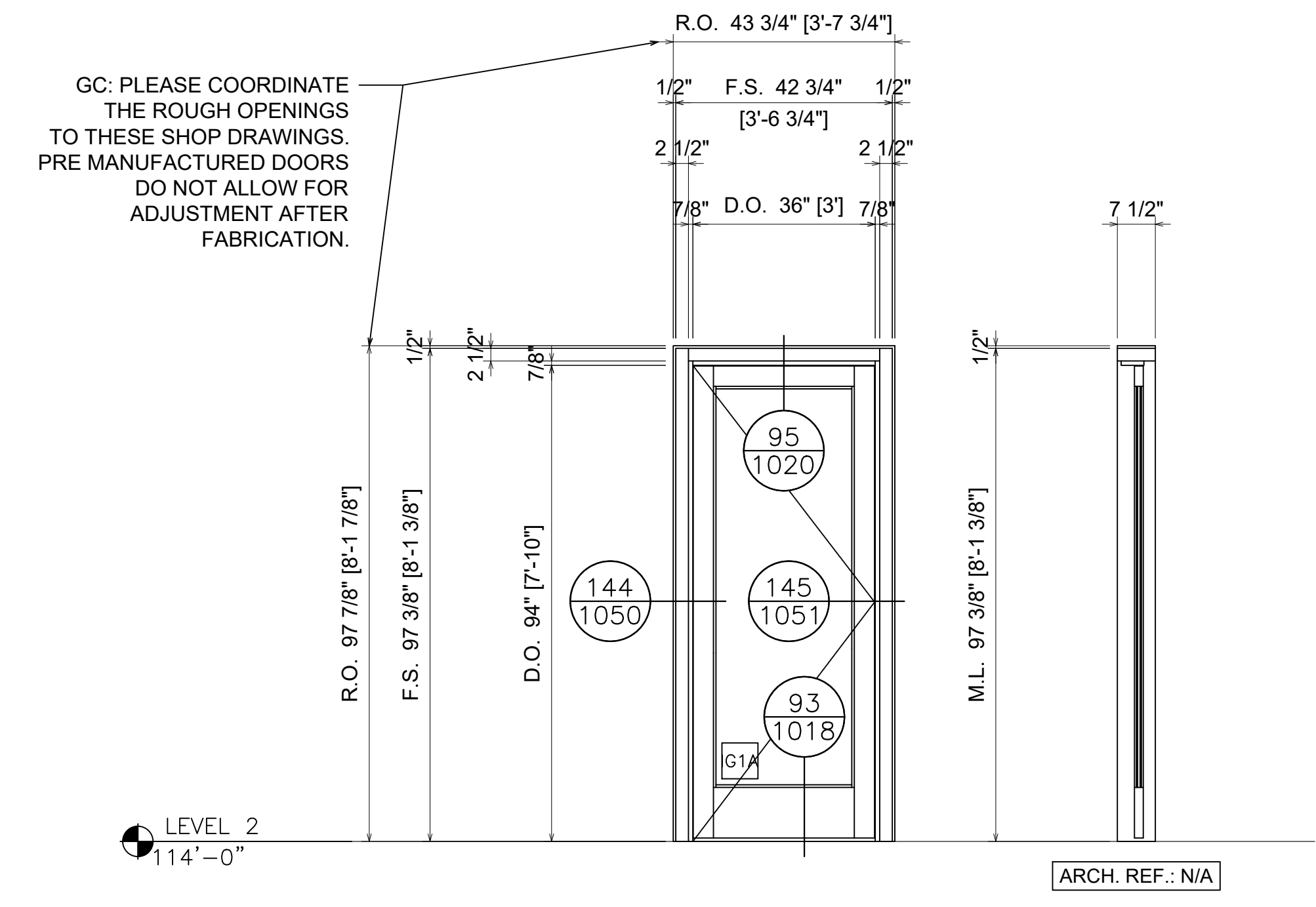
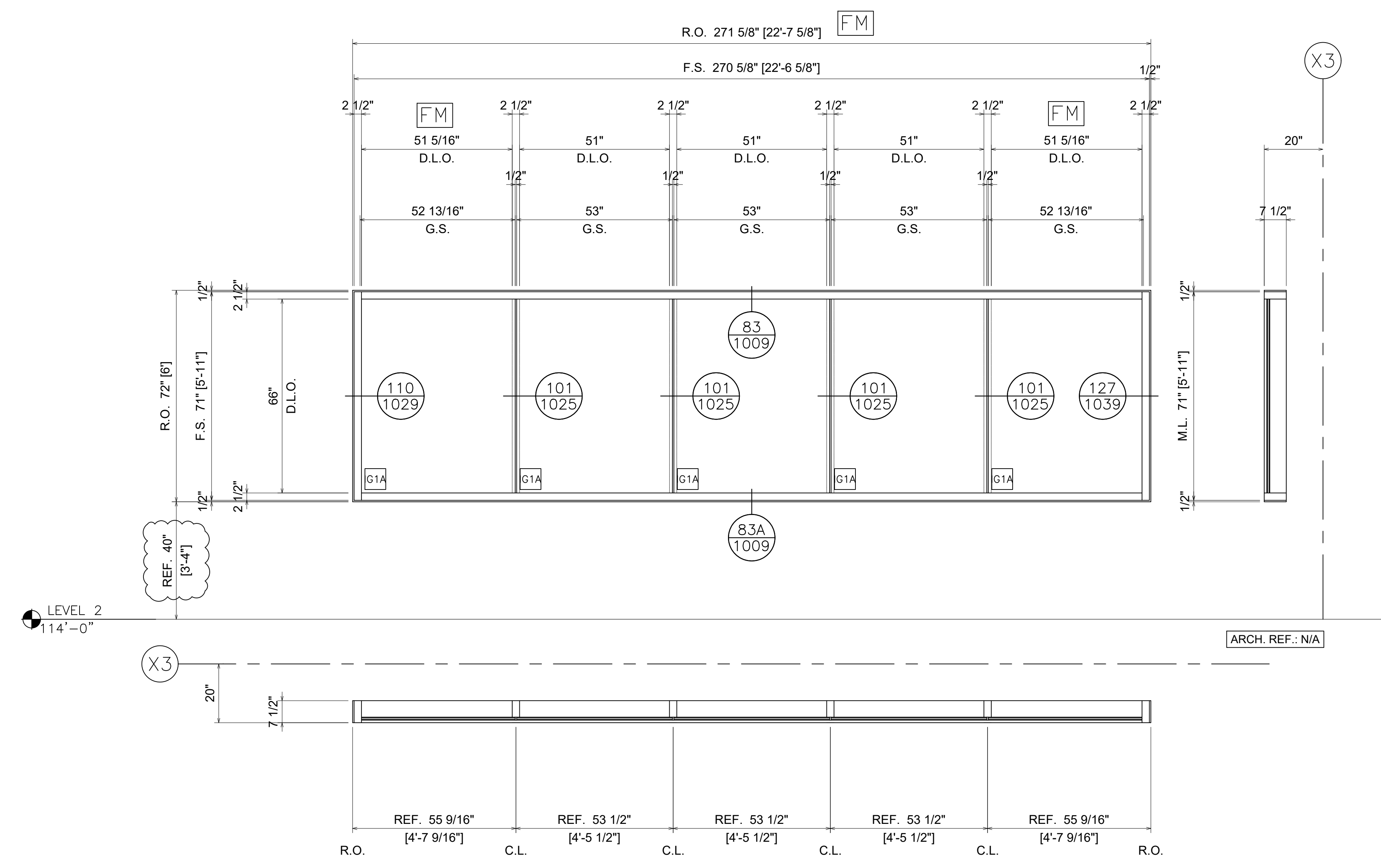
PROJECT:
NASHVILLE SC TRAINING FACILITY
4251 CENTURY FARMS TERRACE
NASHVILLE, TN 37013

**ALEXANDER
METALS INC.**
ARCHITECTURAL PRODUCT SPECIALISTS
107 COLLETT AVENUE, NASHVILLE, TENNESSEE 37203
PHONE: (615) 258-9070 FAX: (615) 258-9823
www.AlexanderMetalsInc.com



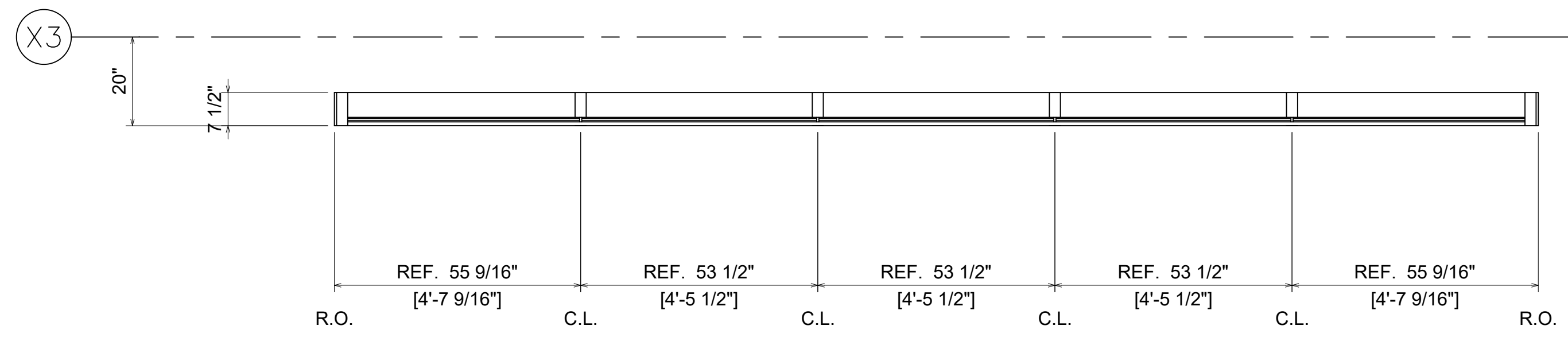
NO.	DATE	REVISION
4.1	01.02.22	THIRD SUBMITTAL (INTERIOR REVISIONS)
5.1	03.31.22	FOURTH SUBMITTAL (INTERIOR REVISIONS)
6.1	06.15.22	FIFTH SUBMITTAL (CURTAINWALL FIELD MEASUREMENTS)
6.2	06.20.22	SIXTH SUBMITTAL (CURTAINWALL FIELD MEASUREMENTS)
6.3	06.22.22	SEVENTH SUBMITTAL (CURTAINWALL FIELD MEASUREMENTS)
6.4	08.30.22	EIGHTH SUBMITTAL (INTERIOR STOREFRONT FIELD MEASUREMENTS)

FM = FIELD MEASURED. DIMENSION ALTERED TO FIT FIELD CONDITIONS

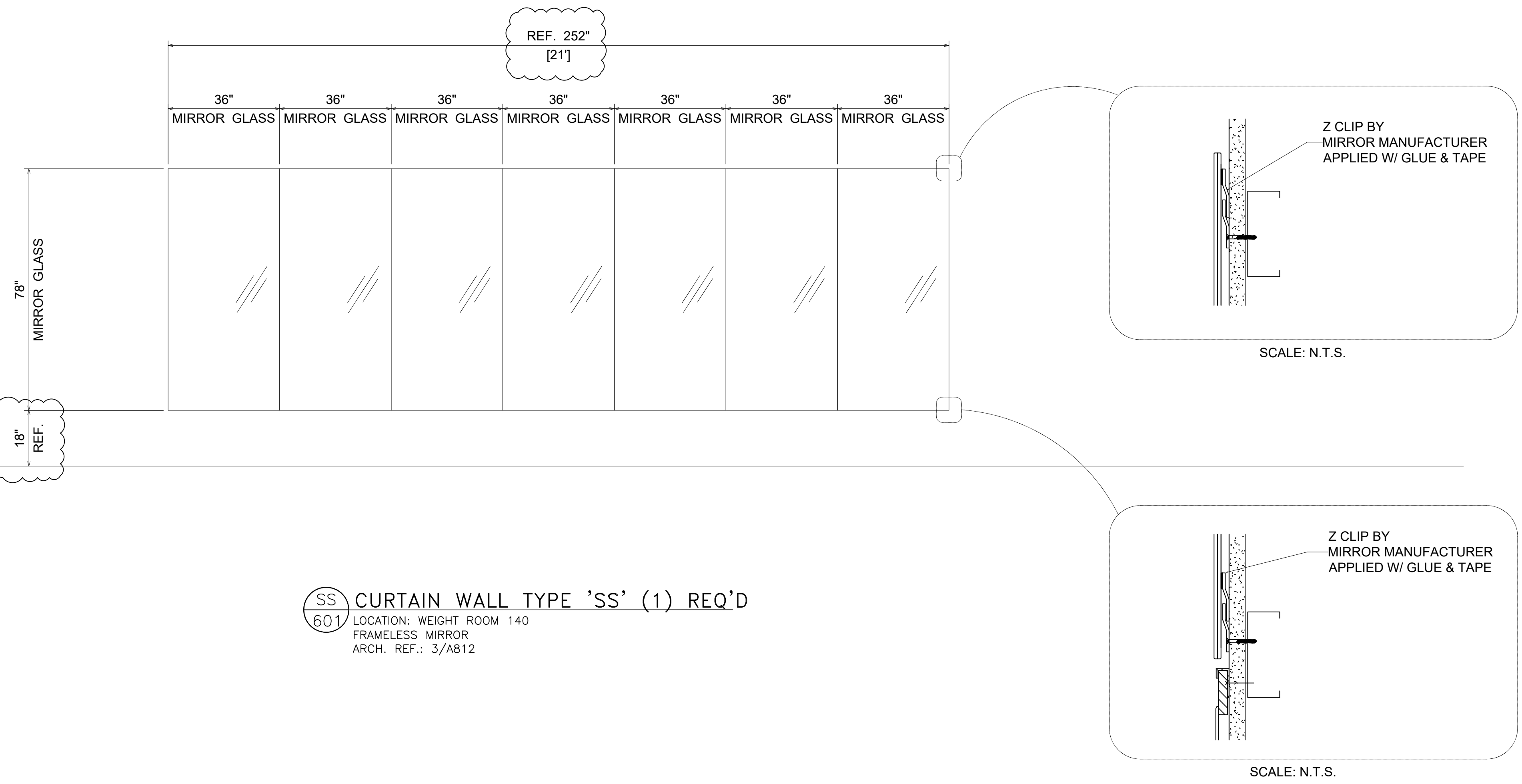


RR
517 CURTAIN WALL TYPE 'RR' (1) REQ'D
LOCATION: COM LOUNGE 203
TUBELITE 400CW EXTERIOR CURTAIN WALL
ARCH. REF.: 5/A302

M
517 CURTAIN WALL TYPE 'M' (1) REQ'D
LOCATION: COM LOUNGE 203
TUBELITE 400CW EXTERIOR CURTAIN WALL
ARCH. REF.: 18/A721



LEVEL 1
100'-0"



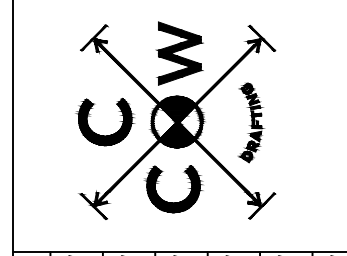
SS
601 CURTAIN WALL TYPE 'SS' (1) REQ'D
LOCATION: WEIGHT ROOM 140
FRAMELESS MIRROR
ARCH. REF.: 3/A812

SHEET NO.:
601
SCALE:
N.T.S.

SCOPE:
ALUMINUM
CURTAINWALL &
STOREFRONT

PROJECT:
NASHVILLE SC TRAINING FACILITY
4251 CENTURY FARMS TERRACE
NASHVILLE, TN 37013

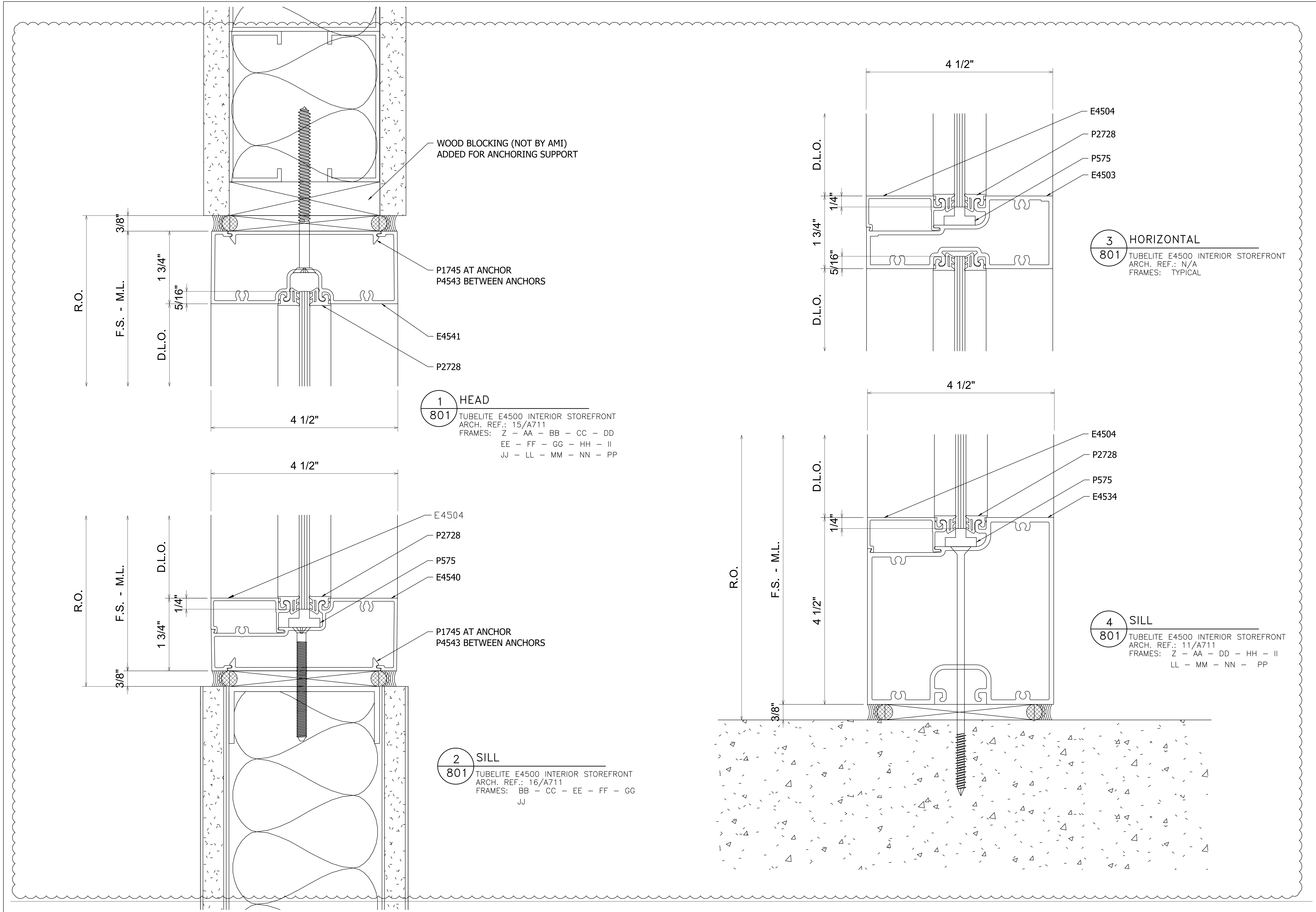
ALEXANDER
AMETALS INC.
ARCHITECTURAL PRODUCT SPECIALISTS
10705 GLENNDALE TERRACE, SUITE 2700
NASHVILLE, TN 37217
PHONE: (615) 256-9070 FAX: (615) 256-9023
www.AlexanderMetalsInc.com



NO.	DATE	REVISION	BY
4.1	01.02.22	THIRD SUBMITTAL (INTERIOR REVISIONS)	CCW
5.1	03.31.22	FOURTH SUBMITTAL (INTERIOR REVISIONS)	CCW
6.1	06.15.22	FIFTH SUBMITTAL (CURTAINWALL FIELD MEASUREMENTS)	CCW
6.2	06.20.22	SIXTH SUBMITTAL (CURTAINWALL FIELD MEASUREMENTS)	CCW
6.3	06.22.22	SEVENTH SUBMITTAL (CURTAINWALL FIELD MEASUREMENTS)	CCW
6.4	08.30.22	EIGHTH SUBMITTAL (INTERIOR STOREFRONT FIELD MEASUREMENTS)	CCW

JOB NO. 4047
REV. NO.

SHEET NO.:
601



1 HEAD
801 TUBELITE E4500 INTERIOR STOREFRONT
 ARCH. REF.: 15/A711
 FRAMES: Z - AA - BB - CC - DD
 EE - FF - GG - HH - II
 JJ - LL - MM - NN - PP

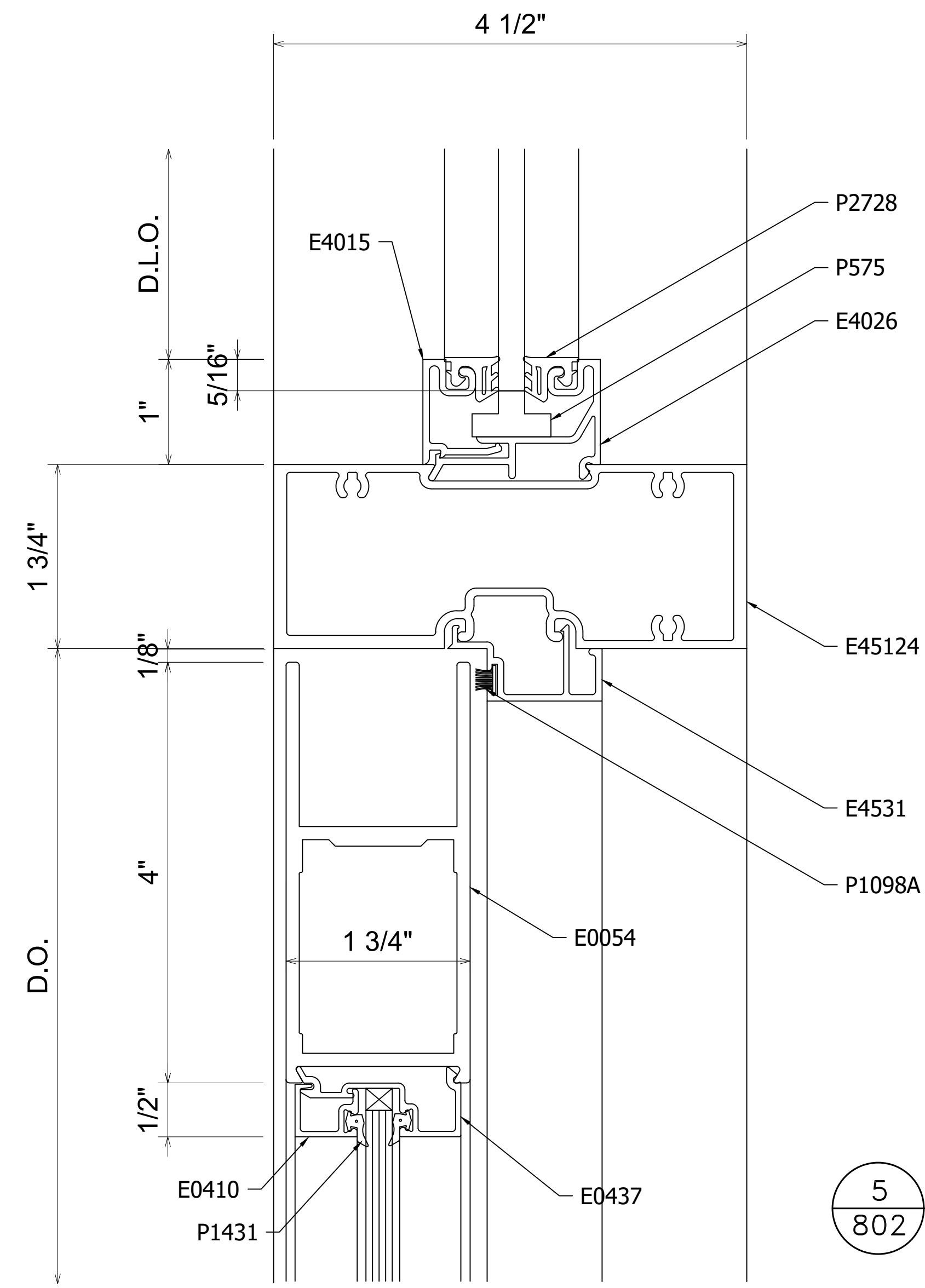
2 SILL
801 TUBELITE E4500 INTERIOR STOREFRONT
 ARCH. REF.: 16/A711
 FRAMES: BB - CC - EE - FF - GG
 JJ

3 HORIZONTAL
801 TUBELITE E4500 INTERIOR STOREFRONT
 ARCH. REF.: N/A
 FRAMES: TYPICAL

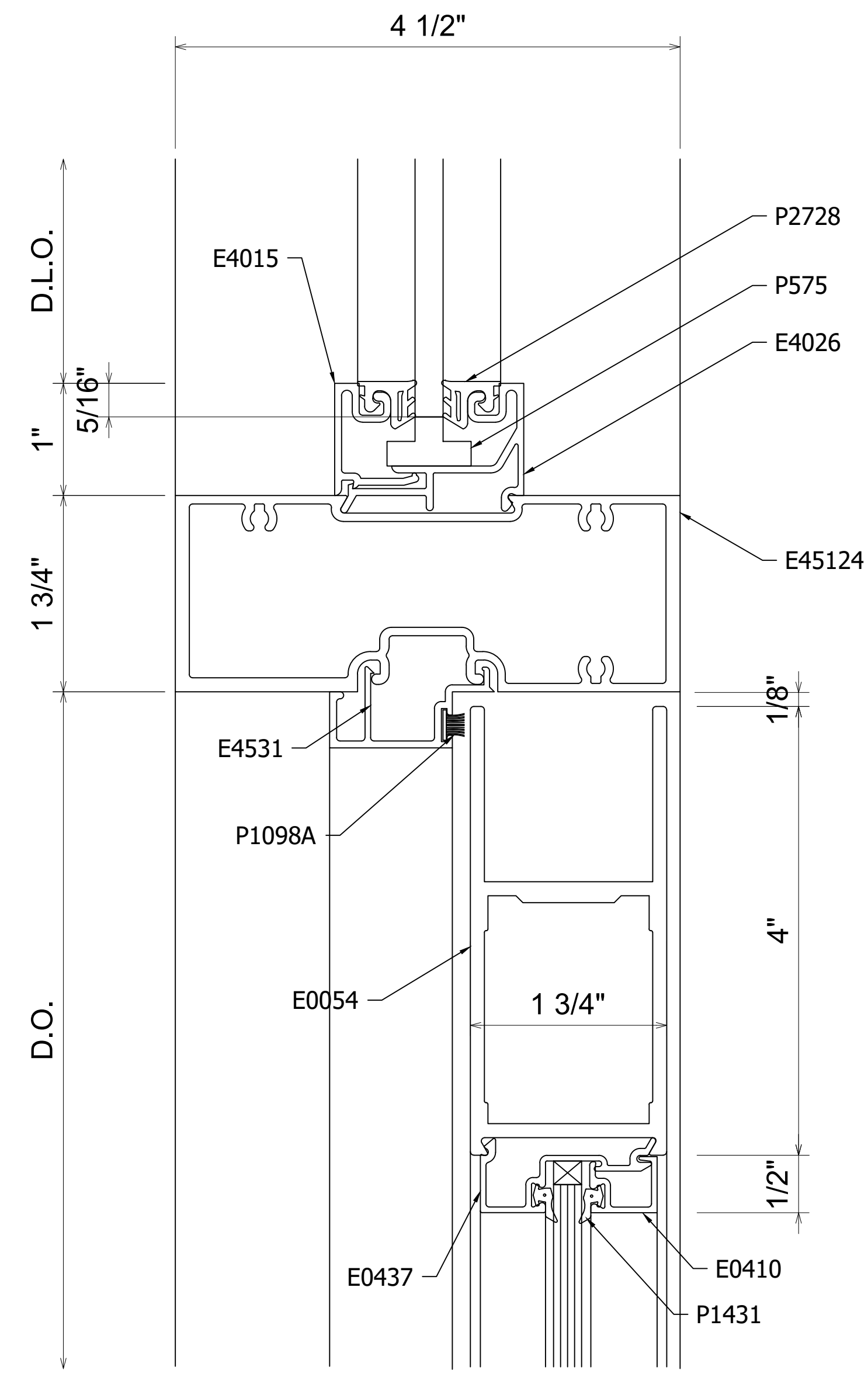
4 SILL
801 TUBELITE E4500 INTERIOR STOREFRONT
 ARCH. REF.: 11/A711
 FRAMES: Z - AA - DD - HH - II
 LL - MM - NN - PP

NO.	DATE	REVISION	BY
4.1	02/22	THIRD SUBMITTAL (INTERIOR REVISIONS)	CCW
5.1	03/22	FOURTH SUBMITTAL (INTERIOR REVISIONS)	CCW
6.1	06/15/22	FIFTH SUBMITTAL (CURTAINWALL FIELD MEASUREMENTS)	CCW
6.2	06/20/22	SIXTH SUBMITTAL (CURTAINWALL FIELD MEASUREMENTS)	CCW
6.3	06/22/22	SEVENTH SUBMITTAL (CURTAINWALL FIELD MEASUREMENTS)	CCW
6.4	08/30/22	EIGHTH SUBMITTAL (INTERIOR STOREFRONT FIELD MEASUREMENTS)	CCW

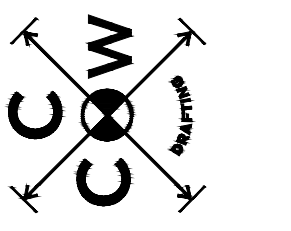
JOB NO. 4047
 REV. NO.



5 DOOR HEAD
 802 TUBELITE E4500 INTERIOR STOREFRONT
 ARCH. REF.: N/A
 FRAMES: Z - DD - HH - NN



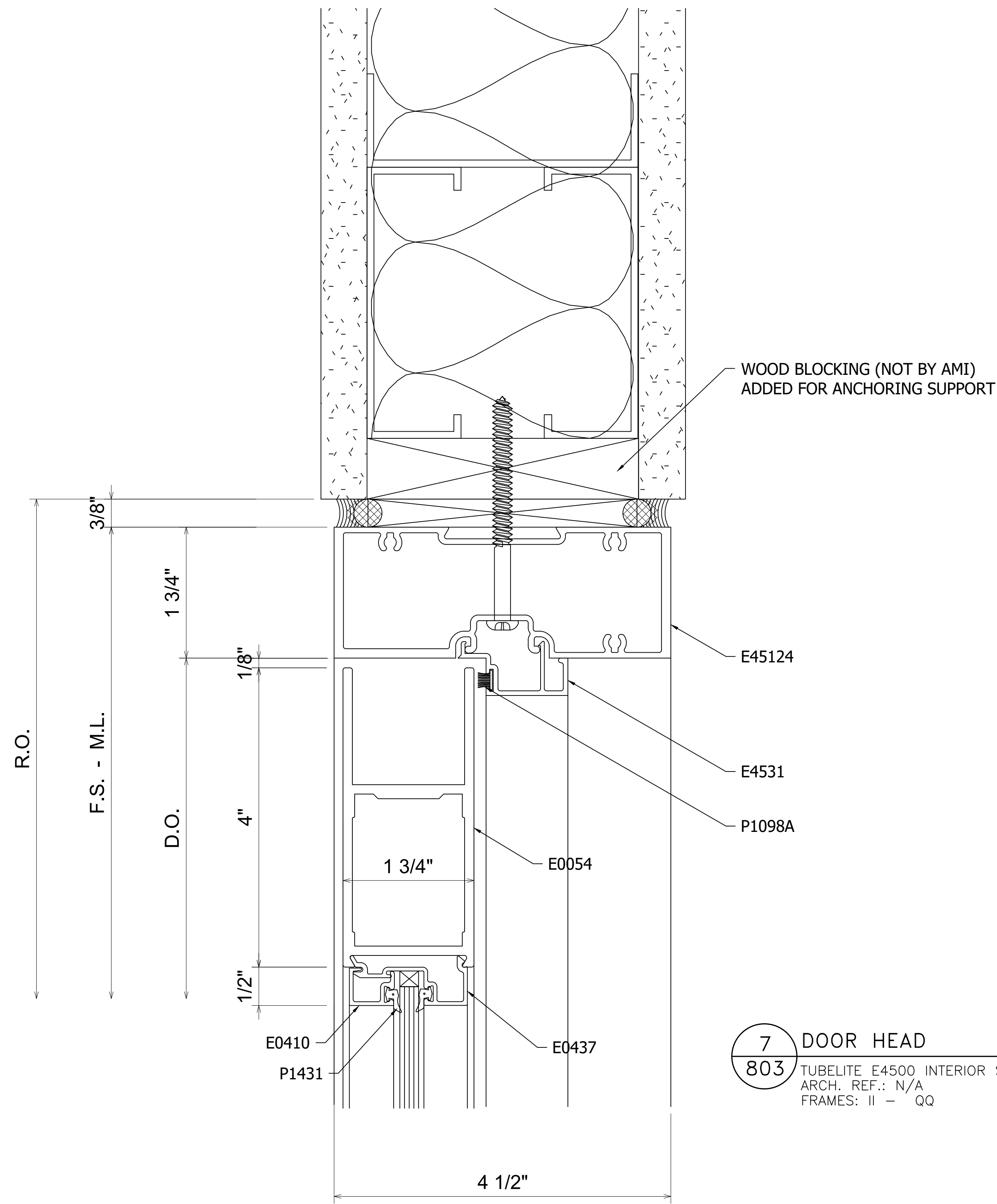
6 DOOR HEAD
 802 TUBELITE E4500 INTERIOR STOREFRONT
 ARCH. REF.: N/A
 FRAMES: A - BB - FF - GG - JJ
 LL



NO.	DATE	REVISION	BY
4.1	01.02.22	THIRD SUBMITTAL (INTERIOR REVISIONS)	CCW
5.1	03.31.22	FOURTH SUBMITTAL (INTERIOR REVISIONS)	CCW
6.1	06.15.22	FIFTH SUBMITTAL (CURTAINWALL FIELD MEASUREMENTS)	CCW
6.2	06.20.22	SIXTH SUBMITTAL (CURTAINWALL FIELD MEASUREMENTS)	CCW
6.3	06.22.22	SEVENTH SUBMITTAL (CURTAINWALL FIELD MEASUREMENTS)	CCW
6.4	08.30.22	EIGHTH SUBMITTAL (INTERIOR STOREFRONT FIELD MEASUREMENTS)	CCW

JOB NO. 4047

REV. NO.



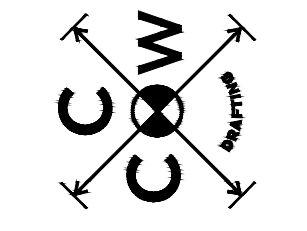
7 DOOR HEAD
803 TUBELITE E4500 INTERIOR STOREFRONT
 ARCH. REF.: N/A
 FRAMES: II - QQ

FRAME "KK" & "OO" DELETED FROM ALEXANDER METALS SCOPE OF WORK

SCOPE:
 ALUMINUM
 CURTAINWALL &
 STOREFRONT

PROJECT:
 NASHVILLE SC TRAINING FACILITY
 4251 CENTURY FARMS TERRACE
 NASHVILLE, TN 37013

ALEXANDER METALS INC.
 ARCHITECTURAL PRODUCT SPECIALISTS
 10705 GLENNDALE TERRACE, SUITE 2700
 NASHVILLE, TN 37210
 PHONE: (615) 256-9070 FAX: (615) 256-9023
 www.AlexanderMetalsInc.com



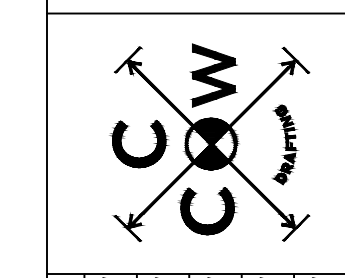
NO.	DATE	SUBMITTAL / REVISION	BY
4.1	02.02.22	THIRD SUBMITTAL (INTERIOR REVISIONS)	CCW
5.1	03.31.22	FOURTH SUBMITTAL (INTERIOR REVISIONS)	CCW
6.1	06.15.22	FIFTH SUBMITTAL (CURTAINWALL FIELD MEASUREMENTS)	CCW
6.2	06.20.22	SIXTH SUBMITTAL (CURTAINWALL FIELD MEASUREMENTS)	CCW
6.3	06.22.22	SEVENTH SUBMITTAL (CURTAINWALL FIELD MEASUREMENTS)	CCW
6.4	08.30.22	EIGHTH SUBMITTAL (INTERIOR STOREFRONT FIELD MEASUREMENTS)	CCW

JOB NO. 4047
 REV. NO.

SCOPE:
ALUMINUM
CURTAINWALL &
STOREFRONT

PROJECT:
NASHVILLE SC TRAINING FACILITY
4251 CENTURY FARMS TERRACE
NASHVILLE, TN 37013

ALEXANDER METALS INC.
ARCHITECTURAL PRODUCT SPECIALISTS
10705 OLD NASHVILLE TURNPIKE, SUITE 2700
NASHVILLE, TN 37210
PHONE: (615) 258-9070 FAX: (615) 258-9023
www.AlexanderMetalsInc.com

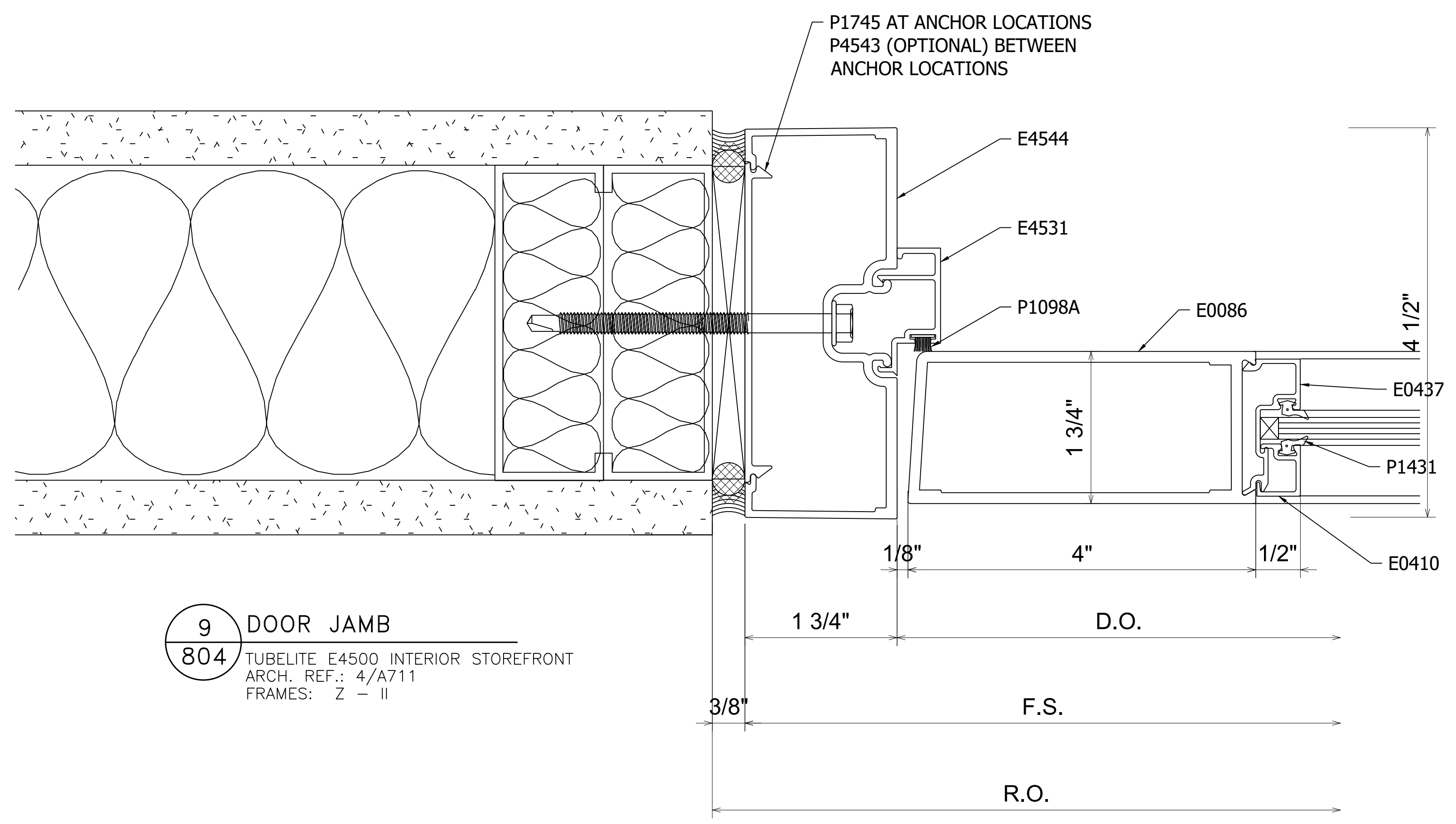


BY: CCW

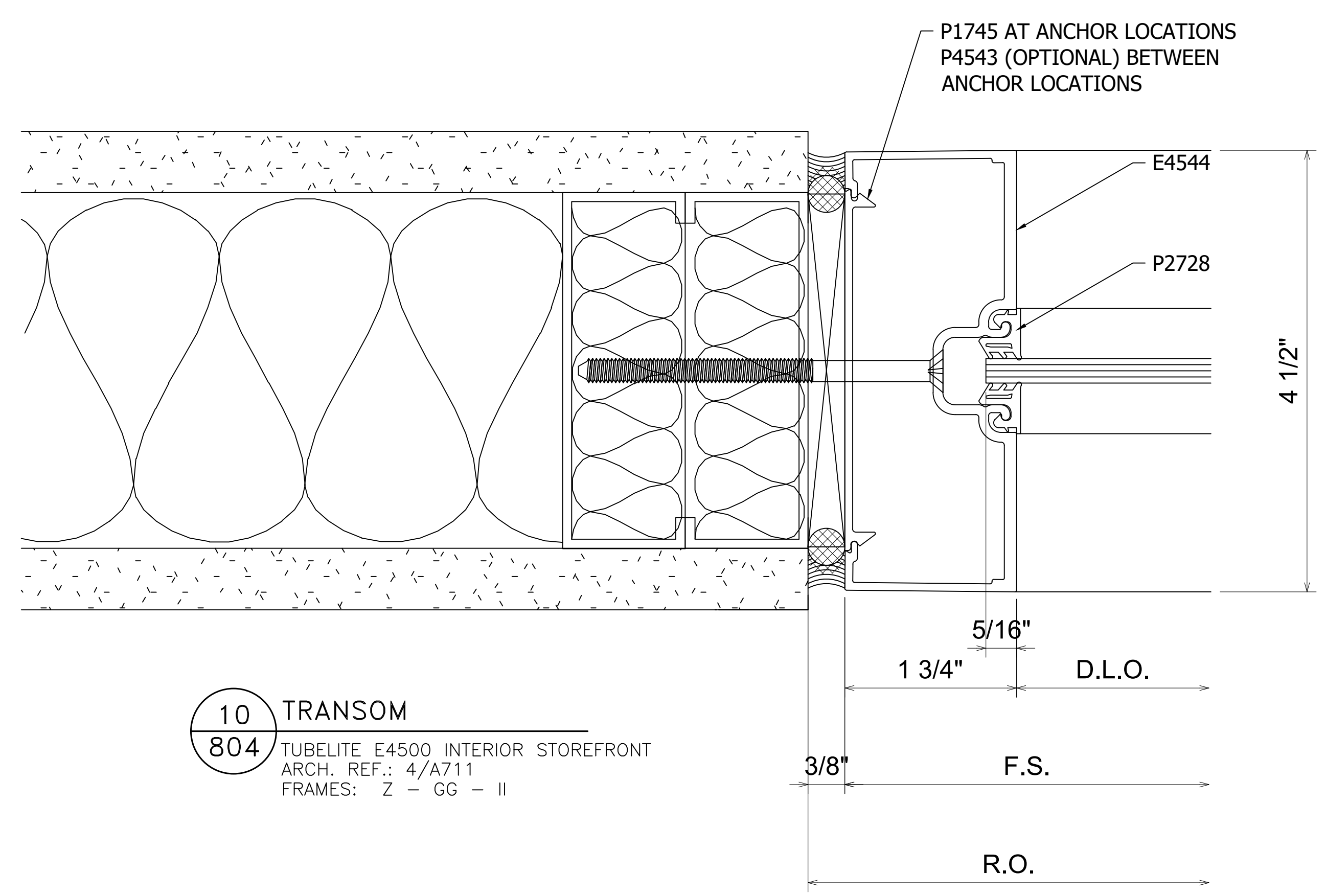
NO.	DATE	REVISION
1	01/22	THIRD SUBMITTAL (INTERIOR REVISIONS)
2	03/12	FOURTH SUBMITTAL (INTERIOR REVISIONS)
3	05/11	FIFTH SUBMITTAL (CURTAINWALL FIELD MEASUREMENTS)
4	06/15	SIXTH SUBMITTAL (CURTAINWALL FIELD MEASUREMENTS)
5	06/22	SEVENTH SUBMITTAL (CURTAINWALL FIELD MEASUREMENTS)
6	08/22	EIGHTH SUBMITTAL (CURTAINWALL FIELD MEASUREMENTS)
7	08/31	NINTH SUBMITTAL (CURTAINWALL FIELD MEASUREMENTS)
8	09/22	TENTH SUBMITTAL (CURTAINWALL FIELD MEASUREMENTS)
9	10/22	ELEVENTH SUBMITTAL (CURTAINWALL FIELD MEASUREMENTS)
10	11/22	Twelfth Submittal (CURTAINWALL FIELD MEASUREMENTS)

JOB NO. 4047

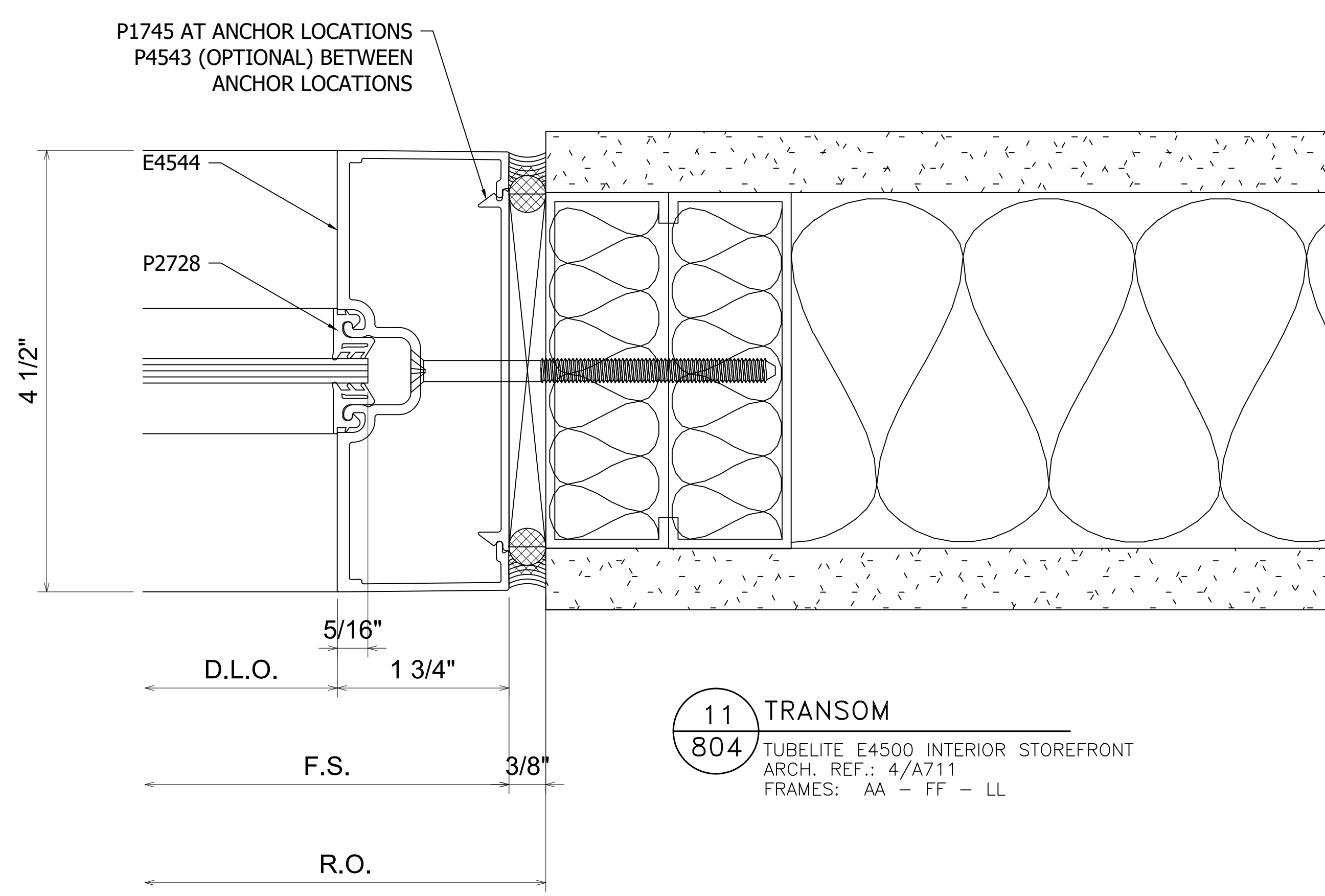
REV. NO.



9 DOOR JAMB
804 TUBELITE E4500 INTERIOR STOREFRONT
ARCH. REF.: 4/A711
FRAMES: Z - II

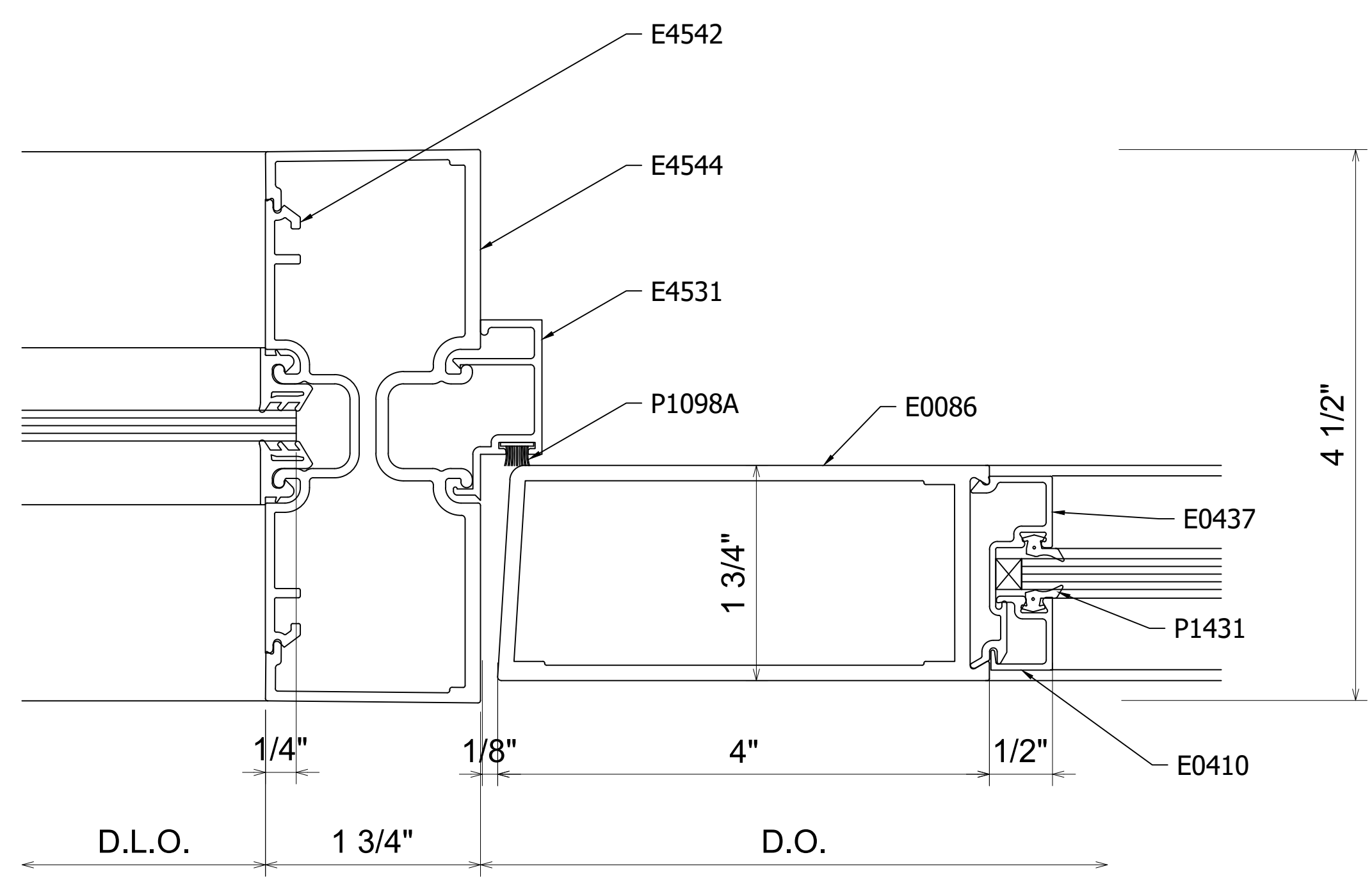


10 TRANSOM
804 TUBELITE E4500 INTERIOR STOREFRONT
ARCH. REF.: 4/A711
FRAMES: Z - GG - II

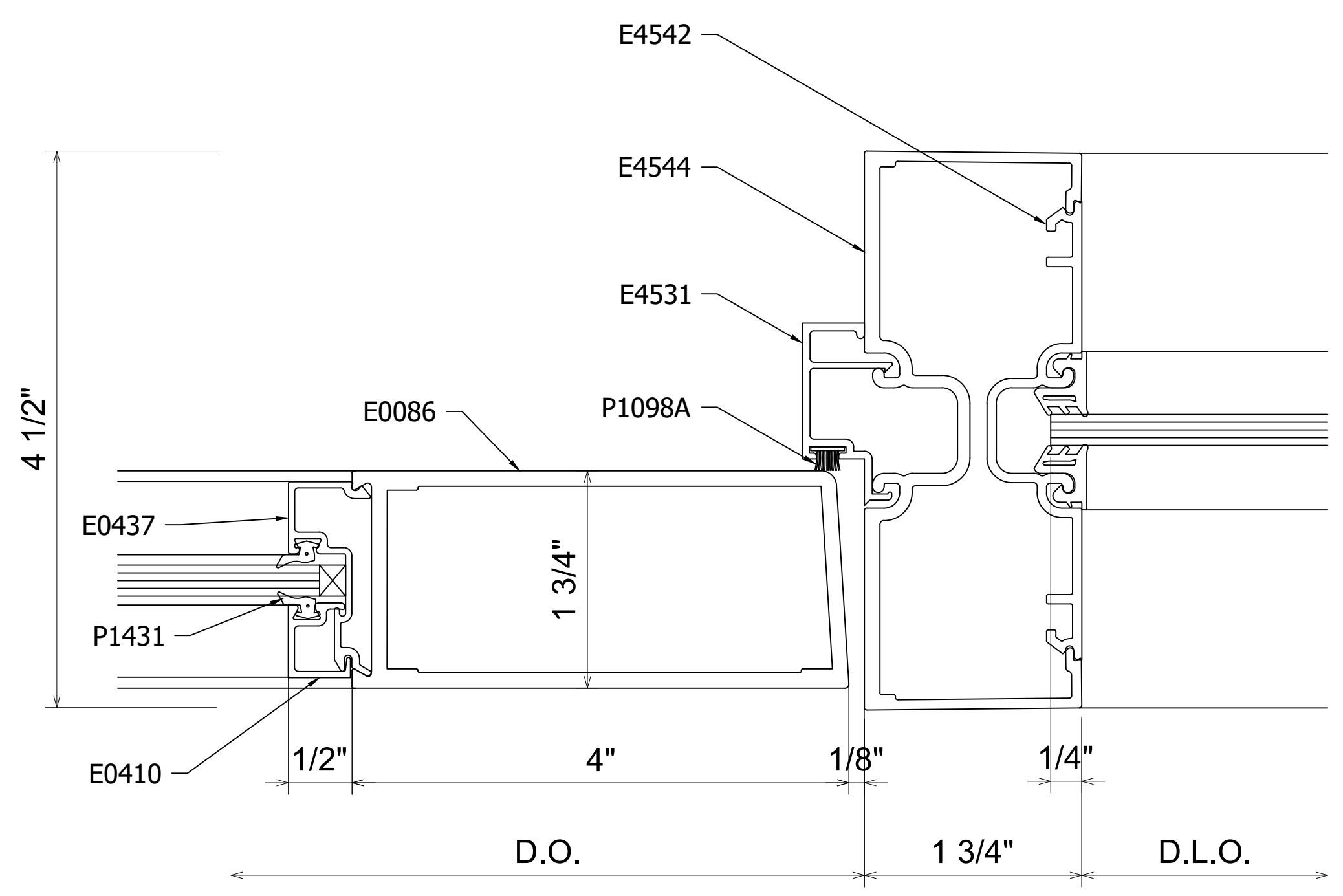


11 TRANSOM
804 TUBELITE E4500 INTERIOR STOREFRONT
ARCH. REF.: 4/A711
FRAMES: AA - FF - LL

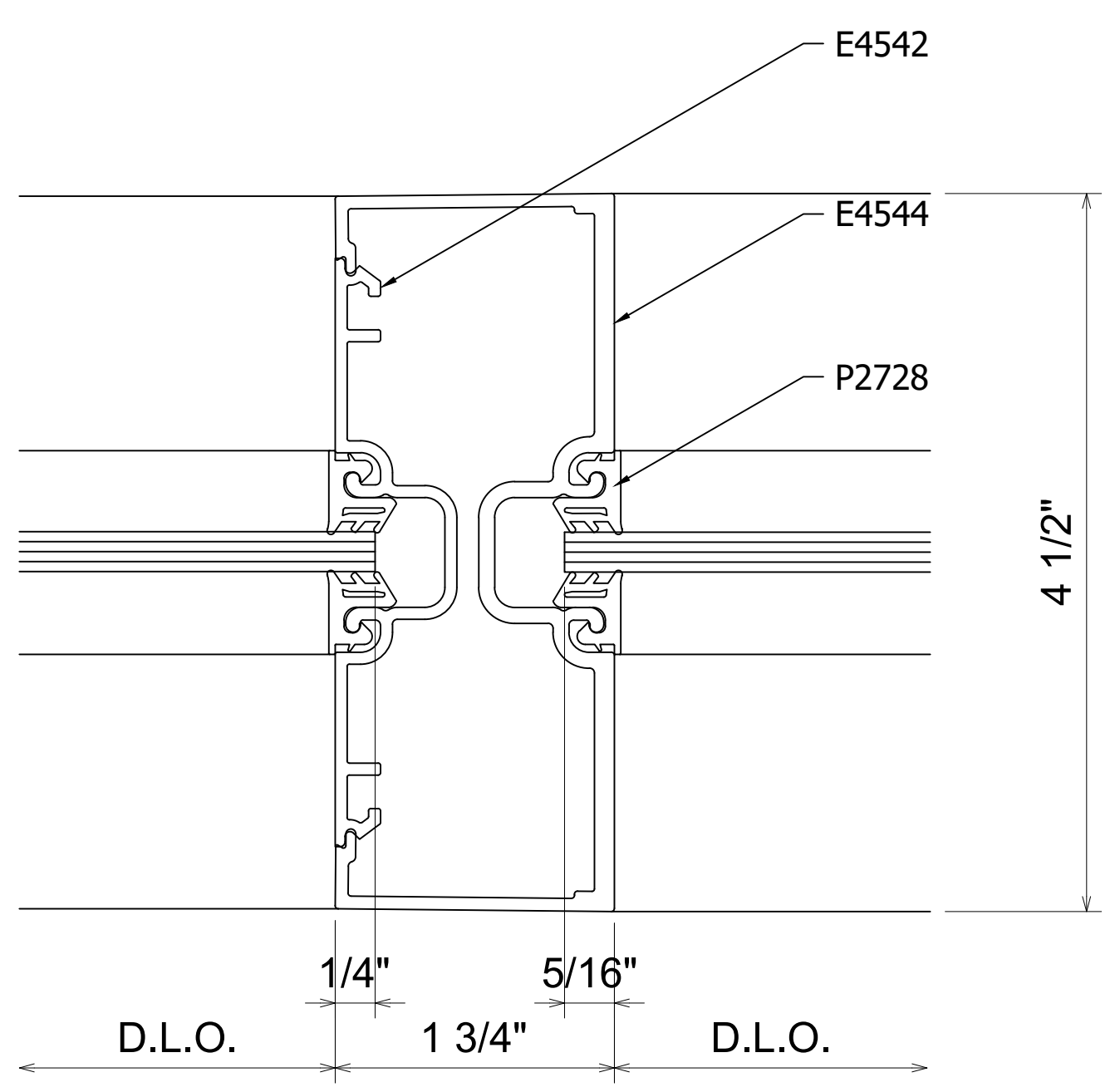
NO.	DATE	REVISION
4.1	02/22	THIRD SUBMITTAL (INTERIOR REVISIONS)
5.1	03/12	FOURTH SUBMITTAL (INTERIOR REVISIONS)
6.1	06/15/22	FIFTH SUBMITTAL (CURTAINWALL FIELD MEASUREMENTS)
6.2	06/20/22	SIXTH SUBMITTAL (CURTAINWALL FIELD MEASUREMENTS)
6.3	08/22/22	SEVENTH SUBMITTAL (CURTAINWALL FIELD MEASUREMENTS)
6.4	08/30/22	EIGHTH SUBMITTAL (INTERIOR STOREFRONT FIELD MEASUREMENTS)



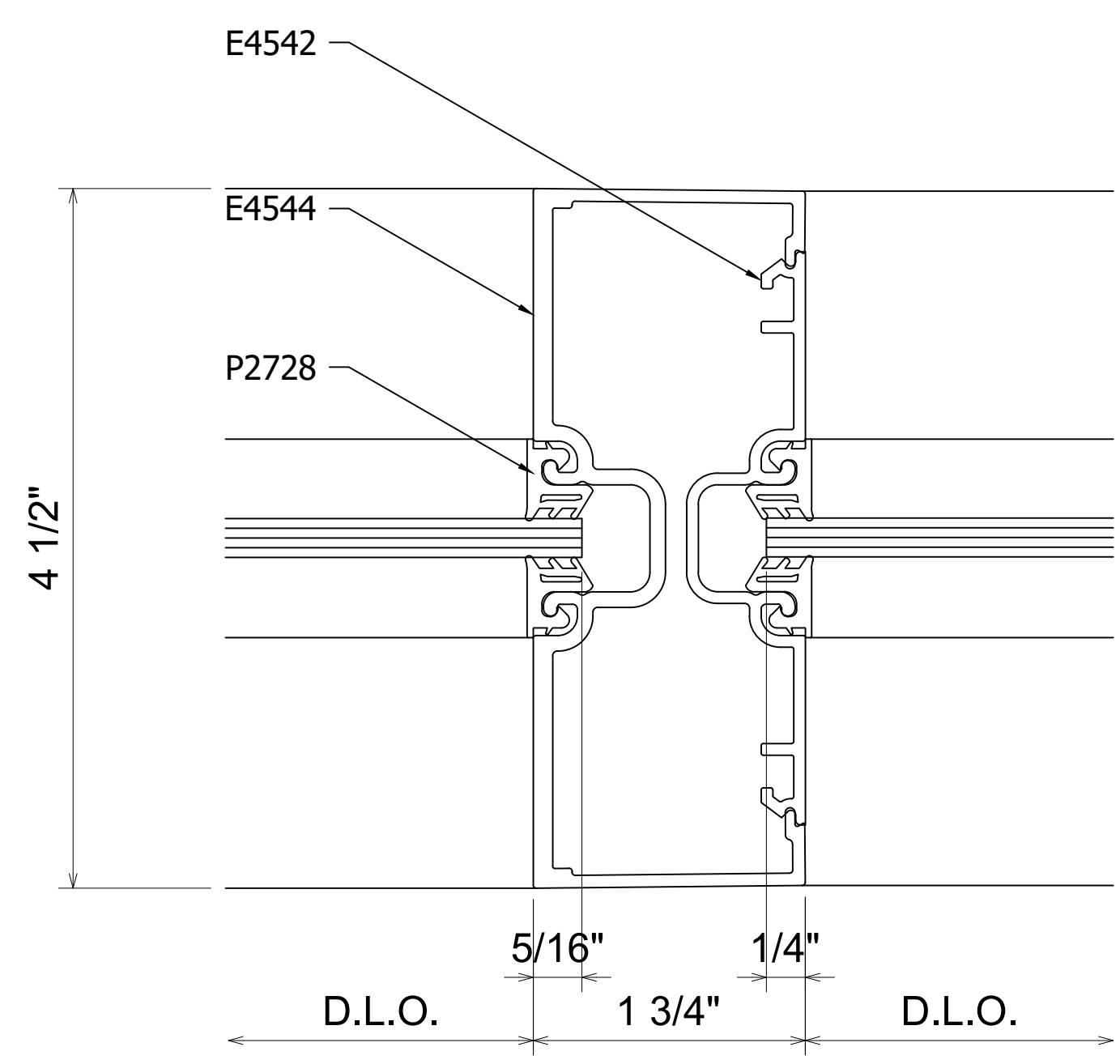
12 DOOR JAMB
805 TUBELITE E4500 INTERIOR STOREFRONT
 ARCH. REF.: N/A
 FRAMES: DD - HH - NN



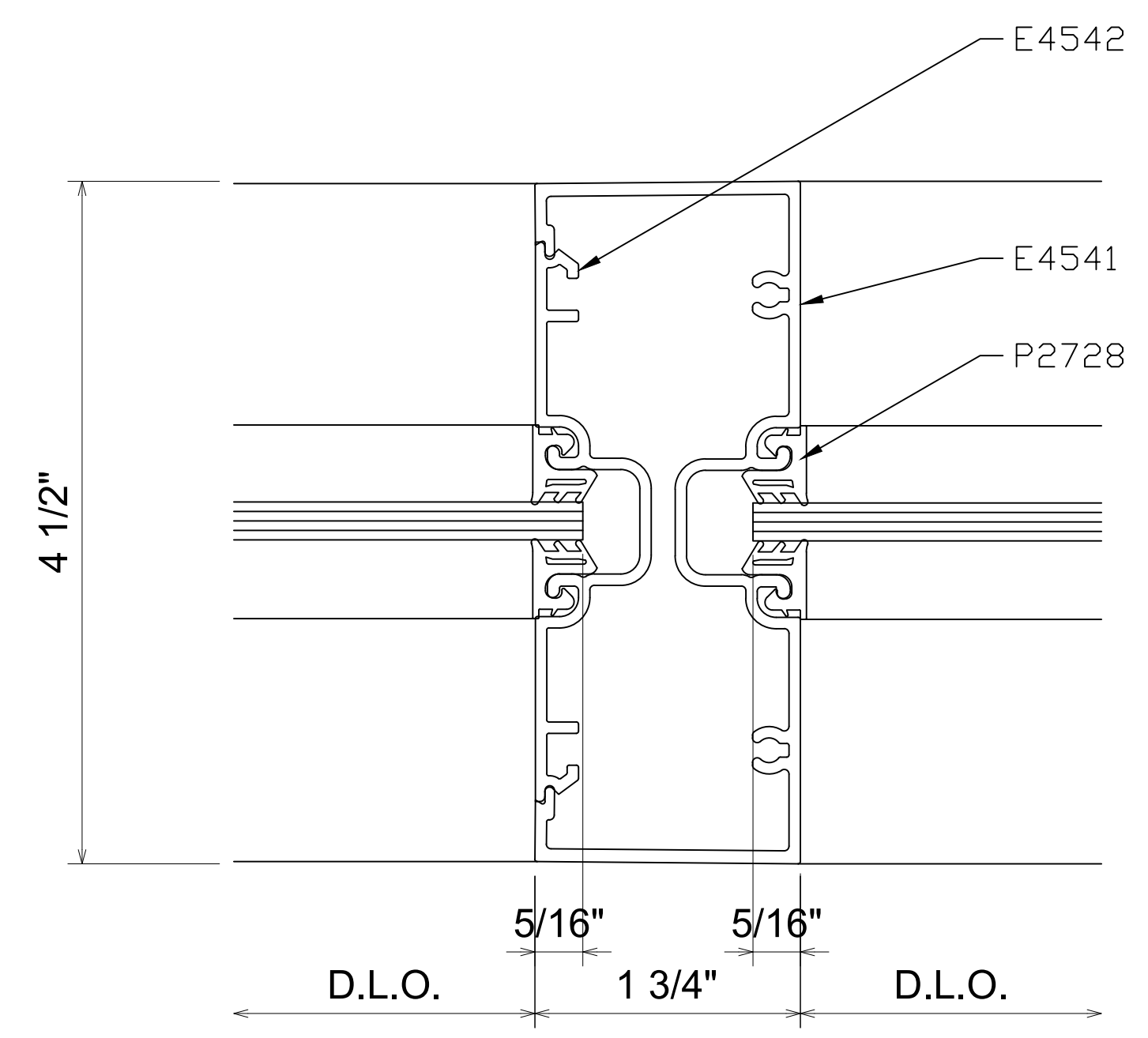
13 DOOR JAMB
805 TUBELITE E4500 INTERIOR STOREFRONT
 ARCH. REF.: N/A
 FRAMES: Z - DD - HH - II - NN



14 TRANSOM
805 TUBELITE E4500 INTERIOR STOREFRONT
 ARCH. REF.: N/A
 FRAMES: AA - DD - FF - HH
 LL - NN



15 TRANSOM
805 TUBELITE E4500 INTERIOR STOREFRONT
 ARCH. REF.: N/A
 FRAMES: Z - DD - GG - HH - II
 JJ - NN

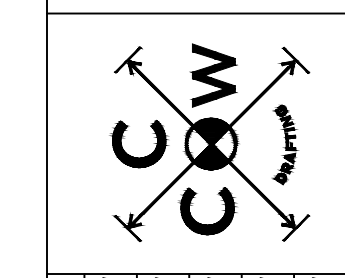


16 VERTICAL
805 TUBELITE E4500 INTERIOR STOREFRONT
 ARCH. REF.: N/A
 FRAMES: TYPICAL

SCOPE:
ALUMINUM
CURTAINWALL &
STOREFRONT

PROJECT:
NASHVILLE SC TRAINING FACILITY
4251 CENTURY FARMS TERRACE
NASHVILLE, TN 37013

ALEXANDER
AMETALS INC.
ARCHITECTURAL PRODUCT SPECIALISTS
10705 WOODBURN AVENUE, NASHVILLE, TN 37203
PHONE: (615) 258-9070 FAX: (615) 258-9823
www.AlexanderMetalsInc.com

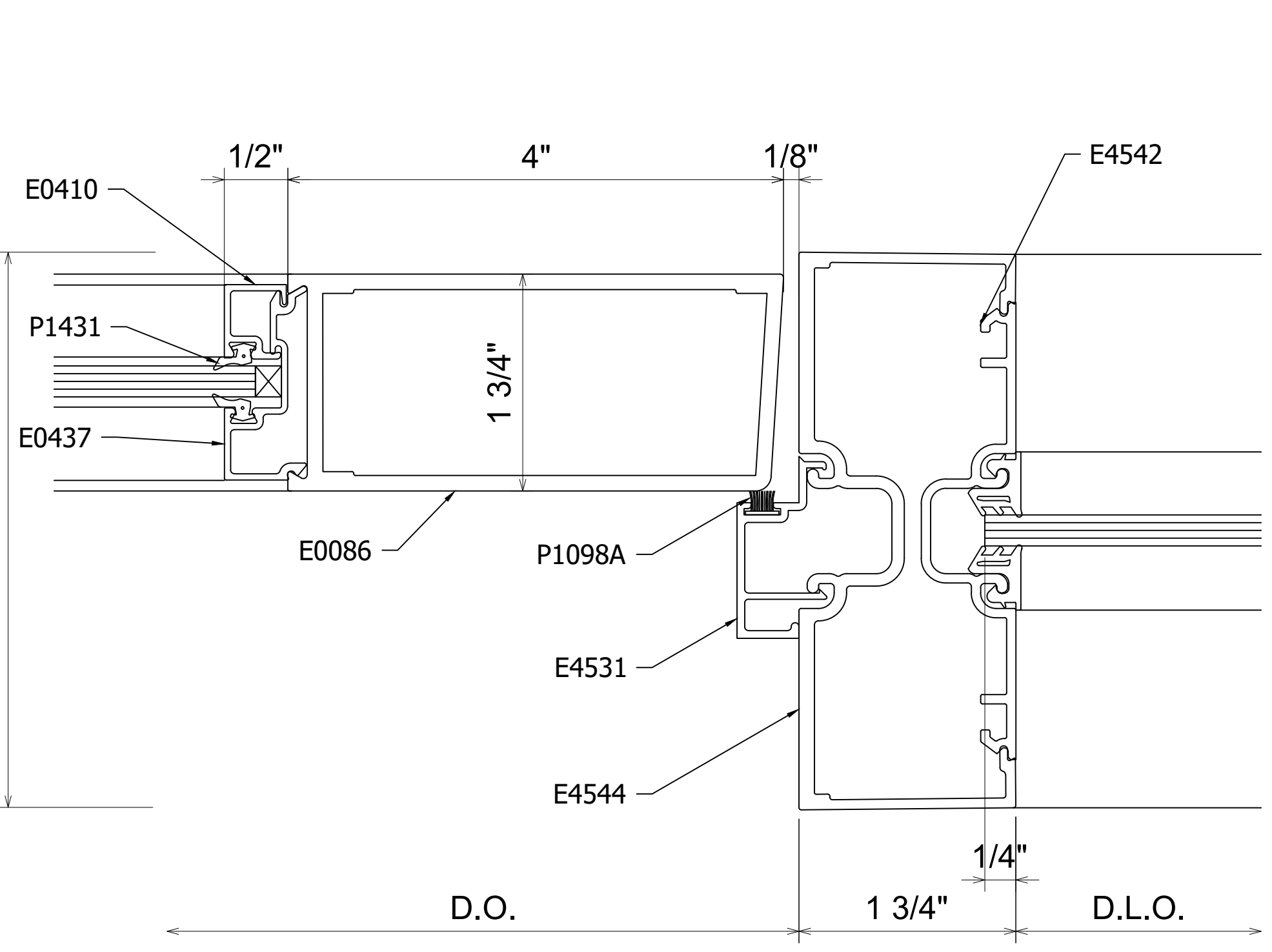
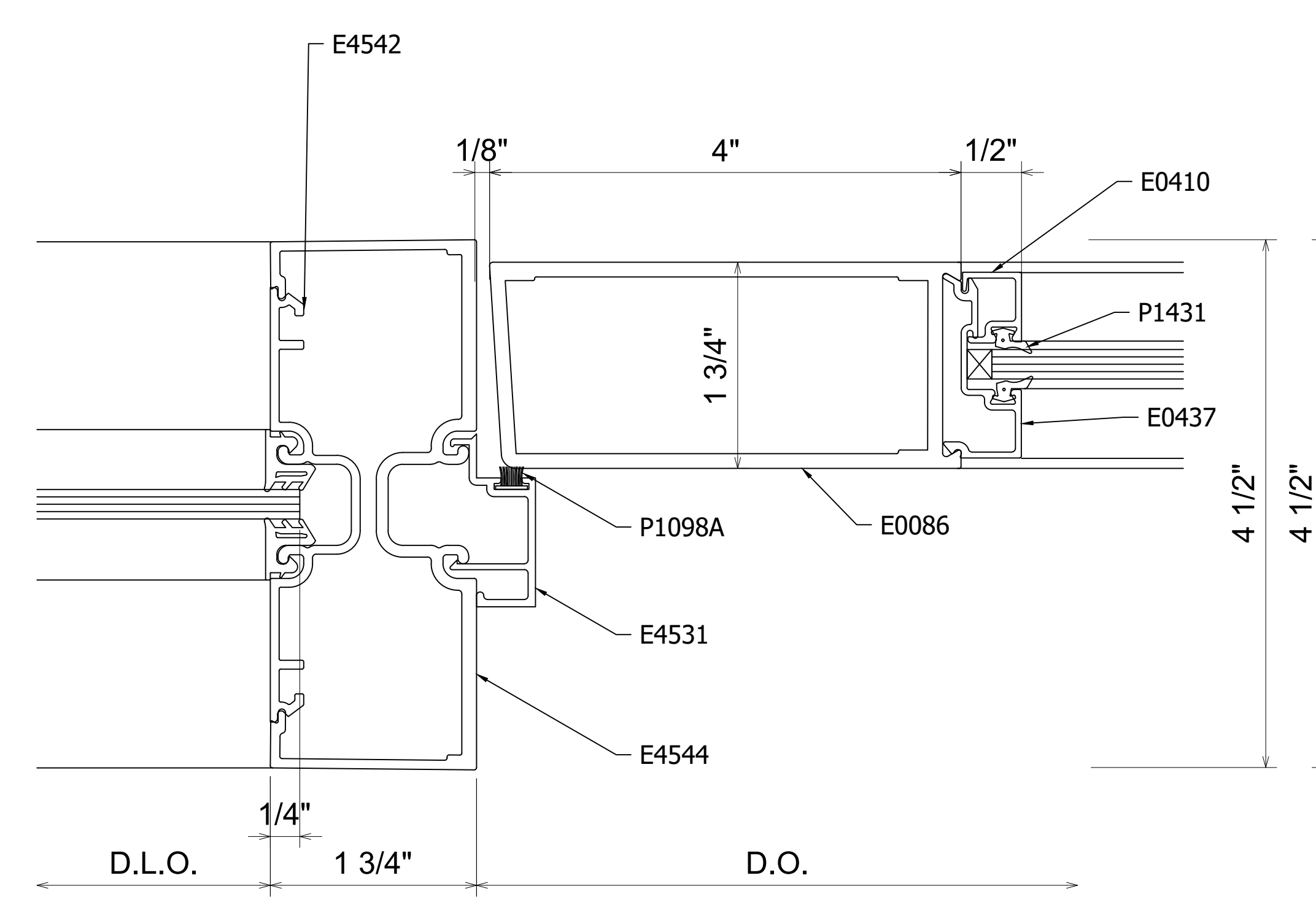
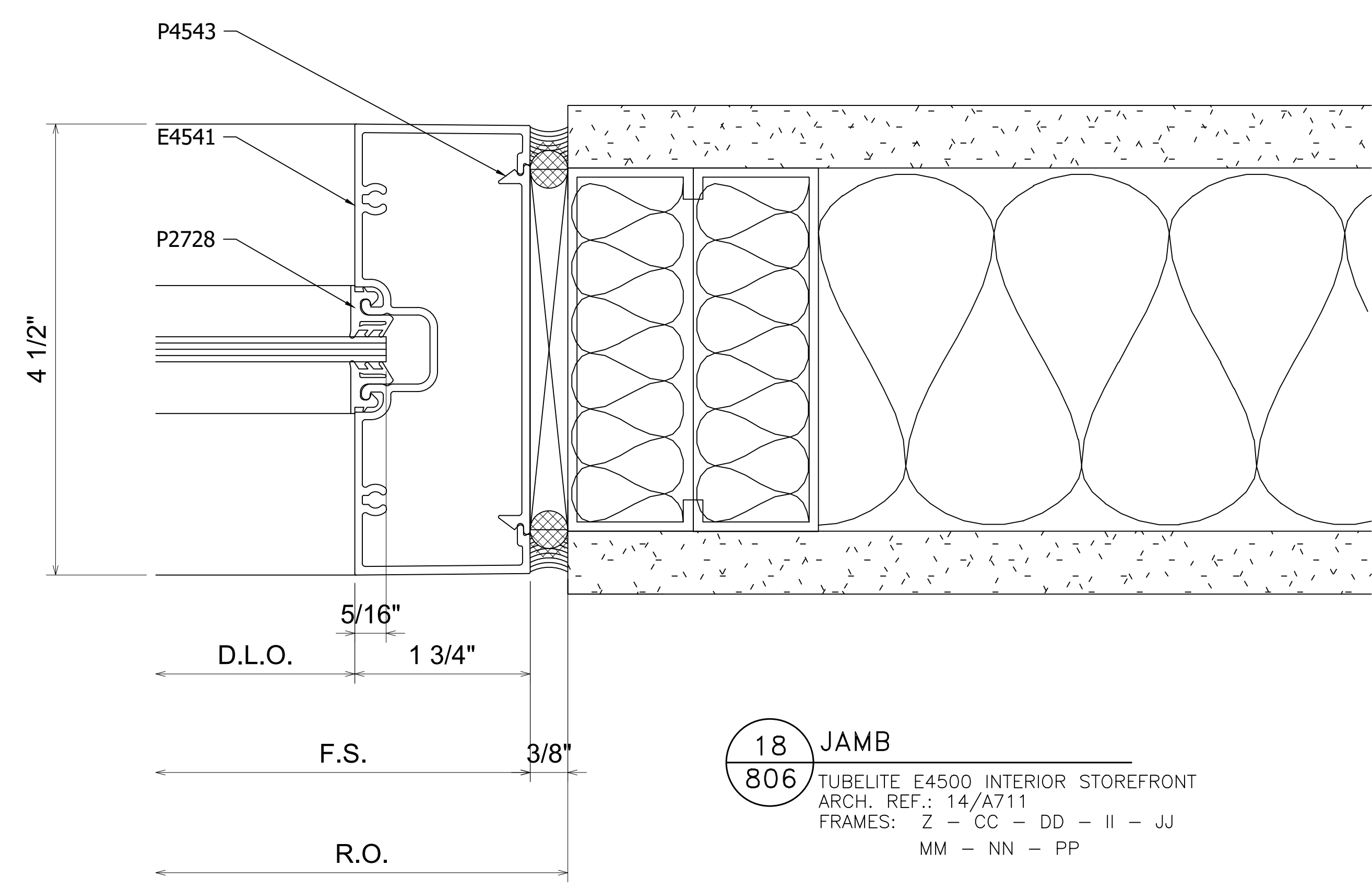
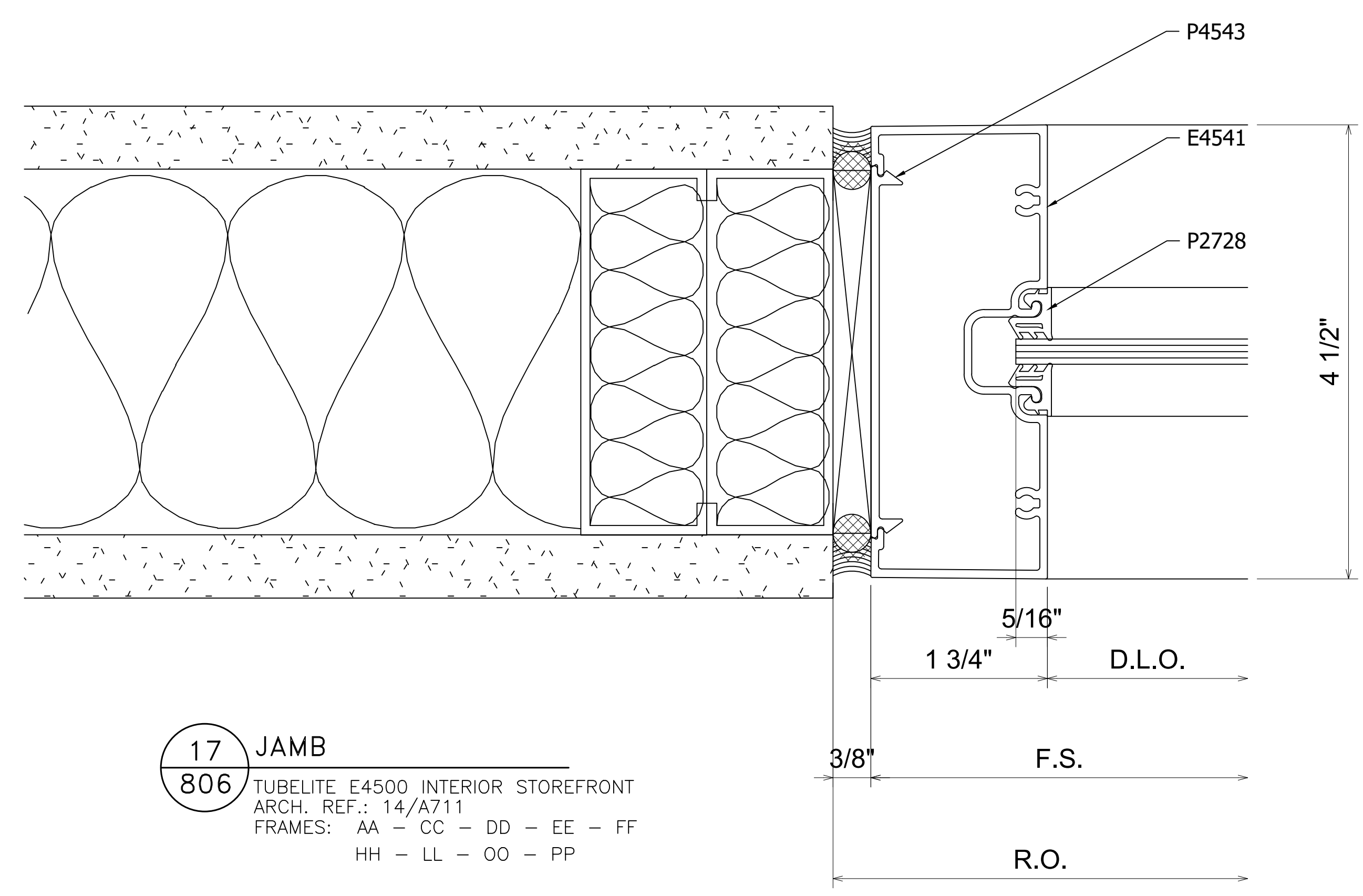


BY: CCW

NO.	DATE	REVISION
4.1	02/22	THIRD SUBMITTAL (INTERIOR REVISIONS)
5.1	03/31/22	FOURTH SUBMITTAL (INTERIOR REVISIONS)
6.1	06/15/22	FIFTH SUBMITTAL (CURTAINWALL FIELD MEASUREMENTS)
6.2	06/20/22	SIXTH SUBMITTAL (CURTAINWALL FIELD MEASUREMENTS)
6.3	08/22/22	SEVENTH SUBMITTAL (CURTAINWALL FIELD MEASUREMENTS)
6.4	08/30/22	EIGHTH SUBMITTAL (INTERIOR STOREFRONT FIELD MEASUREMENTS)

JOB NO. 4047

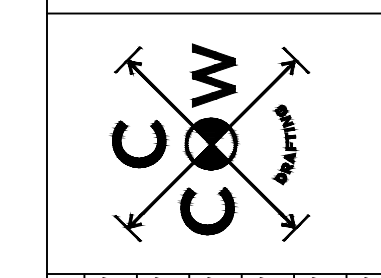
REV. NO.



SCOPE:
ALUMINUM
CURTAINWALL &
STOREFRONT

PROJECT:
NASHVILLE SC TRAINING FACILITY
4251 CENTURY FARMS TERRACE
NASHVILLE, TN 37013

ALEXANDER METALS INC.
ARCHITECTURAL PRODUCT SPECIALISTS
10705 BELLEVUE BLVD. NASHVILLE, TN 37210
PHONE: (615) 256-8070 FAX: (615) 256-8023
www.AlexanderMetalsInc.com

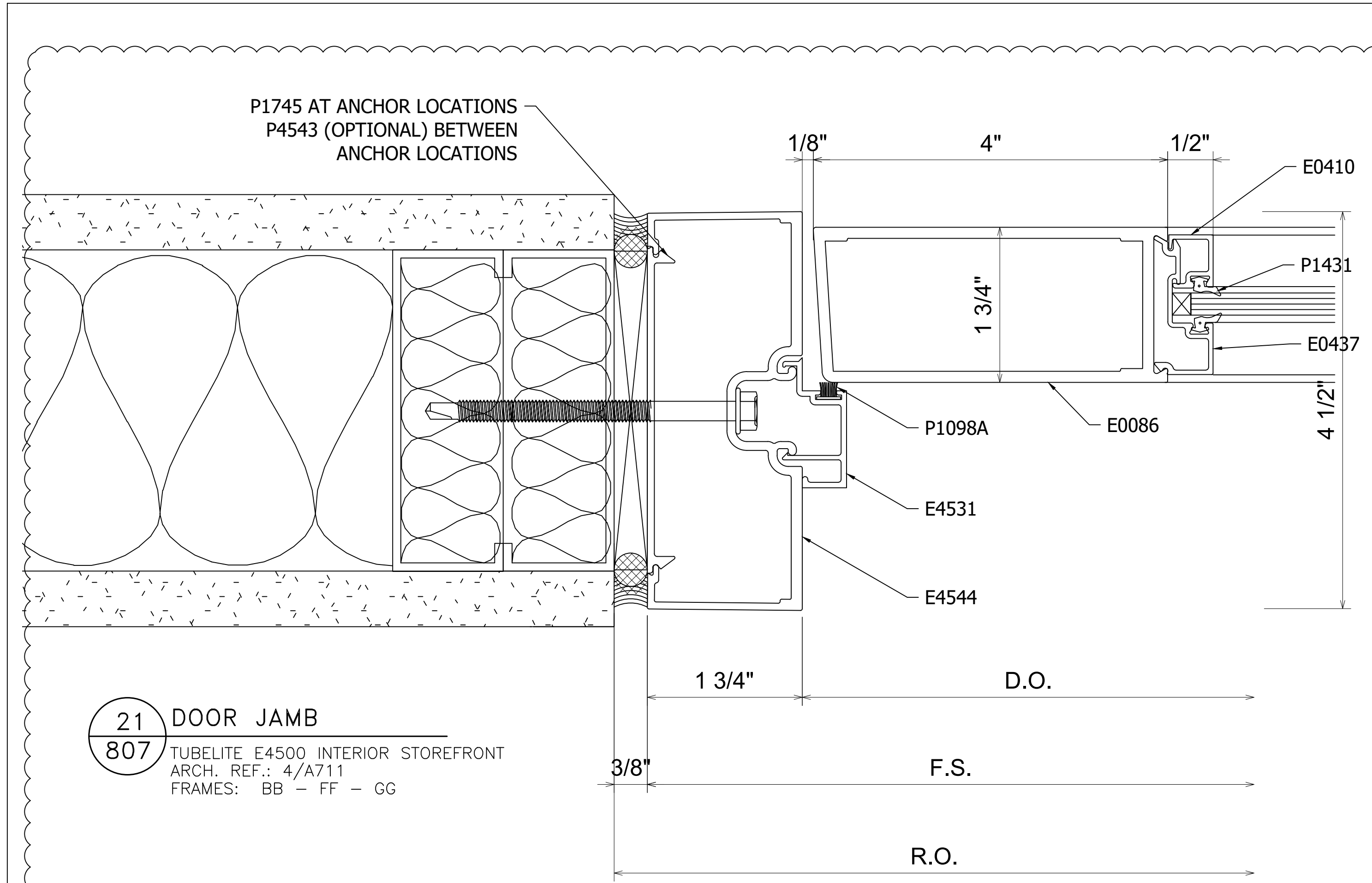


NO.	DATE	REVISION
4.1	02.22	THIRD SUBMITTAL (INTERIOR REVISIONS)
5.1	03.22	FOURTH SUBMITTAL (INTERIOR REVISIONS)
6.1	06.15.22	FIFTH SUBMITTAL (CURTAINWALL FIELD MEASUREMENTS)
6.2	06.20.22	SIXTH SUBMITTAL (CURTAINWALL FIELD MEASUREMENTS)
6.3	08.22.22	SEVENTH SUBMITTAL (CURTAINWALL FIELD MEASUREMENTS)
6.4	08.30.22	EIGHTH SUBMITTAL (INTERIOR STOREFRONT FIELD MEASUREMENTS)

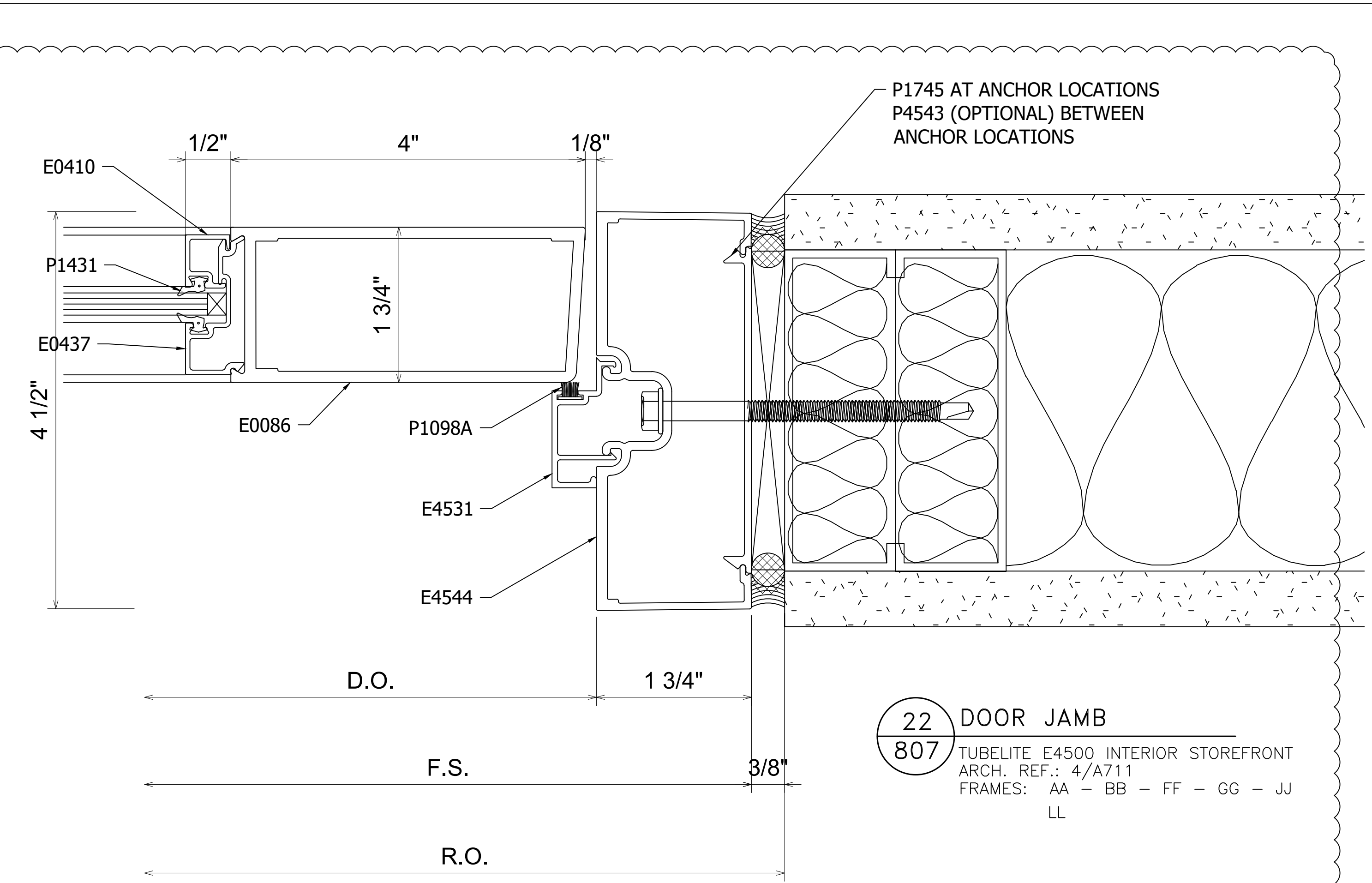
BY: CCW

JOB NO.: 4047

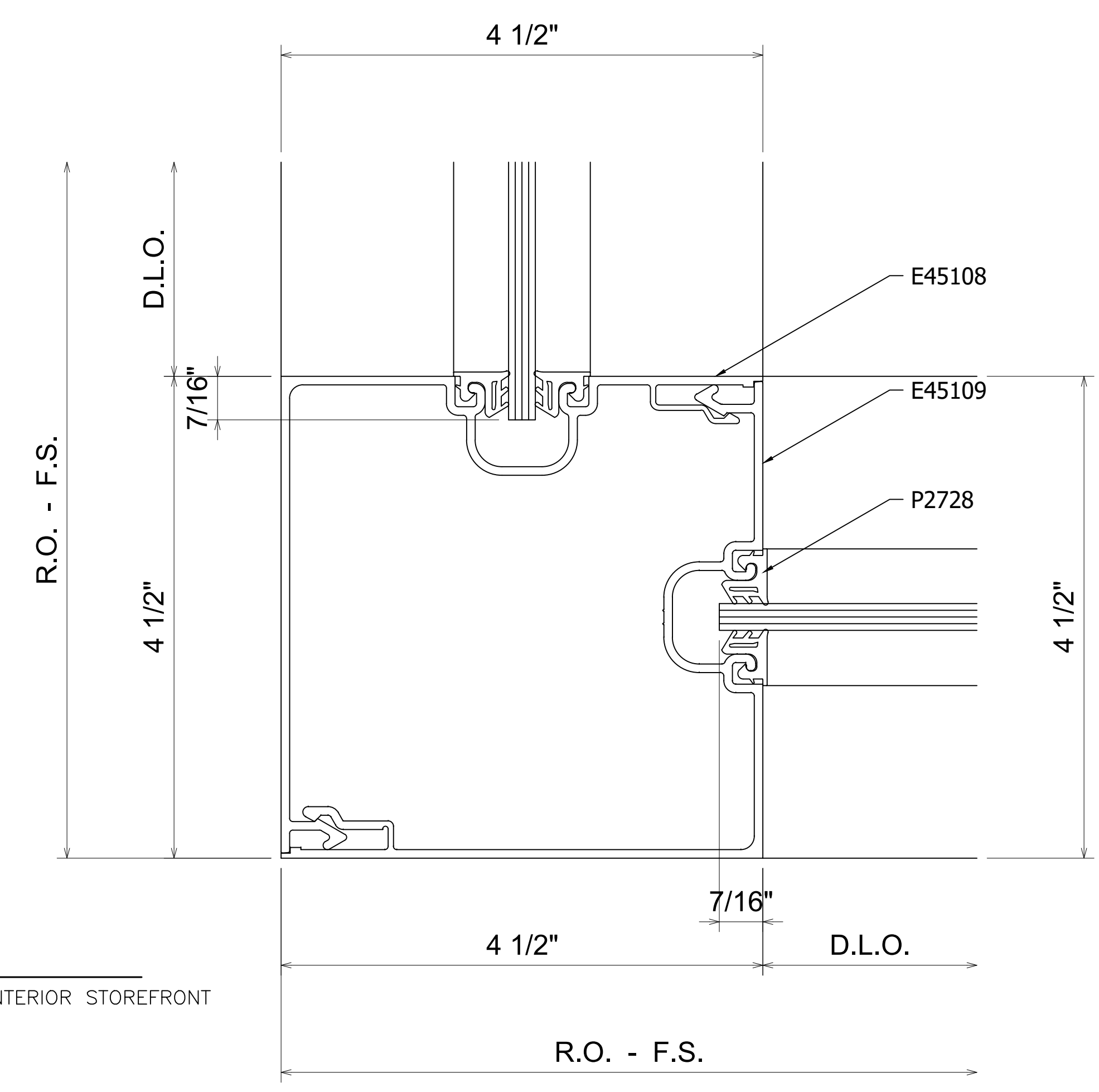
REV. NO.:



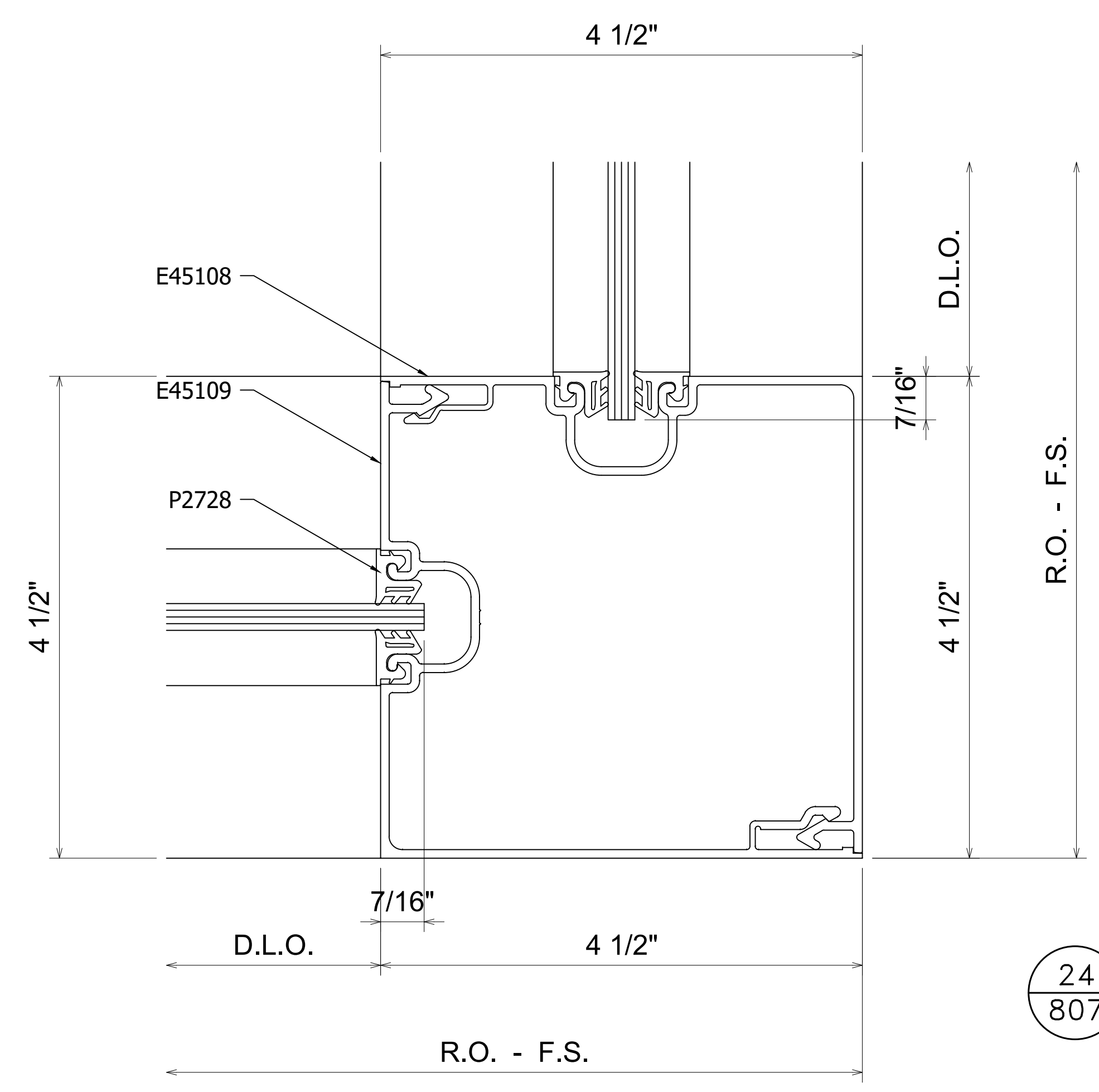
21 DOOR JAMB
807 TUBELITE E4500 INTERIOR STOREFRONT
ARCH. REF.: 4/A711
FRAMES: BB - FF - GG



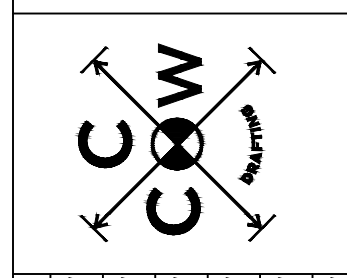
22 DOOR JAMB
807 TUBELITE E4500 INTERIOR STOREFRONT
ARCH. REF.: 4/A711
FRAMES: AA - BB - FF - GG - JJ
LL



23 CORNER
807 TUBELITE E4500 INTERIOR STOREFRONT
ARCH. REF.: N/A
FRAMES: BB

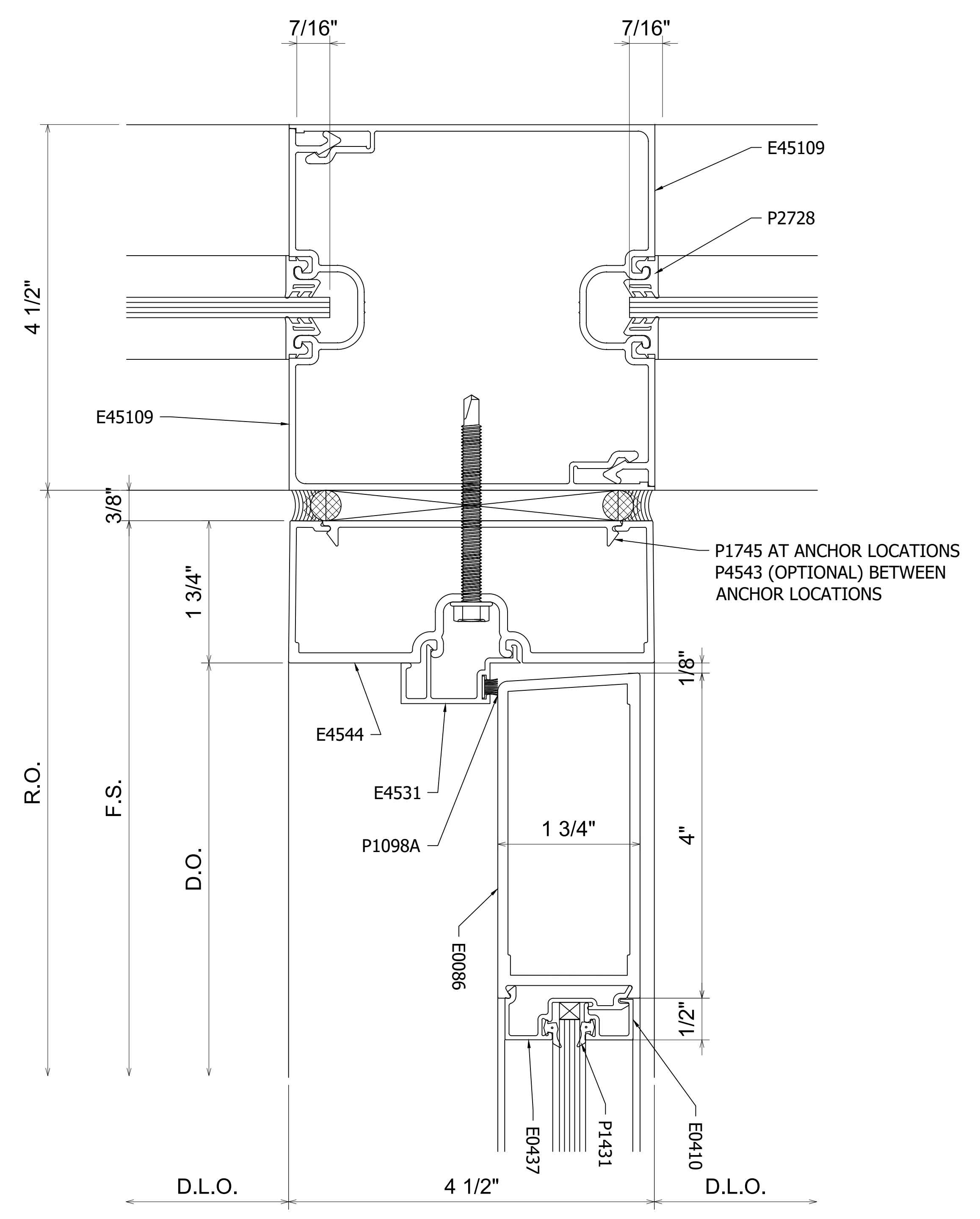


24 CORNER
807 TUBELITE E4500 INTERIOR STOREFRONT
ARCH. REF.: N/A
FRAMES: CC



NO.	DATE	REVISION	BY
4.1	02.02.22	THIRD SUBMITTAL (INTERIOR REVISIONS)	CCW
5.1	03.31.22	FOURTH SUBMITTAL (INTERIOR REVISIONS)	CCW
6.1	06.15.22	FIFTH SUBMITTAL (CURTAINWALL FIELD MEASUREMENTS)	CCW
6.2	06.20.22	SIXTH SUBMITTAL (CURTAINWALL FIELD MEASUREMENTS)	CCW
6.3	08.22.22	SEVENTH SUBMITTAL (CURTAINWALL FIELD MEASUREMENTS)	CCW
6.4	08.30.22	EIGHTH SUBMITTAL (INTERIOR STOREFRONT FIELD MEASUREMENTS)	CCW

25 **808** DETAIL NOT USED
TUBELITE E4500 INTERIOR STOREFRONT
ARCH. REF.:
FRAMES:

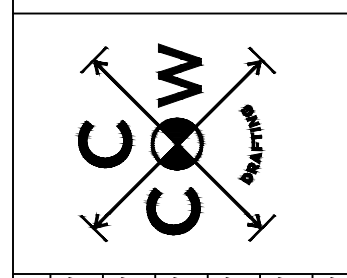


26 **808** 3-WAY CORNER @ DOOR JAMB
TUBELITE E4500 INTERIOR STOREFRONT
ARCH. REF.: N/A
FRAMES: CC

SCOPE:
ALUMINUM
CURTAINWALL &
STOREFRONT

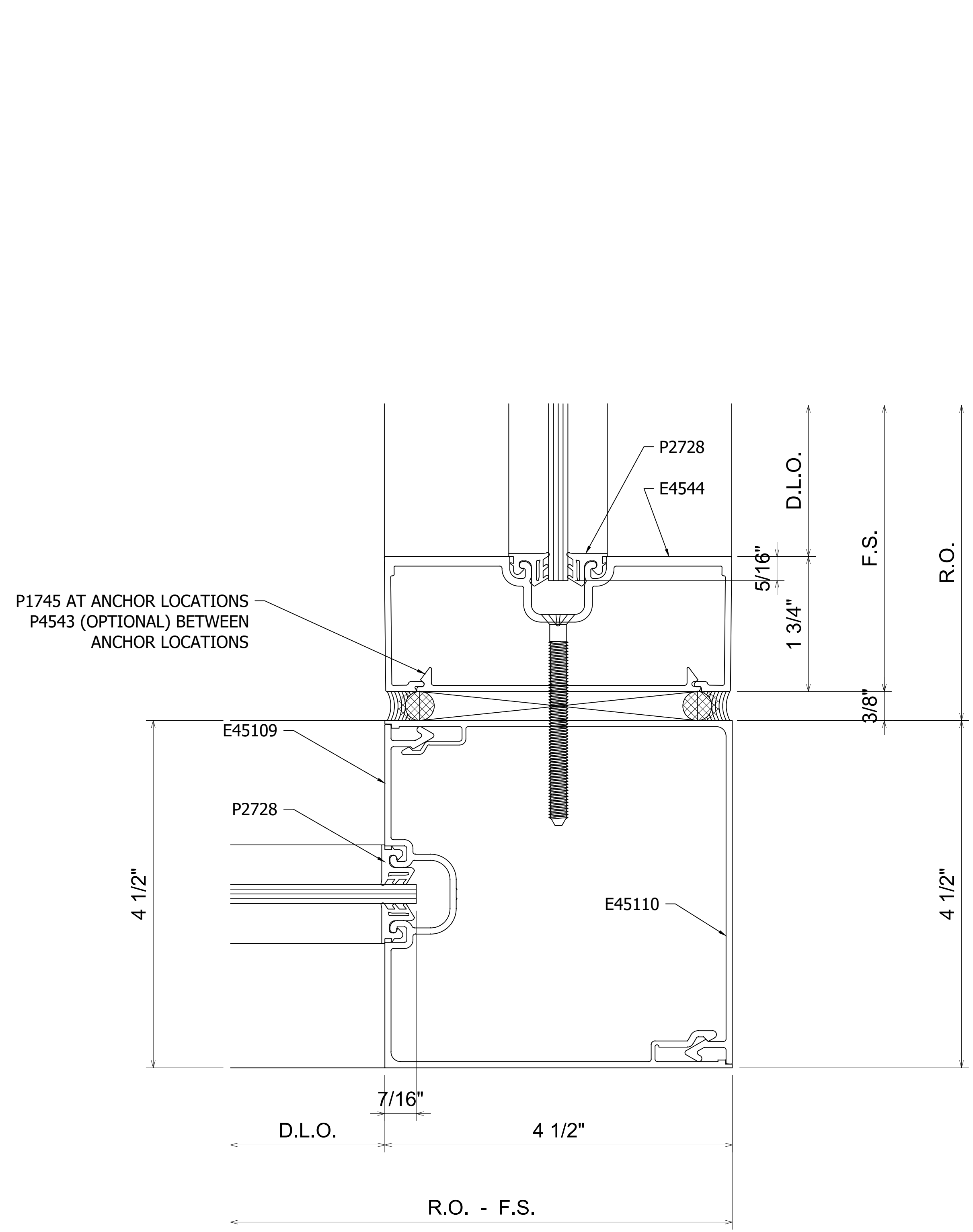
PROJECT:
NASHVILLE SC TRAINING FACILITY
4251 CENTURY FARMS TERRACE
NASHVILLE, TN 37013

**ALEXANDER
METALS INC.**
ARCHITECTURAL PRODUCT SPECIALISTS
10705 WOODLAND DRIVE, NASHVILLE, TN 37203
PHONE: (615) 258-9070 FAX: (615) 258-9023
www.AlexanderMetalsInc.com

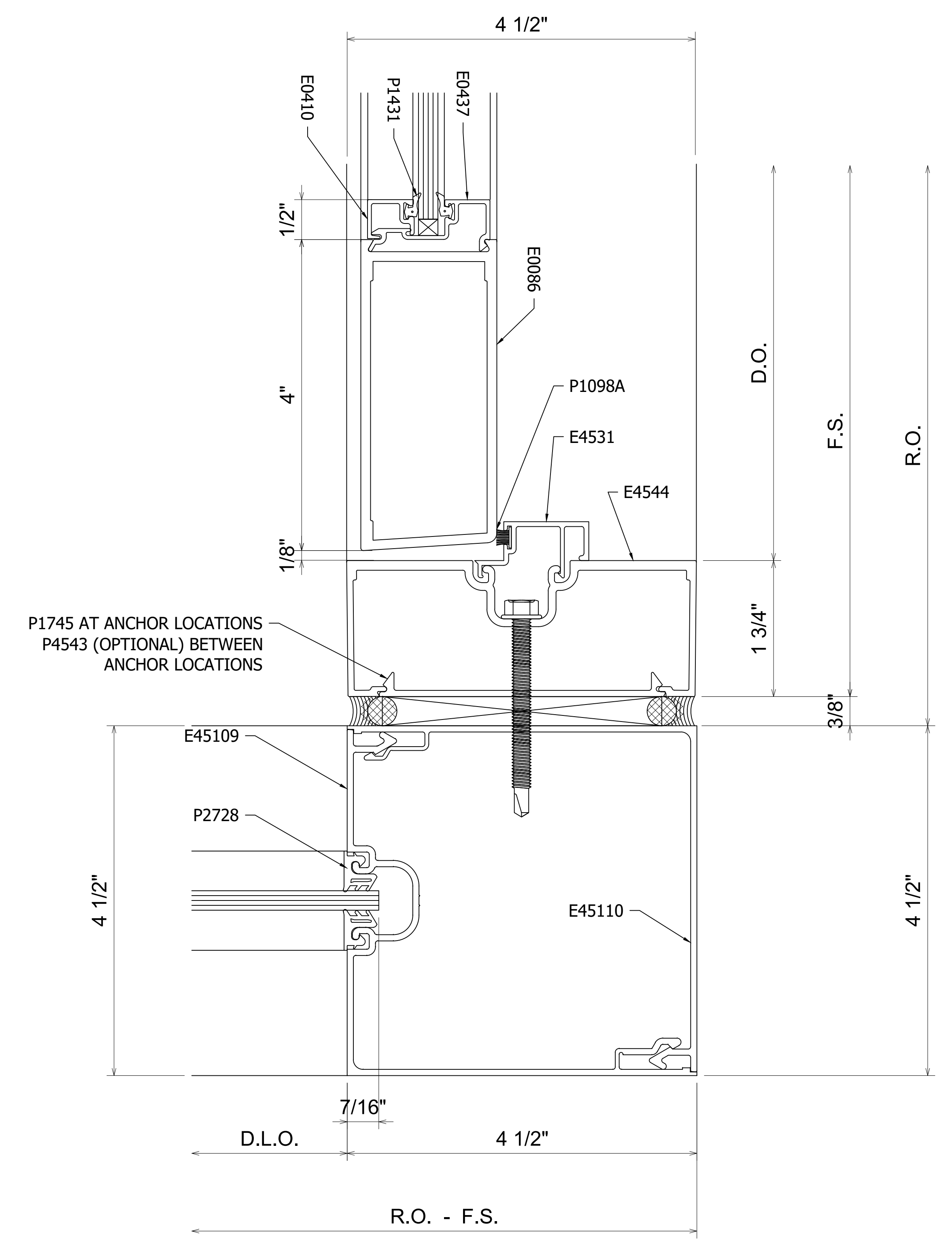


NO.	DATE	REVISION
1	01/02/22	THIRD SUBMITTAL (INTERIOR REVISIONS)
4.1	03/31/22	FOURTH SUBMITTAL (INTERIOR REVISIONS)
5.1	06/15/22	FIFTH SUBMITTAL (CURTAINWALL FIELD MEASUREMENTS)
6.1	06/15/22	SIXTH SUBMITTAL (CURTAINWALL FIELD MEASUREMENTS)
6.2	06/20/22	SEVENTH SUBMITTAL (CURTAINWALL FIELD MEASUREMENTS)
6.3	06/22/22	EIGHTH SUBMITTAL (CURTAINWALL FIELD MEASUREMENTS)
6.4	08/30/22	NINTH SUBMITTAL (INTERIOR STOREFRONT FIELD MEASUREMENTS)

JOB NO. 4047
REV. NO.



27 CORNER @ TRANSOM
809 TUBELITE E4500 INTERIOR STOREFRONT
ARCH. REF.: N/A
FRAMES: EE

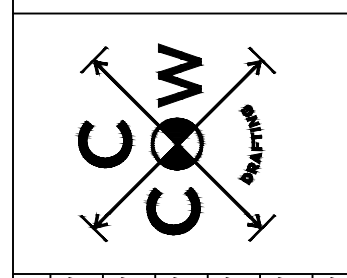


28 CORNER @ DOOR JAMB
809 TUBELITE E4500 INTERIOR STOREFRONT
ARCH. REF.: N/A
FRAMES: EE

SCOPE:
ALUMINUM
CURTAINWALL &
STOREFRONT

PROJECT:
NASHVILLE SC TRAINING FACILITY
4251 CENTURY FARMS TERRACE
NASHVILLE, TN 37013

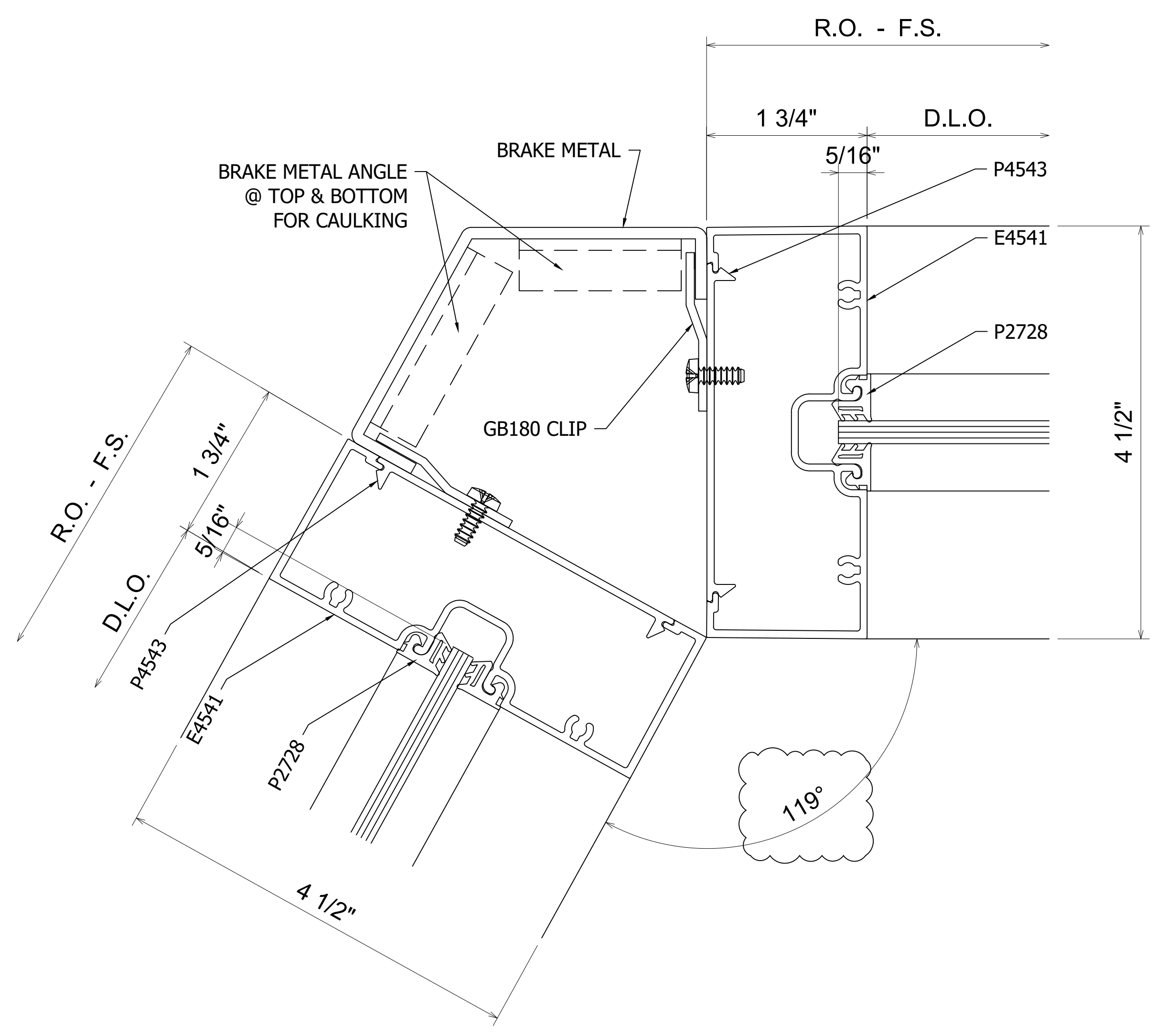
**ALEXANDER
METALS INC.**
ARCHITECTURAL PRODUCT SPECIALISTS
107 CEDAR HOLLOW LANE, NASHVILLE, TENNESSEE 37203
PHONE: (615) 256-9070 FAX: (615) 256-9023
www.AlexanderMetalsInc.com



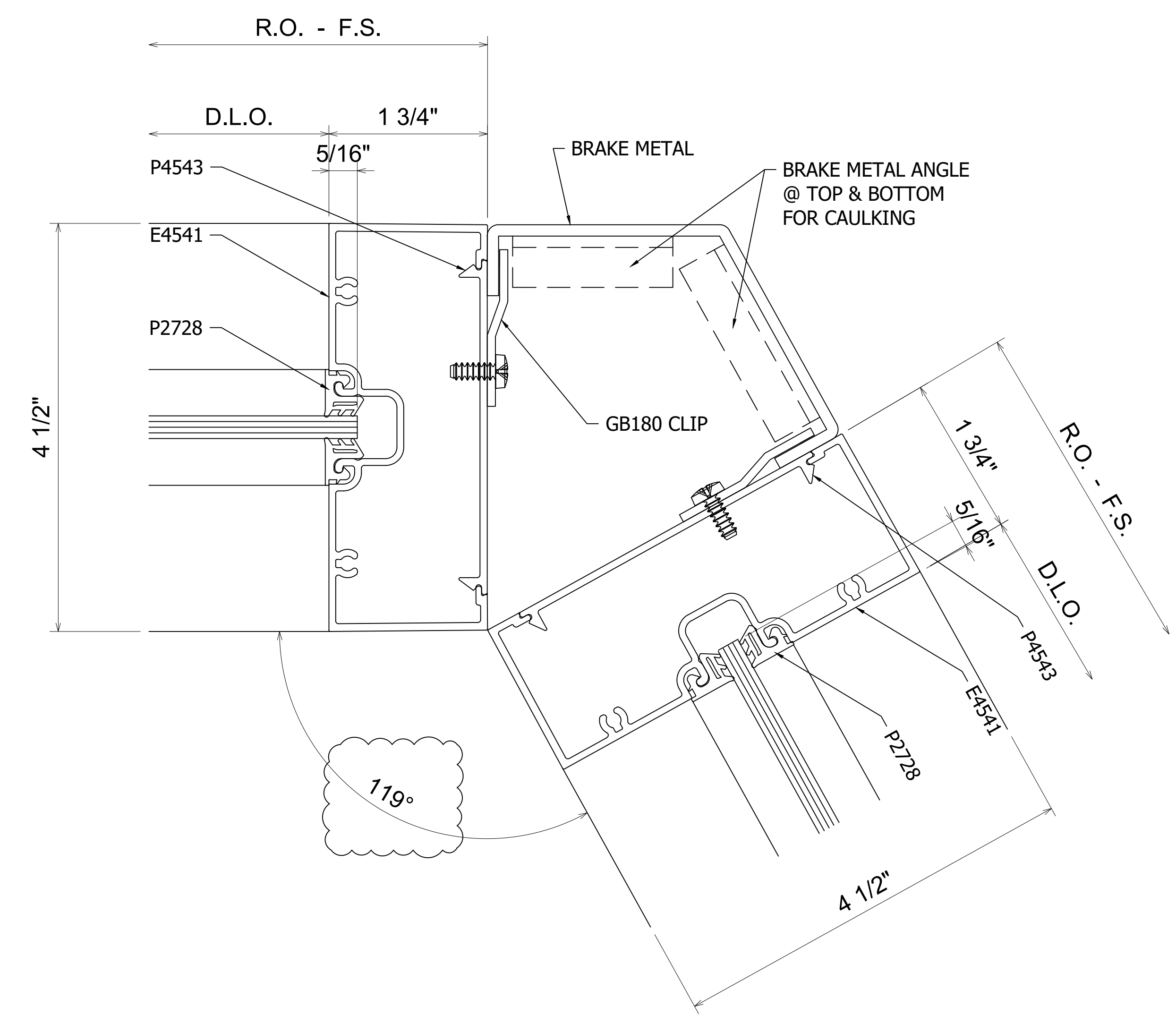
NO.	DATE	REVISION	BY
4.1	03.02.22	THIRD SUBMITTAL (INTERIOR REVISIONS)	CCW
5.1	03.31.22	FOURTH SUBMITTAL (INTERIOR REVISIONS)	CCW
6.1	06.15.22	FIFTH SUBMITTAL (CURTAINWALL FIELD MEASUREMENTS)	CCW
6.2	06.20.22	SIXTH SUBMITTAL (CURTAINWALL FIELD MEASUREMENTS)	CCW
6.3	06.22.22	SEVENTH SUBMITTAL (CURTAINWALL FIELD MEASUREMENTS)	CCW
6.4	08.30.22	EIGHTH SUBMITTAL (INTERIOR STOREFRONT FIELD MEASUREMENTS)	CCW

JOB NO. 4047

REV. NO.



29 CORNER
810 TUBELITE E4500 INTERIOR STOREFRONT
ARCH. REF.: N/A
FRAMES: MM

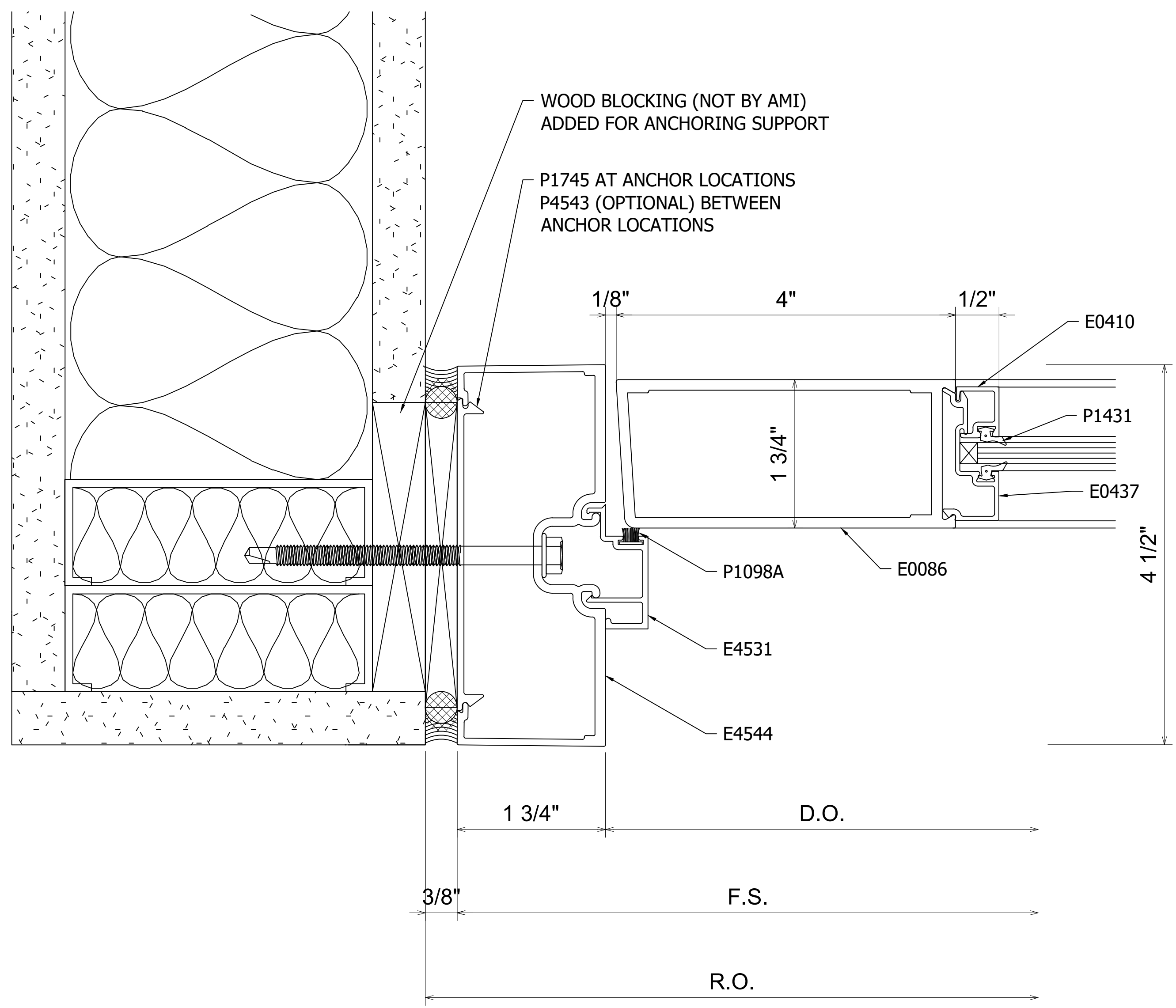


30 CORNER
810 TUBELITE E4500 INTERIOR STOREFRONT
ARCH. REF.: N/A
FRAMES: HH

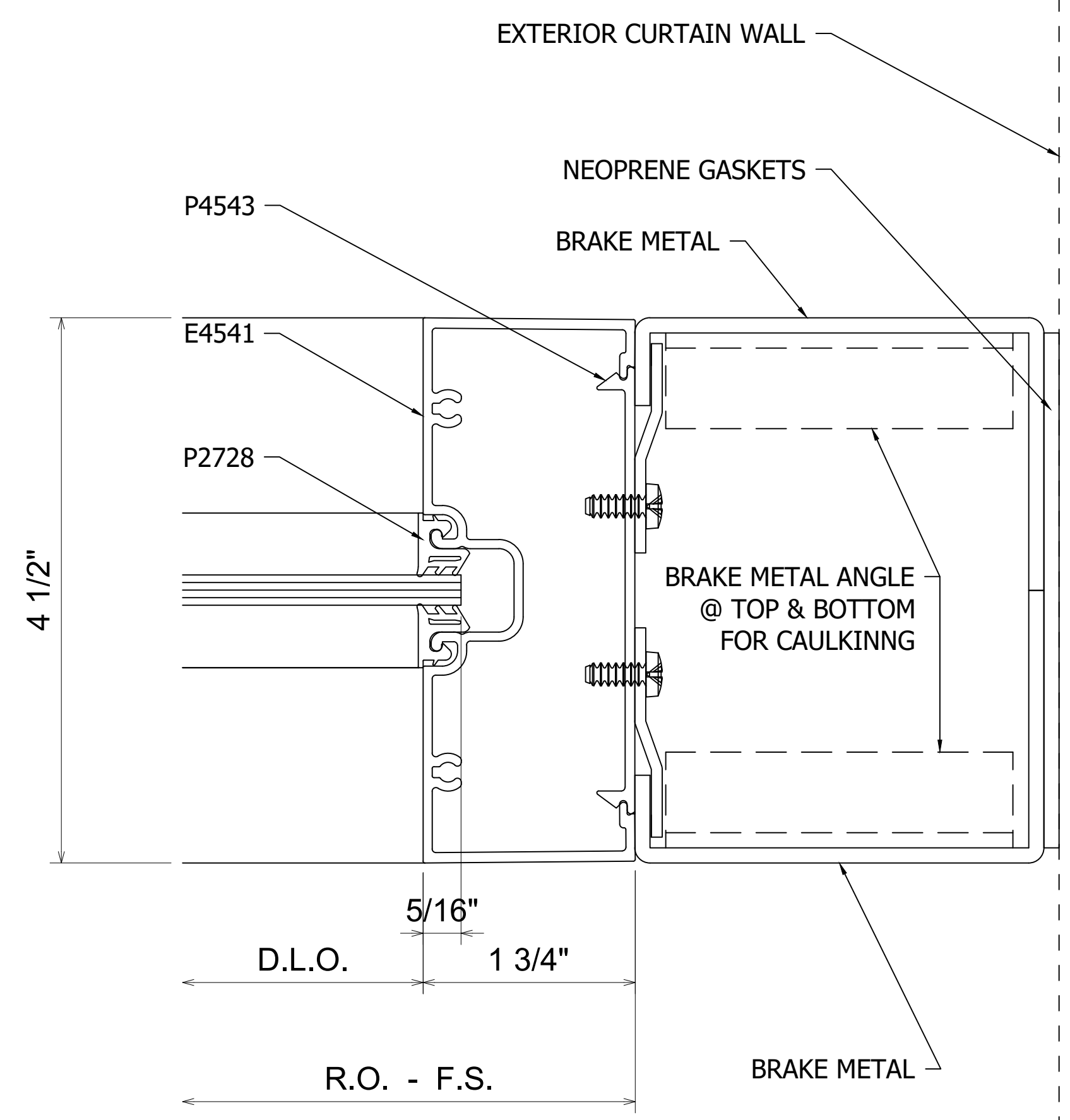
31 DETAIL NOT USED
810 TUBELITE E4500 INTERIOR STOREFRONT
ARCH. REF.:
FRAMES:

NO.	DATE	REVISION	BY
4.1	01.02.22	THIRD SUBMITTAL (INTERIOR REVISIONS)	CCW
5.1	03.31.22	FOURTH SUBMITTAL (INTERIOR REVISIONS)	CCW
6.1	06.15.22	FIFTH SUBMITTAL (CURTAINWALL FIELD MEASUREMENTS)	CCW
6.2	06.20.22	SIXTH SUBMITTAL (CURTAINWALL FIELD MEASUREMENTS)	CCW
6.3	06.22.22	SEVENTH SUBMITTAL (CURTAINWALL FIELD MEASUREMENTS)	CCW
6.4	08.30.22	EIGHTH SUBMITTAL (INTERIOR STOREFRONT FIELD MEASUREMENTS)	CCW

JOB NO.	4047
REV. NO.	



32 DOOR JAMB
811 TUBELITE E4500 INTERIOR STOREFRONT
ARCH. REF.: N/A
FRAMES: JJ



33 DETAIL NOT USED
811 TUBELITE E4500 INTERIOR STOREFRONT
ARCH. REF.:
FRAMES:

FRAME "KK" & "OO" DELETED FROM ALEXANDER METALS SCOPE OF WORK

FRAME "KK" & "OO" DELETED FROM ALEXANDER METALS SCOPE OF WORK

SHEET NO.:		812	
SCALE:		N.T.S.	
SCOPE:		ALUMINUM CURTAINWALL & STOREFRONT	
PROJECT:		NASHVILLE SC TRAINING FACILITY 4251 CENTURY FARMS TERRACE NASHVILLE, TN 37013	
 ALEXANDER METALS INC. ARCHITECTURAL PRODUCT SPECIALISTS 107 CEDAR HOLLOW DRIVE, NASHVILLE, TN 37203 PHONE: (615) 258-9070 FAX: (615) 258-9223 www.AlexanderMetalsInc.com			
NO.	DATE	SUBMITTAL / REVISION	BY
4.1	01.02.22	THIRD SUBMITTAL (INTERIOR REVISIONS)	CCW
5.1	03.31.22	FOURTH SUBMITTAL (INTERIOR REVISIONS)	CCW
6.1	06.15.22	FIFTH SUBMITTAL (CURTAINWALL FIELD MEASUREMENTS)	CCW
6.2	06.20.22	SIXTH SUBMITTAL (CURTAINWALL FIELD MEASUREMENTS)	CCW
6.3	06.22.22	SEVENTH SUBMITTAL (CURTAINWALL FIELD MEASUREMENTS)	CCW
6.4	08.30.22	EIGHTH SUBMITTAL (INTERIOR STOREFRONT FIELD MEASUREMENTS)	CCW
JOB NO.		4047	
REV. NO.			
SHEET NO.:		812	

FRAME "KK" & "OO" DELETED FROM ALEXANDER METALS SCOPE OF WORK

FRAME "KK" & "OO" DELETED FROM ALEXANDER METALS SCOPE OF WORK

SHEET NO.:		813	
SCALE:		N.T.S.	
SCOPE:		ALUMINUM CURTAINWALL & STOREFRONT	
PROJECT:		NASHVILLE SC TRAINING FACILITY 4251 CENTURY FARMS TERRACE NASHVILLE, TN 37013	
 ALEXANDER METALS INC. ARCHITECTURAL PRODUCT SPECIALISTS 107 CEDAR HOLLOW LANE, NASHVILLE, TN 37203 PHONE: (615) 256-9070 FAX: (615) 256-9023 www.AlexanderMetalsInc.com			
NO.	DATE	BY	REVISION
4.1	03.02.22	CCW	THIRD SUBMITTAL (INTERIOR REVISIONS)
5.1	03.31.22	CCW	FOURTH SUBMITTAL (INTERIOR REVISIONS)
6.1	06.15.22	CCW	FIFTH SUBMITTAL (CURTAINWALL FIELD MEASUREMENTS)
6.2	06.20.22	CCW	SIXTH SUBMITTAL (CURTAINWALL FIELD MEASUREMENTS)
6.3	06.22.22	CCW	SEVENTH SUBMITTAL (CURTAINWALL FIELD MEASUREMENTS)
6.4	08.30.22	CCW	EIGHTH SUBMITTAL (INTERIOR STOREFRONT FIELD MEASUREMENTS)
JOB NO.		4047	
REV. NO.			
SHEET NO.:		813	

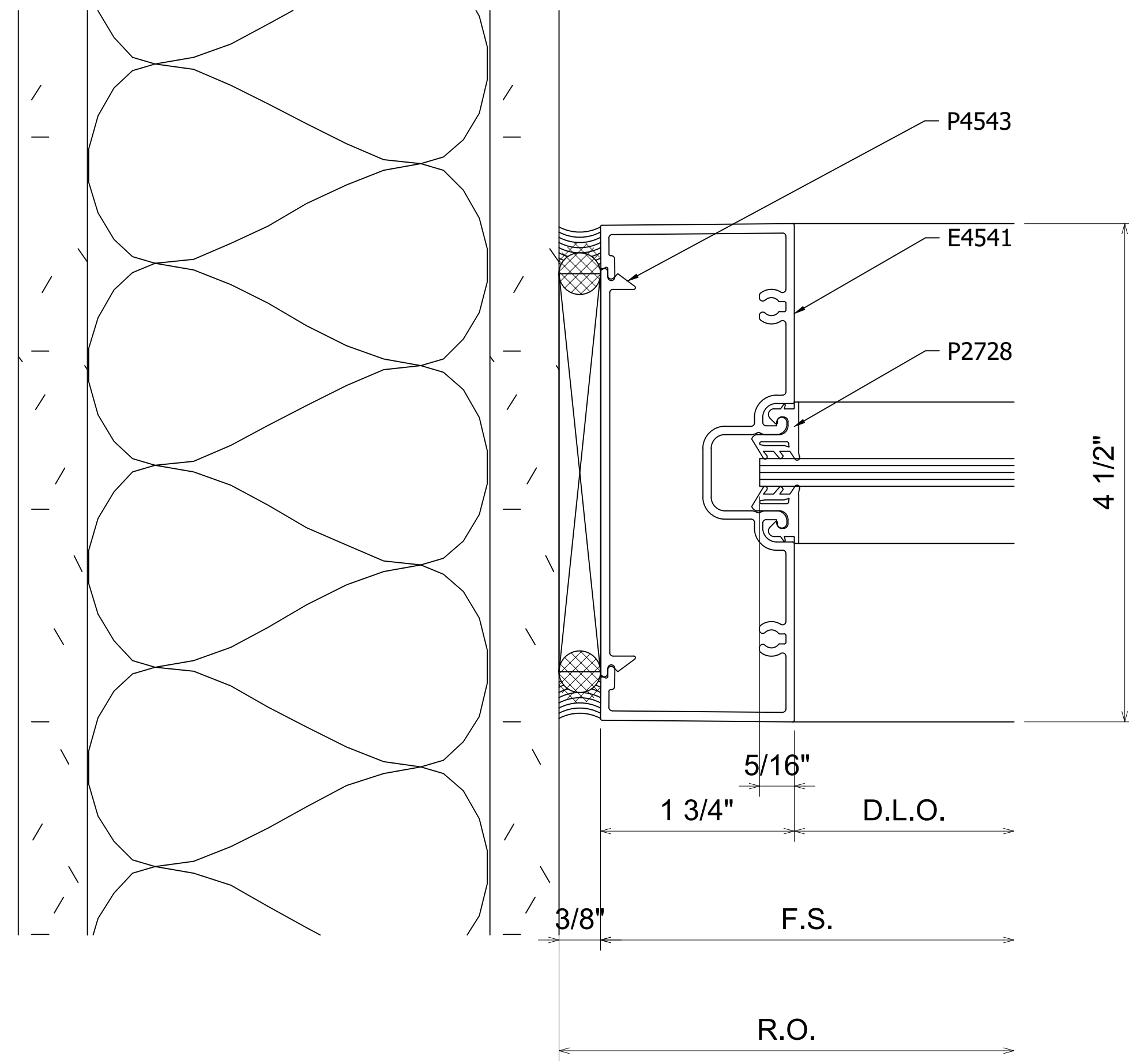
FRAME "KK" & "OO" DELETED FROM ALEXANDER METALS SCOPE OF WORK

FRAME "KK" & "OO" DELETED FROM ALEXANDER METALS SCOPE OF WORK

SHEET NO.:		814	
SCALE:		N.T.S.	
SCOPE:		ALUMINUM CURTAINWALL & STOREFRONT	
PROJECT:		NASHVILLE SC TRAINING FACILITY 4251 CENTURY FARMS TERRACE NASHVILLE, TN 37013	
ARCHITECT:		ALEXANDER METALS INC. ARCHITECTURAL PRODUCT SPECIALISTS 107 CLEGG ROAD, NASHVILLE, TENNESSEE 37203 PHONE: (615) 256-9070 FAX: (615) 256-9023 www.AlexanderMetalsInc.com	
BY:		CCW	
SUBMITTAL / REVISION			
NO. DATE	THIRD SUBMITTAL (INTERIOR REVISIONS)	CCW	
4.1 03.02.22	FOURTH SUBMITTAL (INTERIOR REVISIONS)	CCW	
5.1 03.31.22	FIFTH SUBMITTAL (CURTAINWALL FIELD MEASUREMENTS)	CCW	
6.1 06.15.22	SIXTH SUBMITTAL (CURTAINWALL FIELD MEASUREMENTS)	CCW	
6.2 06.20.22	SEVENTH SUBMITTAL (CURTAINWALL FIELD MEASUREMENTS)	CCW	
6.3 06.22.22	EIGHTH SUBMITTAL (CURTAINWALL FIELD MEASUREMENTS)	CCW	
6.4 08.30.22	EIGHTH SUBMITTAL (INTERIOR STOREFRONT FIELD MEASUREMENTS)	CCW	
JOB NO.		4047	
REV. NO.			
SHEET NO.:		814	

FRAME "KK" & "OO" DELETED FROM ALEXANDER METALS SCOPE OF WORK

SHEET NO.:		815	
SCALE:		N.T.S.	
SCOPE:		ALUMINUM CURTAINWALL & STOREFRONT	
PROJECT:		NASHVILLE SC TRAINING FACILITY 4251 CENTURY FARMS TERRACE NASHVILLE, TN 37013	
 ALEXANDER METALS INC. ARCHITECTURAL PRODUCT SPECIALISTS 10705 GLENNDALE TERNESSE, #200 NASHVILLE, TN 37217 PHONE: (615) 256-9070 FAX: (615) 256-9023 www.AlexanderMetalsInc.com			
NO.	DATE	BY	REVISION
4.1	01.02.22	CCW	THIRD SUBMITTAL (INTERIOR REVISIONS)
5.1	03.31.22	CCW	FOURTH SUBMITTAL (INTERIOR REVISIONS)
6.1	06.15.22	CCW	FIFTH SUBMITTAL (CURTAINWALL FIELD MEASUREMENTS)
6.2	06.20.22	CCW	SIXTH SUBMITTAL (CURTAINWALL FIELD MEASUREMENTS)
6.3	06.22.22	CCW	SEVENTH SUBMITTAL (CURTAINWALL FIELD MEASUREMENTS)
6.4	08.30.22	CCW	EIGHTH SUBMITTAL (INTERIOR STOREFRONT FIELD MEASUREMENTS)
JOB NO.		4047	
REV. NO.			
SHEET NO.:		815	



41 JAMB
 816 TUBELITE E4500 INTERIOR STOREFRONT
 ARCH. REF.: N/A
 FRAMES: NN

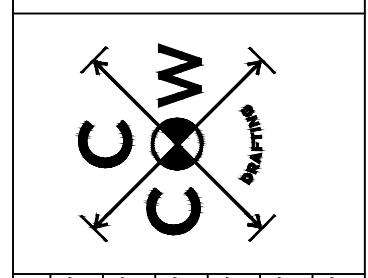
FRAME "KK" & "OO" DELETED FROM ALEXANDER METALS SCOPE OF WORK

SHEET NO.:
816
 SCALE:
 N.T.S.

SCOPE:
 ALUMINUM
 CURTAINWALL &
 STOREFRONT

PROJECT:
 NASHVILLE SC TRAINING FACILITY
 4251 CENTURY FARMS TERRACE
 NASHVILLE, TN 37013

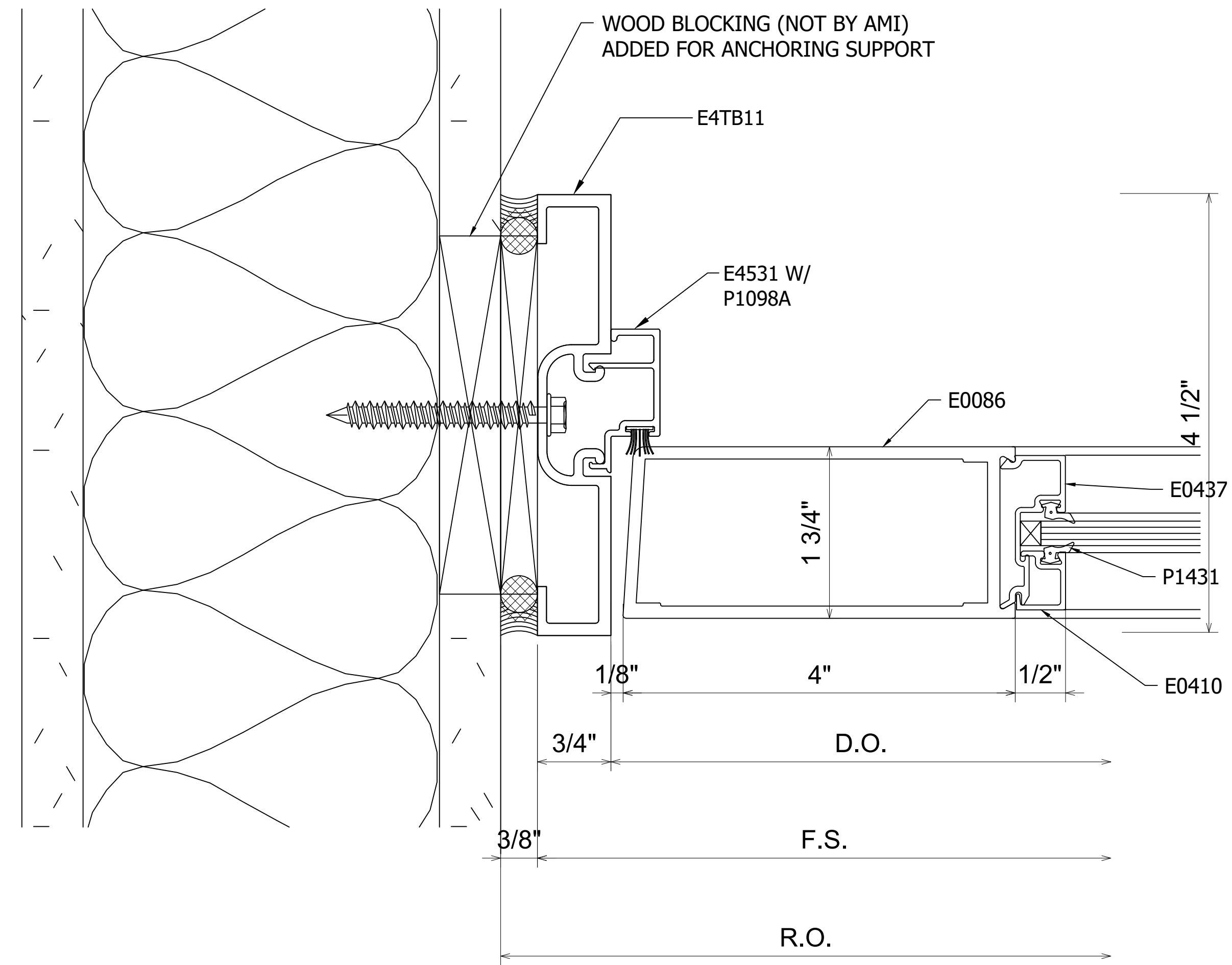
ALEXANDER METALS INC.
 ARCHITECTURAL PRODUCT SPECIALISTS
 10705 WOODBURN AVENUE, NASHVILLE, TN 37203
 PHONE: (615) 256-9070 FAX: (615) 256-9023
 www.AlexanderMetalsInc.com



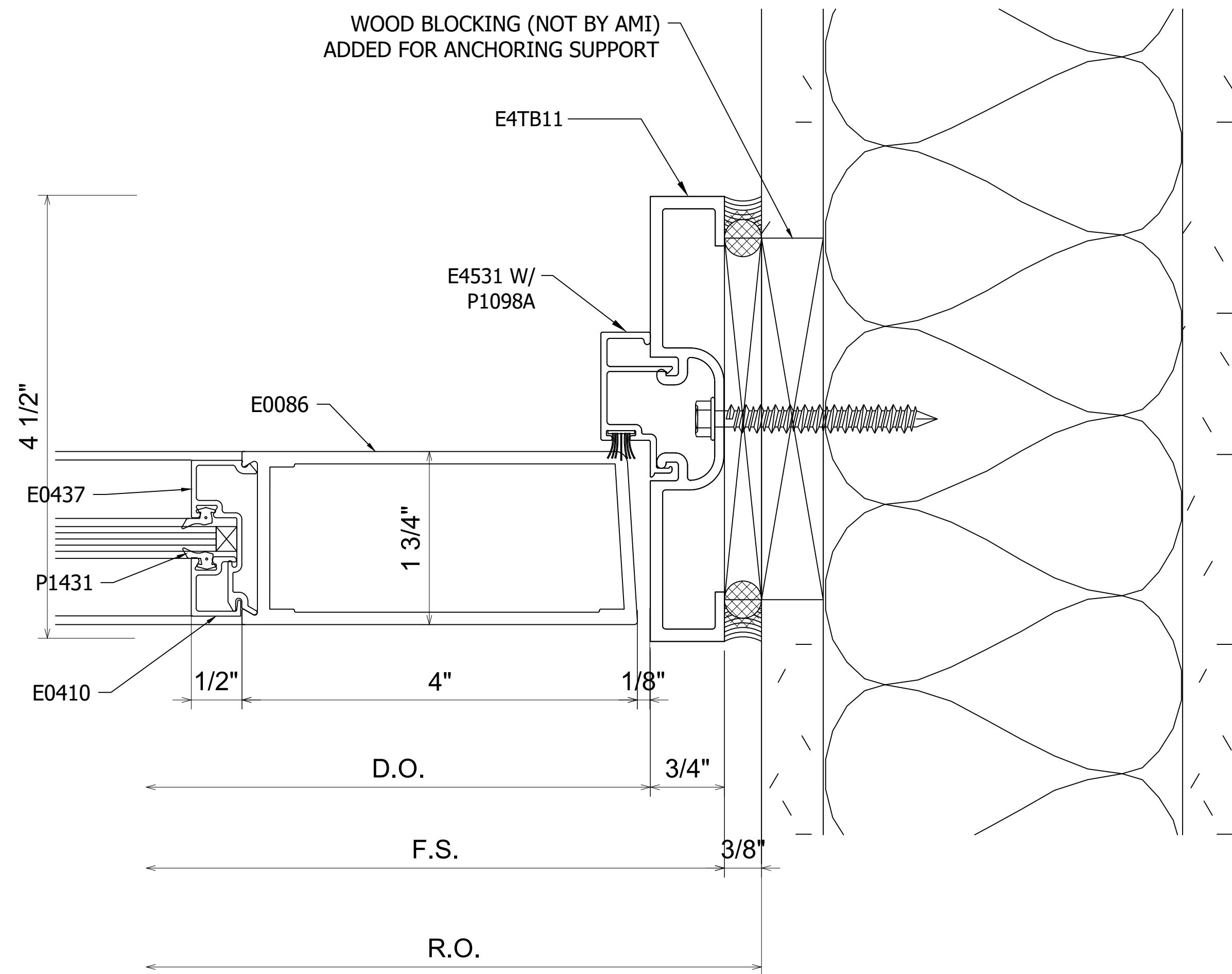
NO.	DATE	SUBMITTAL / REVISION	BY
4.1	03.02.22	THIRD SUBMITTAL (INTERIOR REVISIONS)	CCW
5.1	03.31.22	FOURTH SUBMITTAL (INTERIOR REVISIONS)	CCW
6.1	06.15.22	FIFTH SUBMITTAL (CURTAINWALL FIELD MEASUREMENTS)	CCW
6.2	06.20.22	SIXTH SUBMITTAL (CURTAINWALL FIELD MEASUREMENTS)	CCW
6.3	06.22.22	SEVENTH SUBMITTAL (CURTAINWALL FIELD MEASUREMENTS)	CCW
6.4	08.30.22	EIGHTH SUBMITTAL (INTERIOR STOREFRONT FIELD MEASUREMENTS)	CCW

JOB NO. 4047
 REV. NO.

SHEET NO.:
816



43 DOOR JAMB
817 TUBELITE E4500 INTERIOR STOREFRONT
ARCH. REF.: N/A
FRAMES: QQ



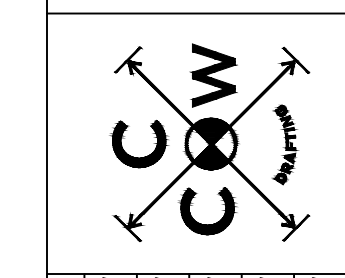
44 DOOR JAMB
817 TUBELITE E4500 INTERIOR STOREFRONT
ARCH. REF.: N/A
FRAMES: QQ

SHEET NO.:		817	
SCALE:		N.T.S.	
SCOPE:	ALUMINUM CURTAINWALL & STOREFRONT		
PROJECT:	NASHVILLE SC TRAINING FACILITY 4251 CENTURY FARMS TERRACE NASHVILLE, TN 37013		
ALEXANDER METALS INC. ARCHITECTURAL PRODUCT SPECIALISTS 10705 WOODLAND DRIVE, NASHVILLE, TN 37217 PHONE: (615) 256-9070 FAX: (615) 256-9623 www.AlexanderMetalsInc.com			
BY:	CCW	REVISION	
NO. DATE	4.1 02.02.22	THIRD SUBMITTAL (INTERIOR REVISIONS)	
	5.1 03.31.22	FOURTH SUBMITTAL (INTERIOR REVISIONS)	
	6.1 06.15.22	FIFTH SUBMITTAL (CURTAINWALL FIELD MEASUREMENTS)	
	6.2 06.20.22	SIXTH SUBMITTAL (CURTAINWALL FIELD MEASUREMENTS)	
	6.3 06.22.22	SEVENTH SUBMITTAL (CURTAINWALL FIELD MEASUREMENTS)	
	6.4 08.30.22	EIGHTH SUBMITTAL (INTERIOR STOREFRONT FIELD MEASUREMENTS)	
JOB NO.	4047		
REV. NO.			
SHEET NO.:		817	

SCOPE:
ALUMINUM
CURTAINWALL &
STOREFRONT

PROJECT:
NASHVILLE SC TRAINING FACILITY
4251 CENTURY FARMS TERRACE
NASHVILLE, TN 37013

**ALEXANDER
METALS INC.**
ARCHITECTURAL PRODUCT SPECIALISTS
107 CEDAR HOLLOW DRIVE, NASHVILLE, TN 37203
PHONE: (615) 258-9070 FAX: (615) 258-9823
www.AlexanderMetalsInc.com



BY: CCW

THIRD SUBMITTAL (INTERIOR REVISIONS)

FOURTH SUBMITTAL (INTERIOR REVISIONS)

FIFTH SUBMITTAL (CURTAINWALL FIELD MEASUREMENTS)

SIXTH SUBMITTAL (CURTAINWALL FIELD MEASUREMENTS)

SEVENTH SUBMITTAL (CURTAINWALL FIELD MEASUREMENTS)

EIGHTH SUBMITTAL (INTERIOR STOREFRONT FIELD MEASUREMENTS)

NO. DATE

4.1 02.22

5.1 03.22

6.1 06.15.22

6.2 06.20.22

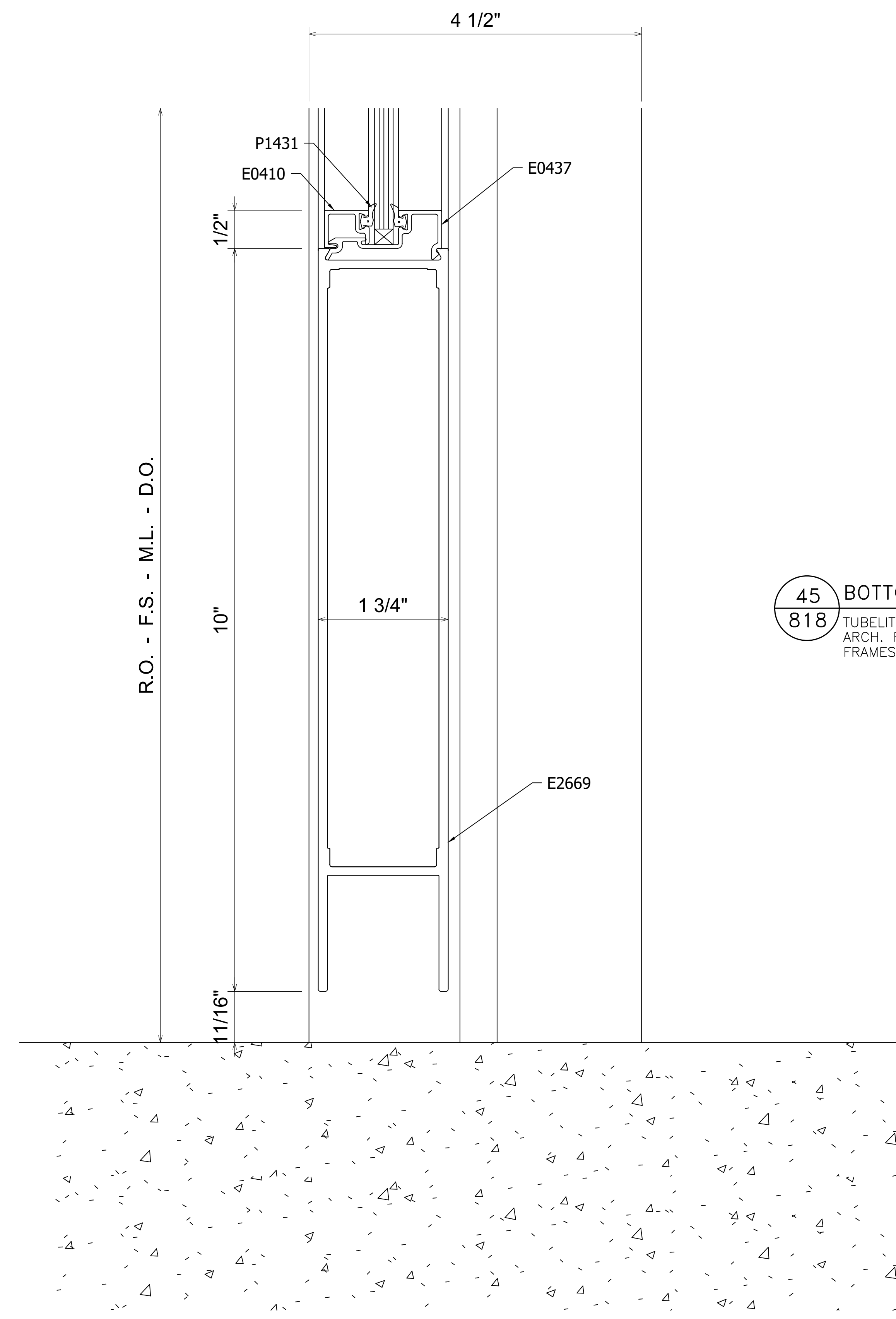
6.3 06.22.22

6.4 06.30.22

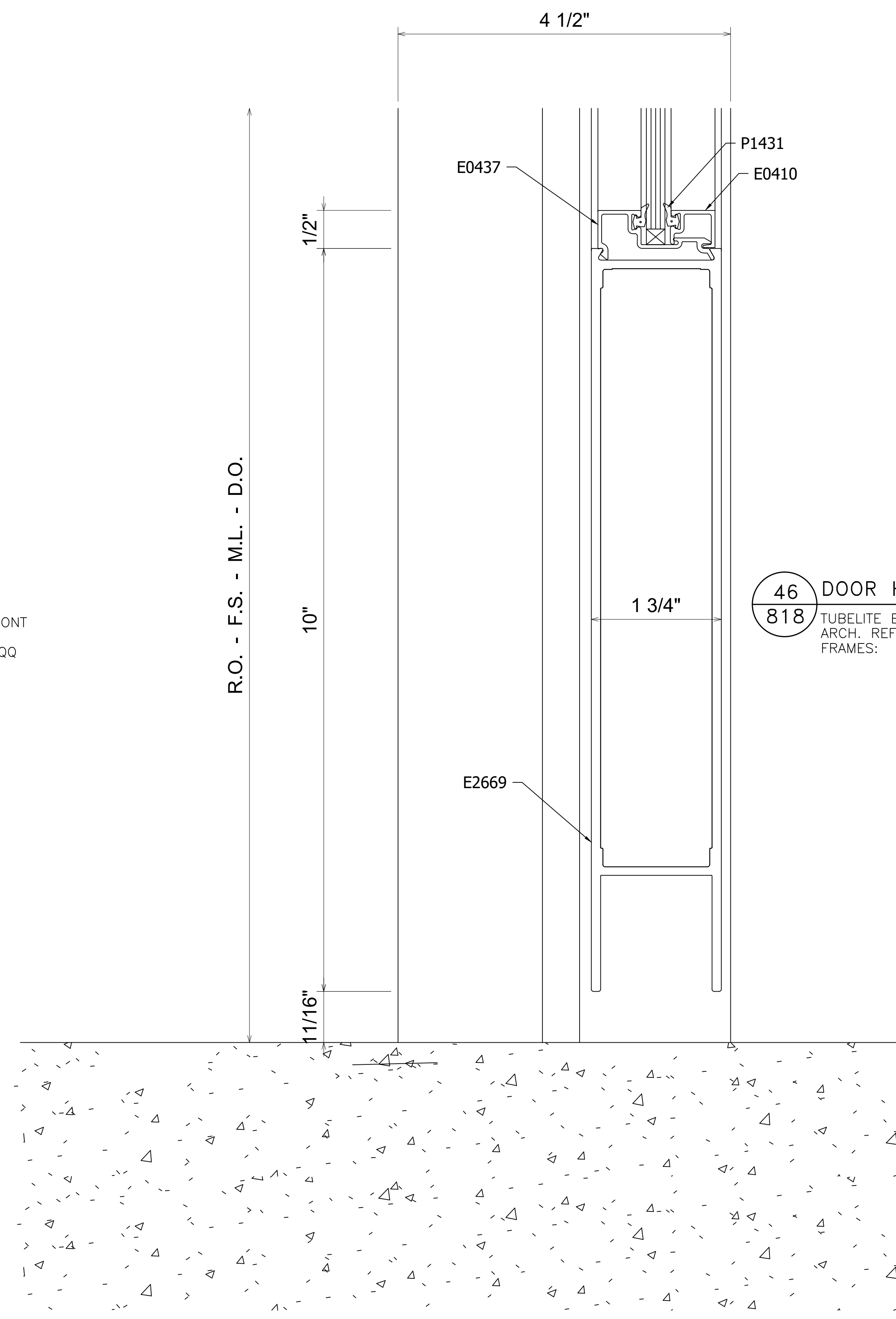
JOB NO. 4047

REV. NO.

SHEET NO.:



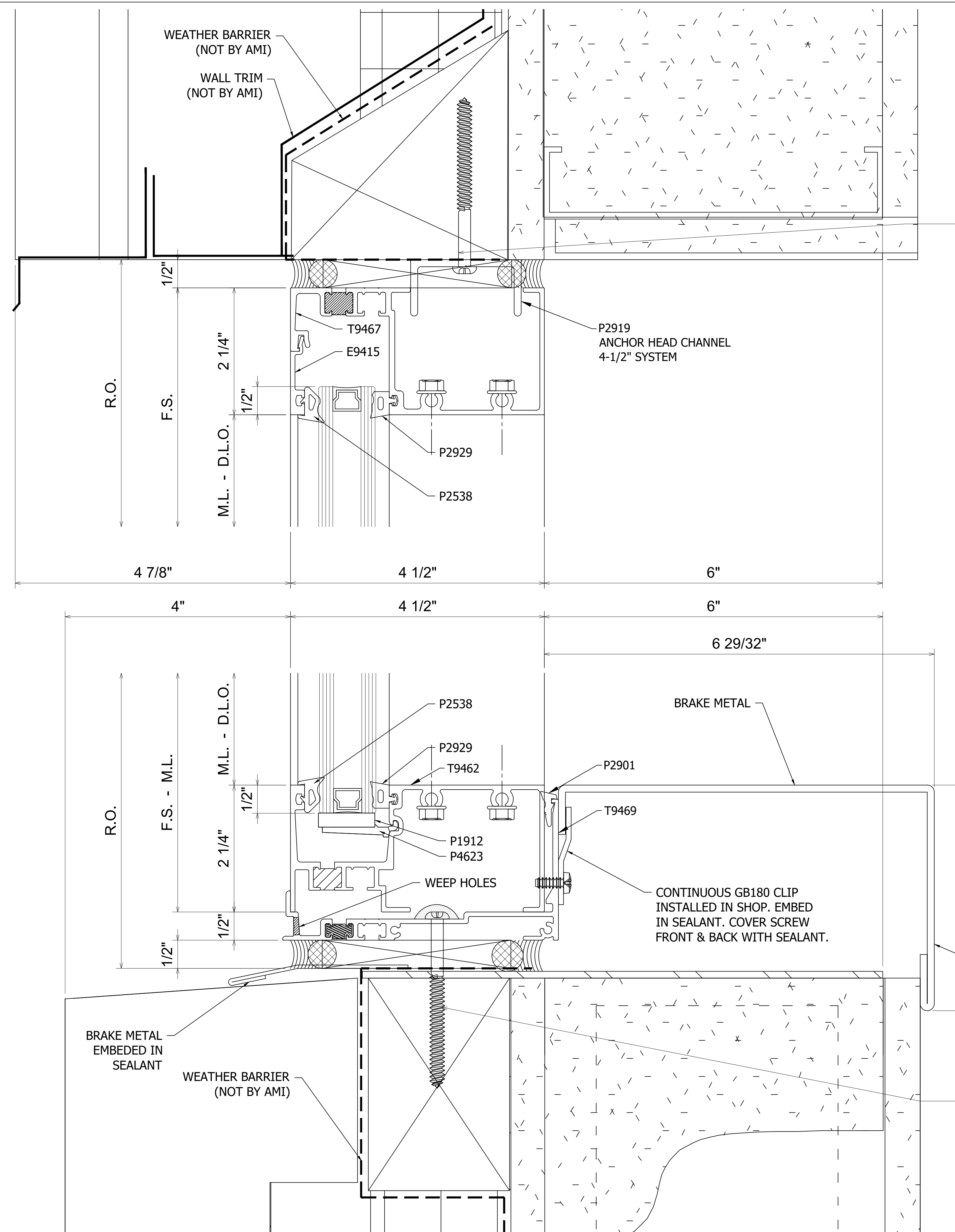
45 **818** **BOTTOM RAIL**
 TUBELITE E4500 INTERIOR STOREFRONT
 ARCH. REF.: N/A
 FRAMES: Z - DD - HH - II - QQ



46 **818** **DOOR HEAD**
 TUBELITE E4500 INTERIOR STOREFRONT
 ARCH. REF.: N/A
 FRAMES: A - BB - FF - GG - JJ
 LL

FRAME "KK" & "OO" DELETED FROM ALEXANDER METALS SCOPE OF WORK

SHEET NO.:		819	
SCALE:		N.T.S.	
SCOPE:		ALUMINUM CURTAINWALL & STOREFRONT	
PROJECT:		NASHVILLE SC TRAINING FACILITY 4251 CENTURY FARMS TERRACE NASHVILLE, TN 37013	
 ALEXANDER METALS INC. ARCHITECTURAL PRODUCT SPECIALISTS 107 CEDAR HOLLOW DRIVE, NASHVILLE, TN 37203 PHONE: (615) 256-9070 FAX: (615) 256-9023 www.AlexanderMetalsInc.com			
NO.	DATE	SUBMITTAL / REVISION	BY
4.1	03.02.22	THIRD SUBMITTAL (INTERIOR REVISIONS)	CCW
5.1	03.31.22	FOURTH SUBMITTAL (INTERIOR REVISIONS)	CCW
6.1	06.15.22	FIFTH SUBMITTAL (CURTAINWALL FIELD MEASUREMENTS)	CCW
6.2	06.20.22	SIXTH SUBMITTAL (CURTAINWALL FIELD MEASUREMENTS)	CCW
6.3	06.22.22	SEVENTH SUBMITTAL (CURTAINWALL FIELD MEASUREMENTS)	CCW
6.4	08.30.22	EIGHTH SUBMITTAL (INTERIOR STOREFRONT FIELD MEASUREMENTS)	CCW
JOB NO.		4047	
REV. NO.			
SHEET NO.:		819	



#12 WOOD SCREW WITH A MINIMUM 1-1/2" PENETRATION
MINIMUM 1/2" EDGE DISTANCE
SPACED 3" FROM END AND 24" O.C. THEREAFTER

45 HEAD
901 TUBELITE 900 RIBBON WALL
ARCH. REF.: 9/A522
FRAMES: N - O - P - T - U
V - W - X - Y

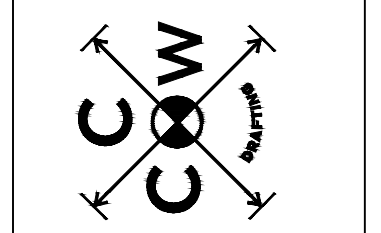
46 SILL
901 TUBELITE 900 RIBBON WALL
ARCH. REF.: 8/A522
FRAMES: N - O - P - R - T
U - V - W - X - Y

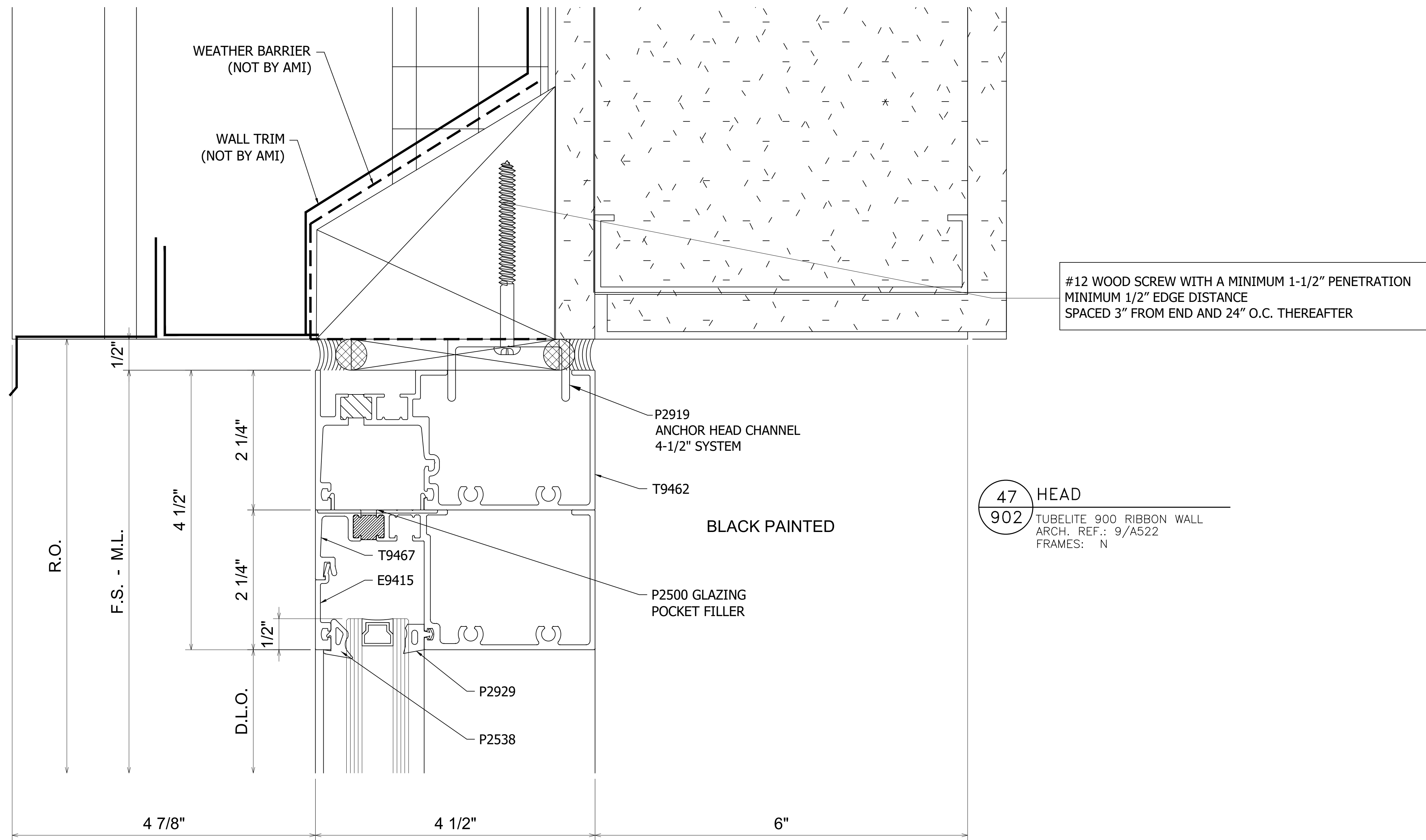
#12 WOOD SCREW WITH A MINIMUM 1-1/2" PENETRATION
MINIMUM 1/2" EDGE DISTANCE
SPACED 3" FROM END AND 24" O.C. THEREAFTER

A/E NOTE: CONFIRM THIS SHAPE IS ACCEPTABLE

SHEET NO.:		901	
SCALE:		N.T.S.	
SCOPE:		ALUMINUM CURTAINWALL & STOREFRONT	
PROJECT:		NASHVILLE SC TRAINING FACILITY 4251 CENTURY FARMS TERRACE NASHVILLE, TN 37013	
BY:		SUBMITTAL / REVISION	
NO.	DATE	THIRD SUBMITTAL (INTERIOR REVISIONS)	FOURTH SUBMITTAL (INTERIOR REVISIONS)
4.1	03.22	5.1	03.22
5.1	03.22	6.1	06.15.22
6.1	06.15.22	7.1	06.20.22
7.1	06.20.22	8.1	06.22.22
8.1	06.22.22	9.1	06.30.22
9.1	06.30.22		
JOB NO.		4047	
REV. NO.			
SHEET NO.:		901	

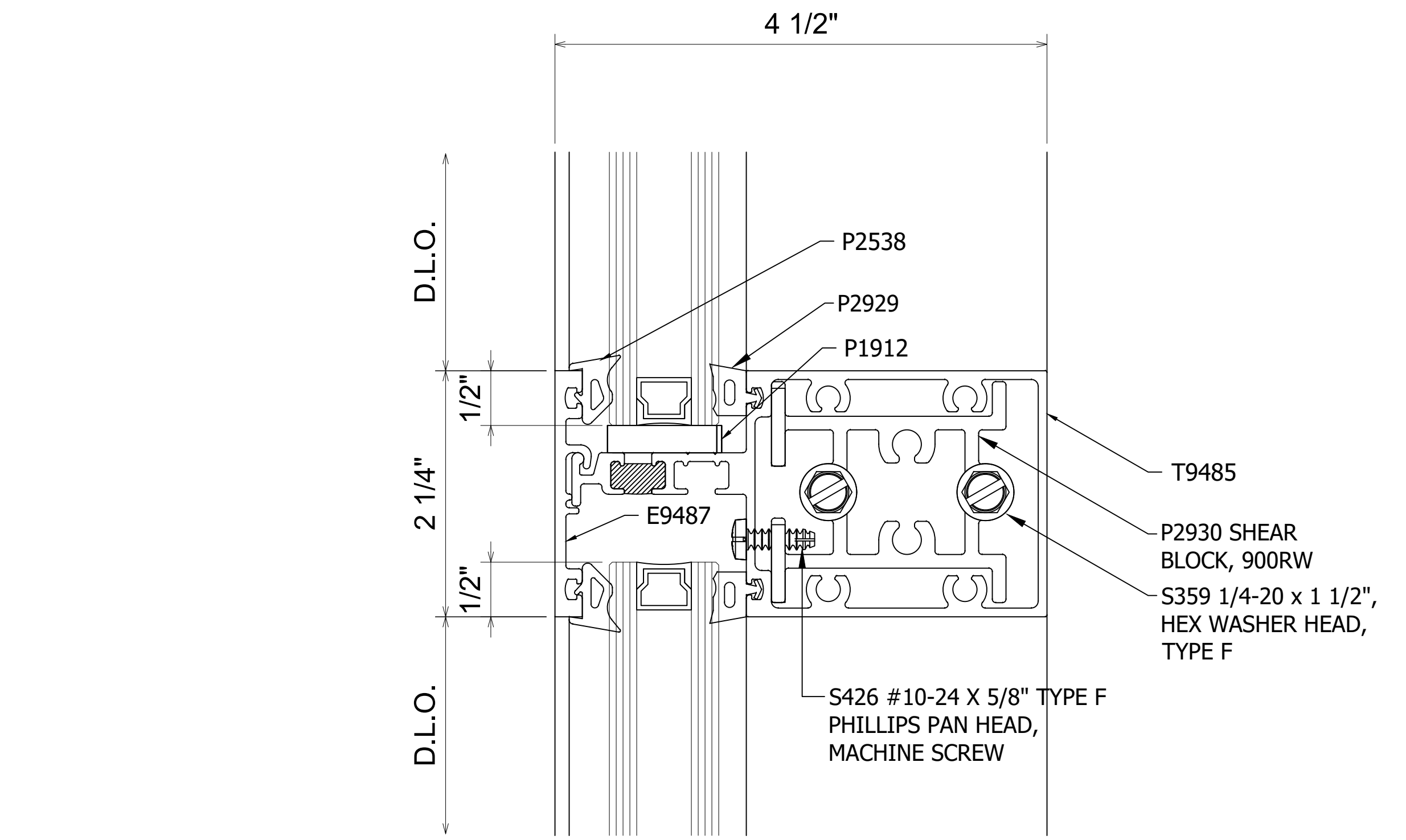
ALEXANDER METALS INC.
ARCHITECTURAL PRODUCT SPECIALISTS
10705 BELLEVILLE AVENUE, SUITE 200
NASHVILLE, TENNESSEE 37217
PHONE: (615) 256-9070 FAX: (615) 256-9023
www.AlexanderMetalsInc.com





#12 WOOD SCREW WITH A MINIMUM 1-1/2" PENETRATION
MINIMUM 1/2" EDGE DISTANCE
SPACED 3" FROM END AND 24" O.C. THEREAFTER

47 HEAD
902 TUBELITE 900 RIBBON WALL
ARCH. REF.: 9/A522
FRAMES: N



48 HORIZONTAL @ SSG VERTICALS
902 TUBELITE 900 RIBBON WALL
ARCH. REF.: N/A
FRAMES: N - O - P - T - U
V - W - X - Y

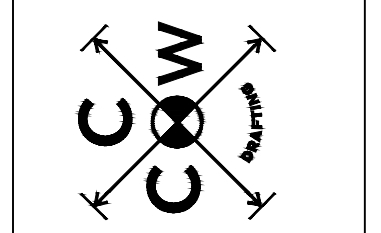
SHEET NO.:
902

SCALE:
N.T.S.

SCOPE:
ALUMINUM
CURTAINWALL &
STOREFRONT

PROJECT:
NASHVILLE SC TRAINING FACILITY
4251 CENTURY FARMS TERRACE
NASHVILLE, TN 37013

**ALEXANDER
METALS INC.**
ARCHITECTURAL PRODUCT SPECIALISTS
1070 GLENN AVENUE, NASHVILLE, TENNESSEE 37203
PHONE: (615) 258-9070 FAX: (615) 258-9023
www.AlexanderMetalsInc.com



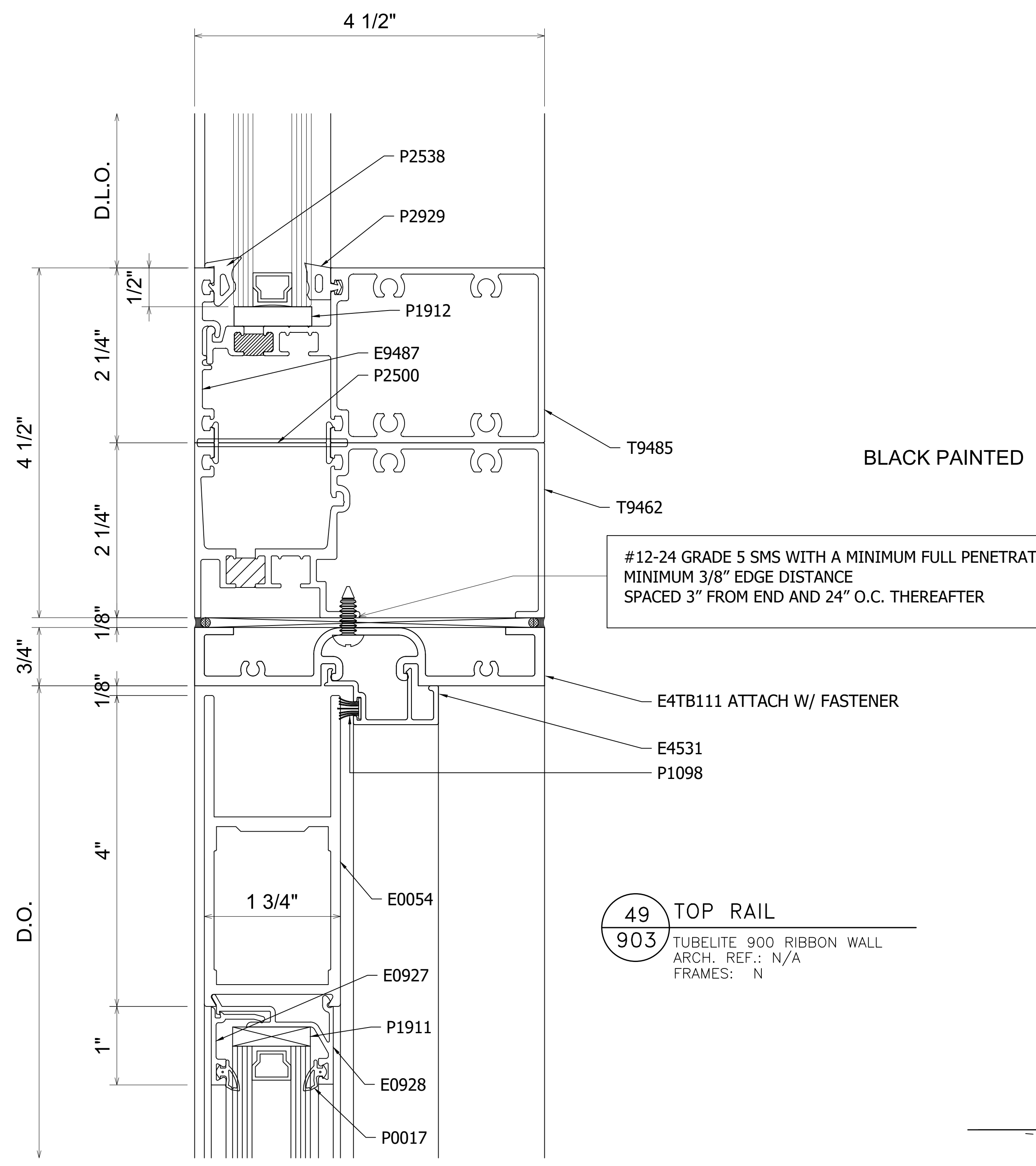
NO.	DATE	SUBMITTAL / REVISION	BY
4.1	02.02.22	THIRD SUBMITTAL (INTERIOR REVISIONS)	CCW
5.1	03.31.22	FOURTH SUBMITTAL (INTERIOR REVISIONS)	CCW
6.1	06.15.22	FIFTH SUBMITTAL (CURTAINWALL FIELD MEASUREMENTS)	CCW
6.2	06.20.22	SIXTH SUBMITTAL (CURTAINWALL FIELD MEASUREMENTS)	CCW
6.3	08.22.22	SEVENTH SUBMITTAL (CURTAINWALL FIELD MEASUREMENTS)	CCW
6.4	08.30.22	EIGHTH SUBMITTAL (INTERIOR STOREFRONT FIELD MEASUREMENTS)	CCW

JOB NO. 4047
REV. NO.

SHEET NO.:
902

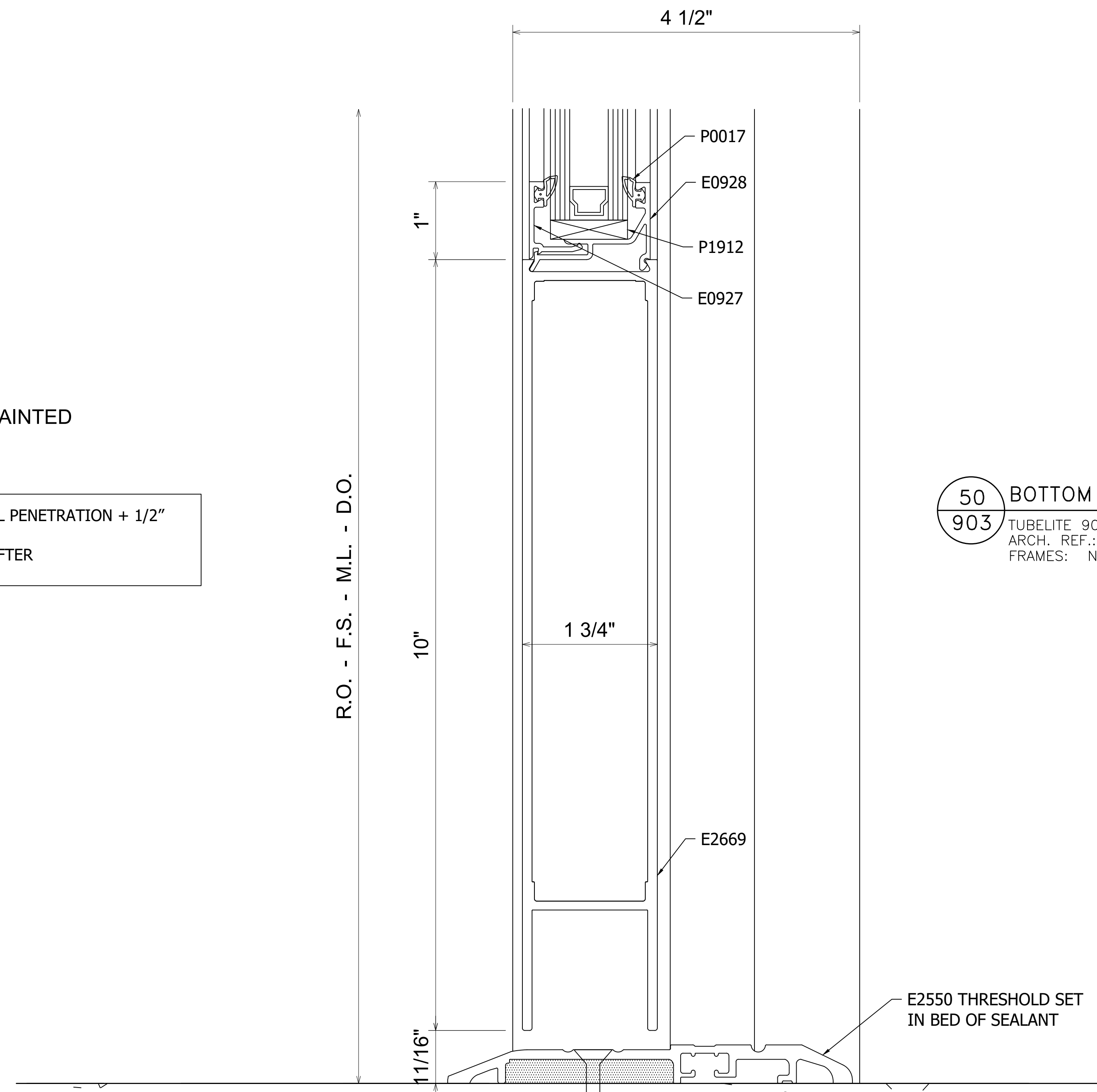
NO.	DATE	REVISION	BY
4.1	02.22	THIRD SUBMITTAL (INTERIOR REVISIONS)	CCW
5.1	03.12	FOURTH SUBMITTAL (INTERIOR REVISIONS)	CCW
6.1	06.15	FIFTH SUBMITTAL (CURTAINWALL FIELD MEASUREMENTS)	CCW
6.2	06.20	SIXTH SUBMITTAL (CURTAINWALL FIELD MEASUREMENTS)	CCW
6.3	06.22	SEVENTH SUBMITTAL (CURTAINWALL FIELD MEASUREMENTS)	CCW
6.4	06.30	EIGHTH SUBMITTAL (INTERIOR STOREFRONT FIELD MEASUREMENTS)	CCW

JOB NO.	4047
REV. NO.	

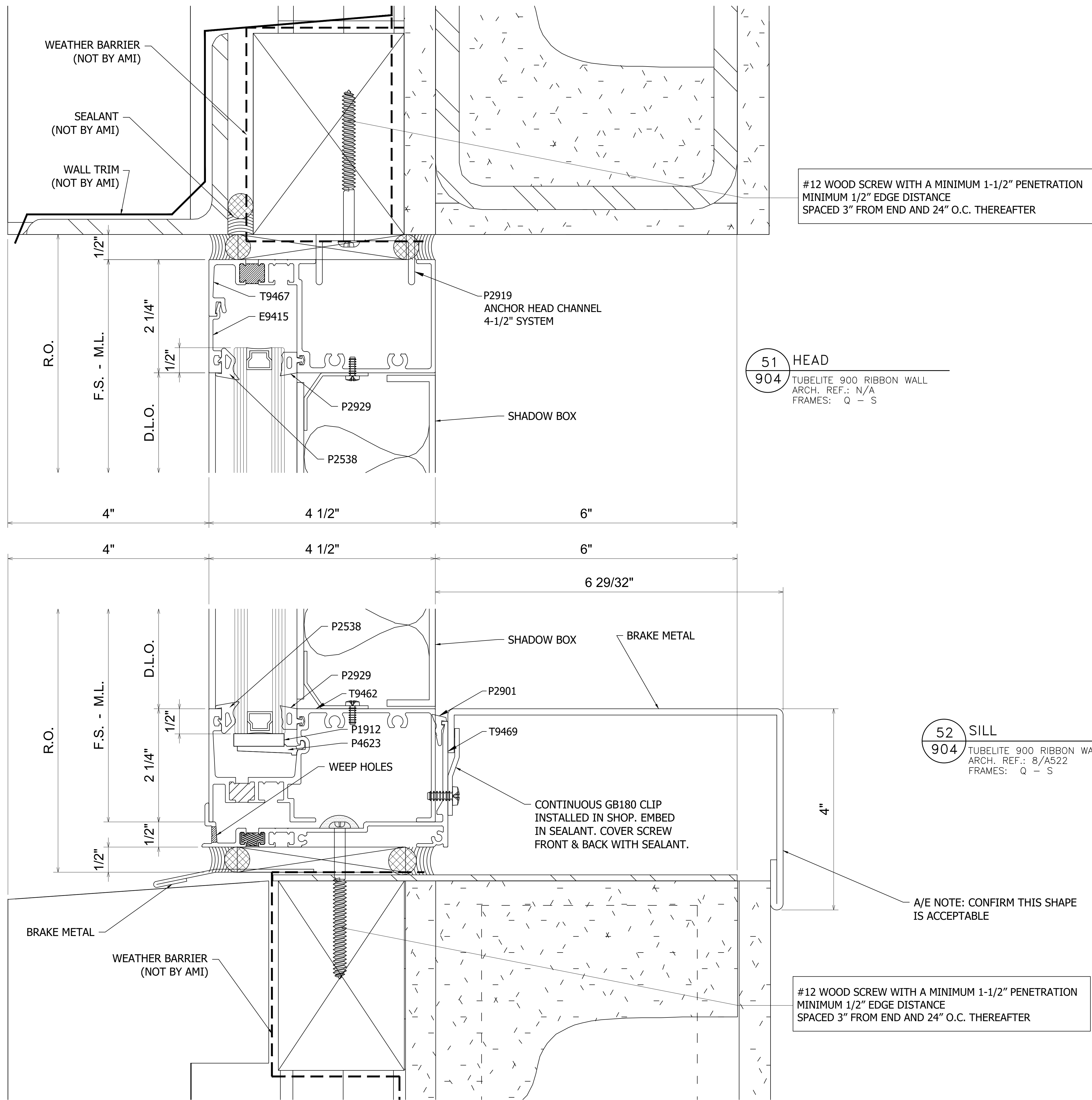


49 TOP RAIL
903 TUBELITE 900 RIBBON WALL
ARCH. REF.: N/A
FRAMES: N

50 BOTTOM RAIL
903 TUBELITE 900 RIBBON WALL
ARCH. REF.: N/A
FRAMES: N



1/4" COUNTERSUNK HILTI KWIK CON II + WITH MINIMUM 1-3/4" EMBEDMENT
MINIMUM 1-1/2" EDGE DISTANCE
SPACED 3" FROM END AND 18" O.C. THEREAFTER



#12 WOOD SCREW WITH A MINIMUM 1-1/2" PENETRATION
MINIMUM 1/2" EDGE DISTANCE
SPACED 3" FROM END AND 24" O.C. THEREAFTER

51 HEAD
904 TUBELITE 900 RIBBON WALL
ARCH. REF.: N/A
FRAMES: Q - S

52 SILL
904 TUBELITE 900 RIBBON WALL
ARCH. REF.: 8/A522
FRAMES: Q - S

#12 WOOD SCREW WITH A MINIMUM 1-1/2" PENETRATION
MINIMUM 1/2" EDGE DISTANCE
SPACED 3" FROM END AND 24" O.C. THEREAFTER

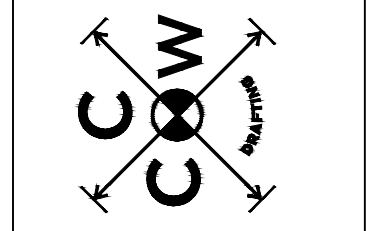
A/E NOTE: CONFIRM THIS SHAPE IS ACCEPTABLE

SHEET NO.:
904
SCALE:
N.T.S.

SCOPE:
ALUMINUM
CURTAINWALL &
STOREFRONT

PROJECT:
NASHVILLE SC TRAINING FACILITY
4251 CENTURY FARMS TERRACE
NASHVILLE, TN 37013

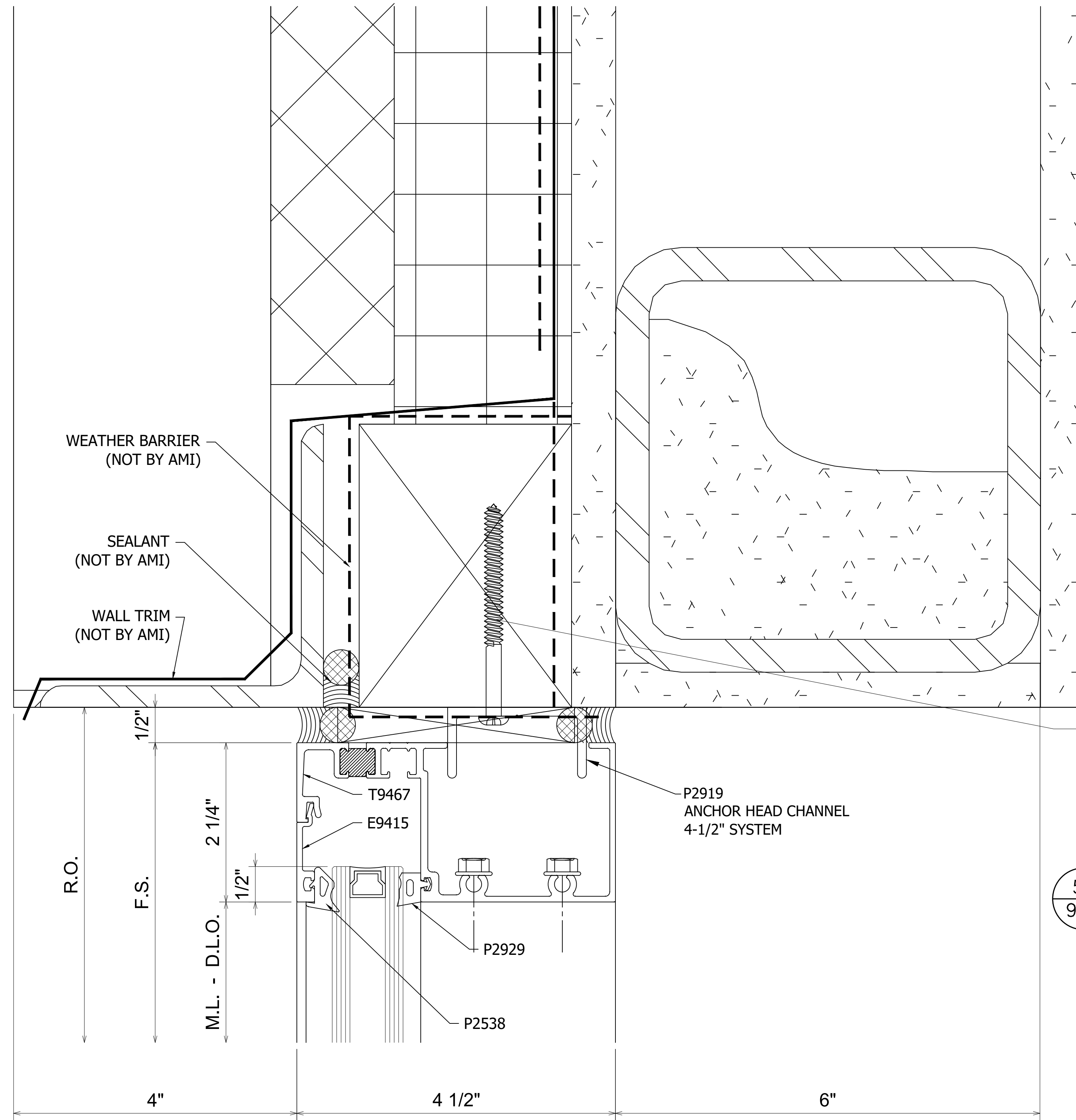
ALEXANDER METALS INC.
ARCHITECTURAL PRODUCT SPECIALISTS
1070 GLENN AVENUE, NASHVILLE, TENNESSEE 37203
PHONE: (615) 256-9070 FAX: (615) 256-9023
www.AlexanderMetalsInc.com



NO.	DATE	REVISION	BY
4.1	02.02.22	THIRD SUBMITTAL (INTERIOR REVISIONS)	CCW
5.1	03.31.22	FOURTH SUBMITTAL (INTERIOR REVISIONS)	CCW
6.1	06.15.22	FIFTH SUBMITTAL (CURTAINWALL FIELD MEASUREMENTS)	CCW
6.2	06.20.22	SIXTH SUBMITTAL (CURTAINWALL FIELD MEASUREMENTS)	CCW
6.3	08.22.22	SEVENTH SUBMITTAL (CURTAINWALL FIELD MEASUREMENTS)	CCW
6.4	08.30.22	EIGHTH SUBMITTAL (INTERIOR STOREFRONT FIELD MEASUREMENTS)	CCW

JOB NO. 4047
REV. NO.

SHEET NO.:
904



#12 WOOD SCREW WITH A MINIMUM 1-1/2" PENETRATION
 MINIMUM 1/2" EDGE DISTANCE
 SPACED 3" FROM END AND 24" O.C. THEREAFTER

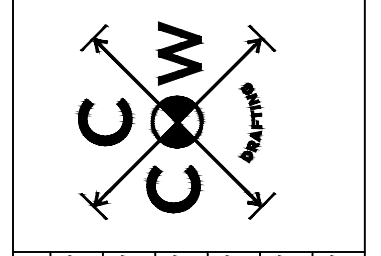
53 HEAD
 905 TUBELITE 900 RIBBON WALL
 ARCH. REF.: N/A
 FRAMES: R

SHEET NO.:
905
 SCALE:
 N.T.S.

SCOPE:
 ALUMINUM CURTAINWALL & STOREFRONT

PROJECT:
 NASHVILLE SC TRAINING FACILITY
 4251 CENTURY FARMS TERRACE
 NASHVILLE, TN 37013

ALEXANDER METALS INC.
 ARCHITECTURAL PRODUCT SPECIALISTS
 10705 GLENNDALE TERRACE, SUITE 2700
 NASHVILLE, TN 37217
 PHONE: (615) 258-9070 FAX: (615) 258-9823
 www.AlexanderMetalsInc.com



NO.	DATE	BY	REVISION
4.1	02.02.22	CCW	THIRD SUBMITTAL (INTERIOR REVISIONS)
5.1	03.31.22	CCW	FOURTH SUBMITTAL (INTERIOR REVISIONS)
6.1	06.15.22	CCW	FIFTH SUBMITTAL (CURTAINWALL FIELD MEASUREMENTS)
6.2	06.20.22	CCW	SIXTH SUBMITTAL (CURTAINWALL FIELD MEASUREMENTS)
6.3	06.22.22	CCW	SEVENTH SUBMITTAL (CURTAINWALL FIELD MEASUREMENTS)
6.4	08.30.22	CCW	EIGHTH SUBMITTAL (INTERIOR STOREFRONT FIELD MEASUREMENTS)

JOB NO. 4047

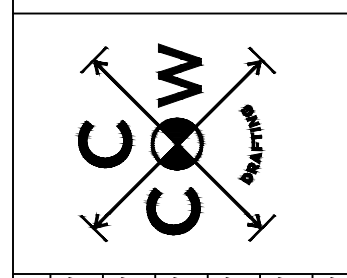
REV. NO.

SHEET NO.:
905

SCOPE:
ALUMINUM
CURTAINWALL
STOREFRONT

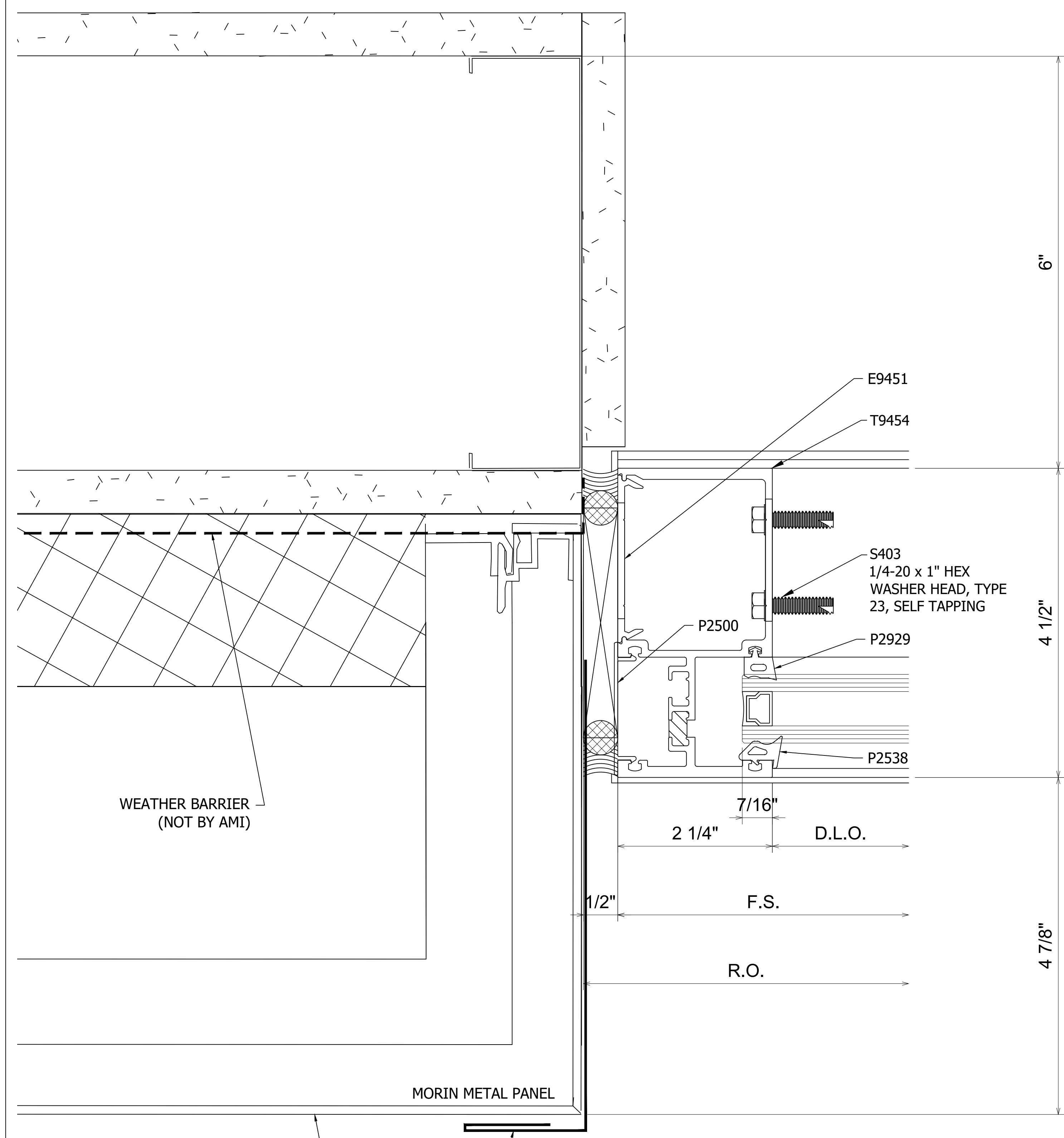
PROJECT:
NASHVILLE SC TRAINING FACILITY
4251 CENTURY FARMS TERRACE
NASHVILLE, TN 37013

**ALEXANDER
METALS INC.**
ARCHITECTURAL PRODUCT SPECIALISTS
10705 GLENNDALE TERN RD. SUITE 2700
NASHVILLE, TENNESSEE 37210
PHONE: (615) 258-9070 FAX: (615) 258-9023
www.AlexanderMetalsInc.com

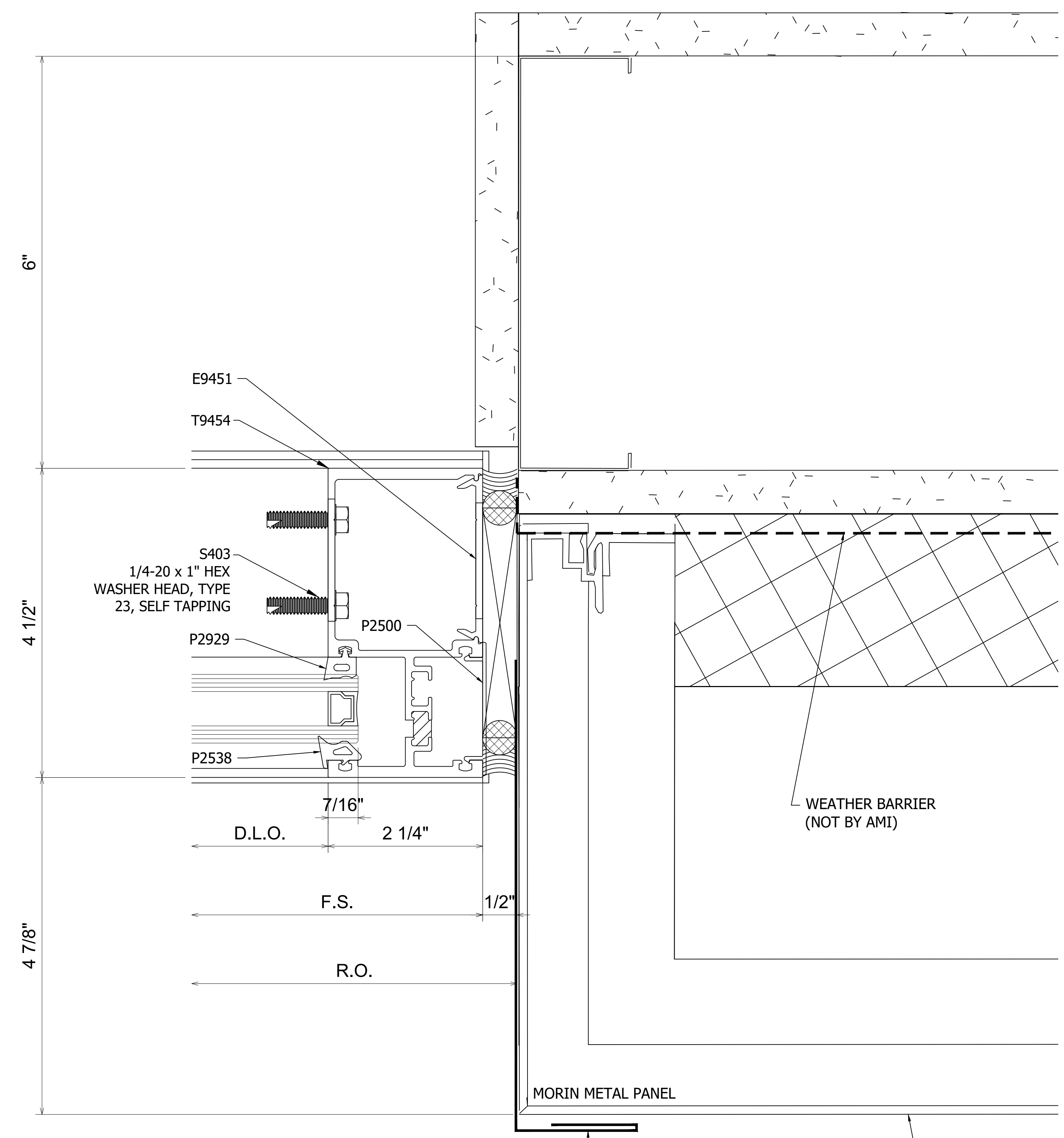


NO.	DATE	REVISION
4.1	02.02.22	THIRD SUBMITTAL (INTERIOR REVISIONS)
5.1	03.31.22	FOURTH SUBMITTAL (INTERIOR REVISIONS)
6.1	06.15.22	FIFTH SUBMITTAL (CURTAINWALL FIELD MEASUREMENTS)
6.2	06.20.22	SIXTH SUBMITTAL (CURTAINWALL FIELD MEASUREMENTS)
6.3	08.22.22	SEVENTH SUBMITTAL (CURTAINWALL FIELD MEASUREMENTS)
6.4	08.30.22	EIGHTH SUBMITTAL (INTERIOR STOREFRONT FIELD MEASUREMENTS)

BY	CCW
BY	CCW
BY	CCW
BY	CCW
BY	CCW



54 JAMB
906 TUBELITE 900 RIBBON WALL
ARCH. REF.: N/A
FRAMES: N - O - P - U
V - W - X - Y



55 JAMB
906 TUBELITE 900 RIBBON WALL
ARCH. REF.: N/A
FRAMES: O - P - T - V - W
X - Y

SEE SEPARATE SHOP DRAWINGS FOR MORIN METAL PANEL

FLASHING MK-E-08 (NOT BY AMI)

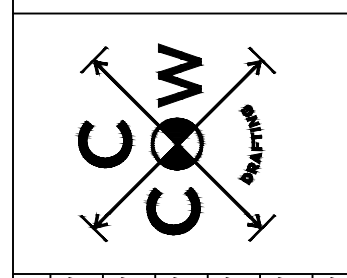
SEE SEPARATE SHOP DRAWINGS FOR MORIN METAL PANEL

FLASHING MK-E-08 (NOT BY AMI)

SCOPE:
ALUMINUM
CURTAINWALL
STOREFRONT

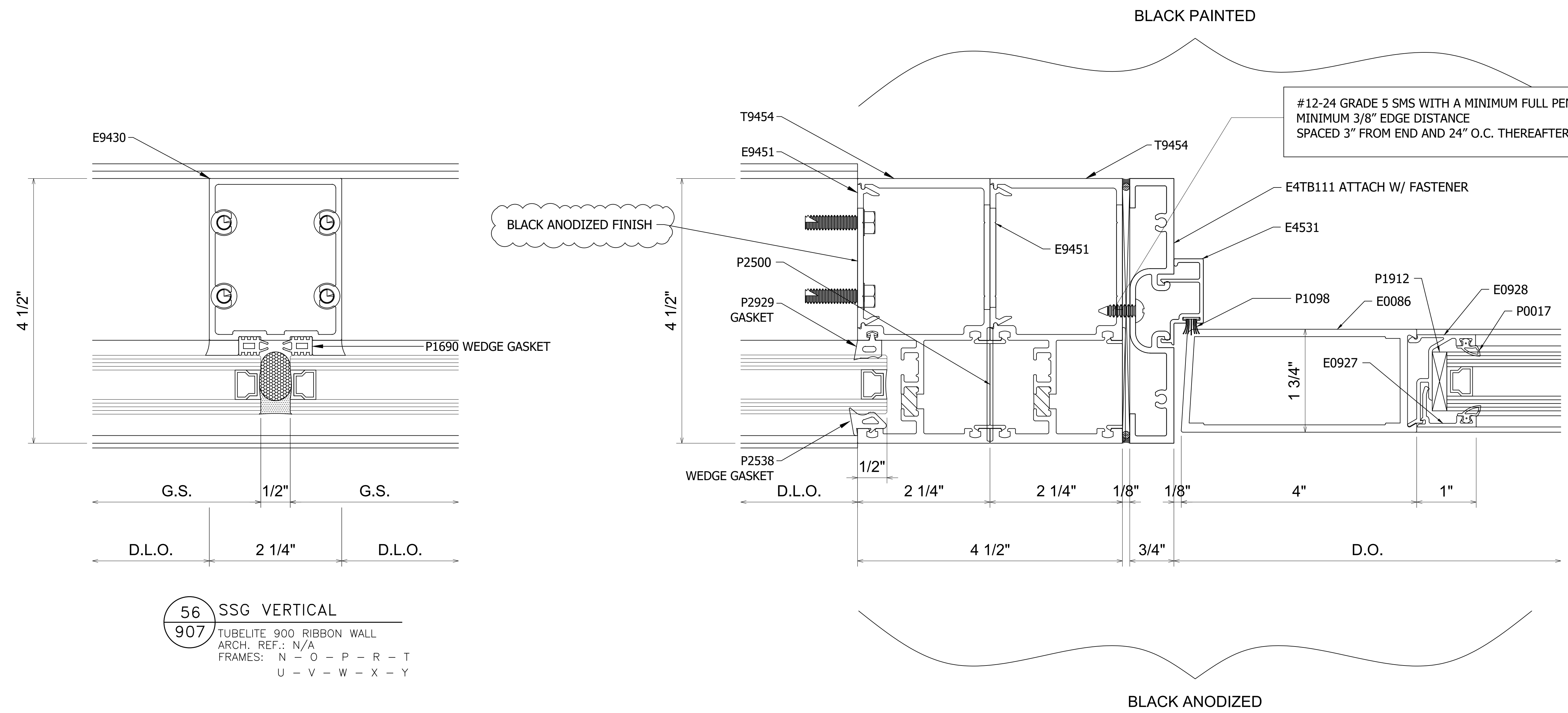
PROJECT:
NASHVILLE SC TRAINING FACILITY
4251 CENTURY FARMS TERRACE
NASHVILLE, TN 37013

ALEXANDER METALS INC.
ARCHITECTURAL PRODUCT SPECIALISTS
407 CEDAR HAVEN DRIVE, NASHVILLE, TN 37203
PHONE: (615) 258-9070 FAX: (615) 258-9023
www.AlexanderMetalsInc.com



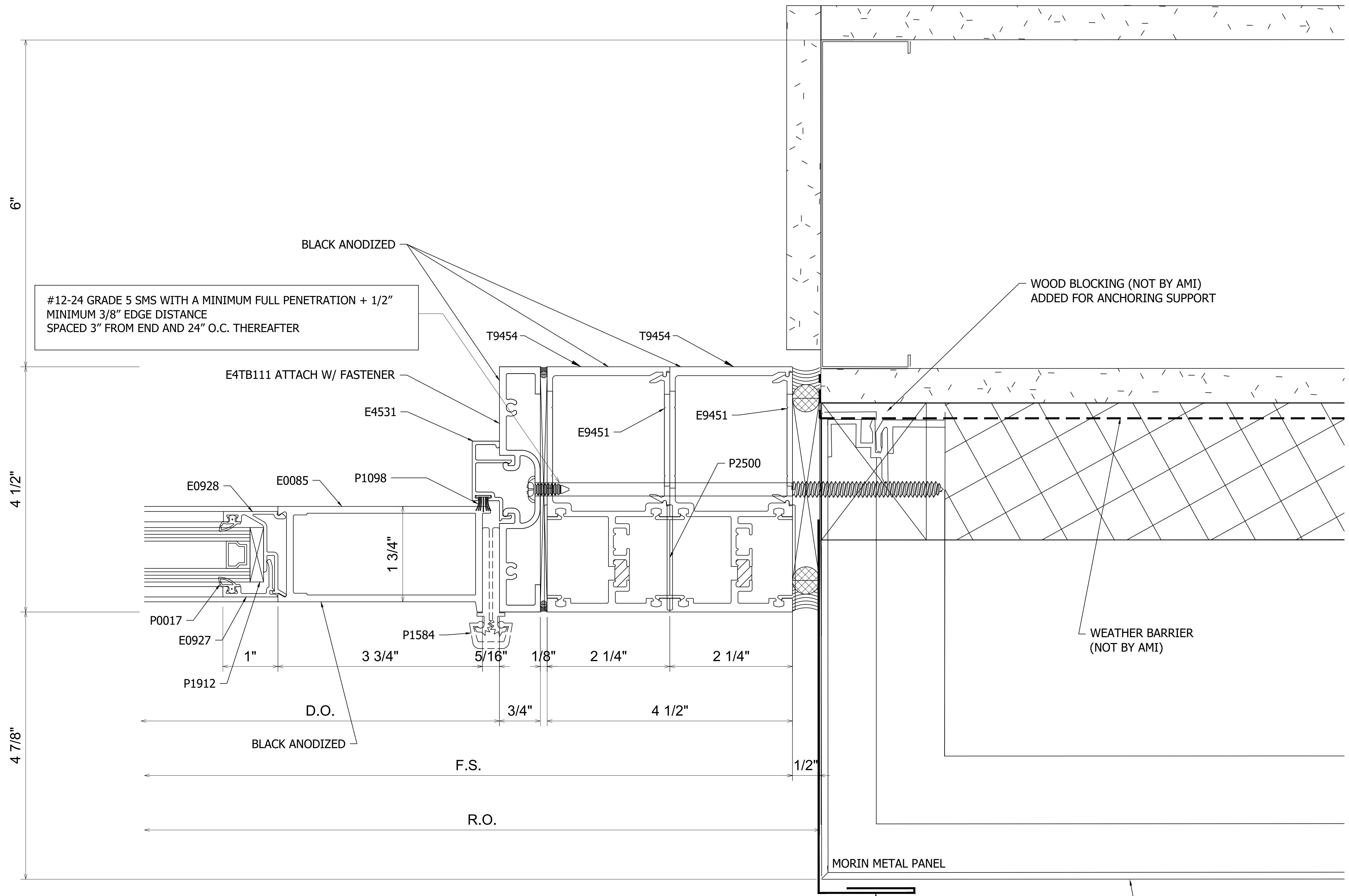
NO.	DATE	REVISION	BY
4.1	02.02.22	THIRD SUBMITTAL (INTERIOR REVISIONS)	CCW
5.1	03.31.22	FOURTH SUBMITTAL (INTERIOR REVISIONS)	CCW
6.1	06.15.22	FIFTH SUBMITTAL (CURTAINWALL FIELD MEASUREMENTS)	CCW
6.2	06.20.22	SIXTH SUBMITTAL (CURTAINWALL FIELD MEASUREMENTS)	CCW
6.3	06.22.22	SEVENTH SUBMITTAL (CURTAINWALL FIELD MEASUREMENTS)	CCW
6.4	08.30.22	EIGHTH SUBMITTAL (INTERIOR STOREFRONT FIELD MEASUREMENTS)	CCW

JOB NO.	4047
REV. NO.	



56 SSG VERTICAL
907 TUBELITE 900 RIBBON WALL
ARCH. REF.: N/A
FRAMES: N - O - P - R - T
U - V - W - X - Y

57 DOOR JAMB
907 TUBELITE 900 RIBBON WALL
ARCH. REF.: N/A
FRAMES: N



#12-24 GRADE 5 SMS WITH A MINIMUM FULL PENETRATION + 1/2"
MINIMUM 3/8" EDGE DISTANCE
SPACED 3" FROM END AND 24" O.C. THEREAFTER

58 DOOR JAMB
908 TUBELITE 900 RIBBON WALL
ARCH. REF.: N/A
FRAMES: N

SEE SEPARATE SHOP DRAWINGS
FOR MORIN METAL PANEL

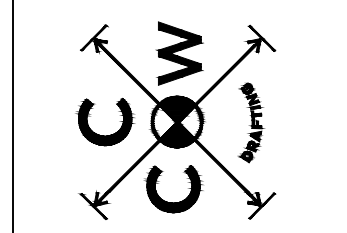
FLASHING MK-E-08
(NOT BY AMI)

SHEET NO.:
908
SCALE:
N.T.S.

SCOPE:
ALUMINUM
CURTAINWALL &
STOREFRONT

PROJECT:
NASHVILLE SC TRAINING FACILITY
4251 CENTURY FARMS TERRACE
NASHVILLE, TN 37013

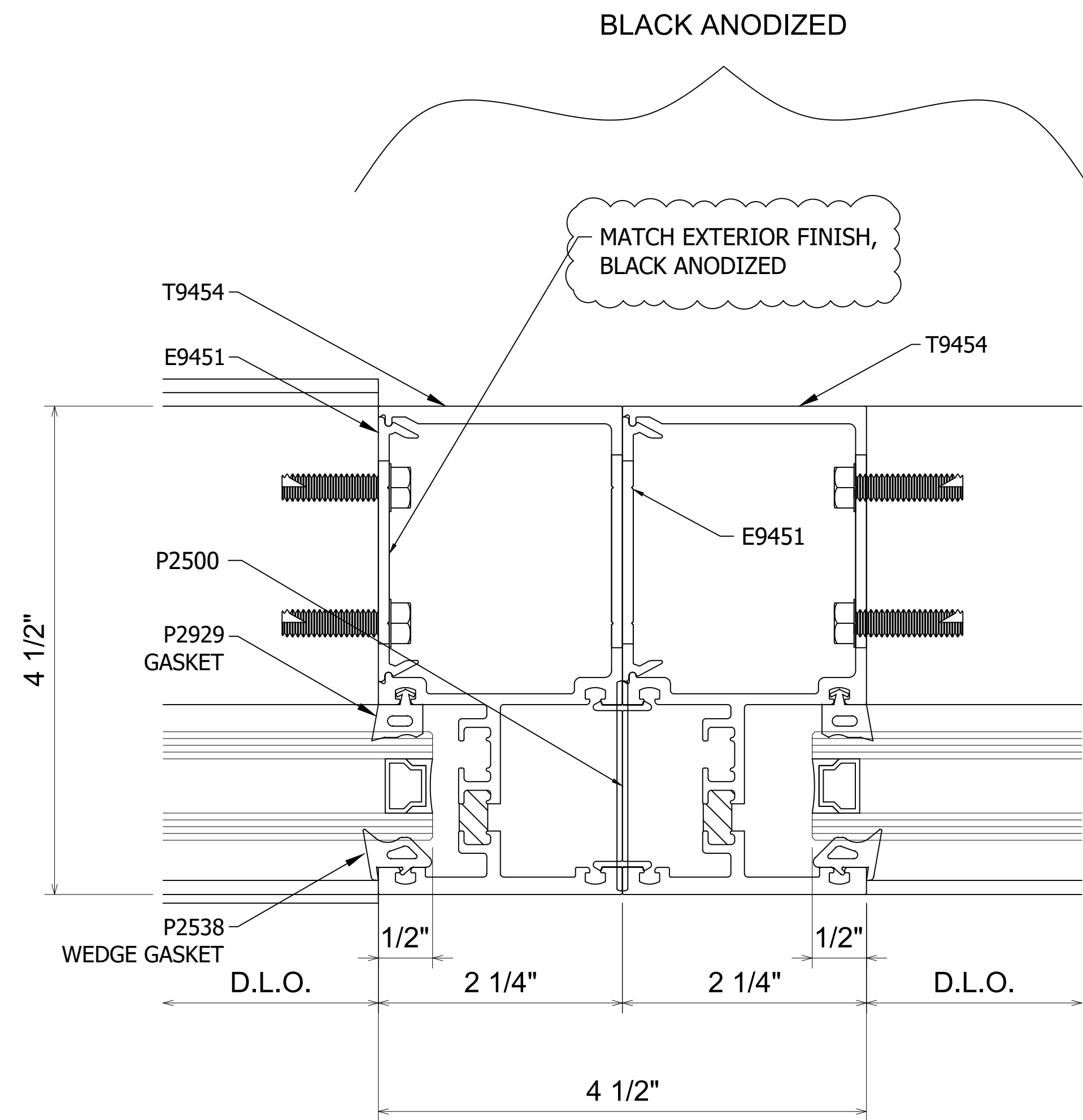
**ALEXANDER
METALS INC.**
ARCHITECTURAL PRODUCT SPECIALISTS
1007 OLE MISS BLVD NASHVILLE, TN 37203
PHONE: (615) 256-9070 FAX: (615) 256-9023
www.AlexanderMetalsInc.com



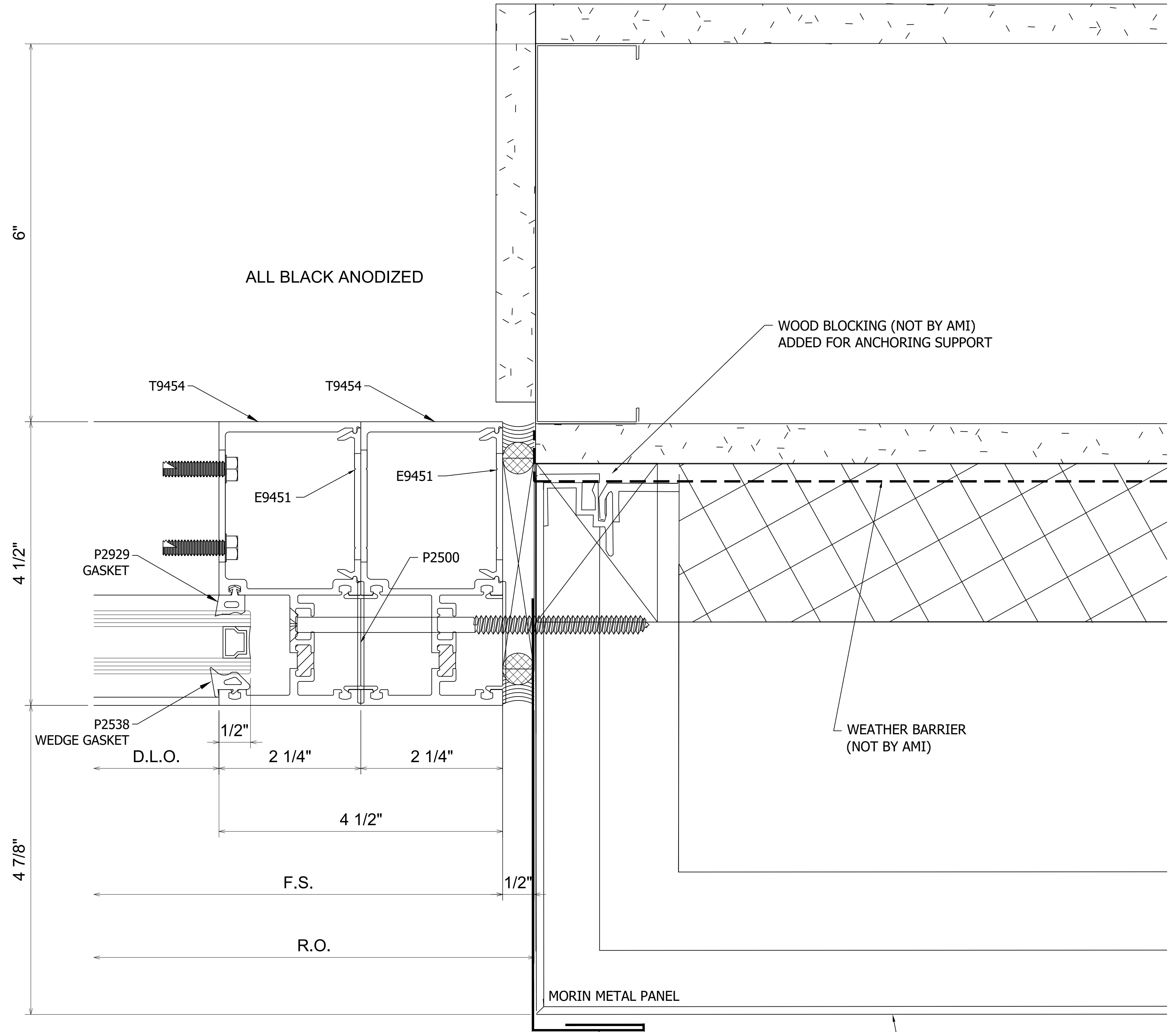
NO.	DATE	REVISION
4.1	02/22	THIRD SUBMITTAL (INTERIOR REVISIONS)
5.1	03/31	FOURTH SUBMITTAL (INTERIOR REVISIONS)
6.1	06/15/22	FIFTH SUBMITTAL (CURTAINWALL FIELD MEASUREMENTS)
6.2	06/20/22	SIXTH SUBMITTAL (CURTAINWALL FIELD MEASUREMENTS)
6.3	08/22/22	SEVENTH SUBMITTAL (CURTAINWALL FIELD MEASUREMENTS)
6.4	08/30/22	EIGHTH SUBMITTAL (INTERIOR STOREFRONT FIELD MEASUREMENTS)

BY: CCW
JOB NO.: 4047
REV. NO.:

SHEET NO.:
908



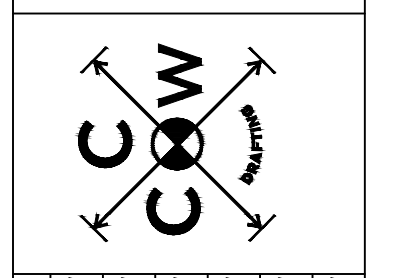
59 TRANSOM
 909 TUBELITE 900 RIBBON WALL
 ARCH. REF.: N/A
 FRAMES: N



60 TRANSOM
 909 TUBELITE 900 RIBBON WALL
 ARCH. REF.: N/A
 FRAMES: N

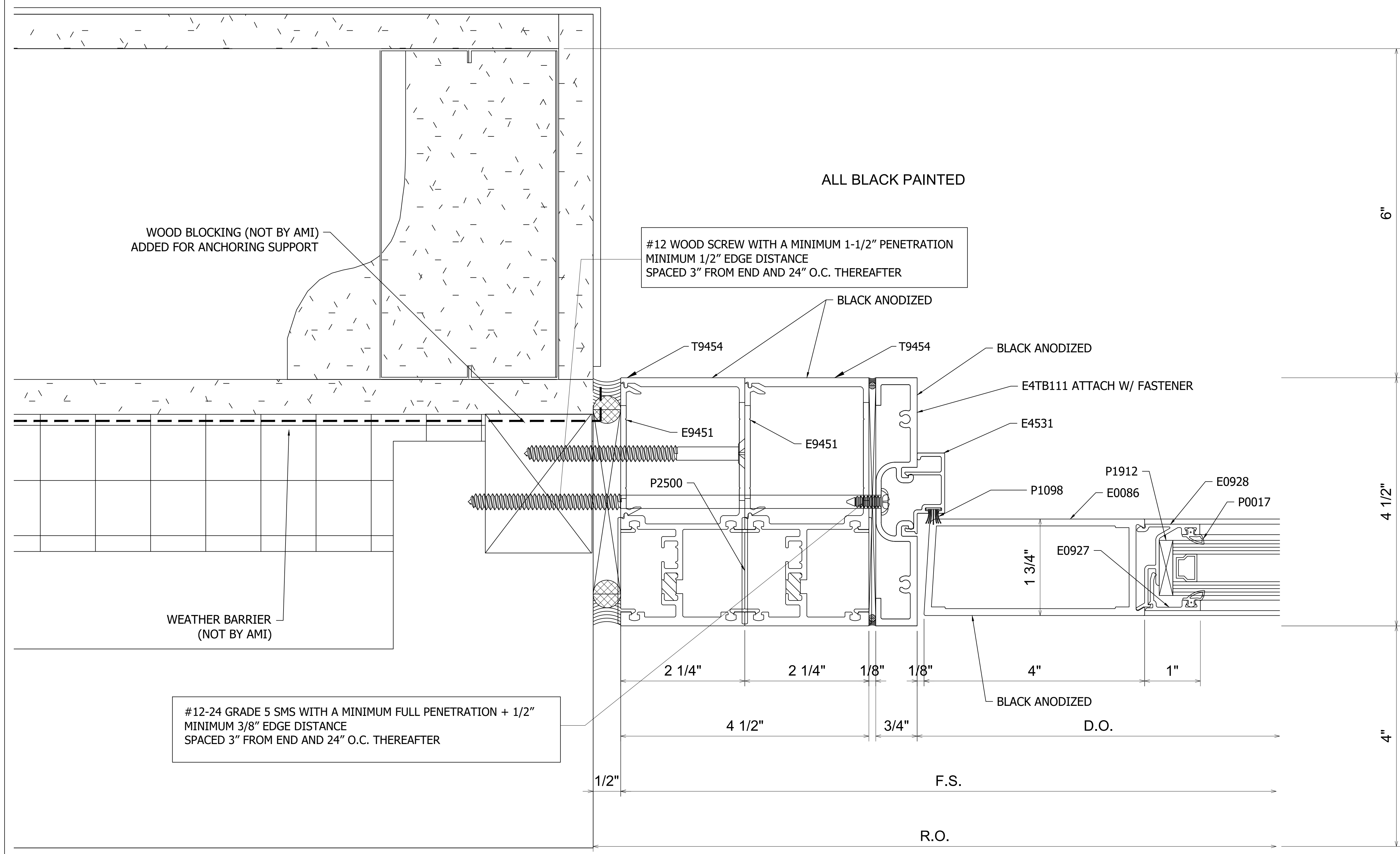
SEE SEPARATE SHOP DRAWINGS FOR MORIN METAL PANEL

FLASHING MK-E-08 (NOT BY AMI)



NO.	DATE	REVISION
4.1	01.02.22	THIRD SUBMITTAL (INTERIOR REVISIONS)
5.1	03.31.22	FOURTH SUBMITTAL (INTERIOR REVISIONS)
6.1	06.15.22	FIFTH SUBMITTAL (CURTAINWALL FIELD MEASUREMENTS)
6.2	06.20.22	SIXTH SUBMITTAL (CURTAINWALL FIELD MEASUREMENTS)
6.3	08.22.22	SEVENTH SUBMITTAL (CURTAINWALL FIELD MEASUREMENTS)
6.4	08.30.22	EIGHTH SUBMITTAL (INTERIOR STOREFRONT FIELD MEASUREMENTS)

BY	CCW
REV. NO.	4047



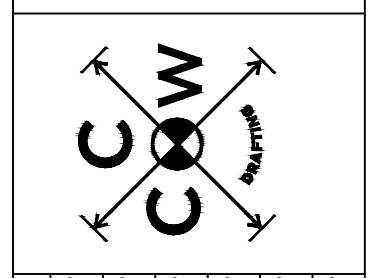
61 DOOR JAMB
 910 TUBELITE 900 RIBBON WALL
 ARCH. REF.: N/A
 FRAMES: N

SHEET NO.:
910
 SCALE:
 N.T.S.

SCOPE:
 ALUMINUM
 CURTAINWALL
 STOREFRONT

PROJECT:
 NASHVILLE SC TRAINING FACILITY
 4251 CENTURY FARMS TERRACE
 NASHVILLE, TN 37013

**ALEXANDER
 METALS INC.**
 ARCHITECTURAL PRODUCT SPECIALISTS
 10705 BELLEVILLE TURNPIKE, SUITE 2700
 NASHVILLE, TN 37217
 PHONE: (615) 256-9070 FAX: (615) 256-9023
 www.AlexanderMetalsInc.com

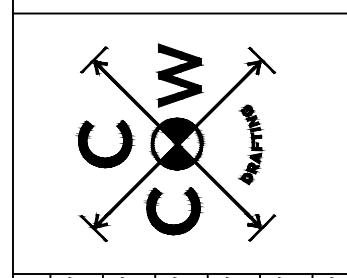


NO.	DATE	BY	REVISION
4.1	02.02.22	CCW	THIRD SUBMITTAL (INTERIOR REVISIONS)
5.1	03.31.22	CCW	FOURTH SUBMITTAL (INTERIOR REVISIONS)
6.1	06.15.22	CCW	FIFTH SUBMITTAL (CURTAINWALL FIELD MEASUREMENTS)
6.2	06.20.22	CCW	SIXTH SUBMITTAL (CURTAINWALL FIELD MEASUREMENTS)
6.3	08.22.22	CCW	SEVENTH SUBMITTAL (CURTAINWALL FIELD MEASUREMENTS)
6.4	08.30.22	CCW	EIGHTH SUBMITTAL (INTERIOR STOREFRONT FIELD MEASUREMENTS)

JOB NO. 4047

REV. NO.

SHEET NO.:
910

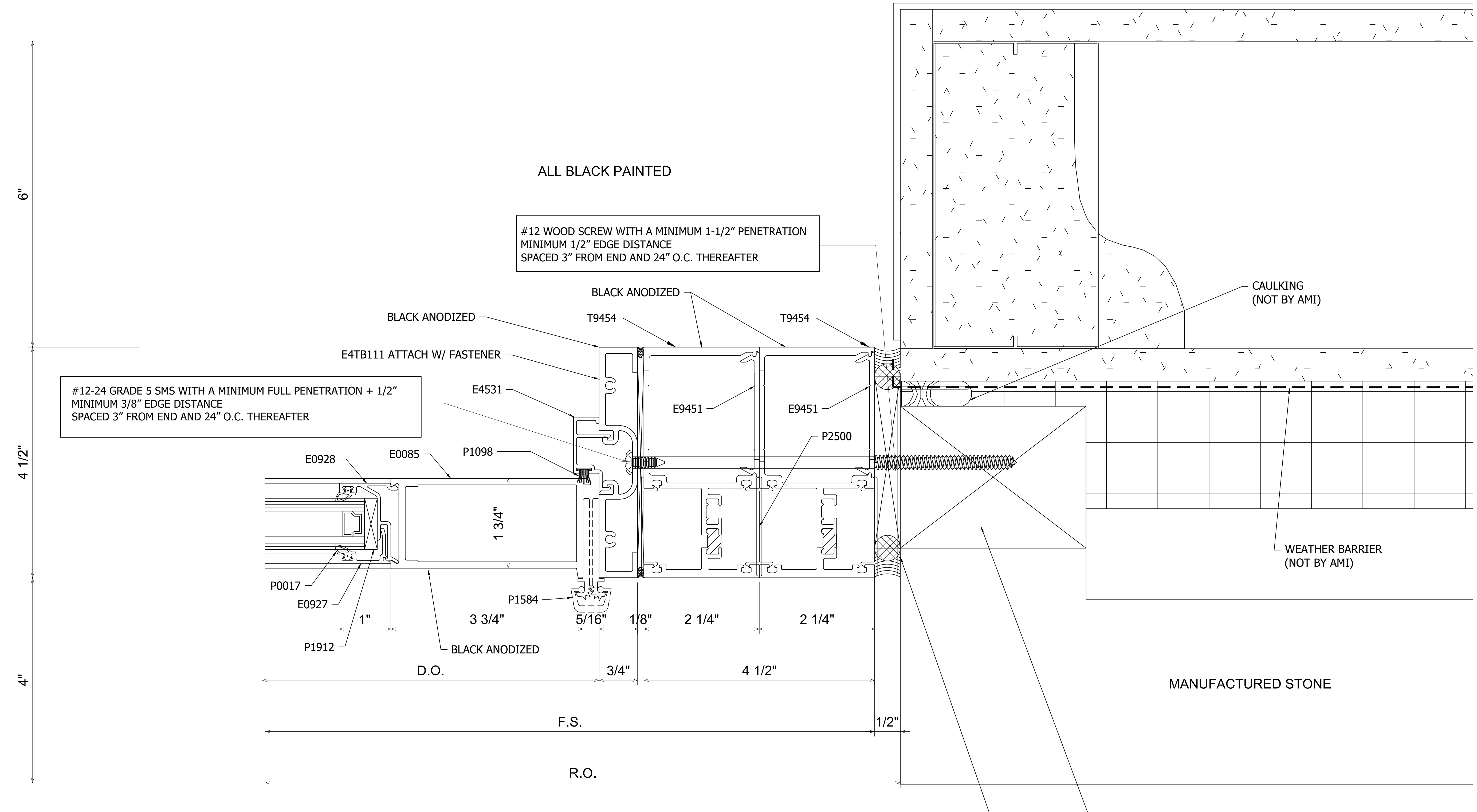


NO.	DATE	REVISION
4.1	03/22	THIRD SUBMITTAL (INTERIOR REVISIONS)
5.1	03/22	FOURTH SUBMITTAL (INTERIOR REVISIONS)
6.1	06/15/22	FIFTH SUBMITTAL (CURTAINWALL FIELD MEASUREMENTS)
6.2	06/20/22	SIXTH SUBMITTAL (CURTAINWALL FIELD MEASUREMENTS)
6.3	08/22/22	SEVENTH SUBMITTAL (CURTAINWALL FIELD MEASUREMENTS)
6.4	08/30/22	EIGHTH SUBMITTAL (INTERIOR STOREFRONT FIELD MEASUREMENTS)

BY: CCW

JOB NO. 4047

REV. NO.



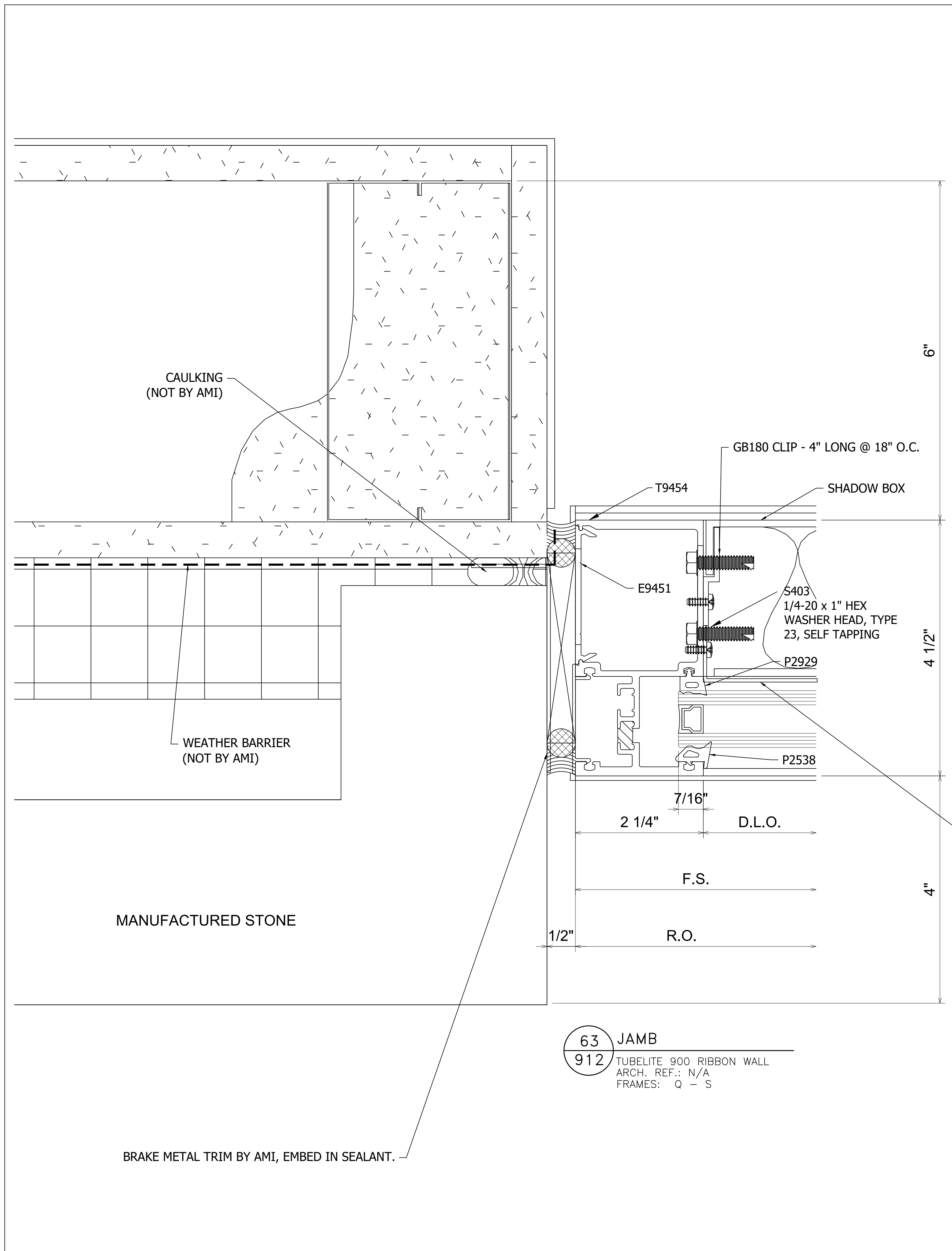
62 DOOR JAMB
911 TUBELITE 900 RIBBON WALL
ARCH. REF.: N/A
FRAMES: N

#12-24 GRADE 5 SMS WITH A MINIMUM FULL PENETRATION + 1/2"
MINIMUM 3/8" EDGE DISTANCE
SPACED 3" FROM END AND 24" O.C. THEREAFTER

#12 WOOD SCREW WITH A MINIMUM 1-1/2" PENETRATION
MINIMUM 1/2" EDGE DISTANCE
SPACED 3" FROM END AND 24" O.C. THEREAFTER

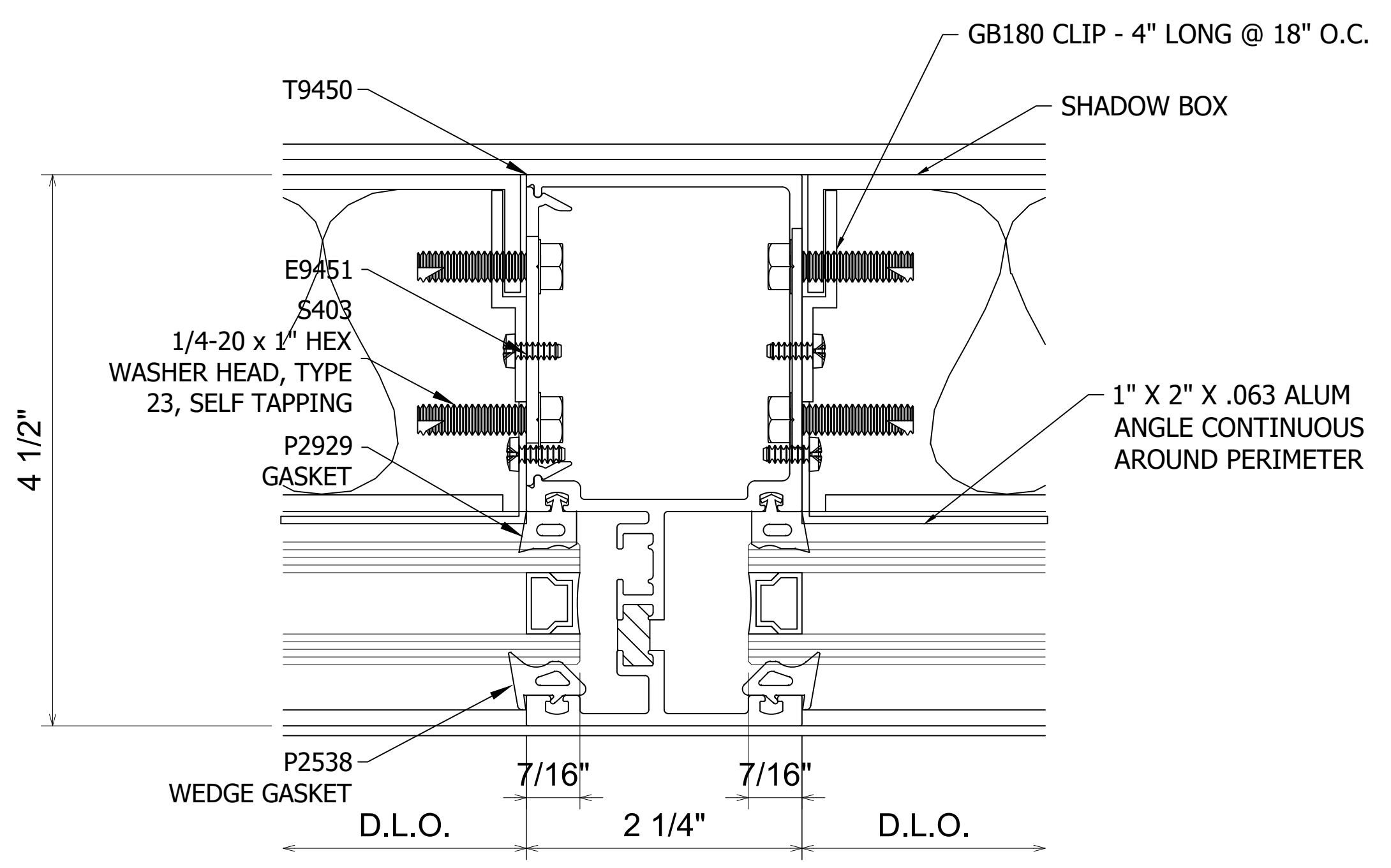
WOOD BLOCKING (NOT BY AMI)
ADDED FOR ANCHORING SUPPORT

BRAKE METAL TRIM BY AMI, EMBED IN SEALANT.



63 JAMB
912 TUBELITE 900 RIBBON WALL
 ARCH. REF.: N/A
 FRAMES: Q - S

64 VERTICAL
912 TUBELITE 900 RIBBON WALL
 ARCH. REF.: N/A
 FRAMES: Q - S



64 VERTICAL
912 TUBELITE 900 RIBBON WALL
 ARCH. REF.: N/A
 FRAMES: Q - S

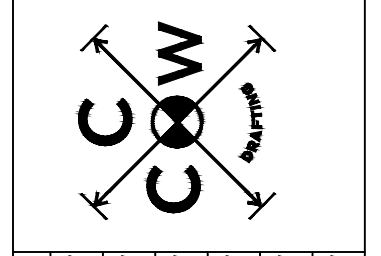
SHEET NO.:
912

SCALE:
 N.T.S.

SCOPE:
 ALUMINUM
 CURTAINWALL &
 STOREFRONT

PROJECT:
 NASHVILLE SC TRAINING FACILITY
 4251 CENTURY FARMS TERRACE
 NASHVILLE, TN 37013

ALEXANDER
AMETALS INC.
 ARCHITECTURAL PRODUCT SPECIALISTS
 407 COLUMBIAN AVENUE, NASHVILLE, TENNESSEE 37203
 PHONE: (615) 258-9070 FAX: (615) 258-9823
 www.AlexanderMetalsInc.com

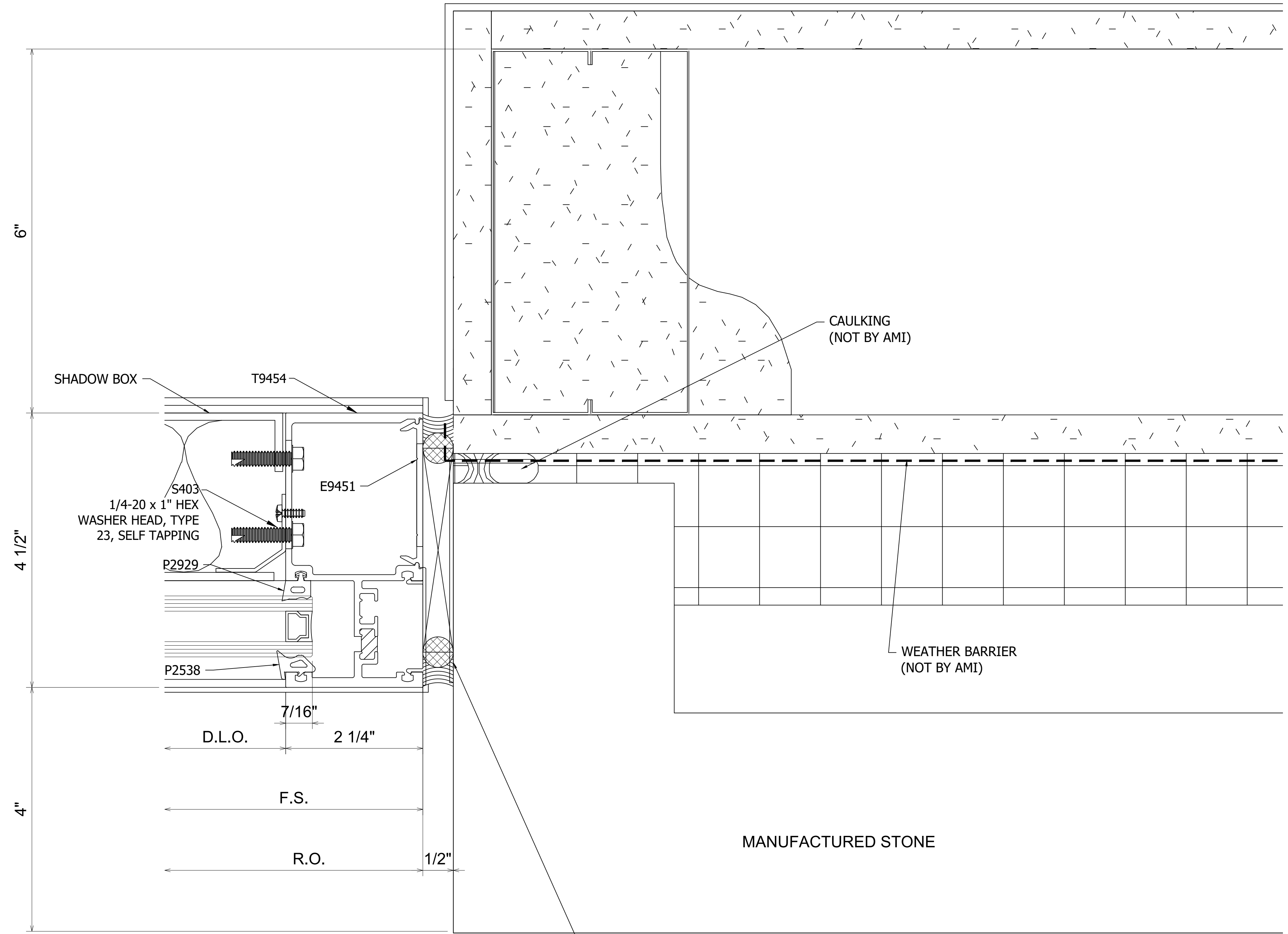


NO.	DATE	SUBMITTAL / REVISION
4.1	02.02.22	THIRD SUBMITTAL (INTERIOR REVISIONS)
5.1	03.31.22	FOURTH SUBMITTAL (INTERIOR REVISIONS)
6.1	06.15.22	FIFTH SUBMITTAL (CURTAINWALL FIELD MEASUREMENTS)
6.2	06.20.22	SIXTH SUBMITTAL (CURTAINWALL FIELD MEASUREMENTS)
6.3	08.22.22	SEVENTH SUBMITTAL (CURTAINWALL FIELD MEASUREMENTS)
6.4	08.30.22	EIGHTH SUBMITTAL (INTERIOR STOREFRONT FIELD MEASUREMENTS)

JOB NO. 4047

REV. NO.

SHEET NO.:
912



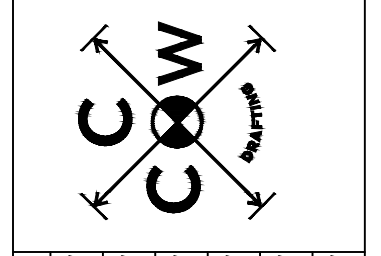
65 JAMB
 913 TUBELITE 900 RIBBON WALL
 ARCH. REF.: N/A
 FRAMES: Q - S

SHEET NO.:
913
 SCALE:
 N.T.S.

SCOPE:
 ALUMINUM
 CURTAINWALL
 STOREFRONT

PROJECT:
 NASHVILLE SC TRAINING FACILITY
 4251 CENTURY FARMS TERRACE
 NASHVILLE, TN 37013

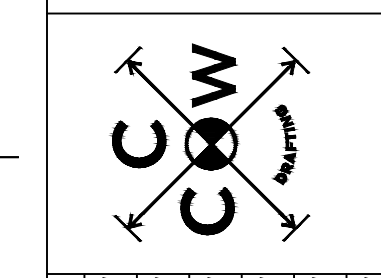
**ALEXANDER
 METALS INC.**
 ARCHITECTURAL PRODUCT SPECIALISTS
 10705 CEDAR HOLLOW LANE, NASHVILLE, TN 37203
 PHONE: (615) 258-9070 FAX: (615) 258-9823
 www.AlexanderMetalsInc.com



NO.	DATE	REVISION	BY
4.1	02.22	THIRD SUBMITTAL (INTERIOR REVISIONS)	CCW
5.1	03.22	FOURTH SUBMITTAL (INTERIOR REVISIONS)	CCW
6.1	06.15.22	FIFTH SUBMITTAL (CURTAINWALL FIELD MEASUREMENTS)	CCW
6.2	06.20.22	SIXTH SUBMITTAL (CURTAINWALL FIELD MEASUREMENTS)	CCW
6.3	06.22.22	SEVENTH SUBMITTAL (CURTAINWALL FIELD MEASUREMENTS)	CCW
6.4	08.30.22	EIGHTH SUBMITTAL (INTERIOR STOREFRONT FIELD MEASUREMENTS)	CCW

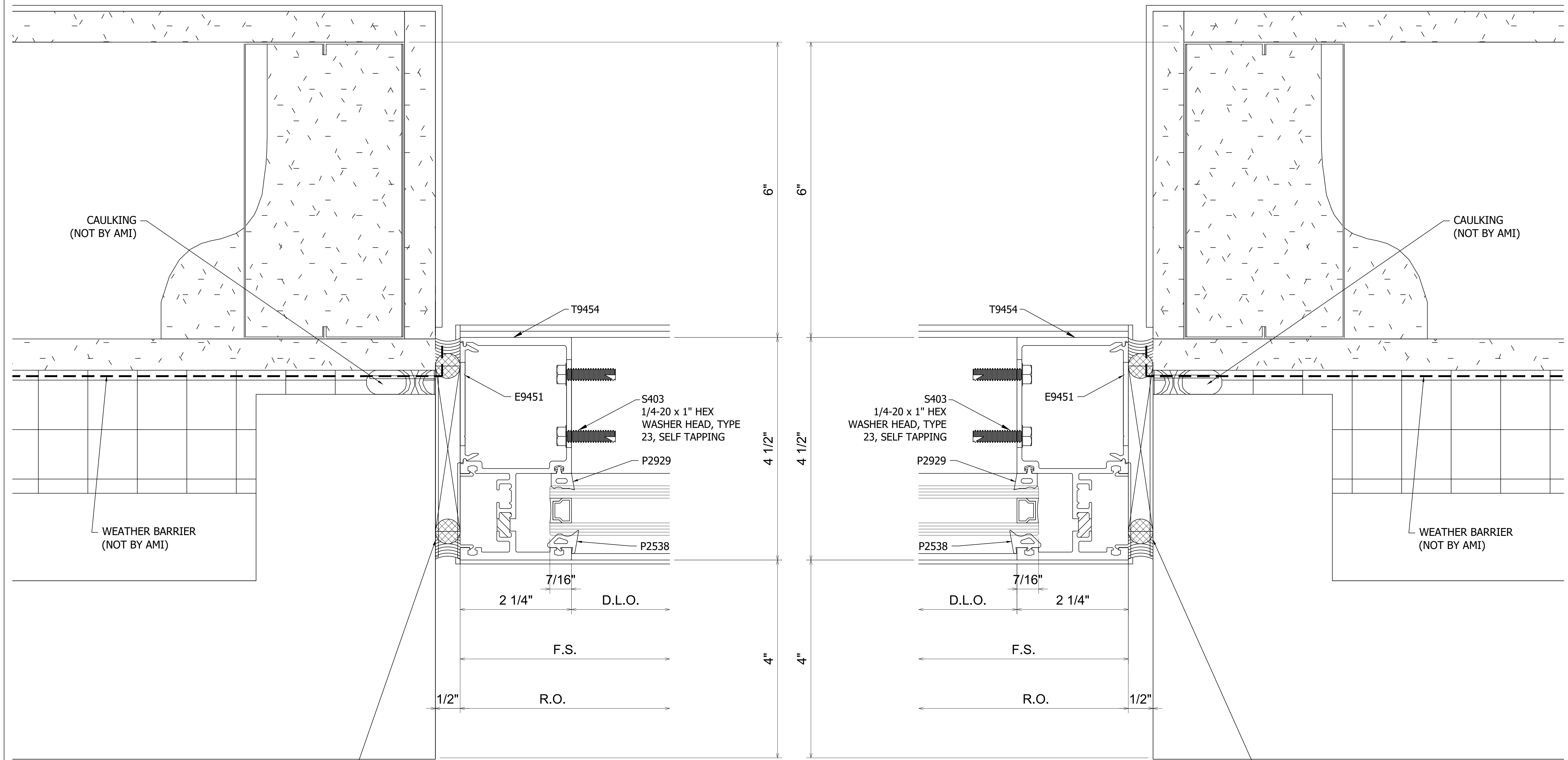
JOB NO. 4047
 REV. NO.

SHEET NO.:
913



NO.	DATE	REVISION
4.1	02.02.22	THIRD SUBMITTAL (INTERIOR REVISIONS)
5.1	03.31.22	FOURTH SUBMITTAL (INTERIOR REVISIONS)
6.1	06.15.22	FIFTH SUBMITTAL (CURTAINWALL FIELD MEASUREMENTS)
6.2	06.20.22	SIXTH SUBMITTAL (CURTAINWALL FIELD MEASUREMENTS)
6.3	08.22.22	SEVENTH SUBMITTAL (CURTAINWALL FIELD MEASUREMENTS)
6.4	08.30.22	EIGHTH SUBMITTAL (INTERIOR STOREFRONT FIELD MEASUREMENTS)

BY	CCW
REV. NO.	4047



66 JAMB
914 TUBELITE 900 RIBBON WALL
ARCH. REF.: N/A
FRAMES: R

67 JAMB
914 TUBELITE 900 RIBBON WALL
ARCH. REF.: N/A
FRAMES: R

BRAKE METAL TRIM BY AMI, EMBED IN SEALANT.

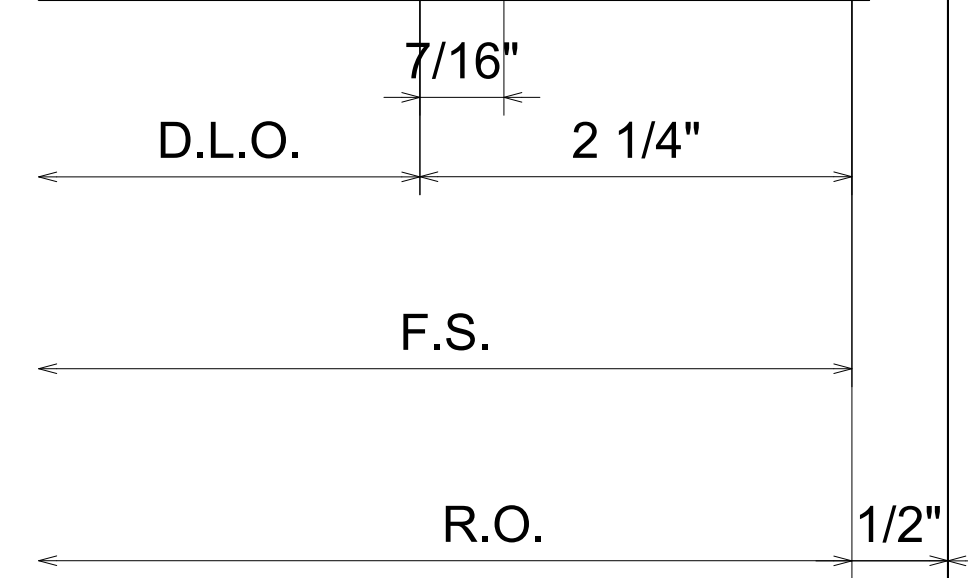
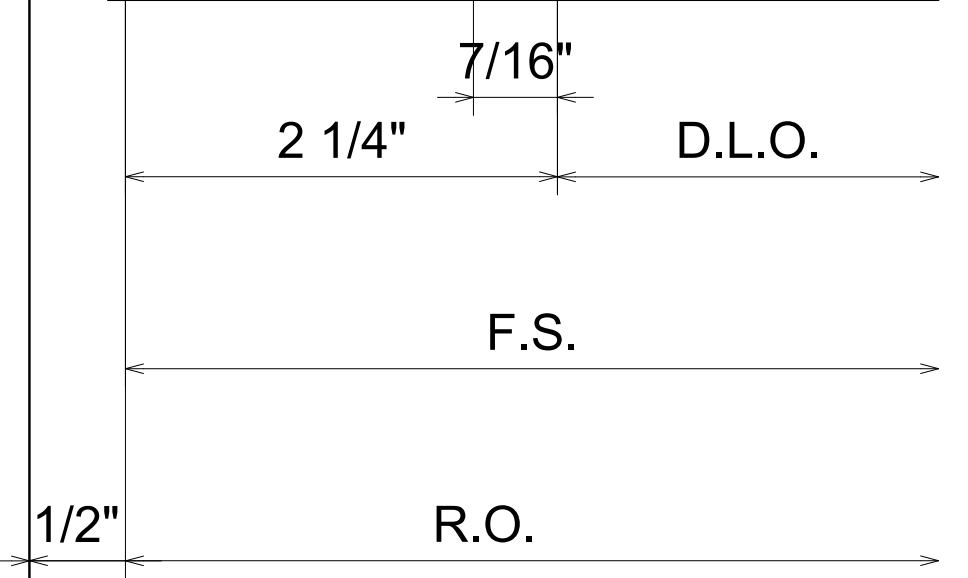
BRAKE METAL TRIM BY AMI, EMBED IN SEALANT.

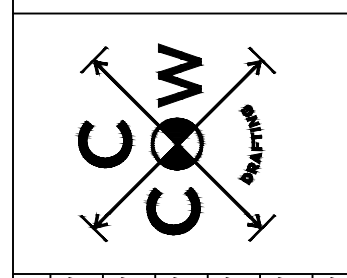
CAULKING
(NOT BY AMI)

CAULKING
(NOT BY AMI)

WEATHER BARRIER
(NOT BY AMI)

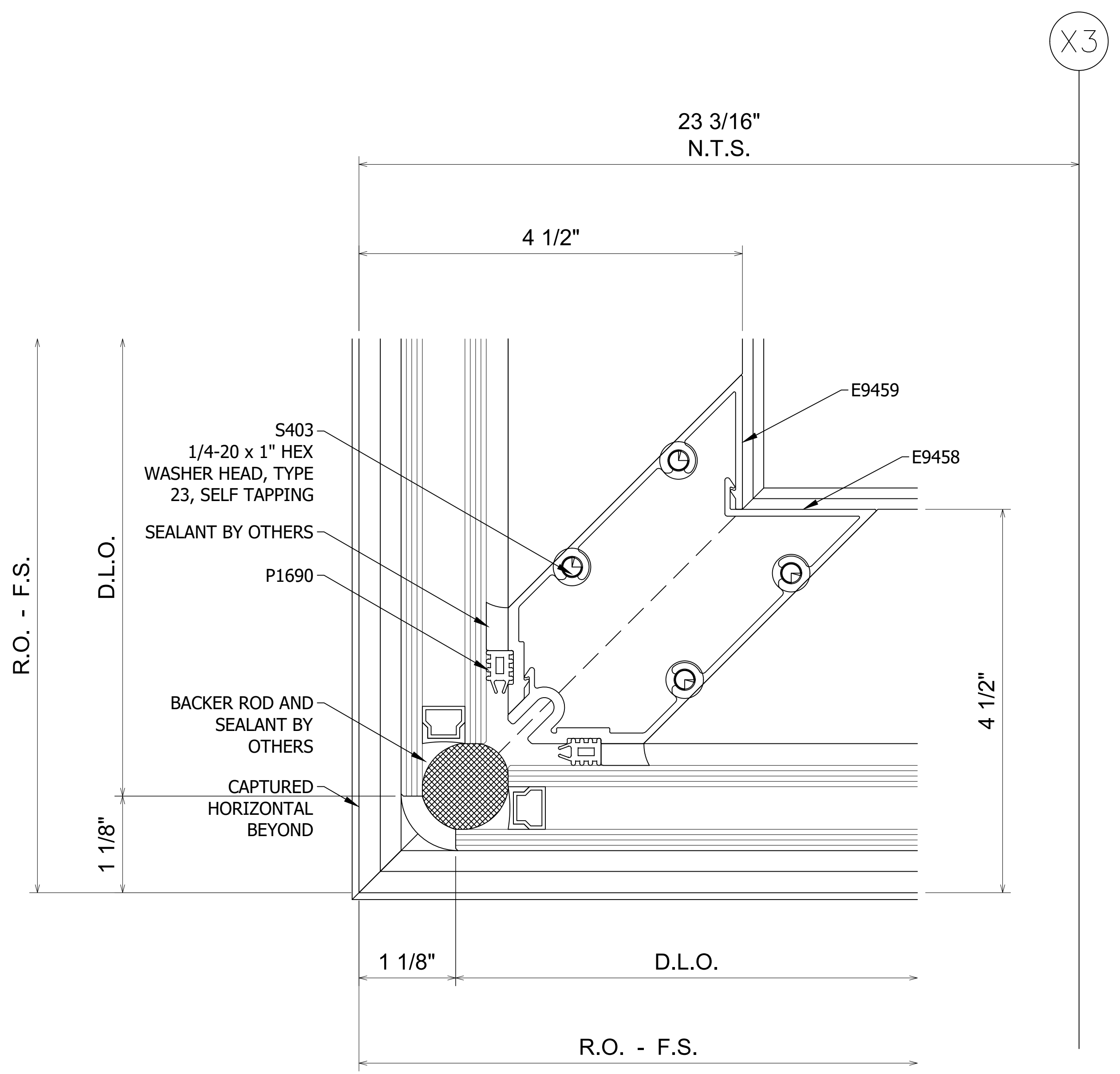
WEATHER BARRIER
(NOT BY AMI)



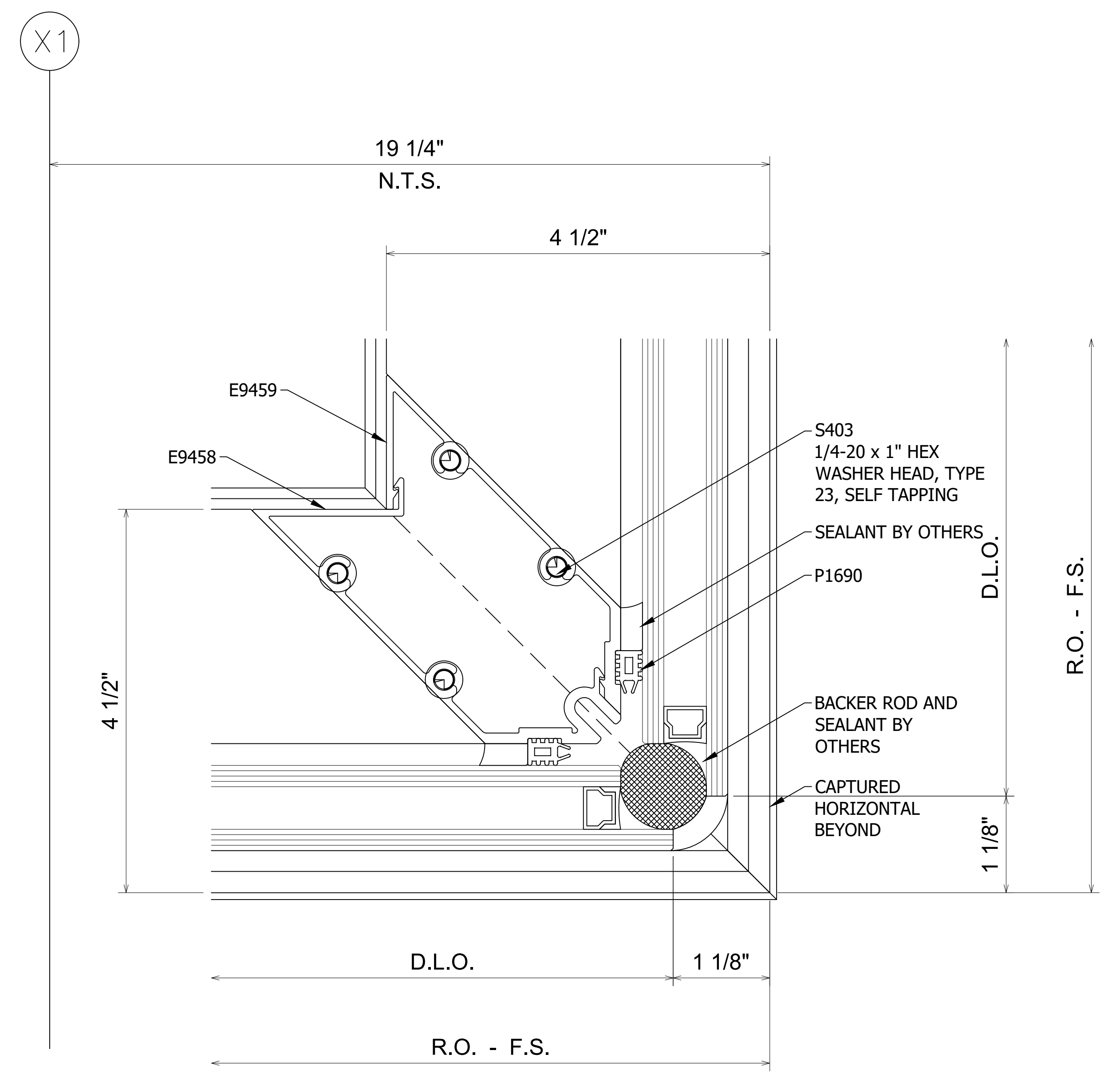


NO.	DATE	SUBMITTAL / REVISION	BY
4.1	03.02.22	THIRD SUBMITTAL (INTERIOR REVISIONS)	CCW
5.1	03.31.22	FOURTH SUBMITTAL (INTERIOR REVISIONS)	CCW
6.1	06.15.22	FIFTH SUBMITTAL (CURTAINWALL FIELD MEASUREMENTS)	CCW
6.2	06.20.22	SIXTH SUBMITTAL (CURTAINWALL FIELD MEASUREMENTS)	CCW
6.3	06.22.22	SEVENTH SUBMITTAL (CURTAINWALL FIELD MEASUREMENTS)	CCW
6.4	08.30.22	EIGHTH SUBMITTAL (INTERIOR STOREFRONT FIELD MEASUREMENTS)	CCW

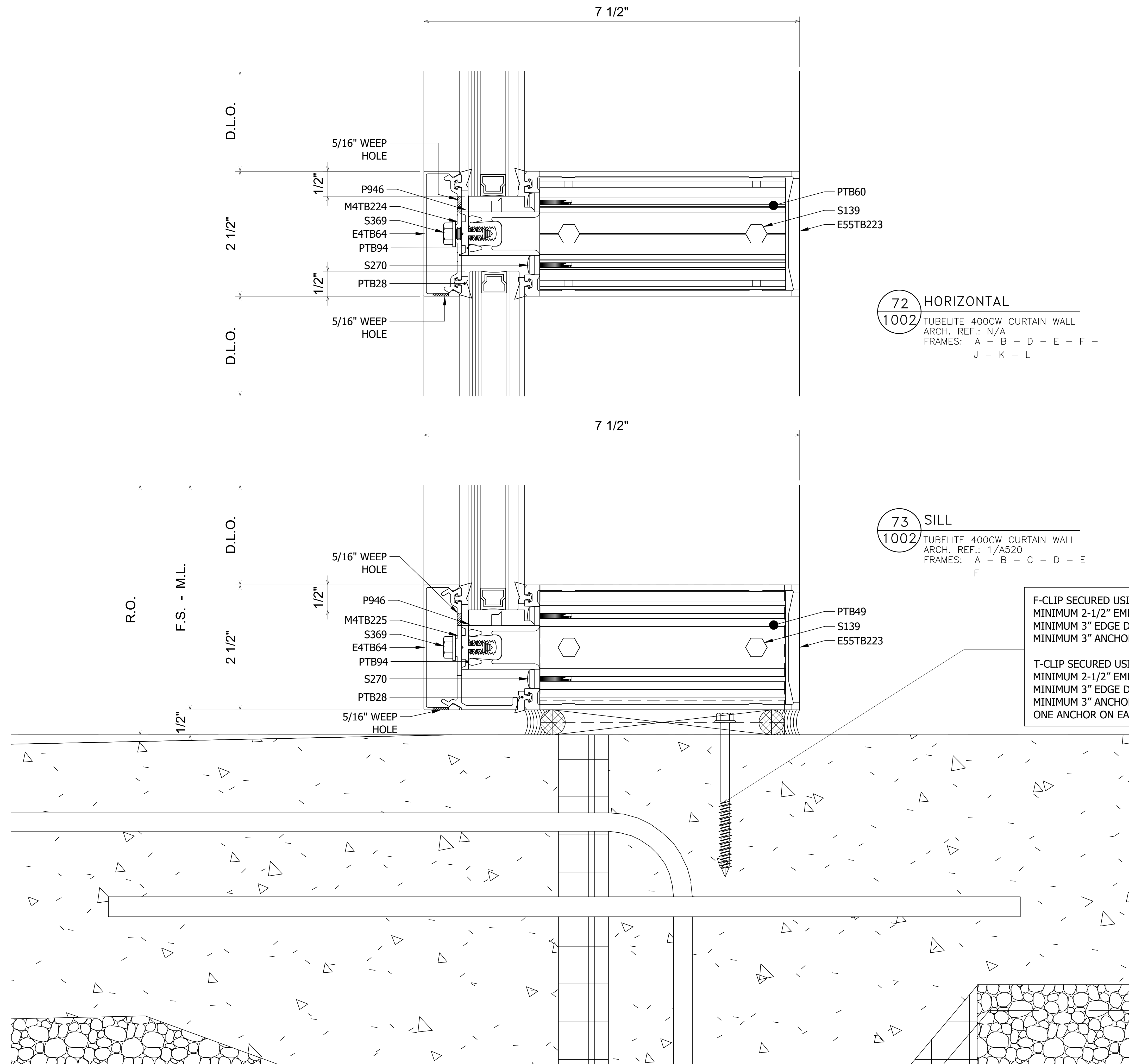
JOB NO.	4047
REV. NO.	



68 CORNER
915 TUBELITE 900 RIBBON WALL
ARCH. REF.: N/A
FRAMES: T



69 CORNER
915 TUBELITE 900 RIBBON WALL
ARCH. REF.: N/A
FRAMES: U



72 HORIZONTAL
1002 TUBELITE 400CW CURTAIN WALL
 ARCH. REF.: N/A
 FRAMES: A - B - D - E - F - I
 J - K - L

73 SILL
1002 TUBELITE 400CW CURTAIN WALL
 ARCH. REF.: 1/A520
 FRAMES: A - B - C - D - E
 F

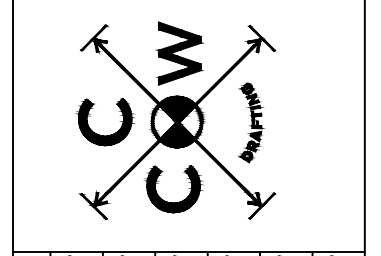
F-CLIP SECURED USING TWO 3/8" HILTI KWIK HUS EZ ANCHORS
 MINIMUM 2-1/2" EMBEDMENT
 MINIMUM 3" EDGE DISTANCE
 MINIMUM 3" ANCHOR SPACING

T-CLIP SECURED USING TWO 3/8" HILTI KWIK HUS EZ ANCHORS
 MINIMUM 2-1/2" EMBEDMENT
 MINIMUM 3" EDGE DISTANCE
 MINIMUM 3" ANCHOR SPACING
 ONE ANCHOR ON EACH SIDE OF MULLION

SCOPE:
 ALUMINUM
 CURTAINWALL &
 STOREFRONT

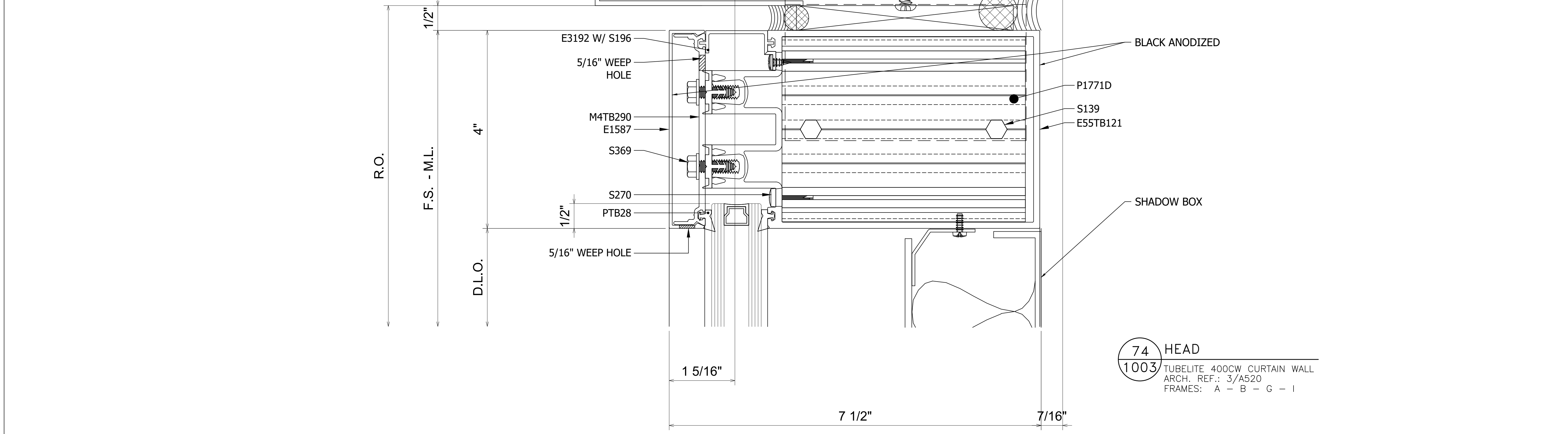
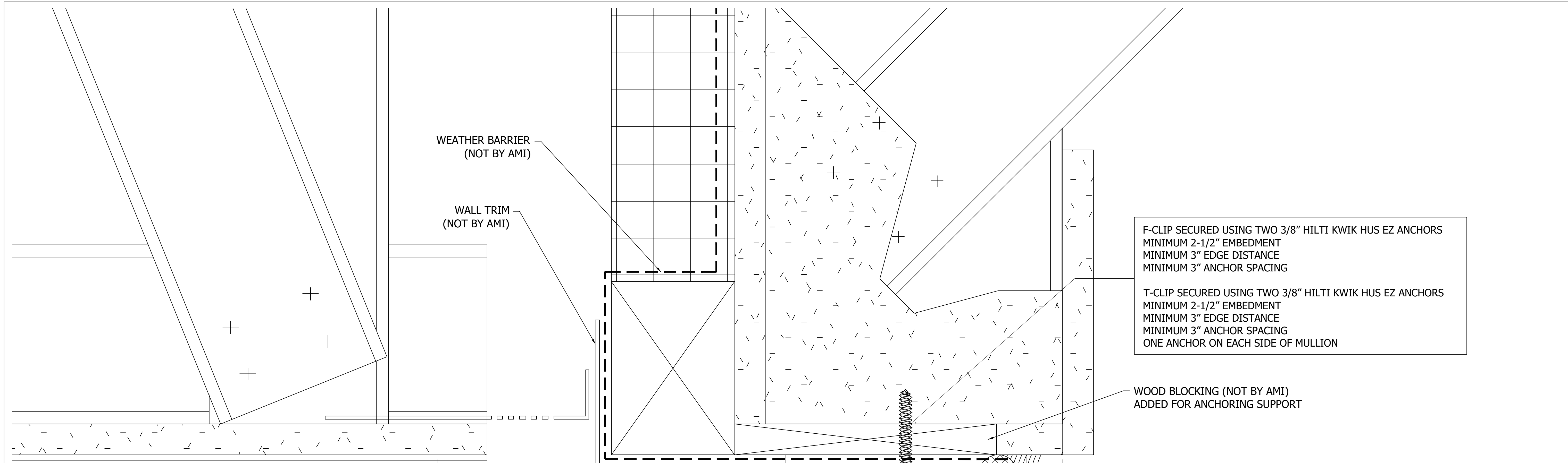
PROJECT:
 NASHVILLE SC TRAINING FACILITY
 4251 CENTURY FARMS TERRACE
 NASHVILLE, TN 37013

ALEXANDER METALS INC.
 ARCHITECTURAL PRODUCT SPECIALISTS
 10705 GLENNDALE AVENUE, SUITE 2700
 NASHVILLE, TENNESSEE 37210
 PHONE: (615) 256-8070 FAX: (615) 256-8623
 www.AlexanderMetalsInc.com



NO.	DATE	REVISION
4.1	02.02.22	THIRD SUBMITTAL (INTERIOR REVISIONS)
5.1	03.31.22	FOURTH SUBMITTAL (INTERIOR REVISIONS)
6.1	06.15.22	FIFTH SUBMITTAL (CURTAINWALL FIELD MEASUREMENTS)
6.2	06.20.22	SIXTH SUBMITTAL (CURTAINWALL FIELD MEASUREMENTS)
6.3	08.22.22	SEVENTH SUBMITTAL (CURTAINWALL FIELD MEASUREMENTS)
6.4	08.30.22	EIGHTH SUBMITTAL (INTERIOR STOREFRONT FIELD MEASUREMENTS)

BY	CCW
REV. NO.	4047



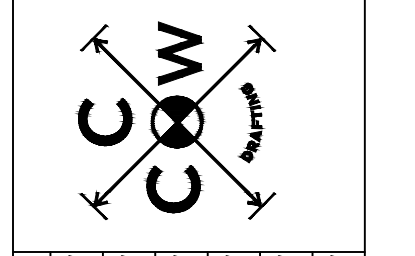
74 HEAD
 1003 TUBELITE 400CW CURTAIN WALL
 ARCH. REF.: 3/A520
 FRAMES: A - B - G - I

SHEET NO.:
1003
 SCALE:
 N.T.S.

SCOPE:
 ALUMINUM
 CURTAINWALL &
 STOREFRONT

PROJECT:
 NASHVILLE SC TRAINING FACILITY
 4251 CENTURY FARMS TERRACE
 NASHVILLE, TN 37013

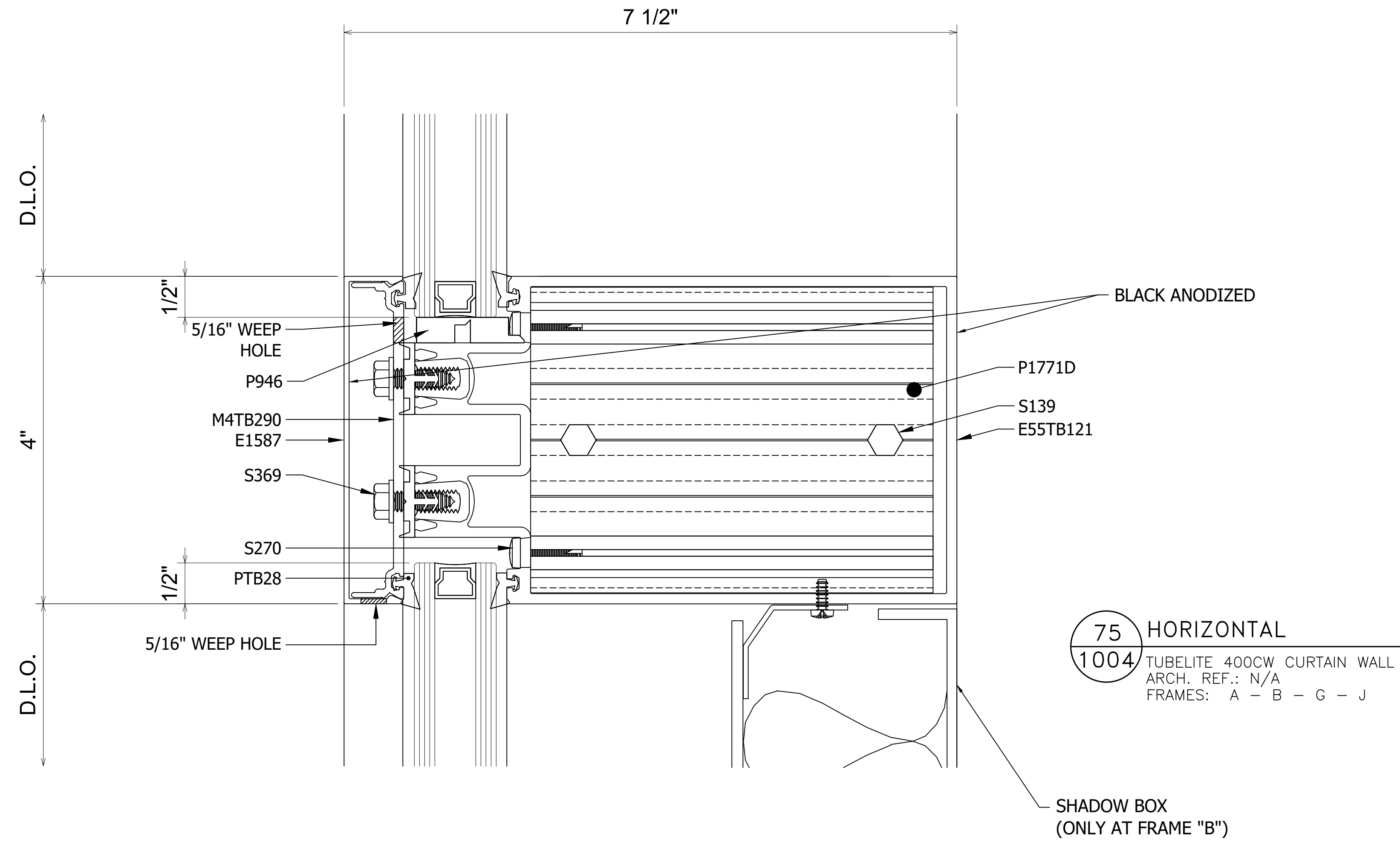
**ALEXANDER
 METALS INC.**
 ARCHITECTURAL PRODUCT SPECIALISTS
 107 ONE EIGHTY NASHVILLE TENNESSEE 37203
 PHONE: (615) 256-8070 FAX: (615) 256-8263
 www.AlexanderMetalsInc.com



NO.	DATE	REVISION
4.1	01.02.22	THIRD SUBMITTAL (INTERIOR REVISIONS)
5.1	03.31.22	FOURTH SUBMITTAL (INTERIOR REVISIONS)
6.1	06.15.22	FIFTH SUBMITTAL (CURTAINWALL FIELD MEASUREMENTS)
6.2	06.20.22	SIXTH SUBMITTAL (CURTAINWALL FIELD MEASUREMENTS)
6.3	06.22.22	SEVENTH SUBMITTAL (CURTAINWALL FIELD MEASUREMENTS)
6.4	08.30.22	EIGHTH SUBMITTAL (INTERIOR STOREFRONT FIELD MEASUREMENTS)

BY: CCW
 JOB NO.: 4047
 REV. NO.:

SHEET NO.:
1003

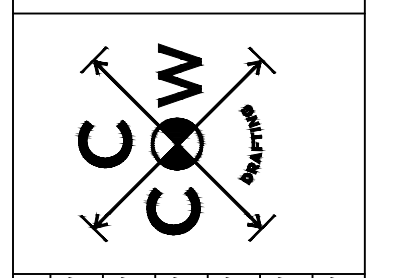


SHEET NO.:
1004

SCALE:
N.T.S.

SCOPE:
ALUMINUM
CURTAINWALL &
STOREFRONT

PROJECT:
NASHVILLE SC TRAINING FACILITY
4251 CENTURY FARMS TERRACE
NASHVILLE, TN 37013



NO.	DATE	REVISION	BY
4.1	01.02.22	THIRD SUBMITTAL (INTERIOR REVISIONS)	CCW
5.1	03.31.22	FOURTH SUBMITTAL (INTERIOR REVISIONS)	CCW
6.1	06.15.22	FIFTH SUBMITTAL (CURTAINWALL FIELD MEASUREMENTS)	CCW
6.2	06.20.22	SIXTH SUBMITTAL (CURTAINWALL FIELD MEASUREMENTS)	CCW
6.3	06.22.22	SEVENTH SUBMITTAL (CURTAINWALL FIELD MEASUREMENTS)	CCW
6.4	08.30.22	EIGHTH SUBMITTAL (INTERIOR STOREFRONT FIELD MEASUREMENTS)	CCW

JOB NO. 4047

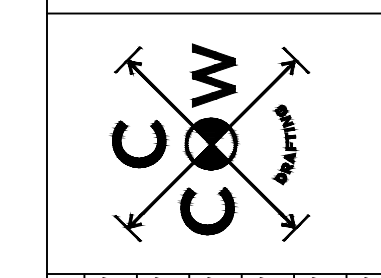
REV. NO.

SHEET NO.:
1004

SCOPE:
ALUMINUM
CURTAINWALL &
STOREFRONT

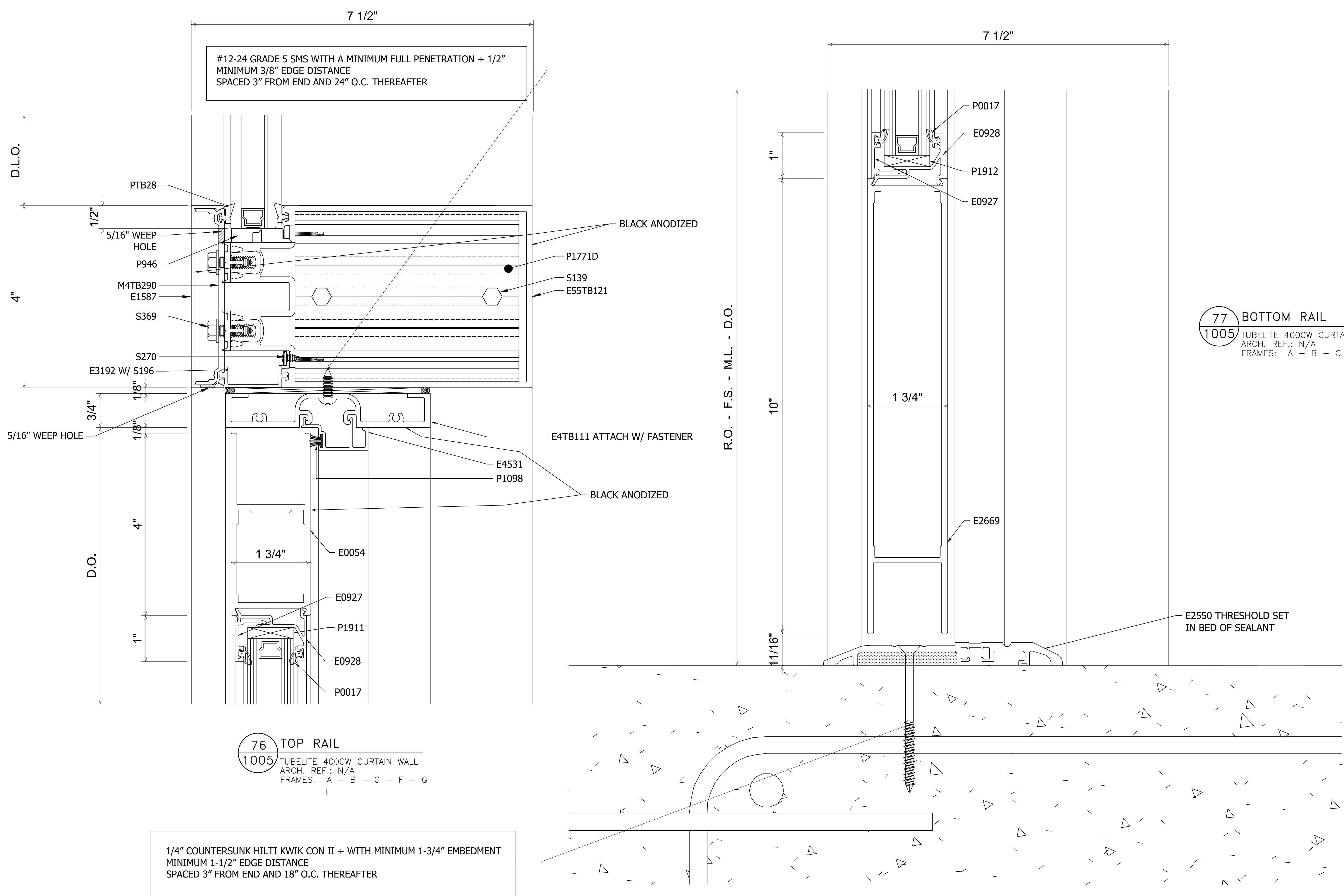
PROJECT:
NASHVILLE SC TRAINING FACILITY
4251 CENTURY FARMS TERRACE
NASHVILLE, TN 37013

**ALEXANDER
METALS INC.**
ARCHITECTURAL PRODUCT SPECIALISTS
107 ONE EIGHTY NASHVILLE TENNESSEE 37203
PHONE: (615) 258-9070 FAX: (615) 258-9023
www.AlexanderMetalsInc.com



NO.	DATE	SUBMITTAL / REVISION	BY
4.1	02.22	THIRD SUBMITTAL (INTERIOR REVISIONS)	CCW
5.1	03.31.22	FOURTH SUBMITTAL (INTERIOR REVISIONS)	CCW
6.1	06.15.22	FIFTH SUBMITTAL (CURTAINWALL FIELD MEASUREMENTS)	CCW
6.2	06.20.22	SIXTH SUBMITTAL (CURTAINWALL FIELD MEASUREMENTS)	CCW
6.3	08.22.22	SEVENTH SUBMITTAL (CURTAINWALL FIELD MEASUREMENTS)	CCW
6.4	08.30.22	EIGHTH SUBMITTAL (INTERIOR STOREFRONT FIELD MEASUREMENTS)	CCW

JOB NO. 4047
REV. NO.

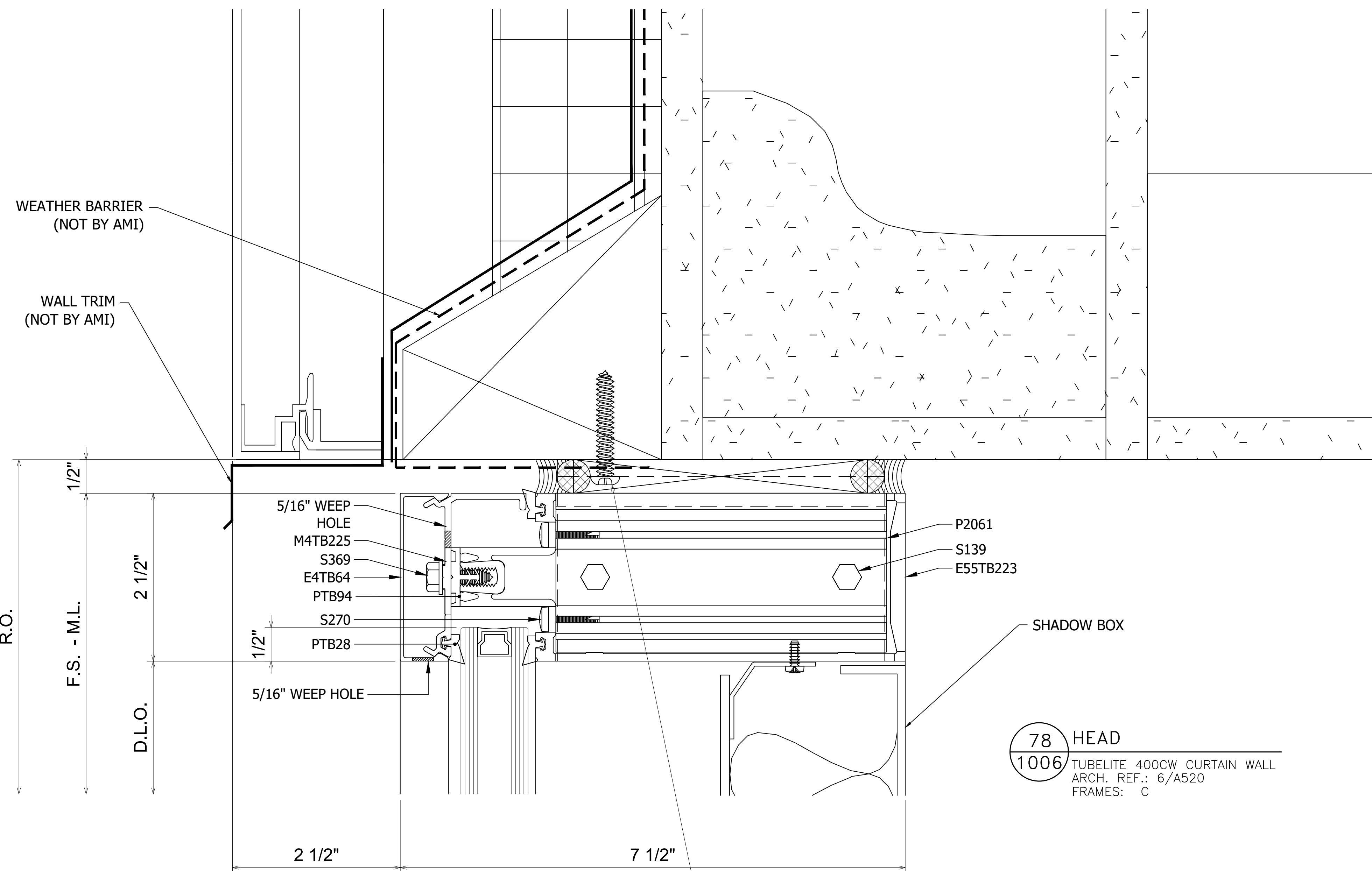


#12-24 GRADE 5 SMS WITH A MINIMUM FULL PENETRATION + 1/2"
MINIMUM 3/8" EDGE DISTANCE
SPACED 3" FROM END AND 24" O.C. THEREAFTER

76 TOP RAIL
1005 TUBELITE 400CW CURTAIN WALL
ARCH. REF.: N/A
FRAMES: A - B - C - F - G

1/4" COUNTERSUNK HILTI KWIK CON II + WITH MINIMUM 1-3/4" EMBEDMENT
MINIMUM 1-1/2" EDGE DISTANCE
SPACED 3" FROM END AND 18" O.C. THEREAFTER

77 BOTTOM RAIL
1005 TUBELITE 400CW CURTAIN WALL
ARCH. REF.: N/A
FRAMES: A - B - C - F - G



F-CLIP SECURED USING TWO #12 WOOD SCREWS
MINIMUM 3" PENETRATION
MINIMUM 3/4" EDGE DISTANCE
MINIMUM 1" ANCHOR SPACING

T-CLIP SECURED USING FOUR #12 WOOD SCREWS
MINIMUM 3" PENETRATION
MINIMUM 3/4" EDGE DISTANCE
MINIMUM 1" ANCHOR SPACING
TWO ANCHORS ON EACH SIDE OF MULLION

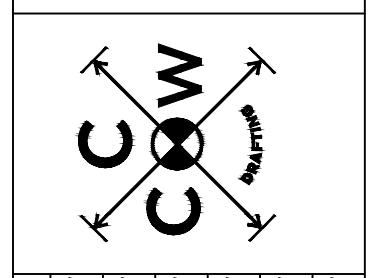
SHEET NO.:
1006

SCALE:
N.T.S.

SCOPE:
ALUMINUM
CURTAINWALL &
STOREFRONT

PROJECT:
NASHVILLE SC TRAINING FACILITY
4251 CENTURY FARMS TERRACE
NASHVILLE, TN 37013

**ALEXANDER
METALS INC.**
ARCHITECTURAL PRODUCT SPECIALISTS
107 CLAYTON ROAD, NASHVILLE, TENNESSEE 37203
PHONE: (615) 258-9070 FAX: (615) 258-9823
www.AlexanderMetalsInc.com

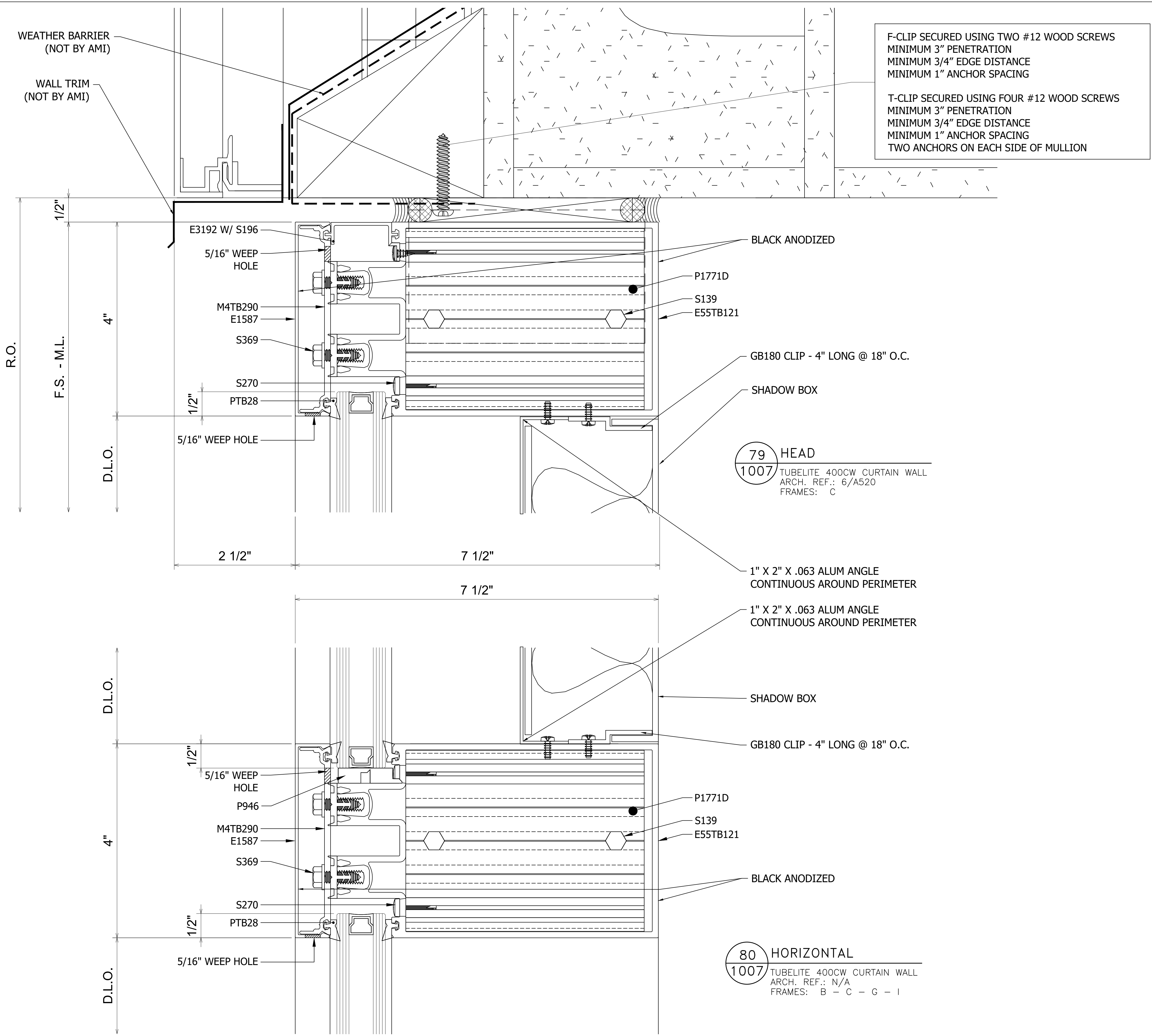


NO.	DATE	SUBMITTAL / REVISION	BY
4.1	02/22	THIRD SUBMITTAL (INTERIOR REVISIONS)	CCW
5.1	03/31	FOURTH SUBMITTAL (INTERIOR REVISIONS)	CCW
6.1	06/15/22	FIFTH SUBMITTAL (CURTAINWALL FIELD MEASUREMENTS)	CCW
6.2	06/20/22	SIXTH SUBMITTAL (CURTAINWALL FIELD MEASUREMENTS)	CCW
6.3	06/22/22	SEVENTH SUBMITTAL (CURTAINWALL FIELD MEASUREMENTS)	CCW
6.4	08/30/22	EIGHTH SUBMITTAL (INTERIOR STOREFRONT FIELD MEASUREMENTS)	CCW

JOB NO. 4047

REV. NO.

SHEET NO.:
1006



F-CLIP SECURED USING TWO #12 WOOD SCREWS
 MINIMUM 3" PENETRATION
 MINIMUM 3/4" EDGE DISTANCE
 MINIMUM 1" ANCHOR SPACING

T-CLIP SECURED USING FOUR #12 WOOD SCREWS
 MINIMUM 3" PENETRATION
 MINIMUM 3/4" EDGE DISTANCE
 MINIMUM 1" ANCHOR SPACING
 TWO ANCHORS ON EACH SIDE OF MULLION

79 HEAD
 1007 TUBELITE 400CW CURTAIN WALL
 ARCH. REF.: 6/A520
 FRAMES: C

80 HORIZONTAL
 1007 TUBELITE 400CW CURTAIN WALL
 ARCH. REF.: N/A
 FRAMES: B - C - G - I

SHEET NO.: **1007**
 SCALE: N.T.S.

SCOPE: ALUMINUM CURTAINWALL & STOREFRONT

PROJECT: NASHVILLE SC TRAINING FACILITY
 4251 CENTURY FARMS TERRACE
 NASHVILLE, TN 37013

ALEXANDER METALS INC.
 ARCHITECTURAL PRODUCT SPECIALISTS
 10701 GLENN AVENUE, NASHVILLE, TENNESSEE 37203
 PHONE: (615) 258-9070 FAX: (615) 258-9023
 www.AlexanderMetalsInc.com

CCW

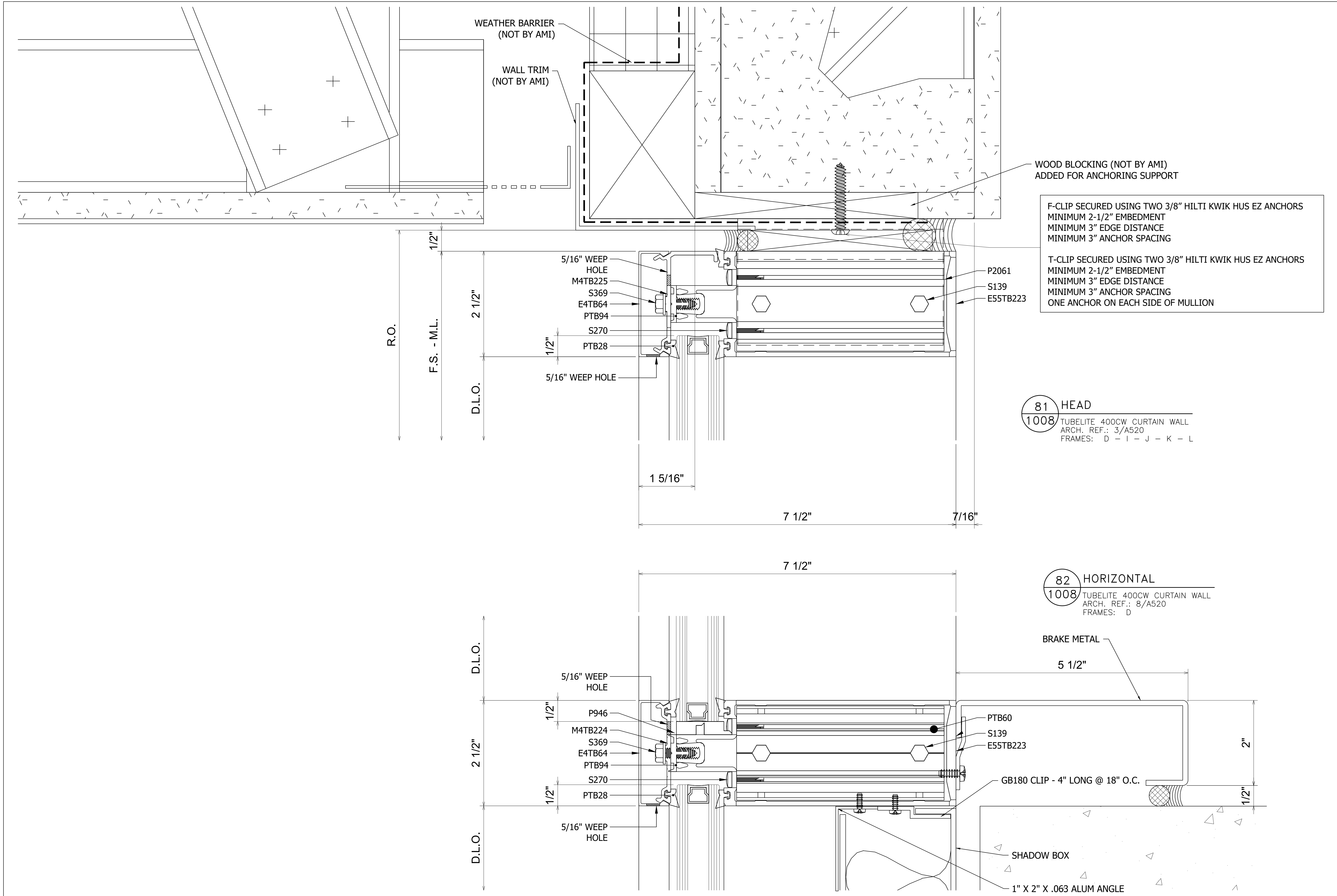
NO.	DATE	REVISION
4.1	02.22	THIRD SUBMITTAL (INTERIOR REVISIONS)
5.1	03.22	FOURTH SUBMITTAL (INTERIOR REVISIONS)
6.1	06.15.22	FIFTH SUBMITTAL (CURTAINWALL FIELD MEASUREMENTS)
6.2	06.20.22	SIXTH SUBMITTAL (CURTAINWALL FIELD MEASUREMENTS)
6.3	06.22.22	SEVENTH SUBMITTAL (CURTAINWALL FIELD MEASUREMENTS)
6.4	08.30.22	EIGHTH SUBMITTAL (INTERIOR STOREFRONT FIELD MEASUREMENTS)

BY: CCW

JOB NO. 4047

REV. NO.

SHEET NO.: **1007**



81 HEAD
 1008 TUBELITE 400CW CURTAIN WALL
 ARCH. REF.: 3/A520
 FRAMES: D - I - J - K - L

82 HORIZONTAL
 1008 TUBELITE 400CW CURTAIN WALL
 ARCH. REF.: 8/A520
 FRAMES: D

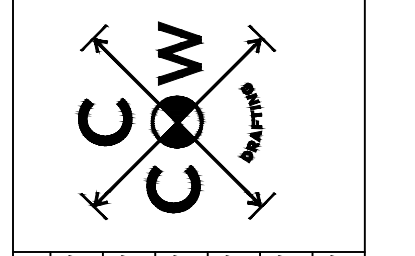
SHEET NO.:
1008

SCALE:
 N.T.S.

SCOPE:
 ALUMINUM
 CURTAINWALL &
 STOREFRONT

PROJECT:
 NASHVILLE SC TRAINING FACILITY
 4251 CENTURY FARMS TERRACE
 NASHVILLE, TN 37013

ALEXANDER METALS INC.
 ARCHITECTURAL PRODUCT SPECIALISTS
 10705 WOODBURN AVENUE, NASHVILLE, TN 37203
 PHONE: (615) 258-9070 FAX: (615) 258-9023
 www.AlexanderMetalsInc.com



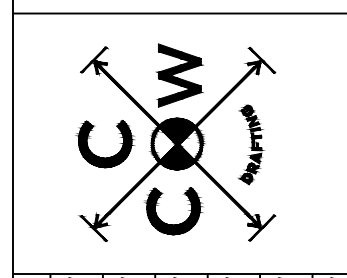
NO.	DATE	REVISION
4.1	02.02.22	THIRD SUBMITTAL (INTERIOR REVISIONS)
5.1	03.31.22	FOURTH SUBMITTAL (INTERIOR REVISIONS)
6.1	06.15.22	FIFTH SUBMITTAL (CURTAINWALL FIELD MEASUREMENTS)
6.2	06.20.22	SIXTH SUBMITTAL (CURTAINWALL FIELD MEASUREMENTS)
6.3	06.22.22	SEVENTH SUBMITTAL (CURTAINWALL FIELD MEASUREMENTS)
6.4	08.30.22	EIGHTH SUBMITTAL (INTERIOR STOREFRONT FIELD MEASUREMENTS)

SHEET NO.:
1008

SCOPE:
ALUMINUM
CURTAINWALL &
STOREFRONT

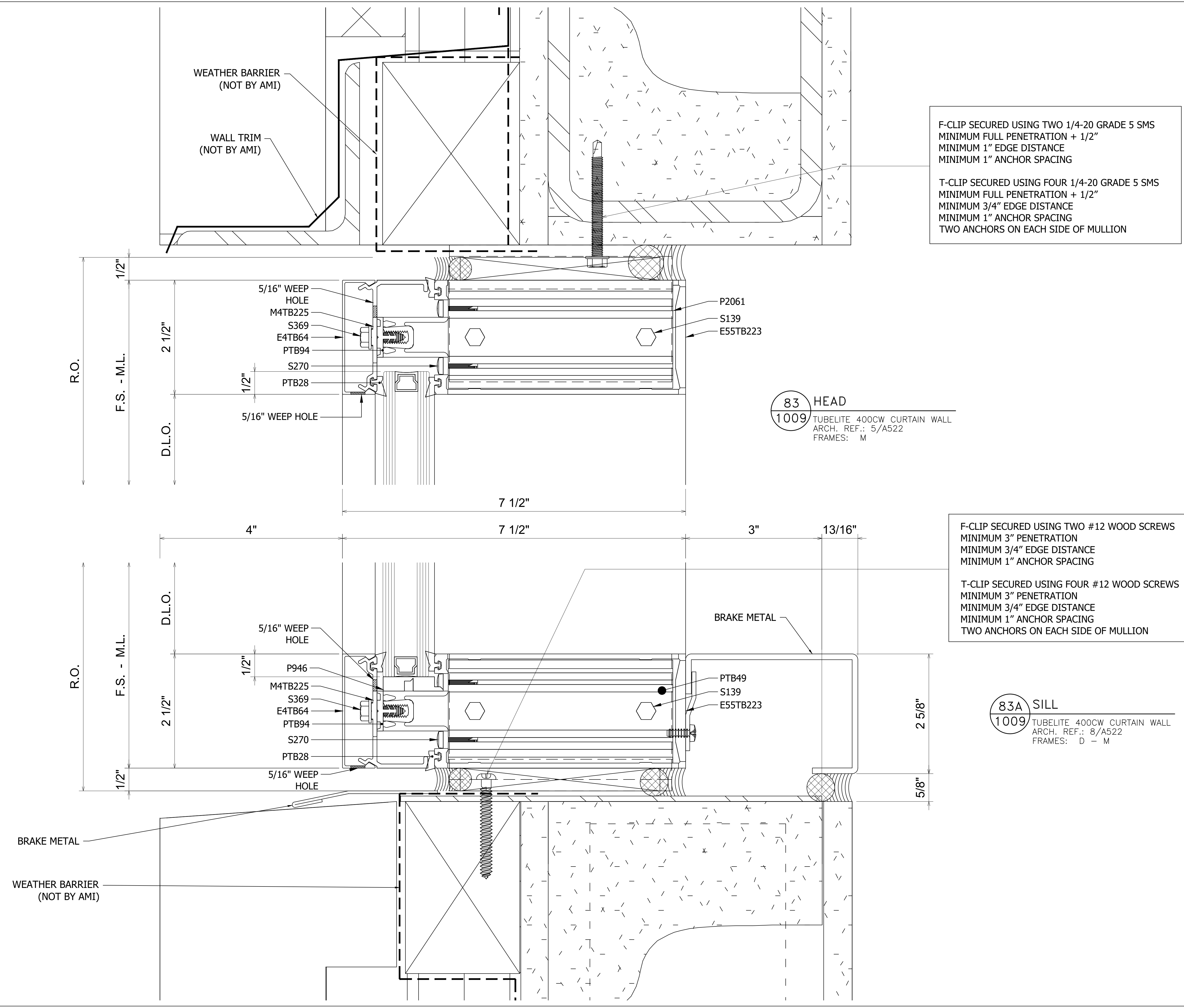
PROJECT:
NASHVILLE SC TRAINING FACILITY
4251 CENTURY FARMS TERRACE
NASHVILLE, TN 37013

**ALEXANDER
METALS INC.**
ARCHITECTURAL PRODUCT SPECIALISTS
10705 GLENNDALE TOWN CENTER DRIVE
NASHVILLE, TENNESSEE 37203
PHONE: (615) 258-9070 FAX: (615) 258-9023
www.AlexanderMetalsInc.com



NO.	DATE	REVISION
4.1	02.22	THIRD SUBMITTAL (INTERIOR REVISIONS)
5.1	03.22	FOURTH SUBMITTAL (INTERIOR REVISIONS)
6.1	06.15.22	FIFTH SUBMITTAL (CURTAINWALL FIELD MEASUREMENTS)
6.2	06.20.22	SIXTH SUBMITTAL (CURTAINWALL FIELD MEASUREMENTS)
6.3	06.22.22	SEVENTH SUBMITTAL (CURTAINWALL FIELD MEASUREMENTS)
6.4	08.30.22	EIGHTH SUBMITTAL (INTERIOR STOREFRONT FIELD MEASUREMENTS)

BY	ECW
ECW	ECW
ECW	ECW
ECW	ECW
ECW	ECW



F-CLIP SECURED USING TWO 1/4-20 GRADE 5 SMS
MINIMUM FULL PENETRATION + 1/2"
MINIMUM 1" EDGE DISTANCE
MINIMUM 1" ANCHOR SPACING

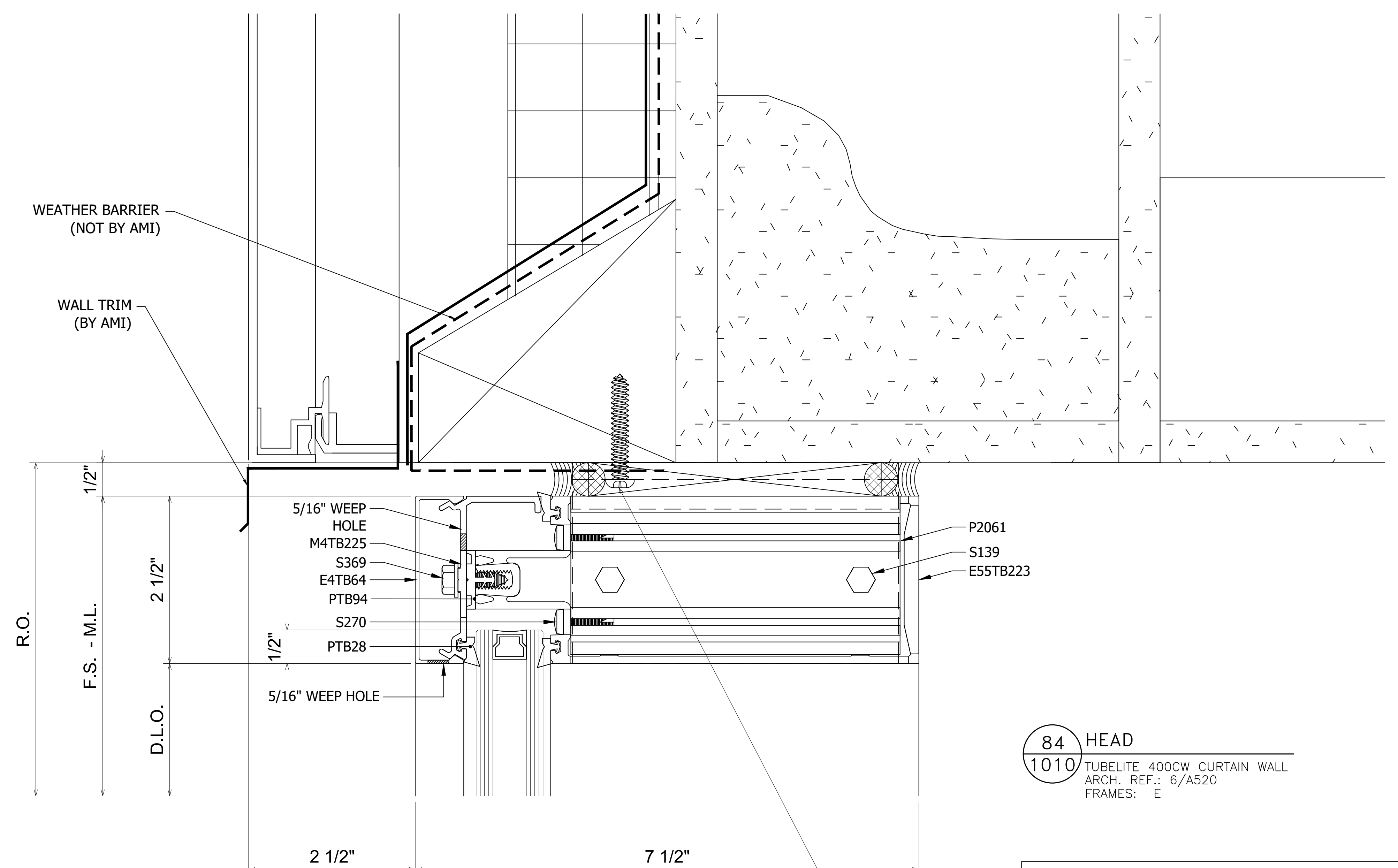
T-CLIP SECURED USING FOUR 1/4-20 GRADE 5 SMS
MINIMUM FULL PENETRATION + 1/2"
MINIMUM 3/4" EDGE DISTANCE
MINIMUM 1" ANCHOR SPACING
TWO ANCHORS ON EACH SIDE OF MULLION

F-CLIP SECURED USING TWO #12 WOOD SCREWS
MINIMUM 3" PENETRATION
MINIMUM 3/4" EDGE DISTANCE
MINIMUM 1" ANCHOR SPACING

T-CLIP SECURED USING FOUR #12 WOOD SCREWS
MINIMUM 3" PENETRATION
MINIMUM 3/4" EDGE DISTANCE
MINIMUM 1" ANCHOR SPACING
TWO ANCHORS ON EACH SIDE OF MULLION

83 HEAD
1009 TUBELITE 400CW CURTAIN WALL
ARCH. REF.: 5/A522
FRAMES: M

83A SILL
1009 TUBELITE 400CW CURTAIN WALL
ARCH. REF.: 8/A522
FRAMES: D - M



84 HEAD
 1010 TUBELITE 400CW CURTAIN WALL
 ARCH. REF.: 6/A520
 FRAMES: E

F-CLIP SECURED USING TWO #12 WOOD SCREWS
 MINIMUM 3" PENETRATION
 MINIMUM 3/4" EDGE DISTANCE
 MINIMUM 1" ANCHOR SPACING

T-CLIP SECURED USING FOUR #12 WOOD SCREWS
 MINIMUM 3" PENETRATION
 MINIMUM 3/4" EDGE DISTANCE
 MINIMUM 1" ANCHOR SPACING
 TWO ANCHORS ON EACH SIDE OF MULLION

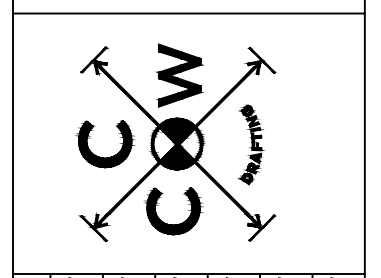
SHEET NO.:
1010

SCALE:
 N.T.S.

SCOPE:
 ALUMINUM
 CURTAINWALL &
 STOREFRONT

PROJECT:
 NASHVILLE SC TRAINING FACILITY
 4251 CENTURY FARMS TERRACE
 NASHVILLE, TN 37013

**ALEXANDER
 METALS INC.**
 ARCHITECTURAL PRODUCT SPECIALISTS
 10705 WOODLAND DRIVE, NASHVILLE, TN 37203
 PHONE: (615) 256-9070 FAX: (615) 256-9623
 www.AlexanderMetalsInc.com

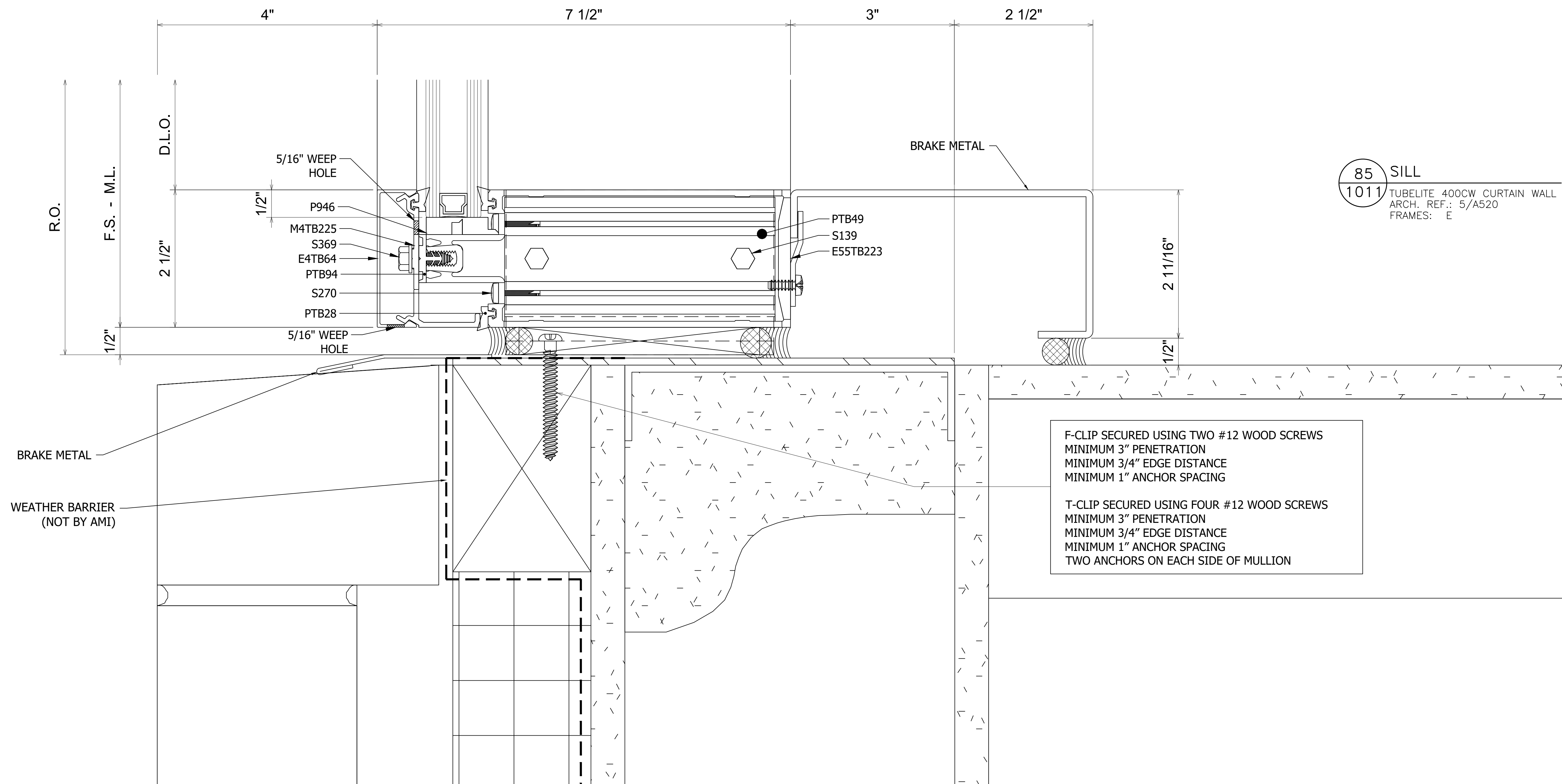


NO.	DATE	SUBMITTAL / REVISION	BY
4.1	03.02.22	THIRD SUBMITTAL (INTERIOR REVISIONS)	CCW
5.1	03.31.22	FOURTH SUBMITTAL (INTERIOR REVISIONS)	CCW
6.1	06.15.22	FIFTH SUBMITTAL (CURTAINWALL FIELD MEASUREMENTS)	CCW
6.2	06.20.22	SIXTH SUBMITTAL (CURTAINWALL FIELD MEASUREMENTS)	CCW
6.3	06.22.22	SEVENTH SUBMITTAL (CURTAINWALL FIELD MEASUREMENTS)	CCW
6.4	08.30.22	EIGHTH SUBMITTAL (INTERIOR STOREFRONT FIELD MEASUREMENTS)	CCW

REV. NO.

JOB NO. 4047

SHEET NO.:
1010



85 SILL
 1011 TUBELITE 400CW CURTAIN WALL
 ARCH. REF.: 5/A520
 FRAMES: E

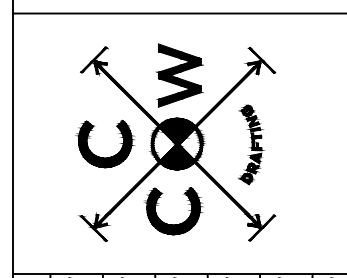
SHEET NO.:
1011

SCALE:
 N.T.S.

SCOPE:
 ALUMINUM
 CURTAINWALL
 STOREFRONT

PROJECT:
 NASHVILLE SC TRAINING FACILITY
 4251 CENTURY FARMS TERRACE
 NASHVILLE, TN 37013

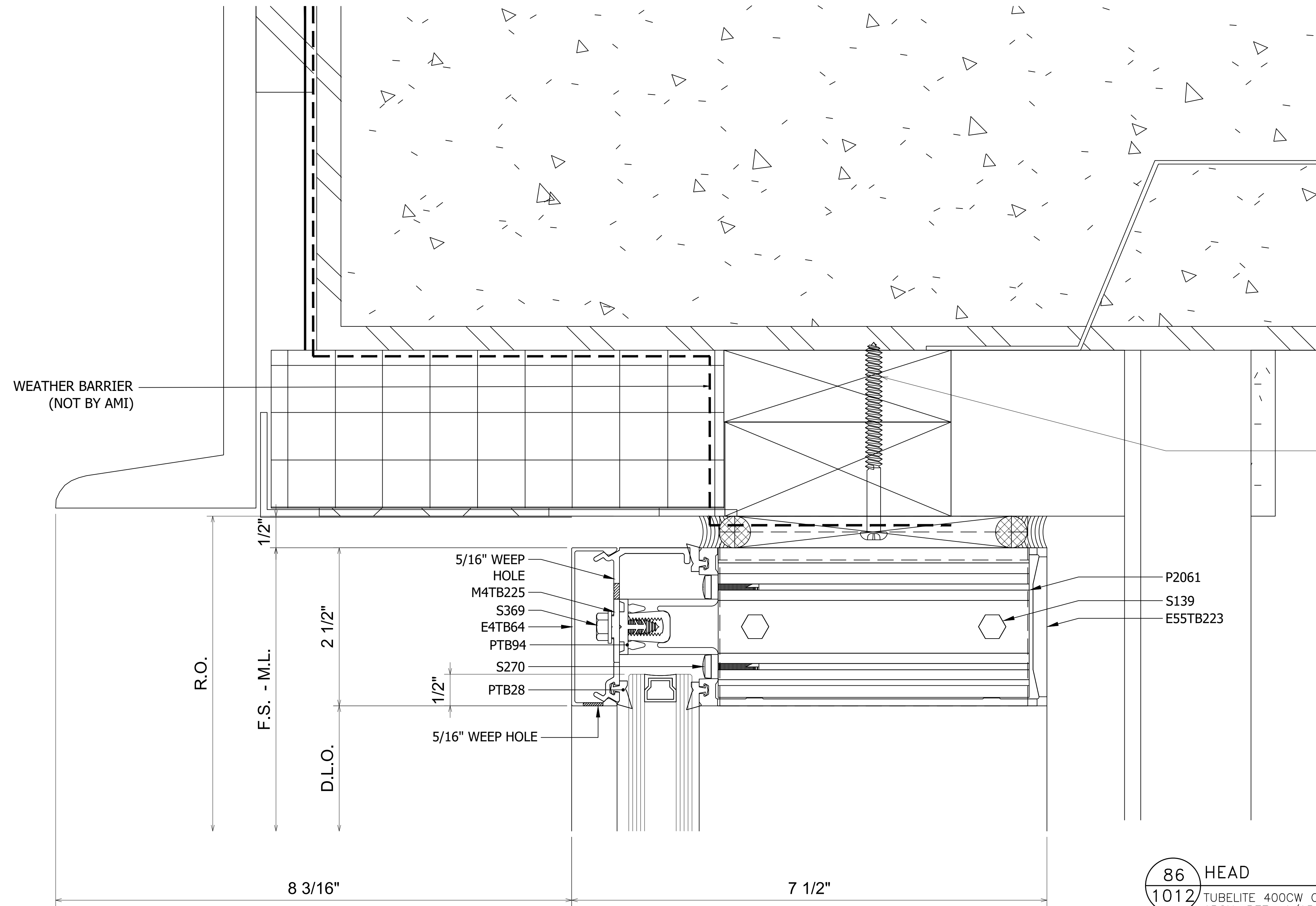
ALEXANDER METALS INC.
 ARCHITECTURAL PRODUCT SPECIALISTS
 1017 CEDAR HOLLOW DRIVE, NASHVILLE, TN 37203
 PHONE: (615) 258-9070 FAX: (615) 258-9023
 www.AlexanderMetalsInc.com



NO.	DATE	DESCRIPTION	BY
4.1	02.02.22	THIRD SUBMITTAL (INTERIOR REVISIONS)	CCW
5.1	03.31.22	FOURTH SUBMITTAL (INTERIOR REVISIONS)	CCW
6.1	06.15.22	FIFTH SUBMITTAL (CURTAINWALL FIELD MEASUREMENTS)	CCW
6.2	06.20.22	SIXTH SUBMITTAL (CURTAINWALL FIELD MEASUREMENTS)	CCW
6.3	08.22.22	SEVENTH SUBMITTAL (CURTAINWALL FIELD MEASUREMENTS)	CCW
6.4	08.30.22	EIGHTH SUBMITTAL (INTERIOR STOREFRONT FIELD MEASUREMENTS)	CCW

REV. NO. 4047

SHEET NO.:
1011



F-CLIP SECURED USING TWO #12 WOOD SCREWS
 MINIMUM 3" PENETRATION
 MINIMUM 3/4" EDGE DISTANCE
 MINIMUM 1" ANCHOR SPACING

T-CLIP SECURED USING FOUR #12 WOOD SCREWS
 MINIMUM 3" PENETRATION
 MINIMUM 3/4" EDGE DISTANCE
 MINIMUM 1" ANCHOR SPACING
 TWO ANCHORS ON EACH SIDE OF MULLION

- 5/16" WEEP HOLE
- M4TB225
- S369
- E4TB64
- PTB94
- S270
- PTB28
- 5/16" WEEP HOLE
- P2061
- S139
- E55TB223

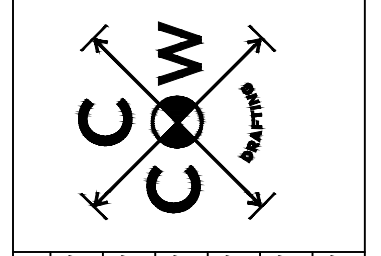
86 HEAD
 1012 TUBELITE 400CW CURTAIN WALL
 ARCH. REF.: 1/A521
 FRAMES: F

SHEET NO.:
1012
 SCALE:
 N.T.S.

SCOPE:
 ALUMINUM
 CURTAINWALL &
 STOREFRONT

PROJECT:
 NASHVILLE SC TRAINING FACILITY
 4251 CENTURY FARMS TERRACE
 NASHVILLE, TN 37013

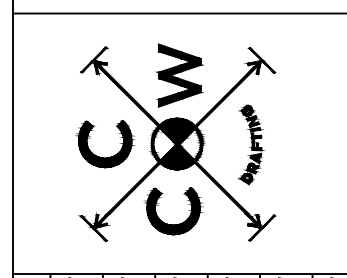
ALEXANDER
AMETALS INC.
 ARCHITECTURAL PRODUCT SPECIALISTS
 1017 CEDAR HOLLOW DRIVE, NASHVILLE, TN 37203
 PHONE: (615) 258-9070 FAX: (615) 258-9823
 www.AlexanderMetalsInc.com



NO.	DATE	REVISION
4.1	02.22	THIRD SUBMITTAL (INTERIOR REVISIONS)
5.1	03.31.22	FOURTH SUBMITTAL (INTERIOR REVISIONS)
6.1	06.15.22	FIFTH SUBMITTAL (CURTAINWALL FIELD MEASUREMENTS)
6.2	06.20.22	SIXTH SUBMITTAL (CURTAINWALL FIELD MEASUREMENTS)
6.3	06.22.22	SEVENTH SUBMITTAL (CURTAINWALL FIELD MEASUREMENTS)
6.4	08.30.22	EIGHTH SUBMITTAL (INTERIOR STOREFRONT FIELD MEASUREMENTS)

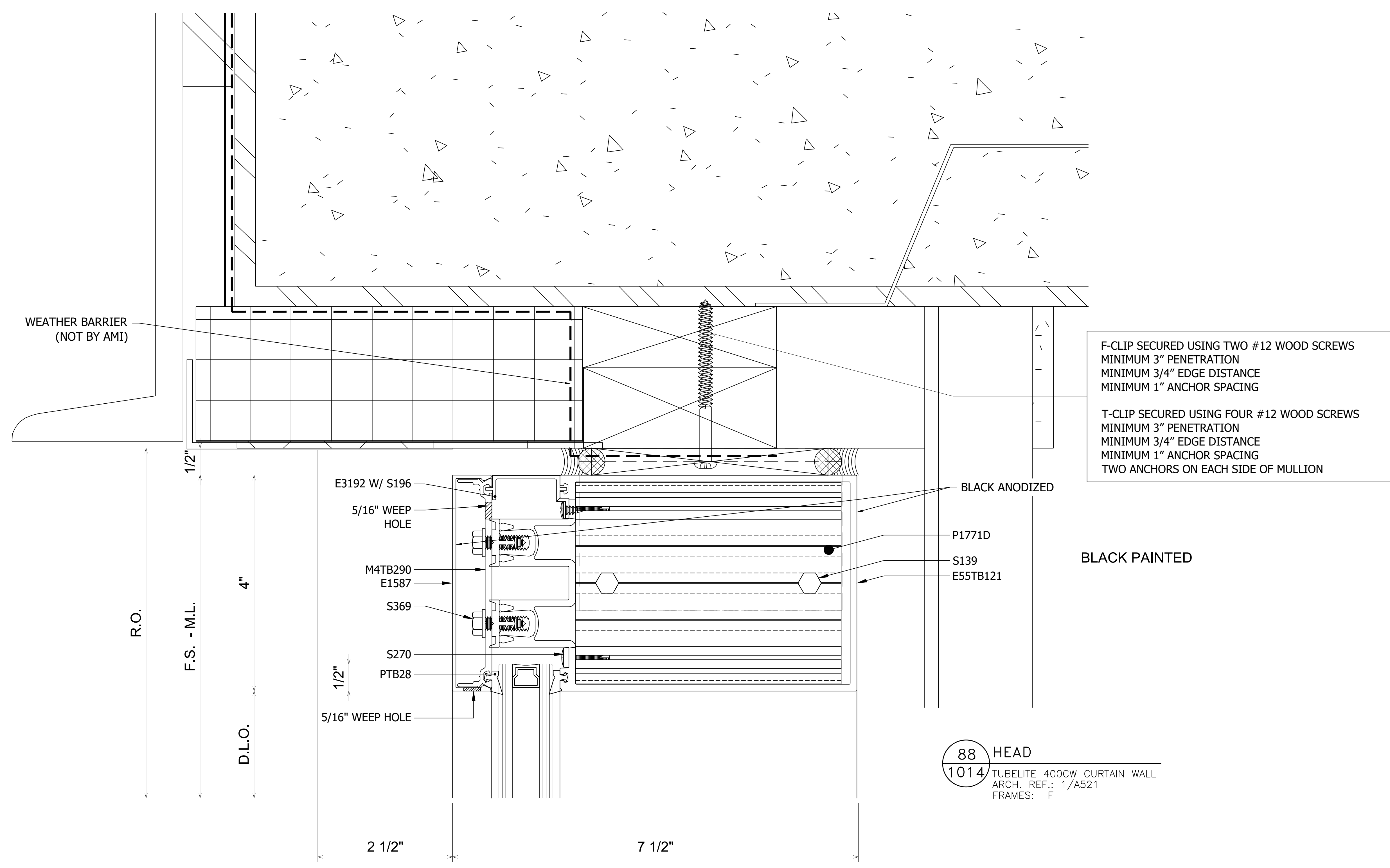
BY: CCW
 JOB NO.: 4047
 REV. NO.:

SHEET NO.:
1012



NO.	DATE	REVISION	BY
4.1	01.02.22	THIRD SUBMITTAL (INTERIOR REVISIONS)	CCW
5.1	03.31.22	FOURTH SUBMITTAL (INTERIOR REVISIONS)	CCW
6.1	06.15.22	FIFTH SUBMITTAL (CURTAINWALL FIELD MEASUREMENTS)	CCW
6.2	06.20.22	SIXTH SUBMITTAL (CURTAINWALL FIELD MEASUREMENTS)	CCW
6.3	06.22.22	SEVENTH SUBMITTAL (CURTAINWALL FIELD MEASUREMENTS)	CCW
6.4	08.30.22	EIGHTH SUBMITTAL (INTERIOR STOREFRONT FIELD MEASUREMENTS)	CCW

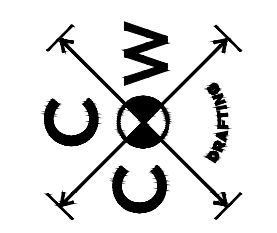
JOB NO.	4047
REV. NO.	



F-CLIP SECURED USING TWO #12 WOOD SCREWS
MINIMUM 3" PENETRATION
MINIMUM 3/4" EDGE DISTANCE
MINIMUM 1" ANCHOR SPACING

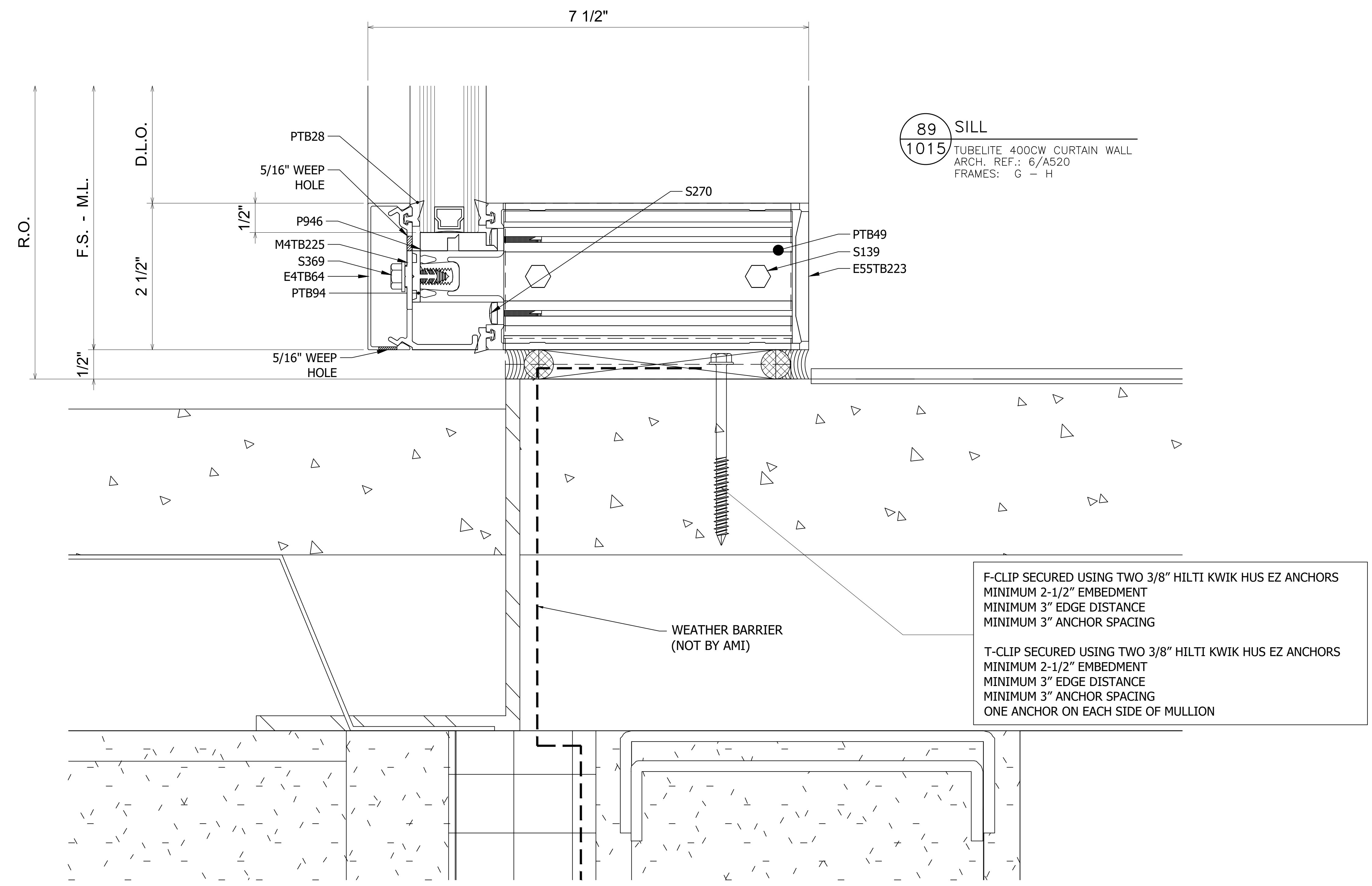
T-CLIP SECURED USING FOUR #12 WOOD SCREWS
MINIMUM 3" PENETRATION
MINIMUM 3/4" EDGE DISTANCE
MINIMUM 1" ANCHOR SPACING
TWO ANCHORS ON EACH SIDE OF MULLION

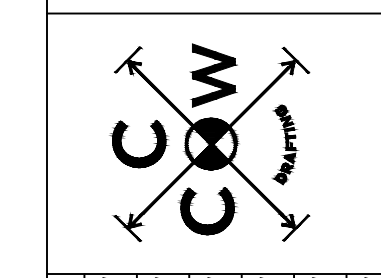
88 HEAD
1014 TUBELITE 400CW CURTAIN WALL
ARCH. REF.: 1/A521
FRAMES: F



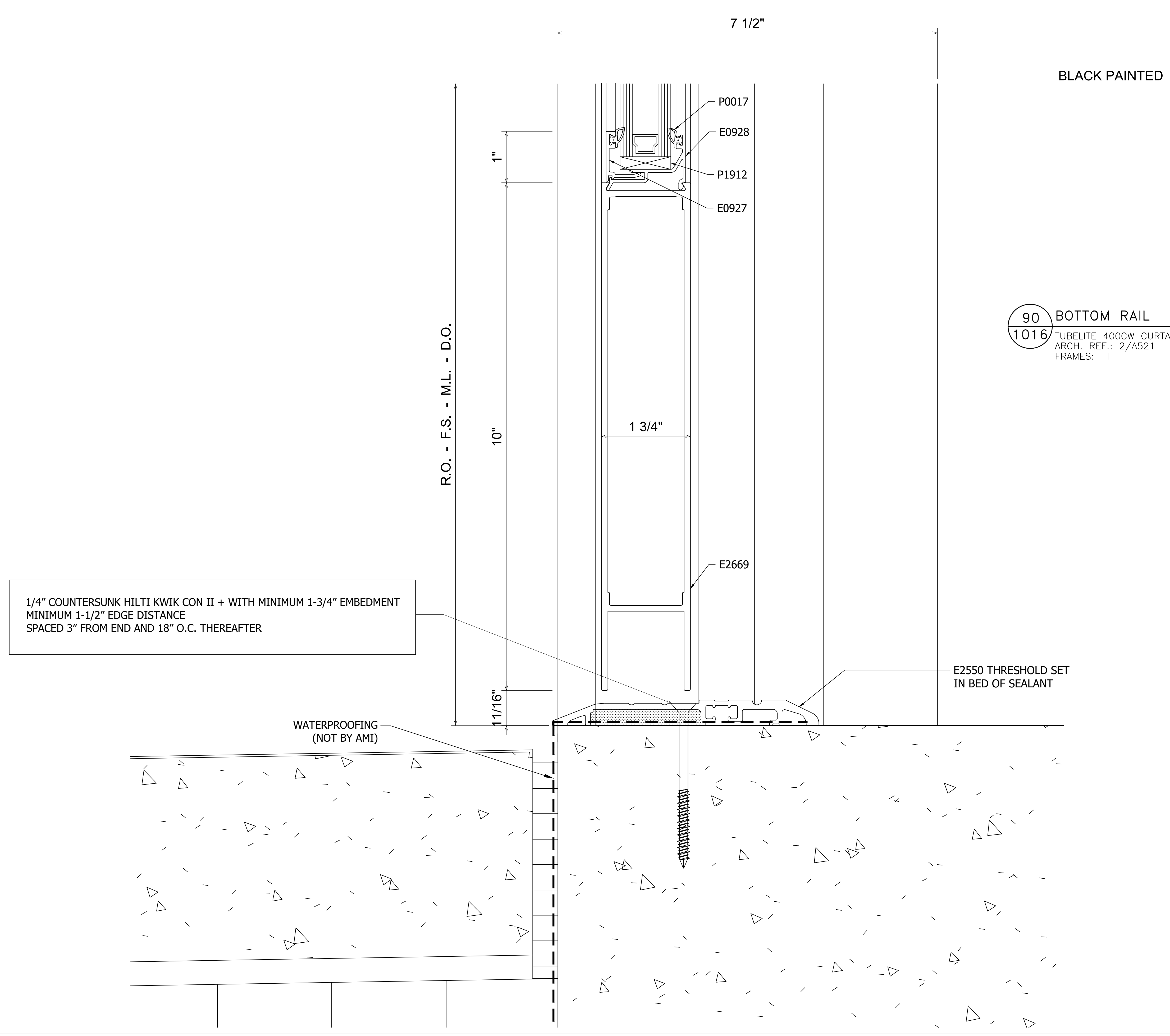
NO.	DATE	SUBMITTAL / REVISION	BY
4.1	03.02.22	THIRD SUBMITTAL (INTERIOR REVISIONS)	CCW
5.1	03.31.22	FOURTH SUBMITTAL (INTERIOR REVISIONS)	CCW
6.1	06.15.22	FIFTH SUBMITTAL (CURTAINWALL FIELD MEASUREMENTS)	CCW
6.2	06.20.22	SIXTH SUBMITTAL (CURTAINWALL FIELD MEASUREMENTS)	CCW
6.3	06.22.22	SEVENTH SUBMITTAL (CURTAINWALL FIELD MEASUREMENTS)	CCW
6.4	08.30.22	EIGHTH SUBMITTAL (INTERIOR STOREFRONT FIELD MEASUREMENTS)	CCW

JOB NO. 4047
REV. NO.





NO.	DATE	REVISION
4.1	03.02.22	THIRD SUBMITTAL (INTERIOR REVISIONS)
5.1	03.31.22	FOURTH SUBMITTAL (INTERIOR REVISIONS)
6.1	06.15.22	FIFTH SUBMITTAL (CURTAINWALL FIELD MEASUREMENTS)
6.2	06.20.22	SIXTH SUBMITTAL (CURTAINWALL FIELD MEASUREMENTS)
6.3	06.22.22	SEVENTH SUBMITTAL (CURTAINWALL FIELD MEASUREMENTS)
6.4	08.30.22	EIGHTH SUBMITTAL (INTERIOR STOREFRONT FIELD MEASUREMENTS)



90 BOTTOM RAIL
1016 TUBELITE 400CW CURTAIN WALL
ARCH. REF.: 2/A521
FRAMES: 1

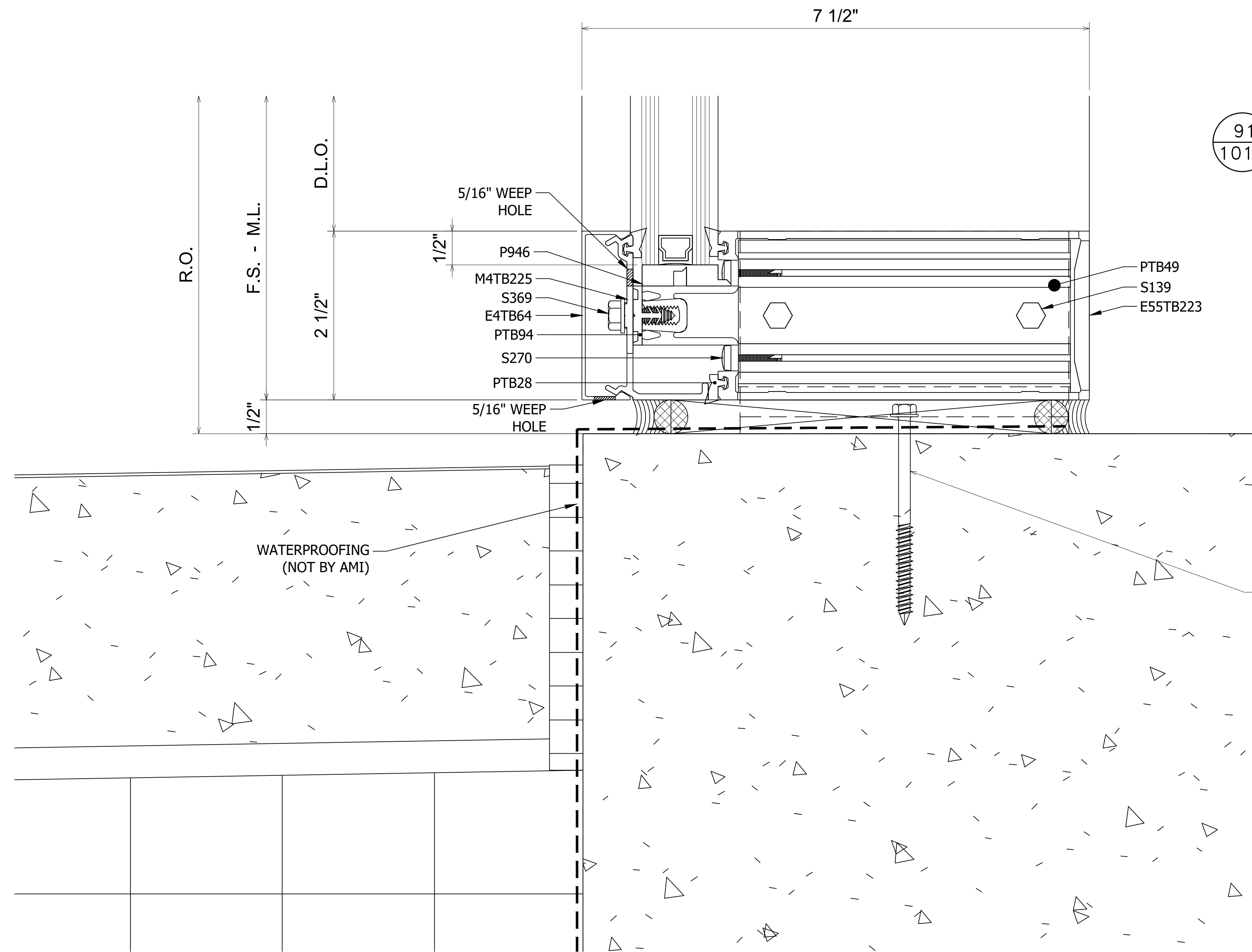
1/4" COUNTERSUNK HILTI KWIK CON II + WITH MINIMUM 1-3/4" EMBEDMENT
MINIMUM 1-1/2" EDGE DISTANCE
SPACED 3" FROM END AND 18" O.C. THEREAFTER

WATERPROOFING
(NOT BY AMI)

E2550 THRESHOLD SET
IN BED OF SEALANT

BLACK PAINTED

R.O. - F.S. - M.L. - D.O.



91 SILL
 1017 TUBELITE 400CW CURTAIN WALL
 ARCH. REF.: 2/A521
 FRAMES: I - J - K - L

F-CLIP SECURED USING TWO 3/8" HILTI KWIK HUS EZ ANCHORS
 MINIMUM 2-1/2" EMBEDMENT
 MINIMUM 3" EDGE DISTANCE
 MINIMUM 3" ANCHOR SPACING

T-CLIP SECURED USING TWO 3/8" HILTI KWIK HUS EZ ANCHORS
 MINIMUM 2-1/2" EMBEDMENT
 MINIMUM 3" EDGE DISTANCE
 MINIMUM 3" ANCHOR SPACING
 ONE ANCHOR ON EACH SIDE OF MULLION

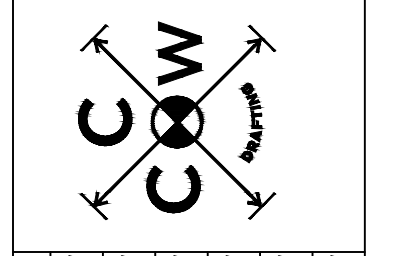
SHEET NO.:
1017

SCALE:
 N.T.S.

SCOPE:
 ALUMINUM
 CURTAINWALL &
 STOREFRONT

PROJECT:
 NASHVILLE SC TRAINING FACILITY
 4251 CENTURY FARMS TERRACE
 NASHVILLE, TN 37013

ALEXANDER METALS INC.
 ARCHITECTURAL PRODUCT SPECIALISTS
 1070 GLENN AVENUE, NASHVILLE, TENNESSEE 37203
 PHONE: (615) 258-9070 FAX: (615) 258-9823
 www.AlexanderMetalsInc.com



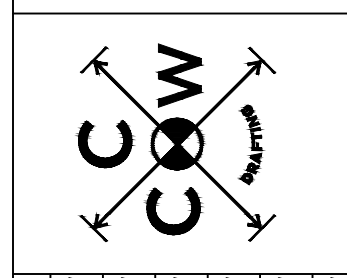
NO.	DATE	REVISION
4.1	02.02.22	THIRD SUBMITTAL (INTERIOR REVISIONS)
5.1	03.31.22	FOURTH SUBMITTAL (INTERIOR REVISIONS)
6.1	06.15.22	FIFTH SUBMITTAL (CURTAINWALL FIELD MEASUREMENTS)
6.2	06.20.22	SIXTH SUBMITTAL (CURTAINWALL FIELD MEASUREMENTS)
6.3	06.22.22	SEVENTH SUBMITTAL (CURTAINWALL FIELD MEASUREMENTS)
6.4	08.30.22	EIGHTH SUBMITTAL (INTERIOR STOREFRONT FIELD MEASUREMENTS)

SHEET NO.:
1017

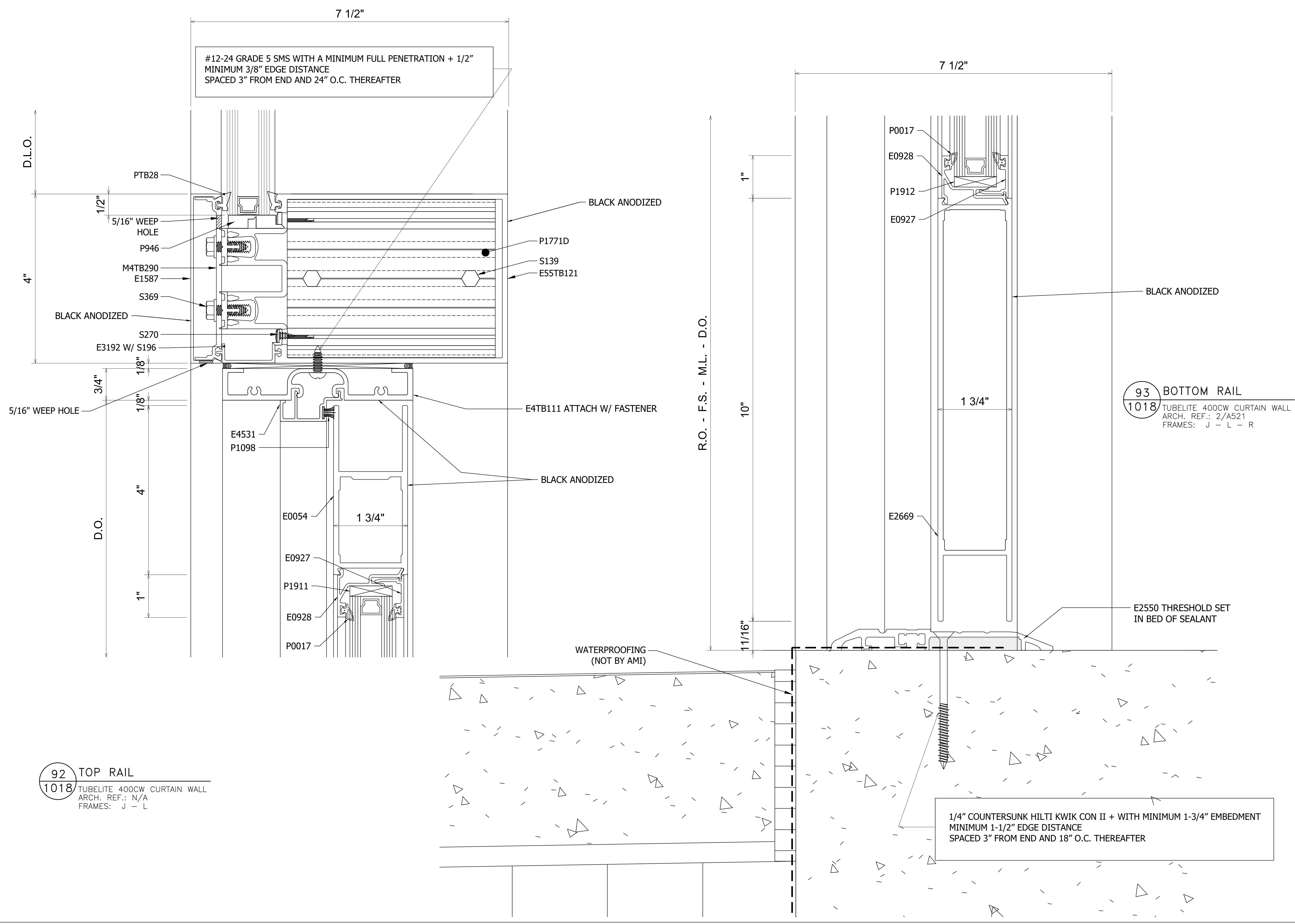
SCOPE:
ALUMINUM
CURTAINWALL
&
STOREFRONT

PROJECT:
NASHVILLE SC TRAINING FACILITY
4251 CENTURY FARMS TERRACE
NASHVILLE, TN 37013

**ALEXANDER
METALS INC.**
ARCHITECTURAL PRODUCT SPECIALISTS
1017 GLENN AVENUE, NASHVILLE, TENNESSEE 37203
PHONE: (615) 258-9070 FAX: (615) 258-9623
www.AlexanderMetalsInc.com



NO.	DATE	REVISION
4.1	02/22	THIRD SUBMITTAL (INTERIOR REVISIONS)
5.1	03/22	FOURTH SUBMITTAL (INTERIOR REVISIONS)
6.1	06/15/22	FIFTH SUBMITTAL (CURTAINWALL FIELD MEASUREMENTS)
6.2	06/20/22	SIXTH SUBMITTAL (CURTAINWALL FIELD MEASUREMENTS)
6.3	06/22/22	SEVENTH SUBMITTAL (CURTAINWALL FIELD MEASUREMENTS)
6.4	08/30/22	EIGHTH SUBMITTAL (INTERIOR STOREFRONT FIELD MEASUREMENTS)



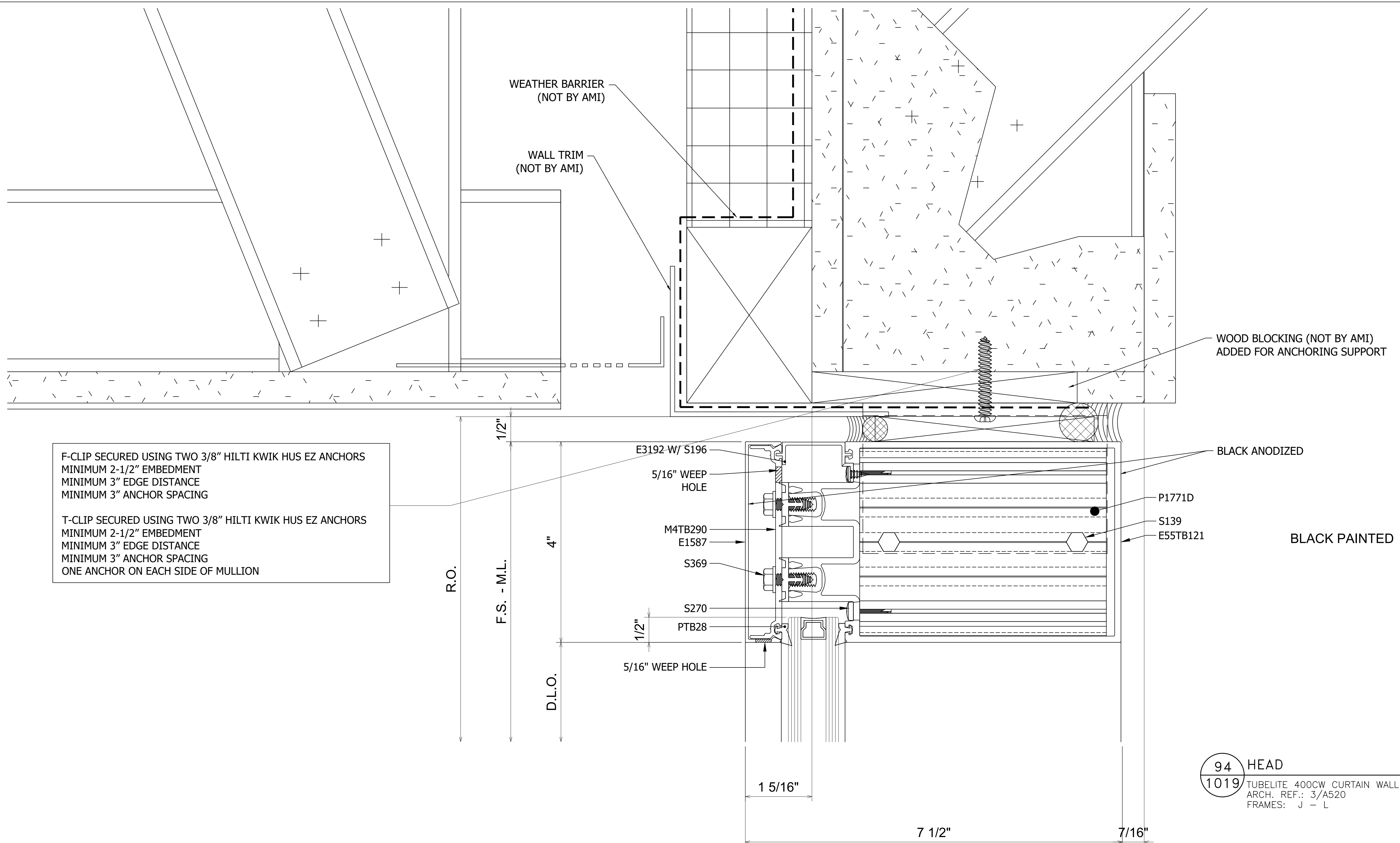
92 TOP RAIL
1018 TUBELITE 400CW CURTAIN WALL
ARCH. REF.: N/A
FRAMES: J - L

93 BOTTOM RAIL
1018 TUBELITE 400CW CURTAIN WALL
ARCH. REF.: 2/A521
FRAMES: J - L - R

1/4" COUNTERSUNK HILTI KWIK CON II + WITH MINIMUM 1-3/4" EMBEDMENT
MINIMUM 1-1/2" EDGE DISTANCE
SPACED 3" FROM END AND 18" O.C. THEREAFTER

WATERPROOFING
(NOT BY AMI)

R.O. - F.S. - M.L. - D.O.



F-CLIP SECURED USING TWO 3/8" HILTI KWIK HUS EZ ANCHORS
 MINIMUM 2-1/2" EMBEDMENT
 MINIMUM 3" EDGE DISTANCE
 MINIMUM 3" ANCHOR SPACING

T-CLIP SECURED USING TWO 3/8" HILTI KWIK HUS EZ ANCHORS
 MINIMUM 2-1/2" EMBEDMENT
 MINIMUM 3" EDGE DISTANCE
 MINIMUM 3" ANCHOR SPACING
 ONE ANCHOR ON EACH SIDE OF MULLION

94 HEAD
 1019 TUBELITE 400CW CURTAIN WALL
 ARCH. REF.: 3/A520
 FRAMES: J - L

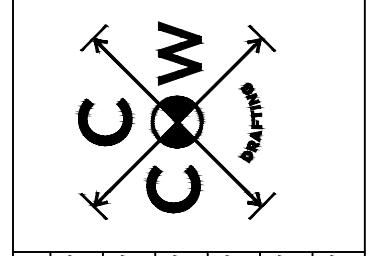
SHEET NO.:
1019

SCALE:
 N.T.S.

SCOPE:
 ALUMINUM
 CURTAINWALL &
 STOREFRONT

PROJECT:
 NASHVILLE SC TRAINING FACILITY
 4251 CENTURY FARMS TERRACE
 NASHVILLE, TN 37013

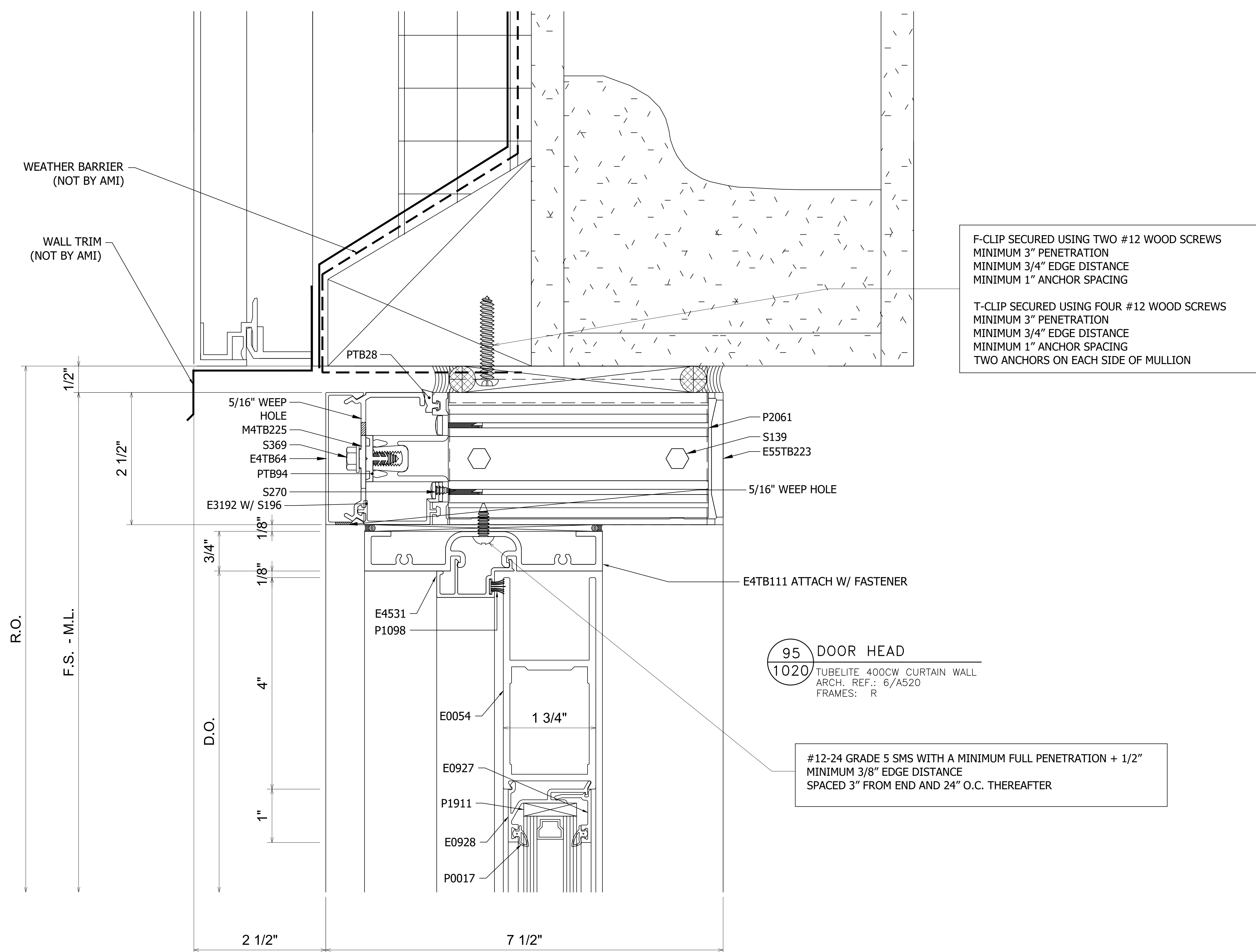
ALEXANDER METALS INC.
 ARCHITECTURAL PRODUCT SPECIALISTS
 10705 BELLEVILLE AVENUE, NASHVILLE, TN 37217
 PHONE: (615) 258-9070 FAX: (615) 258-9823
 www.AlexanderMetalsInc.com



NO.	DATE	REVISION
4.1	03.02.22	THIRD SUBMITTAL (INTERIOR REVISIONS)
5.1	03.31.22	FOURTH SUBMITTAL (INTERIOR REVISIONS)
6.1	06.15.22	FIFTH SUBMITTAL (CURTAINWALL FIELD MEASUREMENTS)
6.2	06.20.22	SIXTH SUBMITTAL (CURTAINWALL FIELD MEASUREMENTS)
6.3	06.22.22	SEVENTH SUBMITTAL (CURTAINWALL FIELD MEASUREMENTS)
6.4	08.30.22	EIGHTH SUBMITTAL (INTERIOR STOREFRONT FIELD MEASUREMENTS)

BY: CCW
 JOB NO.: 4047
 REV. NO.:

SHEET NO.:
1019



F-CLIP SECURED USING TWO #12 WOOD SCREWS
 MINIMUM 3" PENETRATION
 MINIMUM 3/4" EDGE DISTANCE
 MINIMUM 1" ANCHOR SPACING

T-CLIP SECURED USING FOUR #12 WOOD SCREWS
 MINIMUM 3" PENETRATION
 MINIMUM 3/4" EDGE DISTANCE
 MINIMUM 1" ANCHOR SPACING
 TWO ANCHORS ON EACH SIDE OF MULLION

95 DOOR HEAD
 1020 TUBELITE 400CW CURTAIN WALL
 ARCH. REF.: 6/A520
 FRAMES: R

#12-24 GRADE 5 SMS WITH A MINIMUM FULL PENETRATION + 1/2"
 MINIMUM 3/8" EDGE DISTANCE
 SPACED 3" FROM END AND 24" O.C. THEREAFTER

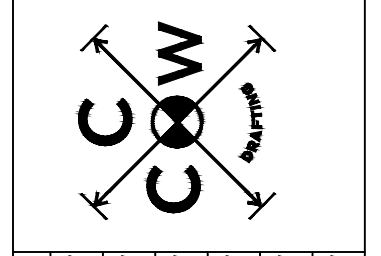
SHEET NO.:
1020

SCALE:
 N.T.S.

SCOPE:
 ALUMINUM
 CURTAINWALL &
 STOREFRONT

PROJECT:
 NASHVILLE SC TRAINING FACILITY
 4251 CENTURY FARMS TERRACE
 NASHVILLE, TN 37013

ALEXANDER METALS INC.
 ARCHITECTURAL PRODUCT SPECIALISTS
 10705 WOODLAND AVENUE, NASHVILLE, TN 37203
 PHONE: (615) 256-8070 FAX: (615) 256-8223
 www.AlexanderMetalsInc.com

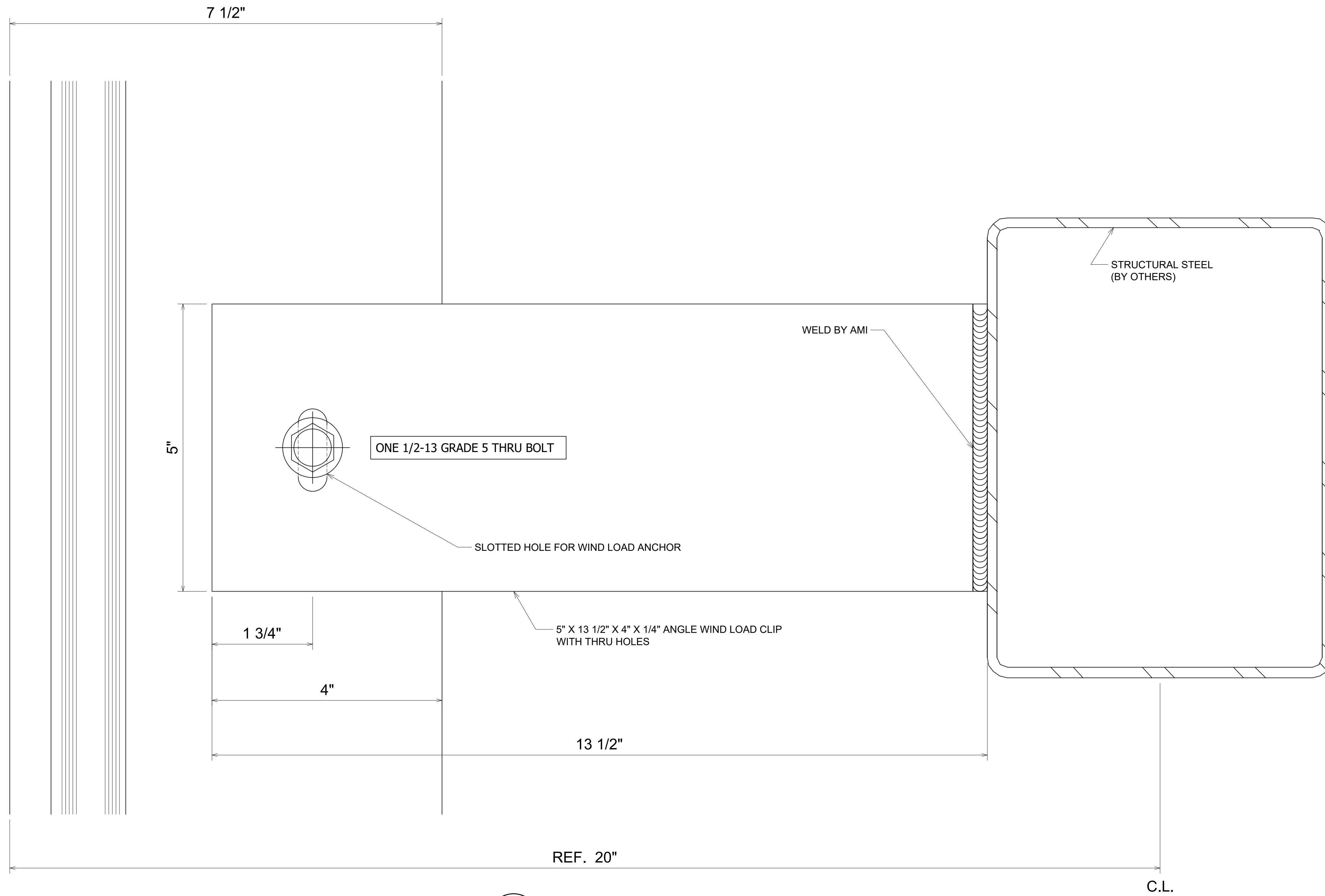


NO.	DATE	REVISION	BY
4.1	02/22	THIRD SUBMITTAL (INTERIOR REVISIONS)	CCW
5.1	03/31/22	FOURTH SUBMITTAL (INTERIOR REVISIONS)	CCW
6.1	06/15/22	FIFTH SUBMITTAL (CURTAINWALL FIELD MEASUREMENTS)	CCW
6.2	06/20/22	SIXTH SUBMITTAL (CURTAINWALL FIELD MEASUREMENTS)	CCW
6.3	06/22/22	SEVENTH SUBMITTAL (CURTAINWALL FIELD MEASUREMENTS)	CCW
6.4	08/30/22	EIGHTH SUBMITTAL (INTERIOR STOREFRONT FIELD MEASUREMENTS)	CCW

JOB NO. 4047

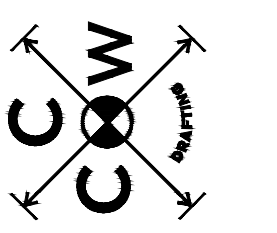
REV. NO.

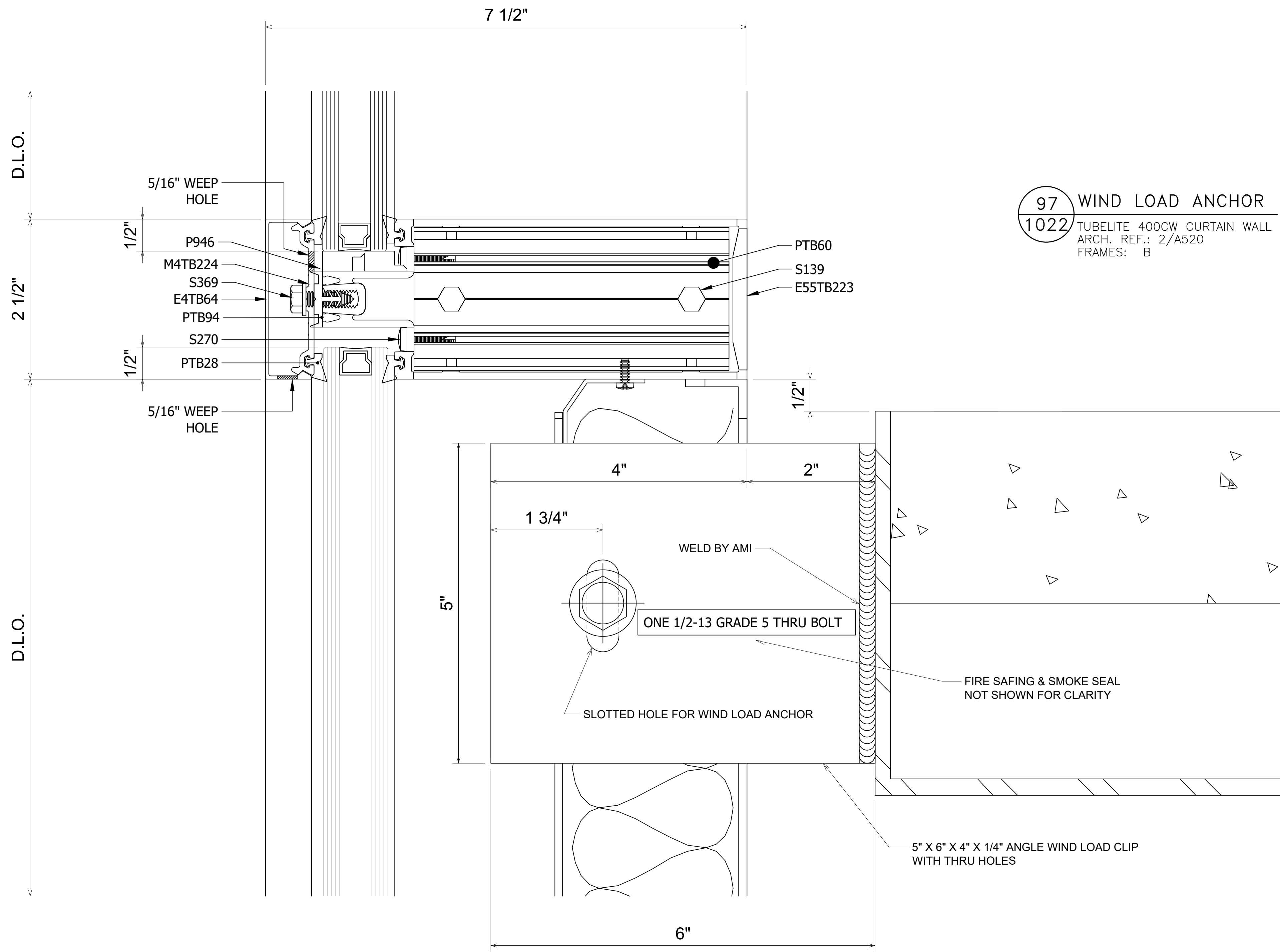
SHEET NO.:
1020



96 WIND LOAD ANCHOR
 1021 TUBELITE 400CW CURTAIN WALL
 ARCH. REF.: 2/A520
 FRAMES: A - D

SHEET NO.:		1021	
SCALE:		N.T.S.	
SCOPE:		ALUMINUM CURTAINWALL & STOREFRONT	
PROJECT:		NASHVILLE SC TRAINING FACILITY 4251 CENTURY FARMS TERRACE NASHVILLE, TN 37013	
ARCHITECT:		ALEXANDER METALS INC. ARCHITECTURAL PRODUCT SPECIALISTS 1070 GLENN AVENUE, NASHVILLE, TENNESSEE 37203 PHONE: (615) 258-9070 FAX: (615) 258-9223 www.AlexanderMetalsInc.com	
BY:		CCW	
NO. DATE		SUBMITTAL / REVISION	
4.1	02.02.22	THIRD SUBMITTAL (INTERIOR REVISIONS)	
5.1	03.31.22	FOURTH SUBMITTAL (INTERIOR REVISIONS)	
6.1	06.15.22	FIFTH SUBMITTAL (CURTAINWALL FIELD MEASUREMENTS)	
6.2	06.20.22	SIXTH SUBMITTAL (CURTAINWALL FIELD MEASUREMENTS)	
6.3	06.22.22	SEVENTH SUBMITTAL (CURTAINWALL FIELD MEASUREMENTS)	
6.4	08.30.22	EIGHTH SUBMITTAL (INTERIOR STOREFRONT FIELD MEASUREMENTS)	
JOB NO.:		4047	
REV. NO.:			
SHEET NO.:		1021	





97 WIND LOAD ANCHOR
 1022 TUBELITE 400CW CURTAIN WALL
 ARCH. REF.: 2/A520
 FRAMES: B

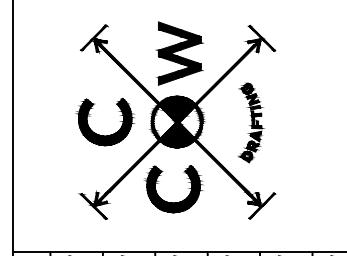
SHEET NO.:
1022

SCALE:
 N.T.S.

SCOPE:
 ALUMINUM
 CURTAINWALL &
 STOREFRONT

PROJECT:
 NASHVILLE SC TRAINING FACILITY
 4251 CENTURY FARMS TERRACE
 NASHVILLE, TN 37013

**ALEXANDER
 METALS INC.**
 ARCHITECTURAL PRODUCT SPECIALISTS
 107 CLAYTON AVENUE, NASHVILLE, TENNESSEE 37203
 PHONE: (615) 258-9070 FAX: (615) 258-9023
 www.AlexanderMetalsInc.com

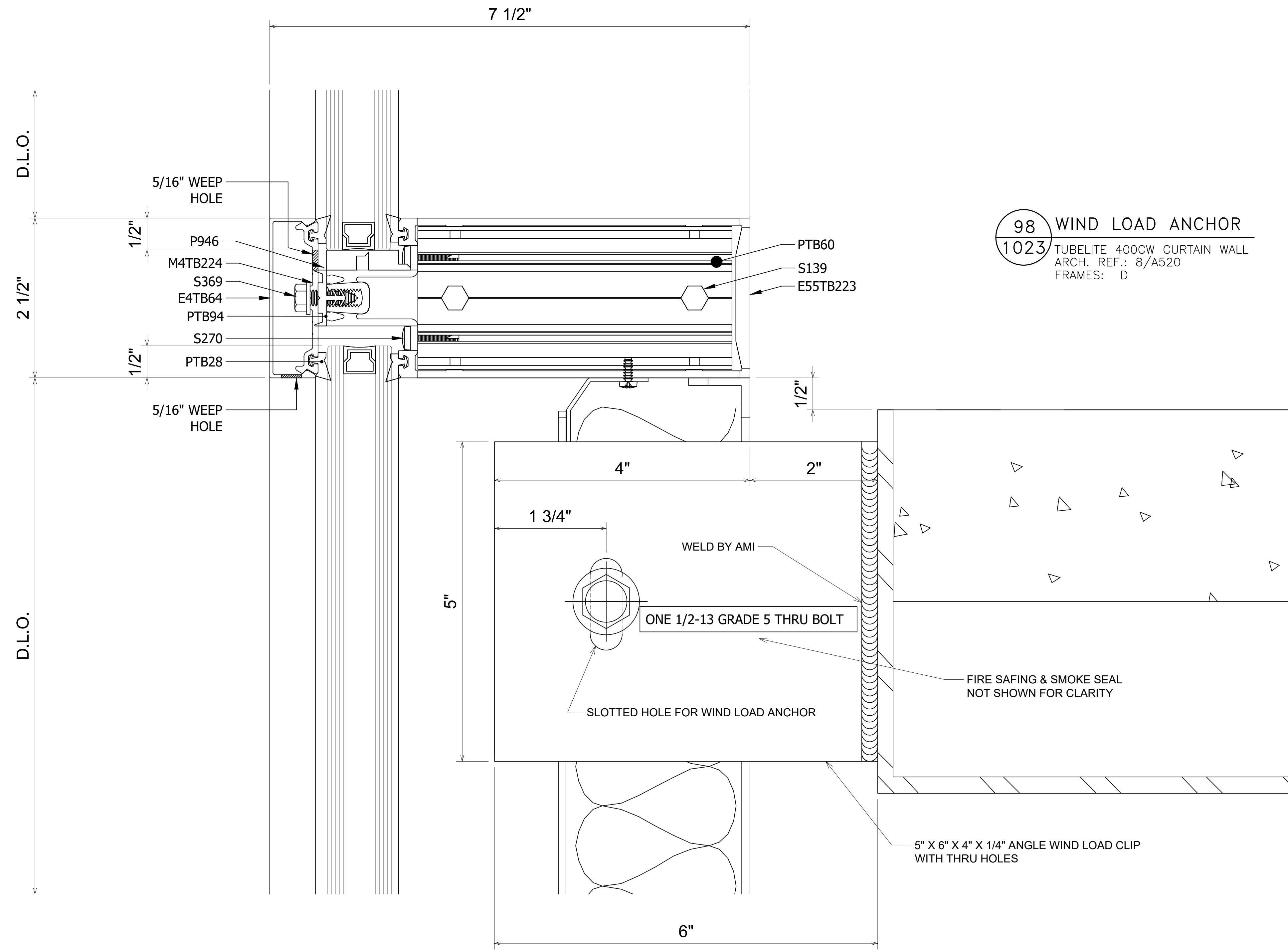


NO.	DATE	SUBMITTAL / REVISION	BY
4.1	01/02/22	THIRD SUBMITTAL (INTERIOR REVISIONS)	CCW
5.1	03/31/22	FOURTH SUBMITTAL (INTERIOR REVISIONS)	CCW
6.1	06/15/22	FIFTH SUBMITTAL (CURTAINWALL FIELD MEASUREMENTS)	CCW
6.2	06/20/22	SIXTH SUBMITTAL (CURTAINWALL FIELD MEASUREMENTS)	CCW
6.3	06/22/22	SEVENTH SUBMITTAL (CURTAINWALL FIELD MEASUREMENTS)	CCW
6.4	08/30/22	EIGHTH SUBMITTAL (INTERIOR STOREFRONT FIELD MEASUREMENTS)	CCW

JOB NO. 4047

REV. NO.

SHEET NO.:
1022



98 WIND LOAD ANCHOR
 1023 TUBELITE 400CW CURTAIN WALL
 ARCH. REF.: 8/A520
 FRAMES: D

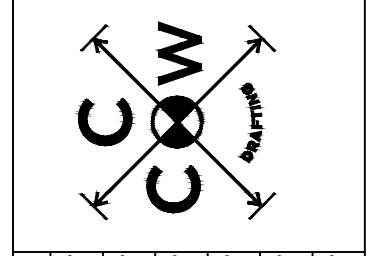
SHEET NO.:
1023

SCALE:
 N.T.S.

SCOPE:
 ALUMINUM
 CURTAINWALL &
 STOREFRONT

PROJECT:
 NASHVILLE SC TRAINING FACILITY
 4251 CENTURY FARMS TERRACE
 NASHVILLE, TN 37013

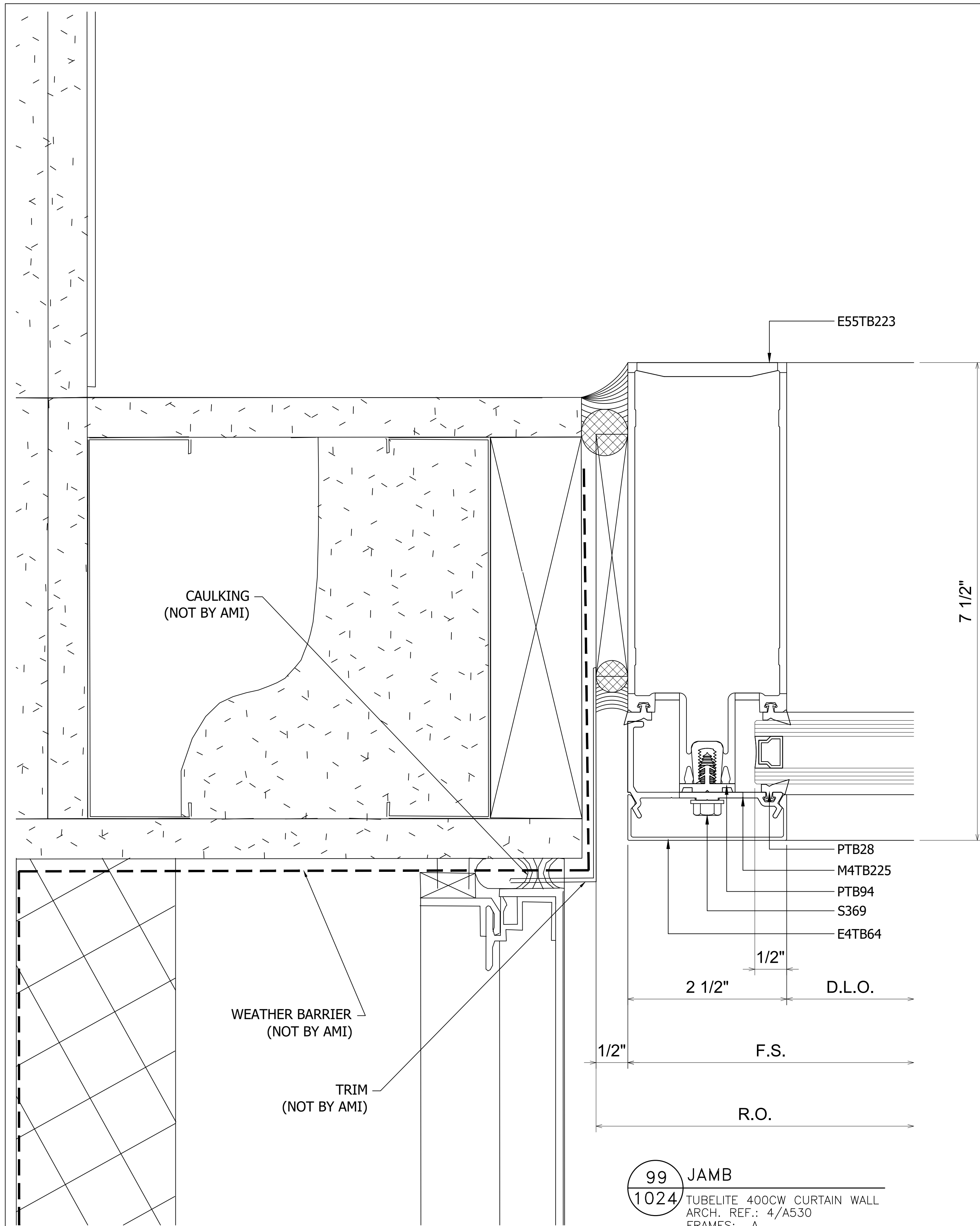
**ALEXANDER
 METALS INC.**
 ARCHITECTURAL PRODUCT SPECIALISTS
 1070 CEDAR HAVEN DRIVE, NASHVILLE, TN 37203
 PHONE: (615) 258-9070 FAX: (615) 258-9223
 www.AlexanderMetalsInc.com



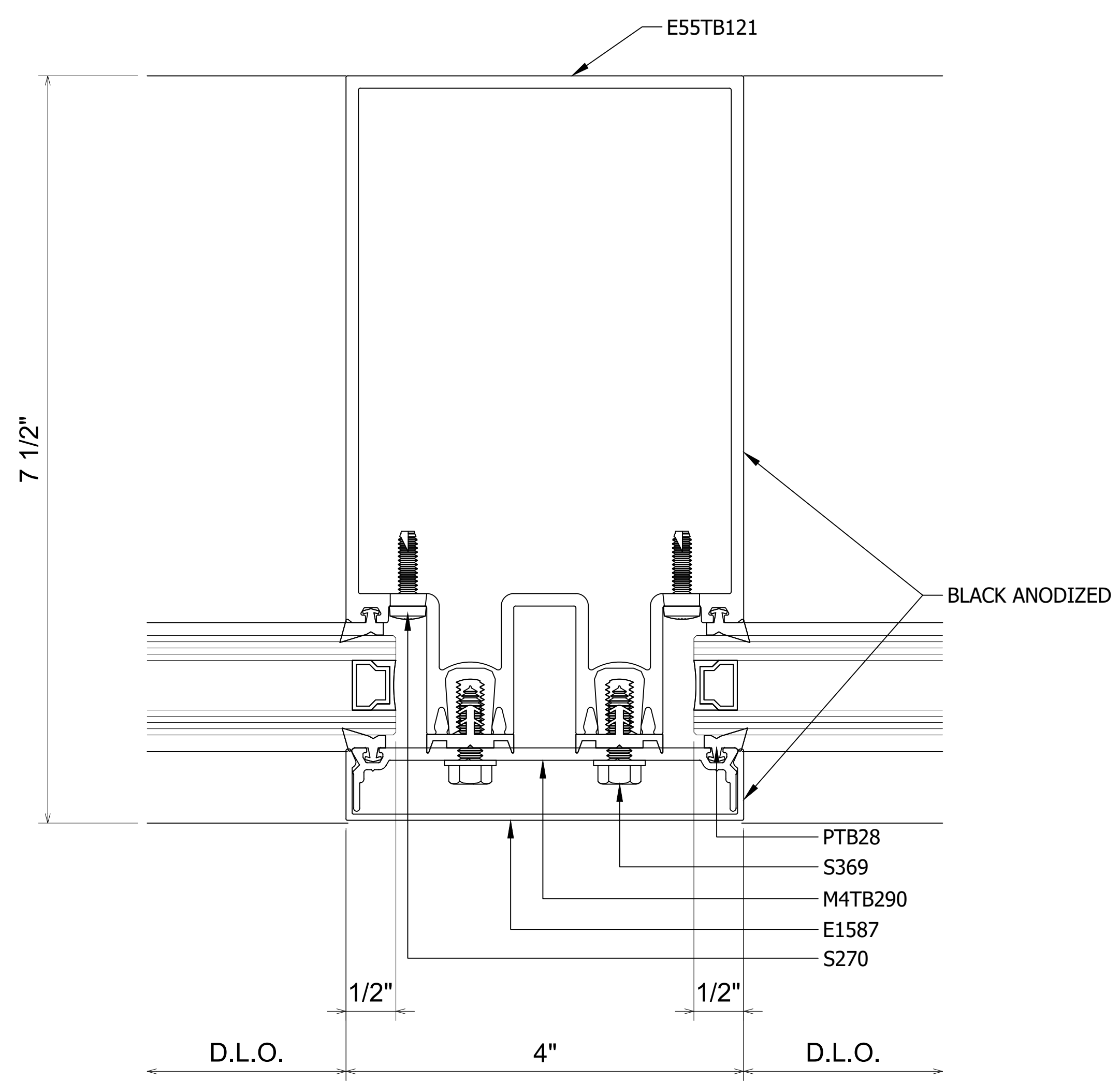
NO.	DATE	SUBMITTAL / REVISION	BY
4.1	01.02.22	THIRD SUBMITTAL (INTERIOR REVISIONS)	CCW
5.1	03.31.22	FOURTH SUBMITTAL (INTERIOR REVISIONS)	CCW
6.1	06.15.22	FIFTH SUBMITTAL (CURTAINWALL FIELD MEASUREMENTS)	CCW
6.2	06.20.22	SIXTH SUBMITTAL (CURTAINWALL FIELD MEASUREMENTS)	CCW
6.3	06.22.22	SEVENTH SUBMITTAL (CURTAINWALL FIELD MEASUREMENTS)	CCW
6.4	08.30.22	EIGHTH SUBMITTAL (INTERIOR STOREFRONT FIELD MEASUREMENTS)	CCW

JOB NO. 4047
 REV. NO.

SHEET NO.:
1023



99 JAMB
 1024 TUBELITE 400CW CURTAIN WALL
 ARCH. REF.: 4/A530
 FRAMES: A



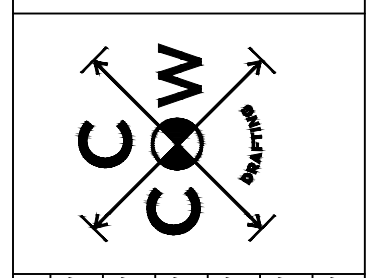
100 4" VERTICAL
 1024 TUBELITE 400CW CURTAIN WALL
 ARCH. REF.: N/A
 FRAMES: A - B - C - F - G
 I - J - L

SHEET NO.:
1024
 SCALE:
 N.T.S.

SCOPE:
 ALUMINUM
 CURTAINWALL &
 STOREFRONT

PROJECT:
 NASHVILLE SC TRAINING FACILITY
 4251 CENTURY FARMS TERRACE
 NASHVILLE, TN 37013

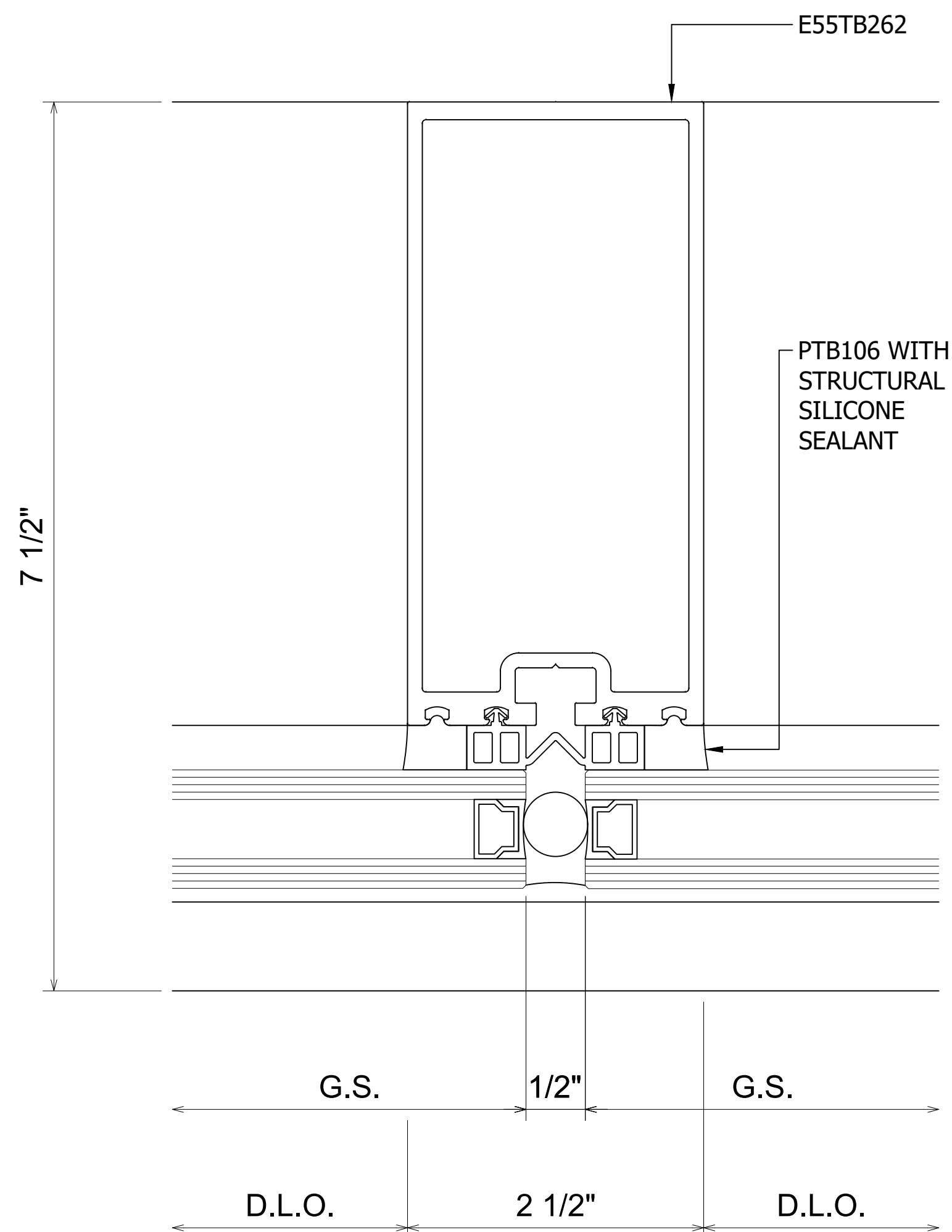
ALEXANDER METALS INC.
 ARCHITECTURAL PRODUCT SPECIALISTS
 1070 GLENN AVENUE, NASHVILLE, TENNESSEE 37203
 PHONE: (615) 256-9070 FAX: (615) 256-9623
 www.AlexanderMetalsInc.com



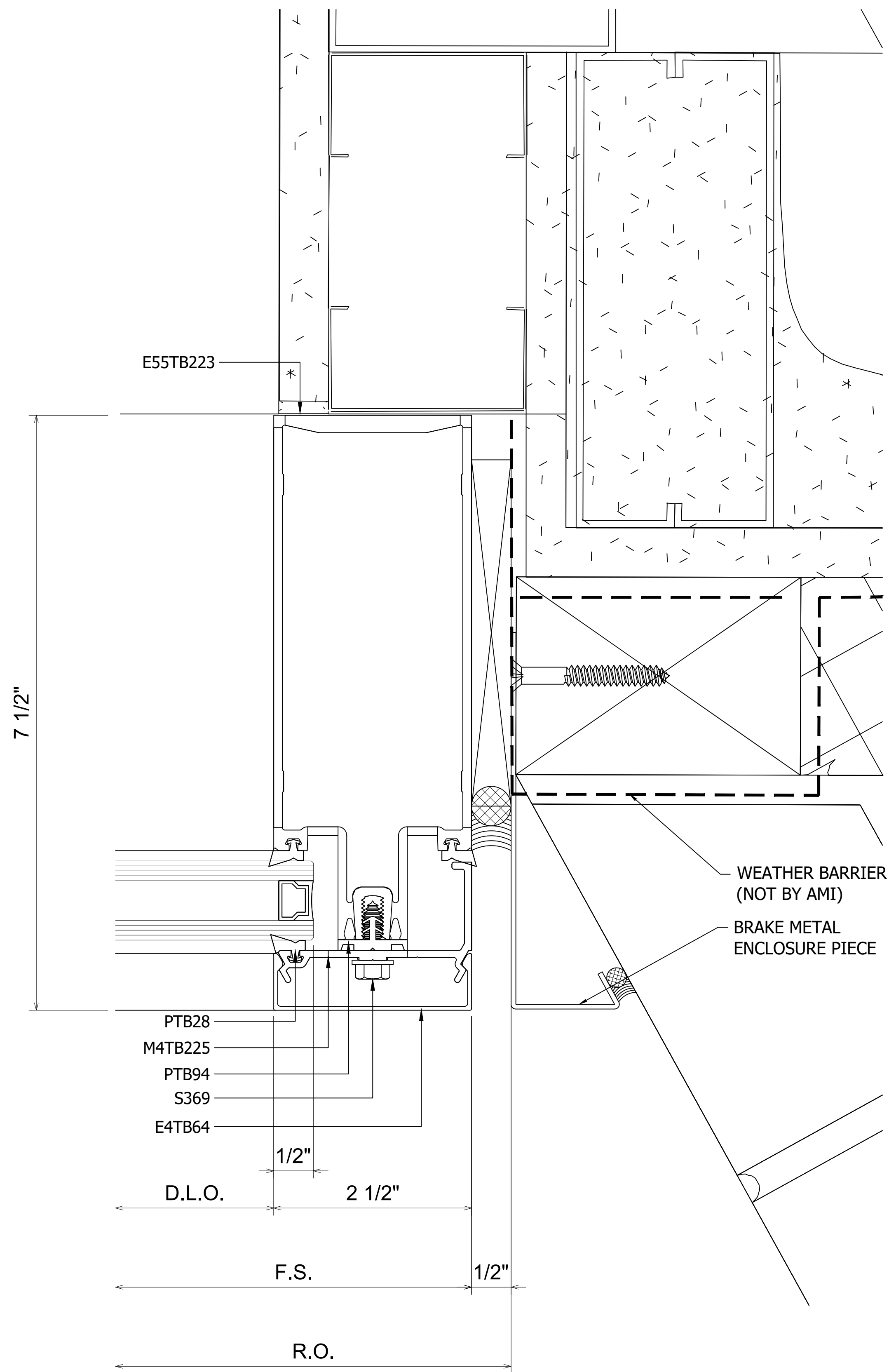
NO.	DATE	REVISION
4.1	01.02.22	THIRD SUBMITTAL (INTERIOR REVISIONS)
5.1	03.31.22	FOURTH SUBMITTAL (INTERIOR REVISIONS)
6.1	06.15.22	FIFTH SUBMITTAL (CURTAINWALL FIELD MEASUREMENTS)
6.2	06.20.22	SIXTH SUBMITTAL (CURTAINWALL FIELD MEASUREMENTS)
6.3	06.22.22	SEVENTH SUBMITTAL (CURTAINWALL FIELD MEASUREMENTS)
6.4	08.30.22	EIGHTH SUBMITTAL (INTERIOR STOREFRONT FIELD MEASUREMENTS)

BY: CCW
 JOB NO.: 4047
 REV. NO.:

SHEET NO.:
1024

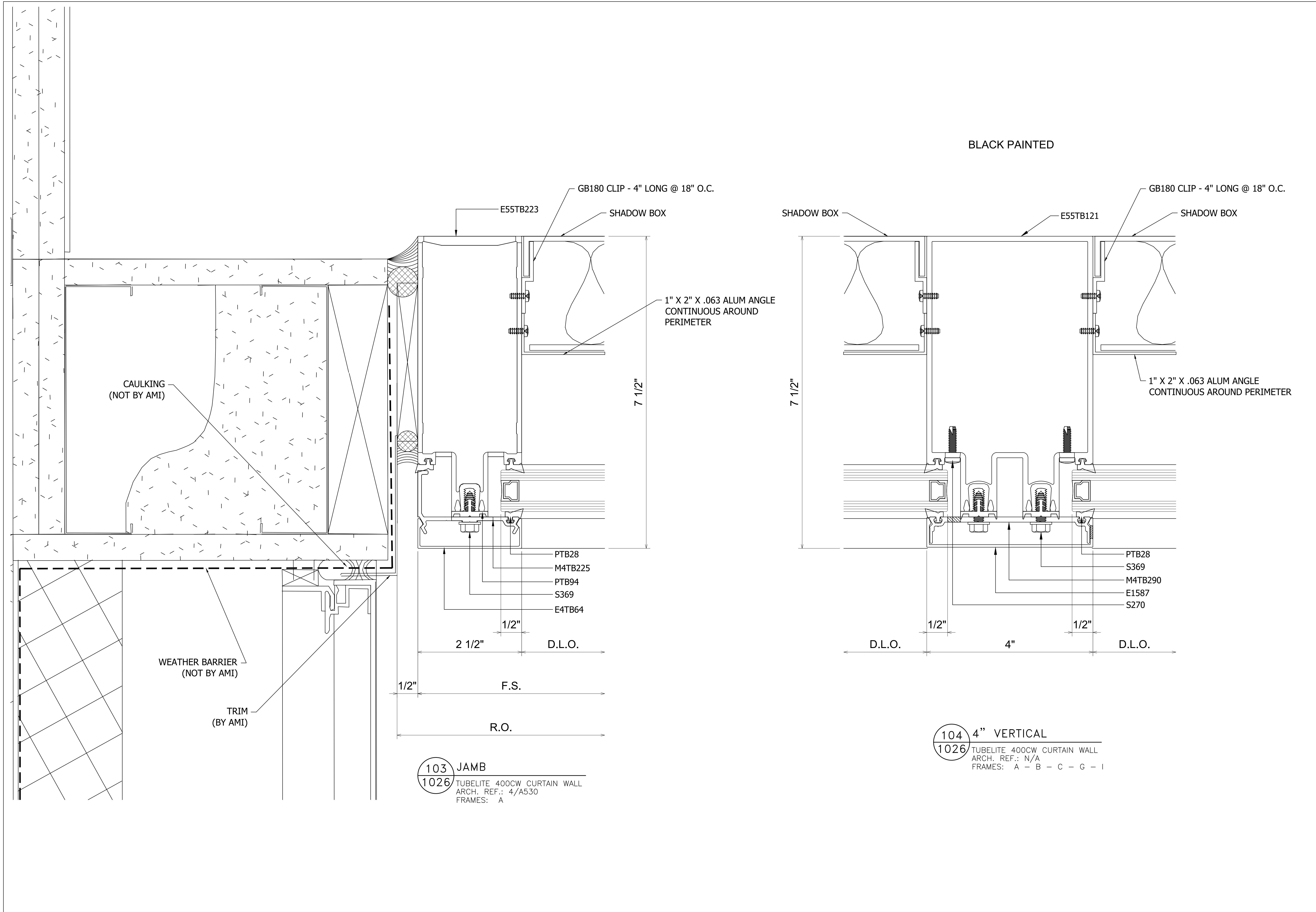


101 TYPICAL VERTICAL
1025 TUBELITE 400CW CURTAIN WALL
 ARCH. REF.: N/A
 FRAMES: A - B - D - E - F
 G - I - J - K - L



102 JAMB
1025 TUBELITE 400CW CURTAIN WALL
 ARCH. REF.: 1/A530
 FRAMES: A

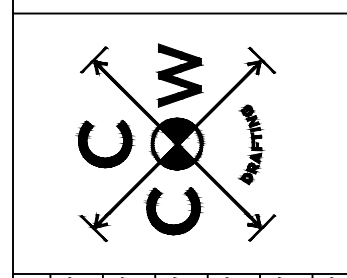
SHEET NO.:		1025	
SCALE:		N.T.S.	
SCOPE:		ALUMINUM CURTAINWALL & STOREFRONT	
PROJECT:		NASHVILLE SC TRAINING FACILITY 4251 CENTURY FARMS TERRACE NASHVILLE, TN 37013	
ARCHITECT:		ALEXANDER METALS INC. ARCHITECTURAL PRODUCT SPECIALISTS 1070 GLENN AVENUE, NASHVILLE, TENNESSEE 37203 PHONE: (615) 256-9070 FAX: (615) 256-9623 www.AlexanderMetalsInc.com	
BY:			
NO.	DATE	SUBMITTAL / REVISION	BY
4.1	02.02.22	THIRD SUBMITTAL (INTERIOR REVISIONS)	CCW
5.1	03.31.22	FOURTH SUBMITTAL (INTERIOR REVISIONS)	CCW
6.1	06.15.22	FIFTH SUBMITTAL (CURTAINWALL FIELD MEASUREMENTS)	CCW
6.2	06.20.22	SIXTH SUBMITTAL (CURTAINWALL FIELD MEASUREMENTS)	CCW
6.3	06.22.22	SEVENTH SUBMITTAL (CURTAINWALL FIELD MEASUREMENTS)	CCW
6.4	08.30.22	EIGHTH SUBMITTAL (INTERIOR STOREFRONT FIELD MEASUREMENTS)	CCW
JOB NO.		4047	
REV. NO.			
SHEET NO.:		1025	



103 JAMB
 1026 TUBELITE 400CW CURTAIN WALL
 ARCH. REF.: 4/A530
 FRAMES: A

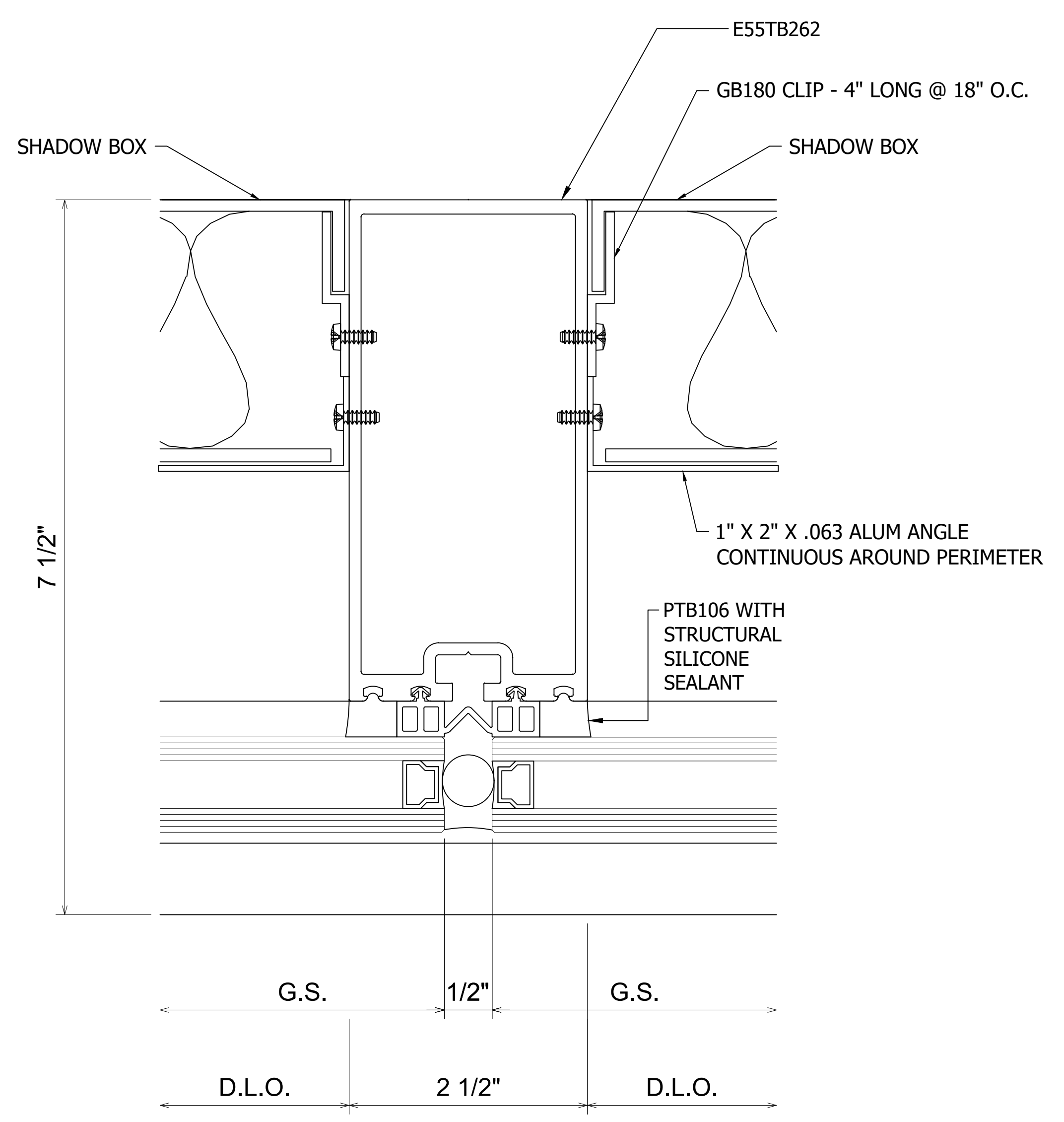
104 4" VERTICAL
 1026 TUBELITE 400CW CURTAIN WALL
 ARCH. REF.: N/A
 FRAMES: A - B - C - G - I

SHEET NO.:		1026	
SCALE:		N.T.S.	
SCOPE:		ALUMINUM CURTAINWALL & STOREFRONT	
PROJECT:		NASHVILLE SC TRAINING FACILITY 4251 CENTURY FARMS TERRACE NASHVILLE, TN 37013	
ARCHITECT:		ALEXANDER METALS INC. ARCHITECTURAL PRODUCT SPECIALISTS 1070 GLENN AVENUE, NASHVILLE, TENNESSEE 37203 PHONE: (615) 258-9070 FAX: (615) 258-9823 www.AlexanderMetalsInc.com	
BY:		CCW	
NO.	DATE	SUBMITTAL / REVISION	REVISION
4.1	02/22	THIRD SUBMITTAL (INTERIOR REVISIONS)	CCW
5.1	03/31	FOURTH SUBMITTAL (INTERIOR REVISIONS)	CCW
6.1	06/15/22	FIFTH SUBMITTAL (CURTAINWALL FIELD MEASUREMENTS)	CCW
6.2	06/20/22	SIXTH SUBMITTAL (CURTAINWALL FIELD MEASUREMENTS)	CCW
6.3	06/22/22	SEVENTH SUBMITTAL (CURTAINWALL FIELD MEASUREMENTS)	CCW
6.4	08/30/22	EIGHTH SUBMITTAL (INTERIOR STOREFRONT FIELD MEASUREMENTS)	CCW
JOB NO.		4047	
REV. NO.			
SHEET NO.:		1026	

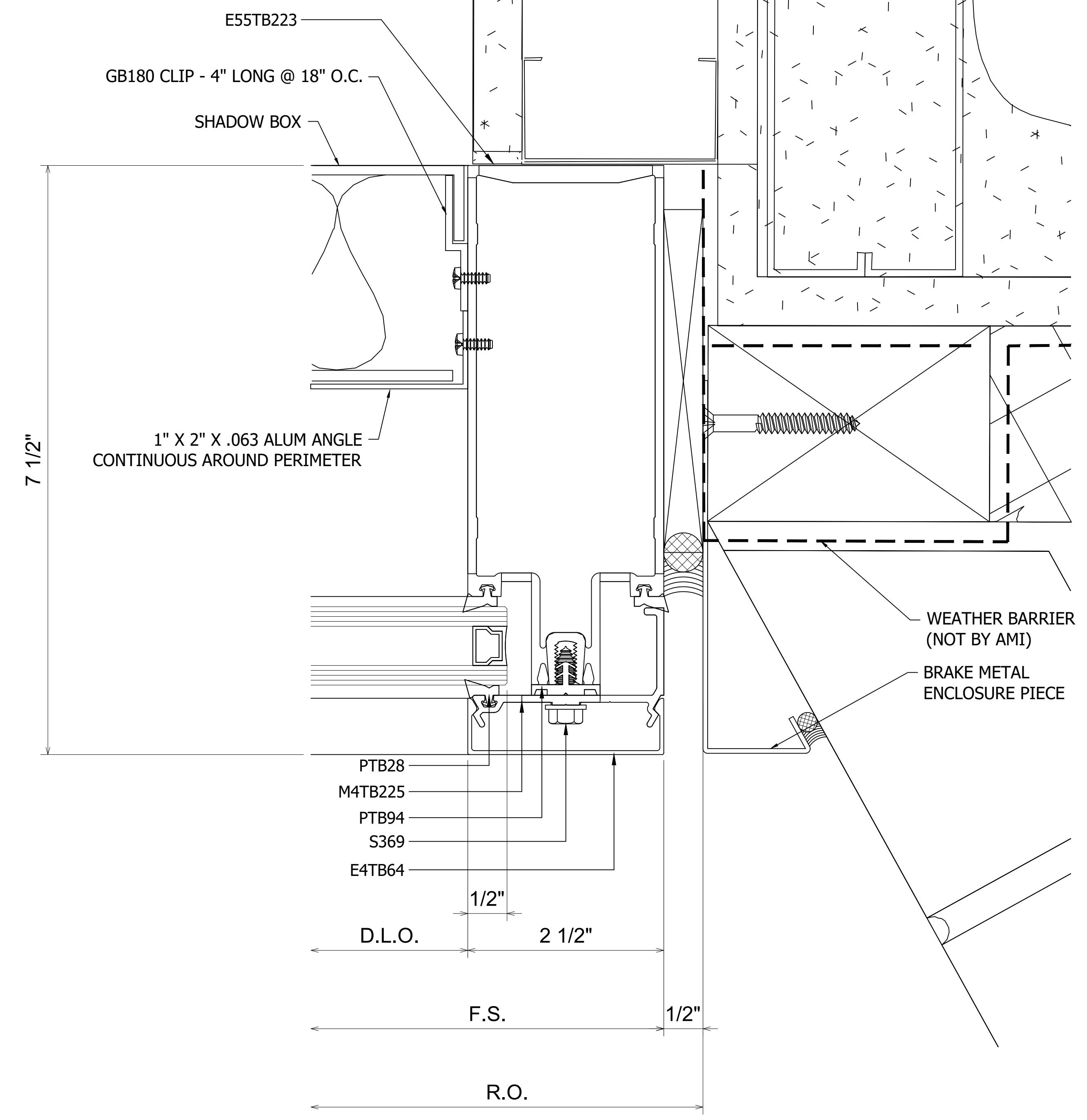


NO.	DATE	REVISION	BY
4.1	02/22	THIRD SUBMITTAL (INTERIOR REVISIONS)	CCW
5.1	03/12	FOURTH SUBMITTAL (INTERIOR REVISIONS)	CCW
6.1	06/15/22	FIFTH SUBMITTAL (CURTAINWALL FIELD MEASUREMENTS)	CCW
6.2	06/20/22	SIXTH SUBMITTAL (CURTAINWALL FIELD MEASUREMENTS)	CCW
6.3	06/22/22	SEVENTH SUBMITTAL (CURTAINWALL FIELD MEASUREMENTS)	CCW
6.4	08/30/22	EIGHTH SUBMITTAL (INTERIOR STOREFRONT FIELD MEASUREMENTS)	CCW

REV. NO. 4047



105 TYPICAL VERTICAL
1027 TUBELITE 400CW CURTAIN WALL
ARCH. REF.: N/A
FRAMES: A - B - D - G - I

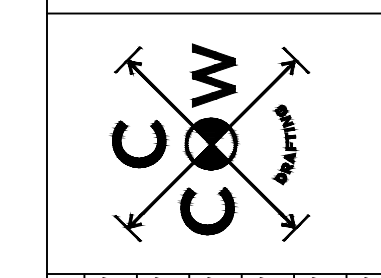


106 JAMB
1027 TUBELITE 400CW CURTAIN WALL
ARCH. REF.: 1/A530
FRAMES: A

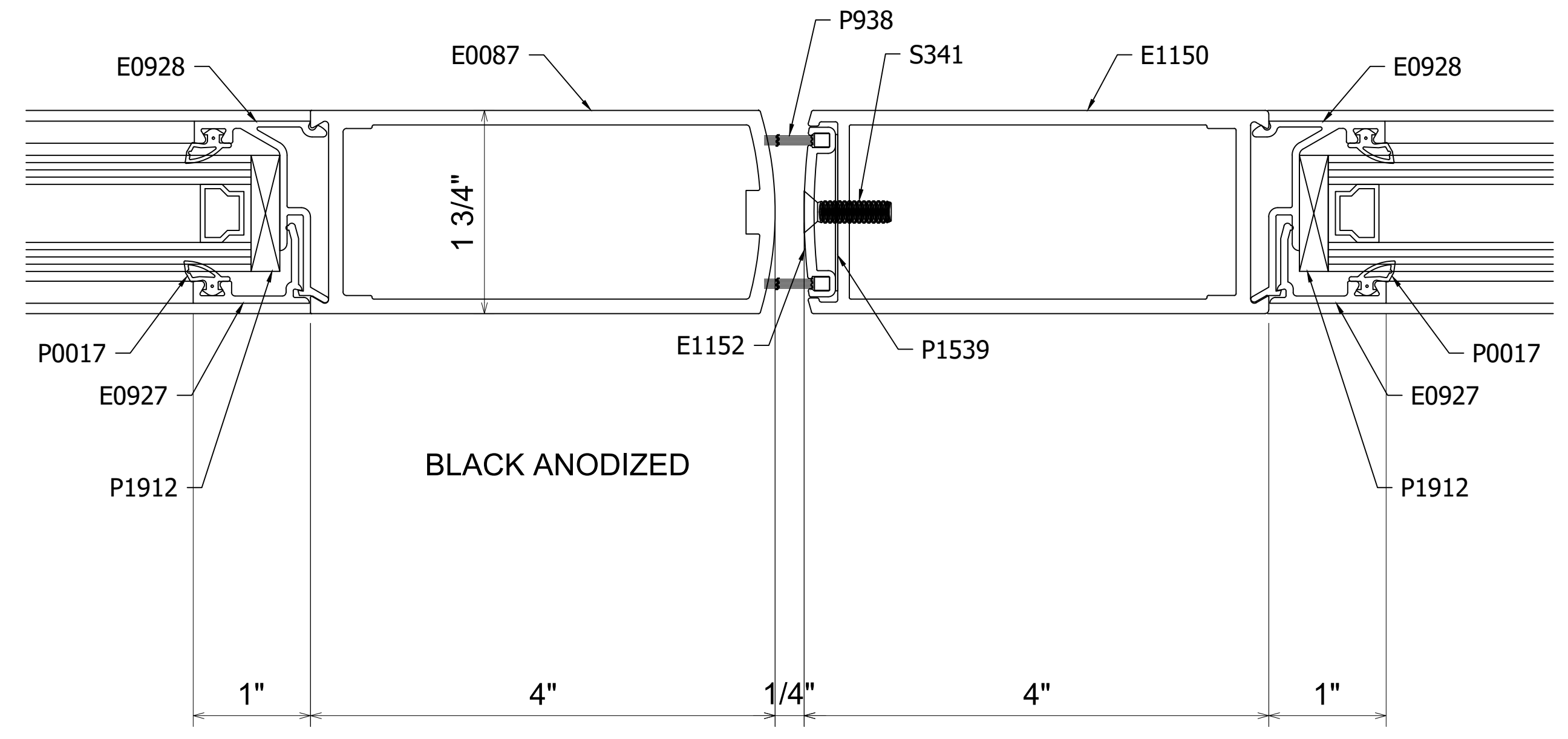
SCOPE:
ALUMINUM
CURTAINWALL &
STOREFRONT

PROJECT:
NASHVILLE SC TRAINING FACILITY
4251 CENTURY FARMS TERRACE
NASHVILLE, TN 37013

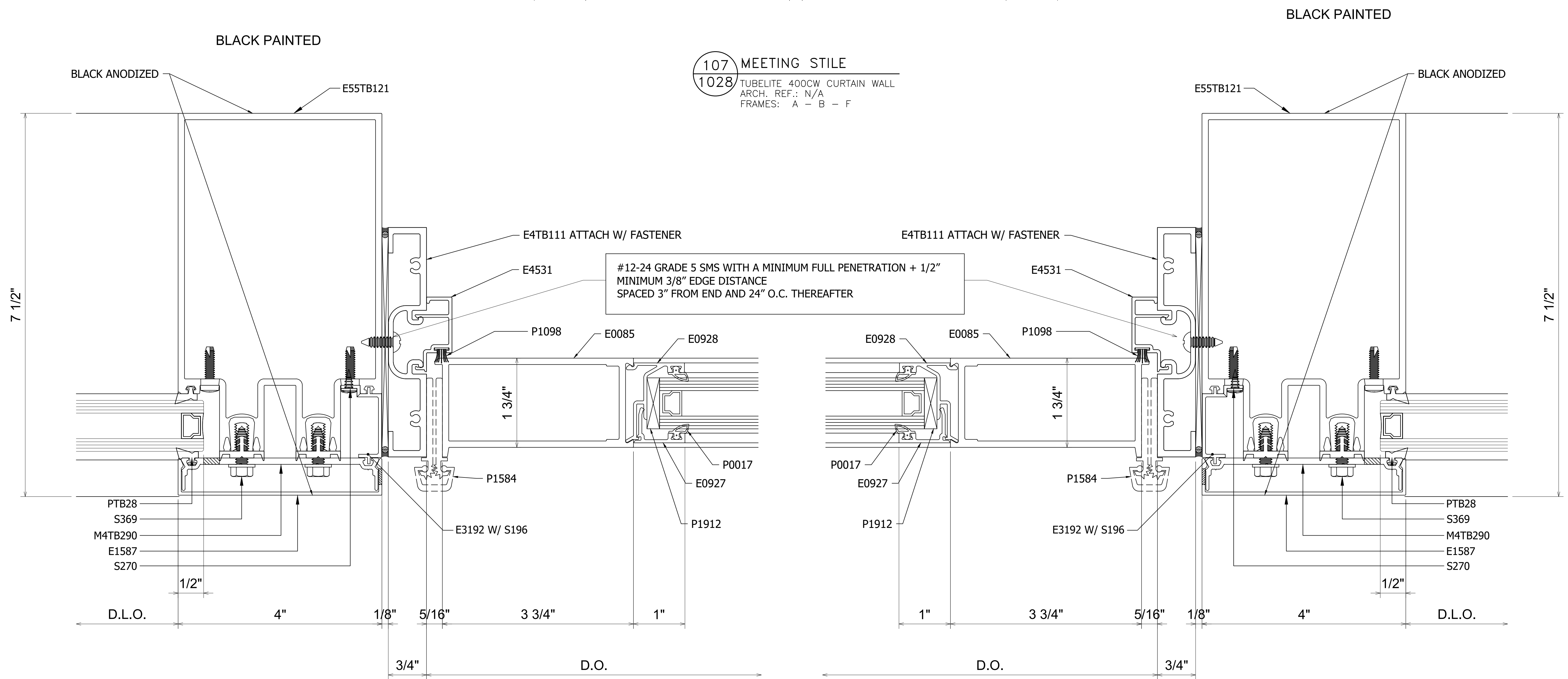
ALEXANDER METALS INC.
ARCHITECTURAL PRODUCT SPECIALISTS
10705 BELLEVILLE AVENUE, NASHVILLE, TN 37210
PHONE: (615) 256-9070 FAX: (615) 256-9023
www.AlexanderMetalsInc.com



NO.	DATE	REVISION
4.1	02/22	THIRD SUBMITTAL (INTERIOR REVISIONS)
5.1	03/12	FOURTH SUBMITTAL (INTERIOR REVISIONS)
6.1	06/15/22	FIFTH SUBMITTAL (CURTAINWALL FIELD MEASUREMENTS)
6.2	06/20/22	SIXTH SUBMITTAL (CURTAINWALL FIELD MEASUREMENTS)
6.3	06/22/22	SEVENTH SUBMITTAL (CURTAINWALL FIELD MEASUREMENTS)
6.4	08/30/22	EIGHTH SUBMITTAL (INTERIOR STOREFRONT FIELD MEASUREMENTS)

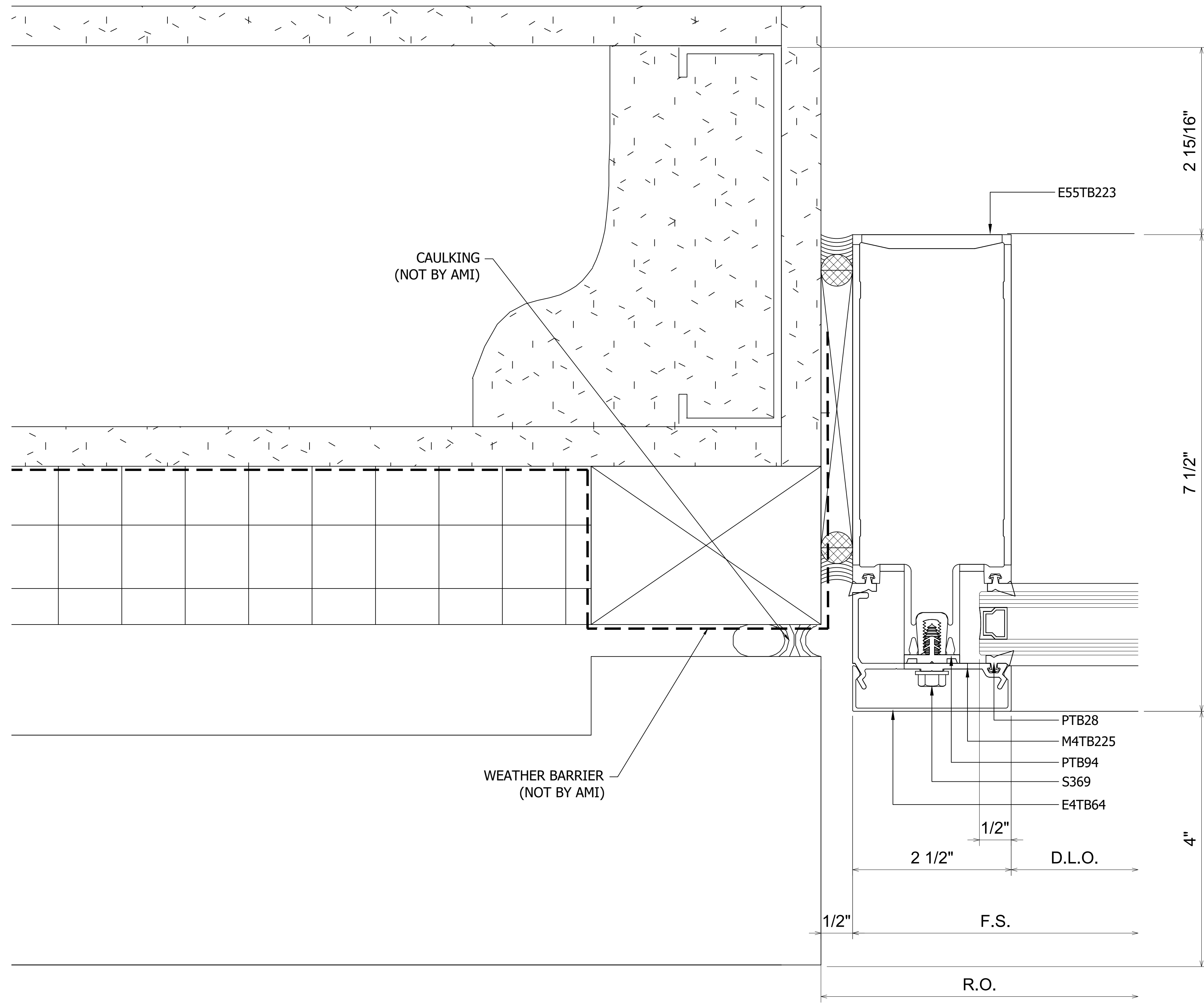


107 MEETING STILE
1028 TUBELITE 400CW CURTAIN WALL
ARCH. REF.: N/A
FRAMES: A - B - F



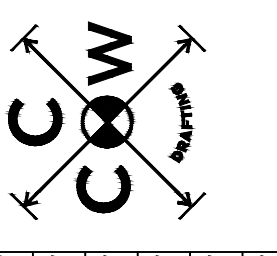
108 DOOR STILE
1028 TUBELITE 400CW CURTAIN WALL
ARCH. REF.: N/A
FRAMES: A - B - F - G - I

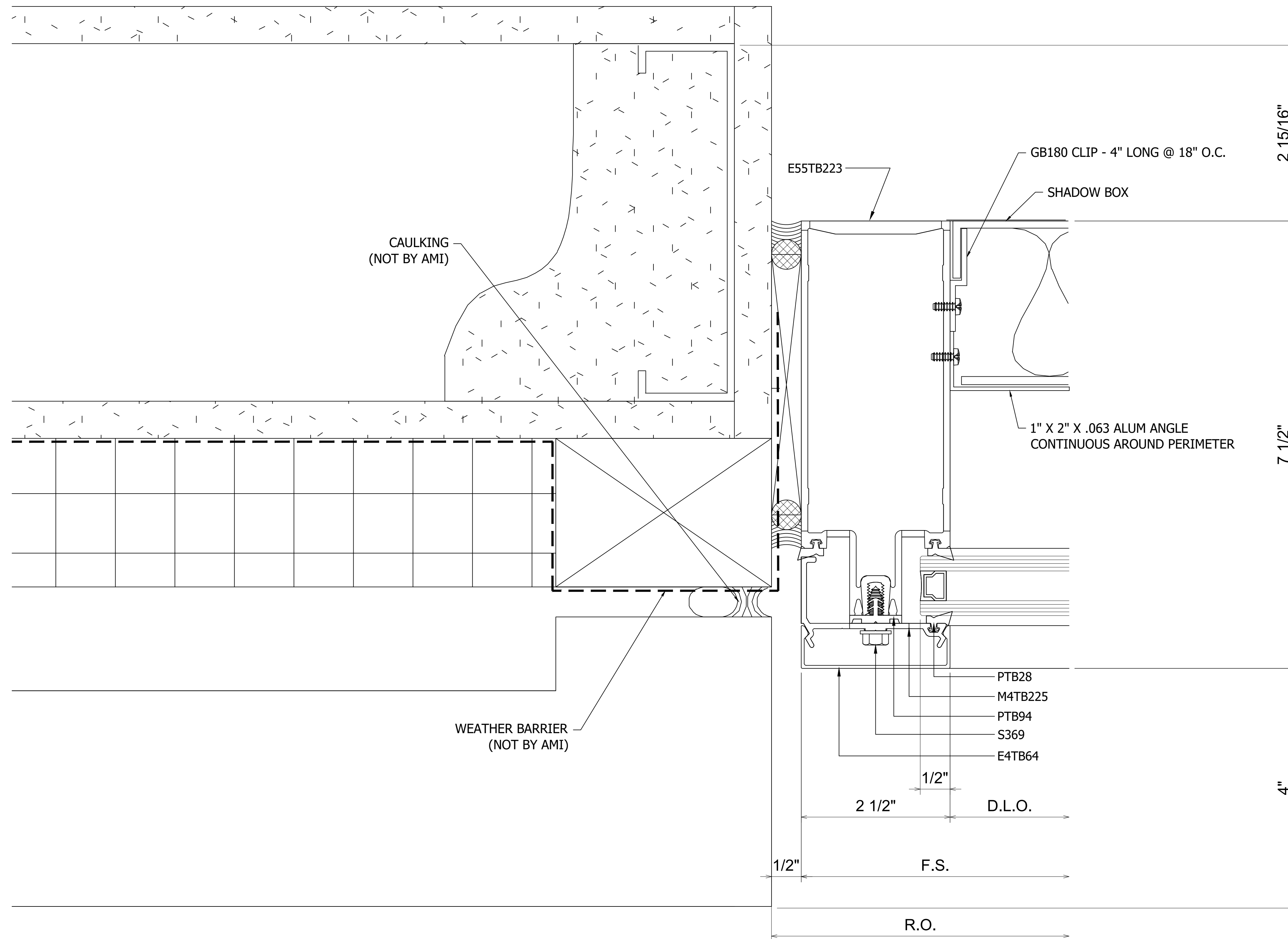
109 DOOR STILE
1028 TUBELITE 400CW CURTAIN WALL
ARCH. REF.: N/A
FRAMES: A - B - G



110 JAMB
 1029 TUBELITE 400CW CURTAIN WALL
 ARCH. REF.: 3/A530
 FRAMES: B - F - M

SHEET NO.:		1029	
SCALE:		N.T.S.	
SCOPE:		ALUMINUM CURTAINWALL & STOREFRONT	
PROJECT:		NASHVILLE SC TRAINING FACILITY 4251 CENTURY FARMS TERRACE NASHVILLE, TN 37013	
ARCHITECT:		ALEXANDER METALS INC. ARCHITECTURAL PRODUCT SPECIALISTS 107 CLAYTON AVENUE, TENNESSEE 37203 PHONE: (615) 258-9070 FAX: (615) 258-9223 www.AlexanderMetalsInc.com	
BY:		SUBMITTAL / REVISION	
NO.	DATE	THIRD SUBMITTAL (INTERIOR REVISIONS)	CCW
4.1	03/02/22	FOURTH SUBMITTAL (INTERIOR REVISIONS)	CCW
5.1	03/31/22	FIFTH SUBMITTAL (CURTAINWALL FIELD MEASUREMENTS)	CCW
6.1	06/15/22	SIXTH SUBMITTAL (CURTAINWALL FIELD MEASUREMENTS)	CCW
6.2	06/20/22	SEVENTH SUBMITTAL (CURTAINWALL FIELD MEASUREMENTS)	CCW
6.3	08/22/22	EIGHTH SUBMITTAL (CURTAINWALL FIELD MEASUREMENTS)	CCW
6.4	08/30/22	EIGHTH SUBMITTAL (INTERIOR STOREFRONT FIELD MEASUREMENTS)	CCW
JOB NO.		4047	
REV. NO.			
SHEET NO.:		1029	





111 JAMB
 1030 TUBELITE 400CW CURTAIN WALL
 ARCH. REF.: 3/A530
 FRAMES: B

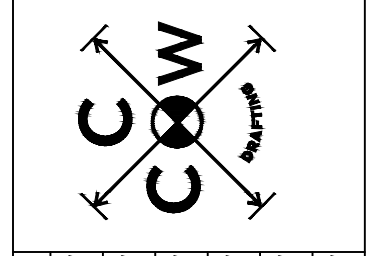
SHEET NO.:
1030

SCALE:
 N.T.S.

SCOPE:
 ALUMINUM
 CURTAINWALL &
 STOREFRONT

PROJECT:
 NASHVILLE SC TRAINING FACILITY
 4251 CENTURY FARMS TERRACE
 NASHVILLE, TN 37013

**ALEXANDER
 METALS INC.**
 ARCHITECTURAL PRODUCT SPECIALISTS
 10705 E. HAYNESVILLE, TENNESSEE 37070
 PHONE: (615) 258-9070 FAX: (615) 258-9623
 www.AlexanderMetalsInc.com



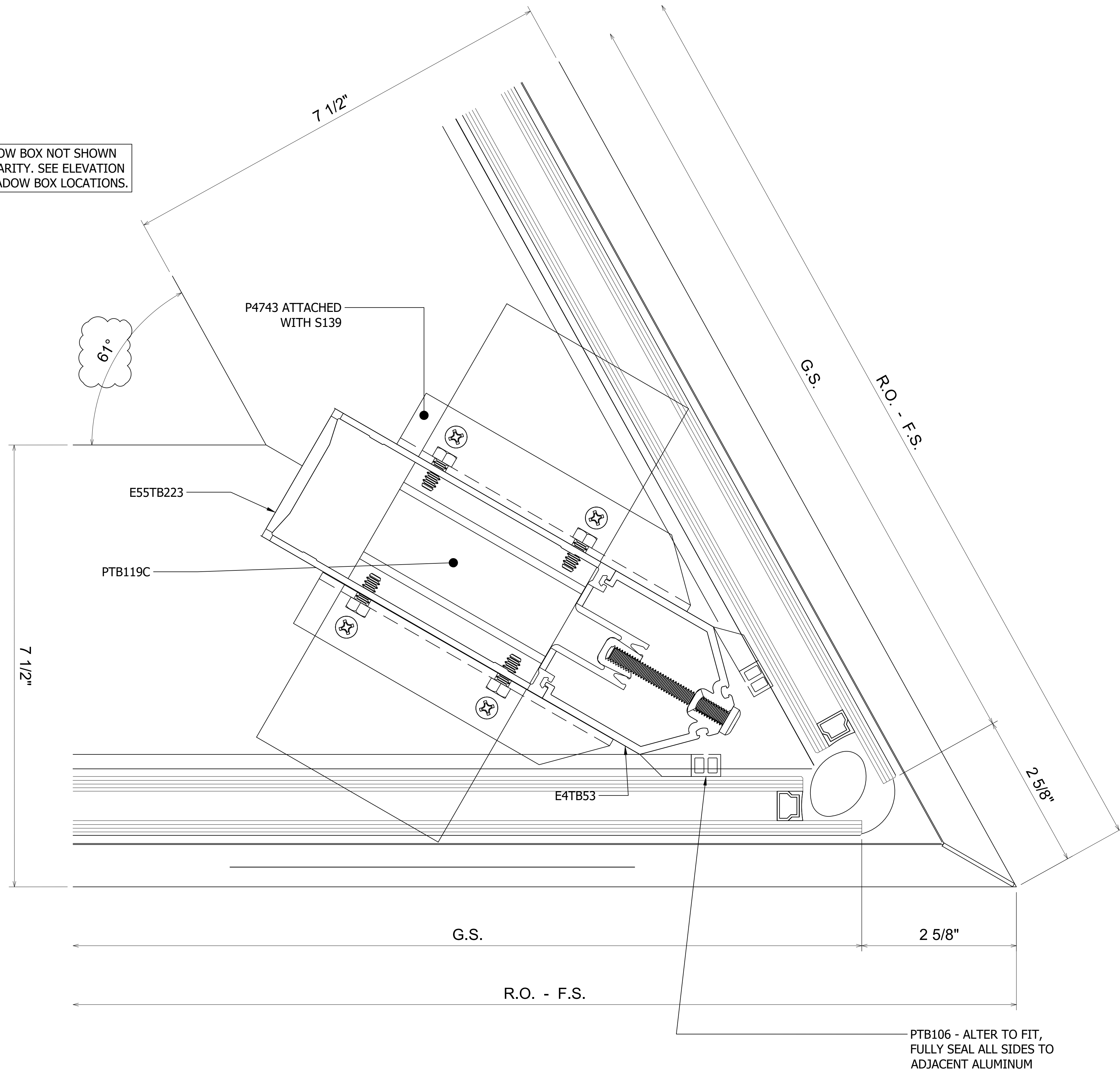
NO.	DATE	REVISION	BY
4.1	01.02.22	THIRD SUBMITTAL (INTERIOR REVISIONS)	CCW
5.1	03.31.22	FOURTH SUBMITTAL (INTERIOR REVISIONS)	CCW
6.1	06.15.22	FIFTH SUBMITTAL (CURTAINWALL FIELD MEASUREMENTS)	CCW
6.2	06.20.22	SIXTH SUBMITTAL (CURTAINWALL FIELD MEASUREMENTS)	CCW
6.3	08.22.22	SEVENTH SUBMITTAL (CURTAINWALL FIELD MEASUREMENTS)	CCW
6.4	08.30.22	EIGHTH SUBMITTAL (INTERIOR STOREFRONT FIELD MEASUREMENTS)	CCW

JOB NO. 4047

REV. NO.

SHEET NO.:
1030

SHADOW BOX NOT SHOWN FOR CLARITY. SEE ELEVATION FOR SHADOW BOX LOCATIONS.



112 CORNER
 1031 TUBELITE 400CW CURTAIN WALL
 ARCH. REF.: N/A
 FRAMES: B

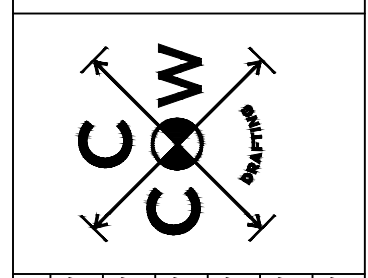
SHEET NO.:
1031

SCALE:
 N.T.S.

SCOPE:
 ALUMINUM CURTAINWALL & STOREFRONT

PROJECT:
 NASHVILLE SC TRAINING FACILITY
 4251 CENTURY FARMS TERRACE
 NASHVILLE, TN 37013

ALEXANDER METALS INC.
 ARCHITECTURAL PRODUCT SPECIALISTS
 10705 GLENNDALE TERNESSE, #210
 NASHVILLE, TN 37217
 PHONE: (615) 258-9070 FAX: (615) 258-9023
 www.AlexanderMetalsInc.com

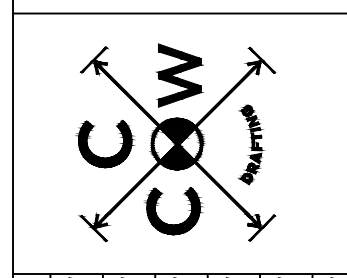


NO.	DATE	REVISION	BY
4.1	03.02.22	THIRD SUBMITTAL (INTERIOR REVISIONS)	CCW
5.1	03.31.22	FOURTH SUBMITTAL (INTERIOR REVISIONS)	CCW
6.1	06.15.22	FIFTH SUBMITTAL (CURTAINWALL FIELD MEASUREMENTS)	CCW
6.2	06.20.22	SIXTH SUBMITTAL (CURTAINWALL FIELD MEASUREMENTS)	CCW
6.3	06.22.22	SEVENTH SUBMITTAL (CURTAINWALL FIELD MEASUREMENTS)	CCW
6.4	08.30.22	EIGHTH SUBMITTAL (INTERIOR STOREFRONT FIELD MEASUREMENTS)	CCW

JOB NO. 4047

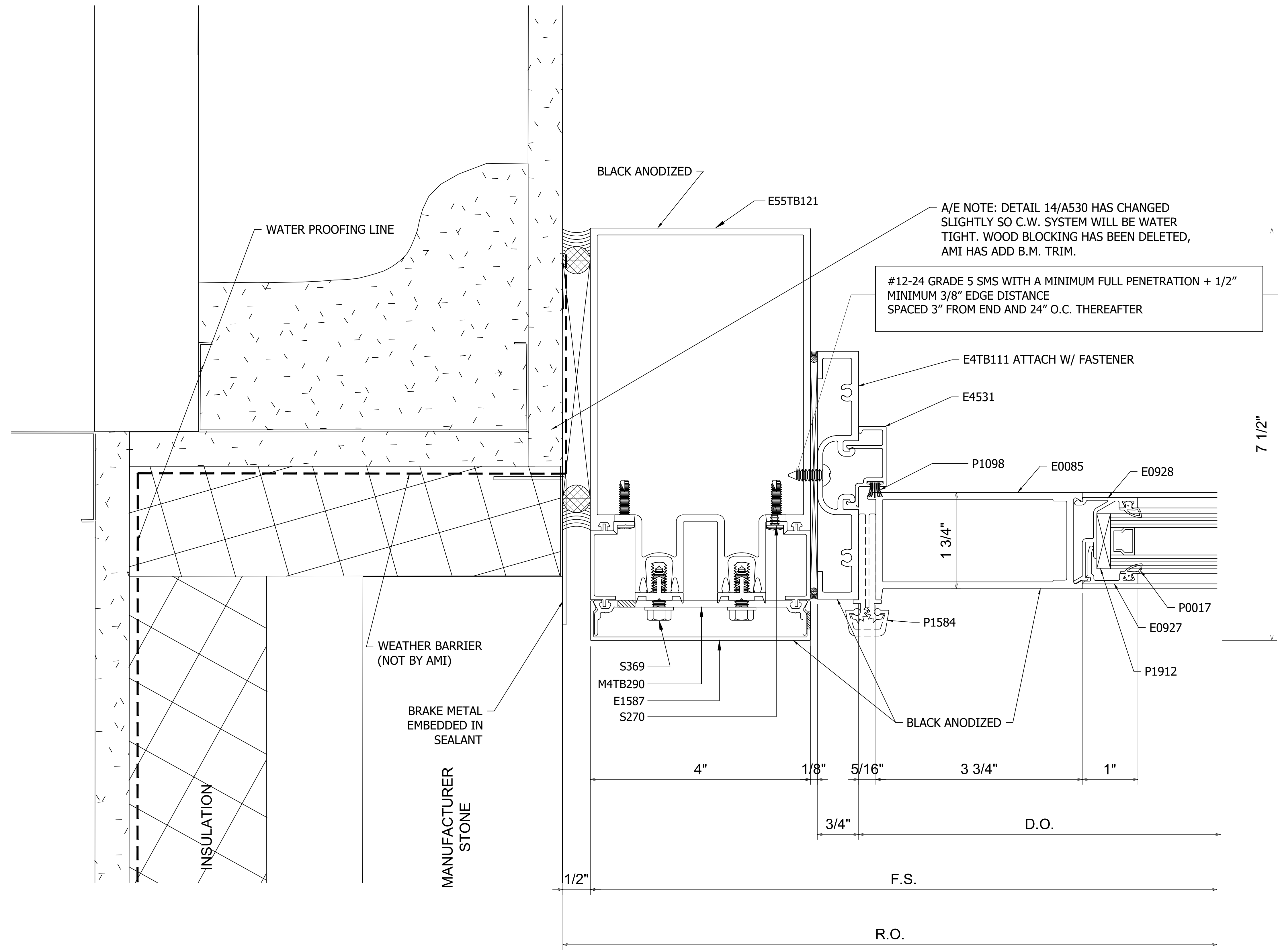
REV. NO.

SHEET NO.:
1031

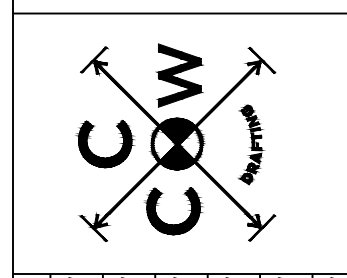


NO.	DATE	REVISION	BY
4.1	01.02.22	THIRD SUBMITTAL (INTERIOR REVISIONS)	CCW
5.1	03.31.22	FOURTH SUBMITTAL (INTERIOR REVISIONS)	CCW
6.1	06.15.22	FIFTH SUBMITTAL (CURTAINWALL FIELD MEASUREMENTS)	CCW
6.2	06.20.22	SIXTH SUBMITTAL (CURTAINWALL FIELD MEASUREMENTS)	CCW
6.3	06.22.22	SEVENTH SUBMITTAL (CURTAINWALL FIELD MEASUREMENTS)	CCW
6.4	08.30.22	EIGHTH SUBMITTAL (INTERIOR STOREFRONT FIELD MEASUREMENTS)	CCW

REV. NO. 4047



113 DOOR JAMB
1032 TUBELITE 400CW CURTAIN WALL
ARCH. REF.: N/A
FRAMES: C

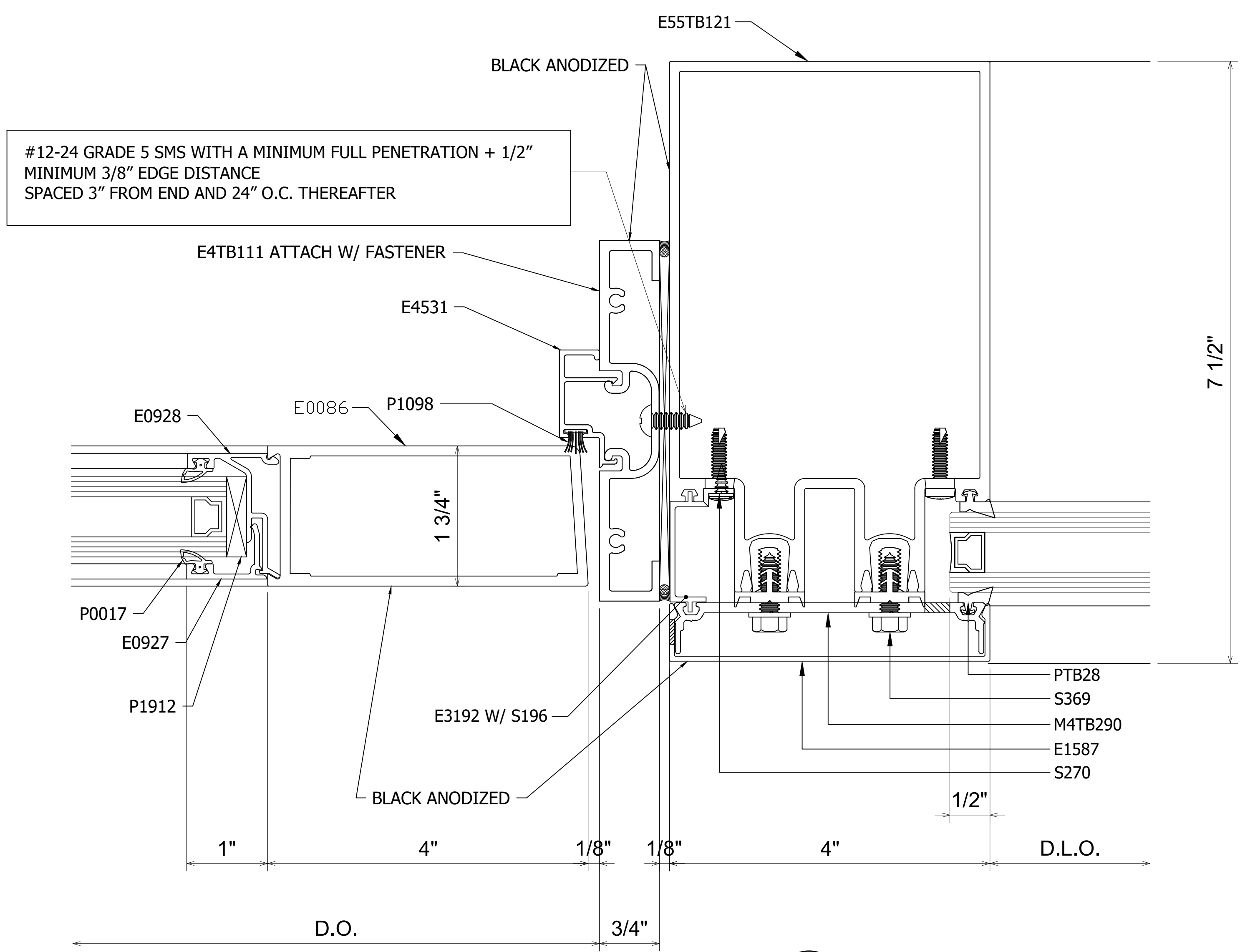


BY: CCW

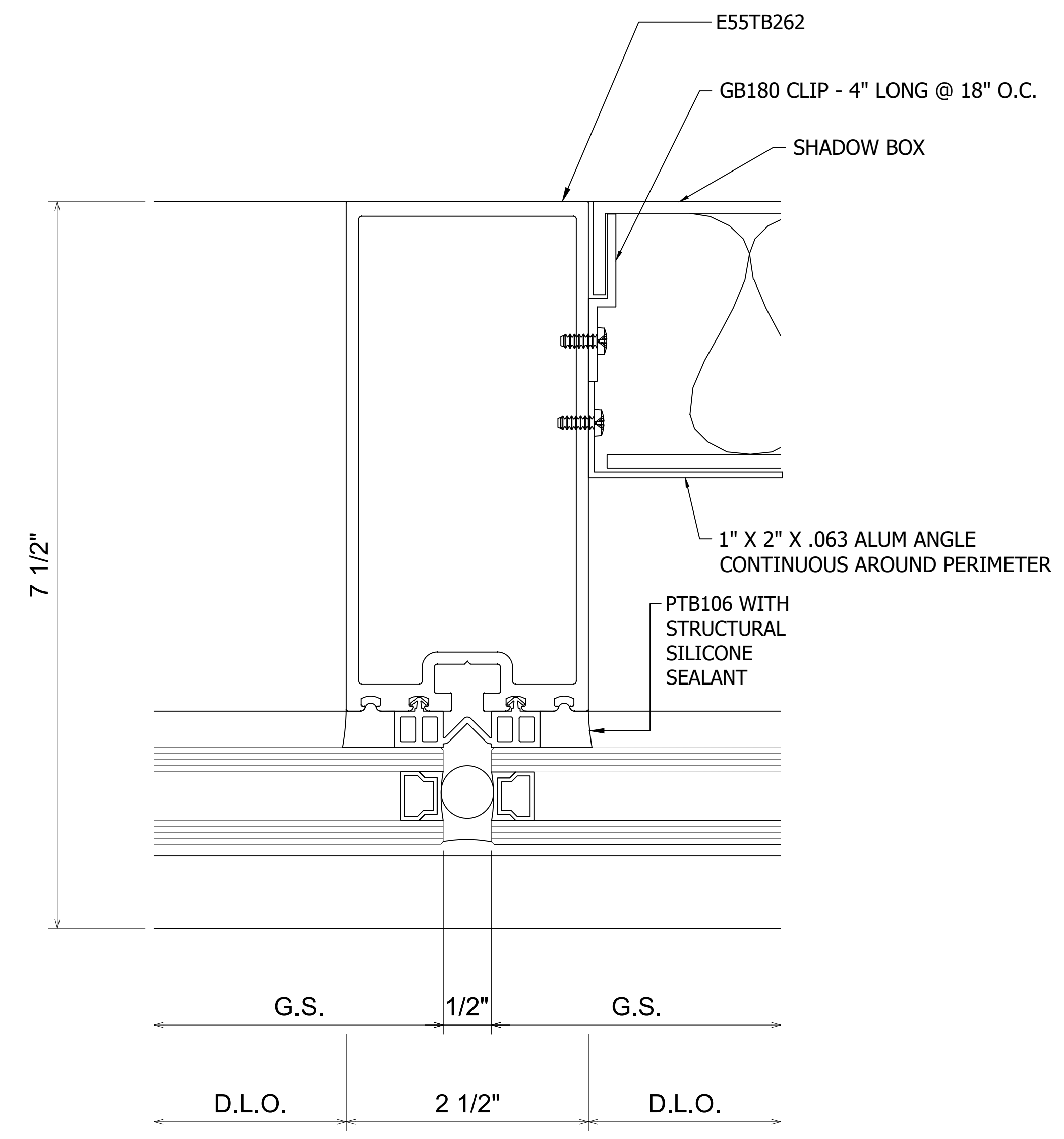
NO.	DATE	REVISION
4.1	02/22	THIRD SUBMITTAL (INTERIOR REVISIONS)
5.1	03/31/22	FOURTH SUBMITTAL (INTERIOR REVISIONS)
6.1	06/15/22	FIFTH SUBMITTAL (CURTAINWALL FIELD MEASUREMENTS)
6.2	06/20/22	SIXTH SUBMITTAL (CURTAINWALL FIELD MEASUREMENTS)
6.3	08/22/22	SEVENTH SUBMITTAL (CURTAINWALL FIELD MEASUREMENTS)
6.4	08/30/22	EIGHTH SUBMITTAL (INTERIOR STOREFRONT FIELD MEASUREMENTS)

JOB NO. 4047
REV. NO.

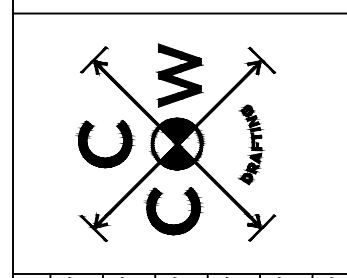
BLACK PAINTED



114 DOOR STILE
1033 TUBELITE 400CW CURTAIN WALL
ARCH. REF.: N/A
FRAMES: C - G - I

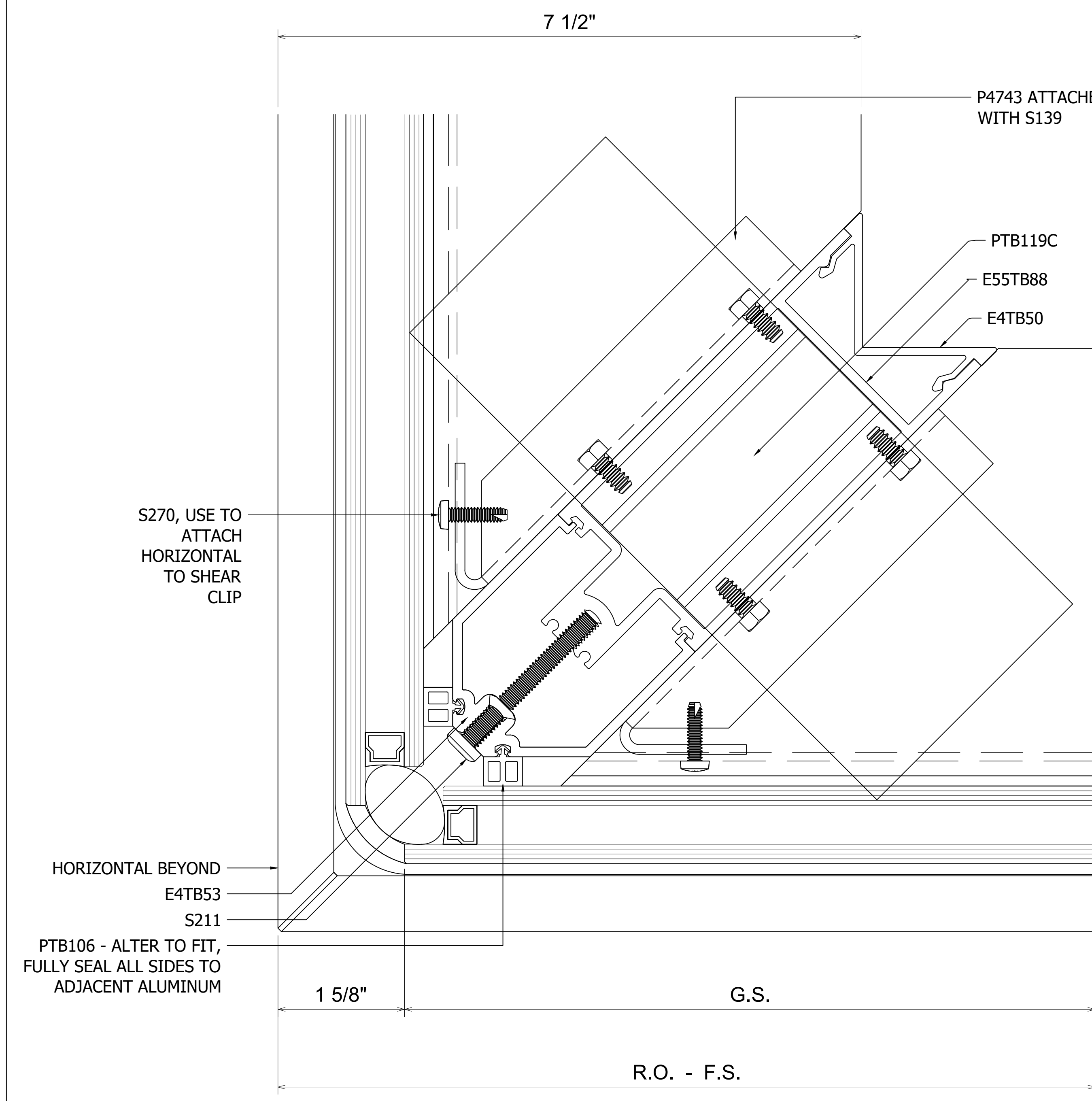


115 TYPICAL VERTICAL
1033 TUBELITE 400CW CURTAIN WALL
ARCH. REF.: N/A
FRAMES: D



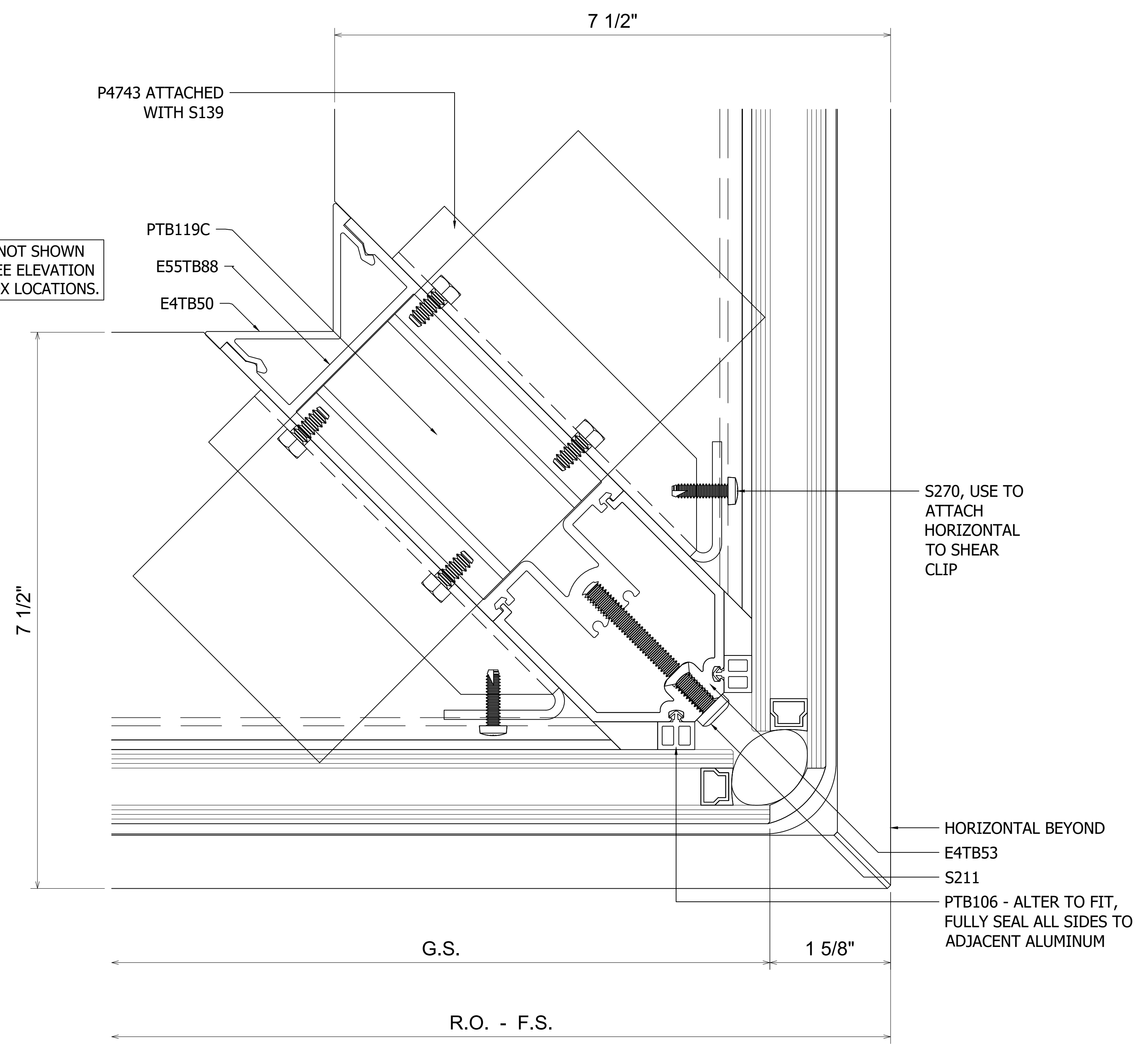
NO.	DATE	REVISION
4.1	02/22	THIRD SUBMITTAL (INTERIOR REVISIONS)
5.1	03/31/22	FOURTH SUBMITTAL (INTERIOR REVISIONS)
6.1	06/15/22	FIFTH SUBMITTAL (CURTAINWALL FIELD MEASUREMENTS)
6.2	06/20/22	SIXTH SUBMITTAL (CURTAINWALL FIELD MEASUREMENTS)
6.3	06/22/22	SEVENTH SUBMITTAL (CURTAINWALL FIELD MEASUREMENTS)
6.4	08/30/22	EIGHTH SUBMITTAL (INTERIOR STOREFRONT FIELD MEASUREMENTS)

JOB NO.	4047
REV. NO.	

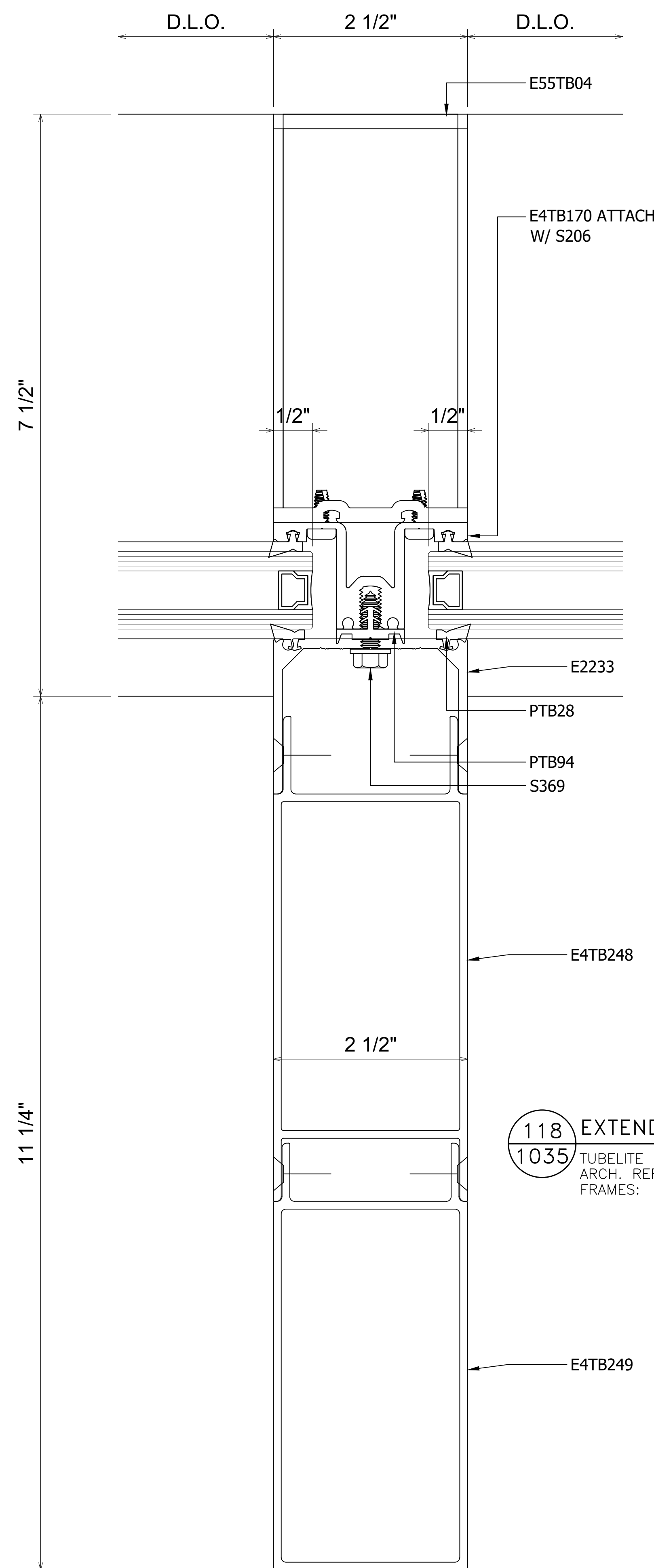


116 CORNER
1034 TUBELITE 400CW CURTAIN WALL
ARCH. REF.: N/A
FRAMES: D - I - J

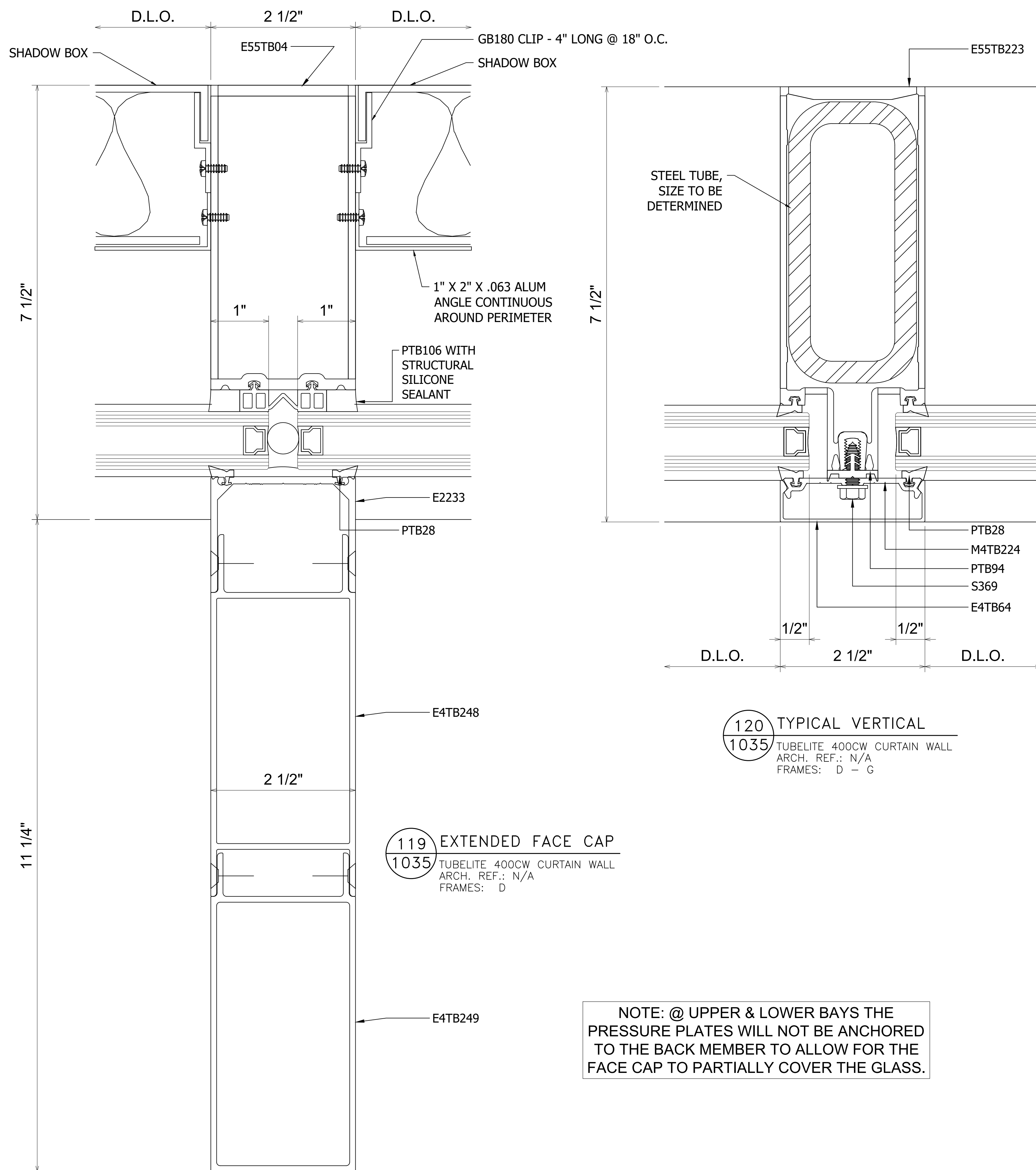
SHADOW BOX NOT SHOWN FOR CLARITY. SEE ELEVATION FOR SHADOW BOX LOCATIONS.



117 CORNER
1034 TUBELITE 400CW CURTAIN WALL
ARCH. REF.: N/A
FRAMES: C - D - H - I

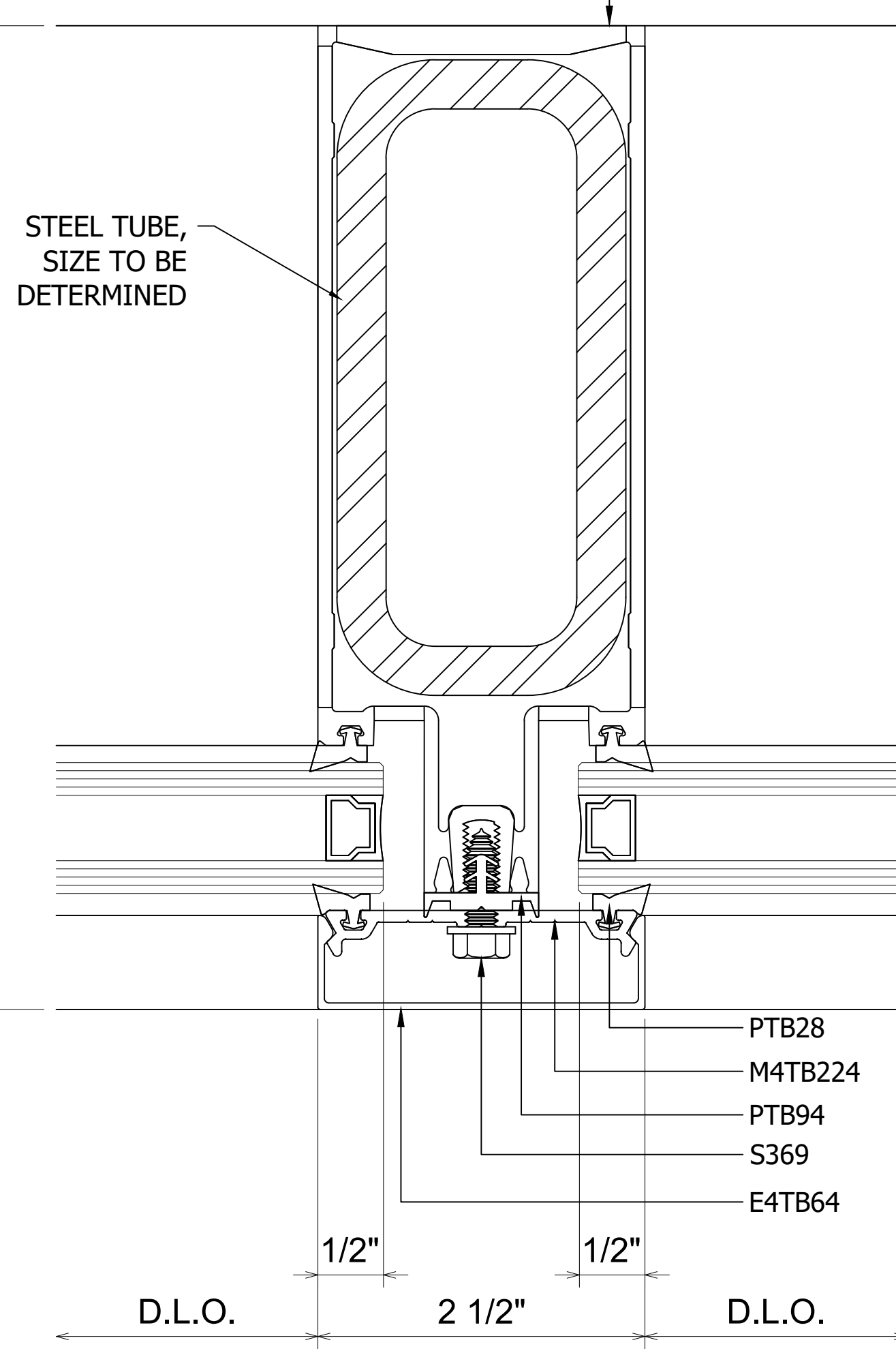


118 EXTENDED FACE CAP
 1035 TUBELITE 400CW CURTAIN WALL
 ARCH. REF.: N/A
 FRAMES: D



119 EXTENDED FACE CAP
 1035 TUBELITE 400CW CURTAIN WALL
 ARCH. REF.: N/A
 FRAMES: D

NOTE: @ UPPER & LOWER BAYS THE PRESSURE PLATES WILL NOT BE ANCHORED TO THE BACK MEMBER TO ALLOW FOR THE FACE CAP TO PARTIALLY COVER THE GLASS.



120 TYPICAL VERTICAL
 1035 TUBELITE 400CW CURTAIN WALL
 ARCH. REF.: N/A
 FRAMES: D - G

SHEET NO.: **1035**
 SCALE: N.T.S.
 SCOPE: ALUMINUM CURTAINWALL & STOREFRONT
 PROJECT: NASHVILLE SC TRAINING FACILITY
 4251 CENTURY FARMS TERRACE
 NASHVILLE, TN 37013
 ALEXANDER METALS INC. ARCHITECTURAL PRODUCT SPECIALISTS
 10705 GLENNDALE TERRACE, SUITE 2700
 NASHVILLE, TN 37217
 PHONE: (615) 258-9070 FAX: (615) 258-9623
 www.AlexanderMetalsInc.com
 BY: CCW
 SUBMITTAL / REVISION

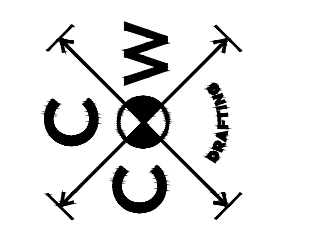
NO.	DATE	REVISION
4.1	03.02.22	THIRD SUBMITTAL (INTERIOR REVISIONS)
5.1	03.31.22	FOURTH SUBMITTAL (INTERIOR REVISIONS)
6.1	06.15.22	FIFTH SUBMITTAL (CURTAINWALL FIELD MEASUREMENTS)
6.2	06.20.22	SIXTH SUBMITTAL (CURTAINWALL FIELD MEASUREMENTS)
6.3	08.22.22	SEVENTH SUBMITTAL (CURTAINWALL FIELD MEASUREMENTS)
6.4	08.30.22	EIGHTH SUBMITTAL (INTERIOR STOREFRONT FIELD MEASUREMENTS)

 NO. DATE
 4.1 03.02.22
 5.1 03.31.22
 6.1 06.15.22
 6.2 06.20.22
 6.3 08.22.22
 6.4 08.30.22
 JOB NO. 4047
 REV. NO.
 SHEET NO.: **1035**

SCOPE:
ALUMINUM
CURTAINWALL
&
STOREFRONT

PROJECT:
NASHVILLE SC TRAINING FACILITY
4251 CENTURY FARMS TERRACE
NASHVILLE, TN 37013

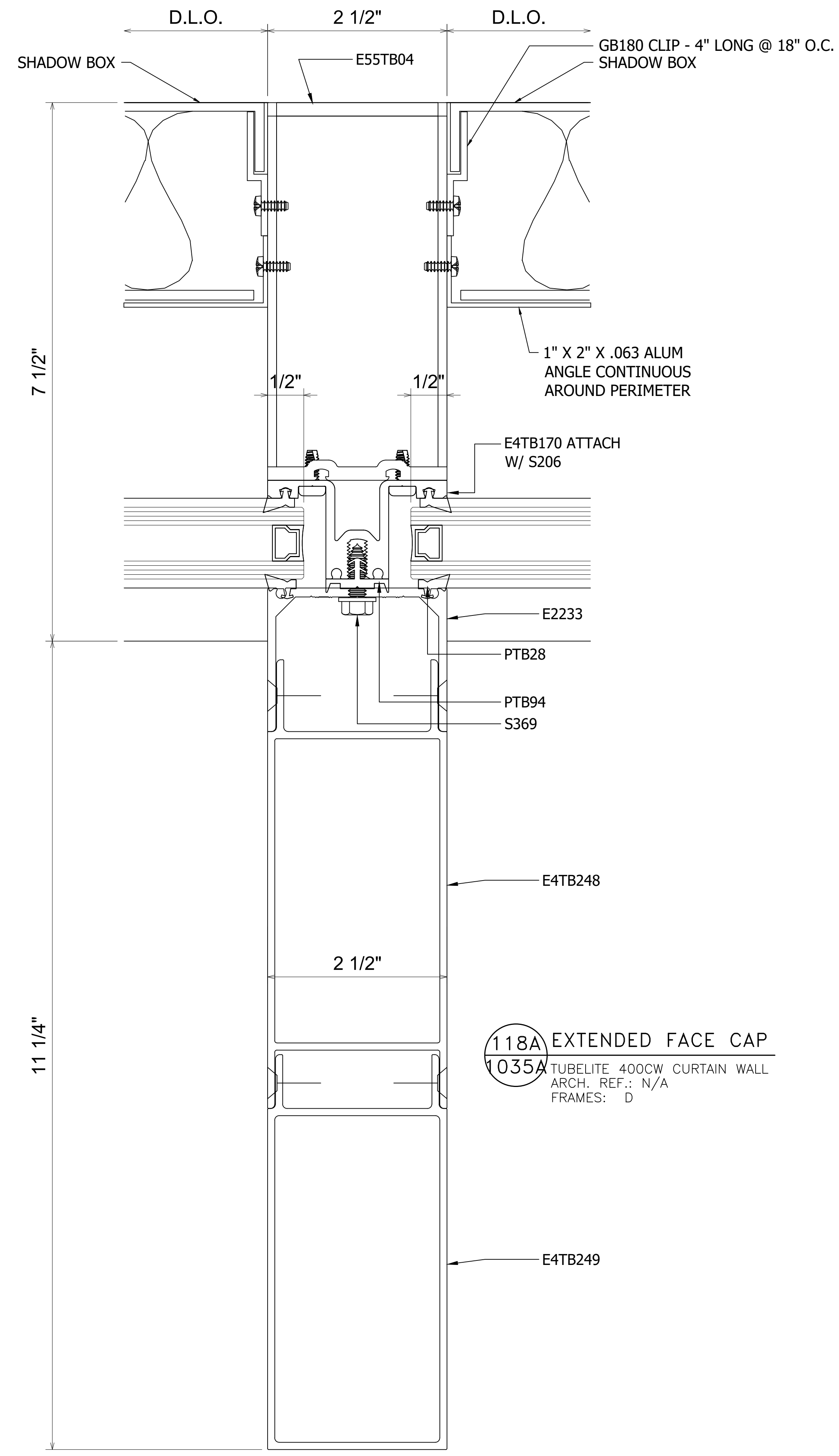
**ALEXANDER
METALS INC.**
ARCHITECTURAL PRODUCT SPECIALISTS
107 CEDAR HOLLOW DRIVE, NASHVILLE, TN 37203
PHONE: (615) 258-9070 FAX: (615) 258-9823
www.AlexanderMetalsInc.com

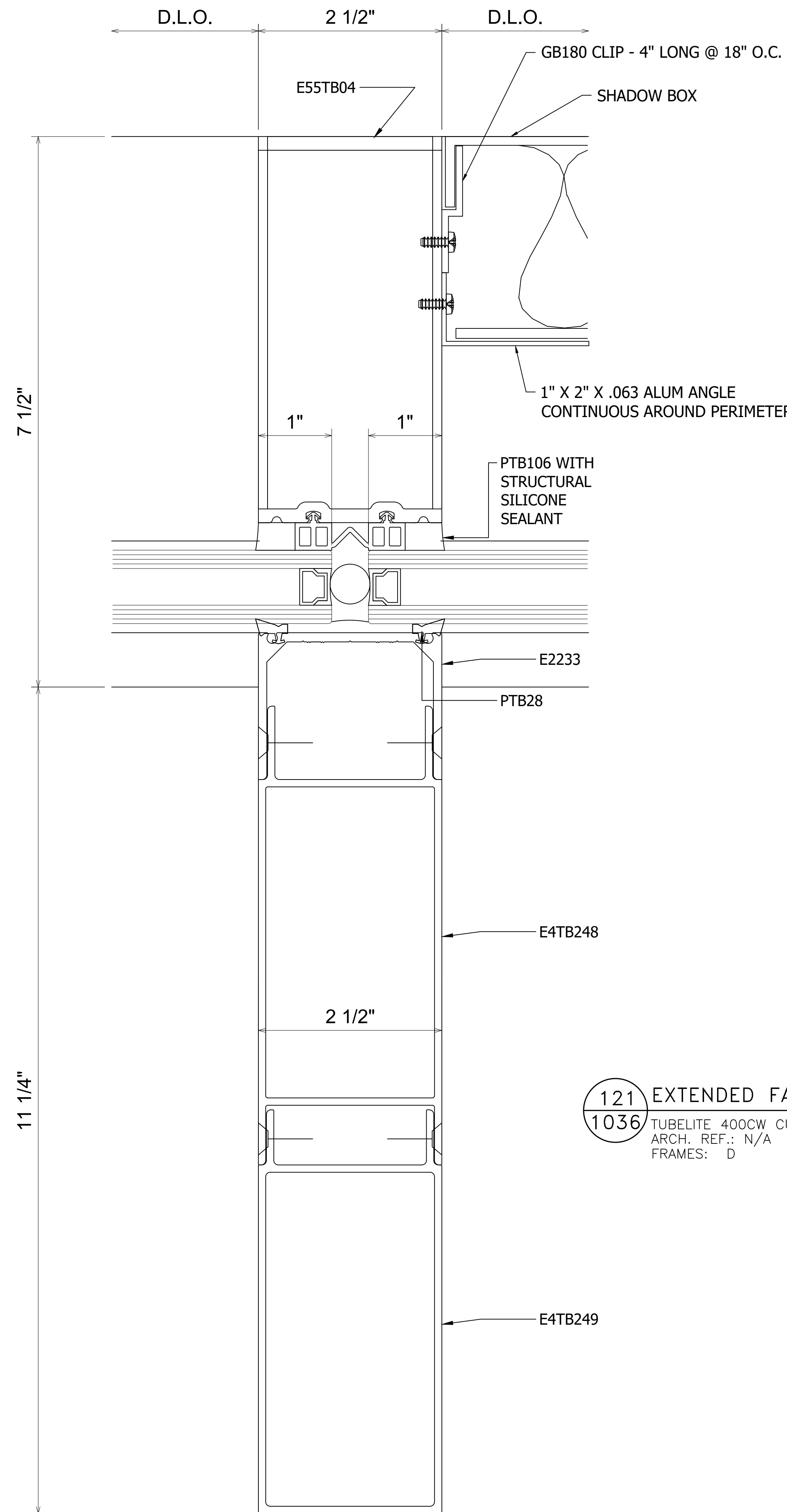


NO.	DATE	SUBMITTAL / REVISION	BY
4.1	02.02.22	THIRD SUBMITTAL (INTERIOR REVISIONS)	CCW
5.1	03.31.22	FOURTH SUBMITTAL (INTERIOR REVISIONS)	CCW
6.1	06.15.22	FIFTH SUBMITTAL (CURTAINWALL FIELD MEASUREMENTS)	CCW
6.2	06.20.22	SIXTH SUBMITTAL (CURTAINWALL FIELD MEASUREMENTS)	CCW
6.3	06.22.22	SEVENTH SUBMITTAL (CURTAINWALL FIELD MEASUREMENTS)	CCW
6.4	08.30.22	EIGHTH SUBMITTAL (INTERIOR STOREFRONT FIELD MEASUREMENTS)	CCW

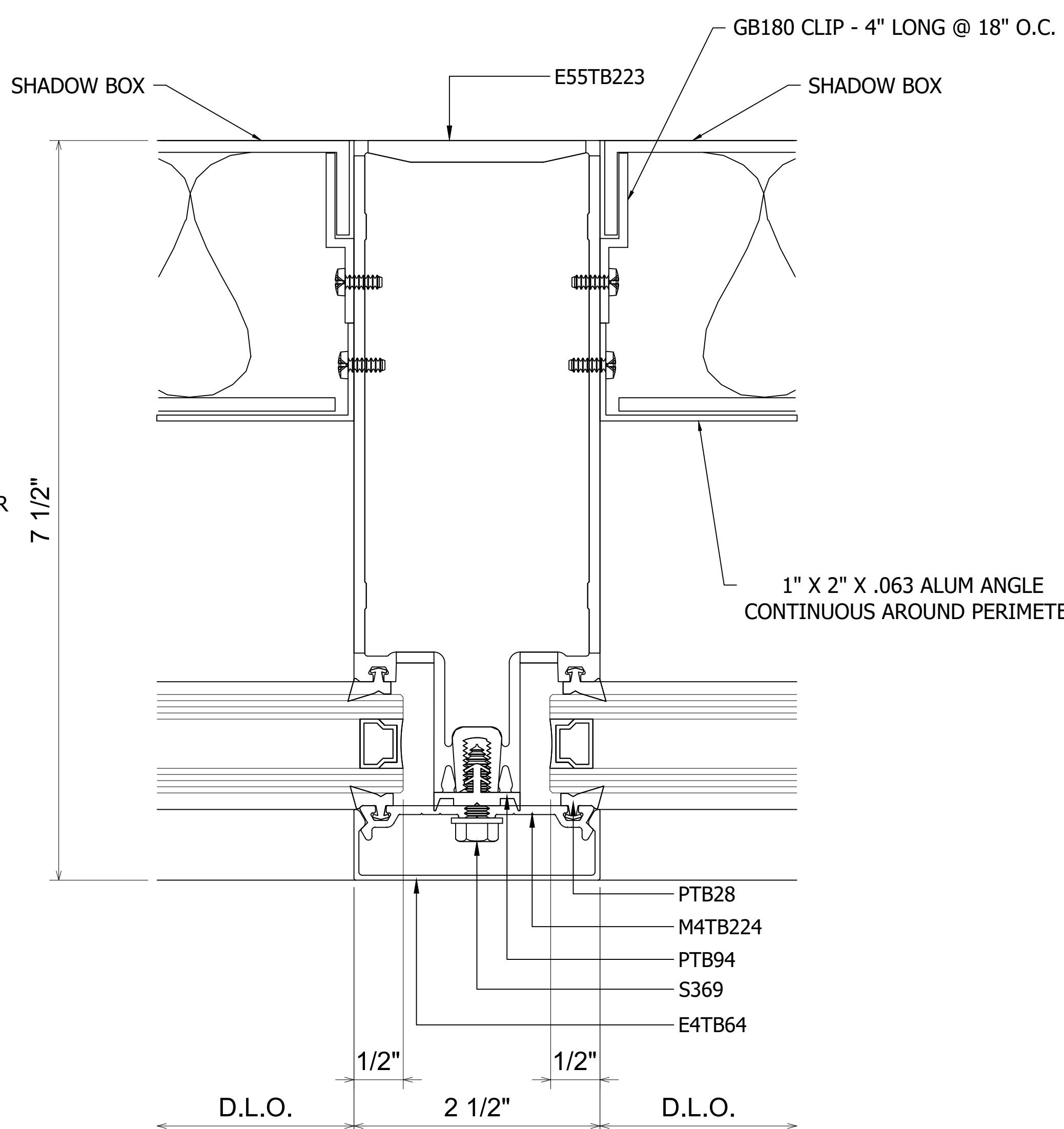
JOB NO. 4047

REV. NO.

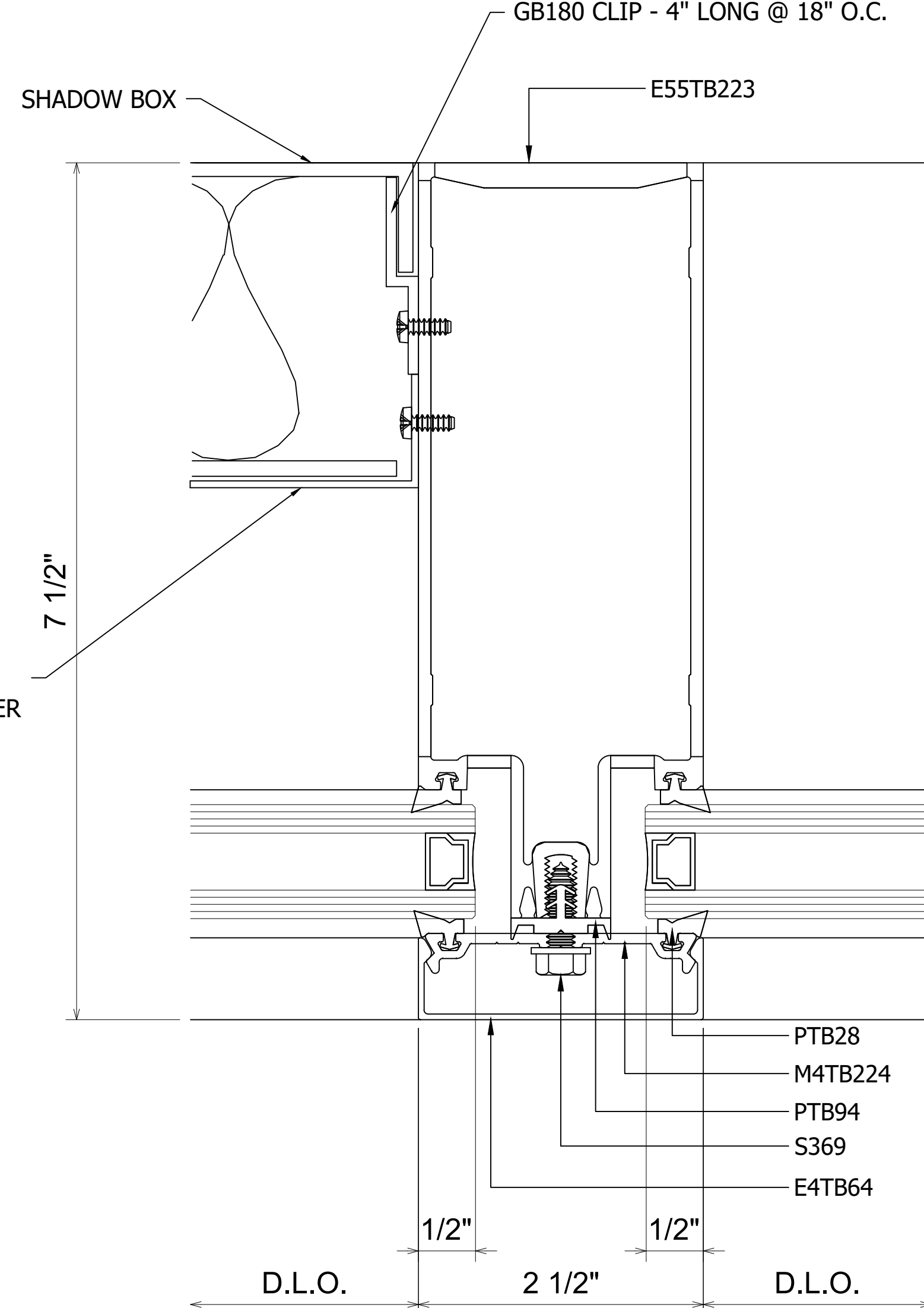




121 EXTENDED FACE CAP
1036 TUBELITE 400CW CURTAIN WALL
 ARCH. REF.: N/A
 FRAMES: D



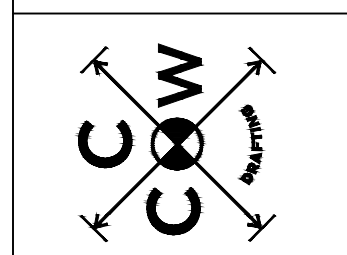
122 TYPICAL VERTICAL
1036 TUBELITE 400CW CURTAIN WALL
 ARCH. REF.: N/A
 FRAMES: G



123 TYPICAL VERTICAL
1036 TUBELITE 400CW CURTAIN WALL
 ARCH. REF.: N/A
 FRAMES: D - I

SHEET NO.: **1036**
 SCALE: N.T.S.
 SCOPE: ALUMINUM CURTAINWALL & STOREFRONT
 PROJECT: NASHVILLE SC TRAINING FACILITY
 4251 CENTURY FARMS TERRACE
 NASHVILLE, TN 37013
 ALEXANDER METALS INC. ARCHITECTURAL PRODUCT SPECIALISTS
 407 CEDAR HAVEN DRIVE, NASHVILLE, TENNESSEE 37210
 PHONE: (615) 258-9070 FAX: (615) 258-9023
 www.AlexanderMetalsInc.com

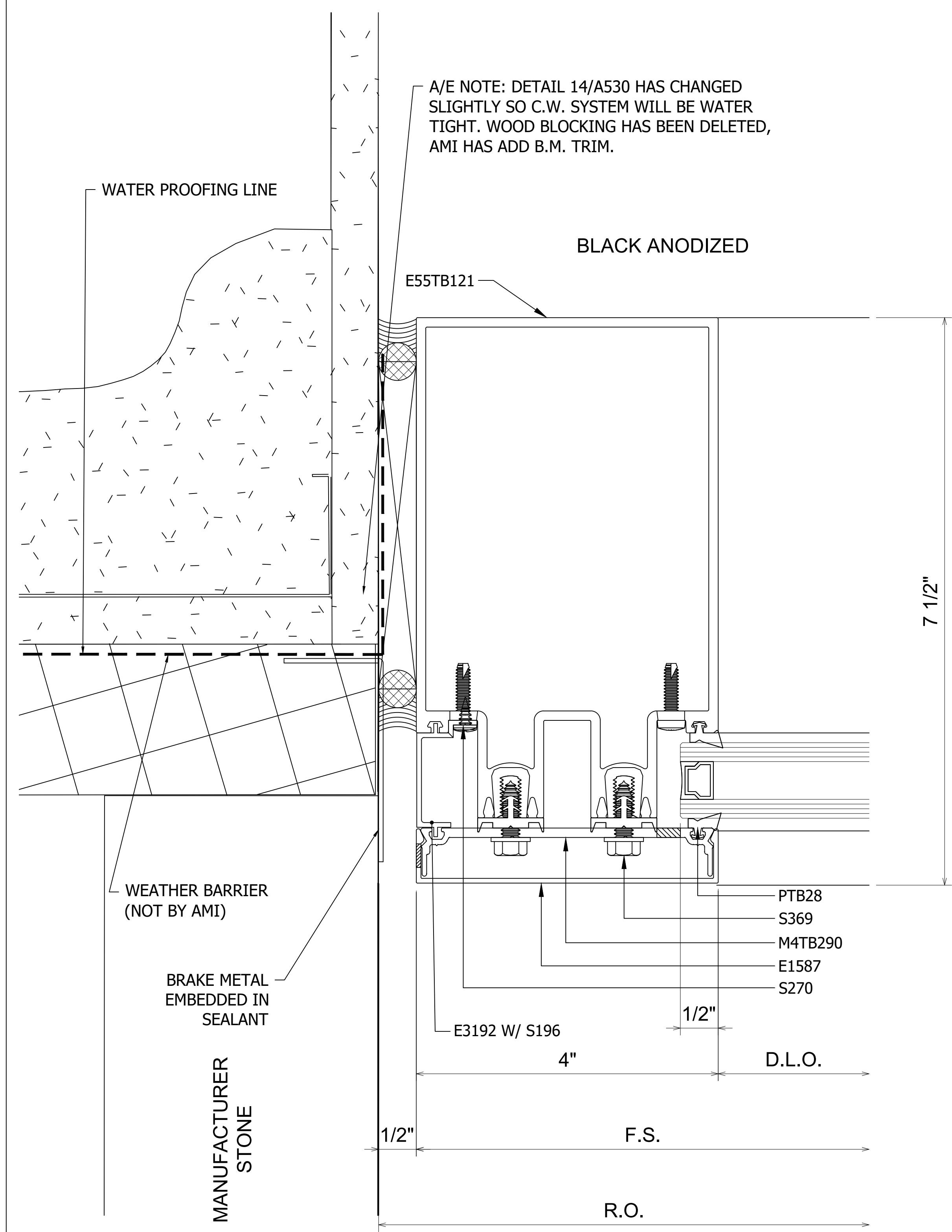
 BY: CCW
 NO. DATE SUBMITTAL / REVISION
 4.1 02.22 THIRD SUBMITTAL (INTERIOR REVISIONS)
 5.1 03.22 FOURTH SUBMITTAL (INTERIOR REVISIONS)
 6.1 06.15.22 FIFTH SUBMITTAL (CURTAINWALL FIELD MEASUREMENTS)
 6.2 06.20.22 SIXTH SUBMITTAL (CURTAINWALL FIELD MEASUREMENTS)
 6.3 06.22.22 SEVENTH SUBMITTAL (CURTAINWALL FIELD MEASUREMENTS)
 6.4 06.30.22 EIGHTH SUBMITTAL (INTERIOR STOREFRONT FIELD MEASUREMENTS)
 JOB NO. 4047
 REV. NO.
 SHEET NO.: **1036**



BY: CCW

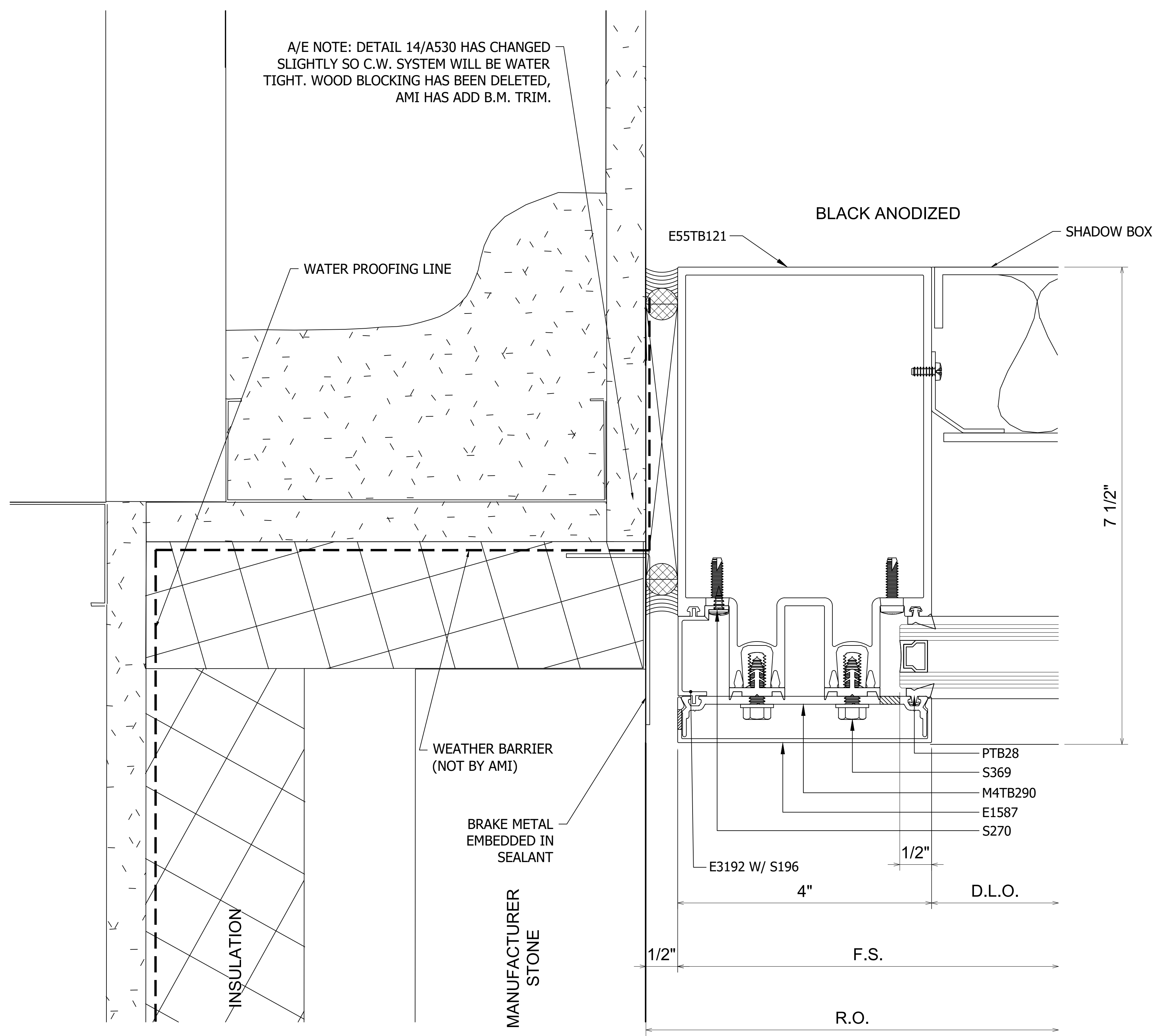
NO.	DATE	REVISION
4.1	02.02.22	THIRD SUBMITTAL (INTERIOR REVISIONS)
5.1	03.31.22	FOURTH SUBMITTAL (INTERIOR REVISIONS)
6.1	06.15.22	FIFTH SUBMITTAL (CURTAINWALL FIELD MEASUREMENTS)
6.2	06.20.22	SIXTH SUBMITTAL (CURTAINWALL FIELD MEASUREMENTS)
6.3	08.22.22	SEVENTH SUBMITTAL (CURTAINWALL FIELD MEASUREMENTS)
6.4	08.30.22	EIGHTH SUBMITTAL (INTERIOR STOREFRONT FIELD MEASUREMENTS)

JOB NO. 4047
REV. NO.



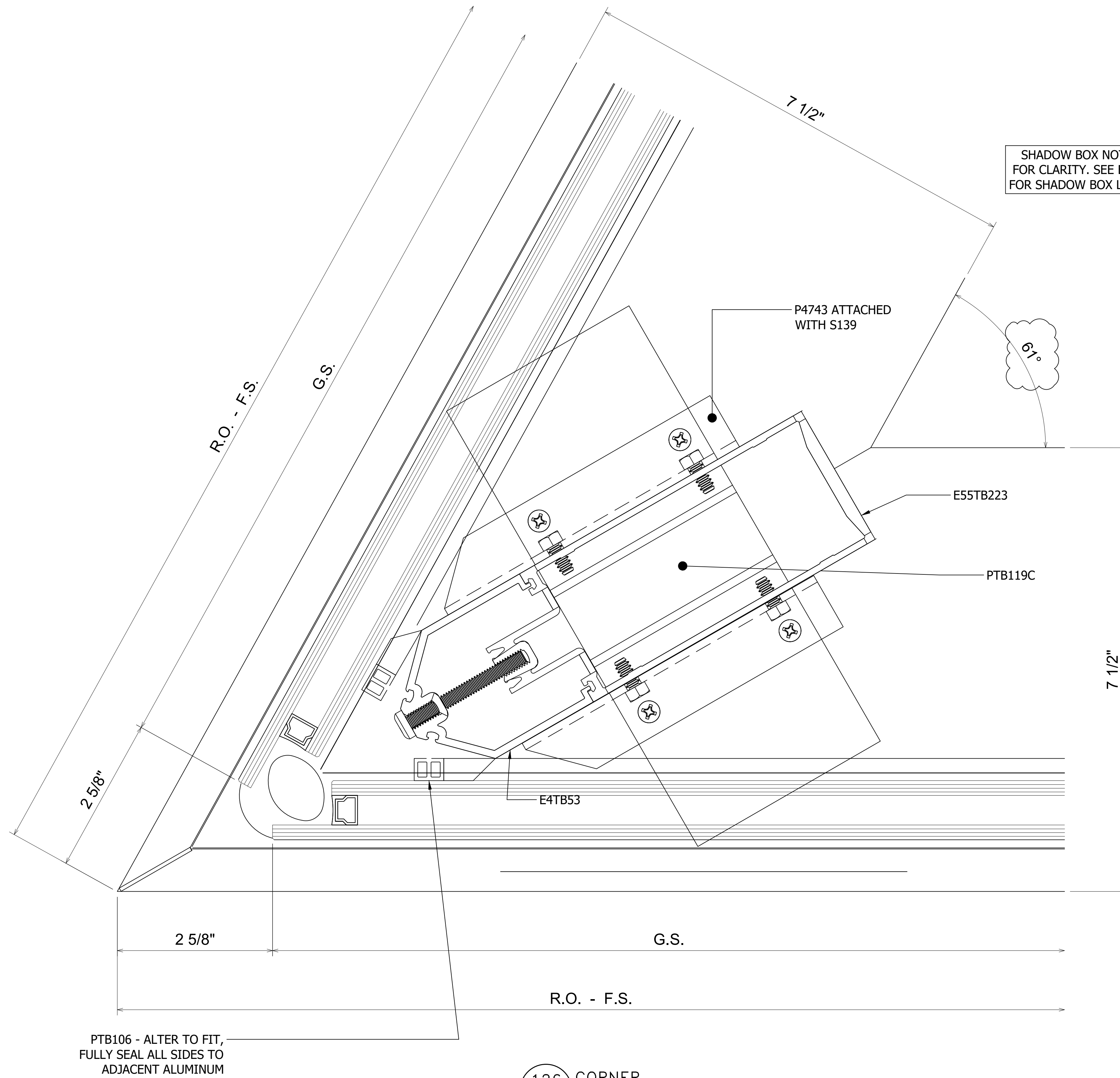
A/E NOTE: DETAIL 14/A530 HAS CHANGED SLIGHTLY SO C.W. SYSTEM WILL BE WATER TIGHT. WOOD BLOCKING HAS BEEN DELETED, AMI HAS ADD B.M. TRIM.

124 JAMB
1037 TUBELITE 400CW CURTAIN WALL
ARCH. REF.: N/A
FRAMES: C



A/E NOTE: DETAIL 14/A530 HAS CHANGED SLIGHTLY SO C.W. SYSTEM WILL BE WATER TIGHT. WOOD BLOCKING HAS BEEN DELETED, AMI HAS ADD B.M. TRIM.

125 JAMB
1037 TUBELITE 400CW CURTAIN WALL
ARCH. REF.: N/A
FRAMES: C



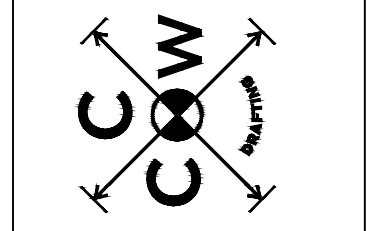
SHADOW BOX NOT SHOWN FOR CLARITY. SEE ELEVATION FOR SHADOW BOX LOCATIONS.

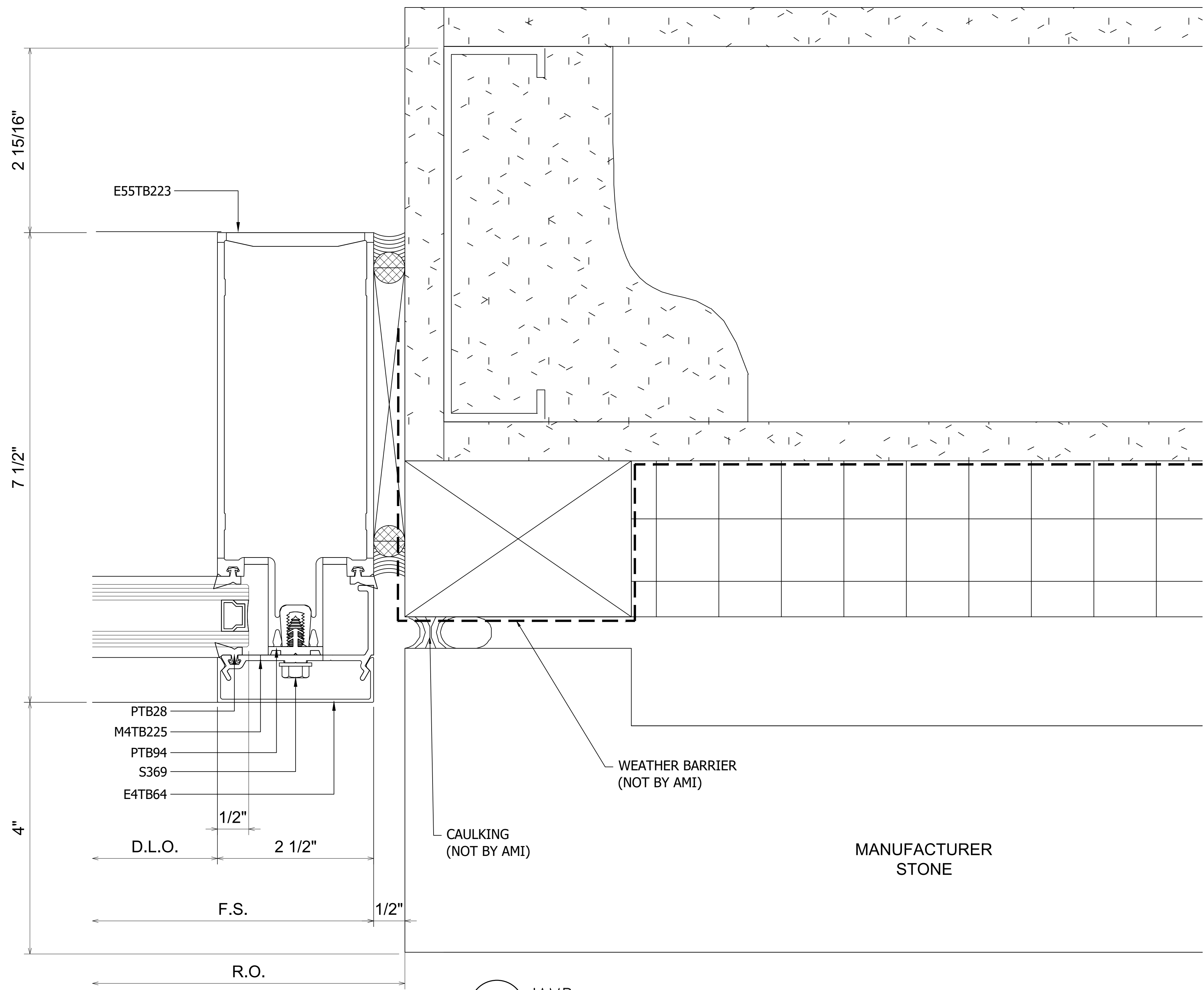
PTB106 - ALTER TO FIT, FULLY SEAL ALL SIDES TO ADJACENT ALUMINUM

126 CORNER
 1038 TUBELITE 400CW CURTAIN WALL
 ARCH. REF.: N/A
 FRAMES: E - G

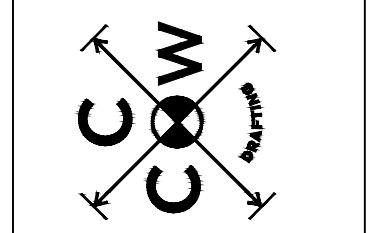
SHEET NO.:		1038	
SCALE:		N.T.S.	
SCOPE:		ALUMINUM CURTAINWALL & STOREFRONT	
PROJECT:		NASHVILLE SC TRAINING FACILITY 4251 CENTURY FARMS TERRACE NASHVILLE, TN 37013	
BY:		CCW	
NO. DATE		SUBMITTAL / REVISION	
4.1	01.02.22	THIRD SUBMITTAL (INTERIOR REVISIONS)	
5.1	03.31.22	FOURTH SUBMITTAL (INTERIOR REVISIONS)	
6.1	06.15.22	FIFTH SUBMITTAL (CURTAINWALL FIELD MEASUREMENTS)	
6.2	06.20.22	SIXTH SUBMITTAL (CURTAINWALL FIELD MEASUREMENTS)	
6.3	06.22.22	SEVENTH SUBMITTAL (CURTAINWALL FIELD MEASUREMENTS)	
6.4	08.30.22	EIGHTH SUBMITTAL (INTERIOR STOREFRONT FIELD MEASUREMENTS)	
JOB NO.		4047	
REV. NO.			
SHEET NO.:		1038	

ALEXANDER METALS INC.
 ARCHITECTURAL PRODUCT SPECIALISTS
 10705 GLENNDALE TERNESSE, #210
 NASHVILLE, TN 37210
 PHONE: (615) 258-9070 FAX: (615) 258-9023
 www.AlexanderMetalsInc.com



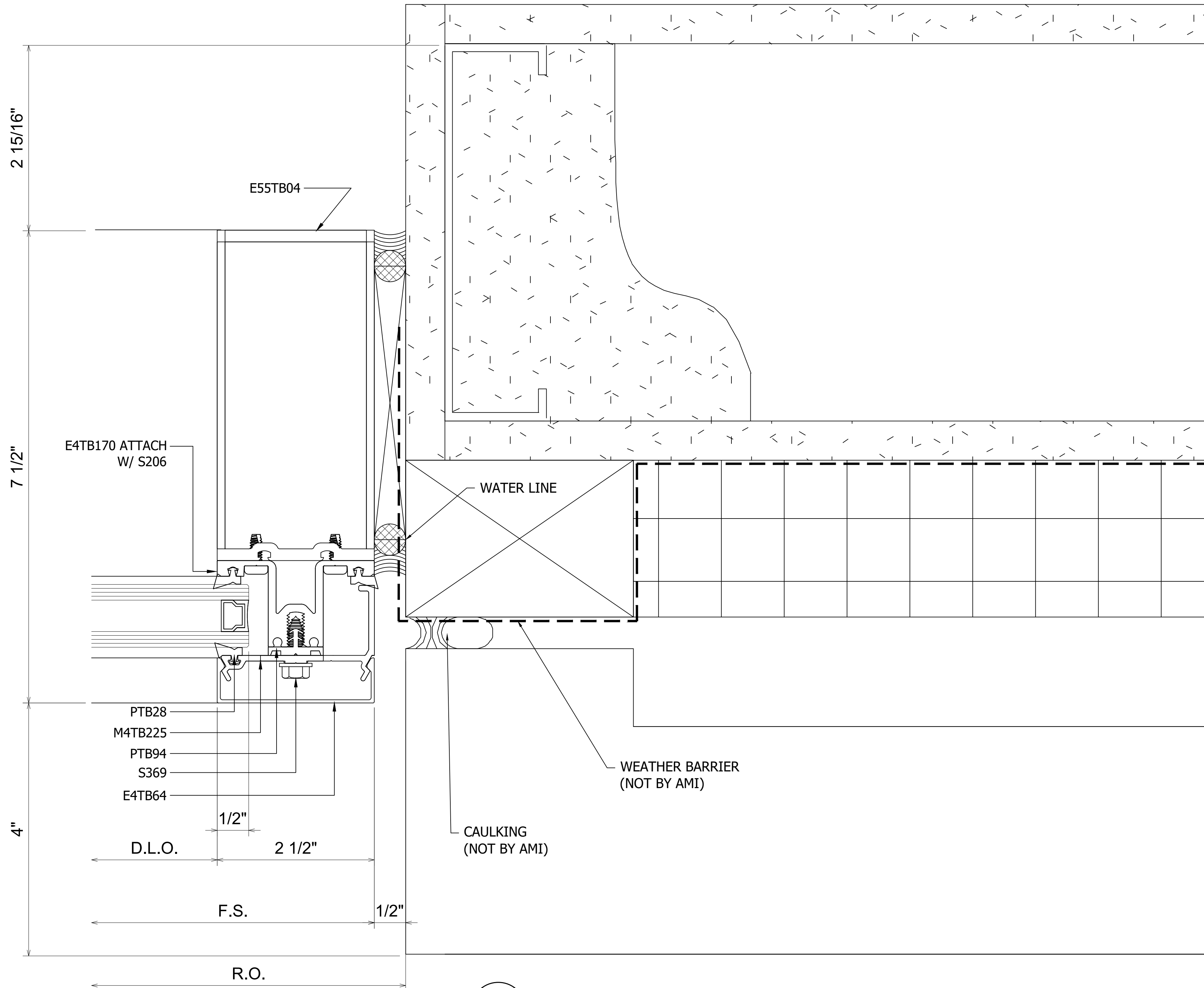


127 JAMB
 1039 TUBELITE 400CW CURTAIN WALL
 ARCH. REF.: 3 & 12/A530
 FRAMES: D - E - M



NO.	DATE	REVISION	BY
4.1	02.02.22	THIRD SUBMITTAL (INTERIOR REVISIONS)	CCW
5.1	03.31.22	FOURTH SUBMITTAL (INTERIOR REVISIONS)	CCW
6.1	06.15.22	FIFTH SUBMITTAL (CURTAINWALL FIELD MEASUREMENTS)	CCW
6.2	06.20.22	SIXTH SUBMITTAL (CURTAINWALL FIELD MEASUREMENTS)	CCW
6.3	06.22.22	SEVENTH SUBMITTAL (CURTAINWALL FIELD MEASUREMENTS)	CCW
6.4	08.30.22	EIGHTH SUBMITTAL (INTERIOR STOREFRONT FIELD MEASUREMENTS)	CCW

JOB NO. 4047



127A JAMB
 1039A TUBELITE 400CW CURTAIN WALL
 ARCH. REF.: 3 & 12/A530
 FRAMES: E

SHEET NO.:
1039A

SCALE:
 N.T.S.

SCOPE:
 ALUMINUM
 CURTAINWALL &
 STOREFRONT

PROJECT:
 NASHVILLE SC TRAINING FACILITY
 4251 CENTURY FARMS TERRACE
 NASHVILLE, TN 37013

ALEXANDER METALS INC.
 ARCHITECTURAL PRODUCT SPECIALISTS
 10705 OLD NASHVILLE TURNPIKE, SUITE 2700
 NASHVILLE, TN 37203
 PHONE: (615) 256-9070 FAX: (615) 256-9623
 www.AlexanderMetalsInc.com

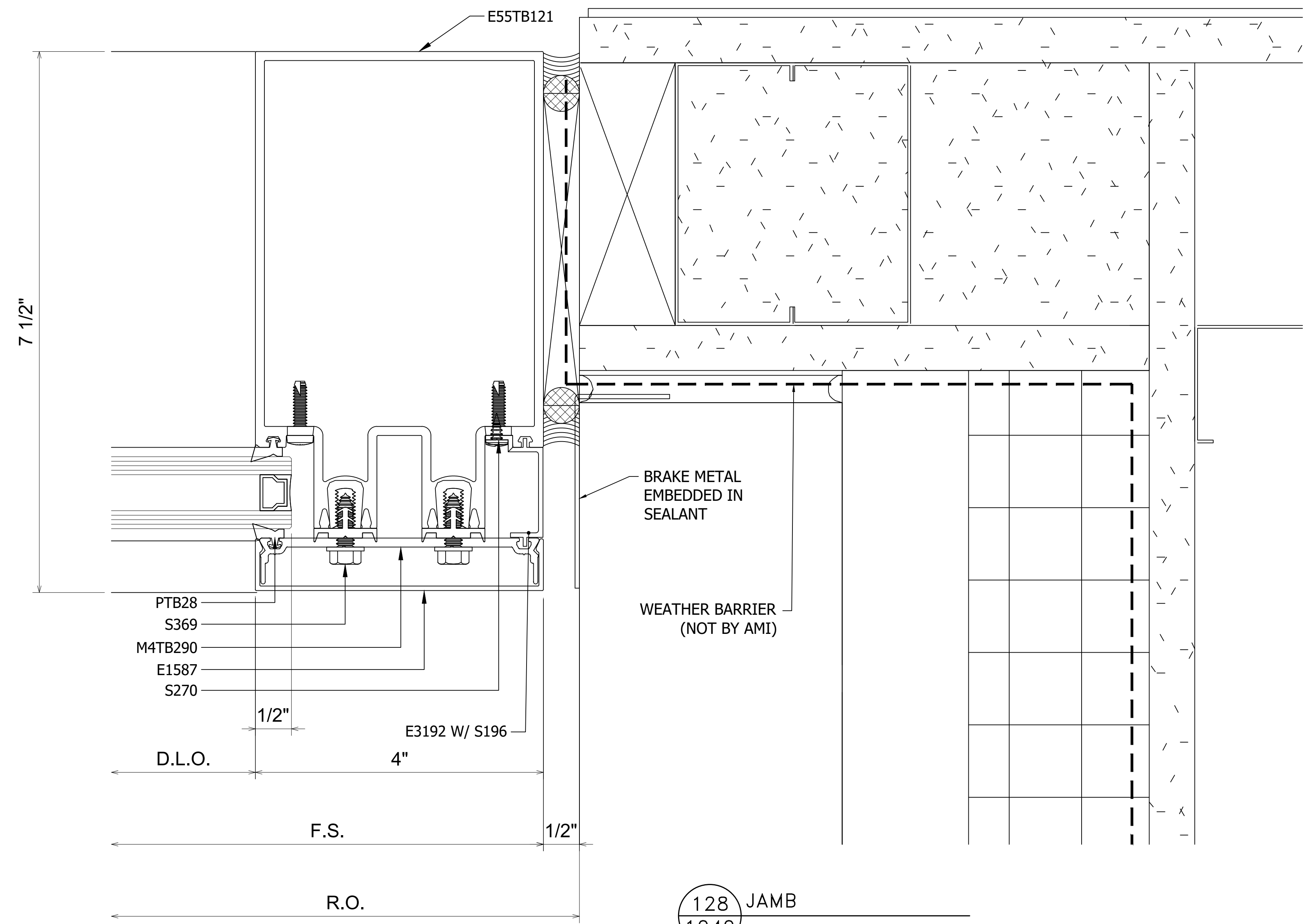


NO.	DATE	REVISION	BY
4.1	02.02.22	THIRD SUBMITTAL (INTERIOR REVISIONS)	CCW
5.1	03.31.22	FOURTH SUBMITTAL (INTERIOR REVISIONS)	CCW
6.1	06.15.22	FIFTH SUBMITTAL (CURTAINWALL FIELD MEASUREMENTS)	CCW
6.2	06.20.22	SIXTH SUBMITTAL (CURTAINWALL FIELD MEASUREMENTS)	CCW
6.3	06.22.22	SEVENTH SUBMITTAL (CURTAINWALL FIELD MEASUREMENTS)	CCW
6.4	08.30.22	EIGHTH SUBMITTAL (INTERIOR STOREFRONT FIELD MEASUREMENTS)	CCW

JOB NO. 4047

REV. NO.

SHEET NO.:
1039A



128 JAMB
 1040 TUBELITE 400CW CURTAIN WALL
 ARCH. REF.: 8/A530
 FRAMES: F

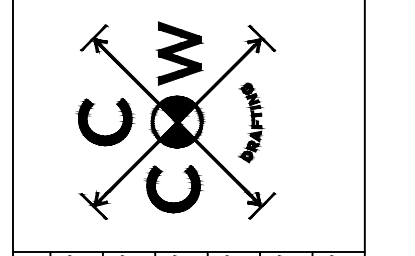
SHEET NO.:
1040

SCALE:
 N.T.S.

SCOPE:
 ALUMINUM
 CURTAINWALL &
 STOREFRONT

PROJECT:
 NASHVILLE SC TRAINING FACILITY
 4251 CENTURY FARMS TERRACE
 NASHVILLE, TN 37013

**ALEXANDER
 METALS INC.**
 ARCHITECTURAL PRODUCT SPECIALISTS
 10705 GLENNDALE TOWN CENTER DRIVE
 NASHVILLE, TENNESSEE 37203
 PHONE: (615) 256-9070 FAX: (615) 256-9623
 www.AlexanderMetalsInc.com



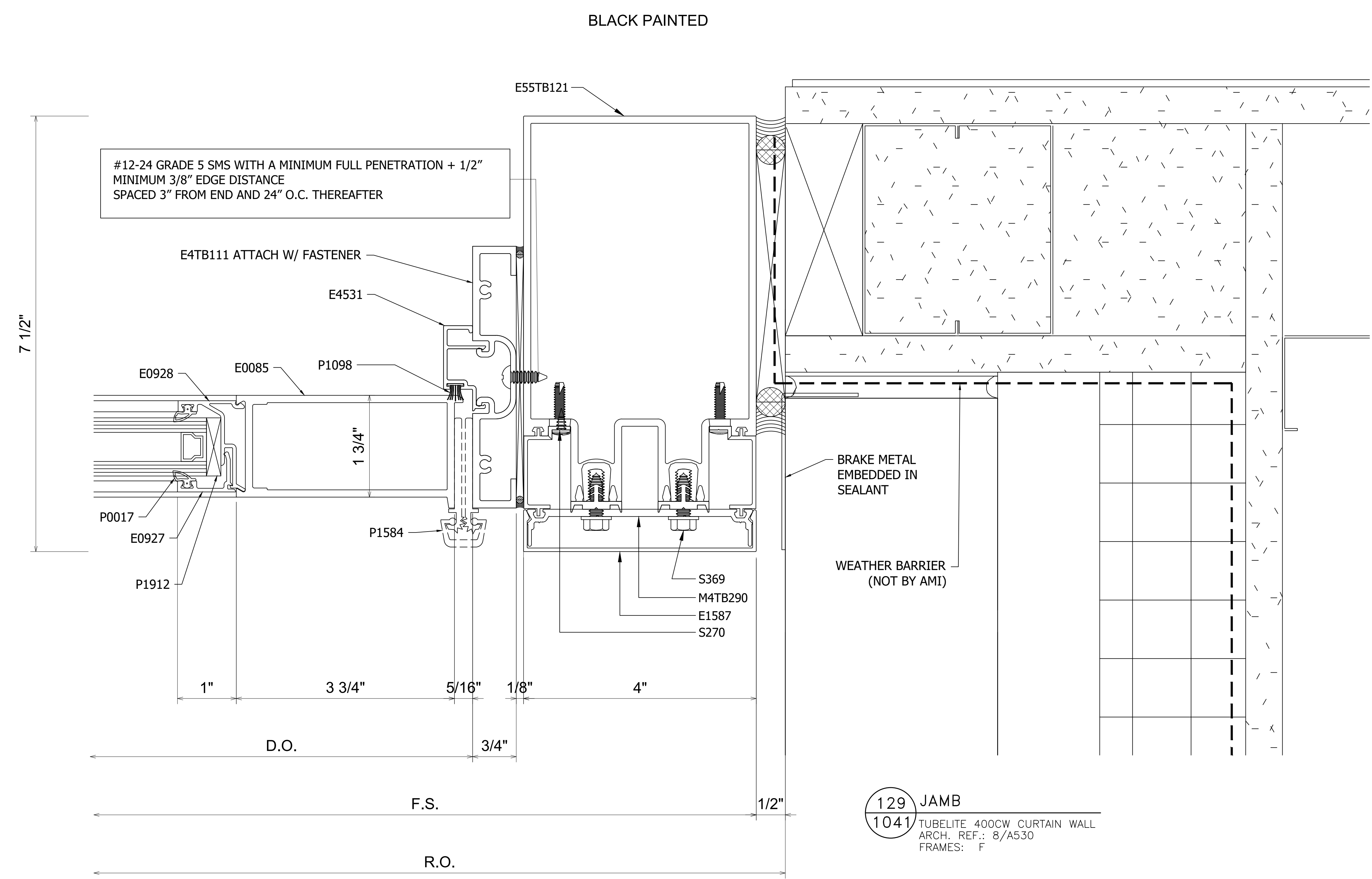
NO.	DATE	REVISION	BY
4.1	02/02/22	THIRD SUBMITTAL (INTERIOR REVISIONS)	CCW
5.1	03/31/22	FOURTH SUBMITTAL (INTERIOR REVISIONS)	CCW
6.1	06/15/22	FIFTH SUBMITTAL (CURTAINWALL FIELD MEASUREMENTS)	CCW
6.2	06/20/22	SIXTH SUBMITTAL (CURTAINWALL FIELD MEASUREMENTS)	CCW
6.3	06/22/22	SEVENTH SUBMITTAL (CURTAINWALL FIELD MEASUREMENTS)	CCW
6.4	08/30/22	EIGHTH SUBMITTAL (INTERIOR STOREFRONT FIELD MEASUREMENTS)	CCW

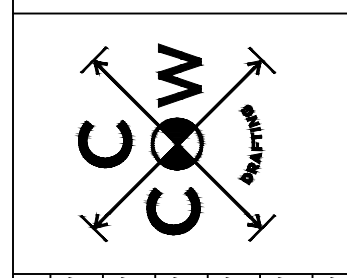
JOB NO. 4047
 REV. NO.

SHEET NO.:
1040

NO.	DATE	REVISION	BY
4.1	01.02.22	THIRD SUBMITTAL (INTERIOR REVISIONS)	CCW
5.1	03.31.22	FOURTH SUBMITTAL (INTERIOR REVISIONS)	CCW
6.1	06.15.22	FIFTH SUBMITTAL (CURTAINWALL FIELD MEASUREMENTS)	CCW
6.2	06.20.22	SIXTH SUBMITTAL (CURTAINWALL FIELD MEASUREMENTS)	CCW
6.3	06.22.22	SEVENTH SUBMITTAL (CURTAINWALL FIELD MEASUREMENTS)	CCW
6.4	08.30.22	EIGHTH SUBMITTAL (INTERIOR STOREFRONT FIELD MEASUREMENTS)	CCW

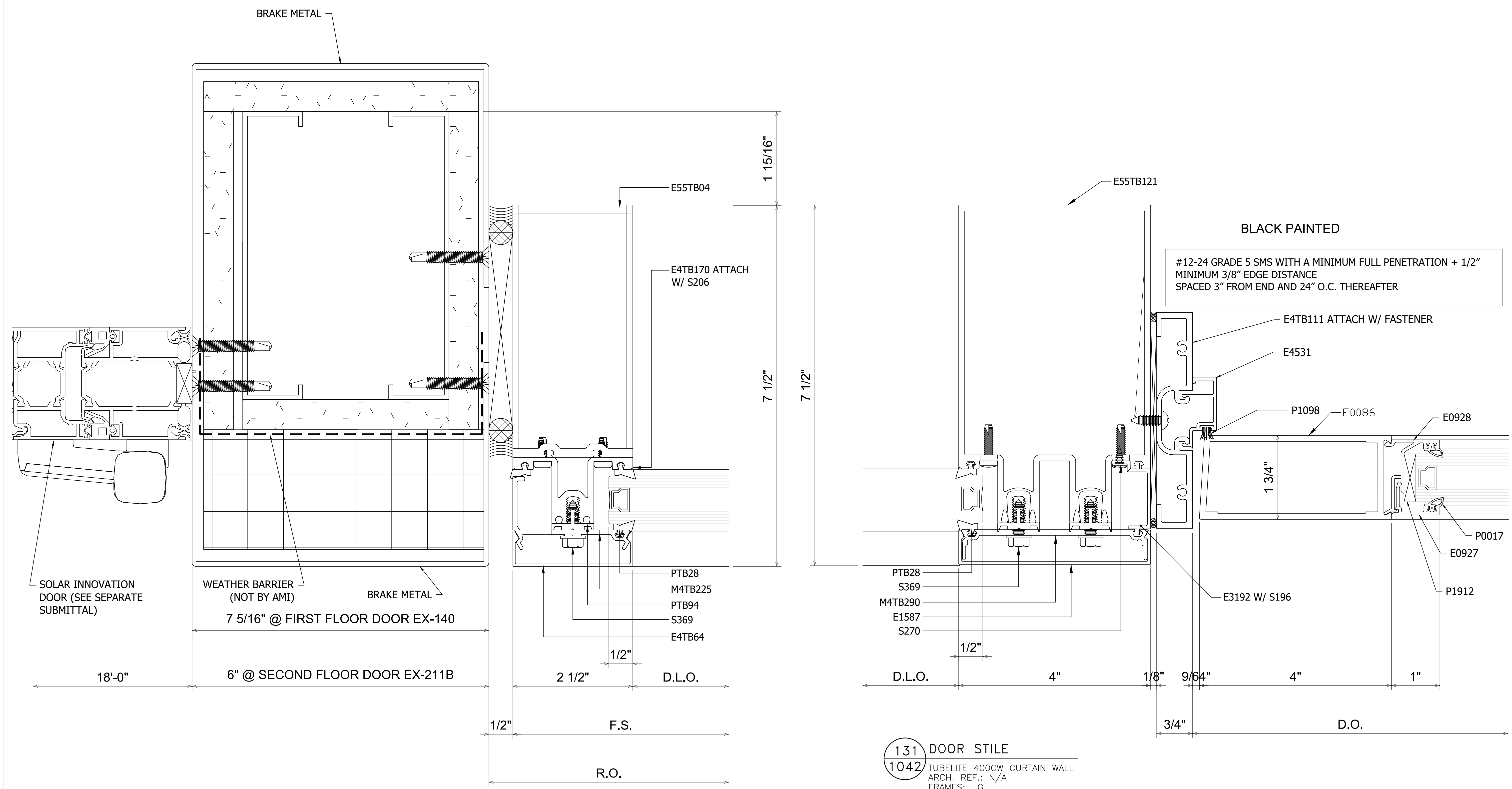
JOB NO.	4047
REV. NO.	





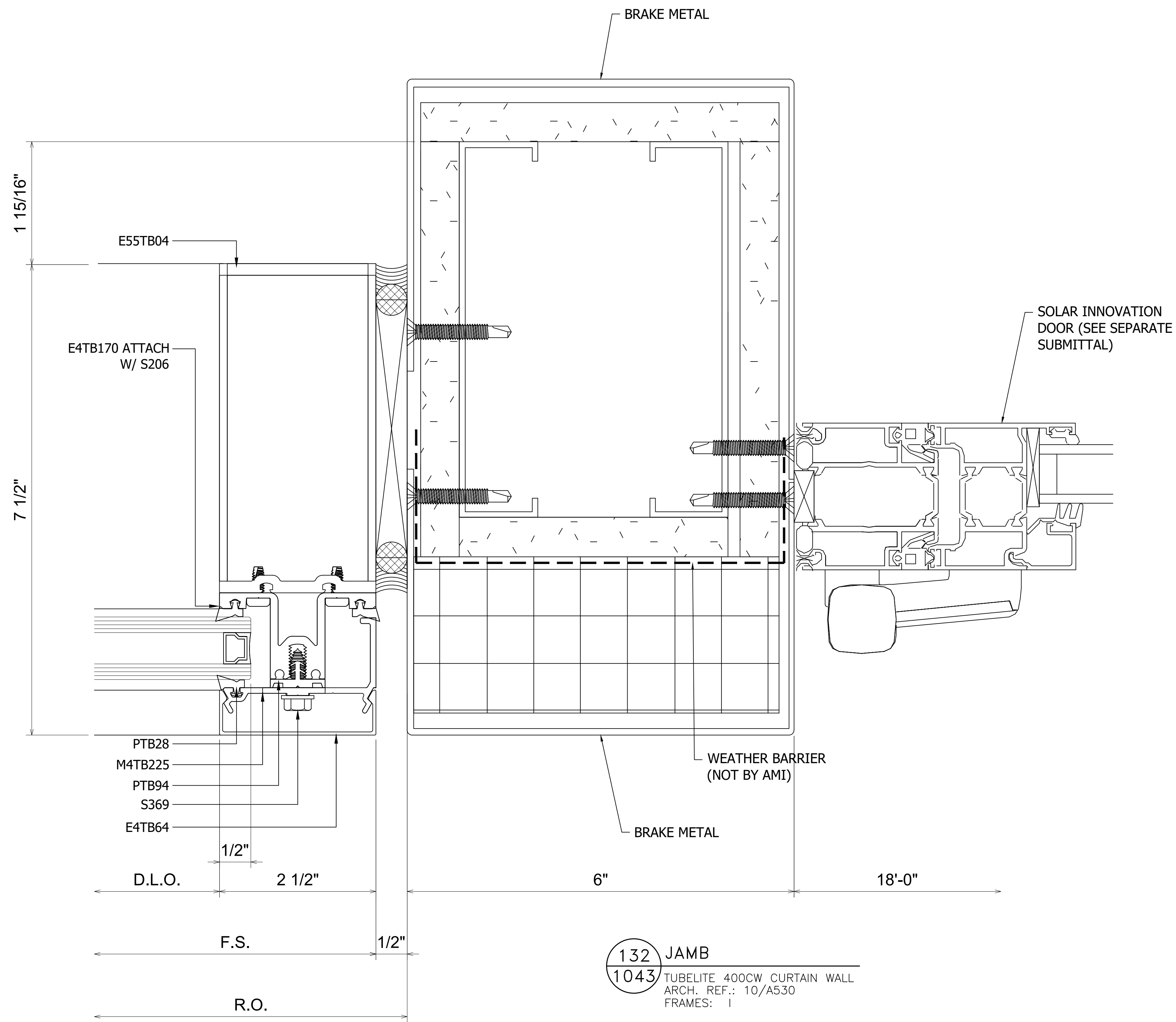
NO.	DATE	BY	REVISION
4.1	03.22	CCW	THIRD SUBMITTAL (INTERIOR REVISIONS)
5.1	03.22	CCW	FOURTH SUBMITTAL (INTERIOR REVISIONS)
6.1	06.15.22	CCW	FIFTH SUBMITTAL (CURTAINWALL FIELD MEASUREMENTS)
6.2	06.20.22	CCW	SIXTH SUBMITTAL (CURTAINWALL FIELD MEASUREMENTS)
6.3	06.22.22	CCW	SEVENTH SUBMITTAL (CURTAINWALL FIELD MEASUREMENTS)
6.4	08.30.22	CCW	EIGHTH SUBMITTAL (INTERIOR STOREFRONT FIELD MEASUREMENTS)

JOB NO.	4047
REV. NO.	



130 JAMB
1042 TUBELITE 400CW CURTAIN WALL
ARCH. REF.: 10/A530
FRAMES: F - 1

131 DOOR STILE
1042 TUBELITE 400CW CURTAIN WALL
ARCH. REF.: N/A
FRAMES: G



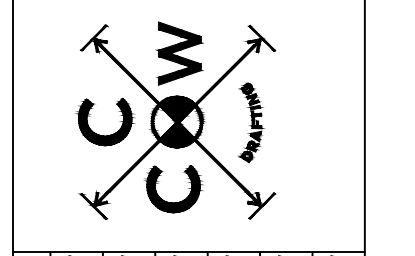
132 JAMB
 1043 TUBELITE 400CW CURTAIN WALL
 ARCH. REF.: 10/A530
 FRAMES: 1

SHEET NO.:
1043
 SCALE:
 N.T.S.

SCOPE:
 ALUMINUM
 CURTAINWALL &
 STOREFRONT

PROJECT:
 NASHVILLE SC TRAINING FACILITY
 4251 CENTURY FARMS TERRACE
 NASHVILLE, TN 37013

**ALEXANDER
 METALS INC.**
 ARCHITECTURAL PRODUCT SPECIALISTS
 10705 BELLEVILLE AVENUE, SUITE 2700
 NASHVILLE, TENNESSEE 37217
 PHONE: (615) 256-9070 FAX: (615) 256-9023
 www.AlexanderMetalsInc.com



NO.	DATE	REVISION	BY
4.1	03/22	THIRD SUBMITTAL (INTERIOR REVISIONS)	CCW
5.1	03/31	FOURTH SUBMITTAL (INTERIOR REVISIONS)	CCW
6.1	06/15	FIFTH SUBMITTAL (CURTAINWALL FIELD MEASUREMENTS)	CCW
6.2	06/20	SIXTH SUBMITTAL (CURTAINWALL FIELD MEASUREMENTS)	CCW
6.3	06/22	SEVENTH SUBMITTAL (CURTAINWALL FIELD MEASUREMENTS)	CCW
6.4	08/30	EIGHTH SUBMITTAL (INTERIOR STOREFRONT FIELD MEASUREMENTS)	CCW

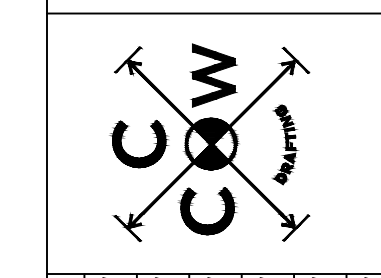
JOB NO. 4047
 REV. NO.

SHEET NO.:
1043

SCOPE:
ALUMINUM
CURTAINWALL
STOREFRONT

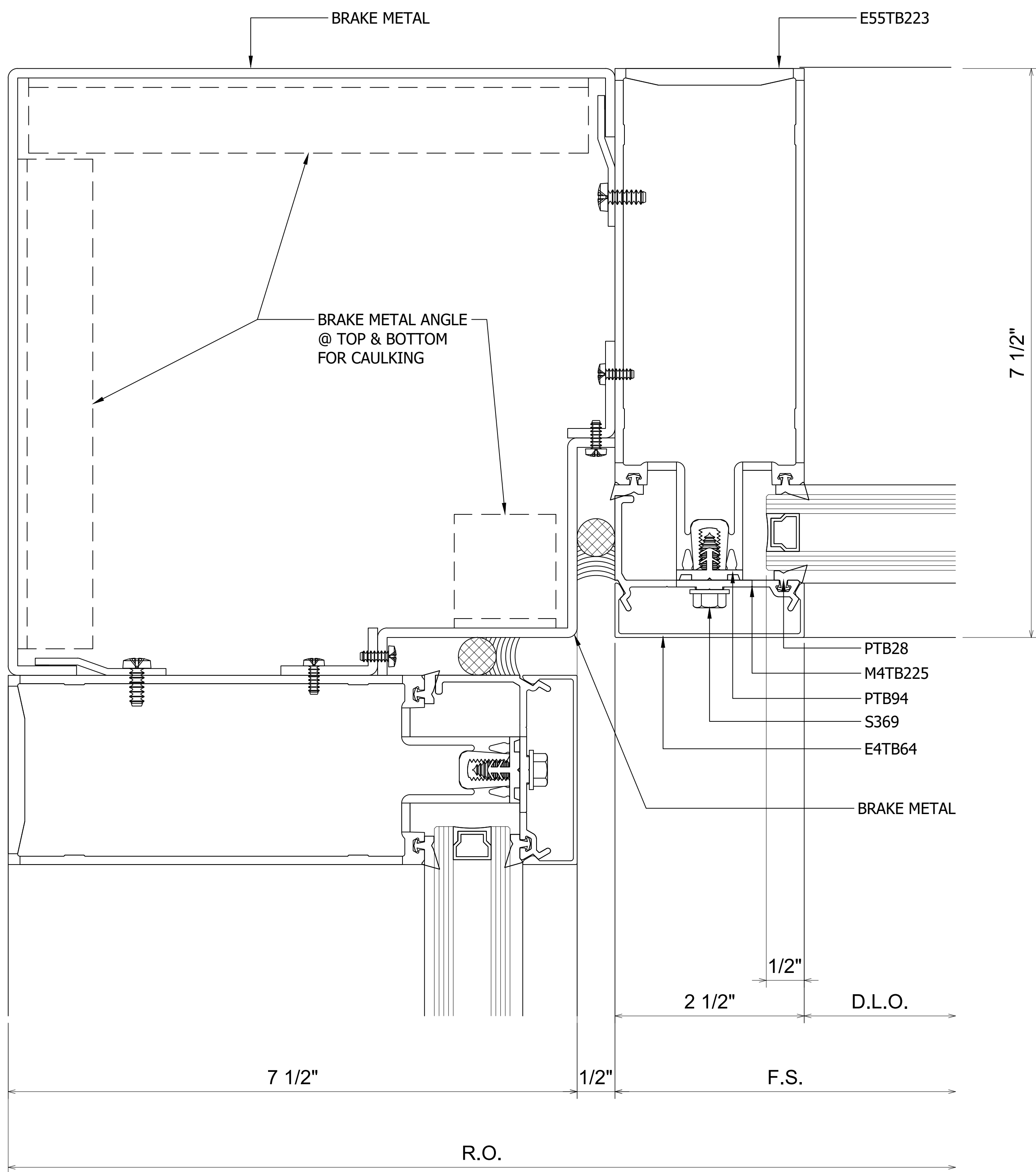
PROJECT:
NASHVILLE SC TRAINING FACILITY
4251 CENTURY FARMS TERRACE
NASHVILLE, TN 37013

**ALEXANDER
METALS INC.**
ARCHITECTURAL PRODUCT SPECIALISTS
10705 GLENNDALE AVENUE, NASHVILLE, TN 37203
PHONE: (615) 258-9070 FAX: (615) 258-9223
www.AlexanderMetalsInc.com

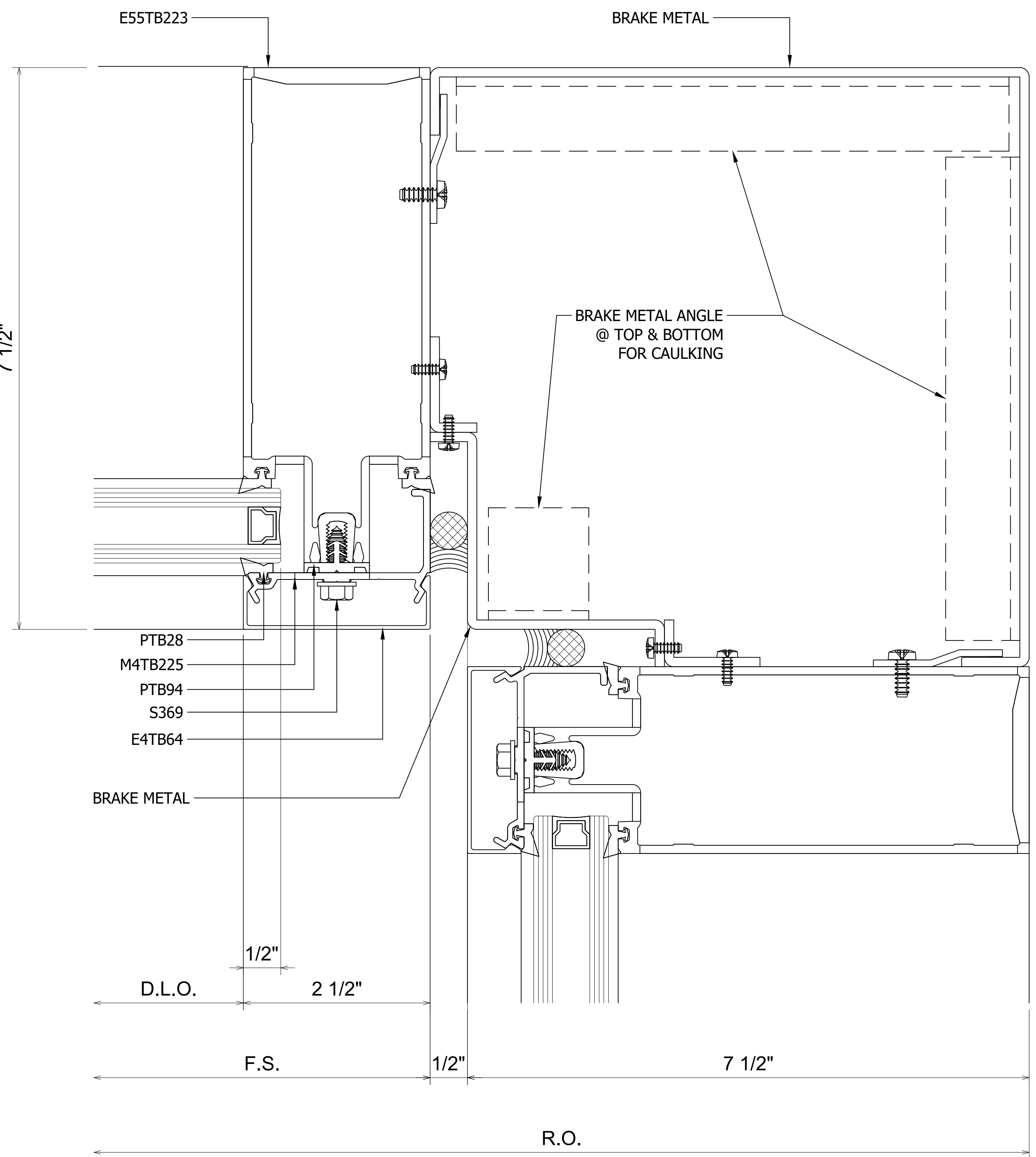


NO.	DATE	REVISION	BY
4.1	01.02.22	THIRD SUBMITTAL (INTERIOR REVISIONS)	CCW
5.1	03.31.22	FOURTH SUBMITTAL (INTERIOR REVISIONS)	CCW
6.1	06.15.22	FIFTH SUBMITTAL (CURTAINWALL FIELD MEASUREMENTS)	CCW
6.2	06.20.22	SIXTH SUBMITTAL (CURTAINWALL FIELD MEASUREMENTS)	CCW
6.3	08.22.22	SEVENTH SUBMITTAL (CURTAINWALL FIELD MEASUREMENTS)	CCW
6.4	08.30.22	EIGHTH SUBMITTAL (INTERIOR STOREFRONT FIELD MEASUREMENTS)	CCW

REV. NO. 4047



133 CORNER
1044 TUBELITE 400CW CURTAIN WALL
ARCH. REF.: N/A
FRAMES: H

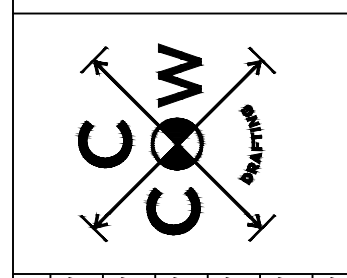


134 CORNER
1044 TUBELITE 400CW CURTAIN WALL
ARCH. REF.: N/A
FRAMES: G

SCOPE:
ALUMINUM
CURTAINWALL &
STOREFRONT

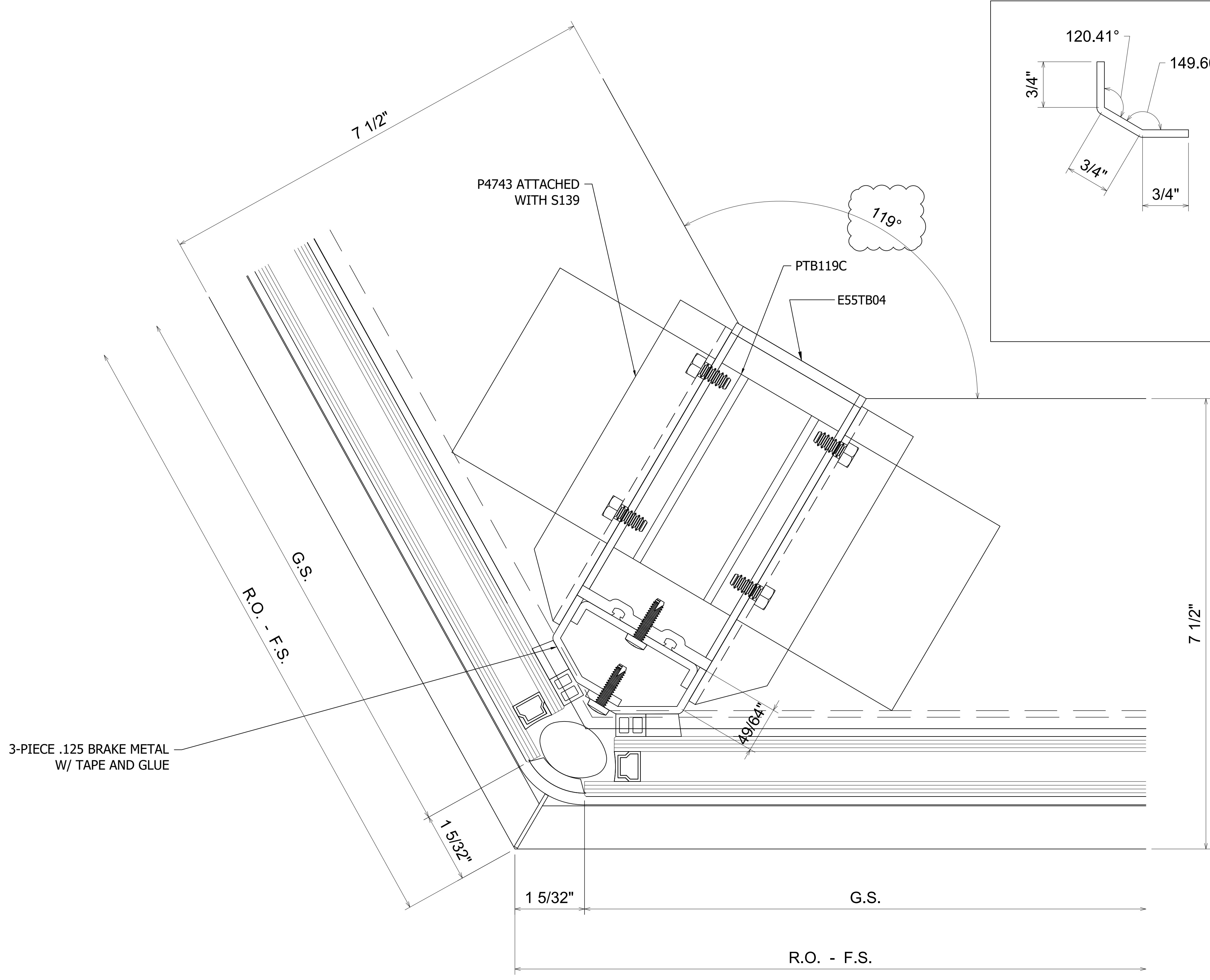
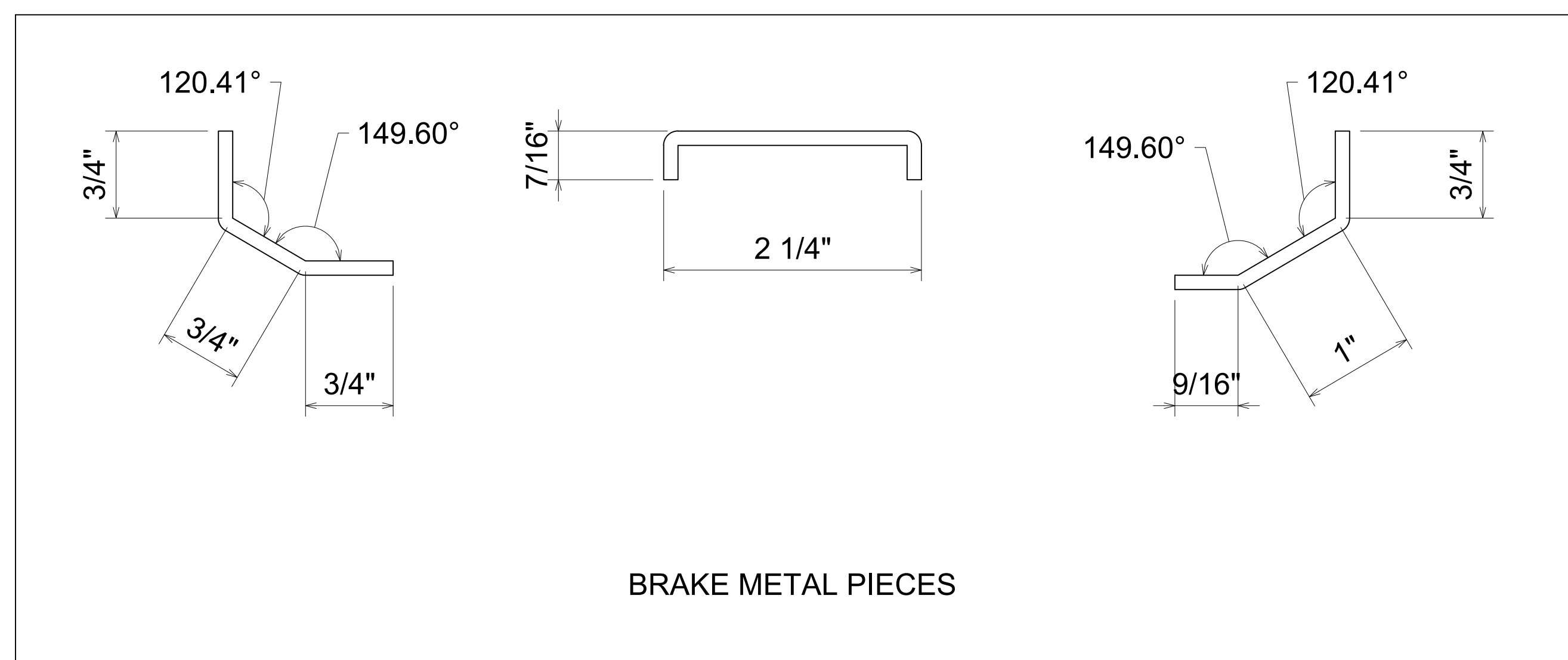
PROJECT:
NASHVILLE SC TRAINING FACILITY
4251 CENTURY FARMS TERRACE
NASHVILLE, TN 37013

**ALEXANDER
METALS INC.**
ARCHITECTURAL PRODUCT SPECIALISTS
10705 BELLEVILLE AVENUE, SUITE 200
NASHVILLE, TENNESSEE 37217
PHONE: (615) 256-9070 FAX: (615) 256-9023
www.AlexanderMetalsInc.com

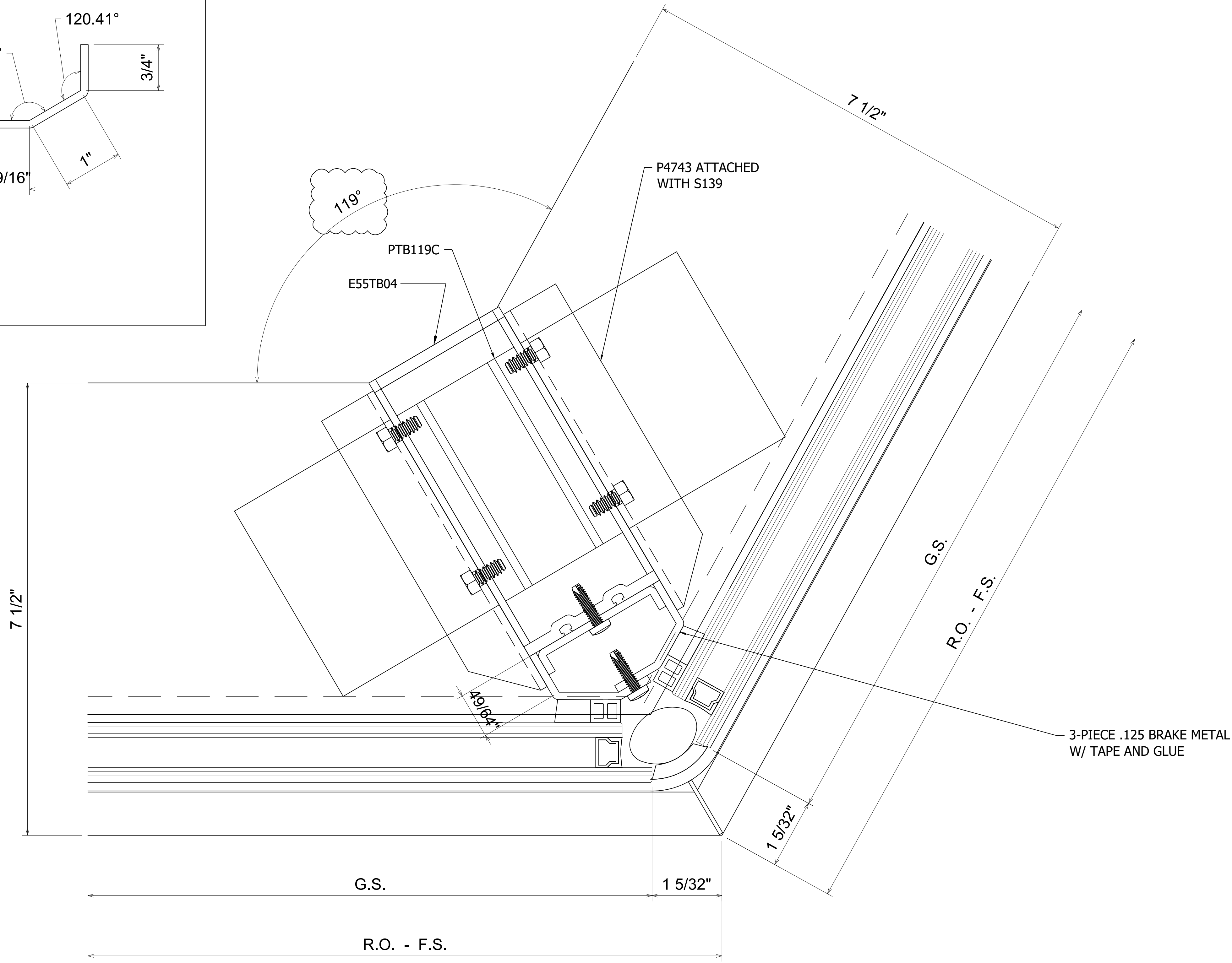
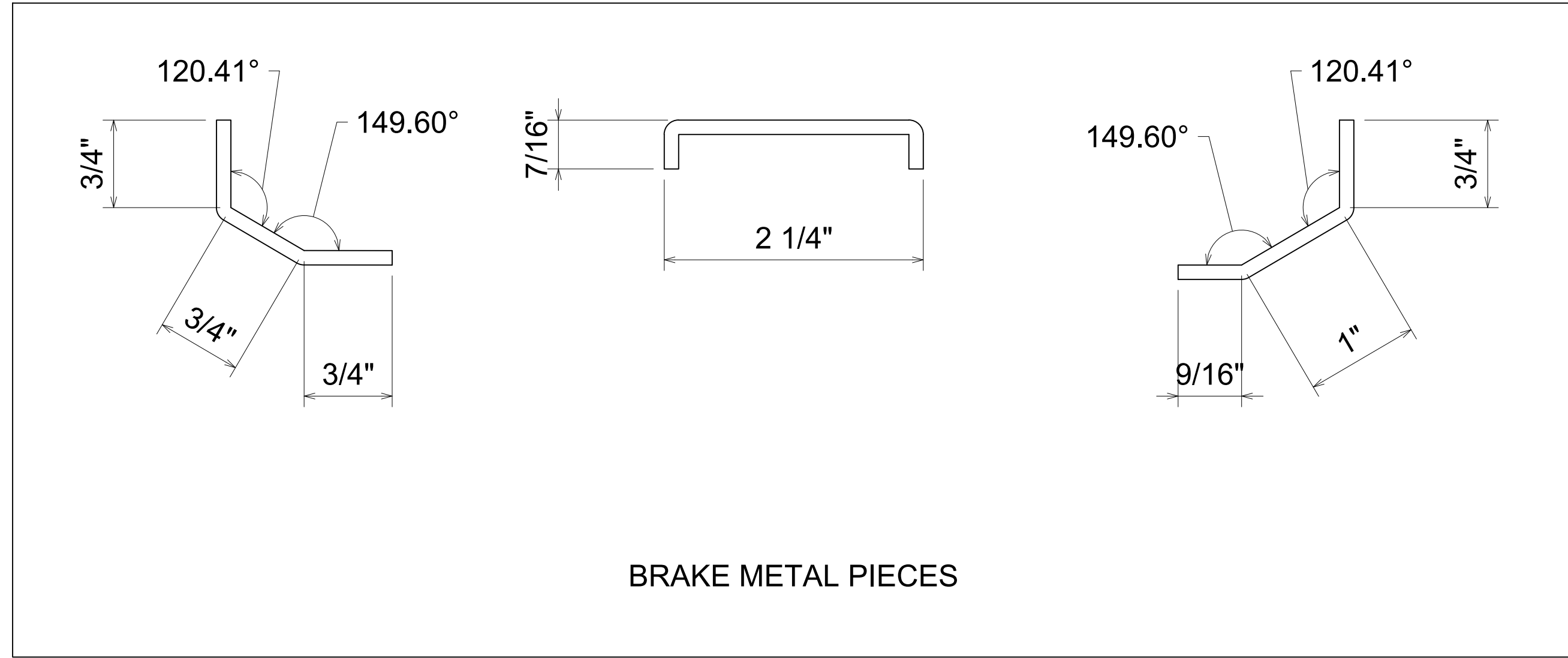


NO.	DATE	REVISION	BY
4.1	01.02.22	THIRD SUBMITTAL (INTERIOR REVISIONS)	CCW
5.1	03.31.22	FOURTH SUBMITTAL (INTERIOR REVISIONS)	CCW
6.1	06.15.22	FIFTH SUBMITTAL (CURTAINWALL FIELD MEASUREMENTS)	CCW
6.2	06.20.22	SIXTH SUBMITTAL (CURTAINWALL FIELD MEASUREMENTS)	CCW
6.3	08.22.22	SEVENTH SUBMITTAL (CURTAINWALL FIELD MEASUREMENTS)	CCW
6.4	08.30.22	EIGHTH SUBMITTAL (INTERIOR STOREFRONT FIELD MEASUREMENTS)	CCW

JOB NO. 4047

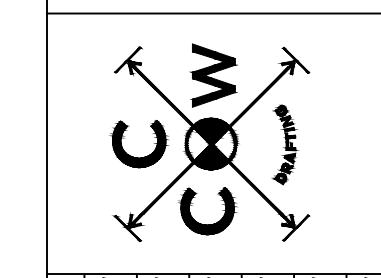


135 CORNER
1045 TUBELITE 400CW CURTAIN WALL
ARCH. REF.: N/A
FRAMES: L



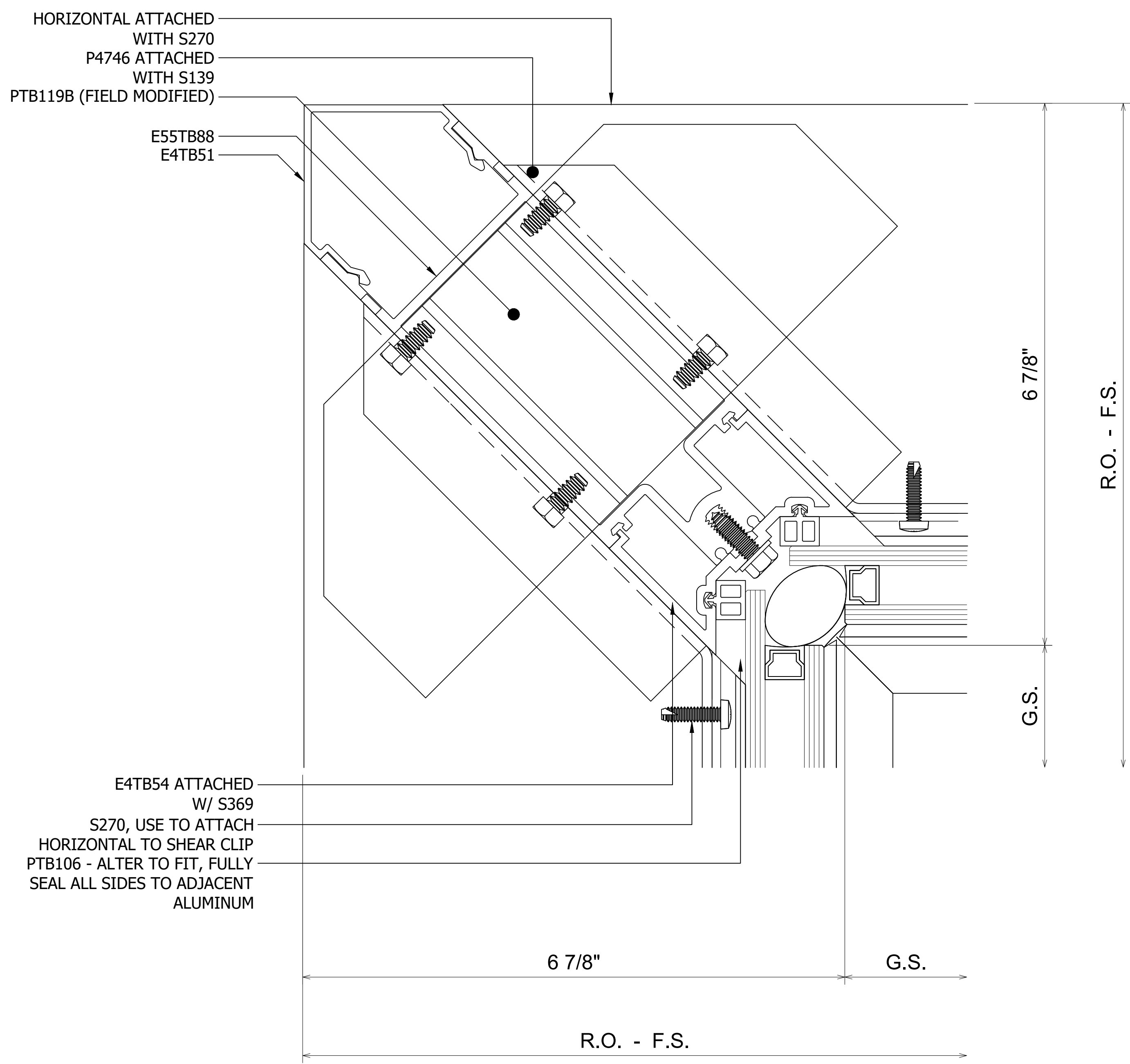
136 CORNER
1046 TUBELITE 400CW CURTAIN WALL
ARCH. REF.: N/A
FRAMES: K

SHEET NO.:		1046	
SCALE:		N.T.S.	
SCOPE:		ALUMINUM CURTAINWALL & STOREFRONT	
PROJECT:		NASHVILLE SC TRAINING FACILITY 4251 CENTURY FARMS TERRACE NASHVILLE, TN 37013	
ARCHITECTURAL PRODUCT SPECIALISTS		ALEXANDER METALS INC. 10705 WOODLAND AVENUE, NASHVILLE, TN 37203 PHONE: (615) 258-9070 FAX: (615) 258-9823 www.AlexanderMetalsInc.com	
BY:	REVISION	SUBMITTAL / REVISION	
CCW	THIRD SUBMITTAL (INTERIOR REVISIONS)	4.1 03.02.22	
CCW	FOURTH SUBMITTAL (INTERIOR REVISIONS)	5.1 03.31.22	
CCW	FIFTH SUBMITTAL (CURTAINWALL FIELD MEASUREMENTS)	6.1 06.15.22	
CCW	SIXTH SUBMITTAL (CURTAINWALL FIELD MEASUREMENTS)	6.2 06.20.22	
CCW	SEVENTH SUBMITTAL (CURTAINWALL FIELD MEASUREMENTS)	6.3 06.22.22	
CCW	EIGHTH SUBMITTAL (INTERIOR STOREFRONT FIELD MEASUREMENTS)	6.4 08.30.22	
JOB NO.		4047	
REV. NO.			
SHEET NO.:		1046	

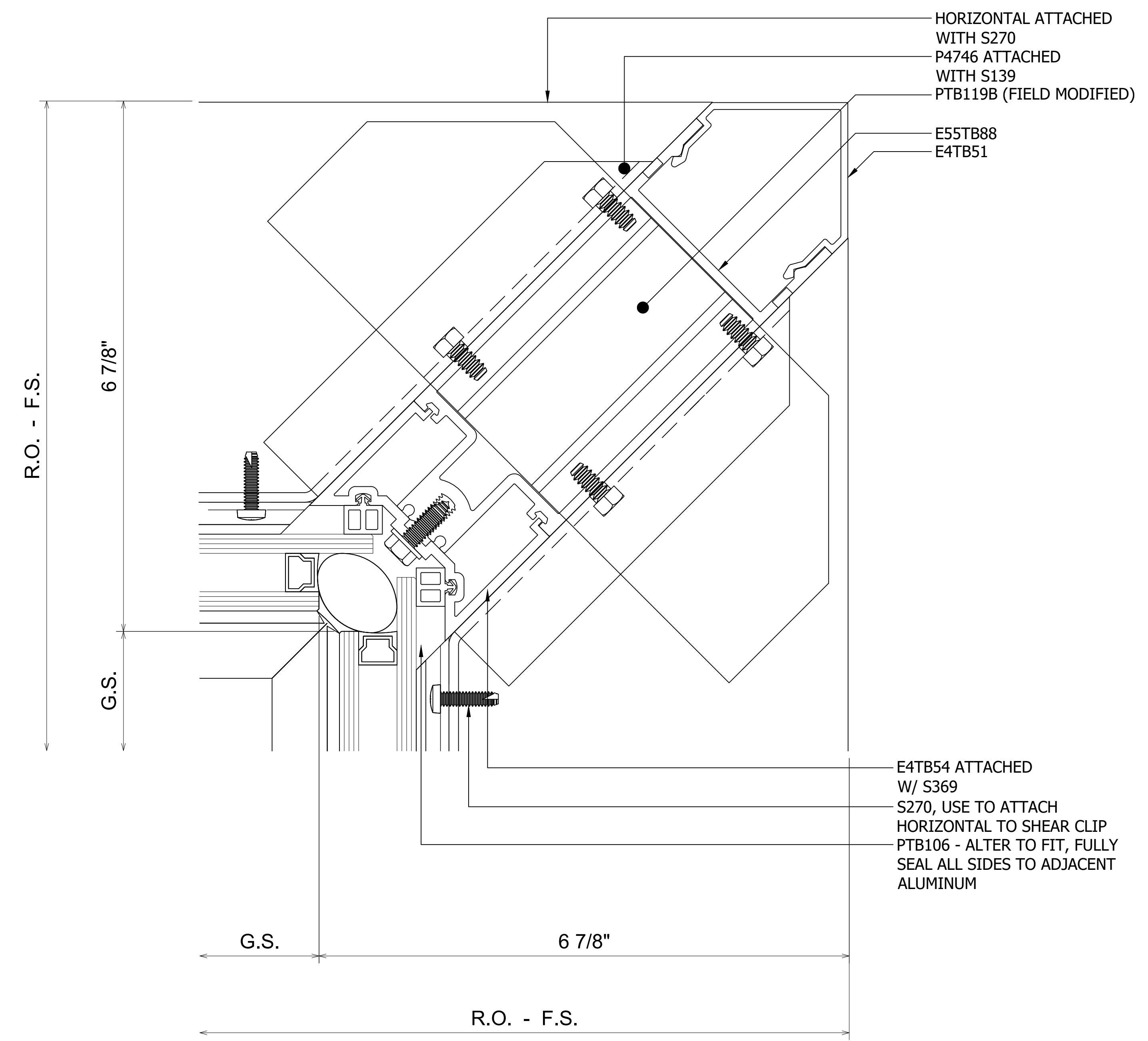


NO.	DATE	BY	REVISION
4.1	01.02.22	CCW	THIRD SUBMITTAL (INTERIOR REVISIONS)
5.1	03.31.22	CCW	FOURTH SUBMITTAL (INTERIOR REVISIONS)
6.1	06.15.22	CCW	FIFTH SUBMITTAL (CURTAINWALL FIELD MEASUREMENTS)
6.2	06.20.22	CCW	SIXTH SUBMITTAL (CURTAINWALL FIELD MEASUREMENTS)
6.3	06.22.22	CCW	SEVENTH SUBMITTAL (CURTAINWALL FIELD MEASUREMENTS)
6.4	08.30.22	CCW	EIGHTH SUBMITTAL (INTERIOR STOREFRONT FIELD MEASUREMENTS)

JOB NO.	4047
REV. NO.	



137 CORNER
1047 TUBELITE 400CW CURTAIN WALL
ARCH. REF.: N/A
FRAMES: K

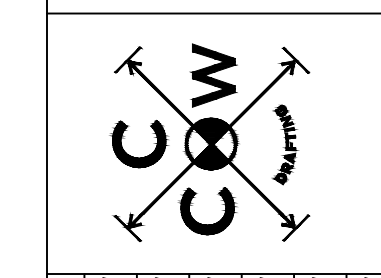


138 CORNER
1047 TUBELITE 400CW CURTAIN WALL
ARCH. REF.: N/A
FRAMES: J

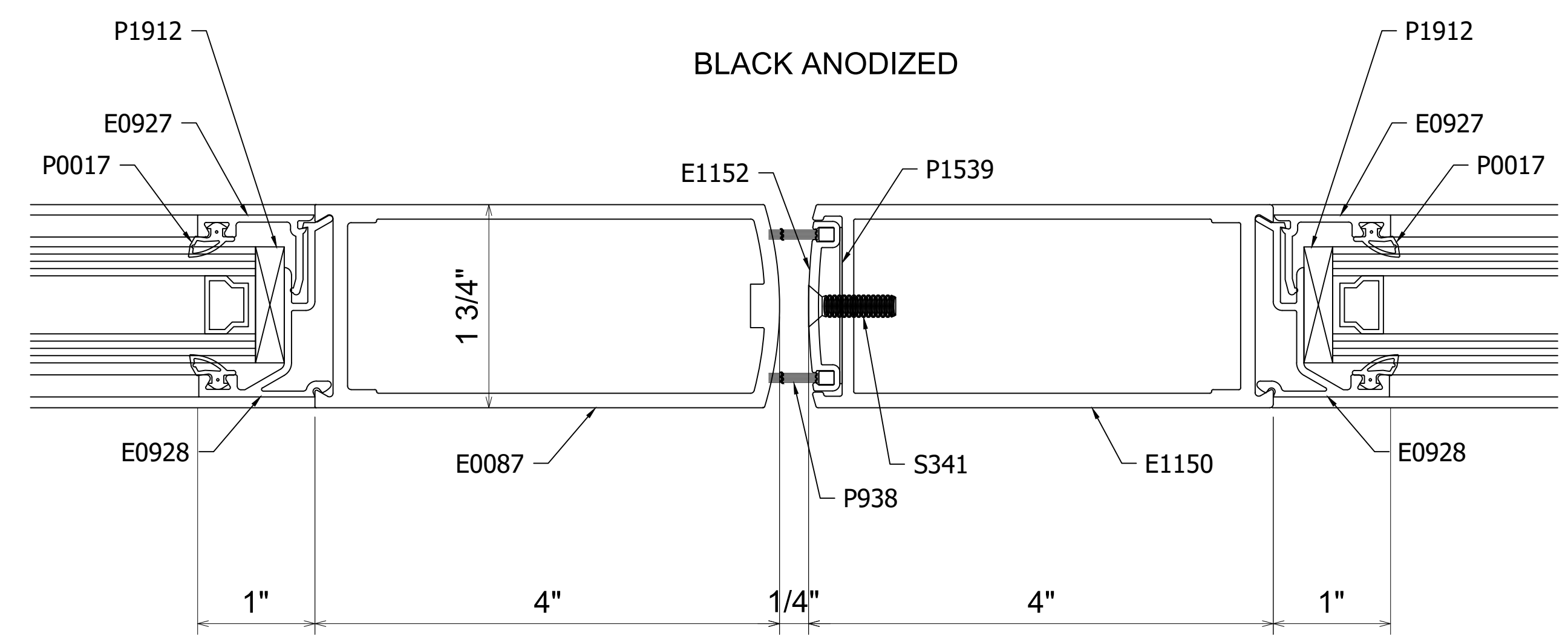
SCOPE:
ALUMINUM
CURTAINWALL
&
STOREFRONT

PROJECT:
NASHVILLE SC TRAINING FACILITY
4251 CENTURY FARMS TERRACE
NASHVILLE, TN 37013

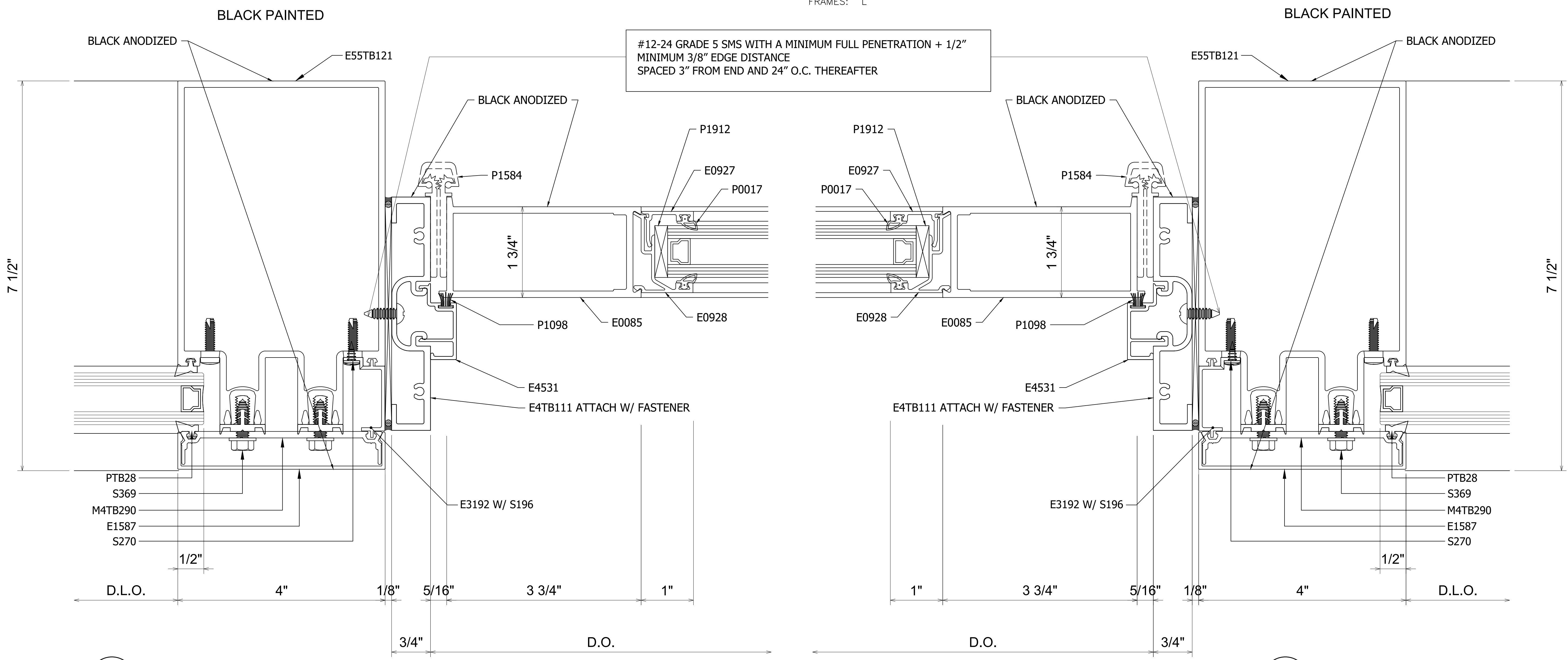
**ALEXANDER
METALS INC.**
ARCHITECTURAL PRODUCT SPECIALISTS
10705 BELLEVILLE AVENUE, NASHVILLE, TN 37217
PHONE: (615) 256-9070 FAX: (615) 256-9023
www.AlexanderMetalsInc.com



NO.	DATE	REVISION
4.1	02.22	THIRD SUBMITTAL (INTERIOR REVISIONS)
5.1	03.22	FOURTH SUBMITTAL (INTERIOR REVISIONS)
6.1	06.15.22	FIFTH SUBMITTAL (CURTAINWALL FIELD MEASUREMENTS)
6.2	06.20.22	SIXTH SUBMITTAL (CURTAINWALL FIELD MEASUREMENTS)
6.3	08.22.22	SEVENTH SUBMITTAL (CURTAINWALL FIELD MEASUREMENTS)
6.4	08.30.22	EIGHTH SUBMITTAL (INTERIOR STOREFRONT FIELD MEASUREMENTS)



139 MEETING STILE
1048 TUBELITE 400CW CURTAIN WALL
ARCH. REF.: N/A
FRAMES: L

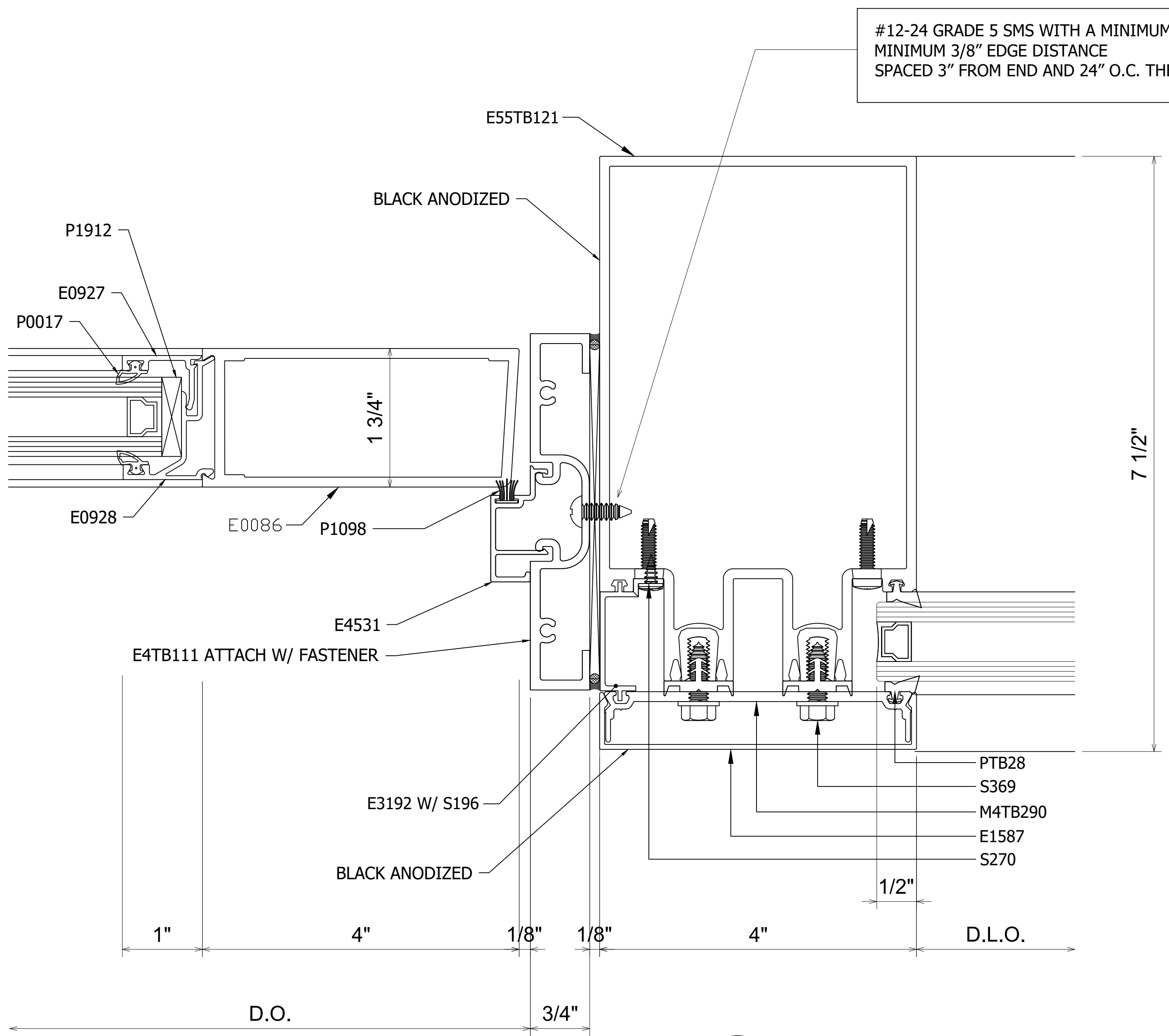


140 DOOR STILE
1048 TUBELITE 400CW CURTAIN WALL
ARCH. REF.: N/A
FRAMES: J - L

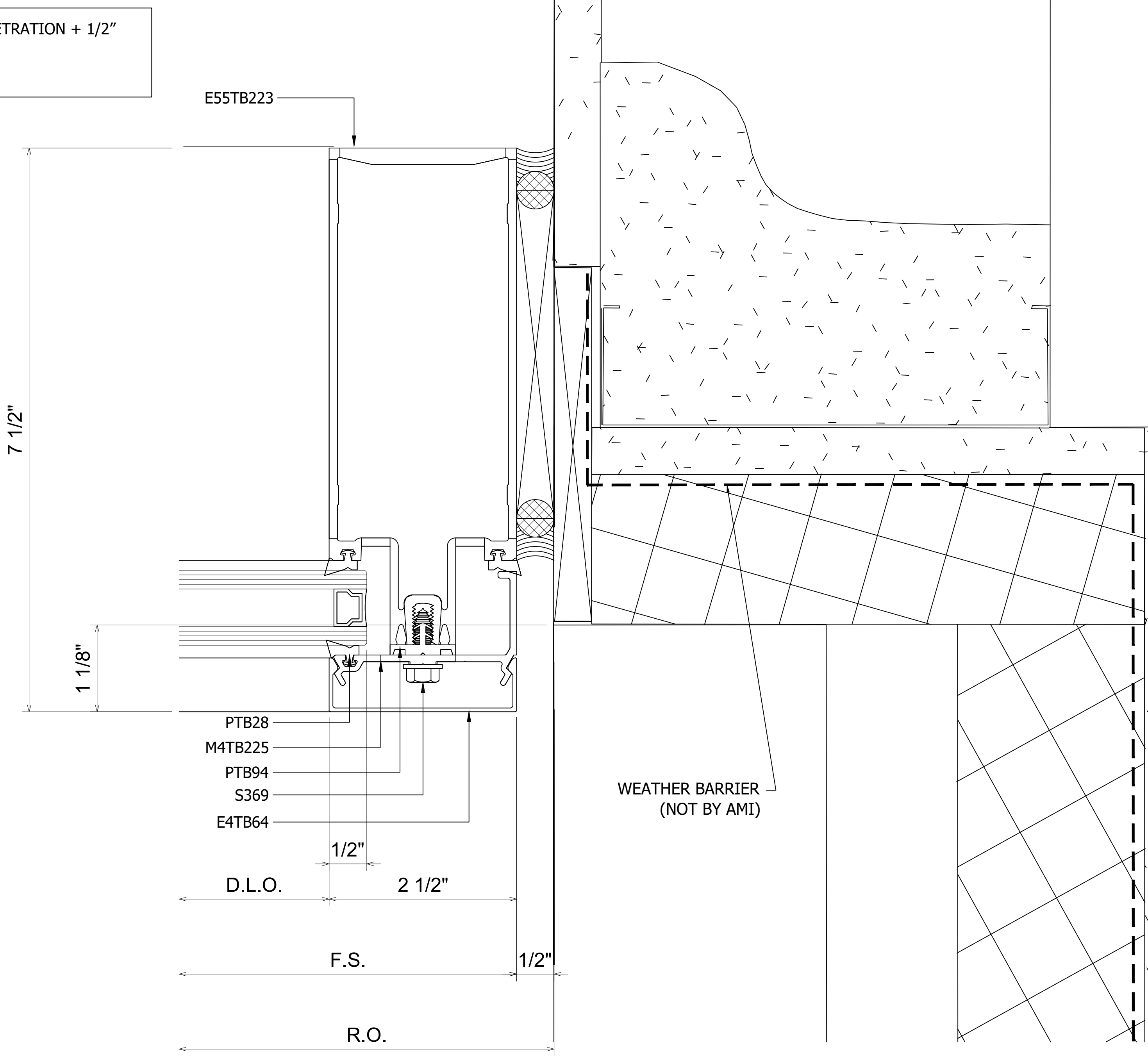
141 DOOR STILE
1048 TUBELITE 400CW CURTAIN WALL
ARCH. REF.: N/A
FRAMES: L

NO.	DATE	REVISION	BY
4.1	02/22	THIRD SUBMITTAL (INTERIOR REVISIONS)	CCW
5.1	03/12	FOURTH SUBMITTAL (INTERIOR REVISIONS)	CCW
6.1	06/15/22	FIFTH SUBMITTAL (CURTAINWALL FIELD MEASUREMENTS)	CCW
6.2	06/20/22	SIXTH SUBMITTAL (CURTAINWALL FIELD MEASUREMENTS)	CCW
6.3	06/22/22	SEVENTH SUBMITTAL (CURTAINWALL FIELD MEASUREMENTS)	CCW
6.4	08/30/22	EIGHTH SUBMITTAL (INTERIOR STOREFRONT FIELD MEASUREMENTS)	CCW

JOB NO.	4047
REV. NO.	



142 DOOR STILE
1049 TUBELITE 400CW CURTAIN WALL
ARCH. REF.: N/A
FRAMES: J



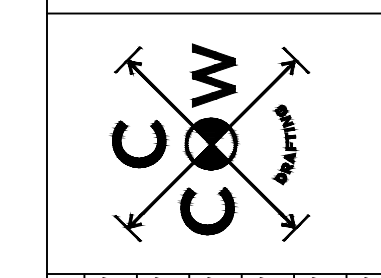
143 JAMB
1049 TUBELITE 400CW CURTAIN WALL
ARCH. REF.: 14/A530
FRAMES: L

WEATHER BARRIER
(NOT BY AMI)

SCOPE:
ALUMINUM
CURTAINWALL
&
STOREFRONT

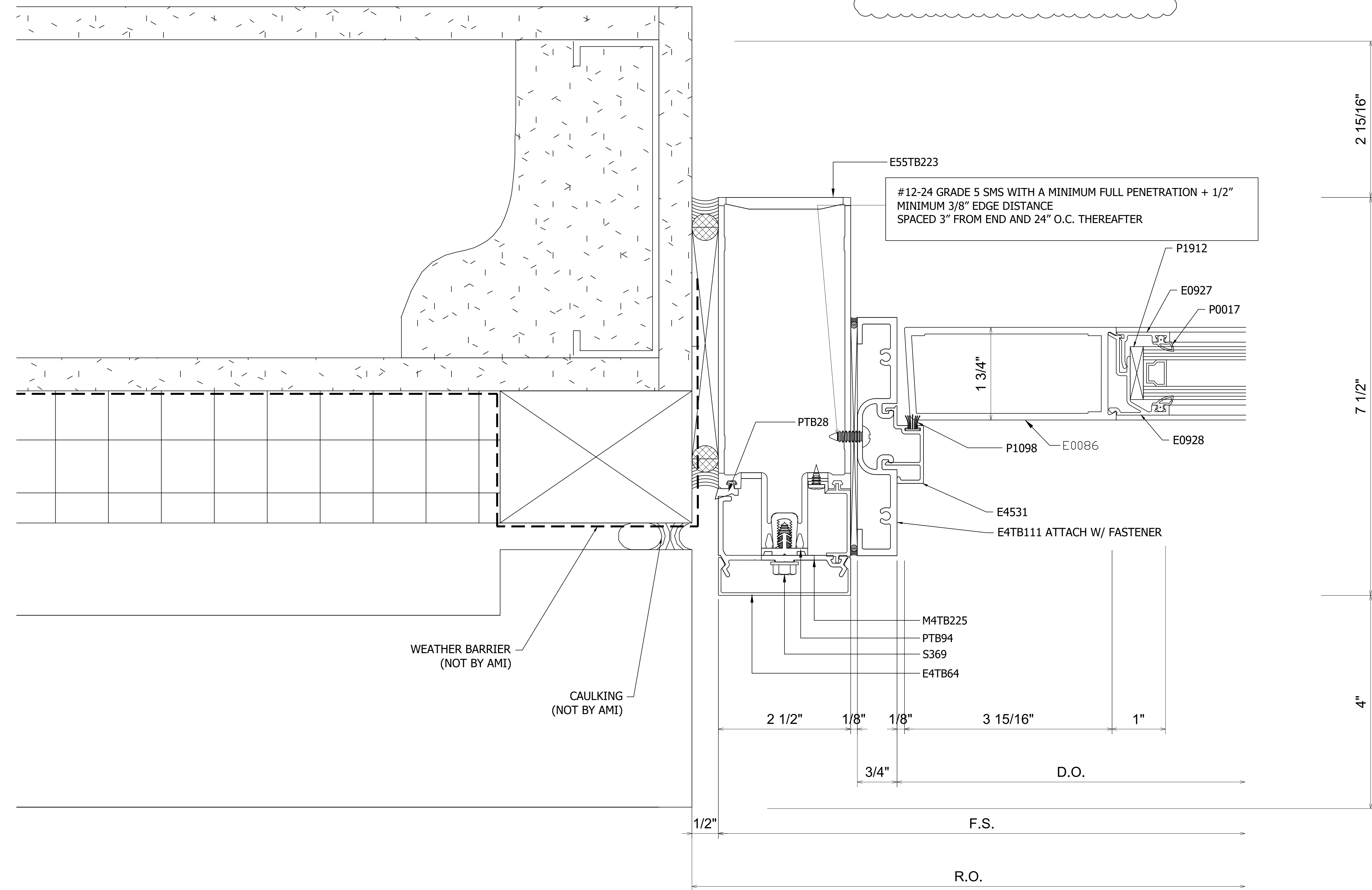
PROJECT:
NASHVILLE SC TRAINING FACILITY
4251 CENTURY FARMS TERRACE
NASHVILLE, TN 37013

**ALEXANDER
METALS INC.**
ARCHITECTURAL PRODUCT SPECIALISTS
407 COLLETSVILLE ROAD, NASHVILLE, TN 37210
PHONE: (615) 258-9070 FAX: (615) 258-9223
www.AlexanderMetalsInc.com

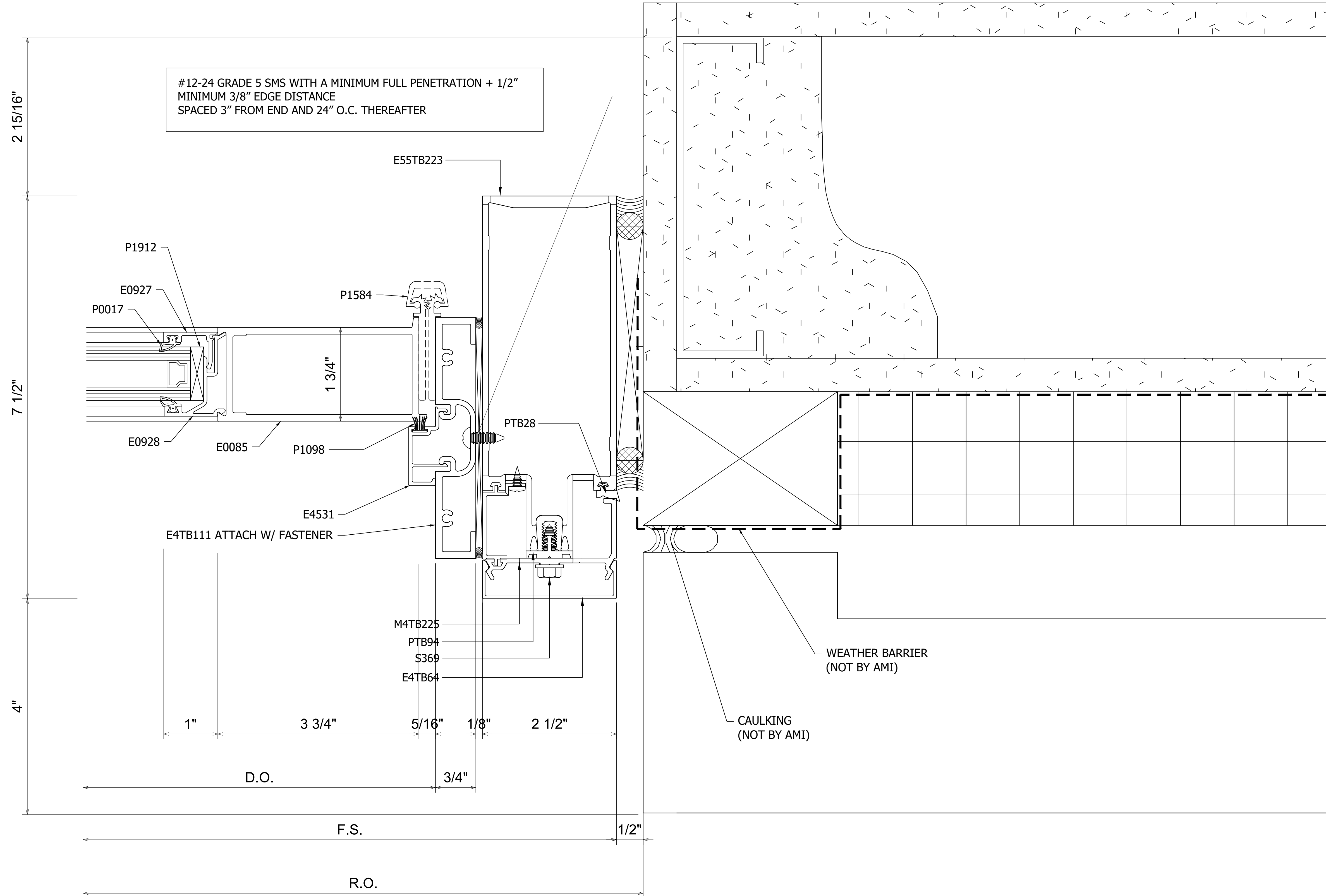


NO.	DATE	REVISION	BY
4.1	02/22	THIRD SUBMITTAL (INTERIOR REVISIONS)	CCW
5.1	03/12	FOURTH SUBMITTAL (INTERIOR REVISIONS)	CCW
6.1	06/15/22	FIFTH SUBMITTAL (CURTAINWALL FIELD MEASUREMENTS)	CCW
6.2	06/20/22	SIXTH SUBMITTAL (CURTAINWALL FIELD MEASUREMENTS)	CCW
6.3	06/22/22	SEVENTH SUBMITTAL (CURTAINWALL FIELD MEASUREMENTS)	CCW
6.4	08/30/22	EIGHTH SUBMITTAL (INTERIOR STOREFRONT FIELD MEASUREMENTS)	CCW

DOOR, MULLIONS, AND ALL HARDWARE
TO BE CLEAR ANODIZED



144 DOOR JAMB
1050 TUBELITE 400CW CURTAIN WALL
ARCH. REF.: N/A
FRAMES: R



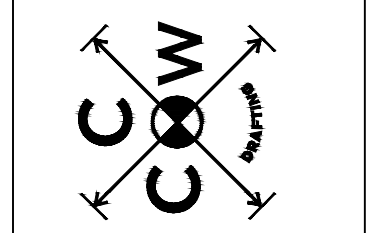
#12-24 GRADE 5 SMS WITH A MINIMUM FULL PENETRATION + 1/2"
 MINIMUM 3/8" EDGE DISTANCE
 SPACED 3" FROM END AND 24" O.C. THEREAFTER

145 DOOR JAMB
 1051 TUBELITE 400CW CURTAIN WALL
 ARCH. REF.: N/A
 FRAMES: R

SHEET NO.:
1051
 SCALE:
 N.T.S.

SCOPE:
 ALUMINUM
 CURTAINWALL &
 STOREFRONT
 PROJECT:
 NASHVILLE SC TRAINING FACILITY
 4251 CENTURY FARMS TERRACE
 NASHVILLE, TN 37013

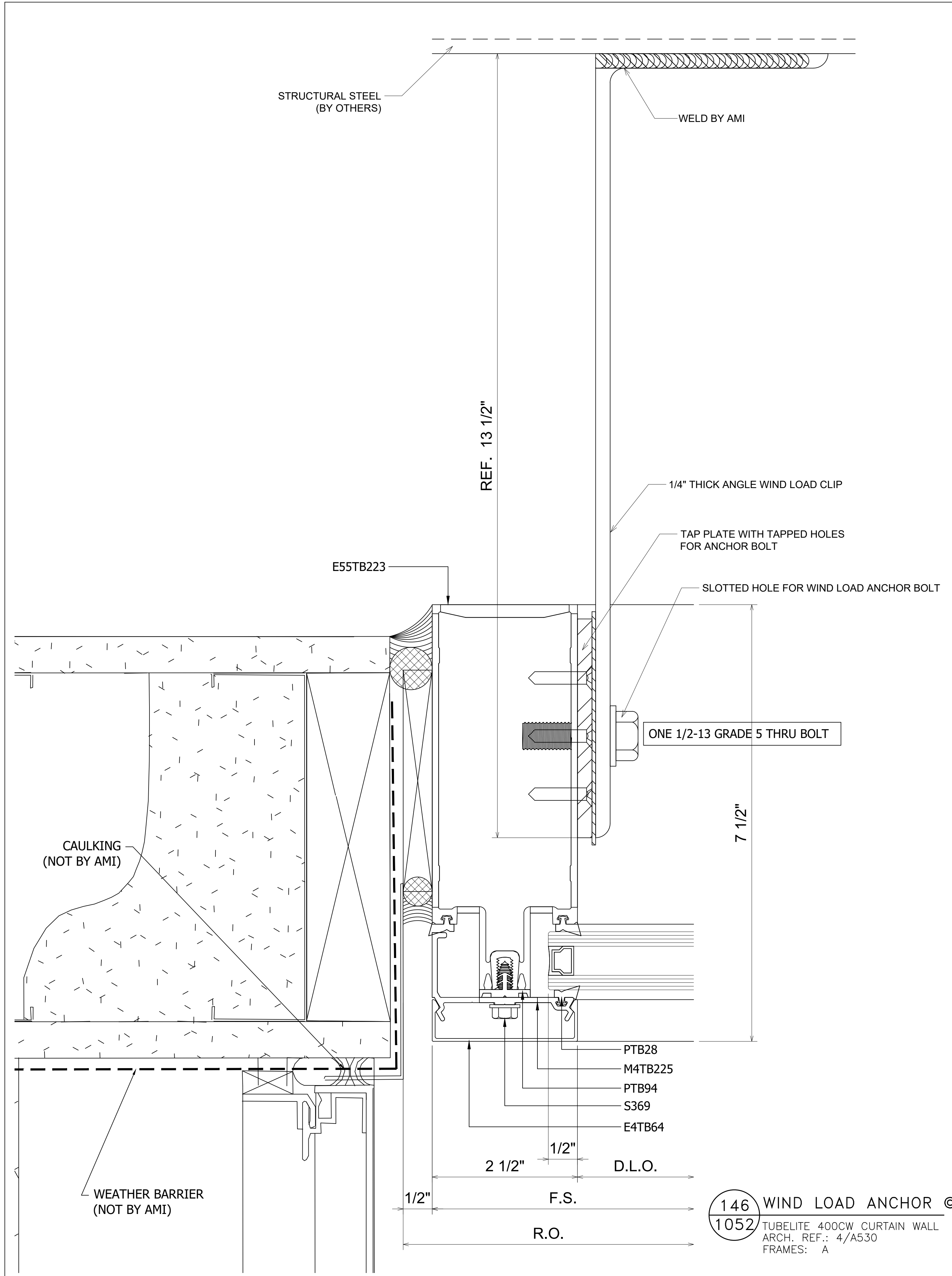
ALEXANDER METALS INC.
 ARCHITECTURAL PRODUCT SPECIALISTS
 401 GLENN AVENUE, NASHVILLE, TENNESSEE 37203
 PHONE: (615) 258-9070 FAX: (615) 258-9023
 www.AlexanderMetalsInc.com



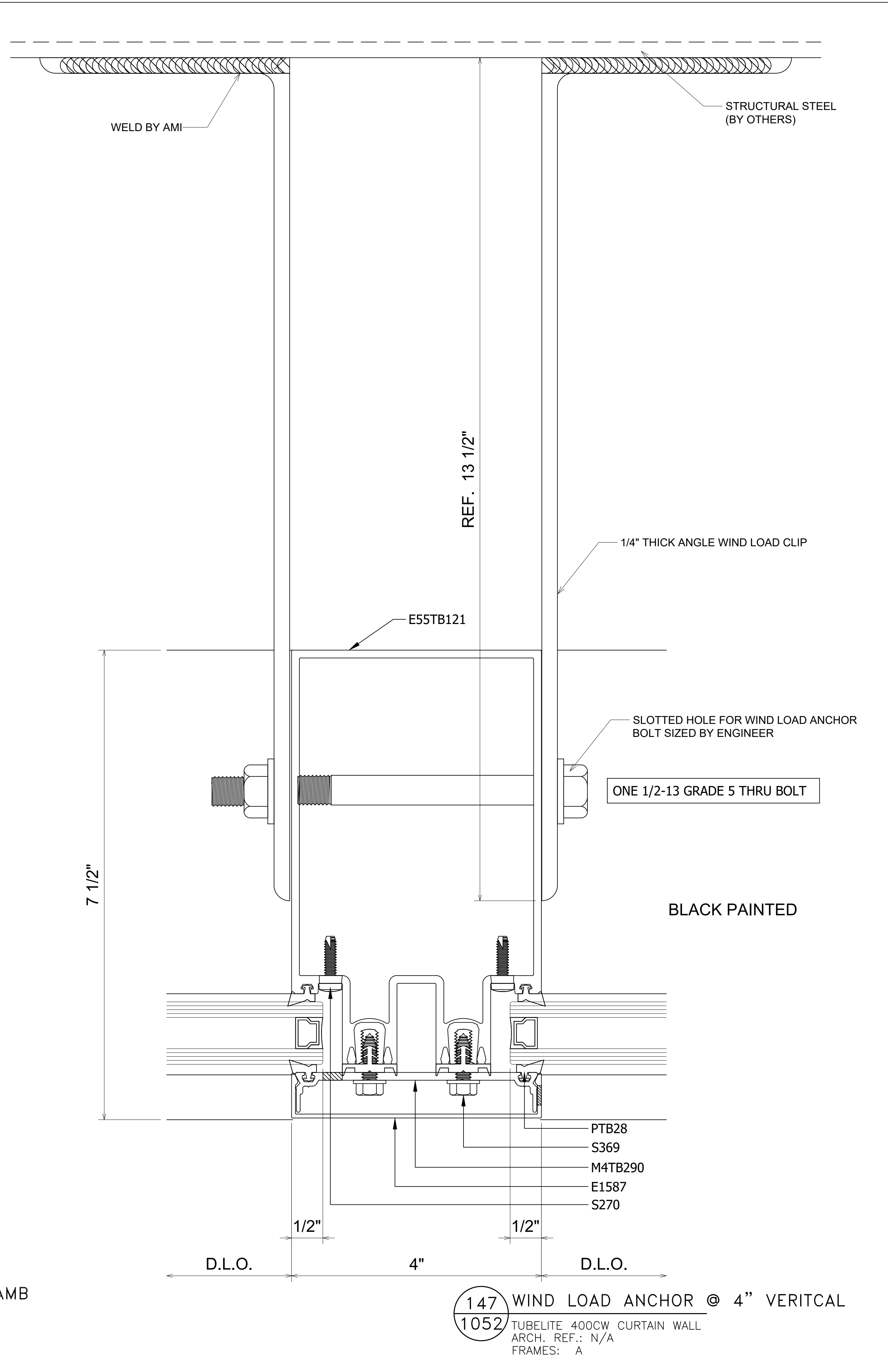
NO.	DATE	REVISION	BY
4.1	01.02.22	THIRD SUBMITTAL (INTERIOR REVISIONS)	CCW
5.1	03.31.22	FOURTH SUBMITTAL (INTERIOR REVISIONS)	CCW
6.1	06.15.22	FIFTH SUBMITTAL (CURTAINWALL FIELD MEASUREMENTS)	CCW
6.2	06.20.22	SIXTH SUBMITTAL (CURTAINWALL FIELD MEASUREMENTS)	CCW
6.3	06.22.22	SEVENTH SUBMITTAL (CURTAINWALL FIELD MEASUREMENTS)	CCW
6.4	08.30.22	EIGHTH SUBMITTAL (INTERIOR STOREFRONT FIELD MEASUREMENTS)	CCW

JOB NO. 4047
 REV. NO.

SHEET NO.:
1051

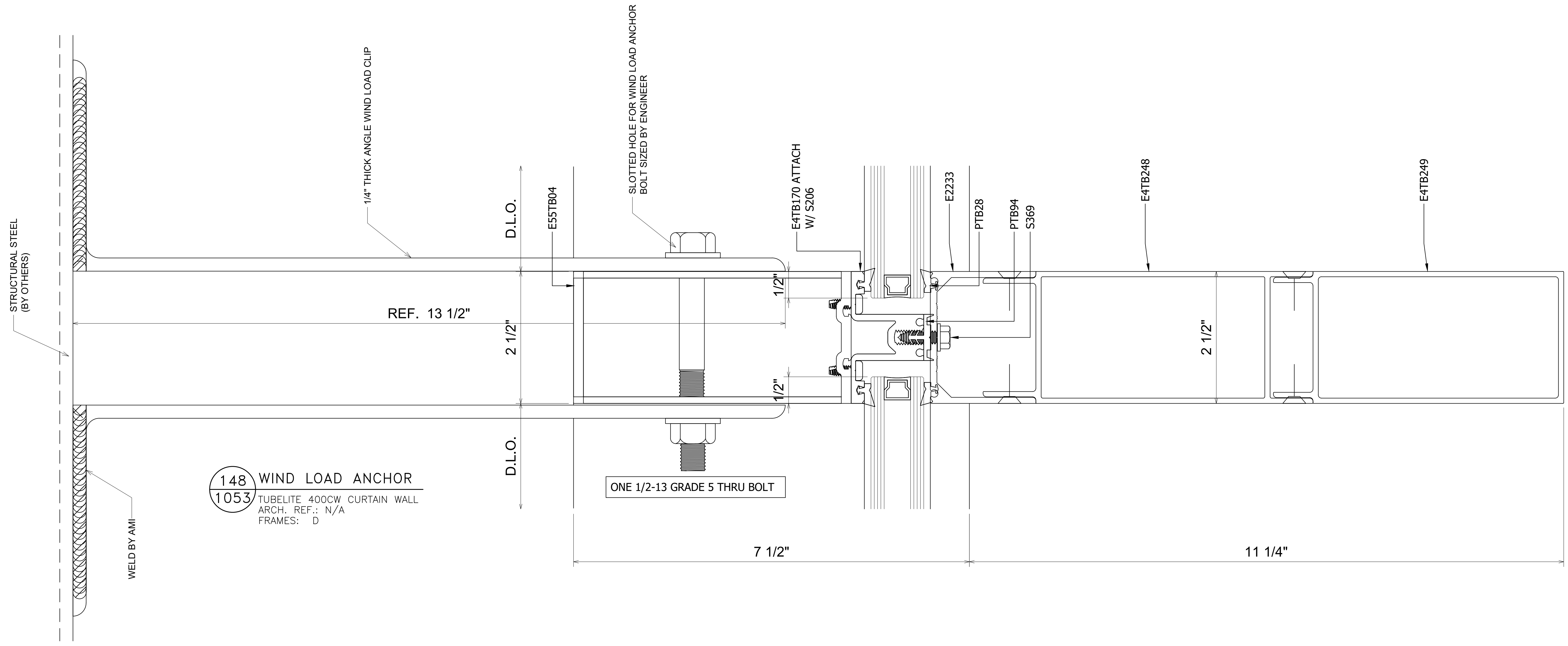


146 WIND LOAD ANCHOR @ JAMB
 1052 TUBELITE 400CW CURTAIN WALL
 ARCH. REF.: 4/A530
 FRAMES: A



147 WIND LOAD ANCHOR @ 4" VERTICAL
 1052 TUBELITE 400CW CURTAIN WALL
 ARCH. REF.: N/A
 FRAMES: A

SHEET NO.:		1052	
SCALE:		N.T.S.	
SCOPE:		ALUMINUM CURTAINWALL & STOREFRONT	
PROJECT:		NASHVILLE SC TRAINING FACILITY 4251 CENTURY FARMS TERRACE NASHVILLE, TN 37013	
ARCHITECTURAL PRODUCT SPECIALISTS		ALEXANDER METALS INC. 107 CEDAR HOLLOW, NASHVILLE, TENNESSEE 37203 PHONE: (615) 258-9070 FAX: (615) 258-9623 www.AlexanderMetalsInc.com	
BY:		ECW	
SUBMITTAL / REVISION		ECW	
NO.	DATE	THIRD SUBMITTAL (INTERIOR REVISIONS)	ECW
4.1	03.22	FOURTH SUBMITTAL (INTERIOR REVISIONS)	ECW
5.1	03.22	FIFTH SUBMITTAL (CURTAINWALL FIELD MEASUREMENTS)	ECW
6.1	06.15.22	SIXTH SUBMITTAL (CURTAINWALL FIELD MEASUREMENTS)	ECW
6.2	06.20.22	SEVENTH SUBMITTAL (CURTAINWALL FIELD MEASUREMENTS)	ECW
6.3	08.22.22	EIGHTH SUBMITTAL (CURTAINWALL FIELD MEASUREMENTS)	ECW
6.4	08.30.22	NINTH SUBMITTAL (INTERIOR STOREFRONT FIELD MEASUREMENTS)	ECW
JOB NO.:		4047	
REV. NO.:			
SHEET NO.:		1052	



148 WIND LOAD ANCHOR
 1053 TUBELITE 400CW CURTAIN WALL
 ARCH. REF.: N/A
 FRAMES: D

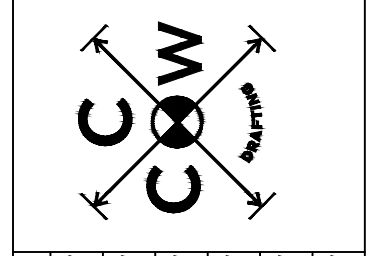
ONE 1/2-13 GRADE 5 THRU BOLT

SHEET NO.:
1053
 SCALE:
 N.T.S.

SCOPE:
 ALUMINUM
 CURTAINWALL &
 STOREFRONT

PROJECT:
 NASHVILLE SC TRAINING FACILITY
 4251 CENTURY FARMS TERRACE
 NASHVILLE, TN 37013

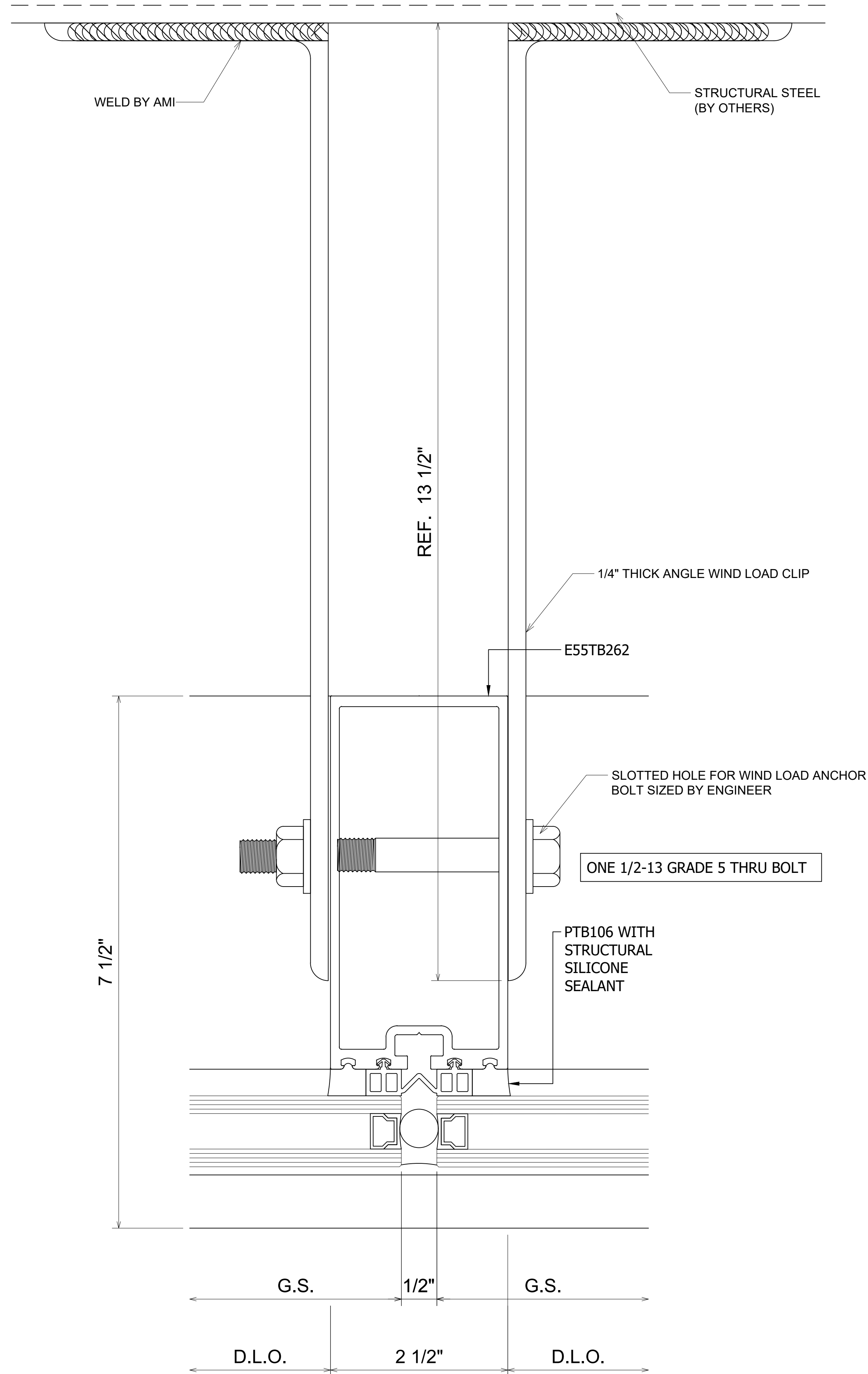
**ALEXANDER
 METALS INC.**
 ARCHITECTURAL PRODUCT SPECIALISTS
 10705 BELLEVILLE AVENUE, NASHVILLE, TN 37203
 PHONE: (615) 258-9070 FAX: (615) 258-9023
 www.AlexanderMetalsInc.com



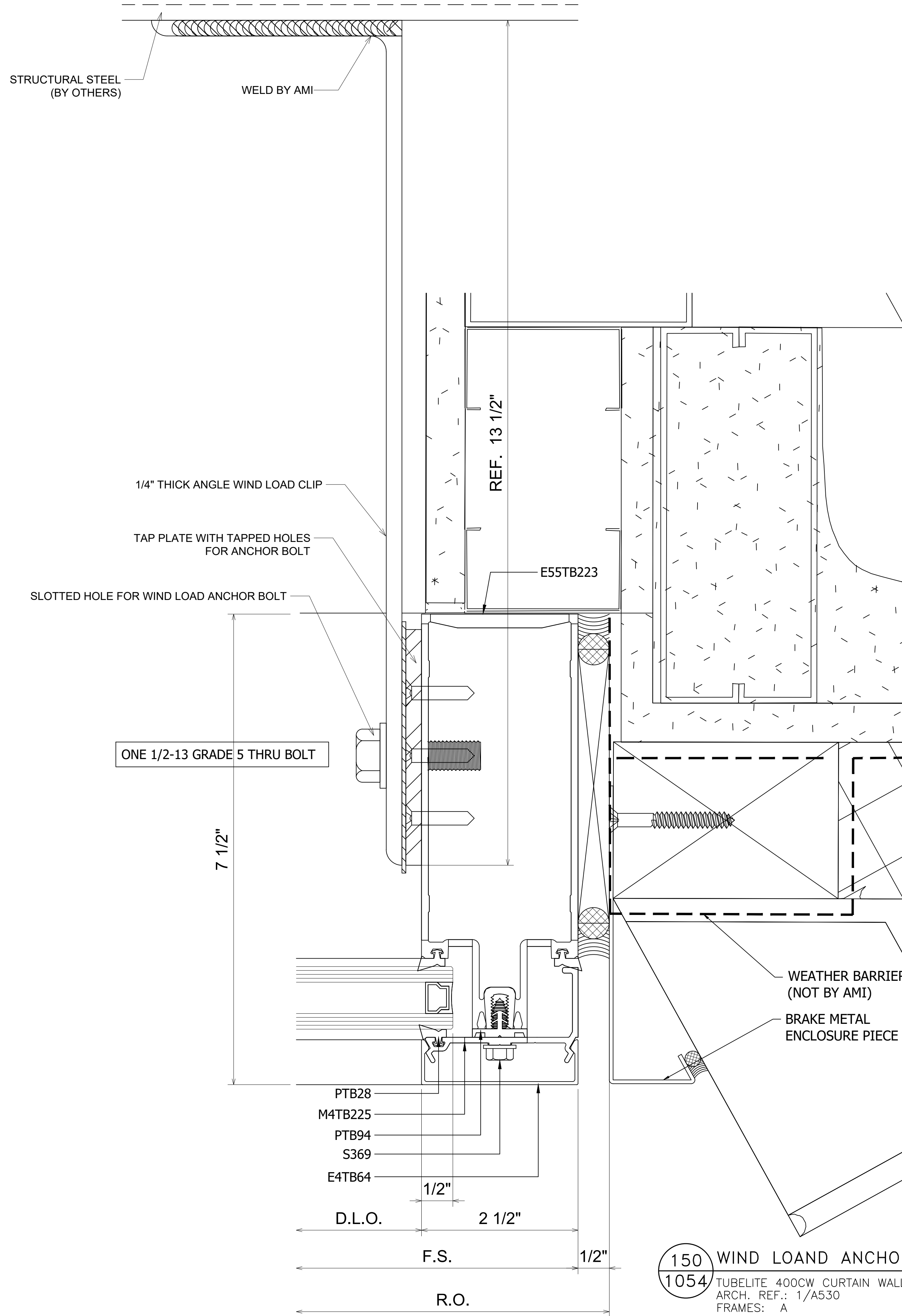
NO.	DATE	BY	SUBMITTAL / REVISION
4.1	03.02.22	CCW	THIRD SUBMITTAL (INTERIOR REVISIONS)
5.1	03.31.22	CCW	FOURTH SUBMITTAL (INTERIOR REVISIONS)
6.1	06.15.22	CCW	FIFTH SUBMITTAL (CURTAINWALL FIELD MEASUREMENTS)
6.2	06.20.22	CCW	SIXTH SUBMITTAL (CURTAINWALL FIELD MEASUREMENTS)
6.3	06.22.22	CCW	SEVENTH SUBMITTAL (CURTAINWALL FIELD MEASUREMENTS)
6.4	08.30.22	CCW	EIGHTH SUBMITTAL (INTERIOR STOREFRONT FIELD MEASUREMENTS)

JOB NO. 4047
 REV. NO.

SHEET NO.:
1053



149 WIND LOAD ANCHOR
 1054 TUBELITE 400CW CURTAIN WALL
 ARCH. REF.: N/A
 FRAMES: A - D



150 WIND LOAD ANCHOR © JAMB
 1054 TUBELITE 400CW CURTAIN WALL
 ARCH. REF.: 1/A530
 FRAMES: A

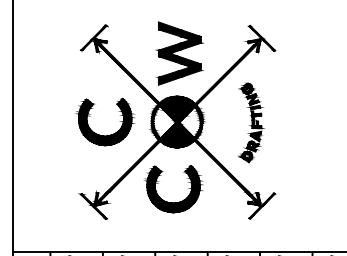
SHEET NO.:
1054

SCALE:
 N.T.S.

SCOPE:
 ALUMINUM
 CURTAINWALL &
 STOREFRONT

PROJECT:
 NASHVILLE SC TRAINING FACILITY
 4251 CENTURY FARMS TERRACE
 NASHVILLE, TN 37013

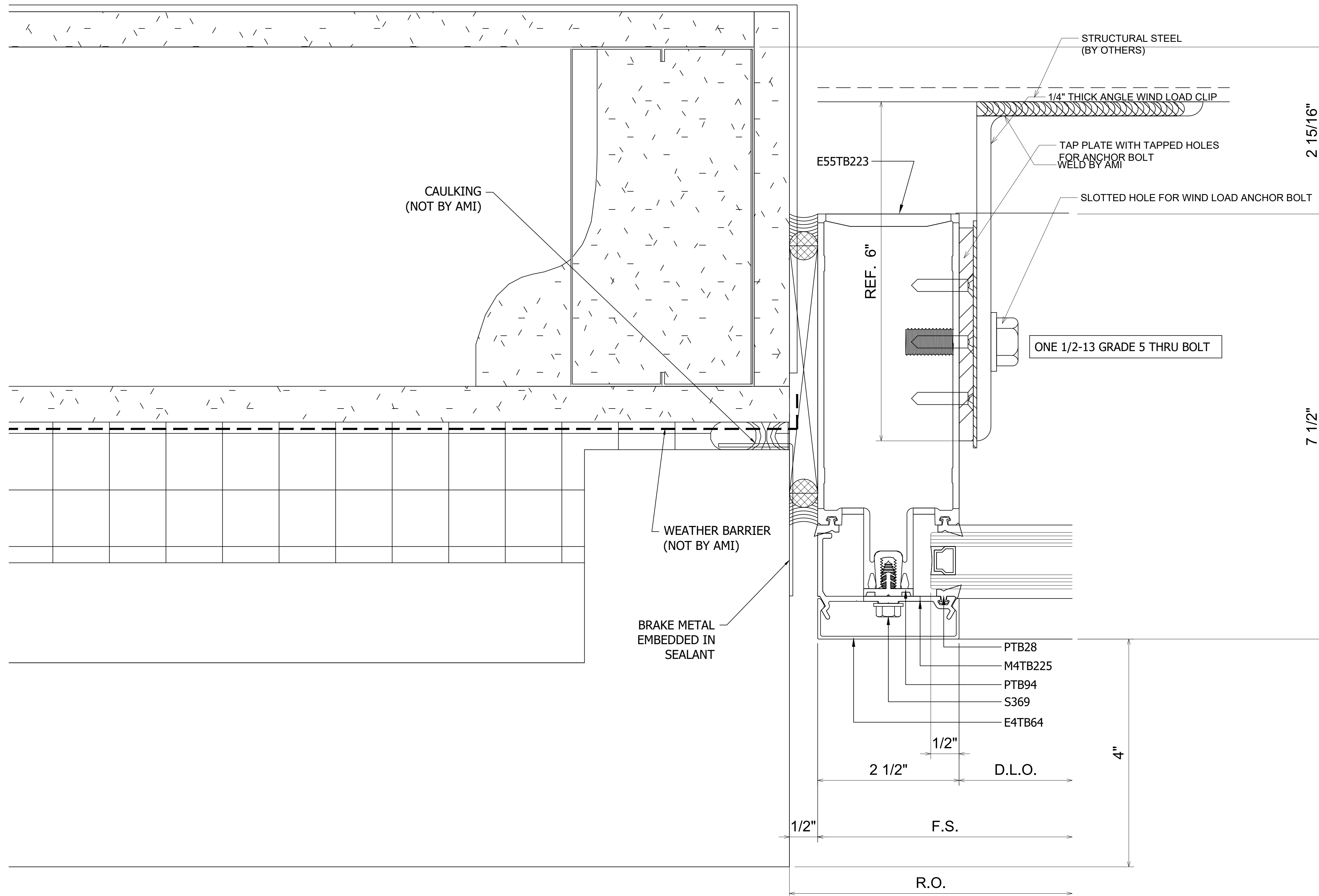
ALEXANDER METALS INC.
 ARCHITECTURAL PRODUCT SPECIALISTS
 10705 GLENNDALE TOWN SQUARE, SUITE 2700
 NASHVILLE, TENNESSEE 37217
 PHONE: (615) 258-9070 FAX: (615) 258-9023
 www.AlexanderMetalsInc.com



NO.	DATE	REVISION
4.1	02.02.22	THIRD SUBMITTAL (INTERIOR REVISIONS)
5.1	03.31.22	FOURTH SUBMITTAL (INTERIOR REVISIONS)
6.1	06.15.22	FIFTH SUBMITTAL (CURTAINWALL FIELD MEASUREMENTS)
6.2	06.20.22	SIXTH SUBMITTAL (CURTAINWALL FIELD MEASUREMENTS)
6.3	08.22.22	SEVENTH SUBMITTAL (CURTAINWALL FIELD MEASUREMENTS)
6.4	09.30.22	EIGHTH SUBMITTAL (INTERIOR STOREFRONT FIELD MEASUREMENTS)

BY: CCW
 JOB NO.: 4047
 REV. NO.:

SHEET NO.:
1054



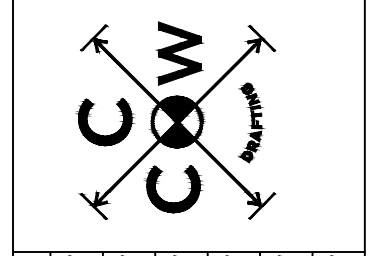
151 WIND LOAD ANCHOR @ JAMB
 1055 TUBELITE 400CW CURTAIN WALL
 ARCH. REF.: 3/A530
 FRAMES: B

SHEET NO.:
1055
 SCALE:
 N.T.S.

SCOPE:
 ALUMINUM
 CURTAINWALL &
 STOREFRONT

PROJECT:
 NASHVILLE SC TRAINING FACILITY
 4251 CENTURY FARMS TERRACE
 NASHVILLE, TN 37013

**ALEXANDER
 METALS INC.**
 ARCHITECTURAL PRODUCT SPECIALISTS
 10705 GLENNDALE TERRACE, SUITE 200
 NASHVILLE, TN 37203
 PHONE: (615) 258-9070 FAX: (615) 258-9223
 www.AlexanderMetalsInc.com

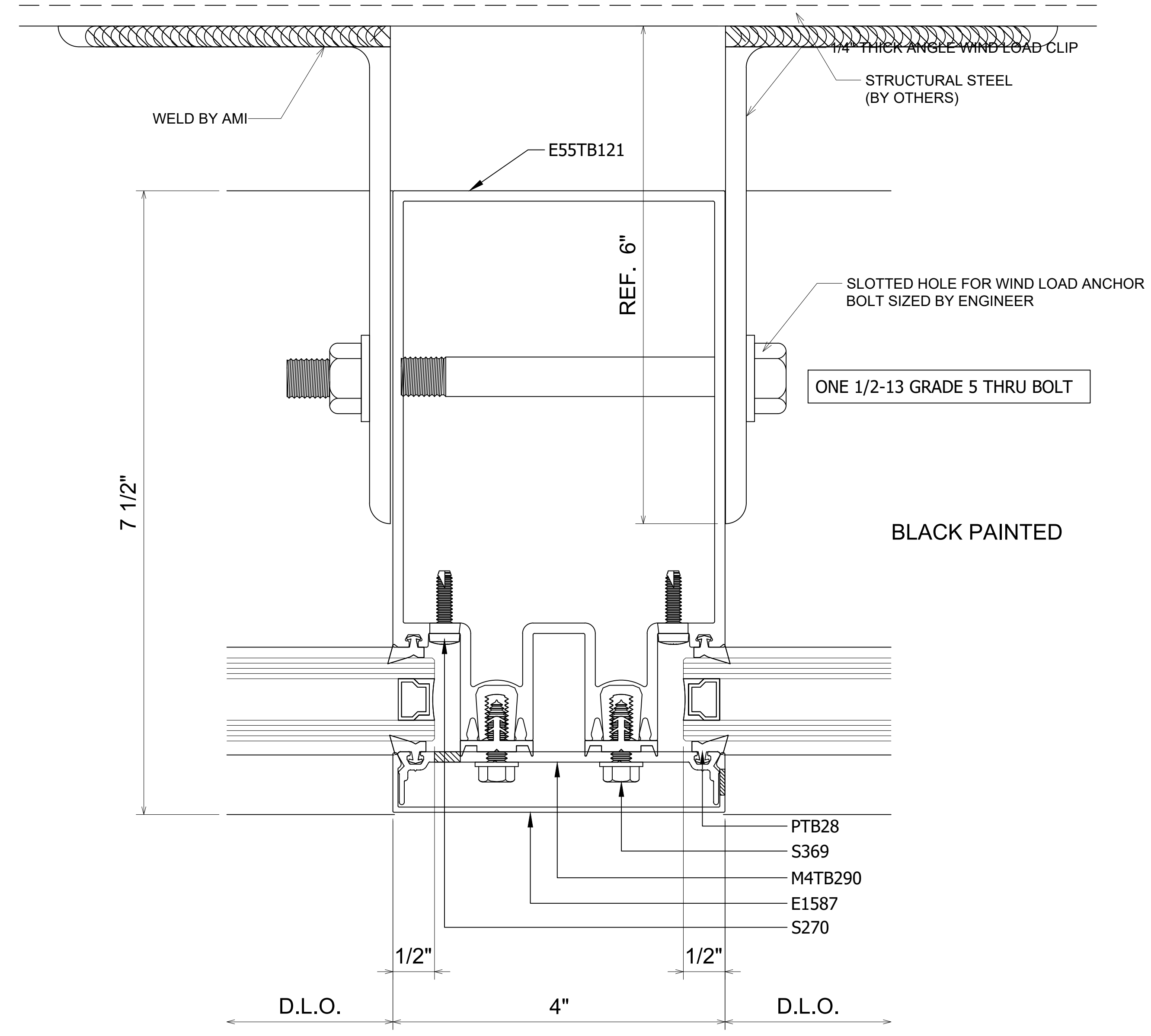


NO.	DATE	REVISION	BY
4.1	01/02/22	THIRD SUBMITTAL (INTERIOR REVISIONS)	CCW
5.1	03/31/22	FOURTH SUBMITTAL (INTERIOR REVISIONS)	CCW
6.1	06/15/22	FIFTH SUBMITTAL (CURTAINWALL FIELD MEASUREMENTS)	CCW
6.2	06/20/22	SIXTH SUBMITTAL (CURTAINWALL FIELD MEASUREMENTS)	CCW
6.3	06/22/22	SEVENTH SUBMITTAL (CURTAINWALL FIELD MEASUREMENTS)	CCW
6.4	08/30/22	EIGHTH SUBMITTAL (INTERIOR STOREFRONT FIELD MEASUREMENTS)	CCW

JOB NO. 4047

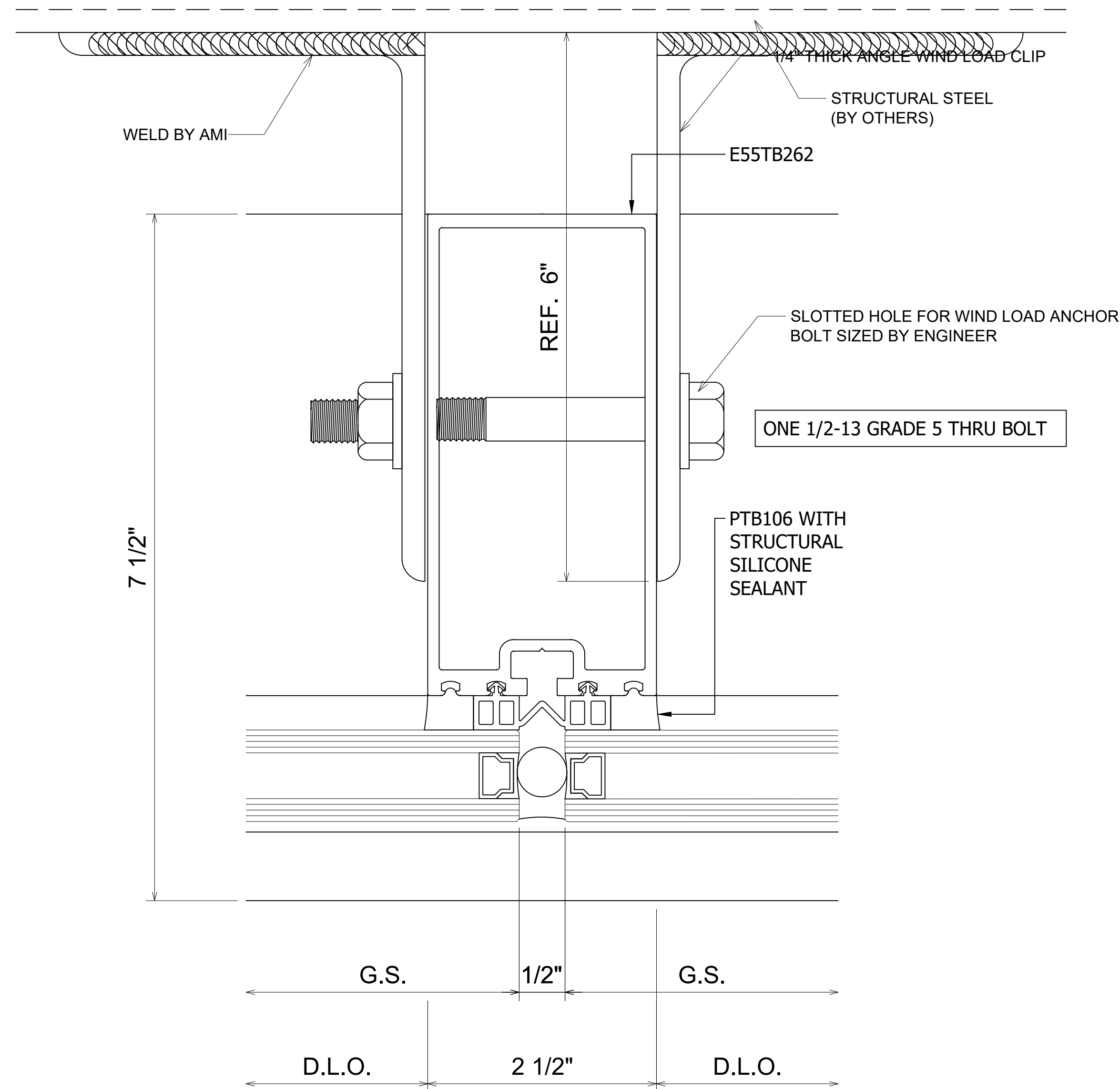
REV. NO.

SHEET NO.:
1055



152 WIND LOAD ANCHOR @ 4" VERTICAL
 1056 TUBELITE 400CW CURTAIN WALL
 ARCH. REF.: N/A
 FRAMES: B

SHEET NO.:		1056	
SCALE:		N.T.S.	
SCOPE:		ALUMINUM CURTAINWALL & STOREFRONT	
PROJECT:		NASHVILLE SC TRAINING FACILITY 4251 CENTURY FARMS TERRACE NASHVILLE, TN 37013	
ARCHITECT:		ALEXANDER METALS INC. ARCHITECTURAL PRODUCT SPECIALISTS 10701 GLENN AVENUE, NASHVILLE, TENNESSEE 37203 PHONE: (615) 258-9070 FAX: (615) 258-9823 www.AlexanderMetalsInc.com	
BY:		CCW	
NO.	DATE	SUBMITTAL / REVISION	
4.1	03.02.22	THIRD SUBMITTAL (INTERIOR REVISIONS)	CCW
5.1	03.31.22	FOURTH SUBMITTAL (INTERIOR REVISIONS)	CCW
6.1	06.15.22	FIFTH SUBMITTAL (CURTAINWALL FIELD MEASUREMENTS)	CCW
6.2	06.20.22	SIXTH SUBMITTAL (CURTAINWALL FIELD MEASUREMENTS)	CCW
6.3	06.22.22	SEVENTH SUBMITTAL (CURTAINWALL FIELD MEASUREMENTS)	CCW
6.4	08.30.22	EIGHTH SUBMITTAL (INTERIOR STOREFRONT FIELD MEASUREMENTS)	CCW
JOB NO.		4047	
REV. NO.			
SHEET NO.:		1056	



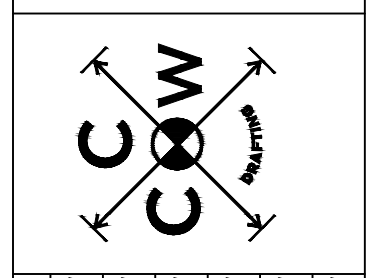
153 WIND LOAD ANCHOR
 1057 TUBELITE 400CW CURTAIN WALL
 ARCH. REF.: N/A
 FRAMES: B

SHEET NO.:
1057
 SCALE:
 N.T.S.

SCOPE:
 ALUMINUM
 CURTAINWALL &
 STOREFRONT

PROJECT:
 NASHVILLE SC TRAINING FACILITY
 4251 CENTURY FARMS TERRACE
 NASHVILLE, TN 37013

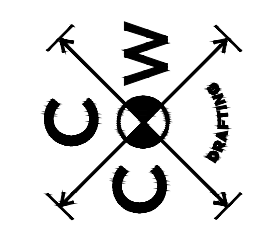
ALEXANDER METALS INC.
 ARCHITECTURAL PRODUCT SPECIALISTS
 10705 GLENNDALE AVENUE, SUITE 2700
 NASHVILLE, TENNESSEE 37210
 PHONE: (615) 258-9070 FAX: (615) 258-9223
 www.AlexanderMetalsInc.com



NO.	DATE	SUBMITTAL / REVISION	BY
4.1	03.02.22	THIRD SUBMITTAL (INTERIOR REVISIONS)	CCW
5.1	03.31.22	FOURTH SUBMITTAL (INTERIOR REVISIONS)	CCW
6.1	06.15.22	FIFTH SUBMITTAL (CURTAINWALL FIELD MEASUREMENTS)	CCW
6.2	06.20.22	SIXTH SUBMITTAL (CURTAINWALL FIELD MEASUREMENTS)	CCW
6.3	06.22.22	SEVENTH SUBMITTAL (CURTAINWALL FIELD MEASUREMENTS)	CCW
6.4	08.30.22	EIGHTH SUBMITTAL (INTERIOR STOREFRONT FIELD MEASUREMENTS)	CCW

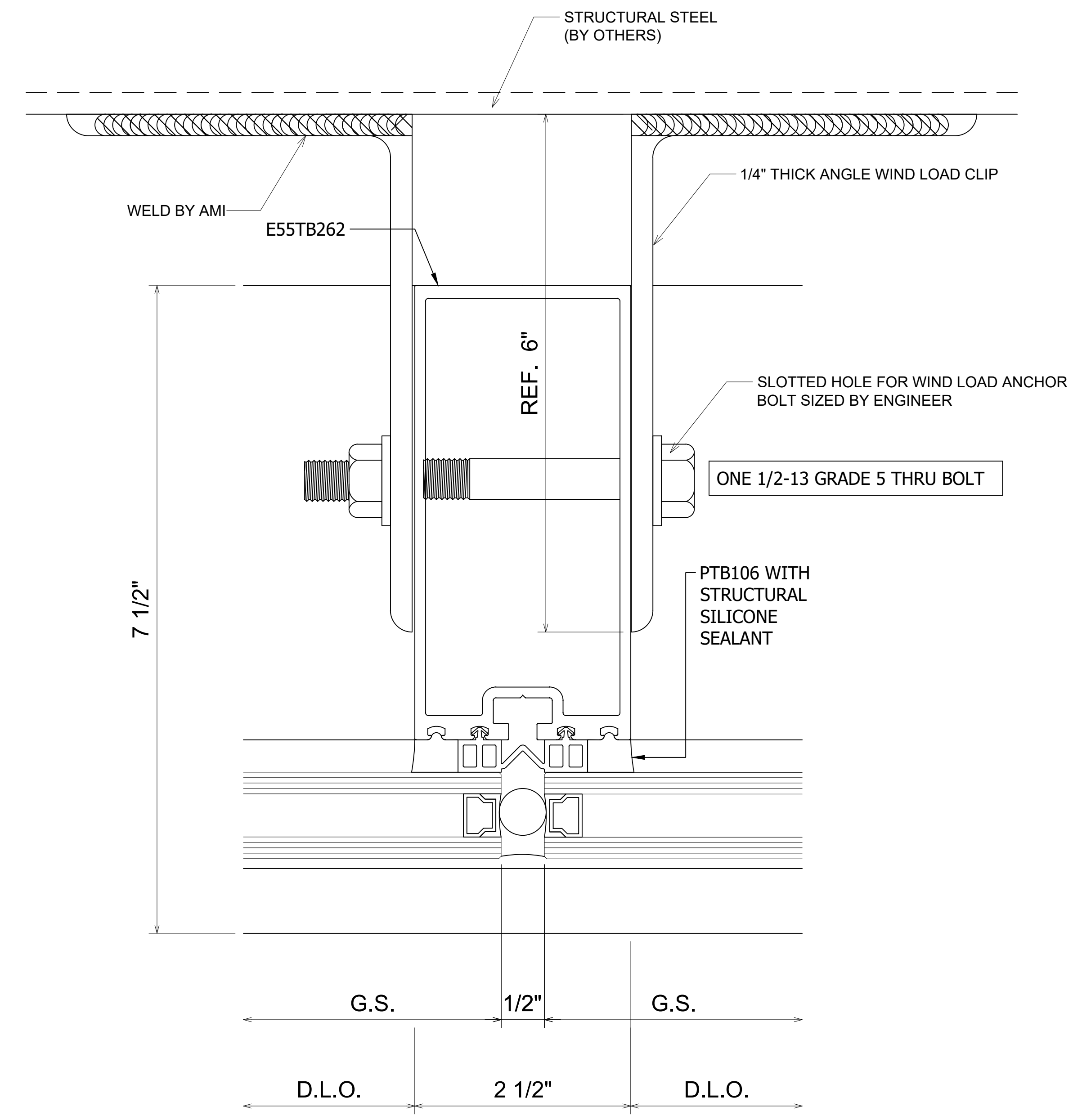
JOB NO. 4047
 REV. NO.

SHEET NO.:
1057

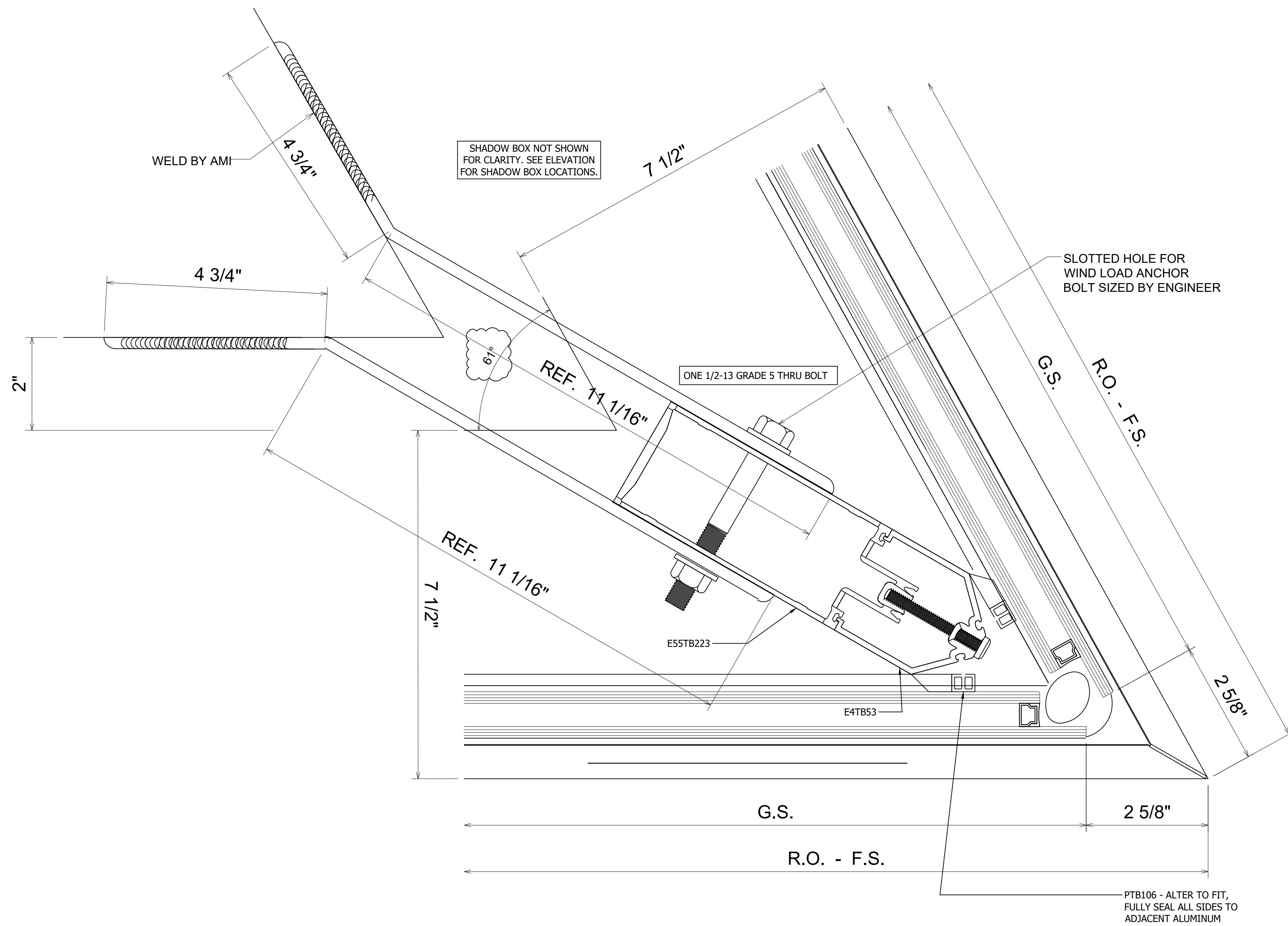


NO.	DATE	BY	REVISION
4.1	03.02.22	CCW	THIRD SUBMITTAL (INTERIOR REVISIONS)
5.1	03.31.22	CCW	FOURTH SUBMITTAL (INTERIOR REVISIONS)
6.1	06.15.22	CCW	FIFTH SUBMITTAL (CURTAINWALL FIELD MEASUREMENTS)
6.2	06.20.22	CCW	SIXTH SUBMITTAL (CURTAINWALL FIELD MEASUREMENTS)
6.3	06.22.22	CCW	SEVENTH SUBMITTAL (CURTAINWALL FIELD MEASUREMENTS)
6.4	08.30.22	CCW	EIGHTH SUBMITTAL (INTERIOR STOREFRONT FIELD MEASUREMENTS)

JOB NO. 4047
REV. NO.



154 WIND LOAD ANCHOR
1058 TUBELITE 400CW CURTAIN WALL
ARCH. REF.: N/A
FRAMES: D



155 CORNER
1059 TUBELITE 400CW CURTAIN WALL
 ARCH. REF.: N/A
 FRAMES: B

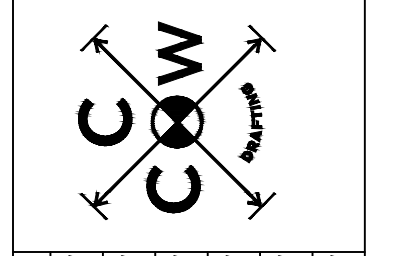
SHEET NO.:
1059

SCALE:
N.T.S.

SCOPE:
ALUMINUM
CURTAINWALL &
STOREFRONT

PROJECT:
NASHVILLE SC TRAINING FACILITY
4251 CENTURY FARMS TERRACE
NASHVILLE, TN 37013

**ALEXANDER
METALS INC.**
ARCHITECTURAL PRODUCT SPECIALISTS
10705 WOODBURN AVENUE, TENNESSEE 37203
PHONE: (615) 258-9070 FAX: (615) 258-9823
www.AlexanderMetalsInc.com

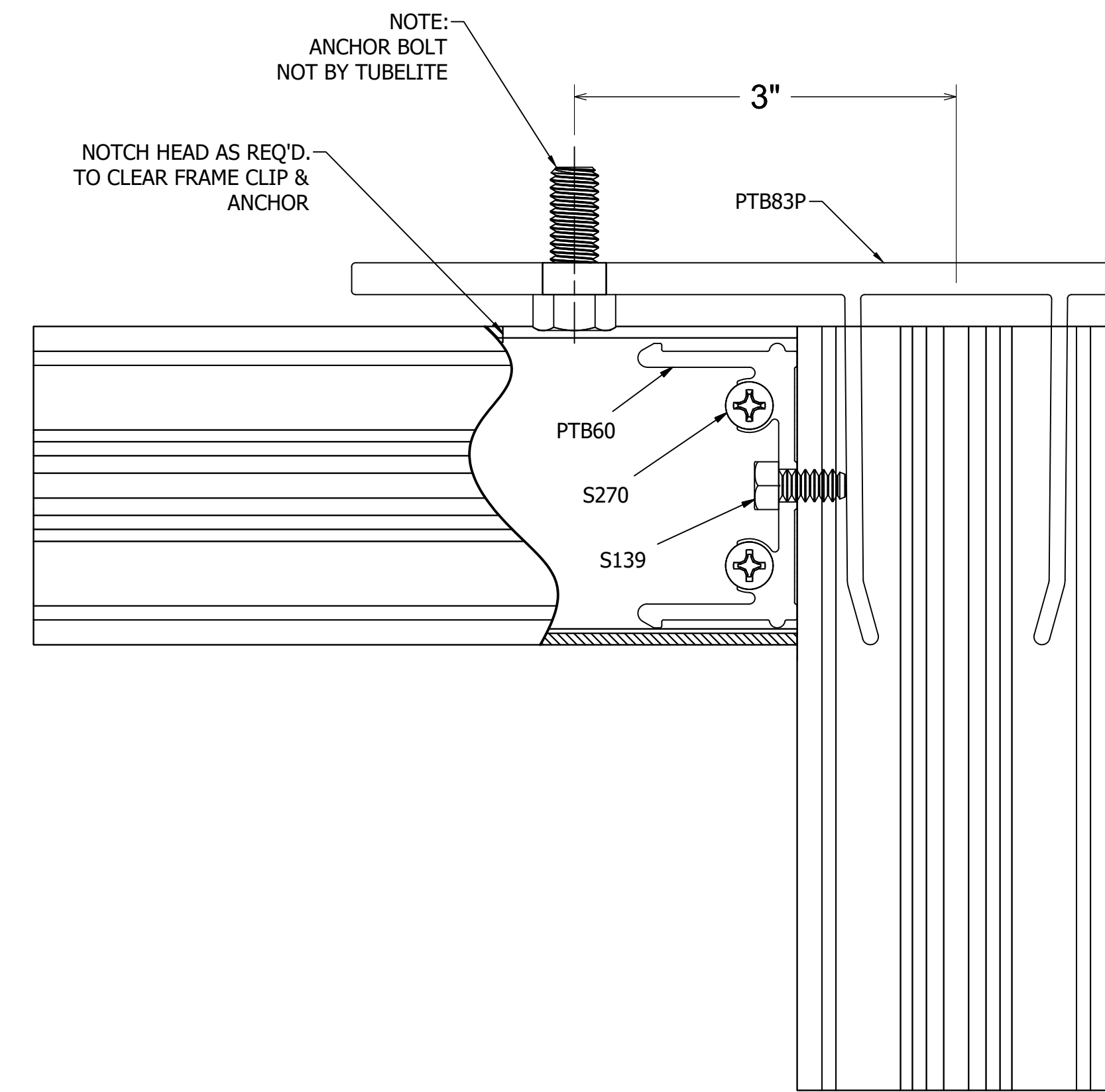
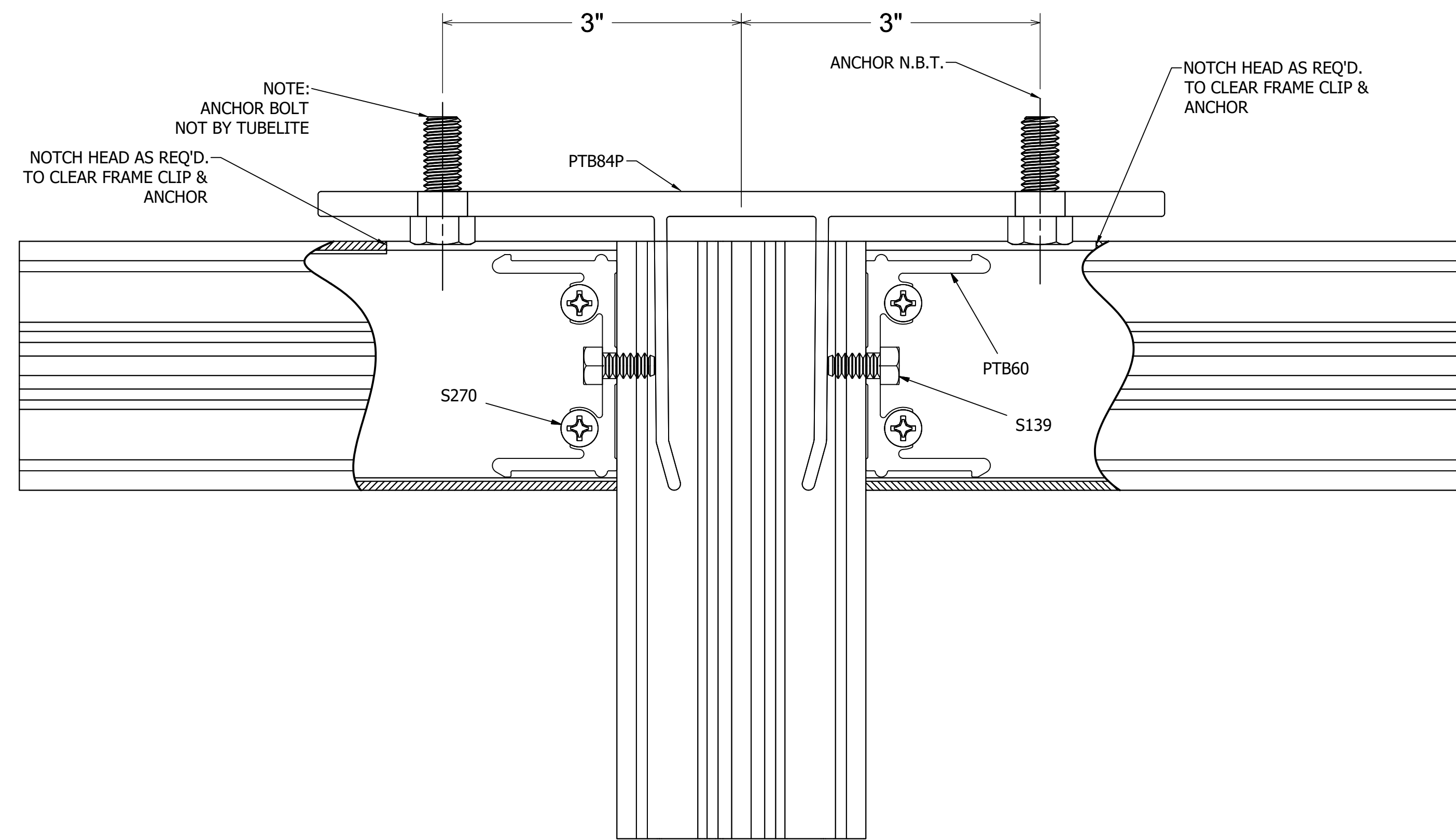


NO.	DATE	SUBMITTAL / REVISION	BY
4.1	03.02.22	THIRD SUBMITTAL (INTERIOR REVISIONS)	CCW
5.1	03.31.22	FOURTH SUBMITTAL (INTERIOR REVISIONS)	CCW
6.1	06.15.22	FIFTH SUBMITTAL (CURTAINWALL FIELD MEASUREMENTS)	CCW
6.2	06.20.22	SIXTH SUBMITTAL (CURTAINWALL FIELD MEASUREMENTS)	CCW
6.3	06.22.22	SEVENTH SUBMITTAL (CURTAINWALL FIELD MEASUREMENTS)	CCW
6.4	08.30.22	EIGHTH SUBMITTAL (INTERIOR STOREFRONT FIELD MEASUREMENTS)	CCW

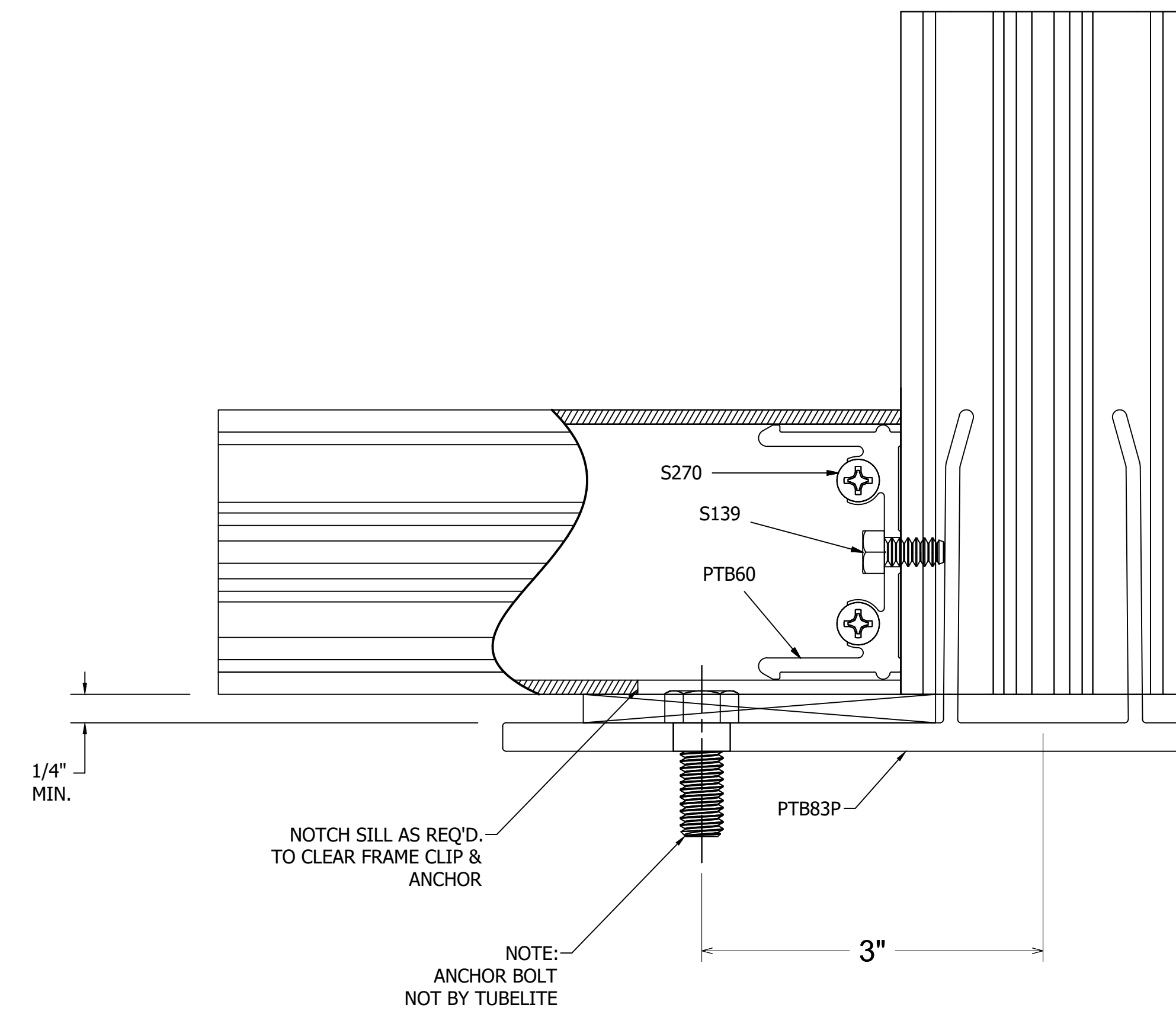
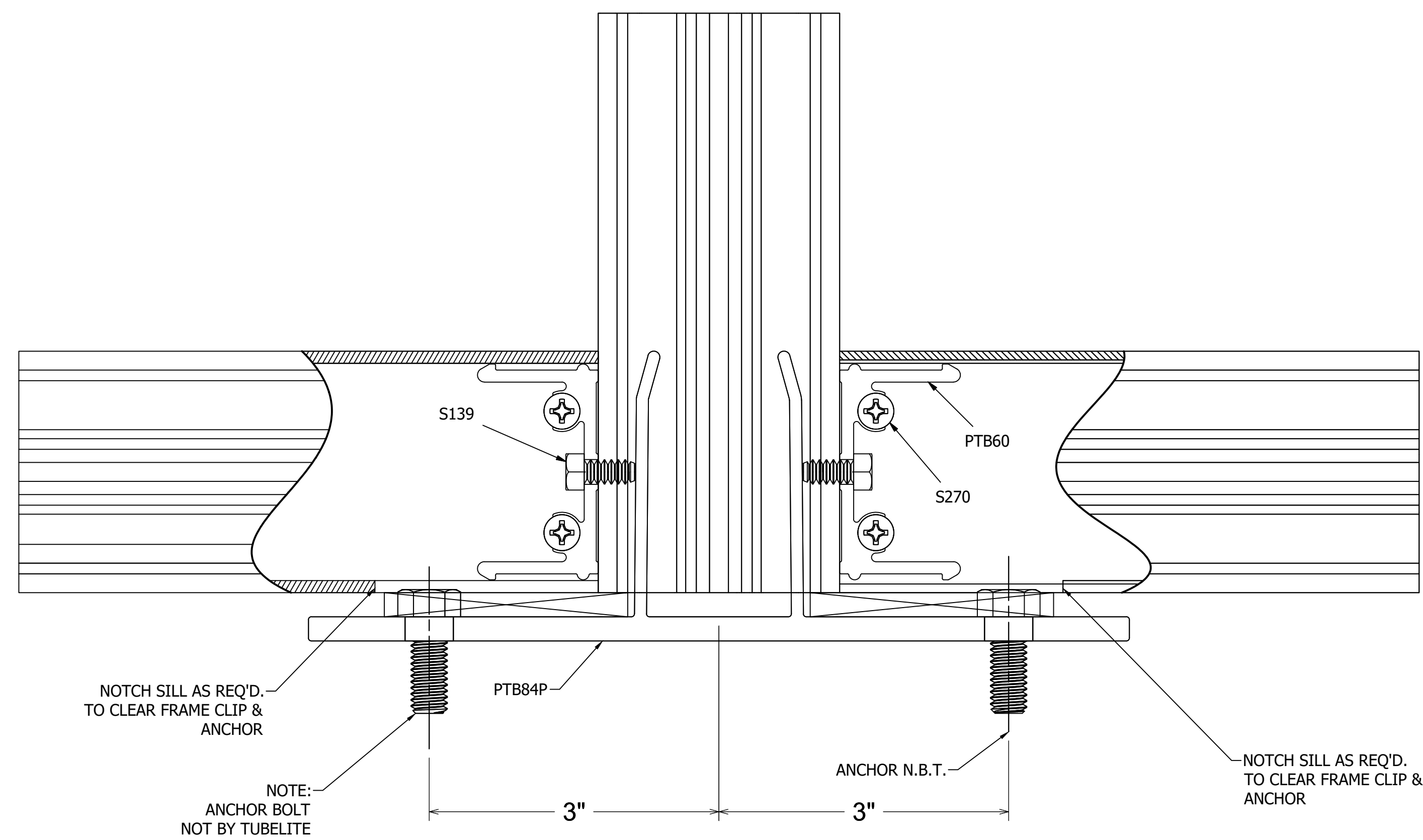
JOB NO. 4047

REV. NO.

SHEET NO.:
1059



156 TYPICAL "T" & "F" ANCHOR
 1060 TUBELITE 400CW CURTAIN WALL
 ARCH. REF.: N/A
 FRAMES: ALL CURTAIN WALL

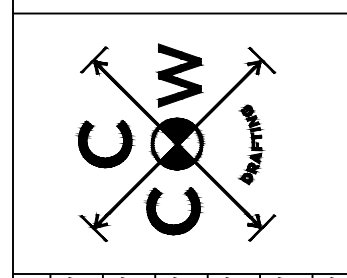


SHEET NO.:
1060
 SCALE:
 N.T.S.

SCOPE:
 ALUMINUM
 CURTAINWALL &
 STOREFRONT

PROJECT:
 NASHVILLE SC TRAINING FACILITY
 4251 CENTURY FARMS TERRACE
 NASHVILLE, TN 37013

ALEXANDER METALS INC.
 ARCHITECTURAL PRODUCT SPECIALISTS
 107 CLAYTON AVENUE, TENNESSEE 37203
 PHONE: (615) 258-9070 FAX: (615) 258-9223
 www.AlexanderMetalsInc.com



NO.	DATE	REVISION
4.1	02.22	THIRD SUBMITTAL (INTERIOR REVISIONS)
5.1	03.12	FOURTH SUBMITTAL (INTERIOR REVISIONS)
6.1	06.15.22	FIFTH SUBMITTAL (CURTAINWALL FIELD MEASUREMENTS)
6.2	06.20.22	SIXTH SUBMITTAL (CURTAINWALL FIELD MEASUREMENTS)
6.3	08.22.22	SEVENTH SUBMITTAL (CURTAINWALL FIELD MEASUREMENTS)
6.4	08.30.22	EIGHTH SUBMITTAL (INTERIOR STOREFRONT FIELD MEASUREMENTS)

BY: CCW

JOB NO. 4047

REV. NO.

SHEET NO.:
1060