



Prices effective April 6, 2026

Published April 2026

# Sayl® Chairs

HermanMiller list prices shown are in USD.

For HermanMiller Canadian prices, multiply the USD list price by a factor of 1.20---effective April 2026.

<b>Introduction</b>	<b>page 2</b>
<b>Sayl® Chairs</b>	<b>3</b>
Work Chairs	5
Work Stools	31
Side Chairs	49
Accessories	55
Gaming Chair	58
<b>Indices</b>	<b>61</b>
By Name	61
By Number	63
<b>Appendices</b>	
20-Day or Less/Assigned Lead-Time Order Information	
Casters and Glides	
<b>For the latest materials information, refer to the Materials pages on HermanMiller.com.</b>	

# Introduction

## A Note on the Organization of This Book

There are a few signals that will help you understand the organization of this book. Once you know them, you should be able to find your way around easily.

### Like a newspaper, this book is formatted with columns of text and illustrations that run vertically.

Information wraps from one column to the next and continues for as many pages as it needs to.

### Black bars are clues.

A black bar at the top of a page signals the start of information about a product.

This information is divided into two sections, each signaled by a black bar. Product Information includes a description, additional notes, and dimensional drawings. Specification Information, which always begins at the top of a column, includes a series of steps. Each step represents a decision you need to make in order to complete your product number. Steps must be followed sequentially. The number of pages needed to complete information on a product varies; some will be complete in one page; others may fill three or four pages. Just continue going through the steps until you run into the next product, signaled by the black bar at the top of the page.

Black tabs running along the outside edge of the page help you locate what section you are in or what section you want to go to. You can thumb forwards or backwards to find a section; tabs and text appear on both sides of the page.

The additional pages in the back of the book include the appendices and indices. They are signaled by a long black bar running along the outside edge of the page.

### The index is presented two ways.

The first index is in alphabetical order by product name. It can be helpful if you are new to the products and numbering scheme or if you are looking for a type of product, such as work chair or round table.

The second index is by product number. It lists, in alphanumeric order, the base product number, typically a five-digit number.

## General Information

This book is effective April 6, 2026, subject to change without notice. Products may be purchased from authorized Herman Miller dealers who will quote prices upon request. For more information about our products and services or to see a list of dealers, visit [www.HermanMiller.com](http://www.HermanMiller.com).


All prices are list prices. Additional services, such as planning services, design, storage, and installation, are not included and must be added to these prices when the additional services are requested.


Illustrations, specifications, and prices are based on the latest information at the time of publication. The right is reserved to make changes at any time without notice in prices, fabrics, finishes, materials, specifications, and models, and also to discontinue models and finishes.

Dimensions shown in the drawings are engineering drawing dimensions rounded up to the nearest  $\frac{1}{8}$ ". Product is shipped set up or knocked down. Products that include "Shipped knocked down" in the description require some assembly. If this statement does not appear in the description, the product is shipped assembled.

Service problems are normally handled by a Herman Miller authorized dealer. Where this cannot be accomplished on a local level, service problems should be referred to the Customer Care Representative for your region, Herman Miller, Inc., Zeeland, Michigan 49464.

### 20-Day or Less/Assigned Lead-Time Shipments

All products and options in this price book not designated by an Assigned Program icon  will ship in **20 business days or less** after being acknowledged by Herman Miller.

Products and options designated by an  are on the assigned lead-time program and may ship in 20 days, less than 20 days, or more than 20 days from order acknowledgement.

**Work Chairs**

**Work Stools**

**Side Chairs**

**Accessories**

**Gaming Chairs**



Work Chair, Suspension Mid-Back,  
Value Package, Assembled

AS1VA



Product Information

Description

This fully-assembled chair has a frameless 3D Intelligent® Suspension back that allows freedom of movement, while providing targeted back support and moving heat away from the body. The suspension is supported by a Y-Tower® and anchored at the bottom by the ArcSpan®. The chair has an upholstered seat with foam padding and passive Posturefit® back support. The synchronous tilt provides continuous balance and lets the body recline naturally, pivoting at the ankles, knees, and hips. The chair has a 5-star base and 3 height-adjustment options.

Tilt options include a tilt limiter and tilt limiter with seat angle. The tilt limiter allows the user to set the tilt range to limit the amount of recline. The tilt limiter with seat angle allows the user to set the tilt range and select a 5° forward seat angle.

Seat options include a fixed 16" seat depth, or an adjustable seat depth that allows the user to adjust the depth from 16" to 18".

Back-support options include a standard option with no additional support, and an adjustable lumbar support option. The standard option has passive Posturefit back support molded directly into the strands of the suspension material, providing targeted support at the base of the back, below the beltline, that helps achieve healthier posture and improved lower back comfort. The adjustable lumbar support option adds a user-adjustable lumbar that adjusts 4" in height.

Arm choices include a no arm option; a fixed, non-adjustable option; a height adjustable option that allows the arms to move 4" vertically; and a fully adjustable option that allows the arms to move 4" vertically, 1 3/8" horizontally, 2" front-to-back, with armpads that pivot 11° inward and 11° outward.

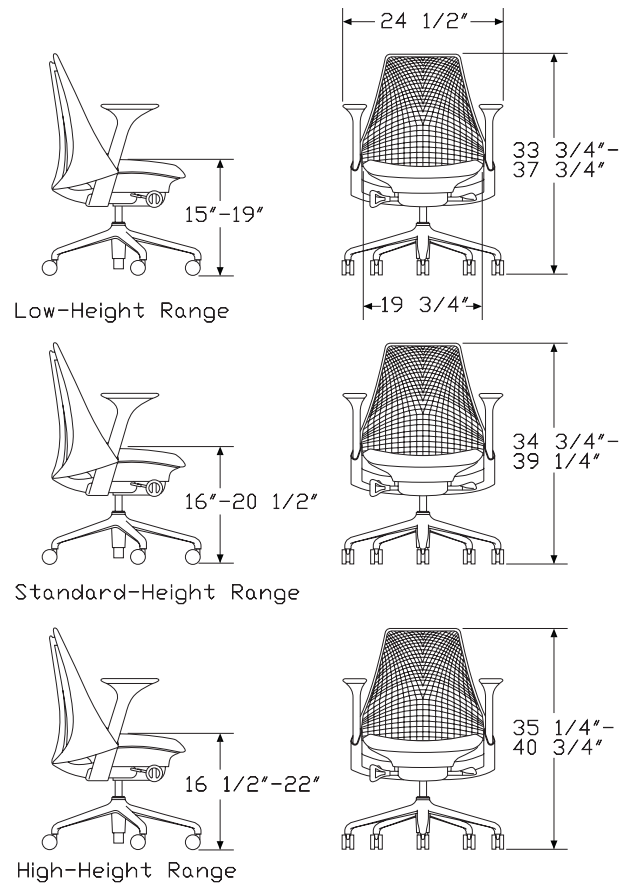
Notes

Value package chair is upholstered with a Crossover textile in a black finish; all chair finishes are black (Y-Tower, armpads, arms, tilt cover and base). To order chair ready-to-assemble, specify AS2VA. Pricing same as fully assembled.

Arms can be removed in the field with no tools required.

For information on casters and glides, see Casters and Glides in Appendices.

Dimensions



Work Chair, Suspension Mid-Back,  
Value Package, Assembled *continued*

Sayl® Work Chairs

**Specification Information**

Step 1.

**AS1VA**

Step 2. Height Adjustment

1	low-height range <input type="checkbox"/> A	+\$986
2	standard-height range	+\$986
3	high-height range	+\$1054

Step 3. Tilt

2	tilt limiter	+\$0
3	tilt limiter and seat angle	+\$59

Step 4. Arms

N	no arms	+\$0
P	fixed arms	+\$116
H	height-adjustable arms	+\$196
A	fully adjustable arms	+\$274

Step 5. Seat-Depth Adjustment

F	fixed seat depth	+\$0
A	adjustable seat depth	+\$102

Step 6. Back Support Option

N2	no additional support	+\$0
AJ	adjustable lumbar support	+\$55

Step 7. Casters

BB	2½" hard caster, black yoke, carpet only	+\$0
GF	2½" glide, hard floors or carpet	+\$25
C7	2½" caster, black yoke, hard floors or carpet	+\$50
C9	2½" braking caster, black yoke, hard floors or carpet	+\$50

Work Chair, Suspension Mid-Back, AS1VB  
Stretch Knit Back Cover, Value  
Package



**Product Information**

**Description**

This fully-assembled chair has a frameless 3D Intelligent® Suspension back and a Stretch knit back cover that allow freedom of movement while providing targeted back support and moving heat away from the body. The suspension is supported by a Y-Tower®. The knit back cover provides a soft layer and has a knit-to-fit construction with elastomeric yarns that allows it to flex as the user moves. The synchronous tilt provides continuous balance and lets the body recline naturally, pivoting at the ankles, knees, and hips.

The chair has a 5-star base and 3 height-adjustment options.

Tilt options include a tilt limiter and tilt limiter with seat angle. The tilt limiter allows the user to set the tilt range to limit the amount of recline. The tilt limiter with seat angle allows the user to set the tilt range and select a 5° forward seat angle.

The chair has an upholstered seat. Seat options include a fixed 16" seat depth, or an adjustable seat depth that allows the user to adjust the depth from 16" to 18".

Back-support options include a standard option with no additional support, and an adjustable lumbar support option. The standard option has passive PostureFit® back support molded directly into the strands of the suspension material, providing targeted support at the base of the back, below the beltline, that helps achieve healthier posture and improved lower back comfort. The adjustable lumbar support option adds a user-adjustable lumbar that adjusts 4" in height.

Arm choices include a no arm option; a fixed, non-adjustable option; a height adjustable option that allows the arms to move 4" vertically; and a fully adjustable option that allows the arms to move 4" vertically, 1 3/8" horizontally, 2" front-to-back, with armpads that pivot 11° inward and 11° outward.

**Notes**

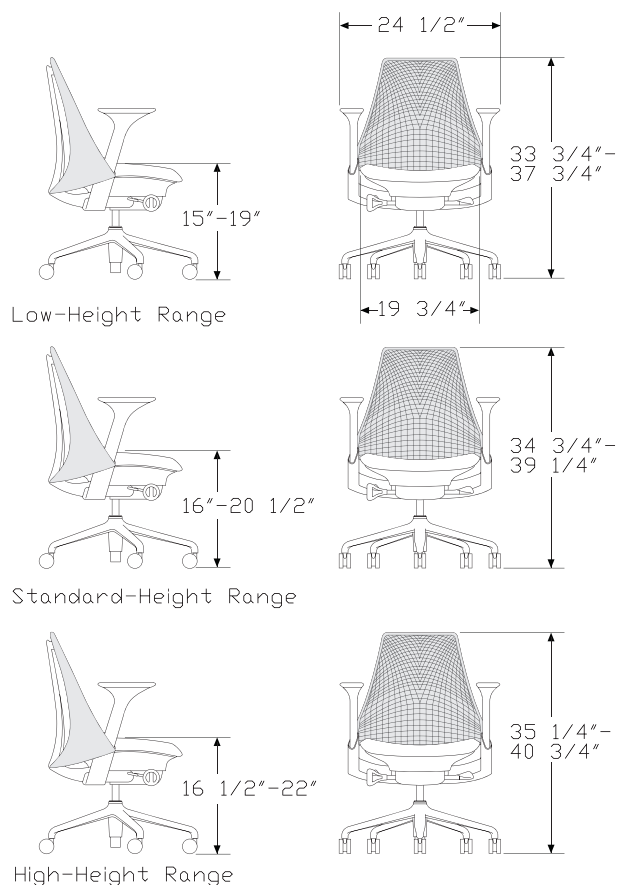
Value package chair is upholstered with a Crossover textile in a black finish; all chair finishes are black (suspension back, stretch knit back cover, Y-Tower, armpads, arms, tilt cover and base).

To order chair ready-to-assemble, specify AS2VB. Pricing same as fully assembled.

Arms and Stretch knit back cover can be removed in the field with no tools required.

For information on casters and glides, see Casters and Glides in Appendices.

**Dimensions**



Work Chair, Suspension Mid-Back,  
Stretch Knit Back Cover, Value  
Package *continued*

**Specification Information**

Step 1.

AS1VB  A

Step 2. Height Adjustment

1	low-height range <input type="checkbox"/> A	+\$1132
2	standard-height range <input type="checkbox"/> A	+\$1132
3	high-height range	+\$1198

Step 3. Tilt

2	tilt limiter <input type="checkbox"/> A	+\$0
3	tilt limiter and seat angle	+\$59

Step 4. Arms

N	no arms	+\$0
P	fixed arms	+\$116
H	height-adjustable arms	+\$196
A	fully adjustable arms <input type="checkbox"/> A	+\$274

Step 5. Seat-Depth Adjustment

F	fixed seat depth	+\$0
A	adjustable seat depth <input type="checkbox"/> A	+\$102

Step 6. Fire Retardancy

*For not fire retardant (\*), skip this step.*

	not fire retardant <input type="checkbox"/> A	+\$0
--	---	------

Step 7. Back Support Option

N2	no additional support <input type="checkbox"/> A	+\$0
AJ	adjustable lumbar support	+\$55

Step 8. Casters

BB	2½" hard caster, black yoke, carpet only <input type="checkbox"/> A	+\$0
GF	2½" glide, hard floors or carpet	+\$25
C7	2½" caster, black yoke, hard floors or carpet <input type="checkbox"/> A	+\$50
C9	2½" braking caster, black yoke, hard floors or carpet	+\$50

# Work Chair, Suspension Mid-Back with Stretch Knit Back Cover, Value Package, RTA

AS2VB



## Product Information

### Description

This ready-to-assemble chair has a frameless 3D Intelligent® Suspension back and a Stretch knit back cover that allow freedom of movement while providing targeted back support and moving heat away from the body. The suspension is supported by a Y-Tower®. The knit back cover provides a soft layer and has a knit-to-fit construction with elastomeric yarns that allows it to flex as the user moves. The synchronous tilt provides continuous balance and lets the body recline naturally, pivoting at the ankles, knees, and hips. The chair has a 5-star base and 3 height-adjustment options. Shipped knocked down and is ready to assemble with no tools required.

Tilt options include a tilt limiter and tilt limiter with seat angle. The tilt limiter allows the user to set the tilt range to limit the amount of recline. The tilt limiter with seat angle allows the user to set the tilt range and select a 5° forward seat angle.

The chair has an upholstered seat. Seat options include a fixed 16" seat depth, or an adjustable seat depth that allows the user to adjust the depth from 16" to 18".

Back-support options include a standard option with no additional support, and an adjustable lumbar support option. The standard option has passive PostureFit® back support molded directly into the strands of the suspension material, providing targeted support at the base of the back, below the beltline, that helps achieve healthier posture and improved lower back comfort. The adjustable lumbar support option adds a user-adjustable lumbar that adjusts 4" in height.

Arm choices include a no arm option; a fixed, non-adjustable option; a height adjustable option that allows the arms to move 4" vertically; and a fully adjustable option that allows the arms to move 4" vertically, 1 3/8" horizontally, 2" front-to-back, with armpads that pivot 11° inward and 11° outward.

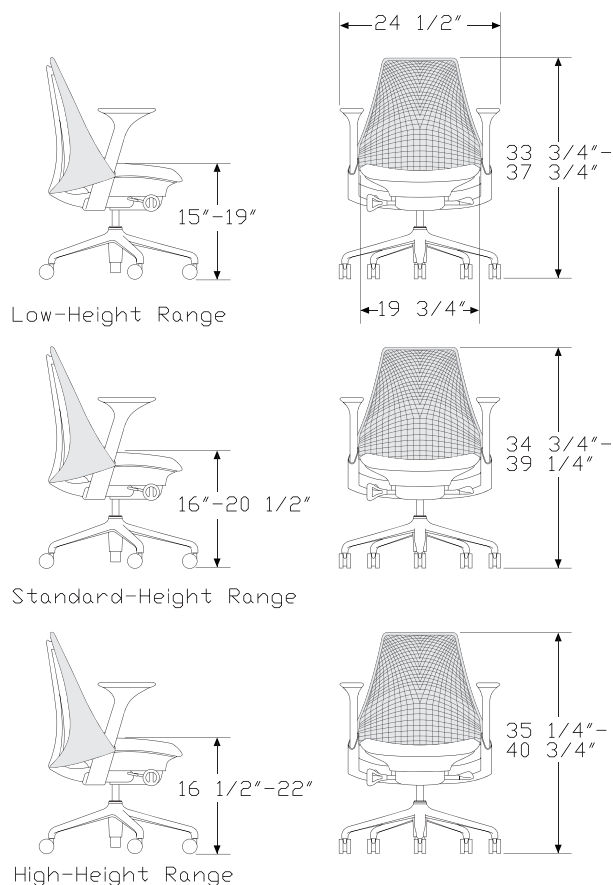
### Notes

Value package chair is upholstered with a Crossover textile in a black finish; all chair finishes are black (suspension back, stretch knit back cover, Y-Tower, armpads, arms, tilt cover and base).

Arms and Stretch knit back cover can be removed in the field with no tools required.

For information on casters and glides, see Casters and Glides in Appendices.

## Dimensions



Work Chair, Suspension Mid-Back  
with Stretch Knit Back Cover, Value  
Package, RTA *continued*

**Specification Information**

Step 1.

**AS2VB**  A

Step 2. Height Adjustment

1	low-height range <input type="checkbox"/> A	+\$1132
2	standard-height range <input type="checkbox"/> A	+\$1132
3	high-height range	+\$1198

Step 3. Tilt

2	tilt limiter <input type="checkbox"/> A	+\$0
3	tilt limiter and seat angle	+\$59

Step 4. Arms

<b>N</b>	no arms	+\$0
<b>P</b>	fixed arms	+\$116
<b>H</b>	height-adjustable arms	+\$196
<b>A</b>	fully adjustable arms <input type="checkbox"/> A	+\$274

Step 5. Seat-Depth Adjustment

<b>F</b>	fixed seat depth	+\$0
<b>A</b>	adjustable seat depth <input type="checkbox"/> A	+\$102

Step 6. Fire Retardancy

*For not fire retardant (\*), skip this step.*

	not fire retardant <input type="checkbox"/> A	+\$0
--	---	------

Step 7. Back Support Option

<b>N2</b>	no additional support <input type="checkbox"/> A	+\$0
<b>AJ</b>	adjustable lumbar support	+\$55

Step 8. Casters

<b>BB</b>	2½" hard caster, black yoke, carpet only <input type="checkbox"/> A	+\$0
<b>GF</b>	2½" glide, hard floors or carpet	+\$25
<b>C7</b>	2½" caster, black yoke, hard floors or carpet <input type="checkbox"/> A	+\$50
<b>C9</b>	2½" braking caster, black yoke, hard floors or carpet	+\$50

Work Chair, Suspension Mid-Back, AS1SA  
Assembled



Product Information

Description

This fully-assembled chair has a frameless 3D Intelligent® Suspension back that allows freedom of movement, while providing targeted back support and moving heat away from the body. The suspension is supported by a Y-Tower® and anchored at the bottom by the ArcSpan®. The chair has an upholstered seat with foam padding and passive Posturefit® back support. The synchronous tilt provides continuous balance and lets the body recline naturally, pivoting at the ankles, knees, and hips. The chair has a 5-star base and 3 height-adjustment options.

Tilt options include a tilt limiter and tilt limiter with seat angle. The tilt limiter allows the user to set the tilt range to limit the amount of recline. The tilt limiter with seat angle allows the user to set the tilt range and select a 5° forward seat angle.

Seat options include a fixed 16" seat depth, or a height-adjustable seat depth that allows the user to adjust the depth from 16" to 18".

Back-support options include a standard option with no additional support, and an adjustable lumbar support option. The standard option has passive Posturefit back support molded directly into the strands of the suspension material, providing targeted support at the base of the back, below the beltline, that helps achieve healthier posture and improved lower back comfort. The adjustable lumbar support option adds a user-adjustable lumbar that adjusts 4" in height.

Arm choices include a no arm option; a fixed, non-adjustable option, a height adjustable option that allows the arms to move 4" vertically; and a fully adjustable option that allows the arms to move 4" vertically, 1 3/8" horizontally, 2" front-to-back, with armpads that pivot 11° inward and 11° outward.

Notes

To order chair ready-to-assemble, specify AS2SA. Pricing same as fully assembled.

Arm and tilt cover finish matches specified Y-Tower finish.

Arms can be removed in the field with no tools required.

For information on casters and glides, see Casters and Glides in Appendices.

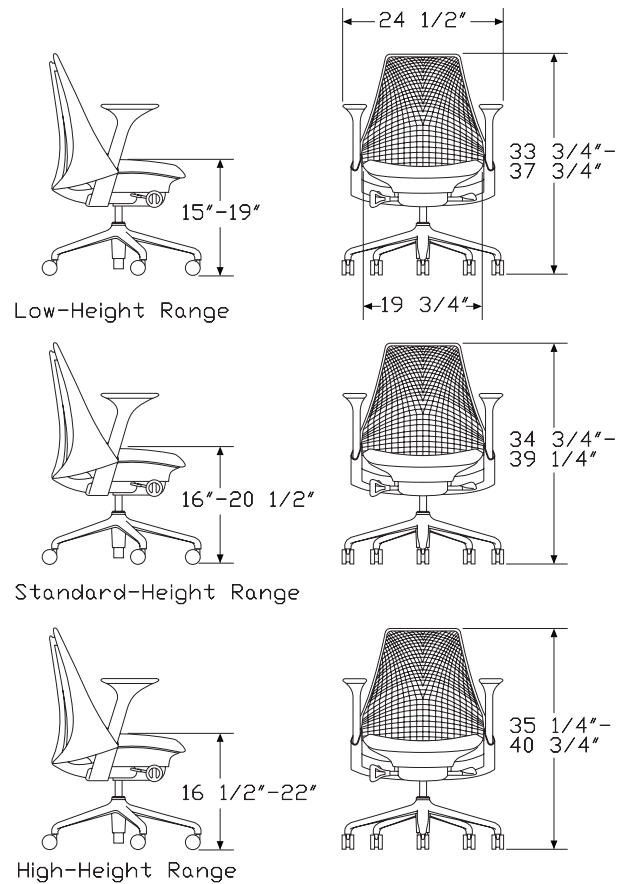
Customer's Own Material (COM) requires 3/4 yard. Customer's Own Leather (COL) requires 8 square feet. See Order information in Appendices.

MicrobeCare™ is an antimicrobial coating that can be applied to a wide variety of Herman Miller Group surfaces to protect products from mold, mildew, algae, and bacteria that cause deterioration, discoloration, odors, and stains.

MicrobeCare™ is a US Environmental Protection Agency (EPA) registered nonpublic health antimicrobial.

MicrobeCare™ is applied to the major touchpoints, including the seat, backrest, arms, armrests, frame and adjustment controls.

Dimensions



Work Chair, Suspension Mid-Back,  
Assembled *continued*

**Specification Information**

Step 1.

**AS1SA**

Step 2. Height Adjustment

1	low-height range <input type="checkbox"/>	+\$1023
2	standard-height range	+\$1023
3	high-height range	+\$1087

Step 3. Tilt

2	tilt limiter	+\$0
3	tilt limiter and seat angle	+\$59

Step 4. Arms

<b>N</b>	no arms	+\$0
<b>P</b>	fixed arms	+\$116
<b>H</b>	height-adjustable arms	+\$196
<b>A</b>	fully adjustable arms	+\$274

Step 5. Seat-Depth Adjustment

<b>F</b>	fixed seat depth	+\$0
<b>A</b>	adjustable seat depth	+\$102

Step 6. Back Support Option

<b>N2</b>	no additional support	+\$0
<b>AJ</b>	adjustable lumbar support	+\$55

Step 7. Base/Y-Tower® Finish

*For no arms (N), fixed arms (P), or height-adjustable arms (H)*

<b>BK</b>	black	+\$0
<b>65</b>	fog with studio white Y-Tower®	+\$45
<b>68</b>	polished aluminum base with black Y-Tower® <input type="checkbox"/>	+\$95
<b>67</b>	polished aluminum base with studio white Y-Tower® <input type="checkbox"/>	+\$145
<b>MBL</b>	black with MicrobeCare™ <input type="checkbox"/>	+\$70
<b>M65</b>	fog with studio white Y-Tower® with MicrobeCare™ <input type="checkbox"/>	+\$115
<b>M68</b>	polished aluminum base with black Y-Tower® with MicrobeCare™ <input type="checkbox"/>	+\$165
<b>M67</b>	polished aluminum base with studio white Y-Tower® with MicrobeCare™ <input type="checkbox"/>	+\$215

*For fully adjustable arms (A)*

<b>BK</b>	black	+\$0
<b>65</b>	fog with studio white Y-Tower®	+\$45
<b>68</b>	polished aluminum base with black Y-Tower® <input type="checkbox"/>	+\$95
<b>67</b>	polished aluminum base with studio white Y-Tower® <input type="checkbox"/>	+\$145
<b>MBL</b>	black with MicrobeCare™ <input type="checkbox"/>	+\$70
<b>M65</b>	fog with studio white Y-Tower® with MicrobeCare™ <input type="checkbox"/>	+\$115
<b>M68</b>	polished aluminum base with black Y-Tower® with MicrobeCare™ <input type="checkbox"/>	+\$165
<b>M67</b>	polished aluminum base with studio white Y-Tower® with MicrobeCare™ <input type="checkbox"/>	+\$215

Step 8. Casters

<b>BB</b>	2½" hard caster, black yoke, carpet only	+\$0
<b>GF</b>	2½" glide, hard floors or carpet	+\$25
<b>C7</b>	2½" caster, black yoke, hard floors or carpet	+\$50
<b>C9</b>	2½" braking caster, black yoke, hard floors or carpet	+\$50

Step 9. Back Suspension Finish

<b>63</b>	fog	+\$15
<b>BK</b>	black	+\$0
<b>SG</b>	slate grey	+\$15
<b>3M</b>	berry blue <input type="checkbox"/>	+\$40
<b>98</b>	studio white (CP)	+\$40
<b>RO</b>	red	+\$40

Step 10. Armpad Finish

*For fixed arms (P), height-adjustable arms (H), or fully adjustable arms (A)*

<b>63</b>	fog	+\$0
<b>BK</b>	black	+\$0
<b>SG</b>	slate grey	+\$0

Work Chair, Suspension Mid-Back,  
Assembled *continued*

---

Step 11. Seat Fabric	
Price Category 11	+\$316
Price Category 1	+\$0
Price Category 2	+\$13
Price Category 3	+\$23
Price Category 4	+\$43
Price Category 5	+\$72
Price Category 7	+\$137
Price Category 8	+\$179
Price Category 9	+\$224
Price Category 10	+\$230
Price Category B	+\$34
Price Category C	+\$46
Price Category D	+\$58
Price Category E	+\$70
Price Category F	+\$90
Price Category G	+\$116
Price Category H	+\$142
Price Category I	+\$166
Price Category J	+\$191
Price Category L	+\$240

Work Chair, Suspension Mid-Back,  
Ready to Assemble

AS2SA



Sayl® Work Chairs

Product Information

Description

This chair has a frameless 3D Intelligent® Suspension back that allows freedom of movement, while providing targeted back support and moving heat away from the body. The suspension is supported by a Y-Tower® and anchored at the bottom by the ArcSpan®. The chair has an upholstered seat with foam padding and passive Posturefit® back support. The synchronous tilt provides continuous balance and lets the body recline naturally, pivoting at the ankles, knees, and hips. The chair has a 5-star base and 3 height-adjustment options. Shipped knocked down and is ready to assemble with no tools required.

Tilt options include a tilt limiter and tilt limiter with seat angle. The tilt limiter allows the user to set the tilt range to limit the amount of recline. The tilt limiter with seat angle allows the user to set the tilt range and select a 5° forward seat angle.

Seat options include a fixed 16" seat depth, or an adjustable seat depth that allows the user to adjust the depth from 16" to 18".

Back-support options include a standard option with no additional support, and an adjustable lumbar support option. The standard option has passive Posturefit back support molded directly into the strands of the suspension material, providing targeted support at the base of the back, below the beltline, that helps achieve healthier posture and improved lower back comfort. The adjustable lumbar support option adds a user-adjustable lumbar that adjusts 4" in height.

Arm choices include a no arm option; a fixed, non-adjustable option; a height adjustable option that allows the arms to move 4" vertically; and a fully adjustable option that allows the arms to move 4" vertically, 1 3/8" horizontally, 2" front-to-back, with armpads that pivot 11° inward and 11° outward.

Notes

Arm and tilt cover finish matches specified Y-Tower finish.

Arms can be removed in the field with no tools required.

For information on casters and glides, see Casters and Glides in Appendices.

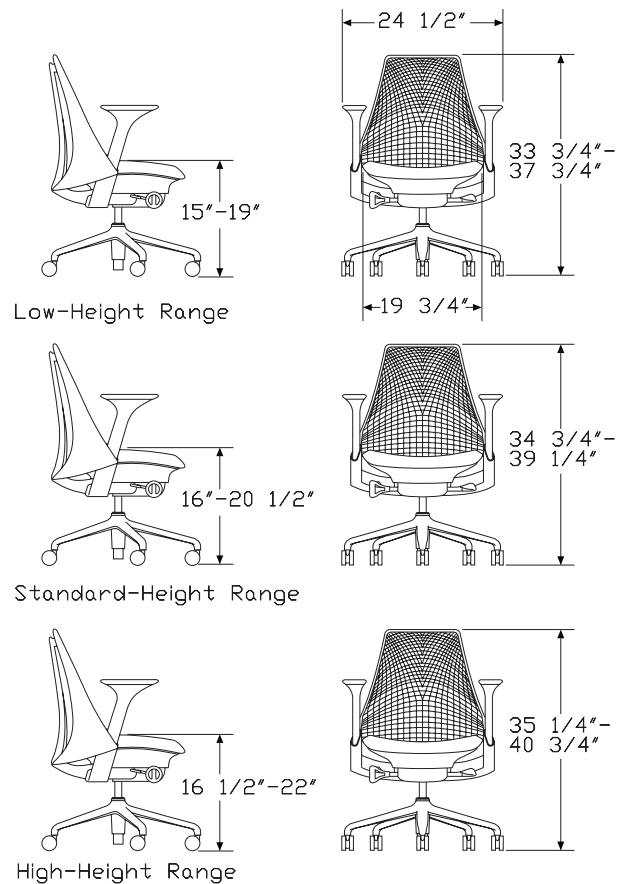
Customer's Own Material (COM) requires 3/4 yard. Customer's Own Leather (COL) requires 8 square feet. See Order information in Appendices.

MicrobeCare™ is an antimicrobial coating that can be applied to a wide variety of Herman Miller Group surfaces to protect products from mold, mildew, algae, and bacteria that cause deterioration, discoloration, odors, and stains.

MicrobeCare™ is a US Environmental Protection Agency (EPA) registered nonpublic health antimicrobial.

MicrobeCare™ is applied to the major touchpoints, including the seat, backrest, arms, armrests, frame and adjustment controls.

Dimensions



Work Chair, Suspension Mid-Back,  
Ready to Assemble *continued*

**Specification Information**

Step 1.

**AS2SA**

Step 2. Height Adjustment

1	low-height range <input type="checkbox"/>	+\$839
2	standard-height range	+\$839
3	high-height range	+\$891

Step 3. Tilt

2	tilt limiter	+\$0
3	tilt limiter and seat angle	+\$59

Step 4. Arms

<b>N</b>	no arms	+\$0
<b>P</b>	fixed arms	+\$96
<b>H</b>	height-adjustable arms	+\$161
<b>A</b>	fully adjustable arms	+\$225

Step 5. Seat-Depth Adjustment

<b>F</b>	fixed seat depth	+\$0
<b>A</b>	adjustable seat depth	+\$83

Step 6. Back Support Option

<b>N2</b>	no additional support	+\$0
<b>AJ</b>	adjustable lumbar support	+\$55

Step 7. Base/Y-Tower® Finish

*For fully adjustable arms (A)*

<b>BK</b>	black	+\$0
<b>65</b>	fog with studio white Y-Tower®	+\$45
<b>68</b>	polished aluminum base with black Y-Tower® <input type="checkbox"/>	+\$95
<b>67</b>	polished aluminum base with studio white Y-Tower® <input type="checkbox"/>	+\$145
<b>MBL</b>	black with MicrobeCare™ <input type="checkbox"/>	+\$70
<b>M65</b>	fog with studio white Y-Tower® with MicrobeCare™ <input type="checkbox"/>	+\$115
<b>M68</b>	polished aluminum base with black Y-Tower® with MicrobeCare™ <input type="checkbox"/>	+\$165
<b>M67</b>	polished aluminum base with studio white Y-Tower® with MicrobeCare™ <input type="checkbox"/>	+\$215

*For no arms (N), fixed arms (P), or height-adjustable arms (H)*

<b>BK</b>	black	+\$0
<b>65</b>	fog with studio white Y-Tower®	+\$45
<b>68</b>	polished aluminum base with black Y-Tower® <input type="checkbox"/>	+\$95
<b>67</b>	polished aluminum base with studio white Y-Tower® <input type="checkbox"/>	+\$145
<b>MBL</b>	black with MicrobeCare™ <input type="checkbox"/>	+\$70
<b>M65</b>	fog with studio white Y-Tower® with MicrobeCare™ <input type="checkbox"/>	+\$115
<b>M68</b>	polished aluminum base with black Y-Tower® with MicrobeCare™ <input type="checkbox"/>	+\$165
<b>M67</b>	polished aluminum base with studio white Y-Tower® with MicrobeCare™ <input type="checkbox"/>	+\$215

Step 8. Casters

<b>BB</b>	2½" hard caster, black yoke, carpet only	+\$0
<b>GF</b>	2½" glide, hard floors or carpet	+\$25
<b>C7</b>	2½" caster, black yoke, hard floors or carpet	+\$50
<b>C9</b>	2½" braking caster, black yoke, hard floors or carpet	+\$50

Step 9. Back Suspension Finish

<b>63</b>	fog	+\$15
<b>BK</b>	black	+\$0
<b>SG</b>	slate grey	+\$15
<b>3M</b>	berry blue <input type="checkbox"/>	+\$40
<b>98</b>	studio white (CP)	+\$40
<b>RO</b>	red	+\$40

Step 10. Armpad Finish

*For fixed arms (P), height-adjustable arms (H), or fully adjustable arms (A)*

<b>63</b>	fog	+\$0
<b>BK</b>	black	+\$0
<b>SG</b>	slate grey	+\$0

Work Chair, Suspension Mid-Back,  
 Ready to Assemble *continued*

Sayl® Work Chairs

Step 11. Seat Fabric  
*See application chart and textiles list for fabric usage and numbers. First 2 digits of number indicate fabric line; remaining digit(s) indicate fabric color.*

Price Category 11	+\$238
Price Category 1	+\$0
Price Category 2	+\$13
Price Category 3	+\$23
Price Category 4	+\$43
Price Category 5	+\$72
Price Category 7	+\$137
Price Category 8	+\$0
Price Category 9	+\$224
Price Category 10	+\$230
Price Category B	+\$34
Price Category C	+\$46
Price Category D	+\$58
Price Category E	+\$70
Price Category F	+\$90
Price Category G	+\$116
Price Category H	+\$142
Price Category I	+\$166
Price Category J	+\$191
Price Category L	+\$240

# Work Chair, Suspension Mid-Back with Stretch Knit Back Cover, Assembled AS1SB



## Product Information

### Description

This fully-assembled chair has a frameless 3D Intelligent® Suspension back and a Stretch knit back cover that allow freedom of movement while providing targeted back support and moving heat away from the body. The suspension is supported by a Y-Tower®. The knit back cover provides a soft layer and has a knit-to-fit construction with elastomeric yarns that allows it to flex as the user moves. The synchronous tilt provides continuous balance and lets the body recline naturally, pivoting at the ankles, knees, and hips.

The chair has a 5-star base and 3 height-adjustment options.

Tilt options include a tilt limiter and tilt limiter with seat angle. The tilt limiter allows the user to set the tilt range to limit the amount of recline. The tilt limiter with seat angle allows the user to set the tilt range and select a 5° forward seat angle.

The chair has an upholstered seat. Seat options include a fixed 16" seat depth, or a height-adjustable seat depth that allows the user to adjust the depth from 16" to 18".

Back-support options include a standard option with no additional support, and an adjustable lumbar support option. The standard option has passive PostureFit® back support molded directly into the strands of the suspension material, providing targeted support at the base of the back, below the beltline, that helps achieve healthier posture and improved lower back comfort. The adjustable lumbar support option adds a user-adjustable lumbar that adjusts 4" in height.

Arm choices include a no arm option; a fixed, non-adjustable option, a height adjustable option that allows the arms to move 4" vertically; and a fully adjustable option that allows the arms to move 4" vertically, 1 3/8" horizontally, 2" front-to-back, with armpads that pivot 11° inward and 11° outward.

### Notes

To order chair ready-to-assemble, specify AS2SB. Pricing same as fully assembled.

Arm and tilt cover finish matches specified Y-Tower finish.

Arms and Stretch knit back cover can be removed in the field with no tools required.

For information on casters and glides, see Casters and Glides in Appendices.

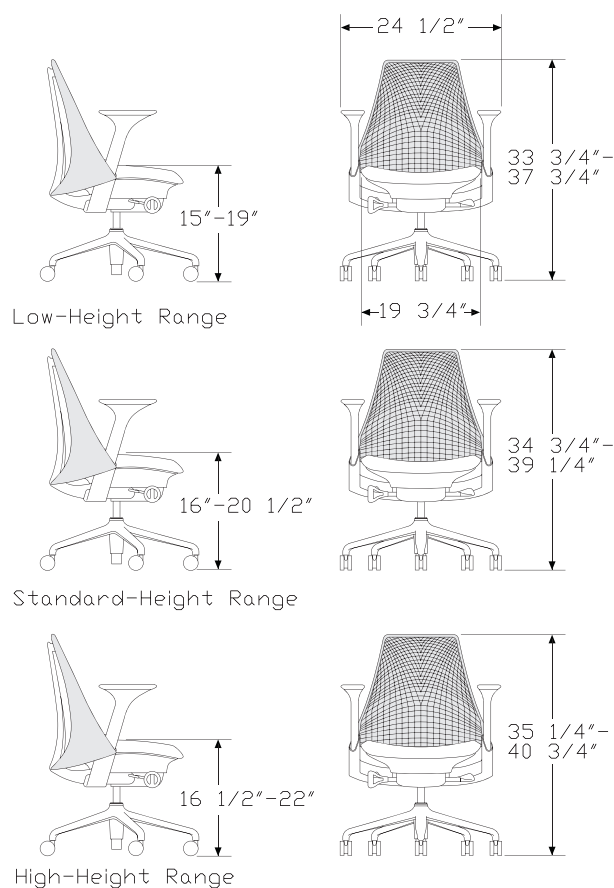
Customer's Own Material (COM) on the seat requires 3/4 yard. Customer's Own Leather (COL) on the seat requires 8 square feet. See Order information in Appendices.

MicrobeCare™ is an antimicrobial coating that can be applied to a wide variety of Herman Miller Group surfaces to protect products from mold, mildew, algae, and bacteria that cause deterioration, discoloration, odors, and stains.

MicrobeCare™ is a US Environmental Protection Agency (EPA) registered nonpublic health antimicrobial.

MicrobeCare™ is applied to the major touchpoints, including the seat, backrest, arms, armrests, frame and adjustment controls.

## Dimensions



Work Chair, Suspension Mid-Back  
with Stretch Knit Back Cover,  
Assembled *continued*

**Specification Information**

Step 1.

**AS1SB** [A]

Step 2. Height Adjustment

1	low-height range [A]	+\$1168
2	standard-height range [A]	+\$1168
3	high-height range	+\$1231

Step 3. Tilt

2	tilt limiter [A]	+\$0
3	tilt limiter and seat angle	+\$59

Step 4. Arms

<b>N</b>	no arms	+\$0
<b>P</b>	fixed arms	+\$116
<b>H</b>	height-adjustable arms	+\$196
<b>A</b>	fully adjustable arms [A]	+\$274

Step 5. Seat-Depth Adjustment

<b>F</b>	fixed seat depth	+\$0
<b>A</b>	adjustable seat depth [A]	+\$102

Step 6. Fire Retardancy

*For not fire retardant (\*), skip this step.*

	not fire retardant [A]	+\$0
--	------------------------	------

Step 7. Back Support Option

<b>N2</b>	no additional support [A]	+\$0
<b>AJ</b>	adjustable lumbar support	+\$55

Step 8. Base/Y-Tower® Finish

*For no arms (N), fixed arms (P), or height-adjustable arms (H)*

<b>BK</b>	black [A]	+\$0
<b>65</b>	fog with studio white Y-Tower®	+\$45
<b>68</b>	polished aluminum base with black Y-Tower® [A]	+\$95
<b>67</b>	polished aluminum base with studio white Y-Tower® [A]	+\$145
<b>MBL</b>	black with MicrobeCare™ [A]	+\$70
<b>M65</b>	fog with studio white Y-Tower® with MicrobeCare™ [A]	+\$115
<b>M68</b>	polished aluminum base with black Y-Tower® with MicrobeCare™ [A]	+\$165
<b>M67</b>	polished aluminum base with studio white Y-Tower® with MicrobeCare™ [A]	+\$215

*For fully adjustable arms (A)*

<b>BK</b>	black [A]	+\$0
<b>65</b>	fog with studio white Y-Tower®	+\$45
<b>68</b>	polished aluminum base with black Y-Tower® [A]	+\$95
<b>67</b>	polished aluminum base with studio white Y-Tower® [A]	+\$145
<b>MBL</b>	black with MicrobeCare™ [A]	+\$70
<b>M65</b>	fog with studio white Y-Tower® with MicrobeCare™ [A]	+\$115
<b>M68</b>	polished aluminum base with black Y-Tower® with MicrobeCare™ [A]	+\$165
<b>M67</b>	polished aluminum base with studio white Y-Tower® with MicrobeCare™ [A]	+\$215

Step 9. Casters

<b>BB</b>	2½" hard caster, black yoke, carpet only [A]	+\$0
<b>GF</b>	2½" glide, hard floors or carpet	+\$25
<b>C7</b>	2½" caster, black yoke, hard floors or carpet [A]	+\$50
<b>C9</b>	2½" braking caster, black yoke, hard floors or carpet	+\$50

Step 10. Back Suspension Finish

<b>63</b>	fog	+\$15
<b>BK</b>	black [A]	+\$0
<b>SG</b>	slate grey	+\$15
<b>3M</b>	berry blue [A]	+\$40
<b>98</b>	studio white (CP)	+\$40
<b>RO</b>	red	+\$40

Step 11. Armpad Finish

*For fixed arms (P), height-adjustable arms (H), or fully adjustable arms (A)*

<b>63</b>	fog	+\$0
<b>BK</b>	black [A]	+\$0
<b>SG</b>	slate grey	+\$0

Work Chair, Suspension Mid-Back  
with Stretch Knit Back Cover,  
Assembled *continued*

---

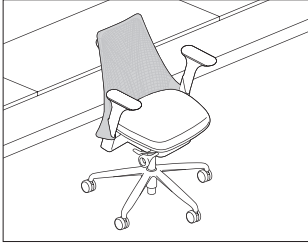
Step 12. Seat Fabric	
Price Category 11	+\$316
Price Category 1	+\$0
Price Category 2	+\$13
Price Category 3	+\$23
Price Category 4	+\$43
Price Category 5	+\$72
Price Category 7	+\$137
Price Category 8	+\$179
Price Category 9	+\$224
Price Category 10	+\$230
Price Category B	+\$34
Price Category C	+\$0
Price Category D	+\$58
Price Category E	+\$70
Price Category F	+\$90
Price Category G	+\$116
Price Category H	+\$142
Price Category I	+\$166
Price Category J	+\$191
Price Category L	+\$240

---

Step 13. Back Cover Material	
Price Category 1	+\$0

Work Chair, Suspension Mid-Back  
with Stretch Knit Back Cover, Ready  
to Assemble

AS2SB



Say® Work Chairs

Product Information

Description

This ready-to-assemble chair has a frameless 3D Intelligent® Suspension back and a Stretch knit back cover that allow freedom of movement while providing targeted back support and moving heat away from the body. The suspension is supported by a Y-Tower®. The knit back cover provides a soft layer and has a knit-to-fit construction with elastomeric yarns that allows it to flex as the user moves. The synchronous tilt provides continuous balance and lets the body recline naturally, pivoting at the ankles, knees, and hips. The chair has a 5-star base and 3 height-adjustment options. Shipped knocked down and is ready to assemble with no tools required.

Tilt options include a tilt limiter and tilt limiter with seat angle. The tilt limiter allows the user to set the tilt range to limit the amount of recline. The tilt limiter with seat angle allows the user to set the tilt range and select a 5° forward seat angle.

The chair has an upholstered seat. Seat options include a fixed 16" seat depth, or an adjustable seat depth that allows the user to adjust the depth from 16" to 18".

Back-support options include a standard option with no additional support, and an adjustable lumbar support option. The standard option has passive PostureFit® back support molded directly into the strands of the suspension material, providing targeted support at the base of the back, below the beltline, that helps achieve healthier posture and improved lower back comfort. The adjustable lumbar support option adds a user-adjustable lumbar that adjusts 4" in height.

Arm choices include a no arm option; a fixed, non-adjustable option; a height adjustable option that allows the arms to move 4" vertically; and a fully adjustable option that allows the arms to move 4" vertically, 1 3/8" horizontally, 2" front-to-back, with armpads that pivot 11° inward and 11° outward.

Notes

Arm and tilt cover finish matches specified Y-Tower finish.

Arms and Stretch knit back cover can be removed in the field with no tools required.

For information on casters and glides, see Casters and Glides in Appendices.

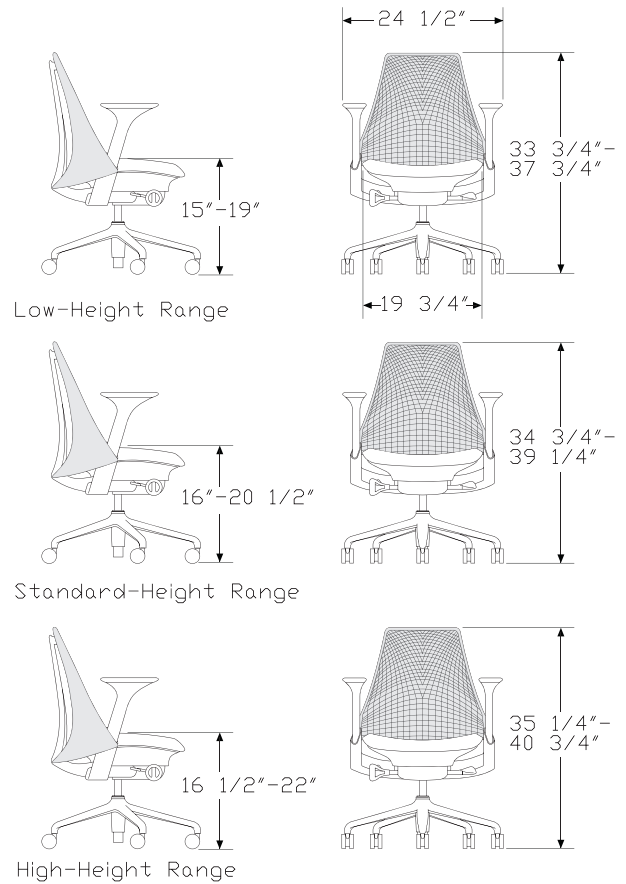
Customer's Own Material (COM) on the seat requires 3/4 yard. Customer's Own Leather (COL) on the seat requires 8 square feet. See Order information in Appendices.

MicrobeCare™ is an antimicrobial coating that can be applied to a wide variety of Herman Miller Group surfaces to protect products from mold, mildew, algae, and bacteria that cause deterioration, discoloration, odors, and stains.

MicrobeCare™ is a US Environmental Protection Agency (EPA) registered nonpublic health antimicrobial.

MicrobeCare™ is applied to the major touchpoints, including the seat, backrest, arms, armrests, frame and adjustment controls.

Dimensions



Work Chair, Suspension Mid-Back  
with Stretch Knit Back Cover, Ready  
to Assemble *continued*

**Specification Information**

Step 1.

**AS2SB**

Step 2. Height Adjustment

1	low-height range <input type="checkbox"/>	+\$958
2	standard-height range <input type="checkbox"/>	+\$958
3	high-height range	+\$1010

Step 3. Tilt

2	tilt limiter <input type="checkbox"/>	+\$0
3	tilt limiter and seat angle	+\$59

Step 4. Arms

<b>N</b>	no arms	+\$0
<b>P</b>	fixed arms	+\$96
<b>H</b>	height-adjustable arms	+\$161
<b>A</b>	fully adjustable arms <input type="checkbox"/>	+\$225

Step 5. Seat-Depth Adjustment

<b>F</b>	fixed seat depth	+\$0
<b>A</b>	adjustable seat depth <input type="checkbox"/>	+\$83

Step 6. Fire Retardancy

*For not fire retardant (\*), skip this step.*

	not fire retardant <input type="checkbox"/>	+\$0
--	---	------

Step 7. Back Support Option

<b>N2</b>	no additional support <input type="checkbox"/>	+\$0
<b>AJ</b>	adjustable lumbar support	+\$55

Step 8. Base/Y-Tower® Finish

*For fully adjustable arms (A)*

<b>BK</b>	black <input type="checkbox"/>	+\$0
<b>65</b>	fog with studio white Y-Tower®	+\$45
<b>68</b>	polished aluminum base with black Y-Tower® <input type="checkbox"/>	+\$95
<b>67</b>	polished aluminum base with studio white Y-Tower® <input type="checkbox"/>	+\$145
<b>MBL</b>	black with MicrobeCare™ <input type="checkbox"/>	+\$70
<b>M65</b>	fog with studio white Y-Tower® with MicrobeCare™ <input type="checkbox"/>	+\$115
<b>M68</b>	polished aluminum base with black Y-Tower® with MicrobeCare™ <input type="checkbox"/>	+\$165
<b>M67</b>	polished aluminum base with studio white Y-Tower® with MicrobeCare™ <input type="checkbox"/>	+\$215

*For no arms (N), fixed arms (P), or height-adjustable arms (H)*

<b>BK</b>	black <input type="checkbox"/>	+\$0
<b>65</b>	fog with studio white Y-Tower®	+\$45
<b>68</b>	polished aluminum base with black Y-Tower® <input type="checkbox"/>	+\$95
<b>67</b>	polished aluminum base with studio white Y-Tower® <input type="checkbox"/>	+\$145
<b>MBL</b>	black with MicrobeCare™ <input type="checkbox"/>	+\$70
<b>M65</b>	fog with studio white Y-Tower® with MicrobeCare™ <input type="checkbox"/>	+\$115
<b>M68</b>	polished aluminum base with black Y-Tower® with MicrobeCare™ <input type="checkbox"/>	+\$165
<b>M67</b>	polished aluminum base with studio white Y-Tower® with MicrobeCare™ <input type="checkbox"/>	+\$215

Step 9. Casters

<b>BB</b>	2½" hard caster, black yoke, carpet only <input type="checkbox"/>	+\$0
<b>GF</b>	2½" glide, hard floors or carpet	+\$25
<b>C7</b>	2½" caster, black yoke, hard floors or carpet <input type="checkbox"/>	+\$50
<b>C9</b>	2½" braking caster, black yoke, hard floors or carpet	+\$50

Step 10. Back Suspension Finish

<b>63</b>	fog	+\$15
<b>BK</b>	black <input type="checkbox"/>	+\$0
<b>SG</b>	slate grey	+\$15
<b>3M</b>	berry blue <input type="checkbox"/>	+\$40
<b>98</b>	studio white (CP)	+\$40
<b>RO</b>	red	+\$40

Step 11. Armpad Finish

*For fixed arms (P), height-adjustable arms (H), or fully adjustable arms (A)*

<b>63</b>	fog	+\$0
<b>BK</b>	black <input type="checkbox"/>	+\$0
<b>SG</b>	slate grey	+\$0

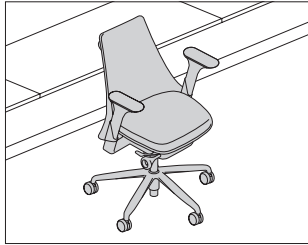
Work Chair, Suspension Mid-Back  
with Stretch Knit Back Cover, Ready  
to Assemble *continued*

Sayl® Work Chairs

Step 12. Seat Fabric	
Price Category 10	+\$232
Price Category 11	+\$316
Price Category 1	+\$0
Price Category 2	+\$13
Price Category 3	+\$23
Price Category 4	+\$43
Price Category 5	+\$72
Price Category 7	+\$137
Price Category 9	+\$224
Price Category B	+\$34
Price Category C	+\$0
Price Category D	+\$58
Price Category E	+\$70
Price Category F	+\$90
Price Category G	+\$116
Price Category H	+\$142
Price Category I	+\$166
Price Category J	+\$191
Price Category L	+\$240
Step 13. Back Cover Material	
Price Category 1	+\$0

Work Chair, Upholstered Mid-Back,  
Value Package, Assembled

AS1VC



Product Information

Description

This fully-assembled chair has a flexible narrow-top back supported by a Y-Tower® that allows freedom of movement, an upholstered seat and back with foam padding, and passive Posturefit® back support. The synchronous tilt provides continuous balance and lets the body recline naturally, pivoting at the ankles, knees, and hips. The chair has a 5-star base and 3 height-adjustment options.

Tilt options include a tilt limiter and tilt limiter with seat angle. The tilt limiter allows the user to set the tilt range to limit the amount of recline. The tilt limiter with seat angle allows the user to set the tilt range and select a 5° forward seat angle.

Seat options include a fixed 16" seat depth, or an adjustable seat depth that allows the user to adjust the depth from 16" to 18".

Back-support options include a standard option with no additional support, and an adjustable lumbar support option. The standard option has passive Posturefit back support, providing targeted support at the base of the back, below the beltline, that helps achieve healthier posture and improved lower back comfort. The adjustable lumbar support option adds a user-adjustable lumbar that adjusts 4" in height.

Arm choices include a no arm option; a fixed, non-adjustable option; a height adjustable option that allows the arms to move 4" vertically; and a fully adjustable option that allows the arms to move 4" vertically, 1 3/8" horizontally, 2" front-to-back, with armpads that pivot 11° inward and 11° outward.

Notes

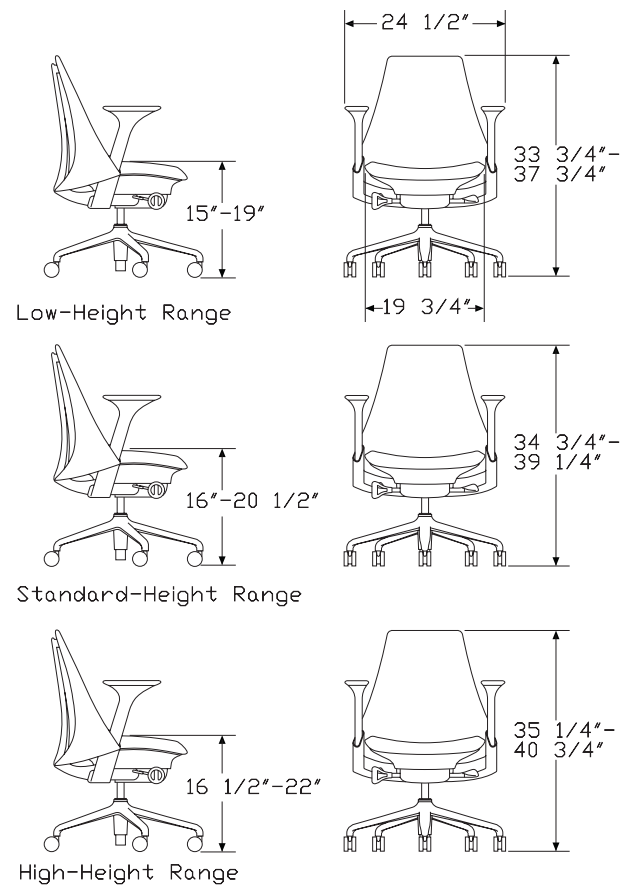
Value package chair is upholstered with a Crossover textile in a black finish; all chair finishes are black (Y-Tower, armpads, arms, tilt cover and base).

To order chair ready-to-assemble, specify AS2VC. Pricing same as fully assembled.

Arms can be removed in the field with no tools required.

For information on casters and glides, see Casters and Glides in Appendices.

Dimensions



Work Chair, Upholstered Mid-Back,  
Value Package, Assembled *continued*

**Specification Information**

Step 1.

**AS1VC**

Step 2. Height Adjustment

1	low-height range <b>A</b>	+\$1095
2	standard-height range	+\$1095
3	high-height range	+\$1161

Step 3. Tilt

2	tilt limiter	+\$0
3	tilt limiter and seat angle	+\$59

Step 4. Arms

<b>N</b>	no arms	+\$0
<b>P</b>	fixed arms	+\$116
<b>H</b>	height-adjustable arms	+\$196
<b>A</b>	fully adjustable arms	+\$274

Step 5. Seat-Depth Adjustment

<b>F</b>	fixed seat depth	+\$0
<b>A</b>	adjustable seat depth	+\$102

Step 6. Back Support Option

<b>N2</b>	no additional support	+\$0
<b>AJ</b>	adjustable lumbar support	+\$55

Step 7. Casters

<b>BB</b>	2½" hard caster, black yoke, carpet only	+\$0
<b>GF</b>	2½" glide, hard floors or carpet	+\$25
<b>C7</b>	2½" caster, black yoke, hard floors or carpet	+\$50
<b>C9</b>	2½" braking caster, black yoke, hard floors or carpet	+\$50

# Work Chair, Upholstered Mid-Back, AS1SC Assembled



## Product Information

### Description

This fully-assembled chair has a flexible narrow-top back supported by a Y-Tower® that allows freedom of movement, an upholstered seat and back with foam padding, and passive Posturefit® back support. The synchronous tilt provides continuous balance and lets the body recline naturally, pivoting at the ankles, knees, and hips. The chair has a 5-star base and 3 height-adjustment options.

Tilt options include a tilt limiter and tilt limiter with seat angle. The tilt limiter allows the user to set the tilt range to limit the amount of recline. The tilt limiter with seat angle allows the user to set the tilt range and select a 5° forward seat angle.

Seat options include a fixed 16" seat depth, or an adjustable seat depth that allows the user to adjust the depth from 16" to 18".

Back-support options include a standard option with no additional support, and an adjustable lumbar support option. The standard option has passive Posturefit back support, providing targeted support at the base of the back, below the beltline, that helps achieve healthier posture and improved lower back comfort. The adjustable lumbar support option adds a user-adjustable lumbar that adjusts 4" in height.

Arm choices include a no arm option; a fixed, non-adjustable option; a height adjustable option that allows the arms to move 4" vertically; and a fully adjustable option that allows the arms to move 4" vertically, 1 3/8" horizontally, 2" front-to-back, with armpads that pivot 11° inward and 11° outward.

### Notes

To order chair ready-to-assemble, specify AS2SC. Pricing same as fully assembled.

Arm and tilt cover finish matches specified Y-Tower finish.

Arms can be removed in the field with no tools required.

For information on casters and glides, see Casters and Glides in

### Appendices.

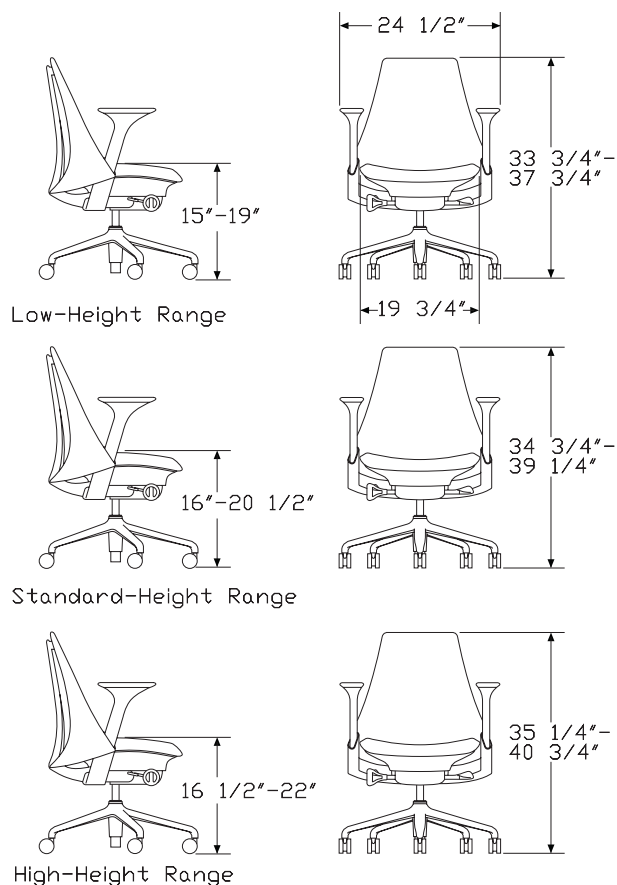
Customer's Own Material (COM) requires 1 3/4 yards. Customer's Own Leather (COL) requires 22 square feet. See Order information in Appendices.

MicrobeCare™ is an antimicrobial coating that can be applied to a wide variety of Herman Miller Group surfaces to protect products from mold, mildew, algae, and bacteria that cause deterioration, discoloration, odors, and stains.

MicrobeCare™ is a US Environmental Protection Agency (EPA) registered nonpublic health antimicrobial.

MicrobeCare™ is applied to the major touchpoints, including the seat, backrest, arms, armrests, frame and adjustment controls.

## Dimensions



Work Chair, Upholstered Mid-Back,  
Assembled *continued*

**Specification Information**

Step 1.

**AS1SC**

Step 2. Height Adjustment

1	low-height range <input type="checkbox"/>	+\$1129
2	standard-height range	+\$1129
3	high-height range	+\$1195

Step 3. Tilt

2	tilt limiter	+\$0
3	tilt limiter and seat angle	+\$59

Step 4. Arms

<b>N</b>	no arms	+\$0
<b>P</b>	fixed arms	+\$116
<b>H</b>	height-adjustable arms	+\$196
<b>A</b>	fully adjustable arms	+\$274

Step 5. Seat-Depth Adjustment

<b>F</b>	fixed seat depth	+\$0
<b>A</b>	adjustable seat depth	+\$102

Step 6. Back Support Option

<b>N2</b>	no additional support	+\$0
<b>AJ</b>	adjustable lumbar support	+\$55

Step 7. Base/Y-Tower® Finish

*For no arms (N), fixed arms (P), or height-adjustable arms (H)*

<b>BK</b>	black	+\$0
<b>65</b>	fog with studio white Y-Tower®	+\$45
<b>68</b>	polished aluminum base with black Y-Tower® <input type="checkbox"/>	+\$95
<b>67</b>	polished aluminum base with studio white Y-Tower® <input type="checkbox"/>	+\$145
<b>MBL</b>	black with MicrobeCare™ <input type="checkbox"/>	+\$70
<b>M65</b>	fog with studio white Y-Tower® with MicrobeCare™ <input type="checkbox"/>	+\$115
<b>M68</b>	polished aluminum base with black Y-Tower® with MicrobeCare™ <input type="checkbox"/>	+\$165
<b>M67</b>	polished aluminum base with studio white Y-Tower® with MicrobeCare™ <input type="checkbox"/>	+\$215

*For fully adjustable arms (A)*

<b>BK</b>	black	+\$0
<b>65</b>	fog with studio white Y-Tower®	+\$45
<b>68</b>	polished aluminum base with black Y-Tower® <input type="checkbox"/>	+\$95
<b>67</b>	polished aluminum base with studio white Y-Tower® <input type="checkbox"/>	+\$145
<b>MBL</b>	black with MicrobeCare™ <input type="checkbox"/>	+\$70
<b>M65</b>	fog with studio white Y-Tower® with MicrobeCare™ <input type="checkbox"/>	+\$115
<b>M68</b>	polished aluminum base with black Y-Tower® with MicrobeCare™ <input type="checkbox"/>	+\$165
<b>M67</b>	polished aluminum base with studio white Y-Tower® with MicrobeCare™ <input type="checkbox"/>	+\$215

Step 8. Casters

<b>BB</b>	2½" hard caster, black yoke, carpet only	+\$0
<b>GF</b>	2½" glide, hard floors or carpet	+\$25
<b>C7</b>	2½" caster, black yoke, hard floors or carpet	+\$50
<b>C9</b>	2½" braking caster, black yoke, hard floors or carpet	+\$50

Step 9. Armpad Finish

*For fixed arms (P), height-adjustable arms (H), or fully adjustable arms (A)*

<b>63</b>	fog	+\$0
<b>BK</b>	black	+\$0
<b>SG</b>	slate grey	+\$0

Step 10. Seat/Back Fabric

*See application chart and textiles list for fabric usage and numbers. First 2 digits of number indicate fabric line; remaining digit(s) indicate fabric color.*

Price Category 1	+\$0
Price Category 2	+\$26
Price Category 3	+\$48
Price Category 4	+\$92
Price Category 5	+\$148
Price Category 9	+\$480
Price Category 10	+\$577
Price Category B	+\$71
Price Category C	+\$97
Price Category D	+\$122
Price Category E	+\$148
Price Category F	+\$191
Price Category G	+\$248
Price Category H	+\$301
Price Category I	+\$354
Price Category J	+\$407
Price Category L	+\$512

Work Chair, Upholstered High-Back,  
Value Package, Assembled AS1VD



**Product Information**

**Description**

This fully-assembled chair has a flexible narrow-top back supported by a Y-Tower® that allows freedom of movement, an upholstered seat and back with foam padding, and passive Posturefit® back support. The synchronous tilt provides continuous balance and lets the body recline naturally, pivoting at the ankles, knees, and hips. The chair has a 5-star base and 3 height-adjustment options.

Tilt options include a tilt limiter and tilt limiter with seat angle. The tilt limiter allows the user to set the tilt range to limit the amount of recline. The tilt limiter with seat angle allows the user to set the tilt range and select a 5° forward seat angle.

Seat options include a fixed 16" seat depth, or an adjustable seat depth that allows the user to adjust the depth from 16" to 18".

Back-support options include a standard option with no additional support, and an adjustable lumbar support option. The standard option has passive Posturefit back support, providing targeted support at the base of the back, below the beltline, that helps achieve healthier posture and improved lower back comfort. The adjustable lumbar support option adds a user-adjustable lumbar that adjusts 4" in height.

Arm choices include a no arm option; a fixed, non-adjustable option; a height adjustable option that allows the arms to move 4" vertically; and a fully adjustable option that allows the arms to move 4" vertically, 1 3/8" horizontally, 2" front-to-back, with armpads that pivot 11° inward and 11° outward.

**Notes**

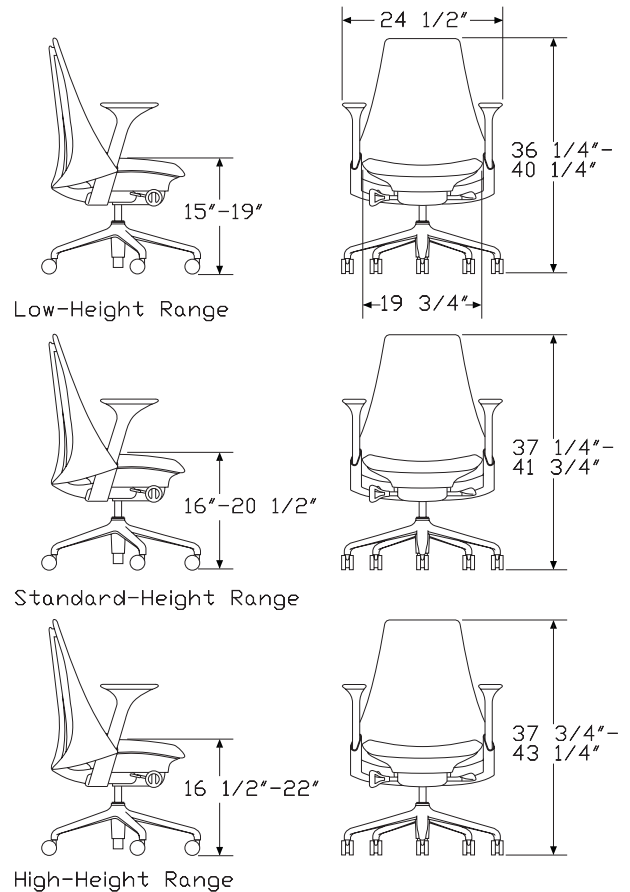
Value package chair is upholstered with a Crossover textile in a black finish; all chair finishes are black (Y-Tower, armpads, arms, tilt cover and base).

To order chair ready-to-assemble, specify AS2VD. Pricing same as fully assembled.

Arms can be removed in the field with no tools required.

For information on casters and glides, see Casters and Glides in Appendices.

**Dimensions**



Work Chair, Upholstered High-Back,  
Value Package, Assembled *continued*

**Specification Information**

Step 1.

**AS1VD**

Step 2. Height Adjustment

1	low-height range <b>A</b>	+\$1169
2	standard-height range	+\$1169
3	high-height range	+\$1232

Step 3. Tilt

2	tilt limiter	+\$0
3	tilt limiter and seat angle	+\$59

Step 4. Arms

<b>N</b>	no arms	+\$0
<b>P</b>	fixed arms	+\$116
<b>H</b>	height-adjustable arms	+\$196
<b>A</b>	fully adjustable arms	+\$274

Step 5. Seat-Depth Adjustment

<b>F</b>	fixed seat depth	+\$0
<b>A</b>	adjustable seat depth	+\$102

Step 6. Back Support Option

<b>N2</b>	no additional support	+\$0
<b>AJ</b>	adjustable lumbar support	+\$55

Step 7. Casters

<b>BB</b>	2½" hard caster, black yoke, carpet only	+\$0
<b>GF</b>	2½" glide, hard floors or carpet	+\$25
<b>C7</b>	2½" caster, black yoke, hard floors or carpet	+\$50
<b>C9</b>	2½" braking caster, black yoke, hard floors or carpet	+\$50

# Work Chair, Upholstered High-Back, AS1SD Assembled



## Product Information

### Description

This fully-assembled chair has a flexible narrow-top back supported by a Y-Tower® that allows freedom of movement, an upholstered seat and back with foam padding, and passive Posturefit® back support. The synchronous tilt provides continuous balance and lets the body recline naturally, pivoting at the ankles, knees, and hips. The chair has a 5-star base and 3 height-adjustment options.

Tilt options include a tilt limiter and tilt limiter with seat angle. The tilt limiter allows the user to set the tilt range to limit the amount of recline. The tilt limiter with seat angle allows the user to set the tilt range and select a 5° forward seat angle.

Seat options include a fixed 16" seat depth, or an adjustable seat depth that allows the user to adjust the depth from 16" to 18".

Back-support options include a standard option with no additional support, and an adjustable lumbar support option. The standard option has passive Posturefit back support, providing targeted support at the base of the back, below the beltline, that helps achieve healthier posture and improved lower back comfort. The adjustable lumbar support option adds a user-adjustable lumbar that adjusts 4" in height.

Arm choices include a no arm option; a fixed, non-adjustable option; a height adjustable option that allows the arms to move 4" vertically; and a fully adjustable option that allows the arms to move 4" vertically, 1 3/8" horizontally, 2" front-to-back, with armpads that pivot 11° inward and 11° outward.

### Notes

To order chair ready-to-assemble, specify AS2SD. Pricing same as fully assembled.

Arm and tilt cover finish matches specified Y-Tower finish.

Arms can be removed in the field with no tools required.

For information on casters and glides, see Casters and Glides in

### Appendices

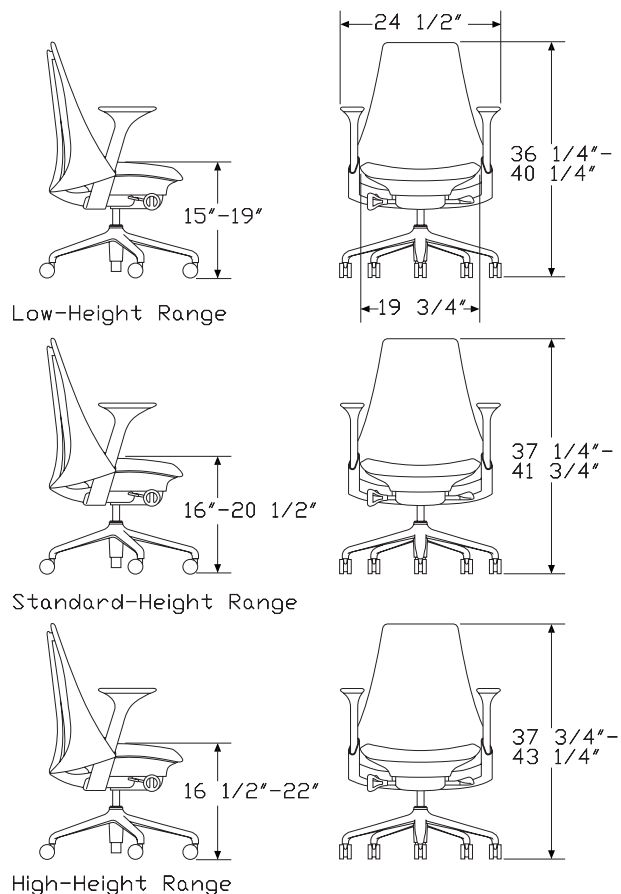
Customer's Own Material (COM) requires 2 yards. Customer's Own Leather (COL) requires 23 3/8 square feet. See Order information in Appendices.

MicrobeCare™ is an antimicrobial coating that can be applied to a wide variety of Herman Miller Group surfaces to protect products from mold, mildew, algae, and bacteria that cause deterioration, discoloration, odors, and stains.

MicrobeCare™ is a US Environmental Protection Agency (EPA) registered nonpublic health antimicrobial.

MicrobeCare™ is applied to the major touchpoints, including the seat, backrest, arms, armrests, frame and adjustment controls.

## Dimensions



Work Chair, Upholstered High-Back,  
Assembled *continued*

**Specification Information**

Step 1.

**AS1SD**

Step 2. Height Adjustment

<b>1</b>	low-height range <input type="checkbox"/>	+\$1204
<b>2</b>	standard-height range	+\$1204
<b>3</b>	high-height range	+\$1269

Step 3. Tilt

<b>2</b>	tilt limiter	+\$0
<b>3</b>	tilt limiter and seat angle	+\$59

Step 4. Arms

<b>N</b>	no arms	+\$0
<b>P</b>	fixed arms	+\$116
<b>H</b>	height-adjustable arms	+\$196
<b>A</b>	fully adjustable arms	+\$274

Step 5. Seat-Depth Adjustment

<b>F</b>	fixed seat depth	+\$0
<b>A</b>	adjustable seat depth	+\$102

Step 6. Back Support Option

<b>N2</b>	no additional support	+\$0
<b>AJ</b>	adjustable lumbar support	+\$55

Step 7. Base/Y-Tower® Finish

*For no arms (N), fixed arms (P), or height-adjustable arms (H)*

<b>BK</b>	black	+\$0
<b>65</b>	fog with studio white Y-Tower®	+\$45
<b>68</b>	polished aluminum base with black Y-Tower® <input type="checkbox"/>	+\$95
<b>67</b>	polished aluminum base with studio white Y-Tower® <input type="checkbox"/>	+\$145
<b>MBL</b>	black with MicrobeCare™ <input type="checkbox"/>	+\$70
<b>M65</b>	fog with studio white Y-Tower® with MicrobeCare™ <input type="checkbox"/>	+\$115
<b>M68</b>	polished aluminum base with black Y-Tower® with MicrobeCare™ <input type="checkbox"/>	+\$165
<b>M67</b>	polished aluminum base with studio white Y-Tower® with MicrobeCare™ <input type="checkbox"/>	+\$215

*For fully adjustable arms (A)*

<b>BK</b>	black	+\$0
<b>65</b>	fog with studio white Y-Tower®	+\$45
<b>68</b>	polished aluminum base with black Y-Tower® <input type="checkbox"/>	+\$95
<b>67</b>	polished aluminum base with studio white Y-Tower® <input type="checkbox"/>	+\$145
<b>MBL</b>	black with MicrobeCare™ <input type="checkbox"/>	+\$70
<b>M65</b>	fog with studio white Y-Tower® with MicrobeCare™ <input type="checkbox"/>	+\$115
<b>M68</b>	polished aluminum base with black Y-Tower® with MicrobeCare™ <input type="checkbox"/>	+\$165
<b>M67</b>	polished aluminum base with studio white Y-Tower® with MicrobeCare™ <input type="checkbox"/>	+\$215

Step 8. Casters

<b>BB</b>	2½" hard caster, black yoke, carpet only	+\$0
<b>GF</b>	2½" glide, hard floors or carpet	+\$25
<b>C7</b>	2½" caster, black yoke, hard floors or carpet	+\$50
<b>C9</b>	2½" braking caster, black yoke, hard floors or carpet	+\$50

Step 9. Armpad Finish

*For fixed arms (P), height-adjustable arms (H), or fully adjustable arms (A)*

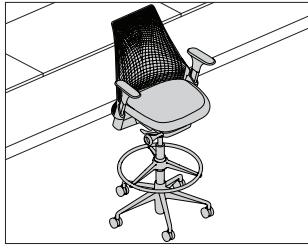
<b>63</b>	fog	+\$0
<b>BK</b>	black	+\$0
<b>SG</b>	slate grey	+\$0

Step 10. Seat/Back Fabric

*See application chart and textiles list for fabric usage and numbers. First 2 digits of number indicate fabric line; remaining digit(s) indicate fabric color.*

Price Category 1	+\$0
Price Category 2	+\$29
Price Category 3	+\$60
Price Category 4	+\$109
Price Category 5	+\$184
Price Category 9	+\$562
Price Category 10	+\$685
Price Category B	+\$84
Price Category C	+\$115
Price Category F	+\$227
Price Category G	+\$296
Price Category H	+\$360
Price Category I	+\$424
Price Category J	+\$486
Price Category L	+\$612

# Work Stool, Suspension Mid-Back, AS7VA Value Package, Assembled



## Product Information

### Description

This fully-assembled stool has a frameless 3D Intelligent® Suspension back that allows freedom of movement, while providing targeted back support and moving heat away from the body. The suspension is supported by a Y-Tower®. The chair has an upholstered seat with foam padding and passive Posturefit® back support. The synchronous tilt provides continuous balance and lets the body recline naturally, pivoting at the ankles, knees, and hips.

The stool has a 5-star base.

Tilt options include a tilt limiter and tilt limiter with seat angle. The tilt limiter allows the user to limit the amount of recline and set the back into an upright position. The tilt limiter with seat angle allows the user to set the tilt range and select a 5° forward seat angle.

Seat options include a fixed 16" seat depth, or an adjustable seat depth that allows the user to adjust the depth from 16" to 18".

Back-support options include a standard option with no additional support, and an adjustable lumbar support option. The standard option has passive Posturefit back support molded directly into the strands of the suspension material, providing targeted support at the base of the back, below the beltline, that helps achieve healthier posture and improved lower back comfort. The adjustable lumbar support option adds a user-adjustable lumbar that adjusts 4" in height.

Arm choices include a no arm option; a fixed, non-adjustable option; a height adjustable option that allows the arms to move 4" vertically; and a fully adjustable option that allows the arms to move 4" vertically, 1 3/8" horizontally, 2" front-to-back, with armpads that pivot 11° inward and 11° outward.

### Notes

Value package stool is upholstered with a Crossover textile in a black finish; all stool finishes are black (Y-Tower, armpads, arms, tilt cover and base).

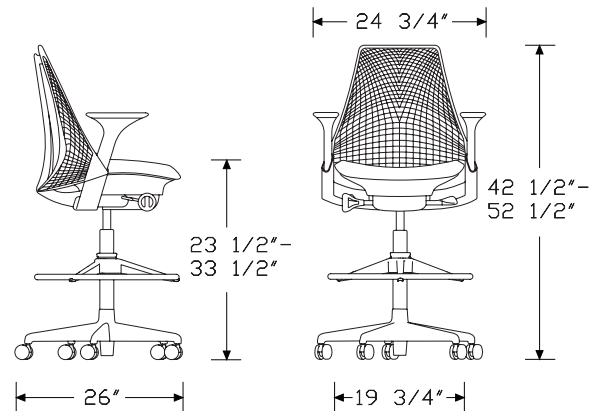
Footrest available in trivalent chrome; column and ring support are black.

Footrest diameter is 20".

Arms can be removed in the field with no tools required.

For information on casters and glides, see Casters and Glides in Appendices.

## Dimensions



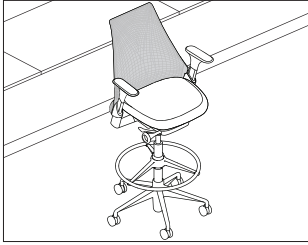
Sayl® Work Stools

Work Stool, Suspension Mid-Back,  
Value Package, Assembled *continued*

Sayl® Work Stools

Specification Information		
Step 1.		
<b>AS7VA</b>		
Step 2. Height Adjustment		
5	stool extended height range	+\$1379
Step 3. Tilt		
2	tilt limiter	+\$0
3	tilt limiter and seat angle	+\$59
Step 4. Arms		
N	no arms	+\$0
P	fixed arms	+\$116
H	height-adjustable arms	+\$196
A	fully adjustable arms	+\$274
Step 5. Seat-Depth Adjustment		
F	fixed seat depth	+\$0
A	adjustable seat depth	+\$102
Step 6. Back Support Option		
N2	no additional support	+\$0
AJ	adjustable lumbar support	+\$55
Step 7. Casters		
BB	2½" hard caster, black yoke, carpet only	+\$0
GF	2½" glide, hard floors or carpet	+\$25
C7	2½" caster, black yoke, hard floors or carpet	+\$50
C9	2½" braking caster, black yoke, hard floors or carpet	+\$50

Work Stool, Suspension Mid-Back,  
Stretch Knit Back Cover, Value  
Package AS7VB



**Product Information**

**Description**

This fully-assembled stool has a frameless 3D Intelligent® Suspension back and a Stretch knit back cover that allow freedom of movement while providing targeted back support and moving heat away from the body. The suspension is supported by a Y-Tower®. The knit back cover provides a soft layer and has a knit-to-fit construction with elastomeric yarns that allows it to flex as the user moves. The synchronous tilt provides continuous balance and lets the body recline naturally, pivoting at the ankles, knees, and hips.

The stool has a 5-star base.

Tilt options include a tilt limiter and tilt limiter with seat angle. The tilt limiter allows the user to limit the amount of recline and set the back into an upright position. The tilt limiter with seat angle allows the user to set the tilt range and select a 5° forward seat angle.

The stool has an upholstered seat. Seat options include a fixed 16" seat depth, or an adjustable seat depth that allows the user to adjust the depth from 16" to 18".

Back-support options include a standard option with no additional support, and an adjustable lumbar support option. The standard option has passive PostureFit® back support molded directly into the strands of the suspension material, providing targeted support at the base of the back, below the beltline, that helps achieve healthier posture and improved lower back comfort. The adjustable lumbar support option adds a user-adjustable lumbar that adjusts 4" in height.

Arm choices include a no arm option; a fixed, non-adjustable option; a height adjustable option that allows the arms to move 4" vertically; and a fully adjustable option that allows the arms to move 4" vertically, 1 3/8" horizontally, 2" front-to-back, with armpads that pivot 11° inward and 11° outward.

**Notes**

Value package stool is upholstered with a Crossover textile in a black finish; all stool finishes are black (suspension back, stretch knit back cover, Y-Tower, armpads, arms, tilt cover and base).

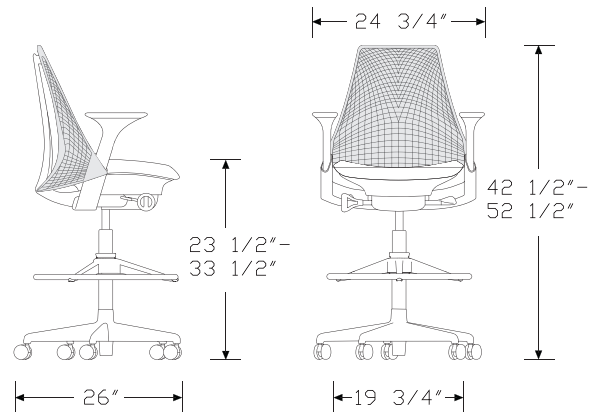
Footrest available in trivalent chrome; column and ring support are black.

Footrest diameter is 20".

Arms and Stretch knit back cover can be removed in the field with no tools required.

For information on casters and glides, see Casters and Glides in Appendices.

**Dimensions**



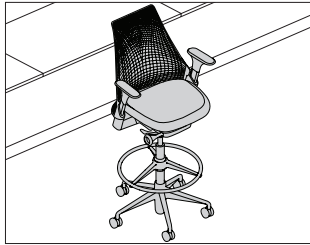
Sayl® Work Stools

Work Stool, Suspension Mid-Back,  
Stretch Knit Back Cover, Value  
Package *continued*

Sayl® Work Stools

Specification Information		
Step 1.		
<b>AS7VB</b>	<input type="checkbox"/> A	
Step 2. Height Adjustment		
<b>5</b>	stool extended height range <input type="checkbox"/> A	+\$1525
Step 3. Tilt		
<b>2</b>	tilt limiter <input type="checkbox"/> A	+\$0
<b>3</b>	tilt limiter and seat angle <input type="checkbox"/> A	+\$59
Step 4. Arms		
<b>N</b>	no arms <input type="checkbox"/> A	+\$0
<b>P</b>	fixed arms <input type="checkbox"/> A	+\$116
<b>H</b>	height-adjustable arms <input type="checkbox"/> A	+\$196
<b>A</b>	fully adjustable arms <input type="checkbox"/> A	+\$274
Step 5. Seat-Depth Adjustment		
<b>F</b>	fixed seat depth <input type="checkbox"/> A	+\$0
<b>A</b>	adjustable seat depth <input type="checkbox"/> A	+\$102
Step 6. Fire Retardancy		
<i>For not fire retardant (*), skip this step.</i>		
	not fire retardant <input type="checkbox"/> A	+\$0
Step 7. Back Support Option		
<b>N2</b>	no additional support <input type="checkbox"/> A	+\$0
<b>AJ</b>	adjustable lumbar support <input type="checkbox"/> A	+\$55
Step 8. Casters		
<b>BB</b>	2½" hard caster, black yoke, carpet only <input type="checkbox"/> A	+\$0
<b>GF</b>	2½" glide, hard floors or carpet <input type="checkbox"/> A	+\$25
<b>C7</b>	2½" caster, black yoke, hard floors or carpet <input type="checkbox"/> A	+\$50
<b>C9</b>	2½" braking caster, black yoke, hard floors or carpet <input type="checkbox"/> A	+\$50

# Work Stool, Suspension Mid-Back, AS7SA Assembled



## Product Information

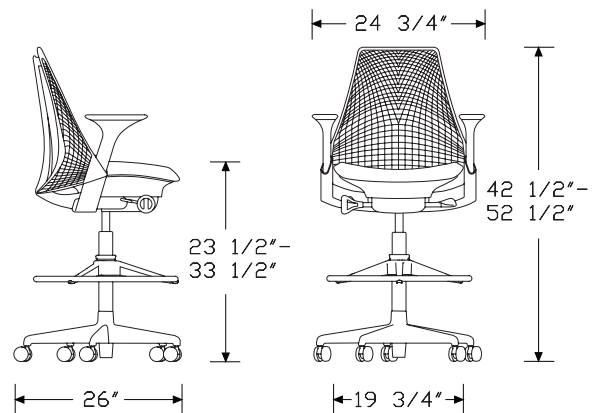
### Description

This fully-assembled work stool has a frameless 3D Intelligent® Suspension back that allows freedom of movement, while providing targeted back support and moving heat away from the body. The suspension is supported by a Y-Tower®. The chair has an upholstered seat with foam padding and passive Posturefit® back support. The synchronous tilt provides continuous balance and lets the body recline naturally, pivoting at the ankles, knees, and hips. The chair has a 5-star base and 3 height-adjustment options. Tilt options include a tilt limiter and tilt limiter with seat angle. The tilt limiter allows the user to limit the amount of recline and set the back into an upright position. The tilt limiter with seat angle allows the user to set the tilt range and select a 5° forward seat angle. Seat options include a fixed 16" seat depth, or a height-adjustable seat depth that allows the user to adjust the depth from 16" to 18". Back-support options include a standard option with no additional support, and an adjustable lumbar support option. The standard option has passive Posturefit back support molded directly into the strands of the suspension material, providing targeted support at the base of the back, below the beltline, that helps achieve healthier posture and improved lower back comfort. The adjustable lumbar support option adds a user-adjustable lumbar that adjusts 4" in height. Arm choices include a no arm option; a fixed, non-adjustable option, a height adjustable option that allows the arms to move 4" vertically; and a fully adjustable option that allows the arms to move 4" vertically, 1 3/8" horizontally, 2" front-to-back, with armpads that pivot 11° inward and 11° outward.

### Notes

Footrest available in trivalent chrome; column and ring support are black. Footrest diameter is 20". Arm and tilt cover finish matches specified Y-Tower finish. Arms can be removed in the field with no tools required. For information on casters and glides, see Casters and Glides in Appendices. Customer's Own Material (COM) requires 3/4 yard. Customer's Own Leather (COL) requires 8 square feet. See Order information in Appendices. MicrobeCare™ is an antimicrobial coating that can be applied to a wide variety of Herman Miller Group surfaces to protect products from mold, mildew, algae, and bacteria that cause deterioration, discoloration, odors, and stains. MicrobeCare™ is a US Environmental Protection Agency (EPA) registered nonpublic health antimicrobial. MicrobeCare™ is applied to the major touchpoints, including the seat, backrest, arms, armrests, frame and adjustment controls.

## Dimensions



Sayl® Work Stools

Work Stool, Suspension Mid-Back,  
Assembled *continued*

Sayl® Work Stools

Specification Information		
Step 1.		
<b>AS7SA</b>		
Step 2. Height Adjustment		
<b>5</b>	stool extended height range	+\$1411
Step 3. Tilt		
<b>2</b>	tilt limiter	+\$0
<b>3</b>	tilt limiter and seat angle	+\$59
Step 4. Arms		
<b>N</b>	no arms	+\$0
<b>P</b>	fixed arms	+\$116
<b>H</b>	height-adjustable arms	+\$196
<b>A</b>	fully adjustable arms	+\$274
Step 5. Seat-Depth Adjustment		
<b>F</b>	fixed seat depth	+\$0
<b>A</b>	adjustable seat depth	+\$102
Step 6. Back Support Option		
<b>N2</b>	no additional support	+\$0
<b>AJ</b>	adjustable lumbar support	+\$55
Step 7. Base/Y-Tower® Finish		
<i>For no arms (N), fixed arms (P), or height-adjustable arms (H)</i>		
<b>BK</b>	black	+\$0
<b>65</b>	fog with studio white Y-Tower®	+\$45
<b>68</b>	polished aluminum base with black Y-Tower® <input type="checkbox"/> <b>A</b>	+\$95
<b>67</b>	polished aluminum base with studio white Y-Tower® <input type="checkbox"/> <b>A</b>	+\$145
<b>MBL</b>	black with MicrobeCare™ <input type="checkbox"/> <b>A</b>	+\$70
<b>M65</b>	fog with studio white Y-Tower® with MicrobeCare™ <input type="checkbox"/> <b>A</b>	+\$115
<b>M68</b>	polished aluminum base with black Y-Tower® with MicrobeCare™ <input type="checkbox"/> <b>A</b>	+\$165
<b>M67</b>	polished aluminum base with studio white Y-Tower® with MicrobeCare™ <input type="checkbox"/> <b>A</b>	+\$215

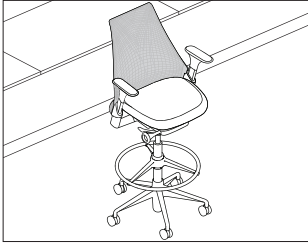
<i>For fully adjustable arms (A)</i>		
<b>BK</b>	black	+\$0
<b>65</b>	fog with studio white Y-Tower®	+\$45
<b>68</b>	polished aluminum base with black Y-Tower® <input type="checkbox"/> <b>A</b>	+\$95
<b>67</b>	polished aluminum base with studio white Y-Tower® <input type="checkbox"/> <b>A</b>	+\$145
<b>MBL</b>	black with MicrobeCare™ <input type="checkbox"/> <b>A</b>	+\$70
<b>M65</b>	fog with studio white Y-Tower® with MicrobeCare™ <input type="checkbox"/> <b>A</b>	+\$115
<b>M68</b>	polished aluminum base with black Y-Tower® with MicrobeCare™ <input type="checkbox"/> <b>A</b>	+\$165
<b>M67</b>	polished aluminum base with studio white Y-Tower® with MicrobeCare™ <input type="checkbox"/> <b>A</b>	+\$215
Step 8. Casters		
<b>BB</b>	2½" hard caster, black yoke, carpet only	+\$0
<b>GF</b>	2½" glide, hard floors or carpet	+\$25
<b>C7</b>	2½" caster, black yoke, hard floors or carpet	+\$50
<b>C9</b>	2½" braking caster, black yoke, hard floors or carpet	+\$50
Step 9. Back Suspension Finish		
<b>63</b>	fog	+\$15
<b>BK</b>	black	+\$0
<b>SG</b>	slate grey	+\$15
<b>3M</b>	berry blue <input type="checkbox"/> <b>A</b>	+\$40
<b>98</b>	studio white (CP)	+\$40
<b>RO</b>	red	+\$40
Step 10. Armpad Finish		
<i>For fixed arms (P), height-adjustable arms (H), or fully adjustable arms (A)</i>		
<b>63</b>	fog	+\$0
<b>BK</b>	black	+\$0
<b>SG</b>	slate grey	+\$0

Work Stool, Suspension Mid-Back,  
Assembled *continued*

---

Step 11. Seat Fabric	
Price Category 9	+\$224
Price Category 10	+\$230
Price Category 11	+\$316
Price Category 1	+\$0
Price Category 2	+\$13
Price Category 3	+\$23
Price Category 4	+\$43
Price Category 5	+\$72
Price Category 7	+\$137
Price Category 8	+\$179
Price Category B	+\$34
Price Category C	+\$46
Price Category D	+\$58
Price Category E	+\$70
Price Category F	+\$90
Price Category G	+\$116
Price Category H	+\$142
Price Category I	+\$166
Price Category J	+\$191
Price Category L	+\$240

Work Stool, Suspension Mid-Back AS7SB  
with Stretch Knit Back Cover,  
Assembled



Sayl® Work Stools

**Product Information**

**Description**

This fully-assembled work stool has a frameless 3D Intelligent® Suspension back and a Stretch knit back cover that allow freedom of movement while providing targeted back support and moving heat away from the body. The suspension is supported by a Y-Tower®. The knit back cover provides a soft layer and has a knit-to-fit construction with elastomeric yarns that allows it to flex as the user moves. The synchronous tilt provides continuous balance and lets the body recline naturally, pivoting at the ankles, knees, and hips.

The chair has a 5-star base.

Tilt options include a tilt limiter and tilt limiter with seat angle. The tilt limiter allows the user to limit the amount of recline and set the back into an upright position. The tilt limiter with seat angle allows the user to set the tilt range and select a 5° forward seat angle.

The stool has an upholstered seat. Seat options include a fixed 16" seat depth, or a height-adjustable seat depth that allows the user to adjust the depth from 16" to 18".

Back-support options include a standard option with no additional support, and an adjustable lumbar support option. The standard option has passive PostureFit® back support molded directly into the strands of the suspension material, providing targeted support at the base of the back, below the beltline, that helps achieve healthier posture and improved lower back comfort. The adjustable lumbar support option adds a user-adjustable lumbar that adjusts 4" in height.

Arm choices include a no arm option; a fixed, non-adjustable option, a height adjustable option that allows the arms to move 4" vertically; and a fully adjustable option that allows the arms to move 4" vertically, 1 3/8" horizontally, 2" front-to-back, with armpads that pivot 11° inward and 11° outward.

**Notes**

Footrest available in trivalent chrome; column and ring support are black.

Footrest diameter is 20".

Arm and tilt cover finish matches specified Y-Tower finish.

Arms and Stretch knit back cover can be removed in the field with no tools required.

For information on casters and glides, see Casters and Glides in Appendices.

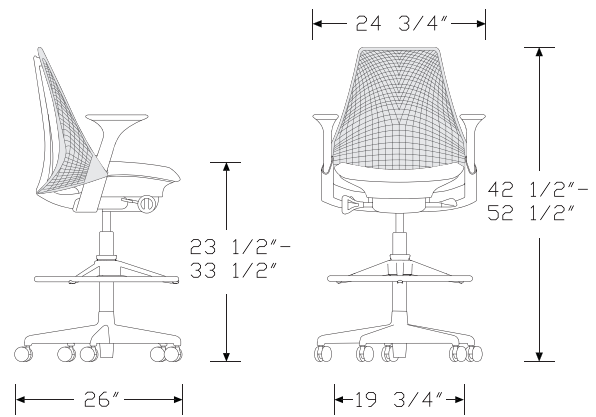
Customer's Own Material (COM) on the seat requires 3/4 yard. Customer's Own Leather (COL) on the seat requires 8 square feet. See Order information in Appendices.

MicrobeCare™ is an antimicrobial coating that can be applied to a wide variety of Herman Miller Group surfaces to protect products from mold, mildew, algae, and bacteria that cause deterioration, discoloration, odors, and stains.

MicrobeCare™ is a US Environmental Protection Agency (EPA) registered nonpublic health antimicrobial.

MicrobeCare™ is applied to the major touchpoints, including the seat, backrest, arms, armrests, frame and adjustment controls.

**Dimensions**



Work Stool, Suspension Mid-Back  
with Stretch Knit Back Cover,  
Assembled *continued*

Specification Information		
Step 1.		
<b>AS7SB</b>	<input type="checkbox"/>	
Step 2. Height Adjustment		
<b>5</b>	stool extended height range <input type="checkbox"/>	+\$1558
Step 3. Tilt		
<b>2</b>	tilt limiter <input type="checkbox"/>	+\$0
<b>3</b>	tilt limiter and seat angle	+\$59
Step 4. Arms		
<b>N</b>	no arms	+\$0
<b>P</b>	fixed arms	+\$116
<b>H</b>	height-adjustable arms	+\$196
<b>A</b>	fully adjustable arms <input type="checkbox"/>	+\$274
Step 5. Seat-Depth Adjustment		
<b>F</b>	fixed seat depth	+\$0
<b>A</b>	adjustable seat depth <input type="checkbox"/>	+\$102
Step 6. Fire Retardancy		
<i>For not fire retardant (*), skip this step.</i>		
	not fire retardant <input type="checkbox"/>	+\$0
Step 7. Back Support Option		
<b>N2</b>	no additional support <input type="checkbox"/>	+\$0
<b>AJ</b>	adjustable lumbar support	+\$55
Step 8. Base/Y-Tower® Finish		
<i>For no arms (N), fixed arms (P), or height-adjustable arms (H)</i>		
<b>BK</b>	black <input type="checkbox"/>	+\$0
<b>65</b>	fog with studio white Y-Tower®	+\$45
<b>68</b>	polished aluminum base with black Y-Tower® <input type="checkbox"/>	+\$95
<b>67</b>	polished aluminum base with studio white Y-Tower® <input type="checkbox"/>	+\$145
<b>MBL</b>	black with MicrobeCare™ <input type="checkbox"/>	+\$70
<b>M65</b>	fog with studio white Y-Tower® with MicrobeCare™ <input type="checkbox"/>	+\$115
<b>M68</b>	polished aluminum base with black Y-Tower® with MicrobeCare™ <input type="checkbox"/>	+\$165
<b>M67</b>	polished aluminum base with studio white Y-Tower® with MicrobeCare™ <input type="checkbox"/>	+\$215

<i>For fully adjustable arms (A)</i>		
<b>BK</b>	black <input type="checkbox"/>	+\$0
<b>65</b>	fog with studio white Y-Tower®	+\$45
<b>68</b>	polished aluminum base with black Y-Tower® <input type="checkbox"/>	+\$95
<b>67</b>	polished aluminum base with studio white Y-Tower® <input type="checkbox"/>	+\$145
<b>MBL</b>	black with MicrobeCare™ <input type="checkbox"/>	+\$70
<b>M65</b>	fog with studio white Y-Tower® with MicrobeCare™ <input type="checkbox"/>	+\$115
<b>M68</b>	polished aluminum base with black Y-Tower® with MicrobeCare™ <input type="checkbox"/>	+\$165
<b>M67</b>	polished aluminum base with studio white Y-Tower® with MicrobeCare™ <input type="checkbox"/>	+\$215
Step 9. Casters		
<b>BB</b>	2½" hard caster, black yoke, carpet only <input type="checkbox"/>	+\$0
<b>GF</b>	2½" glide, hard floors or carpet	+\$25
<b>C7</b>	2½" caster, black yoke, hard floors or carpet <input type="checkbox"/>	+\$50
<b>C9</b>	2½" braking caster, black yoke, hard floors or carpet	+\$50
Step 10. Back Suspension Finish		
<b>63</b>	fog	+\$15
<b>BK</b>	black <input type="checkbox"/>	+\$0
<b>SG</b>	slate grey	+\$15
<b>3M</b>	berry blue <input type="checkbox"/>	+\$40
<b>98</b>	studio white (CP)	+\$40
<b>RO</b>	red	+\$40
Step 11. Armpad Finish		
<i>For fixed arms (P), height-adjustable arms (H), or fully adjustable arms (A)</i>		
<b>63</b>	fog	+\$0
<b>BK</b>	black <input type="checkbox"/>	+\$0
<b>SG</b>	slate grey	+\$0

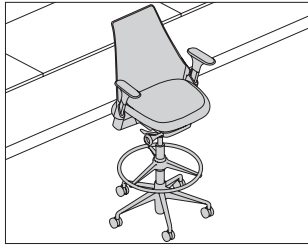
Work Stool, Suspension Mid-Back  
with Stretch Knit Back Cover,  
Assembled *continued*

Say® Work Stools

Step 12. Seat Fabric	
Price Category 7	+\$137
Price Category 8	+\$179
Price Category 9	+\$224
Price Category 10	+\$230
Price Category 11	+\$316
Price Category 1	+\$0
Price Category 2	+\$13
Price Category 3	+\$23
Price Category 4	+\$43
Price Category 5	+\$72
Price Category B	+\$34
Price Category C	+\$0
Price Category D	+\$58
Price Category E	+\$70
Price Category F	+\$90
Price Category G	+\$116
Price Category H	+\$142
Price Category I	+\$166
Price Category J	+\$191
Price Category L	+\$240
Step 13. Back Cover Material	
Price Category 1	+\$0

Work Stool, Upholstered Mid-Back,  
Value Package, Assembled

AS7VC



Product Information

Description

This fully-assembled work stool has a flexible narrow-top back supported by a Y-Tower® that allows freedom of movement, an upholstered seat and back with foam padding, and passive Posturefit® back support. The synchronous tilt provides continuous balance and lets the body recline naturally, pivoting at the ankles, knees, and hips. The stool has a 5-star base.

Tilt options include a tilt limiter and tilt limiter with seat angle. The tilt limiter allows the user to limit the amount of recline and set the back into an upright position. The tilt limiter with seat angle allows the user to set the tilt range and select a 5° forward seat angle.

Seat options include a fixed 16" seat depth, or an adjustable seat depth that allows the user to adjust the depth from 16" to 18".

Back-support options include a standard option with no additional support, and an adjustable lumbar support option. The standard option has passive Posturefit back support, providing targeted support at the base of the back, below the beltline, that helps achieve healthier posture and improved lower back comfort. The adjustable lumbar support option adds a user-adjustable lumbar that adjusts 4" in height.

Arm choices include a no arm option; a fixed, non-adjustable option; a height adjustable option that allows the arms to move 4" vertically; and a fully adjustable option that allows the arms to move 4" vertically, 1 3/8" horizontally, 2" front-to-back, with armpads that pivot 11° inward and 11° outward.

Notes

Value package stool is upholstered with a Crossover textile in a black finish; all stool finishes are black (Y-Tower, armpads, arms, tilt cover and base).

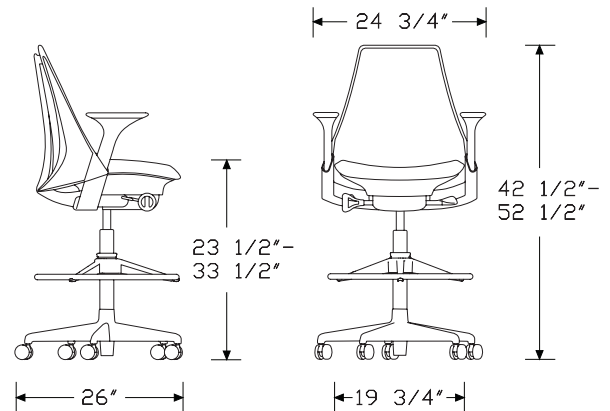
Footrest available in trivalent chrome; column and ring support are black.

Footrest diameter is 20".

Arms can be removed in the field with no tools required.

For information on casters and glides, see Casters and Glides in Appendices.

Dimensions



Say® Work Stools

Work Stool, Upholstered Mid-Back,  
Value Package, Assembled *continued*

Sayl® Work Stools

**Specification Information**

Step 1.

**AS7VC**

Step 2. Height Adjustment

**5** stool extended height range +\$1490

Step 3. Tilt

**2** tilt limiter +\$0

**3** tilt limiter and seat angle +\$59

Step 4. Arms

**N** no arms +\$0

**P** fixed arms +\$116

**H** height-adjustable arms +\$196

**A** fully adjustable arms +\$274

Step 5. Seat-Depth Adjustment

**F** fixed seat depth +\$0

**A** adjustable seat depth +\$102

Step 6. Back Support Option

**N2** no additional support +\$0

**AJ** adjustable lumbar support +\$55

Step 7. Casters

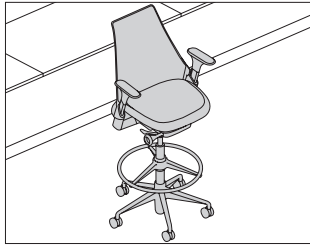
**BB** 2½" hard caster, black yoke, carpet only +\$0

**GF** 2½" glide, hard floors or carpet +\$25

**C7** 2½" caster, black yoke, hard floors or carpet +\$50

**C9** 2½" braking caster, black yoke, hard floors or carpet +\$50

Work Stool, Upholstered Mid-Back, AS7SC  
Assembled



**Product Information**

**Description**

This fully-assembled work stool has a flexible narrow-top back supported by a Y-Tower® that allows freedom of movement, an upholstered seat and back with foam padding, and passive Posturefit® back support. The synchronous tilt provides continuous balance and lets the body recline naturally, pivoting at the ankles, knees, and hips. The stool has a 5-star base and 3 height-adjustment options.

Tilt options include a tilt limiter and tilt limiter with seat angle. The tilt limiter allows the user to limit the amount of recline and set the back into an upright position. The tilt limiter with seat angle allows the user to set the tilt range and select a 5° forward seat angle.

Seat options include a fixed 16" seat depth, or an adjustable seat depth that allows the user to adjust the depth from 16" to 18".

Back-support options include a standard option with no additional support, and an adjustable lumbar support option. The standard option has passive Posturefit back support, providing targeted support at the base of the back, below the beltline, that helps achieve healthier posture and improved lower back comfort. The adjustable lumbar support option adds a user-adjustable lumbar that adjusts 4" in height.

Arm choices include a no arm option; a fixed, non-adjustable option; a height adjustable option that allows the arms to move 4" vertically; and a fully adjustable option that allows the arms to move 4" vertically, 1 3/8" horizontally, 2" front-to-back, with armpads that pivot 11° inward and 11° outward.

**Notes**

Footrest available in trivalent chrome; column and ring support are black.

Footrest diameter is 20".

Arm and tilt cover finish matches specified Y-Tower finish.

Arms can be removed in the field with no tools required.

For information on casters and glides, see Casters and Glides in Appendices.

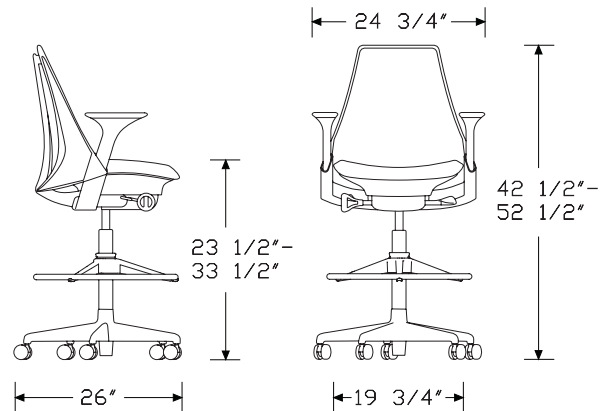
Customer's Own Material (COM) requires 1 3/4 yards. Customer's Own Leather (COL) requires 22 square feet. See Order information in Appendices.

MicrobeCare™ is an antimicrobial coating that can be applied to a wide variety of Herman Miller Group surfaces to protect products from mold, mildew, algae, and bacteria that cause deterioration, discoloration, odors, and stains.

MicrobeCare™ is a US Environmental Protection Agency (EPA) registered nonpublic health antimicrobial.

MicrobeCare™ is applied to the major touchpoints, including the seat, backrest, arms, armrests, frame and adjustment controls.

**Dimensions**



Sayl® Work Stools

Work Stool, Upholstered Mid-Back,  
Assembled *continued*

Sayl® Work Stools

Specification Information		
Step 1.		
<b>AS7SC</b>		
Step 2. Height Adjustment		
5	stool extended height range	+\$1521
Step 3. Tilt		
2	tilt limiter	+\$0
3	tilt limiter and seat angle	+\$59
Step 4. Arms		
N	no arms	+\$0
P	fixed arms	+\$116
H	height-adjustable arms	+\$196
A	fully adjustable arms	+\$274
Step 5. Seat-Depth Adjustment		
F	fixed seat depth	+\$0
A	adjustable seat depth	+\$102
Step 6. Back Support Option		
N2	no additional support	+\$0
AJ	adjustable lumbar support	+\$55
Step 7. Base/Y-Tower® Finish		

<i>For no arms (N), fixed arms (P), or height-adjustable arms (H)</i>		
BK	black	+\$0
65	fog with studio white Y-Tower®	+\$45
68	polished aluminum base with black Y-Tower® <input type="checkbox"/> A	+\$95
67	polished aluminum base with studio white Y-Tower® <input type="checkbox"/> A	+\$145
MBL	black with MicrobeCare™ <input type="checkbox"/> A	+\$70
M65	fog with studio white Y-Tower® with MicrobeCare™ <input type="checkbox"/> A	+\$115
M68	polished aluminum base with black Y-Tower® with MicrobeCare™ <input type="checkbox"/> A	+\$165
M67	polished aluminum base with studio white Y-Tower® with MicrobeCare™ <input type="checkbox"/> A	+\$215

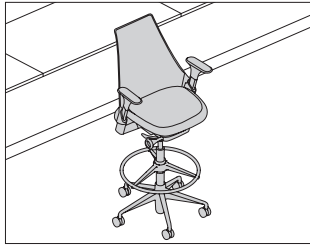
<i>For fully adjustable arms (A)</i>		
BK	black	+\$0
65	fog with studio white Y-Tower®	+\$45
68	polished aluminum base with black Y-Tower® <input type="checkbox"/> A	+\$95
67	polished aluminum base with studio white Y-Tower® <input type="checkbox"/> A	+\$145
MBL	black with MicrobeCare™ <input type="checkbox"/> A	+\$70
M65	fog with studio white Y-Tower® with MicrobeCare™ <input type="checkbox"/> A	+\$115
M68	polished aluminum base with black Y-Tower® with MicrobeCare™ <input type="checkbox"/> A	+\$165
M67	polished aluminum base with studio white Y-Tower® with MicrobeCare™ <input type="checkbox"/> A	+\$215

Step 8. Casters		
BB	2½" hard caster, black yoke, carpet only	+\$0
GF	2½" glide, hard floors or carpet	+\$25
C7	2½" caster, black yoke, hard floors or carpet	+\$50
C9	2½" braking caster, black yoke, hard floors or carpet	+\$50

Step 9. Armpad Finish		
<i>For fixed arms (P), height-adjustable arms (H), or fully adjustable arms (A)</i>		
63	fog	+\$0
BK	black	+\$0
SG	slate grey	+\$0

Step 10. Seat/Back Fabric		
<i>See application chart and textiles list for fabric usage and numbers. First 2 digits of number indicate fabric line; remaining digit(s) indicate fabric color.</i>		
Price Category 9		+\$480
Price Category 10		+\$577
Price Category 1		+\$0
Price Category 2		+\$26
Price Category 3		+\$48
Price Category 4		+\$92
Price Category 5		+\$148
Price Category B		+\$71
Price Category C		+\$97
Price Category D		+\$122
Price Category E		+\$148
Price Category F		+\$191
Price Category G		+\$248
Price Category H		+\$301
Price Category I		+\$354
Price Category J		+\$407
Price Category L		+\$512

Work Stool, Upholstered High-Back,  
Value Package, Assembled AS7VD



**Product Information**

**Description**

This fully-assembled stool has a flexible narrow-top high back supported by a Y-Tower® that allows freedom of movement, an upholstered seat and back with foam padding, and passive Posturefit® back support. The synchronous tilt provides continuous balance and lets the body recline naturally, pivoting at the ankles, knees, and hips. The stool has a 5-star base.

Tilt options include a tilt limiter and tilt limiter with seat angle. The tilt limiter allows the user to limit the amount of recline and set the back into an upright position. The tilt limiter with seat angle allows the user to set the tilt range and select a 5° forward seat angle.

Seat options include a fixed 16" seat depth, or an adjustable seat depth that allows the user to adjust the depth from 16" to 18".

Back-support options include a standard option with no additional support, and an adjustable lumbar support option. The standard option has passive Posturefit back support, providing targeted support at the base of the back, below the beltline, that helps achieve healthier posture and improved lower back comfort. The adjustable lumbar support option adds a user-adjustable lumbar that adjusts 4" in height.

Arm choices include a no arm option; a fixed, non-adjustable option; a height adjustable option that allows the arms to move 4" vertically; and a fully adjustable option that allows the arms to move 4" vertically, 1 3/8" horizontally, 2" front-to-back, with armpads that pivot 11° inward and 11° outward.

**Notes**

Value package stool is upholstered with a Crossover textile in a black finish; all stool finishes are black (Y-Tower, armpads, arms, tilt cover and base).

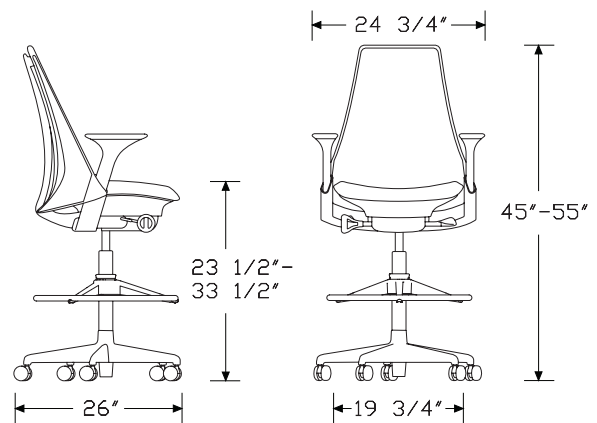
Footrest available in trivalent chrome; column and ring support are black.

Footrest diameter is 20".

Arms can be removed in the field with no tools required.

For information on casters and glides, see Casters and Glides in Appendices.

**Dimensions**



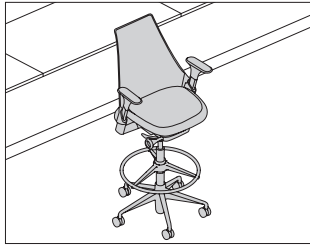
Sayl® Work Stools

Work Stool, Upholstered High-Back,  
Value Package, Assembled *continued*

Sayl® Work Stools

Specification Information		
Step 1.		
AS7VD	<input type="checkbox"/>	
Step 2. Height Adjustment		
5	stool extended height range <input type="checkbox"/>	+\$1562
Step 3. Tilt		
2	tilt limiter <input type="checkbox"/>	+\$0
3	tilt limiter and seat angle <input type="checkbox"/>	+\$59
Step 4. Arms		
N	no arms <input type="checkbox"/>	+\$0
P	fixed arms <input type="checkbox"/>	+\$116
H	height-adjustable arms <input type="checkbox"/>	+\$196
A	fully adjustable arms <input type="checkbox"/>	+\$274
Step 5. Seat-Depth Adjustment		
F	fixed seat depth <input type="checkbox"/>	+\$0
A	adjustable seat depth <input type="checkbox"/>	+\$102
Step 6. Back Support Option		
N2	no additional support <input type="checkbox"/>	+\$0
AJ	adjustable lumbar support <input type="checkbox"/>	+\$55
Step 7. Casters		
BB	2½" hard caster, black yoke, carpet only <input type="checkbox"/>	+\$0
GF	2½" glide, hard floors or carpet <input type="checkbox"/>	+\$25
C7	2½" caster, black yoke, hard floors or carpet <input type="checkbox"/>	+\$50
C9	2½" braking caster, black yoke, hard floors or carpet <input type="checkbox"/>	+\$50

# Work Stool, Upholstered High-Back, AS7SD Assembled



## Product Information

### Description

This fully-assembled work stool has a flexible narrow-top high back supported by a Y-Tower® that allows freedom of movement, an upholstered seat and back with foam padding, and passive Posturefit® back support. The synchronous tilt provides continuous balance and lets the body recline naturally, pivoting at the ankles, knees, and hips. The chair has a 5-star base.

Tilt options include a tilt limiter and tilt limiter with seat angle. The tilt limiter allows the user to limit the amount of recline and set the back into an upright position. The tilt limiter with seat angle allows the user to set the tilt range and select a 5° forward seat angle.

Seat options include a fixed 16" seat depth, or an adjustable seat depth that allows the user to adjust the depth from 16" to 18".

Back-support options include a standard option with no additional support, and an adjustable lumbar support option. The standard option has passive Posturefit back support, providing targeted support at the base of the back, below the beltline, that helps achieve healthier posture and improved lower back comfort. The adjustable lumbar support option adds a user-adjustable lumbar that adjusts 4" in height.

Arm choices include a no arm option; a fixed, non-adjustable option; a height adjustable option that allows the arms to move 4" vertically; and a fully adjustable option that allows the arms to move 4" vertically, 1 3/8" horizontally, 2" front-to-back, with armpads that pivot 11° inward and 11° outward.

### Notes

Footrest available in trivalent chrome; column and ring support are black.

Footrest diameter is 20".

Arm and tilt cover finish matches specified Y-Tower finish.

Arms can be removed in the field with no tools required.

For information on casters and glides, see Casters and Glides in

Appendices.

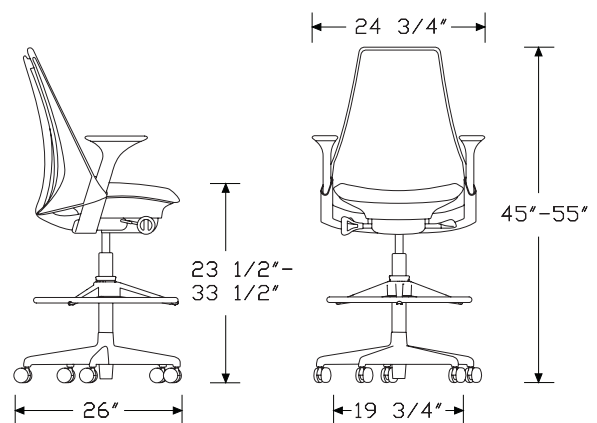
Customer's Own Material (COM) requires 2 yards. Customer's Own Leather (COL) requires 23 3/8 square feet. See Order information in Appendices.

MicrobeCare™ is an antimicrobial coating that can be applied to a wide variety of Herman Miller Group surfaces to protect products from mold, mildew, algae, and bacteria that cause deterioration, discoloration, odors, and stains.

MicrobeCare™ is a US Environmental Protection Agency (EPA) registered nonpublic health antimicrobial.

MicrobeCare™ is applied to the major touchpoints, including the seat, backrest, arms, armrests, frame and adjustment controls.

## Dimensions



Work Stool, Upholstered High-Back,  
Assembled *continued*

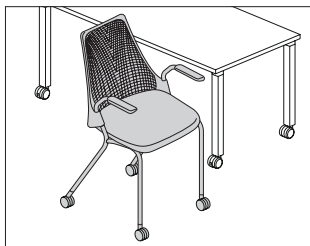
Sayl® Work Stools

Specification Information		
Step 1.		
<b>AS7SD</b>	<input type="checkbox"/>	
Step 2. Height Adjustment		
<b>5</b>	stool extended height range <input type="checkbox"/>	+\$1592
Step 3. Tilt		
<b>2</b>	tilt limiter <input type="checkbox"/>	+\$0
<b>3</b>	tilt limiter and seat angle <input type="checkbox"/>	+\$59
Step 4. Arms		
<b>N</b>	no arms <input type="checkbox"/>	+\$0
<b>P</b>	fixed arms <input type="checkbox"/>	+\$116
<b>H</b>	height-adjustable arms <input type="checkbox"/>	+\$196
<b>A</b>	fully adjustable arms <input type="checkbox"/>	+\$274
Step 5. Seat-Depth Adjustment		
<b>F</b>	fixed seat depth <input type="checkbox"/>	+\$0
<b>A</b>	adjustable seat depth <input type="checkbox"/>	+\$102
Step 6. Back Support Option		
<b>N2</b>	no additional support <input type="checkbox"/>	+\$0
<b>AJ</b>	adjustable lumbar support <input type="checkbox"/>	+\$55
Step 7. Base/Y-Tower® Finish		
<i>For no arms (N), fixed arms (P), or height-adjustable arms (H)</i>		
<b>BK</b>	black <input type="checkbox"/>	+\$0
<b>65</b>	fog with studio white Y-Tower® <input type="checkbox"/>	+\$45
<b>68</b>	polished aluminum base with black Y-Tower® <input type="checkbox"/>	+\$95
<b>67</b>	polished aluminum base with studio white Y-Tower® <input type="checkbox"/>	+\$145
<b>MBL</b>	black with MicrobeCare™ <input type="checkbox"/>	+\$70
<b>M65</b>	fog with studio white Y-Tower® with MicrobeCare™ <input type="checkbox"/>	+\$115
<b>M68</b>	polished aluminum base with black Y-Tower® with MicrobeCare™ <input type="checkbox"/>	+\$165
<b>M67</b>	polished aluminum base with studio white Y-Tower® with MicrobeCare™ <input type="checkbox"/>	+\$215

<i>For fully adjustable arms (A)</i>		
<b>BK</b>	black <input type="checkbox"/>	+\$0
<b>65</b>	fog with studio white Y-Tower® <input type="checkbox"/>	+\$45
<b>68</b>	polished aluminum base with black Y-Tower® <input type="checkbox"/>	+\$95
<b>67</b>	polished aluminum base with studio white Y-Tower® <input type="checkbox"/>	+\$145
<b>MBL</b>	black with MicrobeCare™ <input type="checkbox"/>	+\$70
<b>M65</b>	fog with studio white Y-Tower® with MicrobeCare™ <input type="checkbox"/>	+\$115
<b>M68</b>	polished aluminum base with black Y-Tower® with MicrobeCare™ <input type="checkbox"/>	+\$165
<b>M67</b>	polished aluminum base with studio white Y-Tower® with MicrobeCare™ <input type="checkbox"/>	+\$215
Step 8. Casters		
<b>BB</b>	2½" hard caster, black yoke, carpet only <input type="checkbox"/>	+\$0
<b>GF</b>	2½" glide, hard floors or carpet <input type="checkbox"/>	+\$25
<b>C7</b>	2½" caster, black yoke, hard floors or carpet <input type="checkbox"/>	+\$50
<b>C9</b>	2½" braking caster, black yoke, hard floors or carpet <input type="checkbox"/>	+\$50
Step 9. Armpad Finish		
<i>For fixed arms (P), height-adjustable arms (H), or fully adjustable arms (A)</i>		
<b>63</b>	fog <input type="checkbox"/>	+\$0
<b>BK</b>	black <input type="checkbox"/>	+\$0
<b>SG</b>	slate grey <input type="checkbox"/>	+\$0
Step 10. Seat/Back Fabric		
<i>See application chart and textiles list for fabric usage and numbers. First 2 digits of number indicate fabric line; remaining digit(s) indicate fabric color.</i>		
Price Category 9		+\$562
Price Category 10		+\$685
Price Category 1		+\$0
Price Category 2		+\$29
Price Category 3		+\$60
Price Category 4		+\$109
Price Category 5		+\$184
Price Category B		+\$84
Price Category C		+\$115
Price Category F		+\$227
Price Category H		+\$360
Price Category I		+\$424
Price Category J		+\$486
Price Category L		+\$612

Side Chair, 4-Leg Base, Value Package

AS4VS  
AS4VU



Product Information

Description

This side chair has a 4-leg base with glides or casters. It has an upholstered seat with foam padding and is available with an upholstered or suspension back. It is available with or without arms.

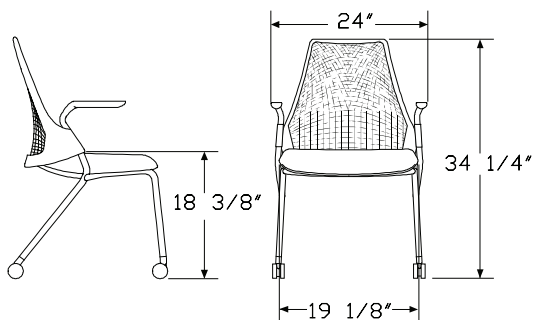
All styles of this chair can be stacked up to 4-chairs high on the floor.

Notes

Value package chair is upholstered with a Crossover textile in a black finish; all chair finishes are black.

For information on casters and glides, see Casters and Glides in Appendices.

Dimensions



Specification Information

Step 1.

AS4V

Step 2. Back Style

<b>S</b>	suspension back <input type="checkbox"/>	+\$707
<b>U</b>	upholstered back	+\$779

Step 3. Arms

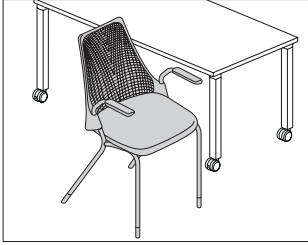
<b>N</b>	no arms <input type="checkbox"/>	+\$0
<b>P</b>	fixed arms <input type="checkbox"/>	+\$68

Step 4. Casters/Glides

<b>16</b>	acetal glide, carpet only <input type="checkbox"/>	+\$0
<b>69</b>	Floor Saver Glide®, hard floors only <input type="checkbox"/>	+\$25
<b>32</b>	hard wheel caster, carpet only <input type="checkbox"/>	+\$50
<b>49</b>	soft wheel caster, carpet or hard floors <input type="checkbox"/>	+\$50

# Side Chair, 4-Leg Base

AS4SS  
AS4SU



Sayl® Side Chairs

### Product Information

#### Description

This side chair has a 4-leg base with glides or casters. It has an upholstered seat with foam padding and is available with an upholstered or suspension back. It is available with or without arms.

All styles of this chair can be stacked up to 4-chairs high on the floor.

#### Notes

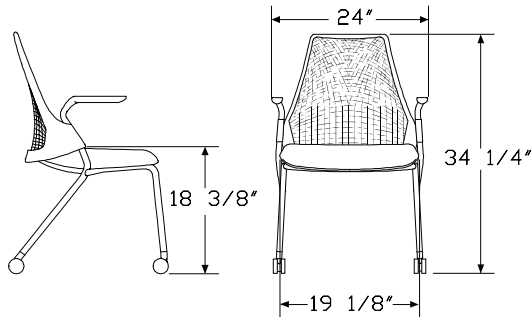
For information on casters and glides, see Casters and Glides in

#### Appendices.

Customer's Own Material (COM) requires  $\frac{3}{4}$  yard for chairs with suspension backs and  $1\frac{1}{2}$  yards for chairs with upholstered backs. See Order information in Appendices.

Customers Own Leather (COL) requires  $5\frac{1}{2}$  square feet for chairs with suspension backs and 10 square feet for chairs with upholstered backs.

### Dimensions



### Specification Information

#### Step 1.

**AS4S**

#### Step 2. Back Style

<b>S</b>	suspension back <input type="checkbox"/>	+\$736
<b>U</b>	upholstered back	+\$808

#### Step 3. Arms

<b>N</b>	no arms <input type="checkbox"/>	+\$0
<b>P</b>	fixed arms <input type="checkbox"/>	+\$68

#### Step 4. Casters/Glides

<b>16</b>	acetal glide, carpet only <input type="checkbox"/>	+\$0
<b>69</b>	Floor Saver Glide®, hard floors only <input type="checkbox"/>	+\$25
<b>32</b>	hard wheel caster, carpet only <input type="checkbox"/>	+\$50
<b>49</b>	soft wheel caster, carpet or hard floors <input type="checkbox"/>	+\$50

#### Step 5. Leg Finish

<b>BK</b>	black <input type="checkbox"/>	+\$0
<b>98</b>	studio white (CP)	+\$20
<b>MS</b>	metallic silver <input type="checkbox"/>	+\$20
<b>47</b>	trivalent chrome <input type="checkbox"/>	+\$165

#### Step 6. Back/Back Edge Finish

<b>63</b>	fog <input type="checkbox"/>	+\$0
<b>98</b>	studio white (CP) <input type="checkbox"/>	+\$0
<b>BK</b>	black <input type="checkbox"/>	+\$0
<b>SG</b>	slate grey <input type="checkbox"/>	+\$0

#### Step 7. Back Suspension Finish

##### For suspension back (S)

<b>63</b>	fog <input type="checkbox"/>	+\$15
<b>BK</b>	black <input type="checkbox"/>	+\$0
<b>SG</b>	slate grey <input type="checkbox"/>	+\$15
<b>3M</b>	berry blue <input type="checkbox"/>	+\$40
<b>98</b>	studio white (CP) <input type="checkbox"/>	+\$40
<b>RO</b>	red <input type="checkbox"/>	+\$40

#### Step 8. Arm/Glide Finish

<b>63</b>	fog <input type="checkbox"/>	+\$0
<b>BK</b>	black <input type="checkbox"/>	+\$0

Side Chair, 4-Leg Base *continued*

Step 9. Seat Fabric

See application chart and textiles list for fabric usage and numbers. First 2 digits of number indicate fabric line; remaining digit(s) indicate fabric color.

For suspension back (S)

Price Category 10	+\$270
Price Category 9	+\$224
Price Category 1	+\$0
Price Category 2	+\$13
Price Category 3	+\$23
Price Category 4	+\$43
Price Category 5	+\$72
Price Category 7	+\$137
Price Category 8	+\$179
Price Category B	+\$34
Price Category C	+\$46
Price Category D	+\$58
Price Category E	+\$70
Price Category F	+\$90
Price Category G	+\$116
Price Category H	+\$142
Price Category I	+\$166
Price Category J	+\$191
Price Category L	+\$240
Price Category M	+\$265
Price Category L	+\$240

For upholstered back (U)

Price Category 7	+\$137
Price Category 1	+\$0
Price Category 2	+\$13
Price Category 3	+\$23
Price Category 4	+\$43
Price Category 5	+\$72
Price Category 9	+\$224
Price Category 10	+\$270
Price Category B	+\$34
Price Category C	+\$46
Price Category D	+\$58
Price Category E	+\$70
Price Category F	+\$90
Price Category G	+\$116
Price Category H	+\$142
Price Category I	+\$166
Price Category L	+\$240

Step 10. Back Fabric

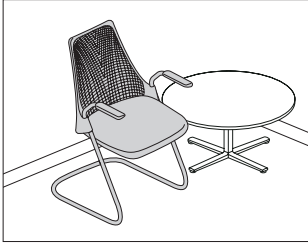
For upholstered back (U)

See application chart and textiles list for fabric usage and numbers. First 2 digits of number indicate fabric line; remaining digit(s) indicate fabric color.

Price Category 10	+\$270
Price Category 9	+\$224
Price Category 1	+\$0
Price Category 2	+\$13
Price Category 3	+\$23
Price Category 4	+\$43
Price Category 5	+\$72
Price Category 7	+\$137
Price Category B	+\$34
Price Category C	+\$46
Price Category D	+\$58
Price Category E	+\$70
Price Category F	+\$90
Price Category G	+\$116
Price Category H	+\$142
Price Category I	+\$166
Price Category L	+\$240

Side Chair, Sled Base, Value Package

AS5VS  
AS5VU



Sayl® Side Chairs

Product Information

Description

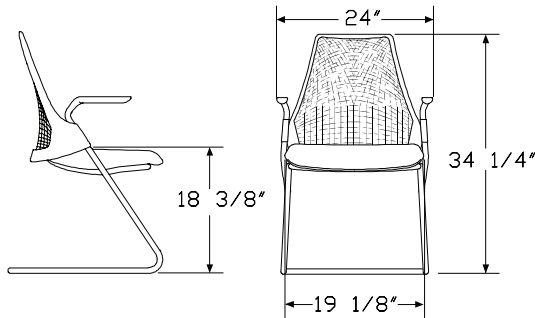
This side chair has a sled base with or without glides, an upholstered seat with foam padding, and is available with an upholstered or suspension back. It is available with or without arms.

Notes

Value package chair is upholstered with a Crossover textile in a black finish; all chair finishes are black.

For chair used on carpet, no glide (NG) or nylon glide, hard floor or carpet (XS) option is recommended. For chair used on hard floors, nylon glide, hard floor or carpet (XS) option is recommended. For information on glides, see Casters and Glides in Appendices.

Dimensions



Specification Information

Step 1.

AS5V

Step 2. Back Style

<b>S</b>	suspension back	+\$834
<b>U</b>	upholstered back	+\$908

Step 3. Arms

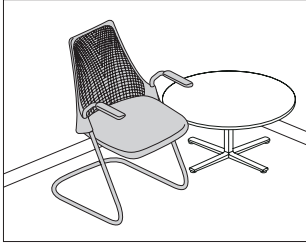
<b>N</b>	no arms	+\$0
<b>P</b>	fixed arms	+\$68

Step 4. Glides

<b>NG</b>	no glide, carpet only	+\$0
<b>XS</b>	nylon glide, hard floors or carpet	+\$20

# Side Chair, Sled Base

AS5SS  
AS5SU



## Product Information

### Description

This side chair has a sled base with or without glides, an upholstered seat with foam padding, and is available with an upholstered or suspension back. It is available with or without arms.

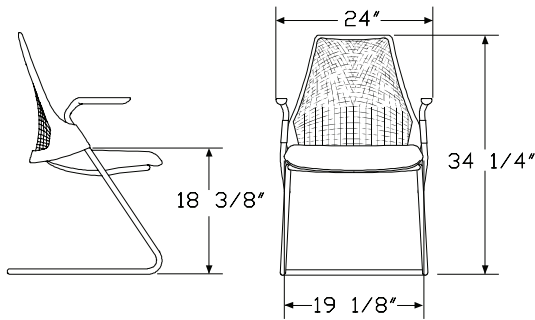
### Notes

For chair used on carpet, no glide (NG) or nylon glide, hard floor or carpet (XS) option is recommended. For chair used on hard floors, nylon glide, hard floor or carpet (XS) option is recommended. For information on glides, see Casters and Glides in Appendices.

Customer's Own Material (COM) requires 3/4 yard for chairs with suspension back and 1 1/2 yards for chairs with upholstered backs. See Order information in Appendices.

Customers Own Leather (COL) requires 5 1/2 square feet for chairs with suspension backs and 10 square feet for chairs with upholstered backs.

## Dimensions



## Specification Information

### Step 1.

#### AS5S

### Step 2. Back Style

<b>S</b>	suspension back	+\$861
<b>U</b>	upholstered back	+\$937

### Step 3. Arms

<b>N</b>	no arms	+\$0
<b>P</b>	fixed arms	+\$68

### Step 4. Glides

<b>NG</b>	no glide, carpet only	+\$0
<b>XS</b>	nylon glide, hard floors or carpet	+\$20

### Step 5. Base Finish

<b>BK</b>	black	+\$0
<b>98</b>	studio white (CP)	+\$20
<b>MS</b>	metallic silver	+\$20
<b>47</b>	trivalent chrome <input type="checkbox"/> A	+\$165

### Step 6. Back Edge Finish

<b>63</b>	fog	+\$0
<b>98</b>	studio white (CP)	+\$0
<b>BK</b>	black	+\$0
<b>SG</b>	slate grey	+\$0

### Step 7. Back Suspension Finish

#### For suspension back (S)

<b>63</b>	fog	+\$15
<b>BK</b>	black	+\$0
<b>SG</b>	slate grey	+\$15
<b>3M</b>	berry blue <input type="checkbox"/> A	+\$40
<b>98</b>	studio white (CP)	+\$40
<b>RO</b>	red <input type="checkbox"/> A	+\$40

### Step 8. Arm Finish

#### For fixed arms (P)

<b>63</b>	fog	+\$0
<b>BK</b>	black	+\$0

Step 9. Seat Fabric

See application chart and textiles list for fabric usage and numbers. First 2 digits of number indicate fabric line; remaining digit(s) indicate fabric color.

For suspension back (S)

Price Category 1	+\$0
Price Category 2	+\$13
Price Category 3	+\$23
Price Category 4	+\$43
Price Category 5	+\$72
Price Category 7	+\$137
Price Category 8	+\$179
Price Category 9	+\$224
Price Category 10	+\$270
Price Category B	+\$34
Price Category C	+\$46
Price Category D	+\$58
Price Category E	+\$70
Price Category F	+\$90
Price Category G	+\$116
Price Category H	+\$142
Price Category I	+\$166
Price Category J	+\$191
Price Category L	+\$240
Price Category M	+\$265

For upholstered back (U)

Price Category 7	+\$137
Price Category 1	+\$0
Price Category 2	+\$13
Price Category 3	+\$23
Price Category 4	+\$43
Price Category 5	+\$72
Price Category 9	+\$224
Price Category 10	+\$270
Price Category B	+\$34
Price Category C	+\$46
Price Category E	+\$70
Price Category F	+\$90
Price Category G	+\$116
Price Category H	+\$142
Price Category I	+\$166

Step 10. Back Fabric

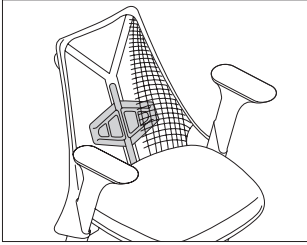
For upholstered back (U)

See application chart and textiles list for fabric usage and numbers. First 2 digits of number indicate fabric line; remaining digit(s) indicate fabric color.

Price Category 7	+\$137
Price Category 1	+\$0
Price Category 2	+\$13
Price Category 3	+\$23
Price Category 4	+\$43
Price Category 5	+\$72
Price Category B	+\$34
Price Category E	+\$70
Price Category F	+\$90
Price Category H	+\$142
Price Category I	+\$146

# Lumbar Kit

AS905



### Product Information

**Description**  
This height-adjustable lumbar support fits into the back of a Sayl® work chair with a suspension back and adjusts 4" in height.

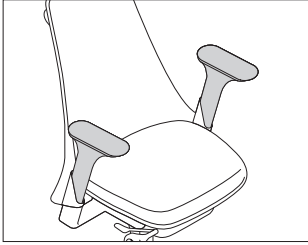
**Notes**  
Match lumbar finish with chair's Y-tower® finish.

### Specification Information

**Step 1.**  
**AS905** \$77

**Step 2. Lumbar Finish**

<b>98</b>	studio white (CP)	+\$0
<b>BK</b>	black	+\$0



**Product Information**

Description

These arms retrofit to a Sayl® work chair. Arm choices include a height adjustable option that allows the arms to move 4" vertically and a fully adjustable option that allows the arms to move 4" vertically, 1 3/8" horizontally, 2" front-to-back, with armpads that pivot 11° inward and 11° outward.

**Specification Information**

Step 1.

**AS900**

Step 2. Arms

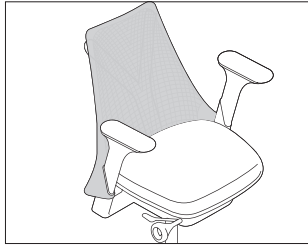
<b>A</b>	fully adjustable arms <input type="checkbox"/>	+\$287
<b>H</b>	height-adjustable arms <input type="checkbox"/>	+\$194

Step 3. Arm Finish

<b>98</b>	studio white (CP) <input type="checkbox"/>	+\$0
<b>BK</b>	black <input type="checkbox"/>	+\$0

Step 4. Armpad Finish

<b>63</b>	fog <input type="checkbox"/>	+\$0
<b>BK</b>	black <input type="checkbox"/>	+\$0
<b>SG</b>	slate grey <input type="checkbox"/>	+\$0
<b>97</b>	twilight <input type="checkbox"/>	+\$25



**Product Information**

**Description**

This Stretch knit back cover kit retrofits onto the back of the Sayl® work chair or stool with a 3D Intelligent® suspension back. It provides a soft layer to the front of the Sayl suspension back while maintaining breathability and moving heat away from the body. The Stretch knit has an elastomeric construction that allows it to flex to sustain the freedom of movement and targeted back support provided by the 3D Intelligent suspension back.

**Notes**

This knit cannot be applied to the Sayl side chair.  
 Stretch knit back cover can be removed in the field with no tools required.

**Specification Information**

**Step 1.**

**AS910**  **A** \$154

**Step 2. Back Cover Material**

Price Category 1 +\$0

Sayl® Chair, Gaming Edition,  
Suspension Mid-Back, Assembled,  
Contract

AS1SL



Product Information

Description

This fully-assembled chair has a frameless 3D Intelligent® Suspension back that allows freedom of movement, while providing targeted back support and moving heat away from the body. The suspension is supported by a Y-Tower® and anchored at the bottom by the ArcSpan®. The chair has an upholstered seat with foam padding and passive Posturefit® back support. The synchronous tilt provides continuous balance and lets the body recline naturally, pivoting at the ankles, knees, and hips. The chair has a 5-star base and 2 height-adjustment options.

The tilt mechanism is a tilt limiter with seat angle. The tilt limiter allows the user to set the tilt range to limit the amount of recline. The tilt limiter with seat angle allows the user to set the tilt range and select a 5° forward seat angle.

Adjustable seat depth allows the user to adjust the depth from 16" to 18".

The standard back-support option has no additional support. It has passive Posturefit back support molded directly into the strands of the suspension material, providing targeted support at the base of the back, below the beltline, that helps achieve healthier posture and improved lower back comfort.

Arm choices include a height adjustable option that allows the arms to move 4" vertically; a fully adjustable option that allows the arms to move 4" vertically, 1 3/8" horizontally, 2" front-to-back, with armpads that pivot 11° inward and 11° outward; fixed arms; and no arms.

Notes

Arm and tilt cover finishes and Y-Tower finish are black.

Arms can be removed in the field with no tools required.

For information on casters and glides, see Casters and Glides in

Appendices.

Customer's Own Material (COM) requires 3/4 yard. Customer's Own Leather

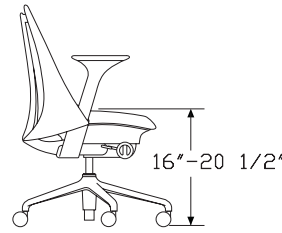
(COL) requires 8 square feet. See Order Information in appendices.

MicrobeCare™ is an antimicrobial coating that can be applied to a wide variety of Herman Miller Group surfaces to protect products from mold, mildew, algae, and bacteria that cause deterioration, discoloration, odors, and stains.

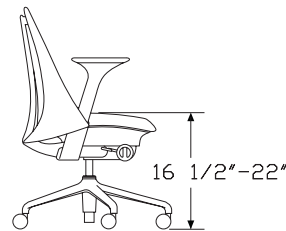
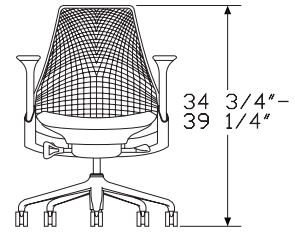
MicrobeCare™ is a US Environmental Protection Agency (EPA) registered nonpublic health antimicrobial.

MicrobeCare™ is applied to the major touchpoints, including the seat, backrest, arms, armrests, frame and adjustment controls.

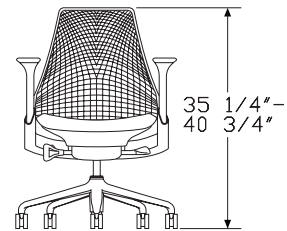
Dimensions



Standard-Height Range



High-Height Range



Sayl® Chair, Gaming Edition,  
 Suspension Mid-Back, Assembled,  
 Contract *continued*

**Specification Information**

Step 1.

**AS1SL**

Step 2. Height Adjustment

**2** standard-height range +\$1023

**3** high-height range +\$1087

Step 3. Tilt

**3** tilt limiter and seat angle +\$59

Step 4. Arms

**N** no arms +\$0

**P** fixed arms +\$116

**H** height-adjustable arms +\$196

**A** fully adjustable arms +\$274

Step 5. Seat-Depth Adjustment

**A** adjustable seat depth +\$102

Step 6. Back Support Option

**N2** no additional support +\$0

Step 7. Base/Y-Tower® Finish

**BK** black +\$0

Step 8. Casters

**C7** 2½" caster, black yoke, hard floors or carpet +\$50

**BB** 2½" hard caster, black yoke, carpet only +\$0

Step 9. Back Suspension Finish

**98** studio white (CP) +\$40

**BK** black +\$0

**INS** interstellar +\$40

**NEN** neon +\$40

**ODP** ocean deep +\$40

**RO** red +\$40

Step 10. Adjustment Controls Finish

*For studio white (CP) (98)*

**98** studio white (CP) +\$0

**RO** red +\$0

*For black (BK)*

**BK** black +\$0

**RO** red +\$0

*For interstellar (INS)*

**BK** black +\$0

**INS** interstellar +\$0

*For neon (NEN)*

**BK** black +\$0

**NEN** neon +\$0

*For ocean deep (ODP)*

**BK** black +\$0

**ODP** ocean deep +\$0

*For red (RO)*

**BK** black +\$0

**RO** red +\$0

Step 11. Armpad Finish

**BK** black +\$0

Step 12. Seat Fabric

Price Category 4 +\$43



# Index by Product Name

<b>Sayl® Chairs</b>	
	page(s)
Arm Kit	56
Lumbar Kit	55
Sayl® Back Cover Kit	57
Sayl® Chair, Gaming Edition, Suspension Mid-Back, Assembled, Contract	58
Side Chair, 4-Leg Base	50
Side Chair, 4-Leg Base, Value Package	49
Side Chair, Sled Base	53
Side Chair, Sled Base, Value Package	52
Work Chair, Suspension Mid-Back, Assembled	11
Work Chair, Suspension Mid-Back, Ready to Assemble	14
Work Chair, Suspension Mid-Back, Stretch Knit Back Cover, Value Package	7
Work Chair, Suspension Mid-Back, Value Package, Assembled	5
Work Chair, Suspension Mid-Back with Stretch Knit Back Cover, Assembled	17
Work Chair, Suspension Mid-Back with Stretch Knit Back Cover, Ready to Assemble	20
Work Chair, Suspension Mid-Back with Stretch Knit Back Cover, Value Package, RTA	9
Work Chair, Upholstered High-Back, Assembled	29
Work Chair, Upholstered High-Back, Value Package, Assembled	27
Work Chair, Upholstered Mid-Back, Assembled	25
Work Chair, Upholstered Mid-Back, Value Package, Assembled	23
Work Stool, Suspension Mid-Back, Assembled	35
Work Stool, Suspension Mid-Back, Stretch Knit Back Cover, Value Package	33
Work Stool, Suspension Mid-Back, Value Package, Assembled	31
Work Stool, Suspension Mid-Back with Stretch Knit Back Cover, Assembled	38
Work Stool, Upholstered High-Back, Assembled	47
Work Stool, Upholstered High-Back, Value Package, Assembled	45
Work Stool, Upholstered Mid-Back, Assembled	43
Work Stool, Upholstered Mid-Back, Value Package, Assembled	41



## Index by Product Number



AS1SA	Work Chair, Suspension Mid-Back, Assembled	page(s) 11
AS1SB	Work Chair, Suspension Mid-Back with Stretch Knit Back Cover, Assembled	17
AS1SC	Work Chair, Upholstered Mid-Back, Assembled	25
AS1SD	Work Chair, Upholstered High-Back, Assembled	29
AS1SL	Sayl® Chair, Gaming Edition, Suspension Mid-Back, Assembled, Contract	58
AS1VA	Work Chair, Suspension Mid-Back, Value Package, Assembled	5
AS1VB	Work Chair, Suspension Mid-Back, Stretch Knit Back Cover, Value Package	7
AS1VC	Work Chair, Upholstered Mid-Back, Value Package, Assembled	23
AS1VD	Work Chair, Upholstered High-Back, Value Package, Assembled	27
AS2SA	Work Chair, Suspension Mid-Back, Ready to Assemble	14
AS2SB	Work Chair, Suspension Mid-Back with Stretch Knit Back Cover, Ready to Assemble	20
AS2VB	Work Chair, Suspension Mid-Back with Stretch Knit Back Cover, Value Package, RTA	9
AS4SS	Side Chair, 4-Leg Base	50
AS4SU		
AS4VS	Side Chair, 4-Leg Base, Value Package	49
AS4VU		
AS5SS	Side Chair, Sled Base	53
AS5SU		
AS5VS	Side Chair, Sled Base, Value Package	52
AS5VU		
AS7SA	Work Stool, Suspension Mid-Back, Assembled	35
AS7SB	Work Stool, Suspension Mid-Back with Stretch Knit Back Cover, Assembled	38
AS7SC	Work Stool, Upholstered Mid-Back, Assembled	43
AS7SD	Work Stool, Upholstered High-Back, Assembled	47
AS7VA	Work Stool, Suspension Mid-Back, Value Package, Assembled	31
AS7VB	Work Stool, Suspension Mid-Back, Stretch Knit Back Cover, Value Package	33
AS7VC	Work Stool, Upholstered Mid-Back, Value Package, Assembled	41
AS7VD	Work Stool, Upholstered High-Back, Value Package, Assembled	45
AS900	Arm Kit	56
AS905	Lumbar Kit	55
AS910	Sayl® Back Cover Kit	57



## 20-Day or Less/Assigned Lead-Time Order Information

### 20-Day or Less and Assigned Lead-Time Programs

20-day or less and assigned lead-time products are designed for established Herman Miller dealers with pre-approved credit.

Products are distributed from multiple manufacturing facilities across the United States. All products and options not designated by an Assigned Lead-Time icon  will ship in 20 business days or less after being acknowledged by Herman Miller. Products and options designated by an  are on the assigned lead-time program and will ship in 20 days, less than 20 days, or more than 20 days from order acknowledgement.

### Ordering Procedure

Please place orders through Order Manager. If this is not available to you, place orders through mail or fax. Verbal purchase orders will not be accepted.

Order Entry fax number for Meridian®

Filing and Storage: (616) 846 9236.

Order Entry fax number for all other products:

(616) 654 3085.

For more information, contact your Customer Care representative at: (866) 854 3048 ext 3400.

### Shipments and Delivery

Per Herman Miller Terms and Conditions.

### Changes and Cancellation

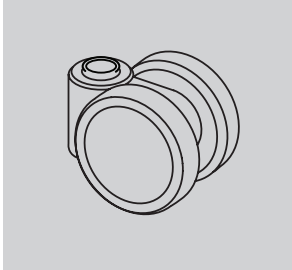
Per Herman Miller Terms and Conditions.



# Casters and Glides

▲	<b>WARNING</b>	▲
Depending on the floor surface, chair may unexpectedly roll away from user when entering or exiting the chair, possibly leading to unexpected injury. Please refer to descriptions of floor types when selecting casters.		

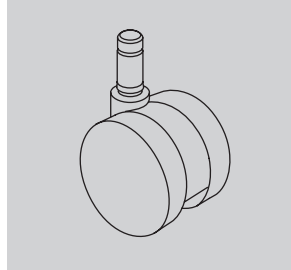
**32 Caster**



1 7/8-inch-diameter hard double-wheel caster; black nylon wheels and yoke; for use on carpet only

Applicable on:  
Sayl® Chairs

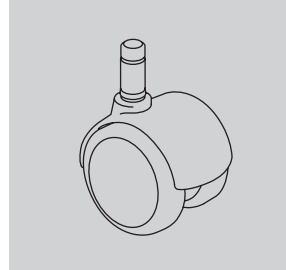
**BB Caster**



2 1/2-inch-diameter hard double-wheel caster; black nylon wheels and yoke; for use on carpet only

Applicable on:  
Asari Chair by Herman Miller™  
New Aeron® Chairs  
Caper® Chairs  
Embody® Chairs  
Fuld Nesting Chairs  
Lino™ Chairs  
Sayl Chairs  
Mirra® 2 Chairs, Verus™ Chairs

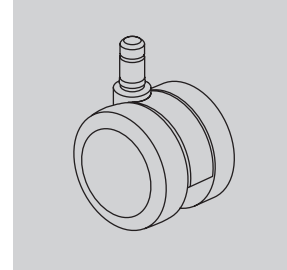
**BSC Caster**



2-inch-diameter double-wheel caster; black nylon wheels and hood; soft polyurethane tread; for use on hard floors or carpet

Applicable on:  
Eames® Aluminum Group  
Eames Executive Chairs  
Eames Soft Pad Group  
Eames Task Chairs

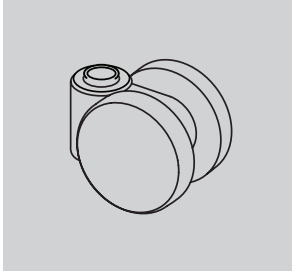
**C9 Caster**



2 1/2-inch-diameter double-wheel caster; black nylon wheels and yoke; soft polyurethane tread; internal brake; for use on hard floors or carpet

Applicable on:  
Caper Chairs  
Embody Chairs  
Lino Chairs  
Mirra 2 Chairs  
Sayl Chairs  
Setu® Chairs  
Verus Chairs

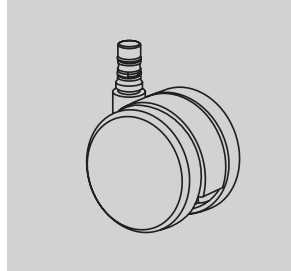
**49 Caster**



1 7/8-inch-diameter soft double-wheel caster; black nylon wheels and yoke; for use on hard floors or carpet

Applicable on:  
Sayl Chairs

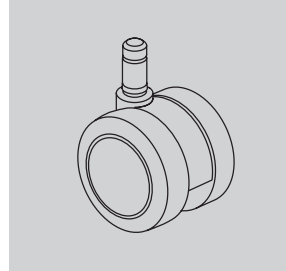
**BKS Caster**



2 1/2-inch-diameter hard double-wheel caster; black yoke; quiet roll technology; for use on carpet only

Applicable on:  
Cosm™ Chairs

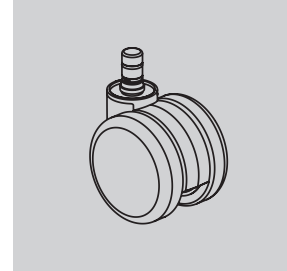
**C7 Caster**



2 1/2-inch-diameter double-wheel caster; black nylon wheels and yoke; soft polyurethane tread; for use on hard floors or carpet

Applicable on:  
Asari Chair by Herman Miller™  
New Aeron Chairs  
Caper Chairs  
Embody Chairs  
Fuld Nesting Chairs  
Lino Chairs                      Sayl Chairs  
Mirra 2 Chairs                  Verus Chairs

**CSQ Caster**



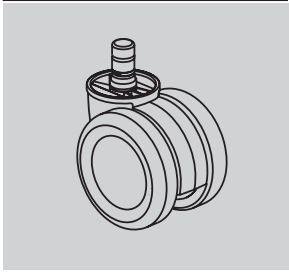
2 1/2-inch-diameter double-wheel caster; color-matched nylon wheels and yoke; soft polyurethane tread; for use on hard floors or carpet

Applicable on:  
Zeph® Chairs

# Casters and Glides

continued

**DC1 Caster**

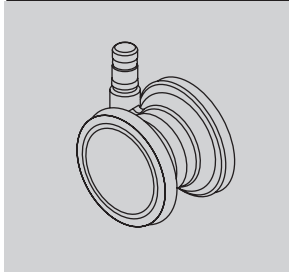


2 1/2-inch-diameter double-wheel braking caster; black nylon wheels and yoke; for use on hard floors or carpet; quiet roll technology

Applicable on:

New Aeron Chairs

**H9 Caster**

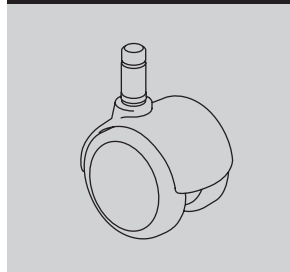


2 1/2-inch-diameter double-wheel caster; clear polycarbonate wheels; nylon yoke; soft polyurethane tread; for use on carpet only

Applicable on:

Embody Chairs

**MD Caster**

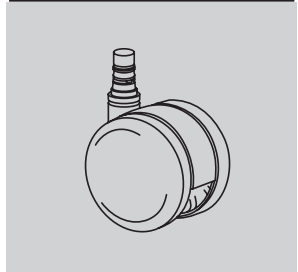


2-inch-diameter double-wheel caster; black nylon wheels with integral chrome hood; soft polyurethane tread; for use on hard floors or carpet

Applicable on:

Eames® Aluminum Group  
Eames Executive Chairs  
Eames Soft Pad Group  
Eames Task Chairs

**OC Caster**

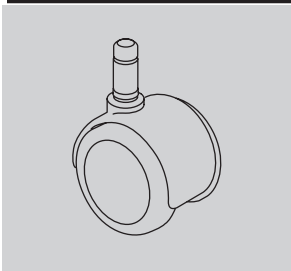


2 1/2-inch-diameter double-wheel medium roll-resistant caster; black nylon wheels and yoke; soft polyurethane tread; for use on hard floors or carpet; quiet roll technology

Applicable on:

Cosm Chairs  
Fuld Nesting Chairs  
Setu Chairs

**DS Caster**

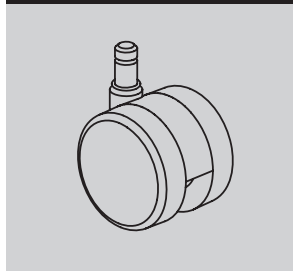


2-inch-diameter soft double-wheel braking caster; black nylon wheels and hood; for use on hard floors only

Applicable on:

Aside® Chairs  
Caper Chairs

**HCC Caster**

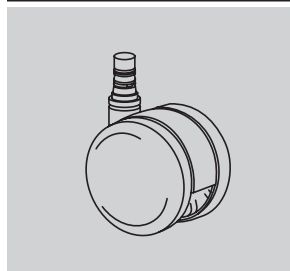


2 1/2-inch-diameter double-wheel low roll resistance caster; black nylon yoke; for use on hard floors or carpet

Applicable on:

Setu Chairs

**O2 Caster**

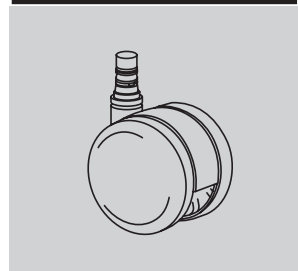


2 1/2-inch-diameter double-wheel caster; nylon wheels and yoke; soft polyurethane tread; quiet roll technology; for use on floors or carpet

Applicable on:

Cosm Chairs

**SC8 Caster**



2 1/2-inch-diameter double-wheel caster; black nylon wheels and yoke; soft polyurethane tread; quiet roll technology; for use on hard floors or carpet

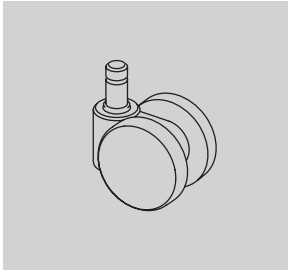
Applicable on:

Cosm Chairs  
Fuld Nesting Chairs  
Lino Chairs  
Mirra 2 Chairs  
Verus Chairs

# Casters and Glides

continued

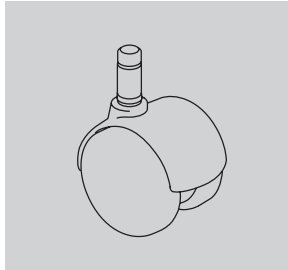
**U4 Caster**



1<sup>7</sup>/<sub>8</sub>-inch-diameter hard double-wheel caster; black nylon wheels and yoke; for use on carpet only

Applicable on:  
Aside Chairs  
Verus Chairs

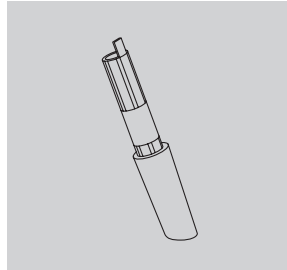
**UD Caster**



2-inch-diameter hard double-wheel caster; black nylon wheels with painted hood; for use on carpet only

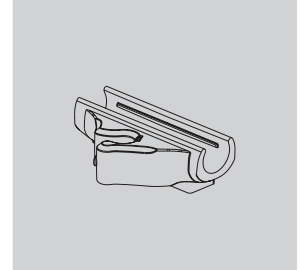
Applicable on:  
Eames® Aluminum Group  
Eames Executive Chairs  
Eames Soft Pad Group  
Eames Task Chairs

**16 Glide**



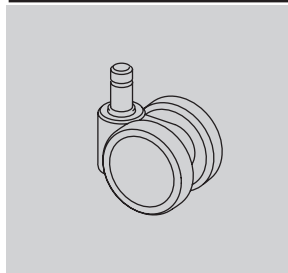
(Front glide shown)  
2<sup>1</sup>/<sub>8</sub>-inch-high glide; black or fog acetal; for use on carpet only  
Applicable on:  
Sayl Chairs

**FGG Glide**



1/2-inch-high ganging glide; black ABS plastic with black felt bottom; for use on resilient flooring  
Applicable on:  
Pronta Stacking Chairs

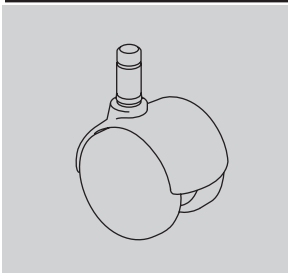
**U5 Caster**



1<sup>7</sup>/<sub>8</sub>-inch-diameter soft double-wheel caster; black nylon wheels and yoke; for use on hard floors or carpet

Applicable on:  
Aside Chairs  
Caper Chairs  
Verus Chairs

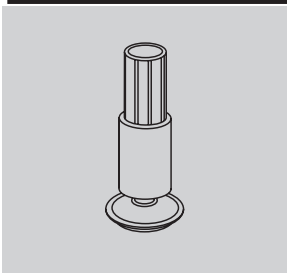
**VD Caster**



2-inch-diameter hard double-wheel caster; black nylon wheels with integral chrome hood; for use on carpet only

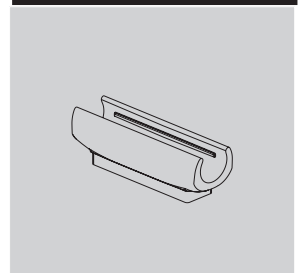
Applicable on:  
Eames Aluminum Group  
Eames Executive Chairs  
Eames Soft Pad Group  
Eames Task Chairs

**69 Glide**



(Front glide shown)  
2<sup>1</sup>/<sub>8</sub>-inch-high glide; black glass-filled nylon stem; steel-plated swivel foot with Floor Saver Glide™ insert; for use on hard floors only  
Applicable on:  
Sayl Chairs

**FTG Glide**

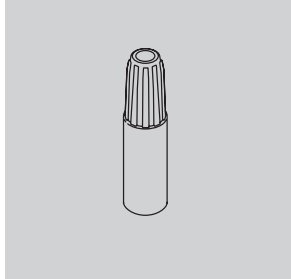


1/2-inch-high glide; black ABS plastic with black felt bottom; for use on resilient flooring  
Applicable on:  
Pronta Stacking Chairs

# Casters and Glides

continued

**G4 Glide**

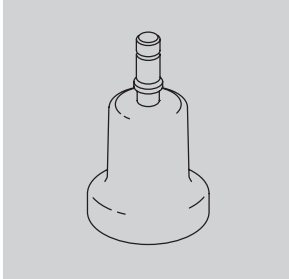


1<sup>7</sup>/<sub>8</sub>-inch-high glide; black acetal; for use on carpet only

Applicable on:

Verus Chairs

**GF Glide**

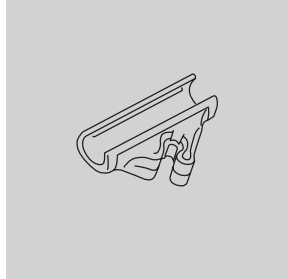


2<sup>1</sup>/<sub>2</sub>-inch-high glide; black nylon; for use on hard floors or carpet

Applicable on:

New Aeron Chairs  
Caper Chairs  
Cosm Chairs  
Lino Chairs  
Mirra 2 Chairs  
Sayl Chairs  
Verus Chairs

**GG Glide**

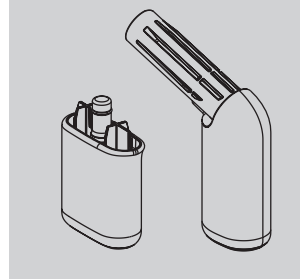


1<sup>1</sup>/<sub>2</sub>-inch-high ganging glide; clear polycarbonate; for use on hard floors or carpet

Applicable on:

Pronta Stacking Chairs

**GLN Glide**

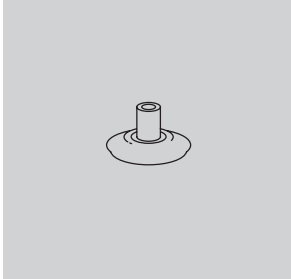


Acetal glide; for use on carpet only

Applicable on:

Fuld Nesting Chairs

**GD Glide**



1<sup>1</sup>/<sub>2</sub>-inch-diameter glide; 1/2 inch in height; black nylon; for use on hard floors or carpet

Applicable on:

Eames Aluminum Group  
Eames Executive Chairs  
Eames Soft Pad Group  
Eames Task Chairs

**GFG Glide**

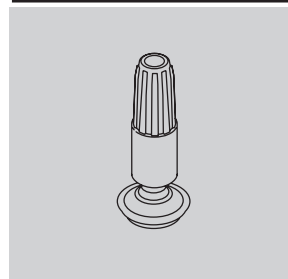


Floor Saver Glide™ insert; for use on hard floors only

Applicable on:

Zeph Chairs

**GL Glide**

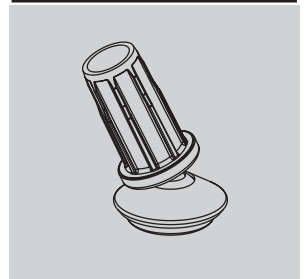


1<sup>7</sup>/<sub>8</sub>-inch-high glide; black nylon stem; steel-plated swivel foot with Floor Saver Glide™ insert; for use on hard floors only

Applicable on:

Verus chairs

**GNB Glide**



Swivel glide; nylon base; for use on carpet only

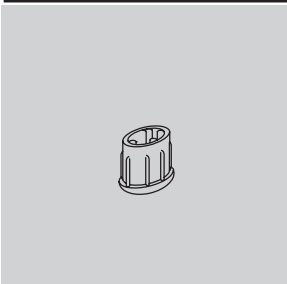
Applicable on:

Zeph Chairs

# Casters and Glides

continued

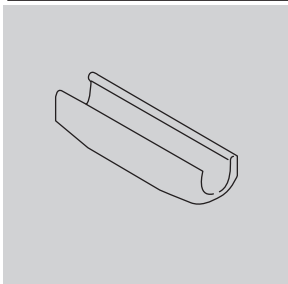
**HG Glide**



1/2-inch-high glide; black nylon glide with stainless-steel insert; for use on hard floors or carpet

Applicable on:  
Aside Chairs

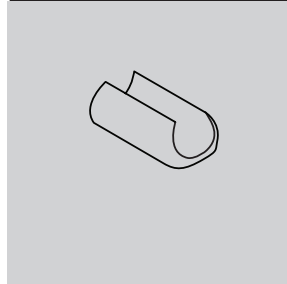
**SG Glide (for Pronta)**



1/2-inch-high glide; clear polycarbonate; for use on hard floors or carpet

Applicable on:  
Pronta Stacking Chairs

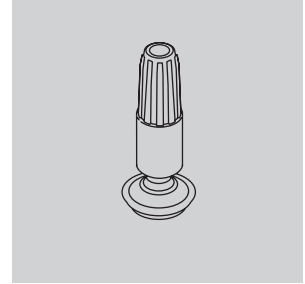
**XS Glide**



1/8-inch-high glide; polycarbonate in black, fog, clear, and studio white finishes; for use on hard floors or carpet

Applicable on:  
Sayl Chairs

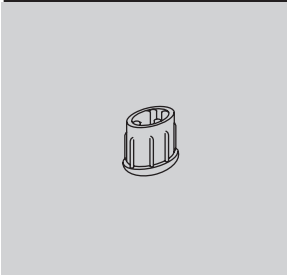
**YX Glide**



1 7/8-inch-high glide; black nylon stem; steel-plated swivel foot with Floor Saver Glide™ insert; for use on hard floors only

Applicable on:  
Caper Chairs

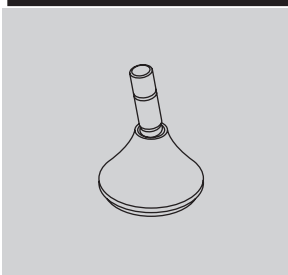
**SG Glide (for Aside)**



1/2-inch-high glide; black nylon; for use on carpet only

Applicable on:  
Aside Chairs

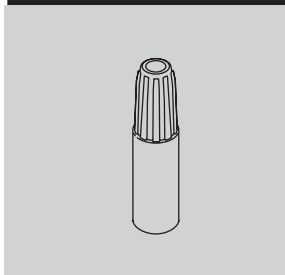
**X8 Glide**



Glide; low profile; for use on hard floors or carpet

Applicable on:  
Setu Chairs

**Y7 Glide**



1 7/8-inch-high glide; black acetal; for use on carpet only

Applicable on:  
Caper Chairs

For more information about our products and services or to see a list of dealers, please visit us at [HermanMiller.com](http://HermanMiller.com) or call (800) 851 1196.

© 2026 Herman Miller, Inc., Zeeland, Michigan

#### Distribution Rights

Working together since 1956, Herman Miller and Vitra are the authentic sources of designs by Charles and Ray Eames, Alexander Girard, and George Nelson. All the designs shown in this book are protected by law. Herman Miller has obtained all rights to make and sell these designs. Also, Herman Miller holds exclusive worldwide manufacturing and distribution rights for these products with the following exceptions:

Charles and Ray Eames, George Nelson, and Alexander Girard—Worldwide distribution rights for furniture in all areas except Europe and the Middle East. For those areas, please contact Vitra.

Isamu Noguchi—Worldwide distribution rights for the Noguchi Rudder Table. Distribution rights for the Noguchi Table in North America and Central America only. For all other areas, please contact Vitra.

Magis—Exclusive distribution rights in the US and Canada. For all other areas, please contact Magis.

© **HermanMiller**, ●, 3D Intelligent, 8Z Pellicle, AO, Action Office, Aeron, Aside, Bubble Lamps, Canvas Office Landscape, Caper, Celle, Cosm, Co/Struc, Daisyone, Distil, Eames, Eco-Dematerialized, Embody, Envelop, Ethospace, Exclave, Fine-Tune, FlexFront, Flo, Formcoat, Formwork, Ground Cloth, Intent, Kinemat, Layout Studio, Lino, Live Unframed, Living Office, Maharam, Meridian, Mirra, Motia, Nelson, Pari, Pellicle, Perspectives, Plex, PostureFit, PostureFit SL, Public Office Landscape, Sayl, Setu, Striad, Tu, Ubi, Verus, Wishbone, Y-Tower and Zeph are among the registered trademarks of Herman Miller, Inc., and its owned subsidiaries.

™ About Face, AireWeave, Airia, Ambit, Asari Chair by HermanMiller, Backfit, Bubbletack, Burdick Group, Butterfly Back, Canvas Vista, Cellular Suspension, Commend, Compass, Connect, DOT, Duracare, Durawrap, EnhancedAccess, Everywhere, Flex-Edge, Flute, Harmonic, Headway, Herman Miller Select, Hopsak 2, Iota, Keyless Entry, Latitude, Logic Mini, Logic Power Access Solutions, Lyris, Lyris 2, Made-to-Measure Storage, Mora, Multiscrim, Nevi, OE1, OE1 Workspace Collection, Overlay, Pixelated Support, Pronta, Renew, Sense, Soft Pad, Stackable, Stackable Storage, Swoop, Thrive, Tone, TriFlex, Twist and Wireframe are among the trademarks of Herman Miller, Inc., and its owned subsidiaries.

SM Herman Miller Options is among the service marks of Herman Miller, Inc.

AAP™ is a trademark of Extron Electronics.

Alexander Girard® is a registered trademark of The Alexander Girard Estate.

Chemsurf® is a registered trademark of Wilsonart International.

Corian® is a registered trademark of E. I. du Pont de Nemours and Company Corporation.

Crypton® is a registered trademark of Crypton, Inc.

DACRON® is a registered trademark of INVISTA S.a r.l.

Danzer® is a registered trademark of Danzer Holding AG.

Decora® is a registered trademark of Leviton Manufacturing Co., Inc.

Edelman® Leather is a registered trademark of Edelman Leather, Inc.

Extron® is a registered trademark of RGB Systems, Inc.

FENIX NTM® is a registered trademark of Arpa Industriale S.p.A.

FLEXNET™ is a trademark of Milliken & Company.

Floor Saver Glide® is a registered trademark of Carpin Manufacturing, Inc.

Forest Stewardship Council® is a registered trademark of the Forest Stewardship Council A.C. (FSC). We are FSC® certified (FSC® C102895).

FSC® is a registered trademark of the Forest Stewardship Council A.C. (FSC).

Geiger® is a registered trademark, and Bumper™, Saiba™, and Ward Bennett™ are trademarks, of Geiger International.

Hang-It-All® is a registered trademark of Lucia Eames Demetrios, d.b.a. Eames Office.

Holophane® is a registered trademark of Holophane.

Ingeo™ is a trademark of Cargill Dow LLC.

iPad® and Mac mini® are registered trademarks of Apple Inc.

Leviton® is a registered trademark of Leviton Manufacturing Co., Inc.

LifeSize® is a registered trademark of LifeSize Communications, Inc.

Lisocore® is a registered trademark of Pyrus Panels GmbH.

Logitech G® is a registered trademark of Logitech International S.A.

Magis®, Bombo®, and Me Too® are registered trademarks of Magis S.p.A.

MicrobeCare™ is a trademark of Parasol Medical LLC.

Microsoft® and Natural® Keyboard are registered trademarks of Microsoft Corporation.

Noguchi® and the Noguchi table configuration (trade dress) are registered trademarks, and Rudder Table™ is a trademark, of The Isamu Noguchi Foundation and Garden Museum.

Place Textiles® is a registered trademark of Place Textiles.

Sunbrella® is a registered trademark of Glen Raven, Inc.

SuperSeat™ is a trademark of Dahti Seating, a division of ITW.