



# Easy Spring Ultra Skyline

**INSTALLATION MANUAL**



# CONTENTS

<b>SECTION A   TOOLS AND ADDITIONAL ITEMS REQUIRED</b>	<b>3</b>
PART A - TOOLS REQUIRED .....	3
PART B - SHADE ITEMS REQUIRED .....	3
<b>SECTION B   INSTALLATION</b>	<b>4</b>
PART A - PREPARING INSTALLATION SPACE .....	4
PART B - MOUNTING BRACKET AND SHADE INSTALLATION .....	4
PART C - PRETENSION CHECKS .....	7
PART D - SET LIMITS .....	9
<b>SECTION C   TROUBLESHOOTING</b>	<b>11</b>

## DISCLAIMER

### INTRODUCTION

This manual for Easy Spring Ultra Skyline has been produced by Rollease Acmeda to supply the necessary information regarding Easy Spring Ultra Skyline.

### DISCLAIMER

Rollease Acmeda has used reasonable care in preparing the information included in this document, but makes no representations or warranties as to the completeness or accuracy of the information. Information is supplied upon the condition that the persons receiving the information will make their own determination as to its suitability for their purposes prior to use. Rollease Acmeda assumes no liability whatsoever for any damages incurred by you resulting from errors in or omissions from the information included herein. Rollease Acmeda reserves the right to make changes without further notice to any products to improve reliability, function or design.

### COPYRIGHT

COPYRIGHT © ROLLEASE ACMEDA

All rights are reserved. No part of this document may be reproduced or utilised in any means, by any means, electronic or mechanical including photocopying, recordings, or by any information storage or retrieval system, without the express permission from Rollease Acmeda.



**PART A - TOOLS REQUIRED**

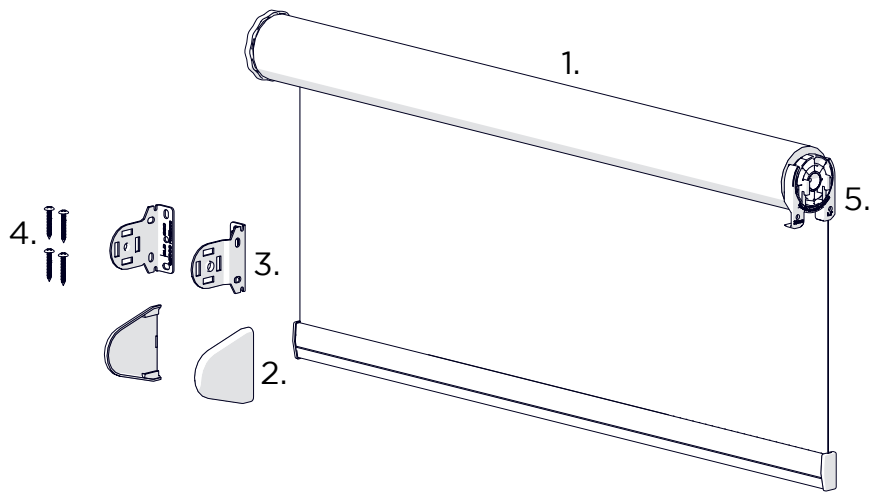
- Drill
- Drill Bits
- Measuring Tape
- Pencil
- Screw Driver - Flat Head

**PART B - SHADE ITEMS REQUIRED**

Check you have all items required to complete installation;

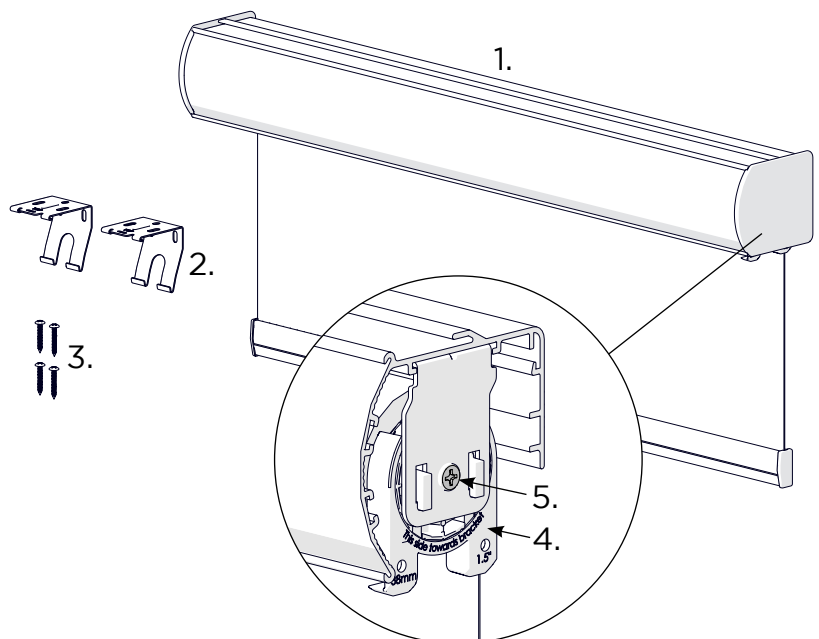
**OPEN SYSTEM**

1. Shade Assembly
2. 2 x Bracket Covers
3. 2 Mounting Brackets
4. Appropriate Fasteners
5. ESU Pre-Tension Retaining Clip 38mm (1.5")\*



**CASSETTE SYSTEM**

1. Shade Assembly
2. Mounting Bracket (as required)
3. Appropriate Fasteners (as required)
4. ESU Pre-Tension Retaining Clip 38mm (1.5")\*
5. #8 x 3/4" Self Tapping Counter Sunk Screw\*\*

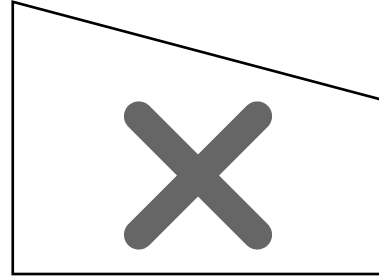
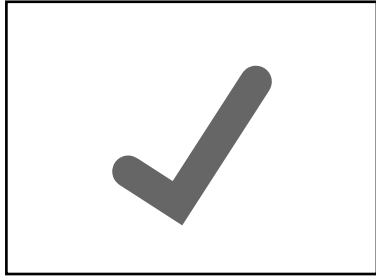


\* The clip must be removed before the shade is operated

\*\*The screw is used to secure the head to the bracket during transportation of Cassette, Pelmet, and Mounting Rails. (screw should be removed before installing the shade)

## PART A - PREPARING INSTALLATION SPACE

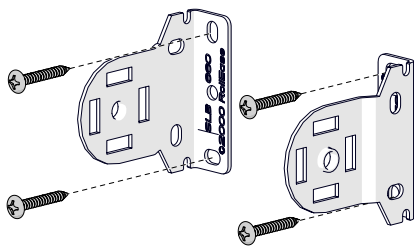
STEP 1 ENSURE TOP OF INSTALLATION SPACE IS LEVEL



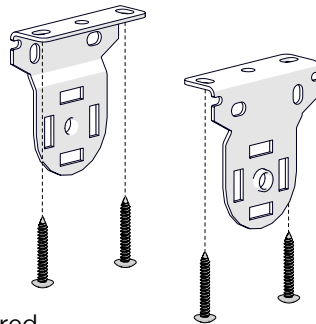
## PART B - MOUNTING BRACKET AND SHADE INSTALLATION

STEP 1 INSTALL BRACKETS TO WALL / CEILING USING APPROPRIATE FASTENERS TO SUIT APPLICATION

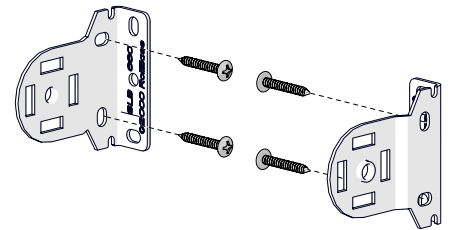
FACE FIX



TOP FIX



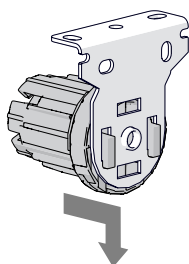
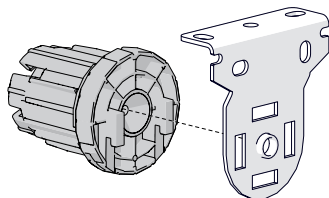
INSIDE FIX



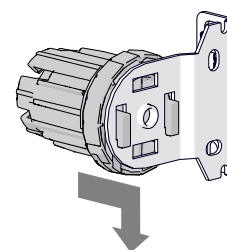
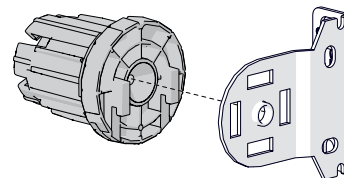
NOTE: Install additional Link bracket if required

### SHADE INSTALLATION ORIENTATION

TOP FIX



FACE FIX

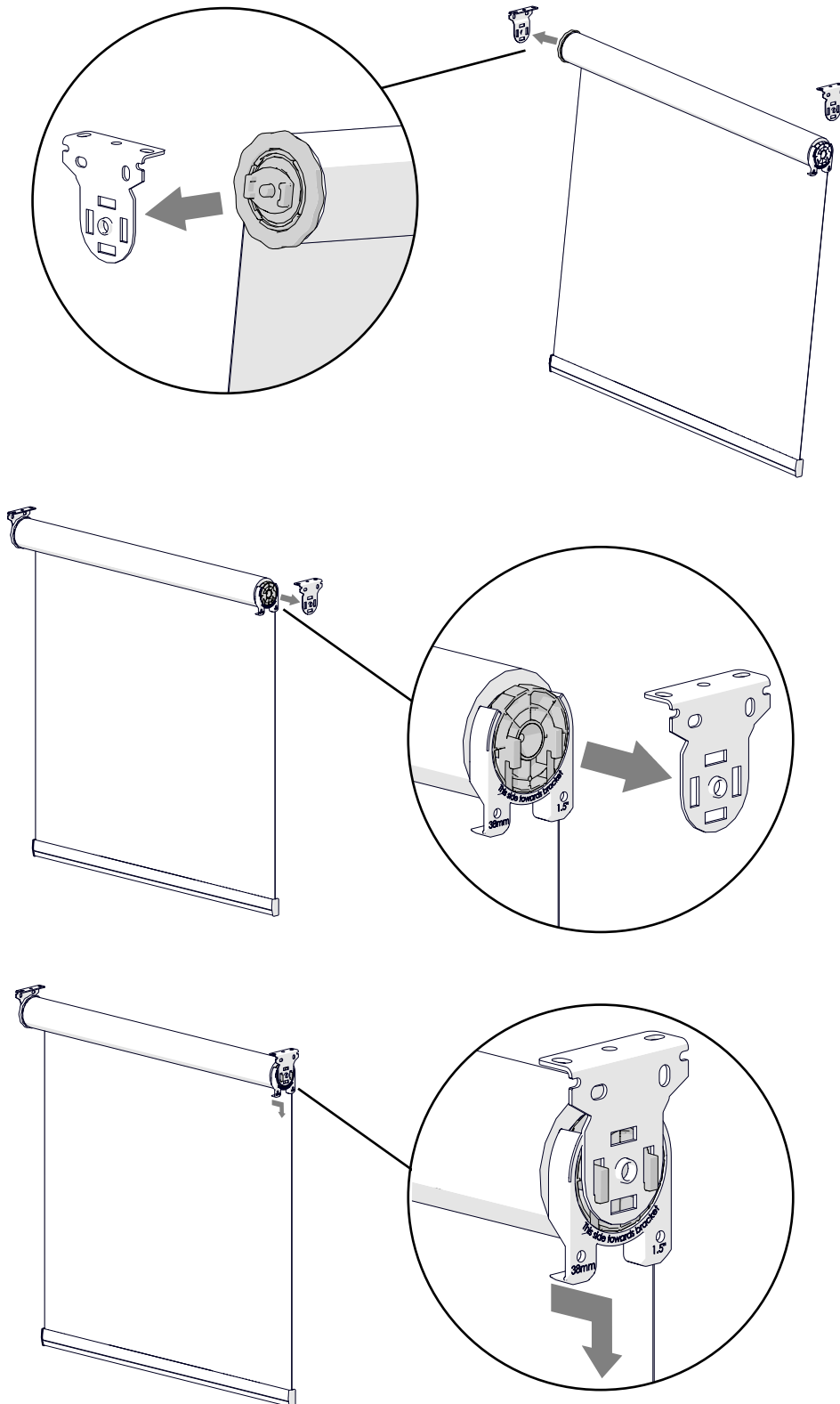


STEP 2 INSTALL SHADE ONTO MOUNTING BRACKETS

Note:

Insert limiter end into bracket first.

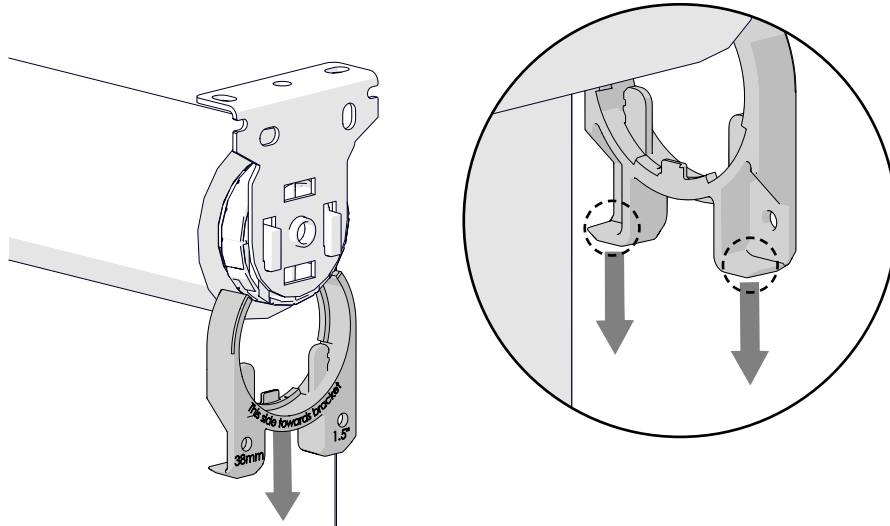
Shade shown with optional pre-tension retaining clip.



STEP 3 - REMOVE PRE-TENSION RETAINING CLIP

Note:

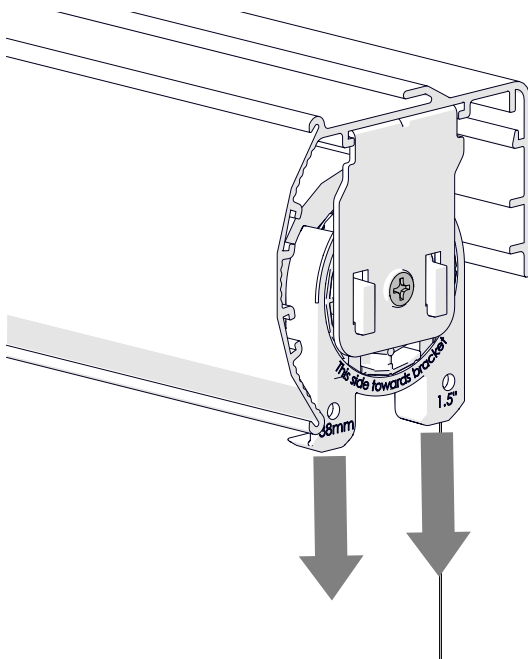
Pre-tension retaining clip is optional.



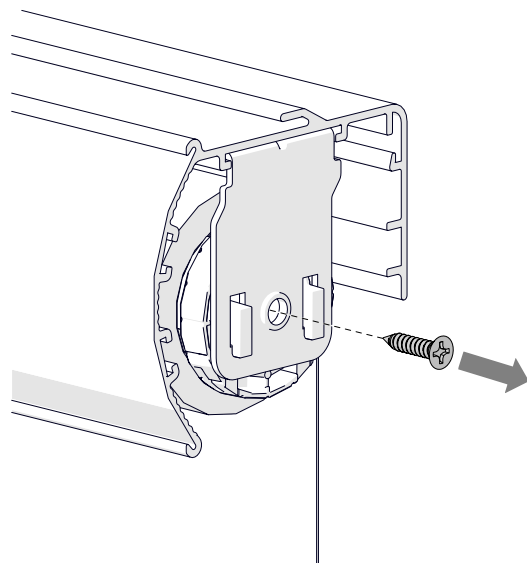
NOTE FOR CASSETTE SYSTEM ONLY:

Before installation, the clip and screw must be removed

REMOVE CLIP



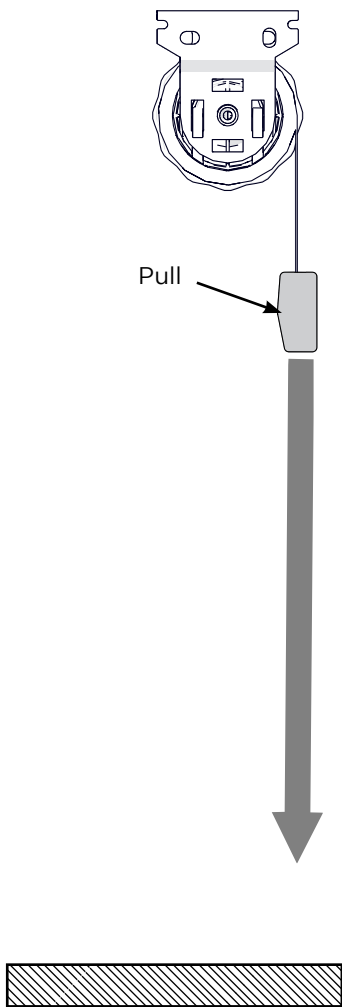
REMOVE SCREW



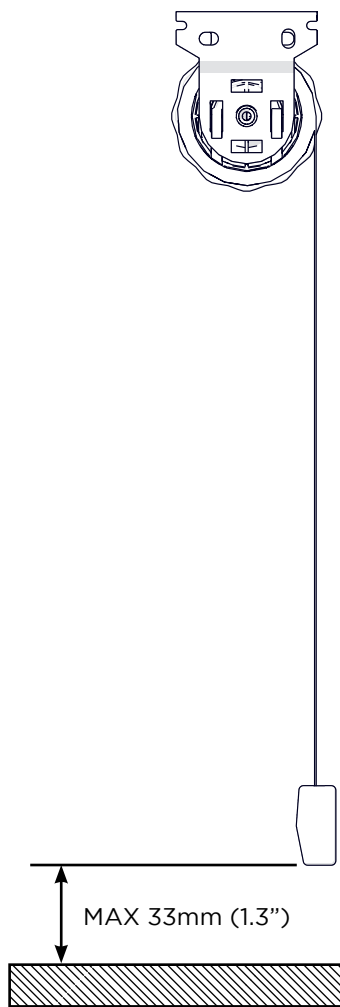
**PART C - PRE-TENSION CHECKS**

**STEP 1 - CHECK FUNCTIONALITY OF PRE-TENSIONED SHADE**

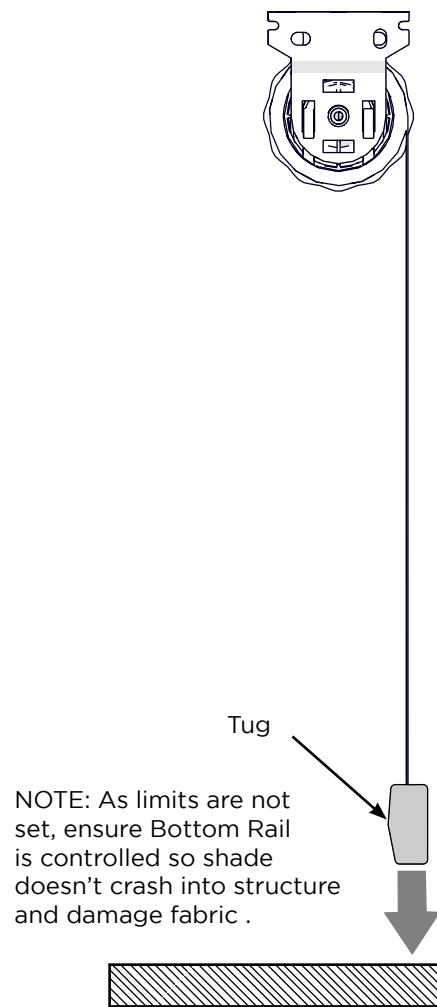
i) PULL Bottom Rail down to bottom location



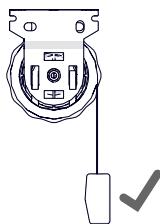
ii) Shade will raise within range indicated below to be locked and provide a 'Release Allowance' (for raising the shade)



iii) TUG Bottom Rail  
(Shade will automatically rise)

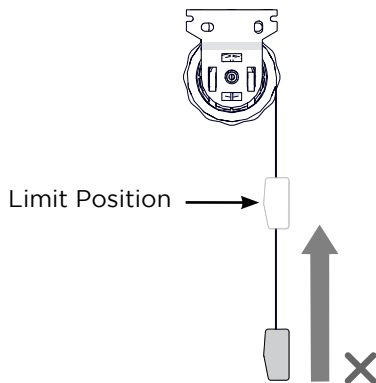


If Bottom Rail raises at the desired speed, the correct number of pre-turns have been assigned.



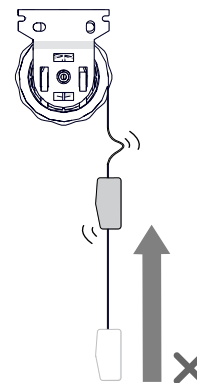
Proceed To Part D

If Shade stops midway or slows significantly, insufficient pre-turns have been applied.



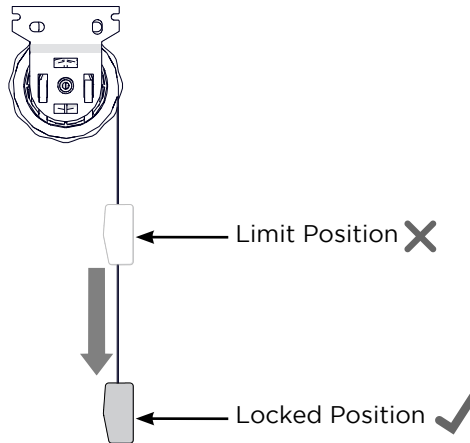
Pre-turns to be added

If Shade operates too fast, too many pre-turns have been applied.



## BEFORE ADDING OR REMOVING PRE-TURNS

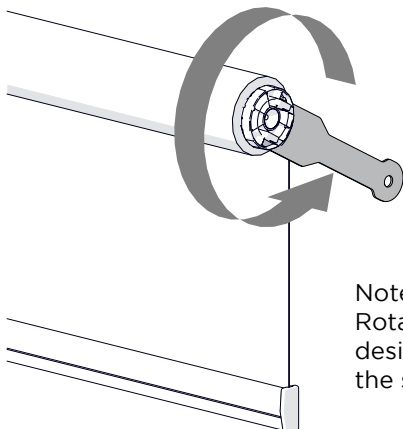
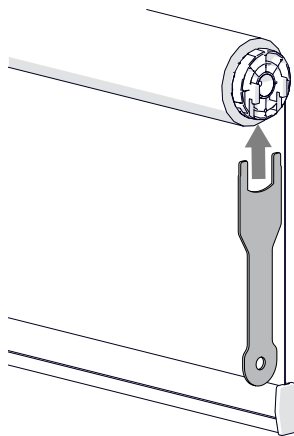
Before removing the shade, ensure the shade is lowered slightly in its locked position. Shade must not be resting on top limit. This is to prevent the spring from losing the pretension when removing the shade from brackets.



## SPRING OPERATION

### Adding Pre-Turns

Use a Wrench for pre-tensioning

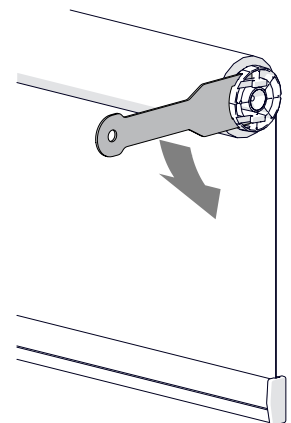


Note:  
Rotate 90° passed  
desired tension to **lock**  
the spring

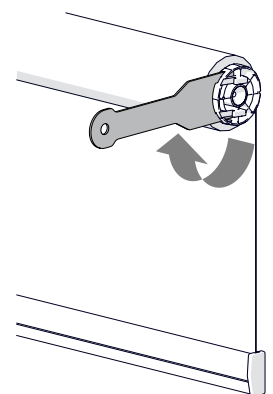
(Right Hand - back roll - control shown as example)

### Removing Pre-Turns

Note:  
Rotate 45° passed  
desired tension to **unlock**  
the spring



Gently release spring  
head whilst holding the  
shade firmly as the spring  
tension unwraps itself  
(Spring head will spin in  
the opposite direction of  
pre-tensioning)



To lock the pretension, rotate in the pre-tension  
direction slightly and then allow the head to un-  
tension slightly and lock

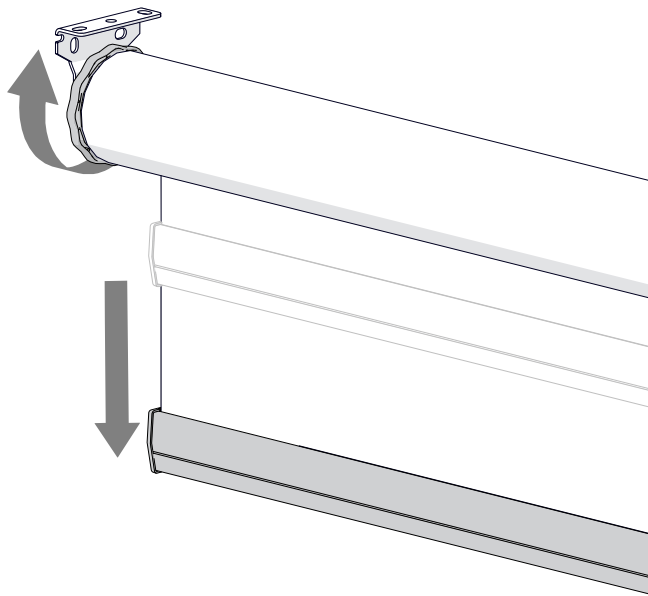


## PART D - SET LIMITS

### STEP 1 - SET TOP LIMIT

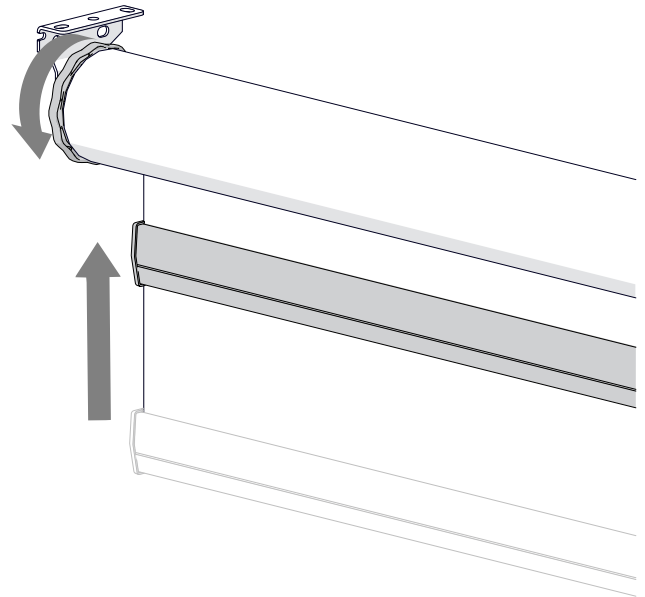
Ensure shade is fully raised

To lower the top limit position rotate limiter head so that the shade moves down.



To raise the top limit position rotate limiter head so that the shade raises.

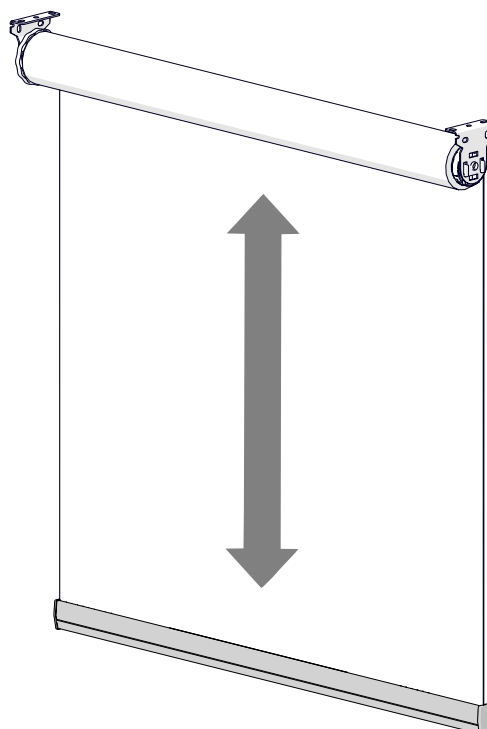
The shade must not be locked by the spring to allow hem bar to move up.



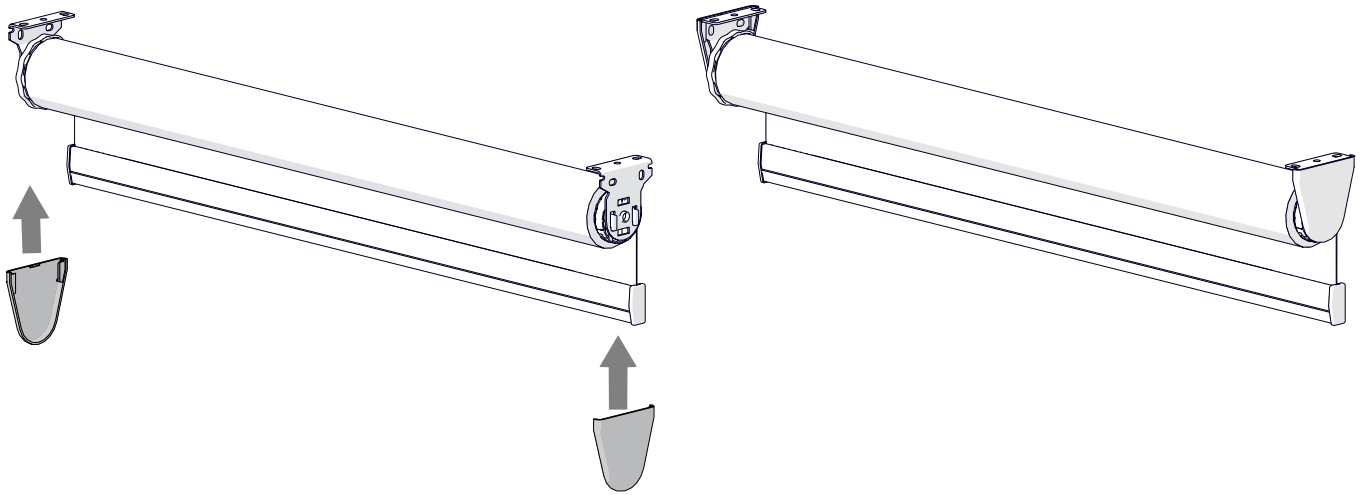
\*Standard back roll shown, reverse for front roll

### STEP 2 - TEST LIMITS & SHADE FUNCTIONALITY

Operate Shade up & down



STEP 3 - SLIDE END CAP COVERS OVER BRACKETS



## SECTION C | TROUBLESHOOTING

NO.	PROBLEM	CAUSE	SOLUTION
1	Cannot find limit	Limit incorrectly Set	<p>a) Allow blind to raise fully</p> <p>b) If the bottom rail is too high, contacting the brackets, then:</p> <p>i. Wind limit adjustment wheel in the direction that would lower the shade *</p> <p>ii. When the shade starts to lower this indicates the limit has been engaged</p> <p>c) Use limit adjustment wheel to raise or lower limit as required</p> <p>* Note : If limit wheel appears to require numerous turns, raise the shade to approximate top limit position, un-install the shade from mounting brackets, remove the limiter from the tube, rotate and move limit nut to appropriate stop position. Reassemble and re-install shade to adjust top limit.</p>
2	Erratic Behaviour Shade falls	Connector on wrong end	Remove and re-install on other end (See Assembly Manual, Section E, Part A)
		No Pre-Turns	Add pretensions (See Section B, Part C)
3	Shade will raise quickly	Wrong Decelerator	Remove and re-install correct Decelerator (See Assembly Manual, Section E, Part B)
		Too many Pre-Turns	Remove Pre-Turns as per Section B, Part C
4	Shade does not raise	Incorrect hand Booster	Remove control and re-orientate the booster (See Assembly Manual, Section E, Part A)
		Control is not fully engaged with Booster	Remove control and check with booster (See Assembly Manual, Section E, Part A)
		No Pre-Turns	Add pretensions (See Section B, Part C)