



Shield Fall Protection
Be Safe, Shield Yourself

RP431 R-ALF™ Rescue Auto Locking Pulley

Data Sheet



www.shieldfallprotection.com

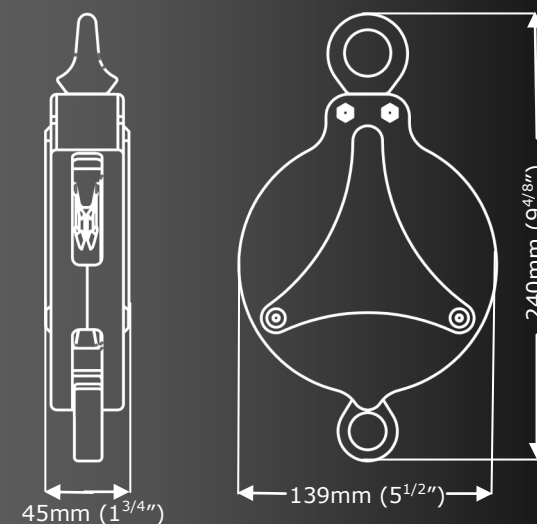
climb. work. rescue.

ISC

SOLUTIONS IN METAL

The R-ALF™ system can be set up with almost any EN1891A 11mm (7/16th) rope– the only practical limitation to 'height of lift' being rope stretch and/or kit weight. The R-ALF™ can be used as part of work suspension system either on tall structures or in confined spaces– a user can easily lift/lower themselves and lock themselves off by using a hand ascender and a short stop.

For Options and Applications for the R-ALF™ please see Page 2.



Weight	1243g (44oz)
Rope Size	Approved 11mm EN1891-A Ropes only
Body Material	Aluminium
Finish	Anodised
WLL	250kg (550lbs)



Shield Fall Protection

Be Safe, Shield Yourself

RP431 R-ALF™ Hauler Kit

Data Sheet

climb. work. rescue.

I|S|C

SOLUTIONS IN METAL



The R-ALF™ can be used/ supplied in a range of configurations, up to a maximum 35m (approx 114ft) height of lift.

The 3:1 R-ALF™ system is a light and compact solution, best suited to shorter pick-off rescues.

The 5:1 R-ALF™ system provides a greater mechanical advantage and therefore is suited to rescue hauling or even self-positioning/ work-suspension use, such as in confined space working or window cleaning.

Whichever combination is used, if the user loses control of the decent the over-speed brake will automatically kick-in.

www.shieldfallprotection.com

Standard Kit Contents

Components

	3 : 1 Kit	5 : 1 Kit
R-ALF Hauler (2 -way Locking)	1	1
Atlas Scaffold Anchor Connector	1	1
Medium Single Prussik (No Becket)	0	0
Medium Single Prussik (Becket)	2	0
Medium Double Prussik (Becket)	0	2
Professional Hand Ascender	1	1
Aluminium Oval Karabiner (Supersafe)	2	2

The above kits are supplied with Rope to allow for 10m / 32ft Height of Lift (other HOL available), Ropebag & Instructions

