

# AMCO AMCRYLIC LAMP



MODEL NO.  
**C - 42W**  
**C - 41W**

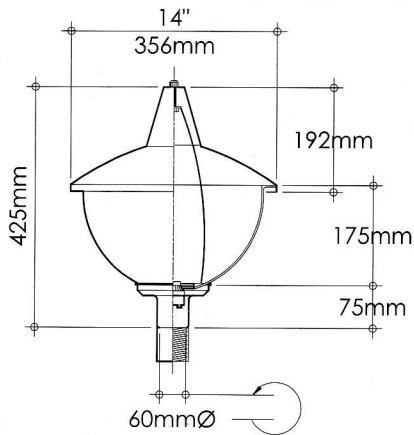


MODEL NO.  
**C - 42B**



MODEL NO.  
**C - 41C**

## DIMENSIONS:

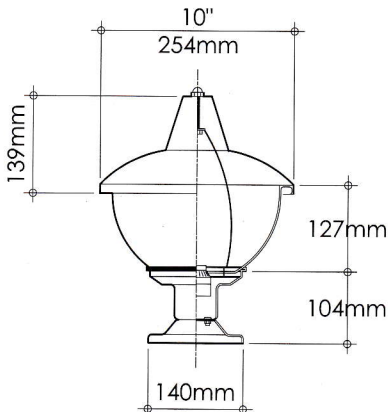


MODEL C - 42

MODEL NO.

**C - 42A**

## DIMENSIONS:



MODEL C - 41

MODEL NO.

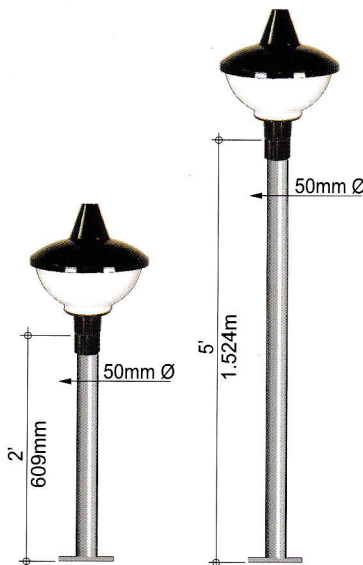
**C - 41B**

**POST:** Zinc Electro-galvanized steel lantern post and pedestal base coated with red oxide and enamel paint finish. Complete with anchor bolts, nuts and washers.

**Available:** In enamel black paint finish, antique powder paint finish and bright aluminum paint finish.

**Wattage:**  
Min : 25W  
Max : 100W

**Wattage:**  
Min : 100W  
Max : 160W

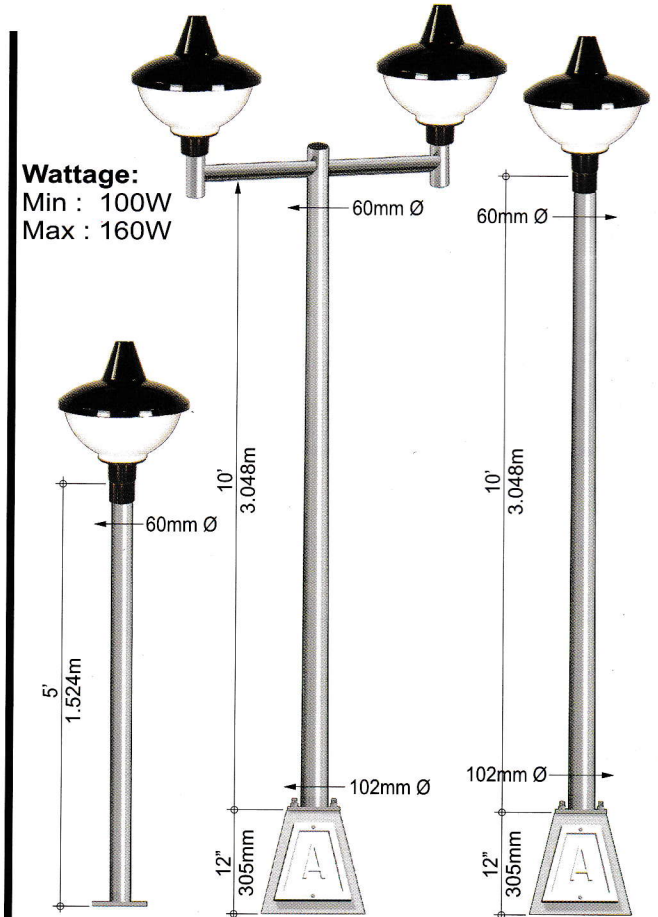


MODEL NO.

**C-41C-SP2**

MODEL NO.

**C-41C-SP5**



MODEL NO.

**C-42AS-SP5**

MODEL NO.

**C-42AD-TP10**

MODEL NO.

**C-42AS-TP10**