

Product information presented here reflects conditions at time of publication. Consult factory regarding discrepancies or inconsistencies.



TECHNICAL DATA SHEET

HIGH HEAD WASTE-MATE SERIES

Models 292/4292, 293/4293, 294/4294, 295/4295

Submersible Sewage Pumps

PRODUCT SPECIFICATIONS

| | | |
|------------------|----------------------|--|
| MOTOR | Horse Power | 1/2 (292/4292), 1 (293/4293), 1-1/2 (294/4294), 2 (295/4295) |
| | Voltage | 115 - 575 |
| | Phase | 1 or 3 Ph |
| | Hertz | 60 Hz |
| | RPM | 3450 |
| | Type | Permanent split capacitor or 3 Ph |
| | Insulation | Class B:292-293 and 4292-4293, Class F:294-295 and 4294-4295 |
| | Amps | 2.4 - 20.5 |
| PUMP | Operation | Automatic or nonautomatic |
| | Auto On/Off Points | 15-3/4" (400 mm) / 5-1/4" (133 mm) |
| | Discharge Size | 2" or 3" NPT female, flanged vertical |
| | Solids Handling | 2" (50 mm) spherical solids |
| | Cord Length | 20' (6 m) standard |
| | Cord Type | 1 Ph-UL listed 3-wire neoprene cord and plug 3 Ph-4-wire with no plug |
| | Max. Head | 75' (22.9 m) |
| | Max. Flow Rate | 214 GPM (810 LPM) |
| | Max. Operating Temp. | 130 °F (54 °C) |
| | Cooling | Oil filled |
| | Motor Protection | Auto reset thermal overload (1 Ph) |
| MATERIALS | Upper Bearing | Ball bearing |
| | Lower Bearing | Ball bearing |
| | Mechanical Seals | Carbon and ceramic |
| | Impeller Type | Non-clogging vortex |
| | Impeller | Cast iron, optional bronze |
| | Hardware | Stainless steel |
| | Motor Shaft | 1117 carbon steel or 416 stainless steel* |
| | Gasket | Neoprene square ring and gasket |

*Single seal models are built with a carbon steel motor shaft, and double seal models are built with a stainless steel motor shaft.

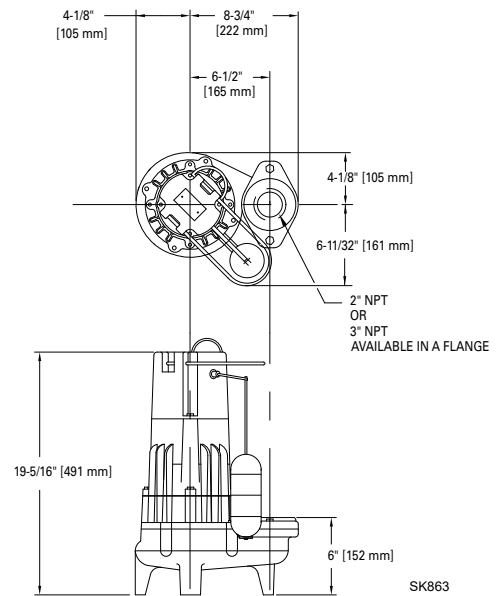
NOTE: The sizing of effluent systems normally requires variable level float(s) controls and properly sized basins to achieve required pumping cycles or dosing timers with nonautomatic pumps.

NOTE: See model comparison chart for specific details.

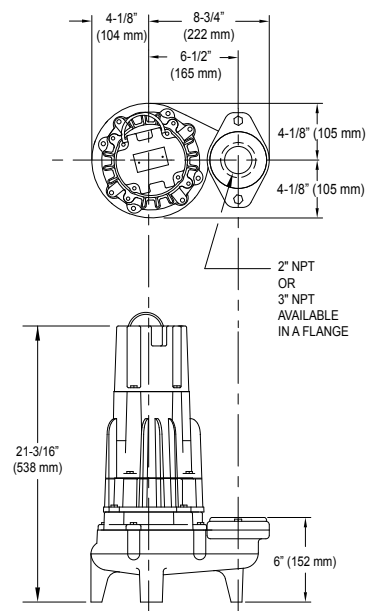
CAUTION Model 293 should not be subjected to less than 15' (5 m) TDH.



SINGLE SEAL



DOUBLE SEAL



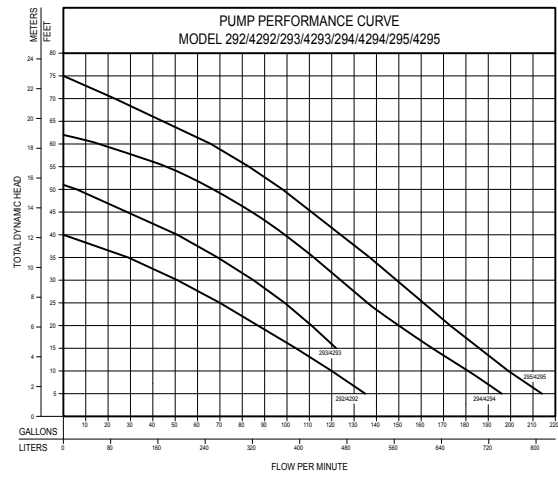
TOTAL DYNAMIC HEAD FLOW PER MINUTE

| MODEL | | 292/4292 | | 293/4293 | | 294/4294 | | 295/4295 | |
|----------------|--------|-----------------|--------|-----------------|--------|-----------------|--------|-----------------|--------|
| Feet | Meters | Gal. | Liters | Gal. | Liters | Gal. | Liters | Gal. | Liters |
| 5 | 1.5 | 135 | 511 | -- | -- | 196 | 742 | 214 | 810 |
| 10 | 3.0 | 120 | 454 | -- | -- | 181 | 685 | 199 | 753 |
| 15 | 4.6 | 104 | 394 | 122 | 462 | 165 | 625 | 186 | 704 |
| 20 | 6.1 | 87 | 329 | 111 | 420 | 150 | 568 | 173 | 655 |
| 25 | 7.6 | 70 | 265 | 99 | 375 | 136 | 515 | 161 | 609 |
| 30 | 9.1 | 51 | 193 | 85 | 322 | 124 | 469 | 149 | 564 |
| 35 | 10.7 | 29 | 110 | 69 | 261 | 112 | 424 | 137 | 519 |
| 40 | 12.2 | -- | -- | 51 | 193 | 99 | 375 | 124 | 469 |
| 50 | 15.2 | -- | -- | 6 | 23 | 67 | 254 | 98 | 371 |
| 55 | 16.8 | -- | -- | -- | -- | 46 | 174 | 83 | 314 |
| 60 | 18.3 | -- | -- | -- | -- | 16 | 61 | 66 | 250 |
| 70 | 21.3 | -- | -- | -- | -- | -- | -- | 23 | 87 |
| Shut-off Head: | | 40 ft. (12.2 m) | | 51 ft. (15.5 m) | | 62 ft. (18.9 m) | | 75 ft. (22.9 m) | |

009919



Model 293 should not be subjected to less than 15' (5 m) TDH.



| Model | MODEL COMPARISON | | | | | | | | | | | CERTIFICATIONS |
|----------------|------------------|------|-------|----|------|-------|----|-------|-------|---------|--------|-----------------------|
| | Seal | Mode | Volts | Ph | Amps | HP | Hz | Lbs | Kg | Simplex | Duplex | |
| M292 | Single | Auto | 115 | 1 | 15.0 | 1/2 | 60 | 86 | 39 | 1 | --- | cCSAus ⁽¹⁾ |
| N292/N4292 | Single/Double | Non | 115 | 1 | 15.0 | 1/2 | 60 | 85/93 | 38/42 | 2 or 3 | 2 or 3 | CSA ⁽²⁾ |
| BN292 | Single | Auto | 115 | 1 | 15.0 | 1/2 | 60 | 87 | 39 | --- | --- | CSA ⁽²⁾ |
| D292 | Single | Auto | 230 | 1 | 7.5 | 1/2 | 60 | 88 | 39 | 1 | --- | cCSAus |
| E292 | Single | Non | 230 | 1 | 7.5 | 1/2 | 60 | 88 | 39 | 2 or 3 | 3 | cCSAus |
| * H292 | Single | Auto | 200 | 1 | 8.8 | 1/2 | 60 | 88 | 39 | 1 | --- | cCSAus |
| * I292/I4292 | Single/Double | Non | 200 | 1 | 8.8 | 1/2 | 60 | 88 | 39 | 2 or 3 | 3 | cCSAus |
| * F292/F4292 | Single/Double | Non | 230 | 3 | 5.2 | 1/2 | 60 | 88 | 39 | 3 | 3 | cCSAus |
| * J292/J4292 | Single/Double | Non | 200 | 3 | 6.4 | 1/2 | 60 | 88/95 | 39/43 | 3 | 3 | cCSAus |
| * G292/G4292 | Single/Double | Non | 460 | 3 | 2.9 | 1/2 | 60 | 88/95 | 39/43 | 3 | 3 | cCSAus |
| * BA292/BA4292 | Single/Double | Non | 575 | 3 | 2.4 | 1/2 | 60 | 88/95 | 39/43 | 3 | 3 | cCSAus |
| D293 | Single | Auto | 230 | 1 | 10.2 | 1 | 60 | 86 | 39 | 1 | --- | cCSAus |
| E293/E4293 | Single/Double | Non | 230 | 1 | 10.2 | 1 | 60 | 86/94 | 39/42 | 2 or 3 | 3 | cCSAus |
| * H293 | Single | Auto | 200 | 1 | 12.0 | 1 | 60 | 90 | 40 | 1 | --- | cCSAus |
| * I293/I4293 | Single/Double | Non | 200 | 1 | 12.0 | 1 | 60 | 89/96 | 40/43 | 2 or 3 | 3 | cCSAus |
| * F293/F4293 | Single/Double | Non | 230 | 3 | 7.6 | 1 | 60 | 89/96 | 40/43 | 3 | 3 | cCSAus |
| * J293/J4293 | Single/Double | Non | 200 | 3 | 8.2 | 1 | 60 | 89/96 | 40/43 | 3 | 3 | cCSAus |
| * G293/G4293 | Single/Double | Non | 460 | 3 | 4.0 | 1 | 60 | 89/96 | 40/43 | 3 | 3 | cCSAus |
| * BA293/BA4293 | Single/Double | Non | 575 | 3 | 3.3 | 1 | 60 | 89 | 40 | 3 | 3 | cCSAus |
| BE293 | Single | Auto | 230 | 1 | 10.2 | 1 | 60 | 88 | 40 | --- | --- | cCSAus |
| D294 | Single | Auto | 230 | 1 | 13.7 | 1-1/2 | 60 | 87 | 39 | 1 | --- | cCSAus |
| E294/E4294 | Single/Double | Non | 230 | 1 | 13.7 | 1-1/2 | 60 | 86/94 | 39/42 | 1 | --- | CSA ⁽²⁾ |
| * H294 | Single | Auto | 200 | 1 | 17.8 | 1-1/2 | 60 | 90 | 40 | 1 | --- | cCSAus |
| * I294/I4294 | Single/Double | Non | 200 | 1 | 17.8 | 1-1/2 | 60 | 89/96 | 40/43 | 2 or 3 | 3 | cCSAus |
| * F294/F4294 | Single/Double | Non | 230 | 3 | 9.5 | 1-1/2 | 60 | 89/96 | 40/43 | 3 | 3 | cCSAus |
| * J294/J4294 | Single/Double | Non | 200 | 3 | 10.8 | 1-1/2 | 60 | 89/96 | 40/43 | 3 | 3 | cCSAus |
| * G294/G4294 | Single/Double | Non | 460 | 3 | 4.8 | 1-1/2 | 60 | 89/96 | 40/43 | 3 | 3 | cCSAus |
| * BA294/BA4294 | Single/Double | Non | 575 | 3 | 3.8 | 1-1/2 | 60 | 89 | 40 | 3 | 3 | cCSAus |
| BE294 | Single | Auto | 230 | 1 | 13.7 | 1-1/2 | 60 | 88 | 40 | --- | --- | cCSAus |
| D295 | Single | Auto | 230 | 1 | 17.1 | 2 | 60 | 89 | 40 | 1 | --- | CSA ⁽²⁾ |
| E295/E4295 | Single/Double | Non | 230 | 1 | 17.1 | 2 | 60 | 88/97 | 39/43 | 2 or 3 | 3 | CSA ⁽²⁾ |
| WD295 | Single | Auto | 230 | 1 | 17.1 | 2 | 60 | 88 | 39 | 2 or 3 | 3 | cCSAus |
| * H295 | Single | Auto | 200 | 1 | 20.5 | 2 | 60 | 92 | 41 | 1 | --- | cCSAus |
| * I295/I4295 | Single/Double | Non | 200 | 1 | 20.5 | 2 | 60 | 91/99 | 41/44 | 2 or 3 | 3 | cCSAus |
| * F295/F4295 | Single/Double | Non | 230 | 3 | 12.2 | 2 | 60 | 91/99 | 41/44 | 3 | 3 | cCSAus |
| * J295/J4295 | Single/Double | Non | 200 | 3 | 14.3 | 2 | 60 | 91/99 | 41/44 | 3 | 3 | cCSAus |
| * G295/G4295 | Single/Double | Non | 460 | 3 | 6.1 | 2 | 60 | 91/99 | 41/44 | 3 | 3 | cCSAus |
| * BA295/BA4295 | Single/Double | Non | 575 | 3 | 4.9 | 2 | 60 | 91 | 41 | 3 | 3 | cCSAus |

Additional cord lengths are available in 25' (8 m), 35' (11 m) and 50' (15 m). * no molded plug. (1) cCSAus approval unit available with 20 Amp plug. (2) CSA Approval with 15 Amp plug.

SELECTION GUIDE

1. Integral float operated mechanical switch, no external control required.
2. For automatic use single piggyback variable level float switch or double piggyback variable level float switch. Refer to FM0477.
3. See FM1228 for correct model of simplex control panel or see FM0712 for duplex control panel.

© Copyright 2020 Zoeller® Co. All rights reserved.

502-778-2731 | 800-928-7867 | 3649 Cane Run Road | Louisville, KY 40211-1961 | zoellerpumps.com