

# PALLADIOM

WIRE-FREE SHADING SYSTEM





Introducing Palladiom Wire-Free Shading System, Lutron's premier solution for exquisite homes. This intelligent system delivers the ultimate design freedom — a stunning blend of beauty, flexibility, and performance without sacrifice.



## Inspiring aesthetics

**A flexible solution for design freedom,** Palladiom Wire-Free shades are intended to be installed without a pocket, fascia, or top treatment. With absolutely nothing to hide, beautiful daylight control can be added to any room of the home, at any time.

**Powered by batteries integrated into the shade itself,** this shading solution is ideal for situations where wired power is not an option.

# Infinite possibilities

**A tailored aesthetic** lets you customize the shade to fit your space. Choose from a selection of seven, hand-finished materials all curated to coordinate with Lutron Palladiom keypads and thermostats, and wired Palladiom shades. With hundreds of fabrics in a variety of textures and colorways, the design options are endless.

**Show off expansive views.** Palladiom Wire-Free shades can be used for windows up to 12' wide by 12' tall, and occupy no more than 3.25" of vertical space when the shade is open.

**Every last detail** was carefully considered from the overall design to the shade hembar options. The unique Palladiom Bottom Rail sets a new standard for luxury shading, offering a streamlined aesthetic at the windowsill. Or choose from a variety of fabric-wrapped hembars specifically designed with end caps to match the bracket hardware.



Palladiom Bottom Rail\*



Half-Wrap Architectural Bottom Bar

\*Available in Pure White, Clear Anodized, Black Anodized and Satin Nickel finishes only.

## PALLADIOM SHADING SYSTEM BRACKET FINISHES

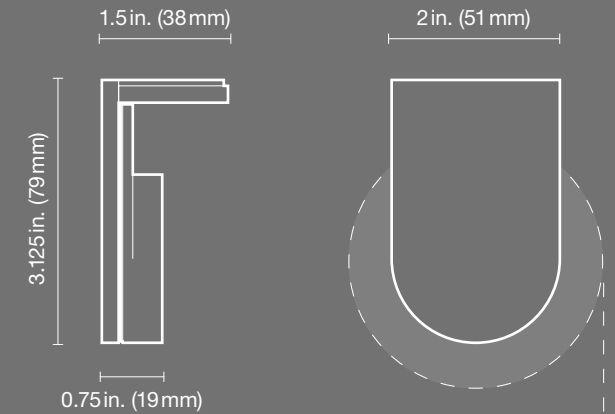
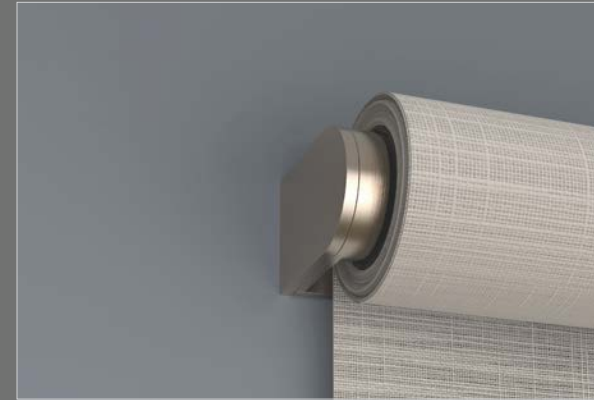


Black Anodized   Pure White   Clear Anodized   Brass   Opal White   Satin Graphite   Satin Nickel

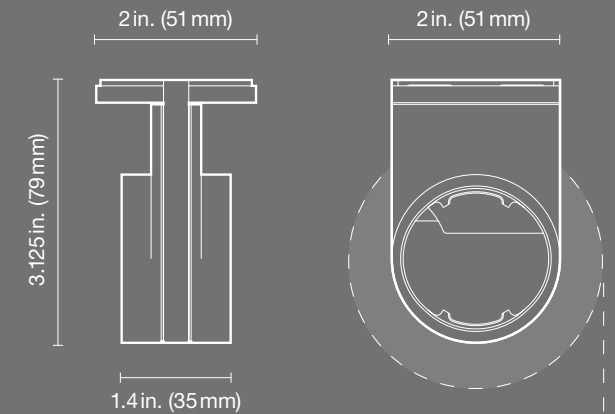
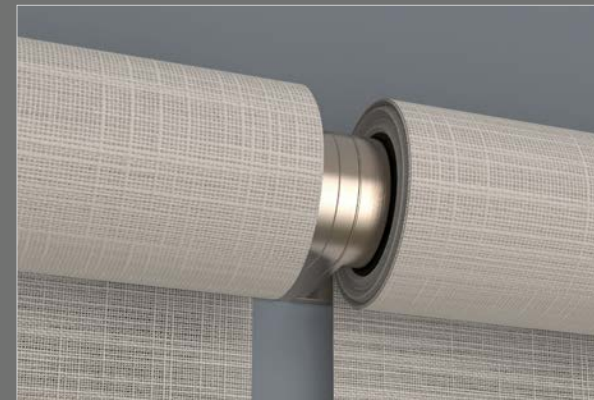
# Any application

**Form factor variety** includes end, center, or jamb offering designers built-in versatility, and allowing you to configure the shade for any window.

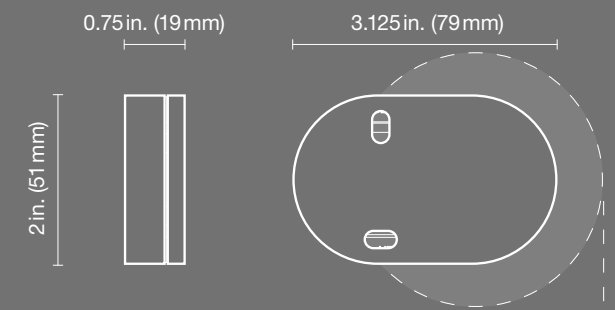
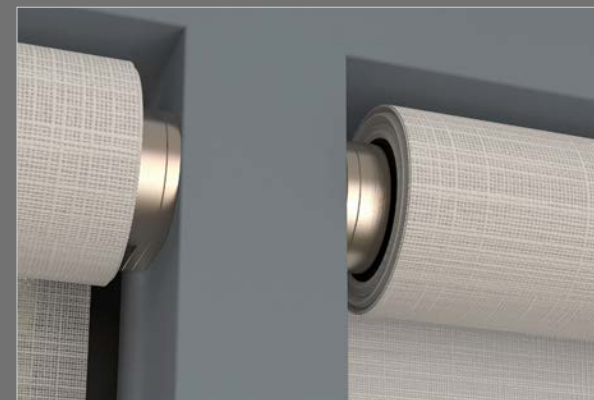
## END BRACKET

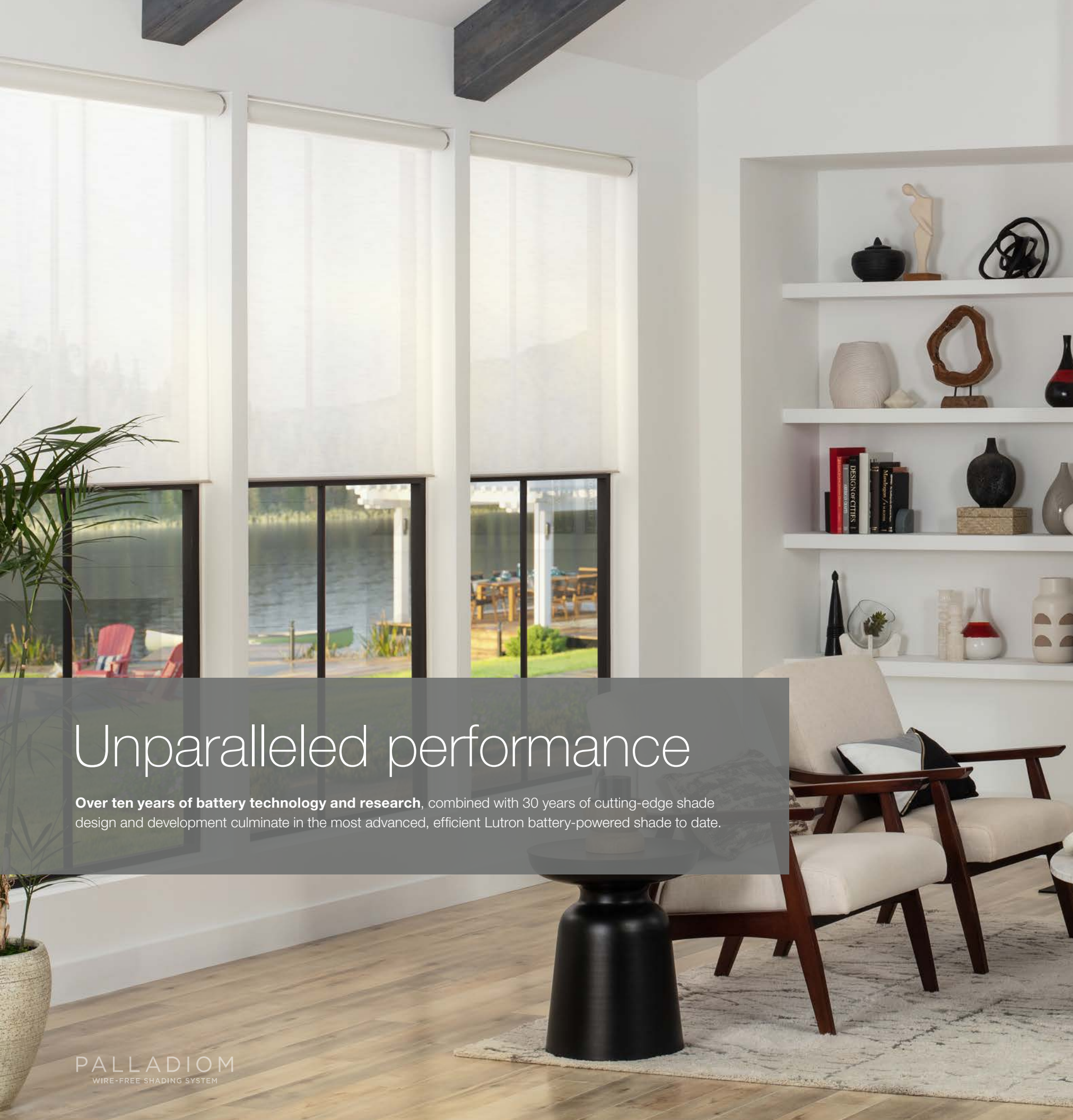


## CENTER BRACKET



## JAMB BRACKET





# Unparalleled performance

Over ten years of battery technology and research, combined with 30 years of cutting-edge shade design and development culminate in the most advanced, efficient Lutron battery-powered shade to date.

PALLADIOM  
WIRE-FREE SHADING SYSTEM

**Active Energy Optimization**, a breakthrough battery-management architecture, was designed to enhance the delicate balance of energy density and power density in traditional alkaline batteries. Using no more than six, off-the-shelf D-cell batteries, these shades achieve the 3-5 year battery life you've come to expect from Lutron.

**Designed with simplicity in mind**, the Palladiom Wire-Free Shading System boasts a patent-pending bracket mechanism. The replaceable batteries can be easily accessed when needed without taking the shade down, but are otherwise completely hidden from view, housed within the shade drive.





# Astonishingly simple

**Supported by a world-class system**, the Palladiom Wire-Free Shading System integrates seamlessly with the Lutron HomeWorks lighting control system, allowing you to harmoniously combine lighting, shading, and temperature controls.

**With the convenient Lutron App**, users can set schedules or individually control their shades from anywhere in the world, at any time. This intelligent system lets users know when batteries are low, and provides visual assistance with the battery-change process.

**A variety of control options** makes shade control easy and intuitive. Choose from beautiful wall-mounted keypads offered in finishes that complement Palladiom shade hardware, remote controls, or even common voice-control platforms.





**[lutron.com/palladiom-wirefree](https://lutron.com/palladiom-wirefree)**

World Headquarters 1.610.282.3800

Technical Support Center 1.800.523.9466 (Available 24/7)

Customer Service 1.888.588.7661

© 06/2022 Lutron Electronics Co., Inc. | P/N 368-6194 REV A

Lutron, the Lutron logo, HomeWorks, and Palladiom are trademarks or registered trademarks of Lutron Electronics Co., Inc., in the U.S. and/or other countries.