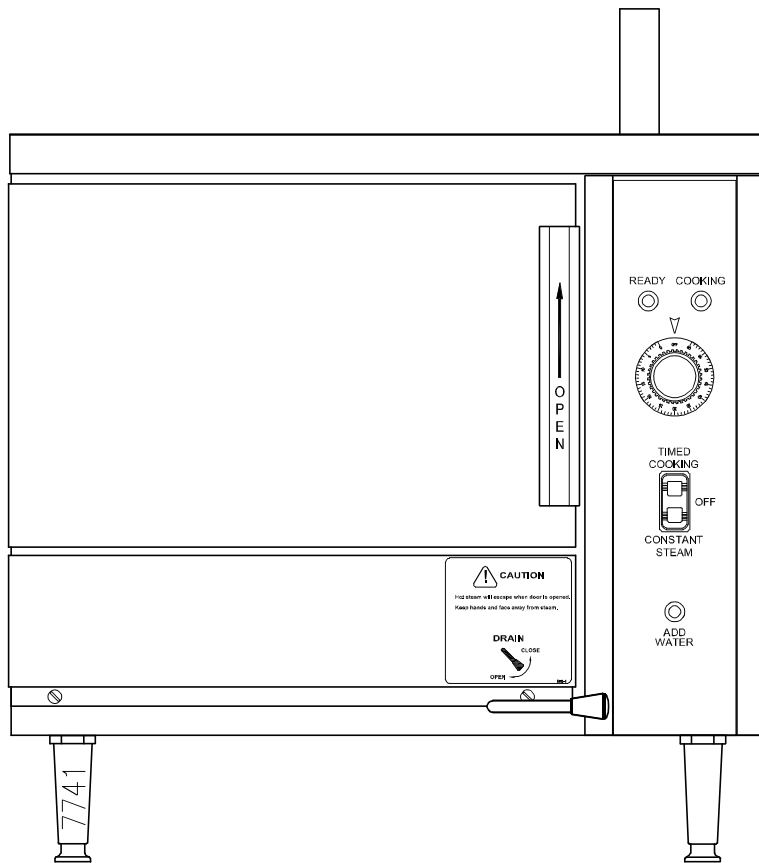


PARTS LIST
PAN STEAMERS
MODELS: EPX-3
EPX-5

PRINTED IN CANADA

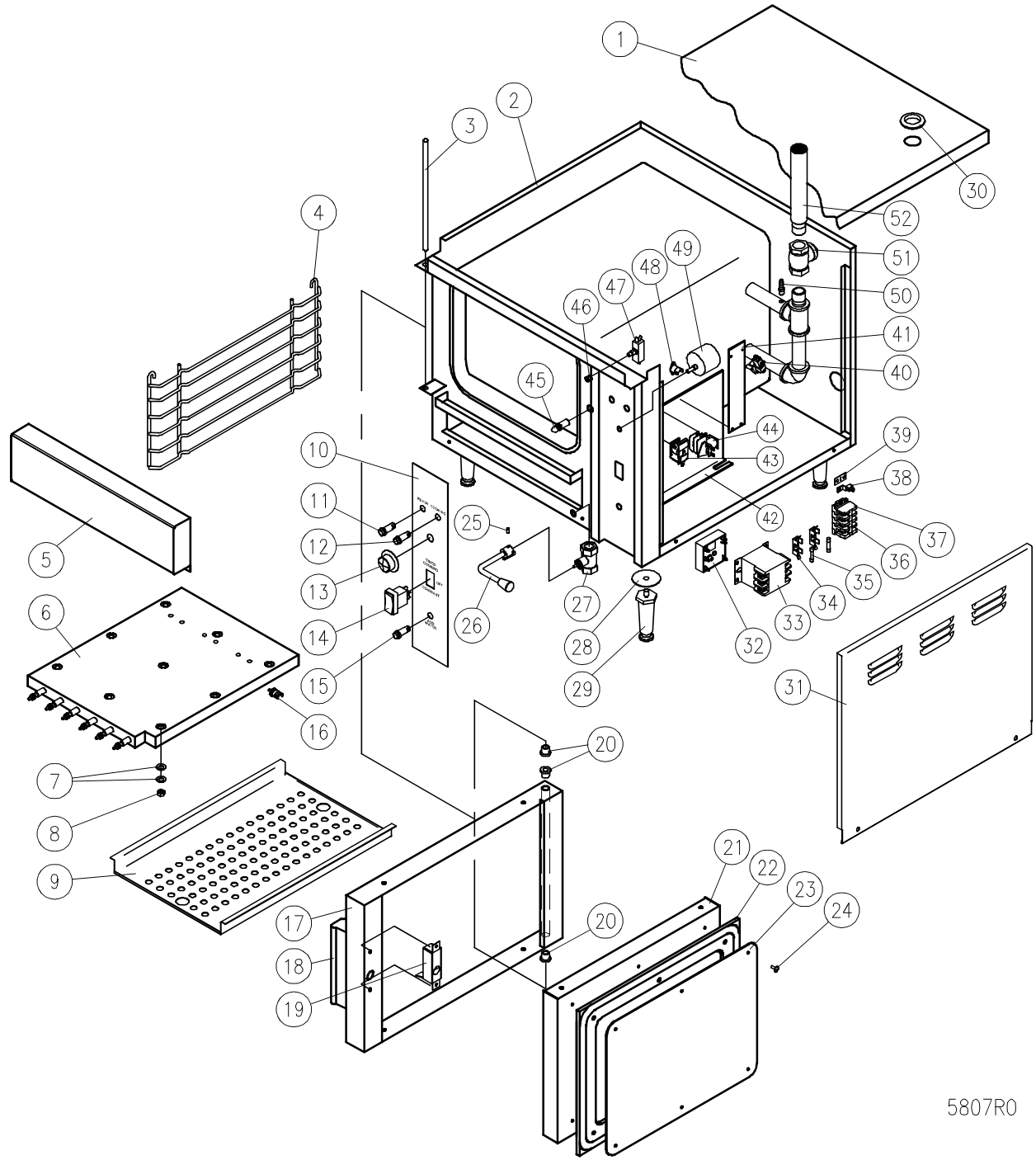


WWW.SOLARISSTEAM.COM

PARTS LIST, PAN STEAMERS, MODELS EPX-3 AND EPX-5

GENERAL ASSEMBLY

FIGURE 1



527R0

PARTS LIST, PAN STEAMERS, MODELS EPX-3 AND EPX-5

FIGURE 1

<u>ITEM</u>	<u>PART NUMBER</u>	<u>DESCRIPTION</u>	<u>QUANTITY</u>		
			<u>EPX-3</u>	<u>EPX-5</u>	
	1	7762-1	Top Panel	1	1
*	2	7764-1	Left/Rear Panel		1
		7763-1	Left/Rear Panel	1	
*	3	8-5077-8	Hinge Rod		1
		8-5077-9	Hinge Rod	1	
*	4	2681-3	Pan Rack		2
		2681-1	Pan Rack	2	
**		4721-1	Pan Rack Hanger Assembly	4	4
	5	6926-1	Element Front Cover	1	1
*	6	6921-1	Element Assembly, 208V, 9 kW	1	
		6921-2	Element Assembly, 220V, 380V, 9 kW	1	
		6921-3	Element Assembly, 240V, 415V, 9 kW	1	
		6921-4	Element Assembly, 480V, 9 kW	1	
		6921-5	Element Assembly, 600V, 9 kW	1	
		6921-6	Element Assembly, 208V, 15 kW		1
		6921-7	Element Assembly, 220V, 380V, 15 kW		1
		6921-8	Element Assembly, 240V, 415V, 15 kW		1
		6921-9	Element Assembly, 480V, 15 kW		1
		6921-10	Element Assembly, 600V, 15 kW		1
	7	9063-1	Spring Disc, 3/4 Outside Diameter	18	18
	8	9029-2	Hex Nut, 5/16 - 18	9	9
	9	7761-1	Compartment Drip Pan	1	1
*	10	7733-1	Decal		1

PARTS LIST, PAN STEAMERS, MODELS EPX-3 AND EPX-5

<u>ITEM</u>	<u>PART NUMBER</u>	<u>DESCRIPTION</u>	<u>QUANTITY</u>	
			<u>EPX-3</u>	<u>EPX-5</u>
	10	7732-1 Decal	1	
	11	4-PL04-1 Pilot Lamp, Green, Ready	1	1
	12	4-PL07-1 Pilot Lamp, Red, Cooking	1	1
*	13	4104-1 Knob, 60M, 60 Hz	1	1
		4103-1 Knob, 70M, 50 Hz, Optional	1	1
		4105-1 Knob, 120M, 60 Hz, Optional	1	1
	14	9124-1 Switch, ON/OFF/ON	1	1
	15	4-PL06-1 Pilot Lamp, Amber, Low Water	1	1
	16	4914-1 High Limit Thermostat	1	1
*	17	8-5060-8 Door Frame		1
		8-5060-9 Door Frame	1	
	18	3903-2 Door Handle Assembly	1	1
	18A	3646-1 Door Handle Decal	1	1
	19	8-5068-9 Latch Assembly	1	1
	20	8-5078 Door Bushing	3	3
	21	8-5065-8 Door Panel		1
		8-5065-9 Door Panel	1	
*	22	8-5063-8 Door Gasket		1
		8-5063-9 Door Gasket	1	
*	23	8-5064-8 Gasket Plate		1
		8-5064-9 Gasket Plate	1	
	24	9-1011-1 Gasket Panel Screws	6	8
	25	9061-3 Set Screw, 10-32 x 3/8	1	1
	26	4933-1 Drain Handle Assembly	1	1
	26A	4935-1 Knob	1	1

PARTS LIST, PAN STEAMERS, MODELS EPX-3 AND EPX-5

<u>ITEM</u>	<u>PART NUMBER</u>	<u>DESCRIPTION</u>	<u>QUANTITY</u>		
			<u>EPX-3</u>	<u>EPX-5</u>	
	27	4918-1	Drain Valve	1	1
	28	9078-1	Washer	4	4
	29	5-FS66	Leg Assembly	4	4
	30	3842-4	Grommet	1	1
*	31	6928-2	Side Panel		1
		6927-2	Side Panel	1	
	32	9242-2	Relay Timer, 230V	1	1
	33	4-CG42-1	Contactora	1	1
	34	9068-1	Fuse Holder	2	2
	35	9092-1	Fuse, 1A, 250V	2	2
	36	4-33TB	Terminal Block		4
		4-22TB	Terminal Block	4	
	37	4-33ES	Terminal End Section		1
		4-22ES	Terminal End Section	1	
	38	4-70EU	Grounding Lug	1	1
	39	4188-1	Earth I.D. Tag	1	1
	40	9247-1	Pressure Switch	1	1
	41	5840-1	Pressure Switch Bracket	1	1
	42	7765-1	Component Board	1	1
	43	4742-1	Buzzer	1	1
	44	9-3174	Relay, DPDT	2	2
	45	8-5021	Striker	1	1
	45A	1-90S0	Lock Washer	1	1
	45B	8-5022	Stainless Steel Washer	1	1
	45C	1-99S0	Hex Nut, 1/2 - 20 UNF	1	1

PARTS LIST, PAN STEAMERS, MODELS EPX-3 AND EPX-5

<u>ITEM</u>	<u>PART NUMBER</u>	<u>DESCRIPTION</u>	<u>QUANTITY</u>		
			<u>EPX-3</u>	<u>EPX-5</u>	
	46	9-3336	Switch Actuator Rod with Clip	1	1
	47	9-3213	Door Switch	1	1
	48	9077-1	Stand-By Temperature Thermostat	1	1
*	49	4-T209-1	Timer, 60 Minutes	1	1
		4-T212	Timer, 120 Minutes	1	1
**	50	9053-8	Hose Barb, 1/4" x 1/8" MPT	1	1
		9222-090	Tube, 1/4" x 9" Long	1	1
	51	5808-1	Check Valve - Modified	1	1
	52	5842-2	Vent Tube Sub Assembly		1
		5842-1	Vent Tube Sub Assembly	1	

* SELECT AS REQUIRED.

** NOT SHOWN.