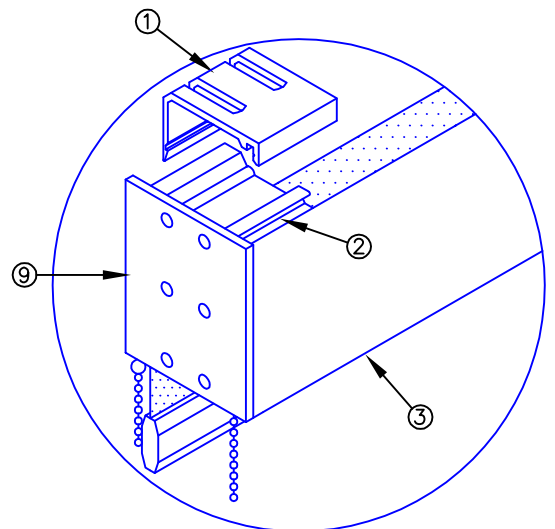
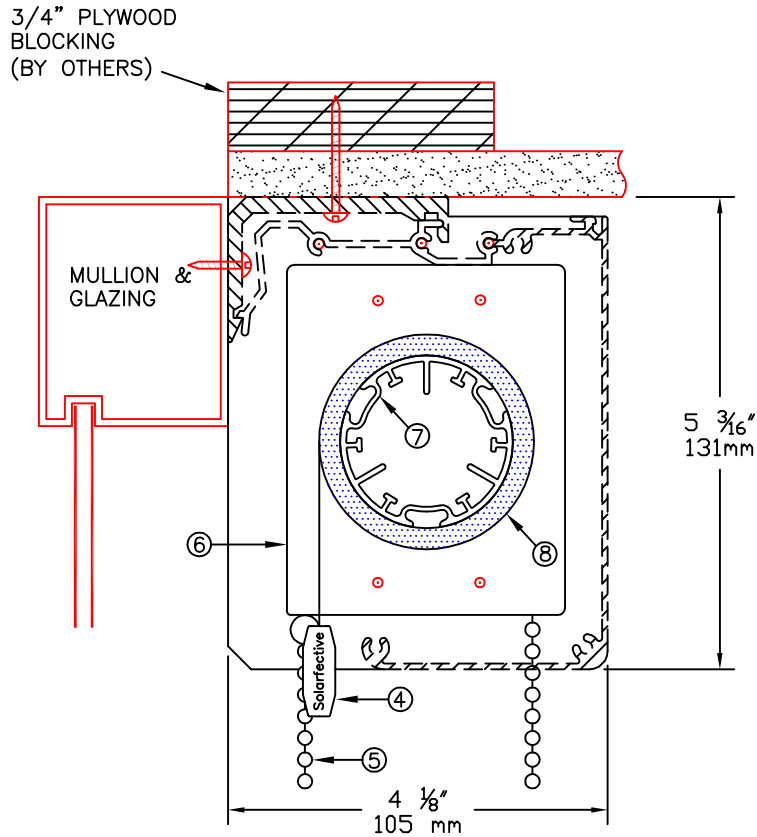


THE TELESHADE CAN BE MOUNTED TO THE CEILING OR TO THE FACE OF THE MULLION



NOTES:

1. MOUNTING ANGLE
2. 2" WIDE SPRING CLIP
3. EXTRUDED ALUMINUM 5" FASCIA
4. EXTRUDED ALUMINUM EXTERIOR HEMBAR
5. STAINLESS STEEL BALL CHAIN
6. END BRACKETS
7. 1 7/8" Ø EXTRUDED ALUMINUM TUBE
8. FABRIC: 1%, 3%, 5%, 10% OPENNESS OR BLACKOUT
9. ALUMINUM END PLATE

Solarfective

55 Hymus Road, Scarborough
Ontario, Canada. M1L 2C6

Tel. (416) 421-3800
Fax. (416) 421-8424

Web Site: www.solarfective.com
Email: shades@solarfective.com

5" FASCIA TELESHADE SYSTEM
SNAP-IN MOUNTING DETAIL

PROJECT: -

DATE: JAN. 01, 2015	SCALE: N.T.S.	FILE No. -	DRAWN: ADIE	DWG. No. T-10	REV 0
------------------------	------------------	---------------	----------------	------------------	----------