

8

7

6

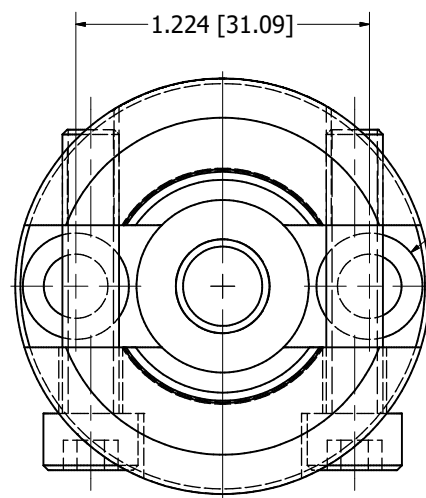
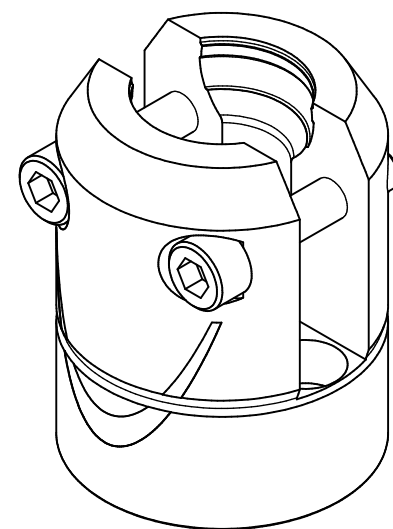
5

4

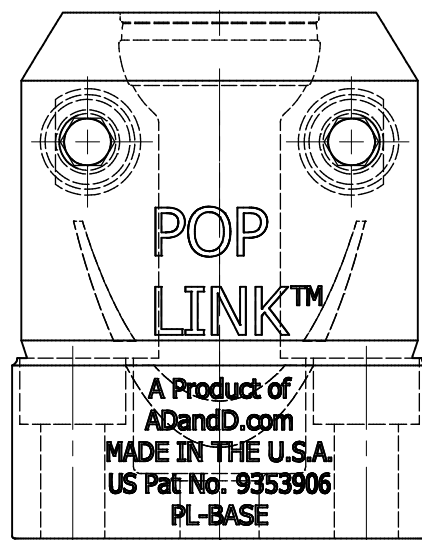
3

2

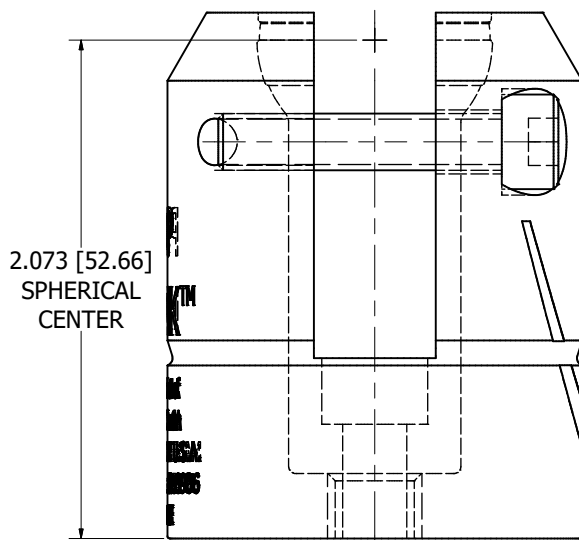
1



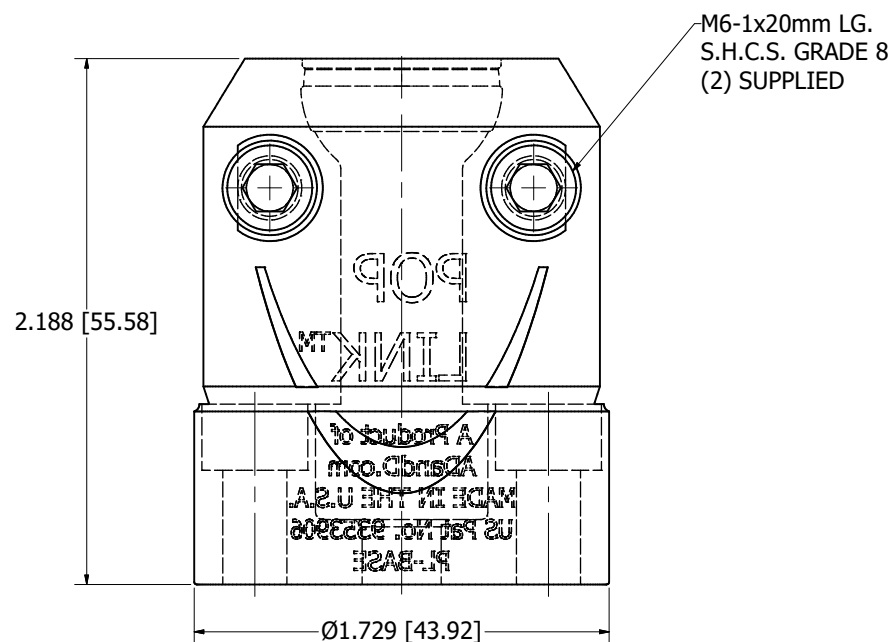
2X C'BORED FOR  
M6 S.H.C.S.



M10x1.5 - 6H THRU



2.073 [52.66]  
SPHERICAL  
CENTER



M6-1x20mm LG.  
S.H.C.S. GRADE 8  
(2) SUPPLIED

TOTAL ASSEMBLED WEIGHT  
0 lbs. 5.5 ozs.

REV	DESCRIPTION	DATE	DWN	CHK

REVISIONS

MATERIAL:  
PATENT PENDING  
BREAK ALL SHARP CORNERS  
MARK DETAILS WITH PART No.  
UNLESS OTHERWISE SPECIFIED  
STANDARD TOLERANCE  
UNLESS OTHERWISE SPECIFIED  
2 PLACE DEC. ± .03  
3 PLACE DEC. ± .005  
4 PLACE DEC. ± .0005  
ANGLES ± 1°

DESCRIPTION  
**AD&D SPHERICAL PRODUCTS  
POP-LINK™ / BASE**

SCALE: FULL DRAWND. BIDDING DATE 3/31/17  
SHEET SIZE | D CHECKED \_\_\_\_\_ DATE \_\_\_\_\_  
APPROVED \_\_\_\_\_ DATE \_\_\_\_\_  
No. OF SHEETS \_\_\_\_\_ PART No. **PL-BASE**  
SHEET No. \_\_\_\_\_

8

7

6

5

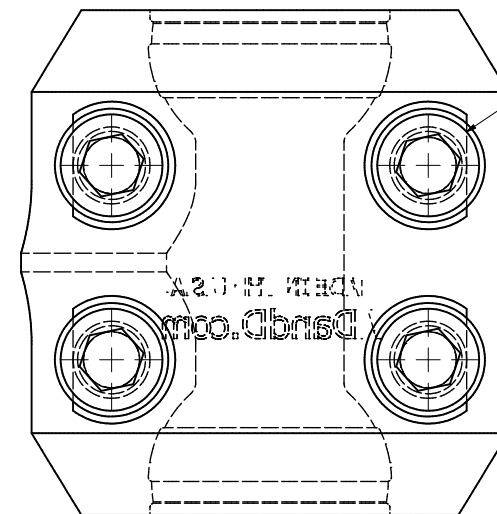
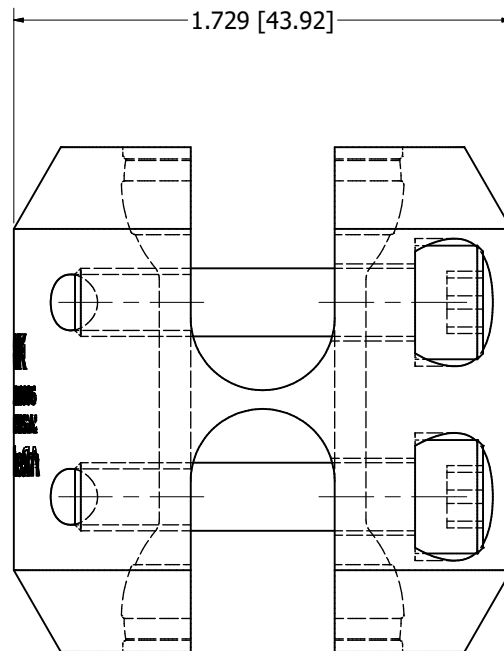
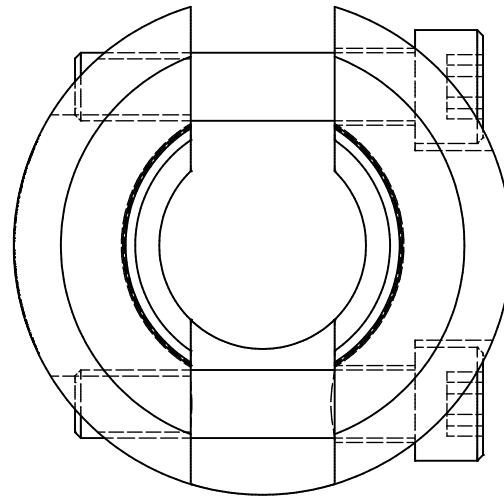
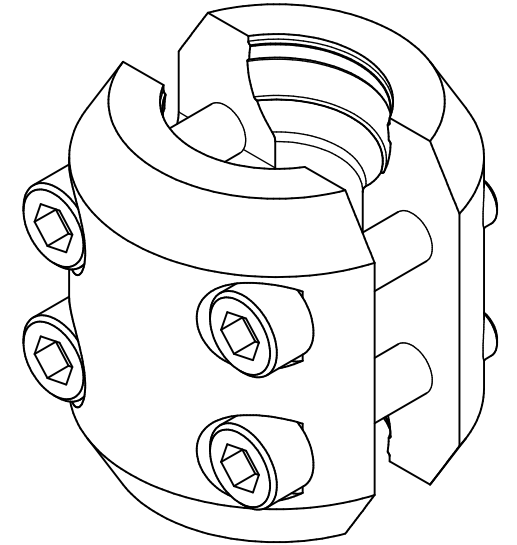
4

3

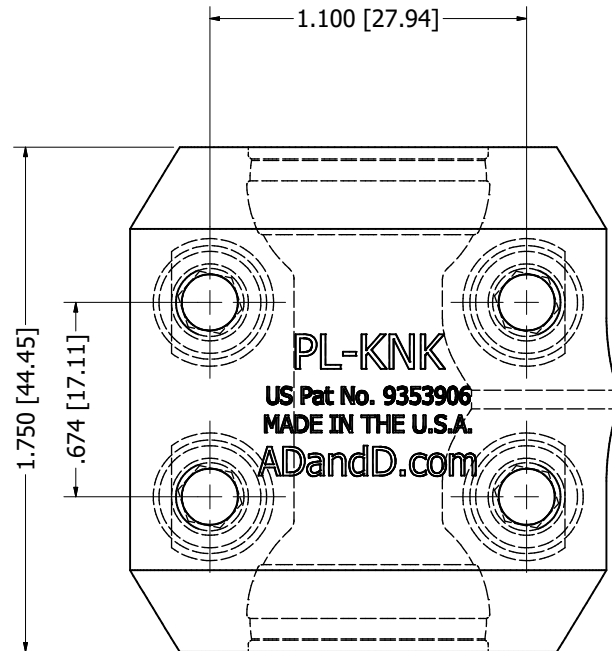
2

1

8 7 6 5 4 3 2 1



M6-1x20mm LG.  
S.H.C.S. GRADE 8  
(4) SUPPLIED

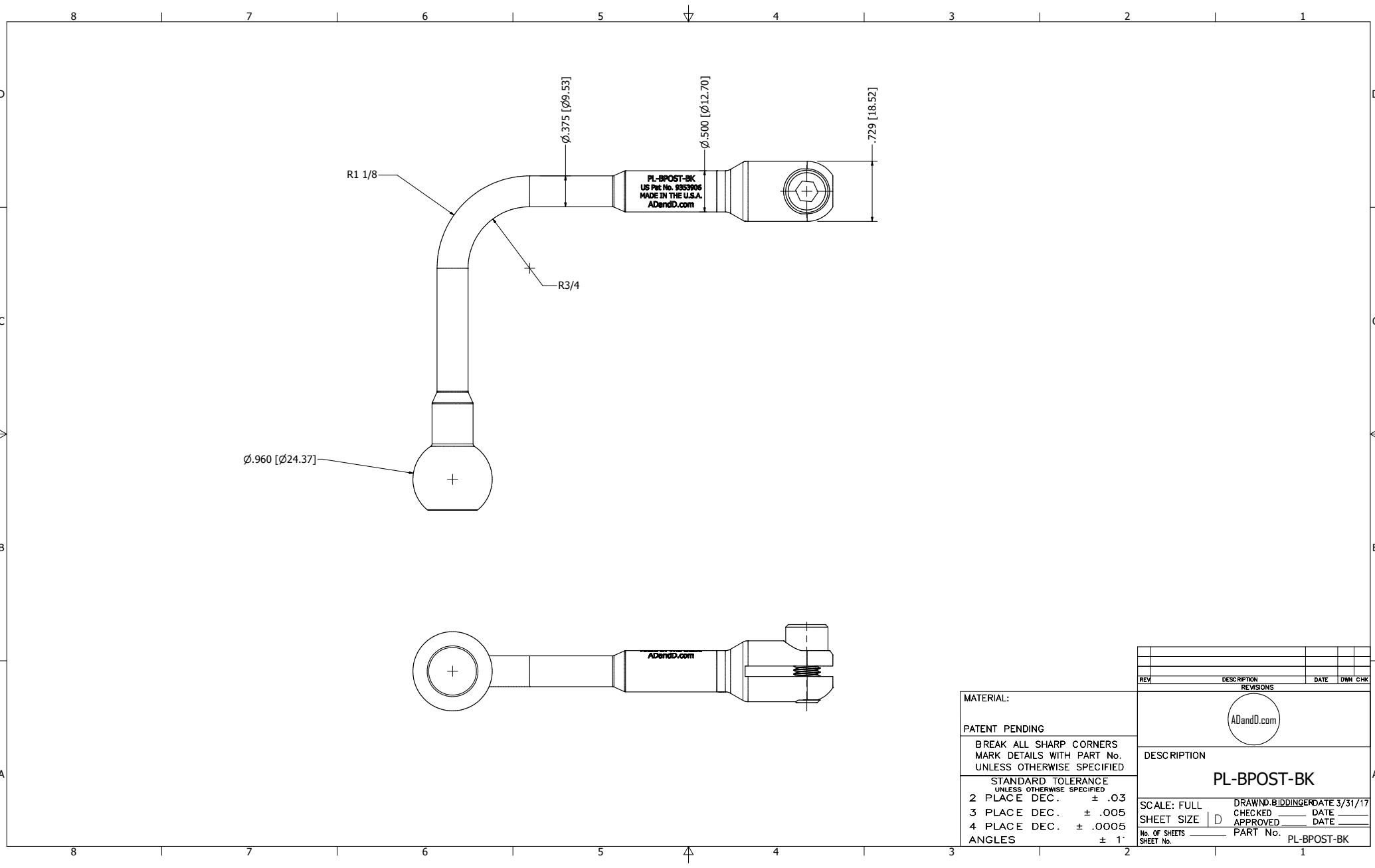


TOTAL ASSEMBLED WEIGHT  
0 lbs. 4.2 ozs.

8 7 6 5 4 3 2 1

MATERIAL:  
PATENT PENDING  
BREAK ALL SHARP CORNERS  
MARK DETAILS WITH PART No.  
UNLESS OTHERWISE SPECIFIED  
STANDARD TOLERANCE  
UNLESS OTHERWISE SPECIFIED  
2 PLACE DEC. ± .03  
3 PLACE DEC. ± .005  
4 PLACE DEC. ± .0005  
ANGLES ± 1'

REV	DESCRIPTION	DATE	DWN	CHK
REVISIONS				
ADandD.com				
DESCRIPTION <b>AD&amp;D SPHERICAL PRODUCTS POP-LINK™ / KNUCKLE</b>				
SCALE: FULL		DRAWN: BIDDINGER DATE 3/31/17		
SHEET SIZE   D		CHECKED: _____ DATE _____		
No. OF SHEETS _____		APPROVED: _____ DATE _____		
SHEET No. _____		PART No. <b>PL-KNK</b>		



PL-BPOST-BK  
 US Pat No. 9353906  
 MADE IN THE U.S.A.  
 ADandD.com

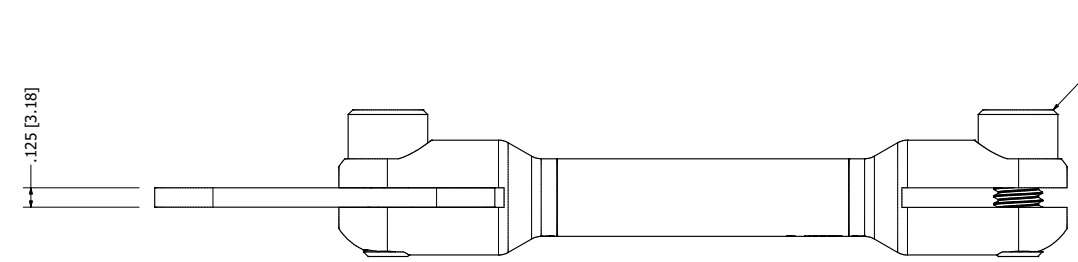
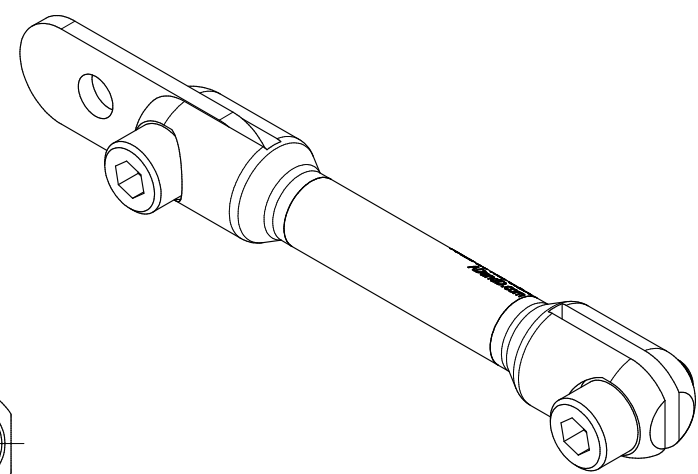
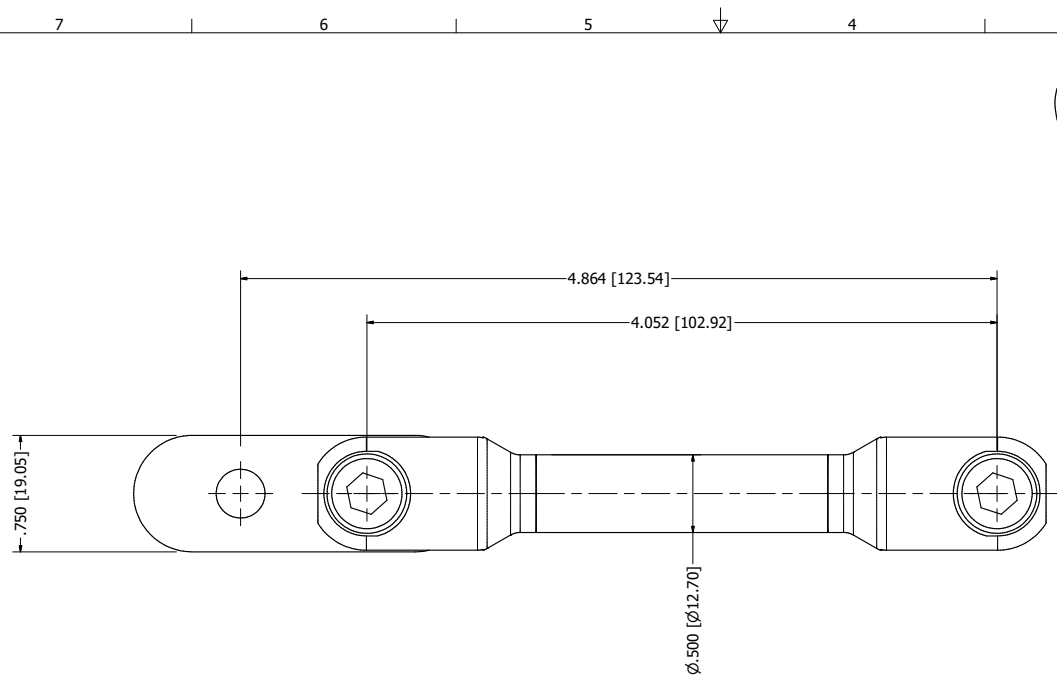
ADandD.com

REV	DESCRIPTION	DATE	DRN	CHK



DESCRIPTION	
<b>PL-BPOST-BK</b>	
SCALE: FULL	DRAWN: BIDDING DATE 3/31/17
SHEET SIZE   D	CHECKED: _____ DATE _____
No. OF SHEETS _____	APPROVED: _____ DATE _____
SHEET No. _____	PART No. PL-BPOST-BK

MATERIAL:  
 PATENT PENDING  
 BREAK ALL SHARP CORNERS  
 MARK DETAILS WITH PART No.  
 UNLESS OTHERWISE SPECIFIED  
 STANDARD TOLERANCE  
 UNLESS OTHERWISE SPECIFIED  
 2 PLACE DEC. ± .03  
 3 PLACE DEC. ± .005  
 4 PLACE DEC. ± .0005  
 ANGLES ± 1'



M8-1.25x16mm LG. S.H.C.S.  
18-8 STAINLESS STEEL  
(2) SUPPLIED

REV	DESCRIPTION	DATE	DRN	CHK
	REVISIONS			

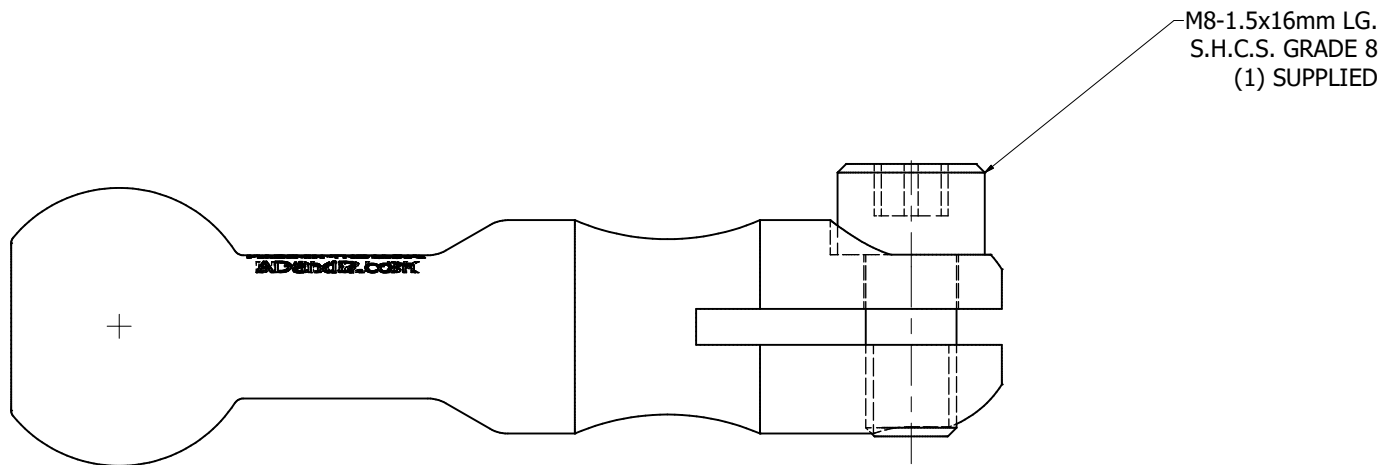
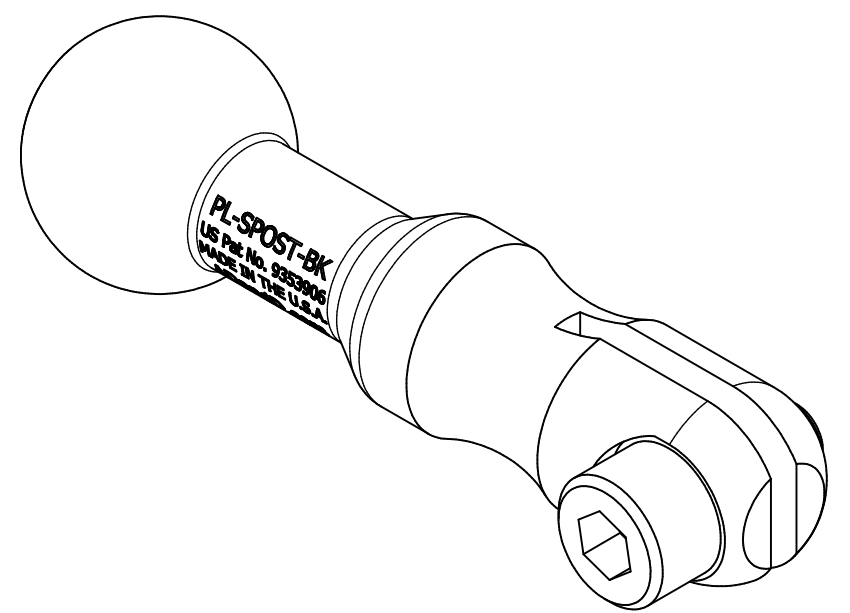
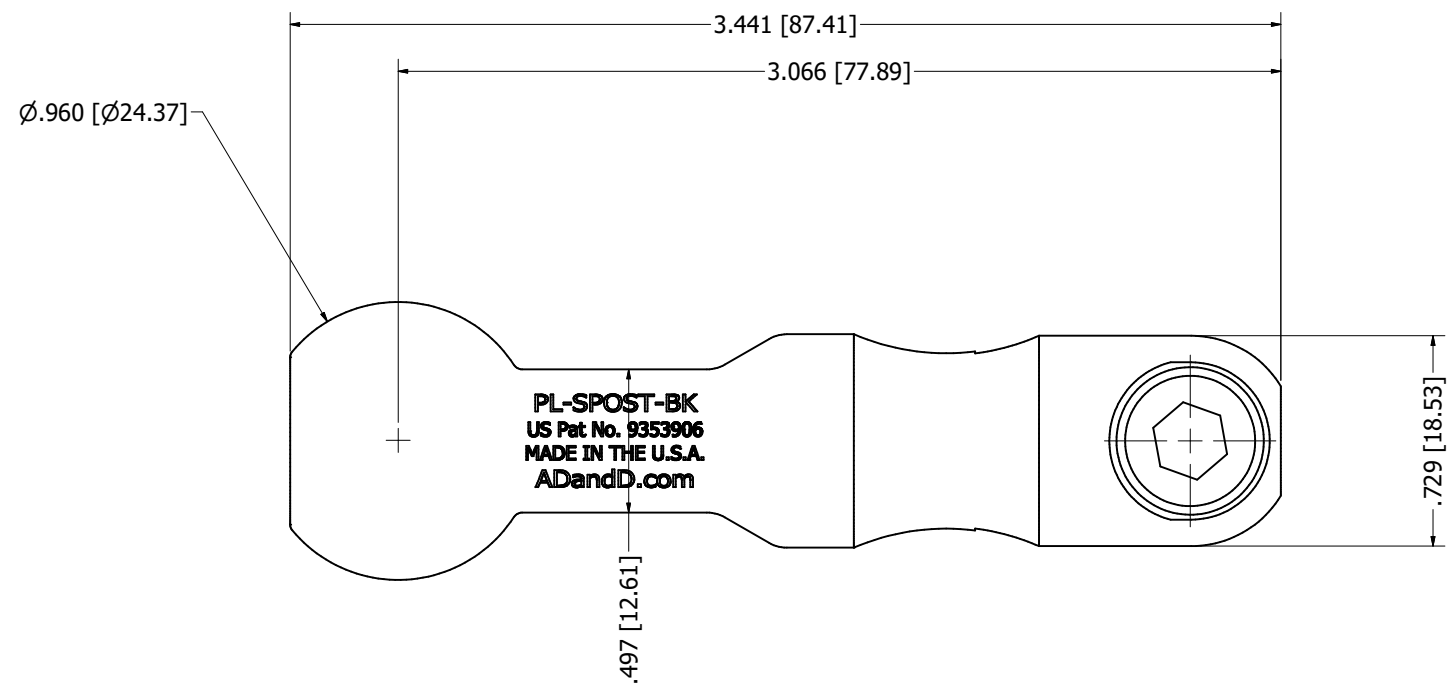
MATERIAL:  
PATENT PENDING  
BREAK ALL SHARP CORNERS  
MARK DETAILS WITH PART No.  
UNLESS OTHERWISE SPECIFIED  
STANDARD TOLERANCE  
UNLESS OTHERWISE SPECIFIED  
2 PLACE DEC. ± .03  
3 PLACE DEC. ± .005  
4 PLACE DEC. ± .0005  
ANGLES ± 1'

ADandD.com

DESCRIPTION  
**PL-KPOST-BK**

SCALE: FULL DRAWN: BIDDING DATE 3/31/17  
SHEET SIZE | D CHECKED: DATE  
APPROVED: DATE  
No. OF SHEETS PART No. PL-KPOST-BK  
SHEET No.





TOTAL ASSEMBLED WEIGHT  
0 lbs. 2.2 ozs.

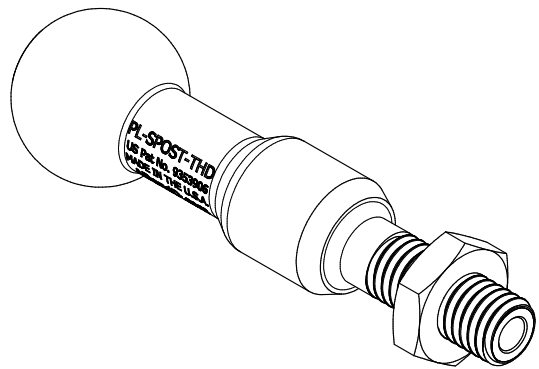
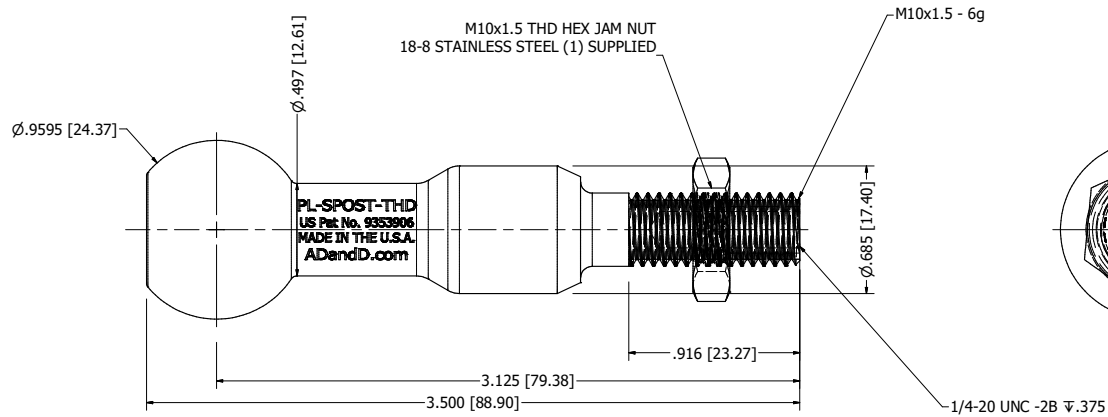
MATERIAL:  
PATENT PENDING  
BREAK ALL SHARP CORNERS  
MARK DETAILS WITH PART No.  
UNLESS OTHERWISE SPECIFIED  
STANDARD TOLERANCE  
UNLESS OTHERWISE SPECIFIED  
2 PLACE DEC.  $\pm .03$   
3 PLACE DEC.  $\pm .005$   
4 PLACE DEC.  $\pm .0005$   
ANGLES  $\pm 1'$

REV	DESCRIPTION	DATE	DWN	CHK



DESCRIPTION  
**AD&D SPHERICAL PRODUCTS**  
**POP-LINK™ / STANDARD BRACKET POST**


SCALE: FULL  
SHEET SIZE | D  
No. OF SHEETS \_\_\_\_\_ SHEET No. \_\_\_\_\_  
DRAWN: BIDDINGER DATE 3/31/17  
CHECKED \_\_\_\_\_ DATE \_\_\_\_\_  
APPROVED \_\_\_\_\_ DATE \_\_\_\_\_  
PART No. PL-SPOST-BK

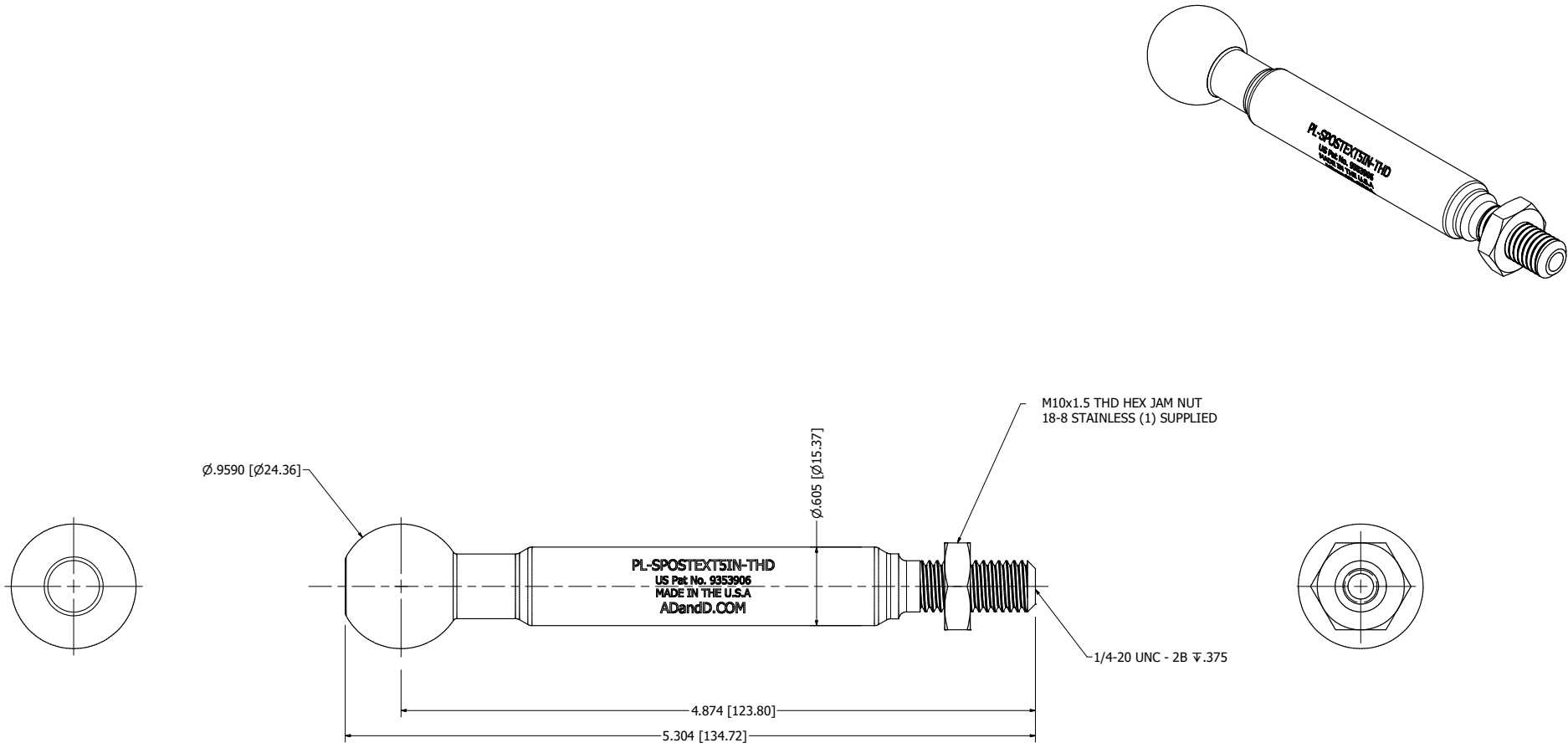


TOTAL ASSEMBLED WEIGHT  
0 lbs. 1.75 ozs.

**MATERIAL:**  
 PATENT PENDING  
 BREAK ALL SHARP CORNERS  
 MARK DETAILS WITH PART No.  
 UNLESS OTHERWISE SPECIFIED  
 STANDARD TOLERANCE  
 UNLESS OTHERWISE SPECIFIED  
 2 PLACE DEC.  $\pm .03$   
 3 PLACE DEC.  $\pm .005$   
 4 PLACE DEC.  $\pm .0005$   
 ANGLES  $\pm 1'$


REV	DESCRIPTION	DATE	DRN	CHK

	
<b>DESCRIPTION</b> <b>PL-SPOST-THD</b>	
SCALE: FULL SHEET SIZE   D No. OF SHEETS _____ SHEET No. _____	DRAWN: BIDDINGER DATE 3/31/17 CHECKED _____ DATE _____ APPROVED _____ DATE _____ PART No. PL-SPOST-THD

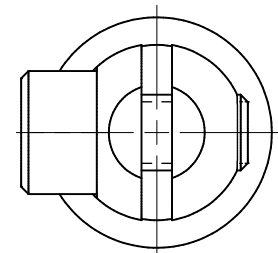
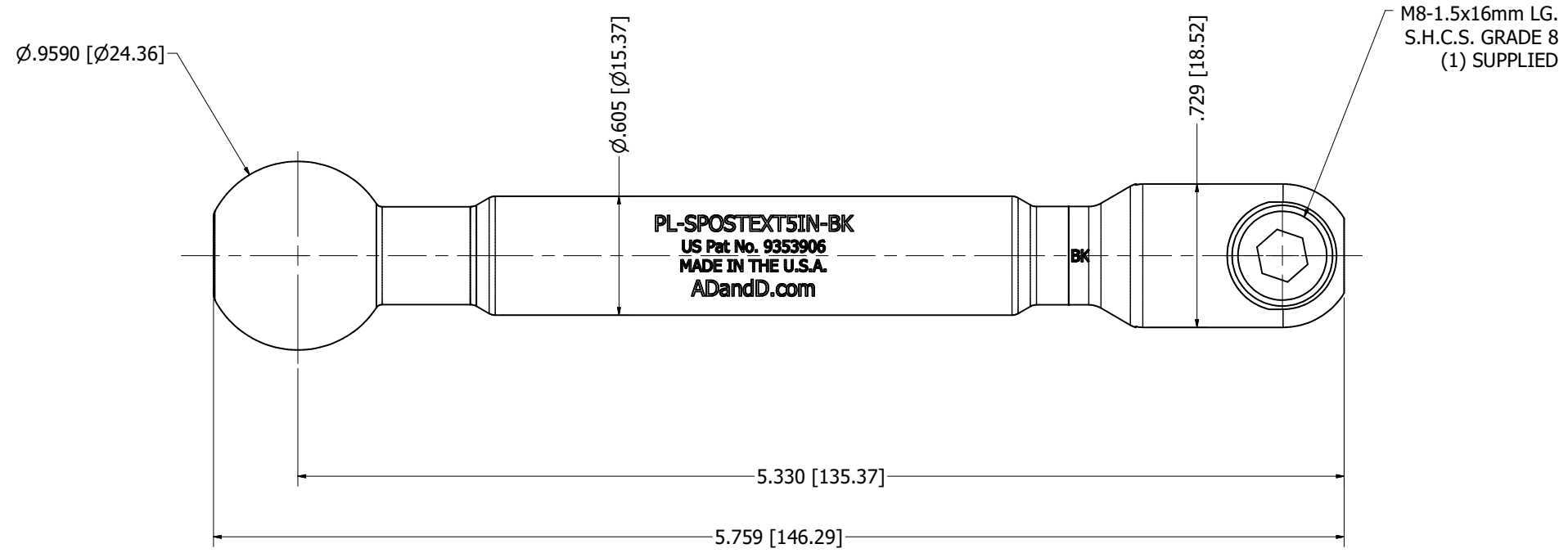
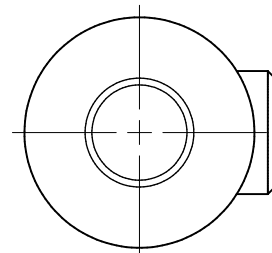
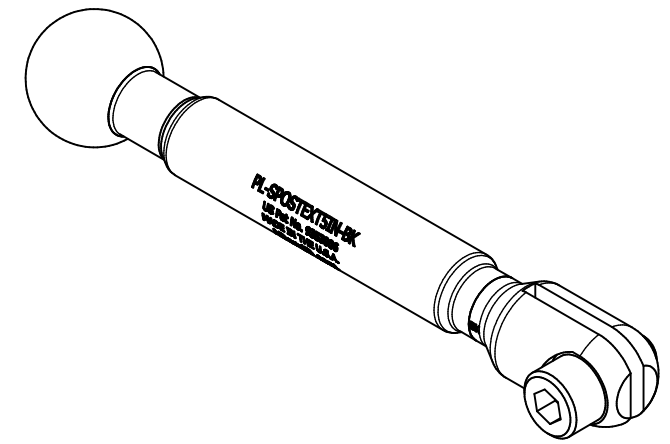


REV	DESCRIPTION	DATE	DRN	CHK
	REVISIONS			

**MATERIAL:**  
 PATENT PENDING  
 BREAK ALL SHARP CORNERS  
 MARK DETAILS WITH PART No.  
 UNLESS OTHERWISE SPECIFIED  
**STANDARD TOLERANCE**  
 UNLESS OTHERWISE SPECIFIED  
 2 PLACE DEC.  $\pm .03$   
 3 PLACE DEC.  $\pm .005$   
 4 PLACE DEC.  $\pm .0005$   
 ANGLES  $\pm 1'$

	
<b>DESCRIPTION</b> <b>PL-SPOSTEXT5IN-THD</b>	
SCALE: FULL SHEET SIZE   D No. OF SHEETS _____ SHEET No. _____	DRAWN: BIDDINGER DATE 3/31/17 CHECKED _____ DATE _____ APPROVED _____ DATE _____ PART No. PL-SPOSTEXT5IN-THD

8 7 6 5 4 3 2 1



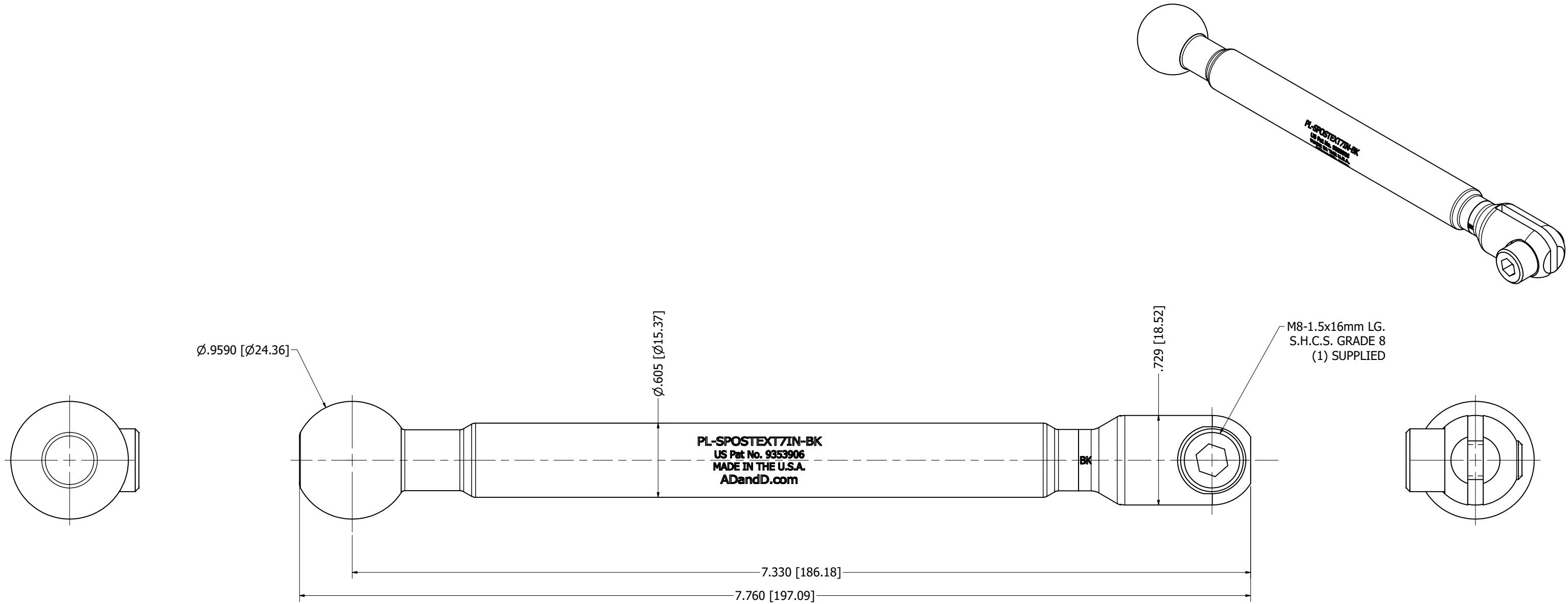
MATERIAL:  
 PATENT PENDING  
 BREAK ALL SHARP CORNERS  
 MARK DETAILS WITH PART No.  
 UNLESS OTHERWISE SPECIFIED  
 STANDARD TOLERANCE  
 UNLESS OTHERWISE SPECIFIED  
 2 PLACE DEC.  $\pm .03$   
 3 PLACE DEC.  $\pm .005$   
 4 PLACE DEC.  $\pm .0005$   
 ANGLES  $\pm 1'$

REV	DESCRIPTION	DATE	DWN	CHK



DESCRIPTION  
**PL-SPOSTEXT5IN-BK**  
 SCALE: FULL DRAWND. BIDDINGER DATE 3/31/17  
 SHEET SIZE | D CHECKED \_\_\_\_\_ DATE \_\_\_\_\_  
 APPROVED \_\_\_\_\_ DATE \_\_\_\_\_  
 No. OF SHEETS \_\_\_\_\_ PART No. \_\_\_\_\_  
 SHEET No. \_\_\_\_\_ **PL-SPOSTEXT5IN-BK**

8 7 6 5 4 3 2 1



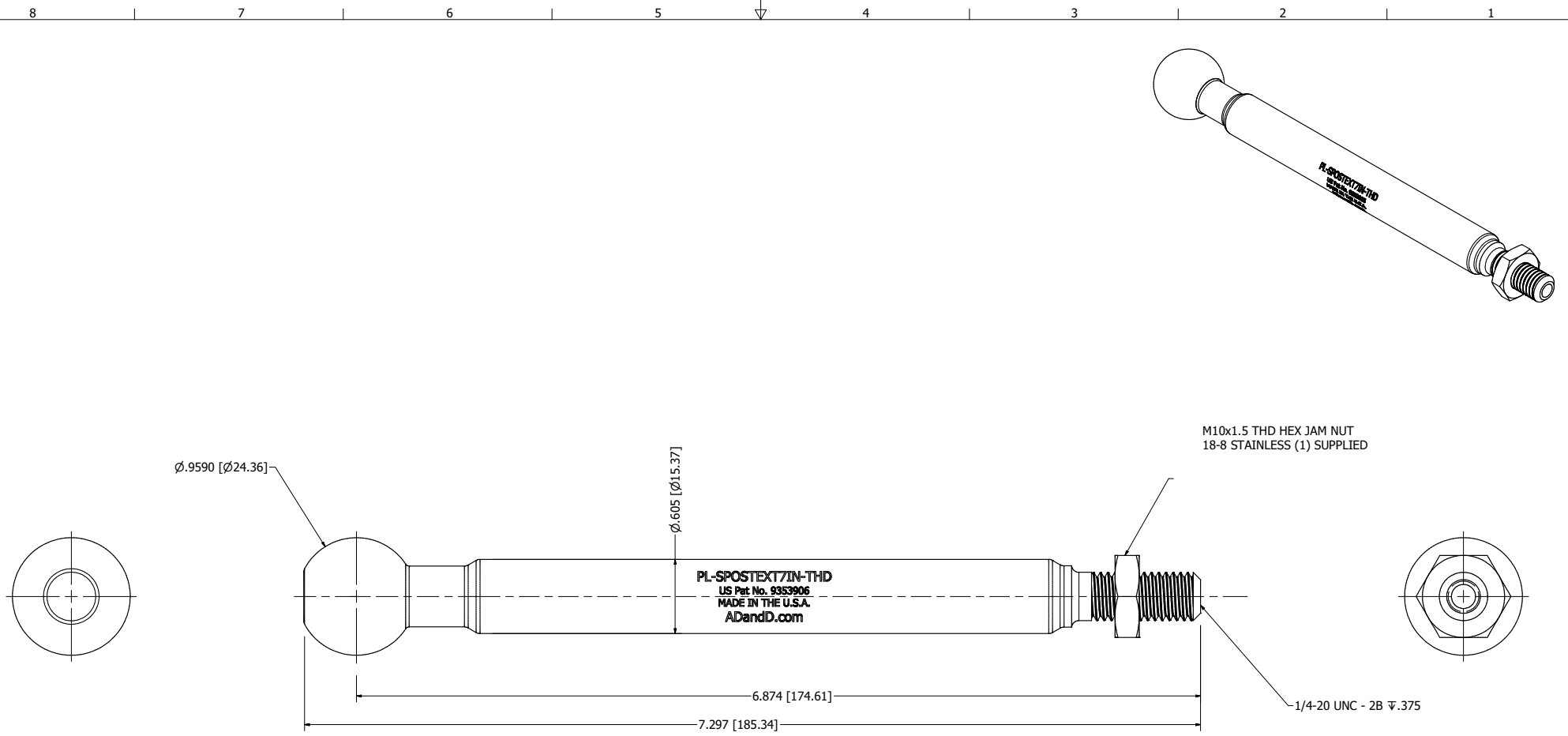
REV	DESCRIPTION	DATE	DWN	CHK

MATERIAL:  
 PATENT PENDING  
 BREAK ALL SHARP CORNERS  
 MARK DETAILS WITH PART No.  
 UNLESS OTHERWISE SPECIFIED  
 STANDARD TOLERANCE  
 UNLESS OTHERWISE SPECIFIED  
 2 PLACE DEC. ± .03  
 3 PLACE DEC. ± .005  
 4 PLACE DEC. ± .0005  
 ANGLES ± 1'

ADandD.com

DESCRIPTION  
**PL-SPOSTEXT7IN-BK**

SCALE: FULL DRAWN: BIDDINGER DATE 3/31/17  
 SHEET SIZE | D CHECKED: \_\_\_\_\_ DATE: \_\_\_\_\_  
 APPROVED: \_\_\_\_\_ DATE: \_\_\_\_\_  
 No. OF SHEETS \_\_\_\_\_ PART No. \_\_\_\_\_  
 SHEET No. \_\_\_\_\_ **PL-SPOSTEXT7IN-BK**



REV	DESCRIPTION	DATE	DRN	CHK
	REVISIONS			


**MATERIAL:**

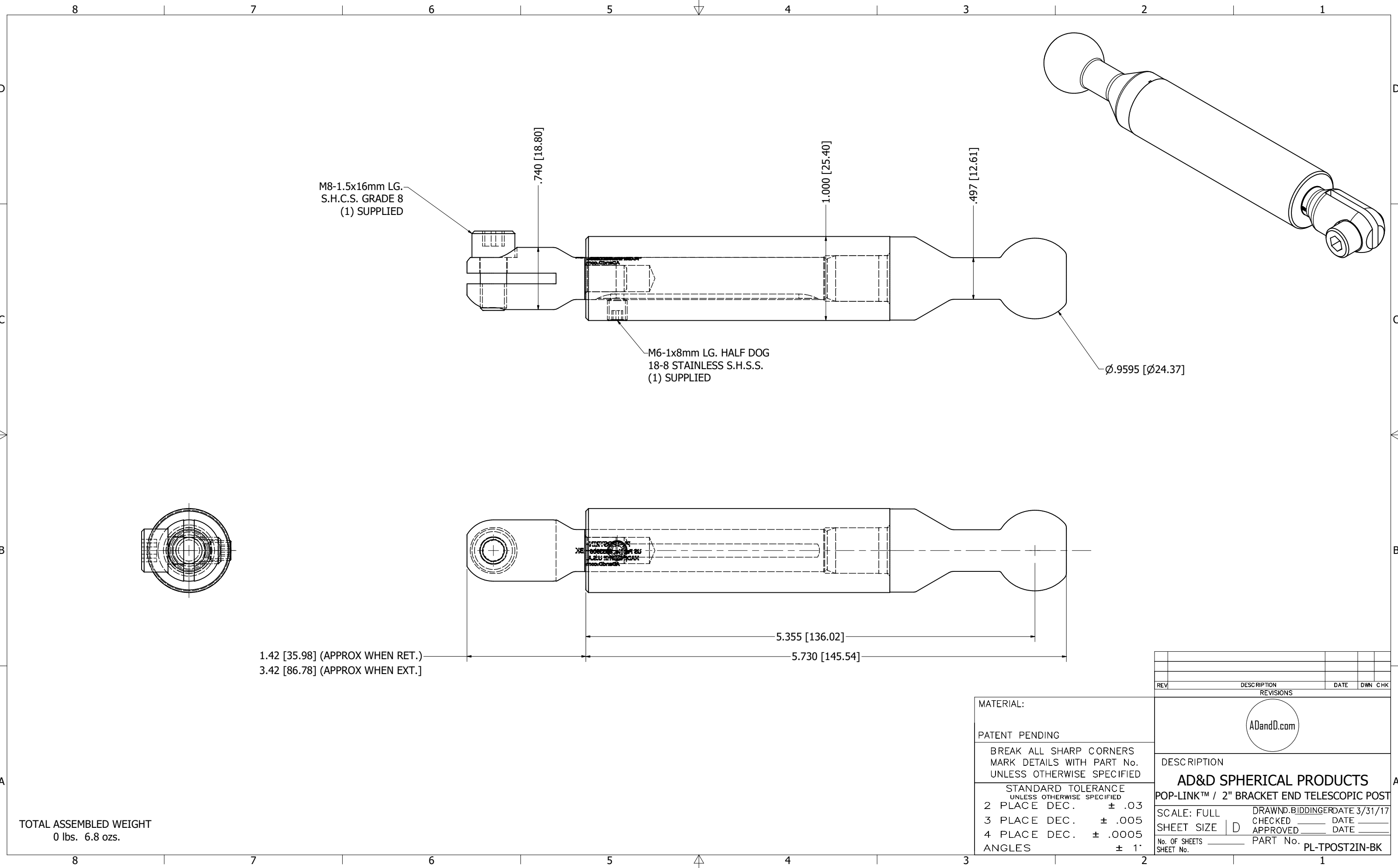
PATENT PENDING

BREAK ALL SHARP CORNERS  
MARK DETAILS WITH PART No.  
UNLESS OTHERWISE SPECIFIED

STANDARD TOLERANCE  
UNLESS OTHERWISE SPECIFIED

2 PLACE DEC. ± .03  
3 PLACE DEC. ± .005  
4 PLACE DEC. ± .0005  
ANGLES ± 1'

	
DESCRIPTION	
<b>PL-SPOSTEXT7IN-THD</b>	
SCALE: FULL	DRAWN: BIDDINGER DATE 3/31/17
SHEET SIZE   D	CHECKED: _____ DATE _____
No. OF SHEETS _____	APPROVED: _____ DATE _____
SHEET No. _____	PART No. PL-SPOSTEXT7IN-THD



REV	DESCRIPTION	DATE	DWN	CHK



DESCRIPTION  
**AD&D SPHERICAL PRODUCTS**  
 POP-LINK™ / 2" BRACKET END TELESCOPIC POST

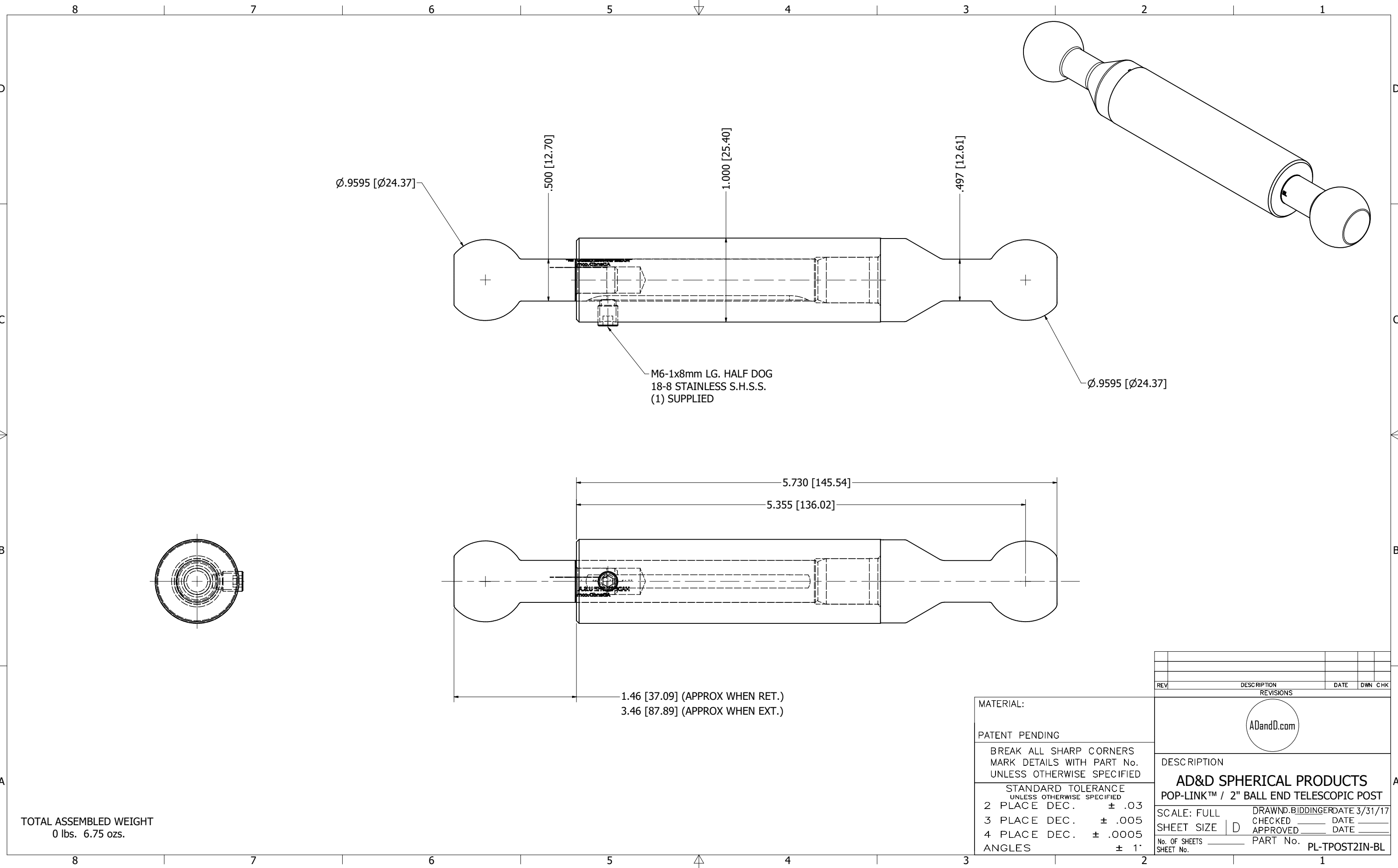
SCALE: FULL DRAWN: BIDDINGER DATE 3/31/17  
 SHEET SIZE | D CHECKED: \_\_\_\_\_ DATE: \_\_\_\_\_  
 APPROVED: \_\_\_\_\_ DATE: \_\_\_\_\_  
 No. OF SHEETS \_\_\_\_\_ PART No. PL-TPOST2IN-BK  
 SHEET No. \_\_\_\_\_

MATERIAL:  
 PATENT PENDING  
 BREAK ALL SHARP CORNERS  
 MARK DETAILS WITH PART No.  
 UNLESS OTHERWISE SPECIFIED

STANDARD TOLERANCE  
 UNLESS OTHERWISE SPECIFIED


2 PLACE DEC. ± .03  
 3 PLACE DEC. ± .005  
 4 PLACE DEC. ± .0005  
 ANGLES ± 1'

TOTAL ASSEMBLED WEIGHT  
 0 lbs. 6.8 ozs.

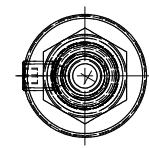
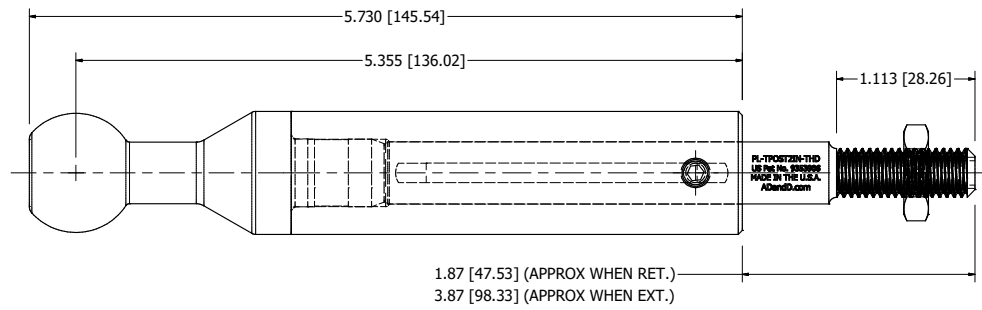
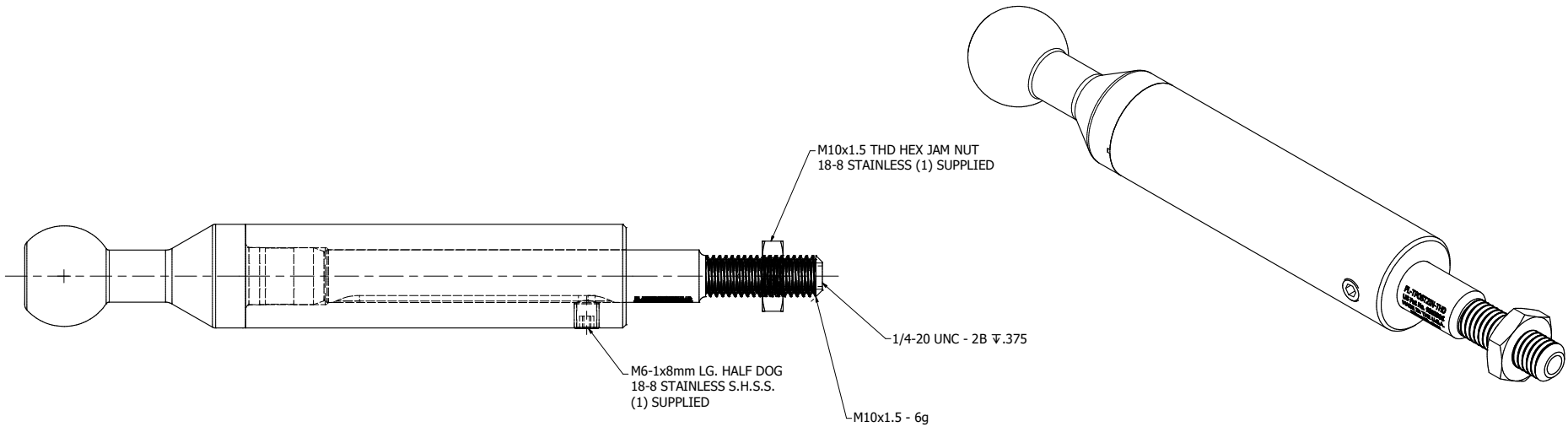


TOTAL ASSEMBLED WEIGHT  
0 lbs. 6.75 ozs.

MATERIAL:  
PATENT PENDING  
BREAK ALL SHARP CORNERS  
MARK DETAILS WITH PART No.  
UNLESS OTHERWISE SPECIFIED  
STANDARD TOLERANCE  
UNLESS OTHERWISE SPECIFIED  
2 PLACE DEC.  $\pm .03$   
3 PLACE DEC.  $\pm .005$   
4 PLACE DEC.  $\pm .0005$   
ANGLES  $\pm 1'$

REV	DESCRIPTION	DATE	DWN	CHK
REVISIONS				
				
<b>AD&amp;D SPHERICAL PRODUCTS</b> <b>POP-LINK™ / 2" BALL END TELESCOPIC POST</b>				
SCALE: FULL		DRAWN: BIDDINGER DATE 3/31/17		
SHEET SIZE   D		CHECKED: _____ DATE: _____		
No. OF SHEETS _____		APPROVED: _____ DATE: _____		
SHEET No. _____		PART No. PL-TPOST2IN-BL		

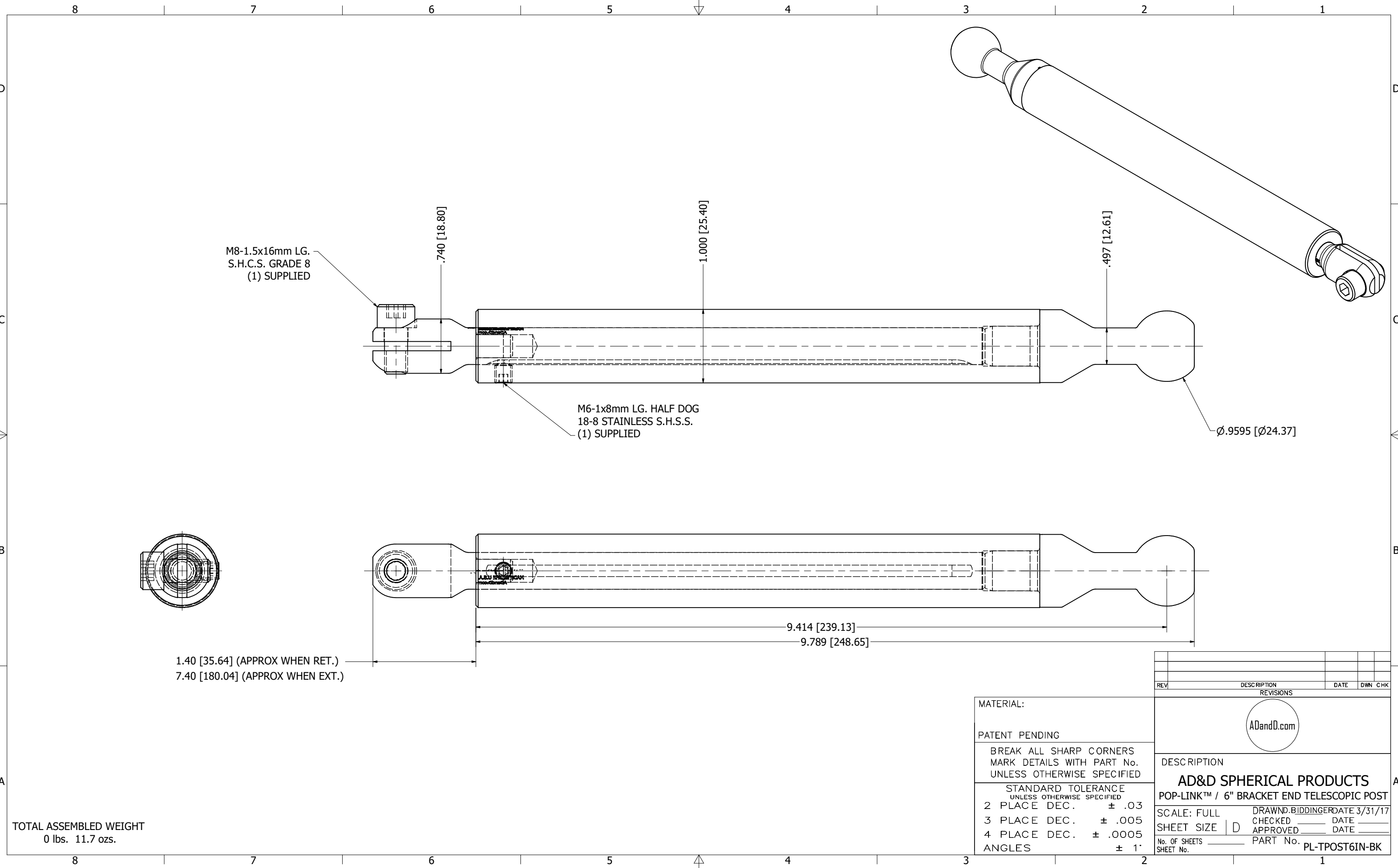




TOTAL ASSEMBLED WEIGHT  
0 lbs. 6.5 ozs.

MATERIAL:  
PATENT PENDING  
BREAK ALL SHARP CORNERS  
MARK DETAILS WITH PART No.  
UNLESS OTHERWISE SPECIFIED  
STANDARD TOLERANCE  
UNLESS OTHERWISE SPECIFIED  
2 PLACE DEC.  $\pm .03$   
3 PLACE DEC.  $\pm .005$   
4 PLACE DEC.  $\pm .0005$   
ANGLES  $\pm 1'$

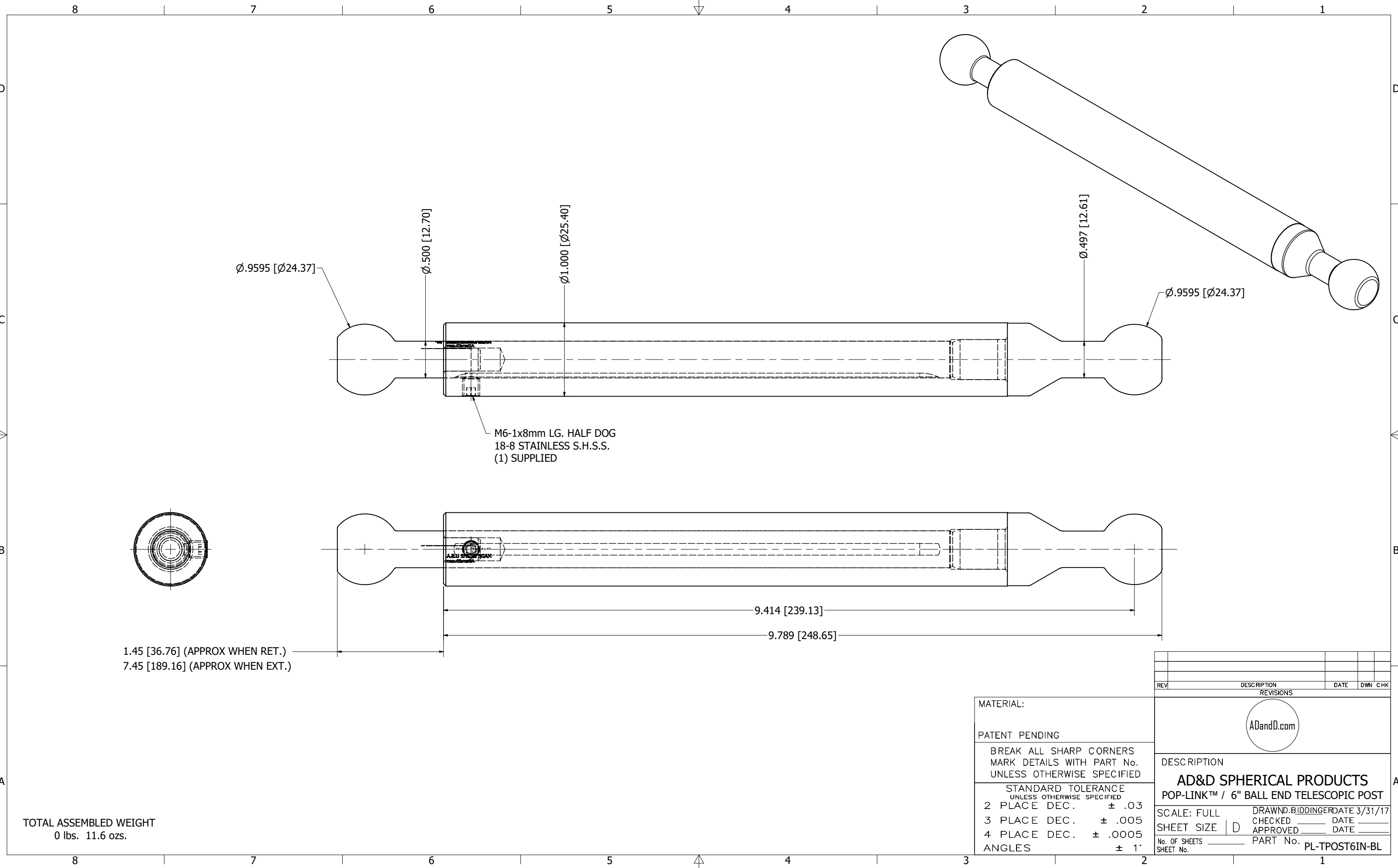
REV	DESCRIPTION	DATE	DRN	CHK
REVISIONS				
ADandD.com				
DESCRIPTION				
<b>PL-TPOST2IN-THD</b>				
SCALE: FULL		DRAWN: BIDDINGER DATE 3/31/17		
SHEET SIZE   D		CHECKED: _____ DATE _____		
No. OF SHEETS _____		APPROVED: _____ DATE _____		
SHEET No. _____		PART No. PL-TPOST2IN-THD		



TOTAL ASSEMBLED WEIGHT  
0 lbs. 11.7 ozs.

MATERIAL:  
PATENT PENDING  
BREAK ALL SHARP CORNERS  
MARK DETAILS WITH PART No.  
UNLESS OTHERWISE SPECIFIED  
STANDARD TOLERANCE  
UNLESS OTHERWISE SPECIFIED  
2 PLACE DEC. ± .03  
3 PLACE DEC. ± .005  
4 PLACE DEC. ± .0005  
ANGLES ± 1'

REV	DESCRIPTION	DATE	DWN	CHK
REVISIONS				
ADandD.com				
DESCRIPTION				
<b>AD&amp;D SPHERICAL PRODUCTS</b>				
<b>POP-LINK™ / 6" BRACKET END TELESCOPIC POST</b>				
SCALE: FULL		DRAWN: BIDDINGER DATE 3/31/17		
SHEET SIZE   D		CHECKED: _____ DATE: _____		
No. OF SHEETS _____		APPROVED: _____ DATE: _____		
SHEET No. _____		PART No. PL-TPOST6IN-BK		



Ø.9595 [Ø24.37]

Ø.500 [12.70]

Ø1.000 [Ø25.40]

Ø.497 [12.61]

Ø.9595 [Ø24.37]

M6-1x8mm LG. HALF DOG  
18-8 STAINLESS S.H.S.S.  
(1) SUPPLIED

1.45 [36.76] (APPROX WHEN RET.)  
7.45 [189.16] (APPROX WHEN EXT.)

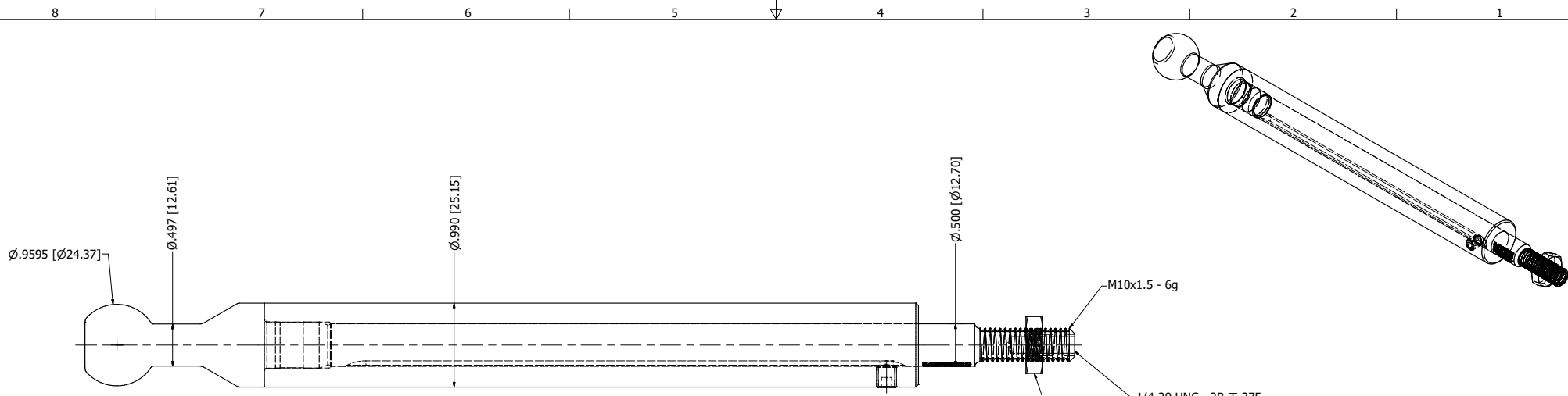
9.414 [239.13]

9.789 [248.65]

TOTAL ASSEMBLED WEIGHT  
0 lbs. 11.6 ozs.

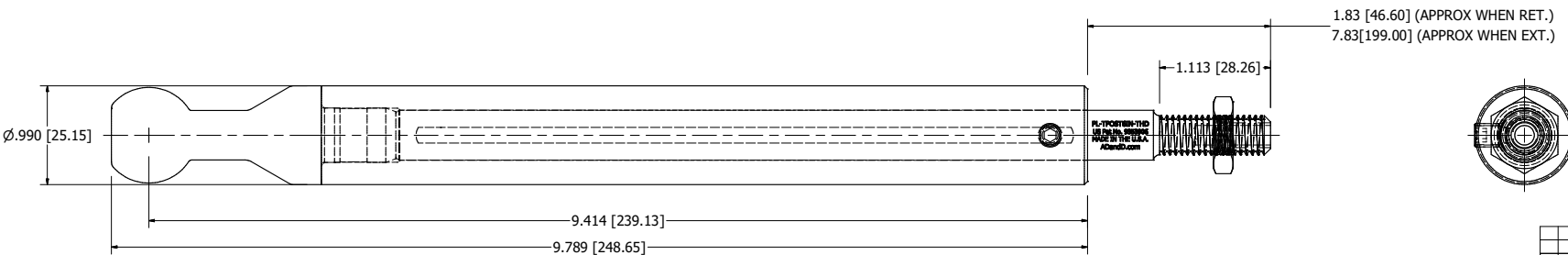
MATERIAL:  
PATENT PENDING  
BREAK ALL SHARP CORNERS  
MARK DETAILS WITH PART No.  
UNLESS OTHERWISE SPECIFIED  
STANDARD TOLERANCE  
UNLESS OTHERWISE SPECIFIED  
2 PLACE DEC. ± .03  
3 PLACE DEC. ± .005  
4 PLACE DEC. ± .0005  
ANGLES ± 1°

REV	DESCRIPTION	DATE	DWN	CHK
REVISIONS				
ADandD.com				
DESCRIPTION				
<b>AD&amp;D SPHERICAL PRODUCTS</b>				
<b>POP-LINK™ / 6" BALL END TELESCOPIC POST</b>				
SCALE: FULL		DRAWN: BIDDINGER DATE 3/31/17		
SHEET SIZE   D		CHECKED: _____ DATE: _____		
No. OF SHEETS _____		APPROVED: _____ DATE: _____		
SHEET No. _____		PART No. PL-TPOST6IN-BL		



M6-1x8mm LG. HALF DOG  
18-8 STAINLESS S.H.S.S.  
(1) SUPPLIED

M10x1.5 THD HEX JAM NUT  
18-8 STAINLESS (1) SUPPLIED



TOTAL ASSEMBLED WEIGHT  
0 lbs. 11.26 ozs.

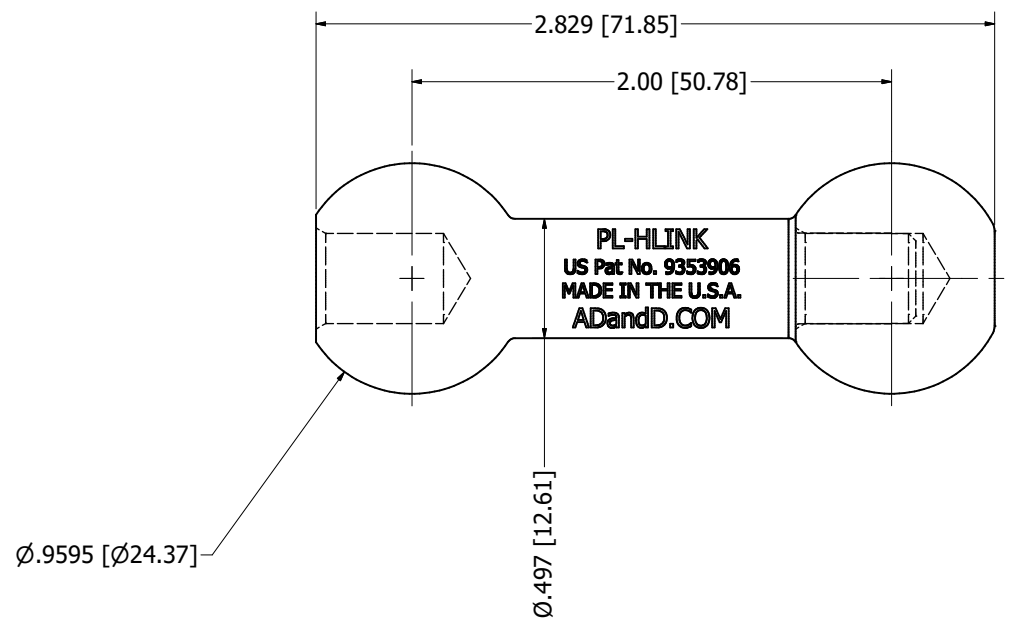
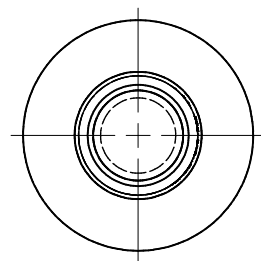
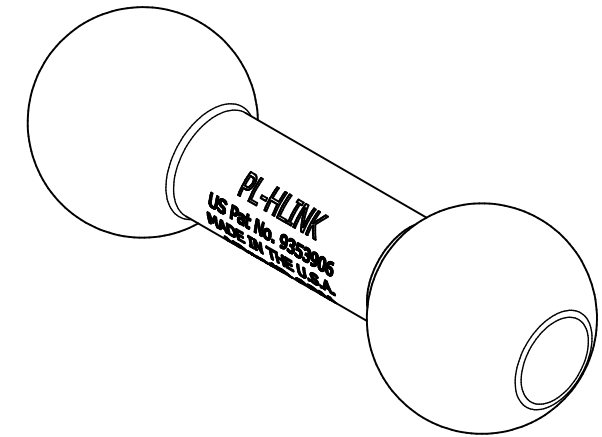
MATERIAL:  
PATENT PENDING  
BREAK ALL SHARP CORNERS  
MARK DETAILS WITH PART No.  
UNLESS OTHERWISE SPECIFIED  
STANDARD TOLERANCE  
UNLESS OTHERWISE SPECIFIED  
2 PLACE DEC. ± .03  
3 PLACE DEC. ± .005  
4 PLACE DEC. ± .0005  
ANGLES ± 1'

REV	DESCRIPTION	DATE	DRN	CHK
	REVISIONS			




DESCRIPTION  
**PL-TPOST6IN-THD**  
SCALE: FULL DRAWN, BIDDING DATE 3/31/17  
SHEET SIZE | D CHECKED \_\_\_\_\_ DATE \_\_\_\_\_  
APPROVED \_\_\_\_\_ DATE \_\_\_\_\_  
No. OF SHEETS \_\_\_\_\_ PART No. PL-TPOST6IN-THD  
SHEET No. \_\_\_\_\_

8 7 6 5 4 3 2 1



REV	DESCRIPTION	DATE	DWN	CHK

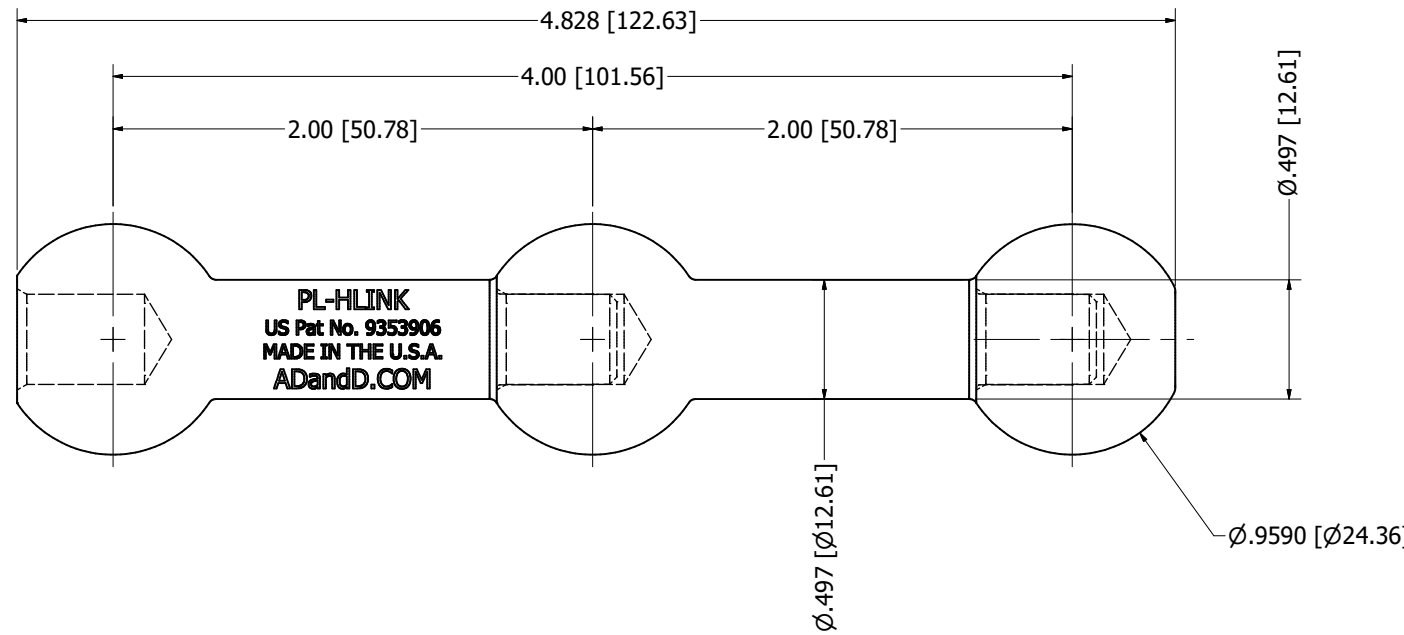
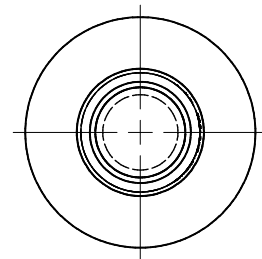
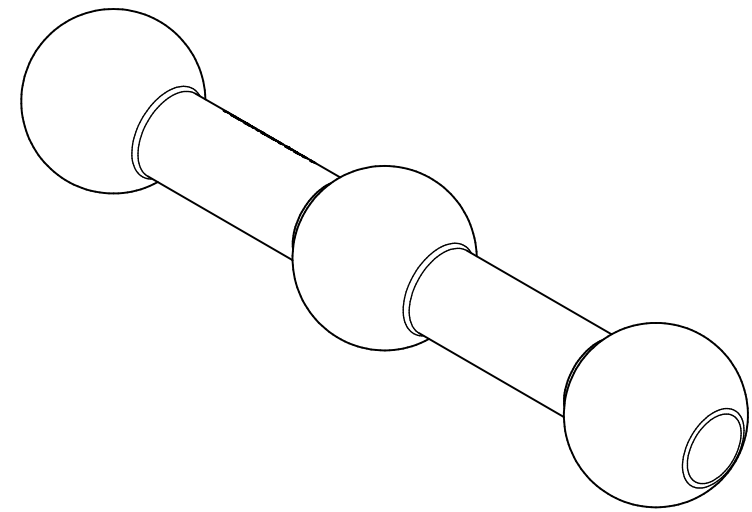
MATERIAL:  
 PATENT PENDING  
 BREAK ALL SHARP CORNERS  
 MARK DETAILS WITH PART No.  
 UNLESS OTHERWISE SPECIFIED  
 STANDARD TOLERANCE  
 UNLESS OTHERWISE SPECIFIED  
 2 PLACE DEC.  $\pm .03$   
 3 PLACE DEC.  $\pm .005$   
 4 PLACE DEC.  $\pm .0005$   
 ANGLES  $\pm 1'$

	
DESCRIPTION <b>AD&amp;D SPHERICAL PRODUCTS</b> <b>POP-LINK™ / 2" HYPERLINK</b>	
SCALE: FULL	DRAWN: BIDDINGER DATE 3/31/17
SHEET SIZE   D	CHECKED: _____ DATE _____
No. OF SHEETS _____	APPROVED: _____ DATE _____
SHEET No. _____	PART No. <b>PL-HLINK2IN</b>

TOTAL ASSEMBLED WEIGHT  
 0 lbs. 1.5 ozs.

8 7 6 5 4 3 2 1

8 7 6 5 4 3 2 1



TOTAL ASSEMBLED WEIGHT  
0 lbs. 2.4 ozs.

MATERIAL:  
PATENT PENDING  
BREAK ALL SHARP CORNERS  
MARK DETAILS WITH PART No.  
UNLESS OTHERWISE SPECIFIED  
STANDARD TOLERANCE  
UNLESS OTHERWISE SPECIFIED  
2 PLACE DEC. ± .03  
3 PLACE DEC. ± .005  
4 PLACE DEC. ± .0005  
ANGLES ± 1'

REV	DESCRIPTION	DATE	DWN	CHK

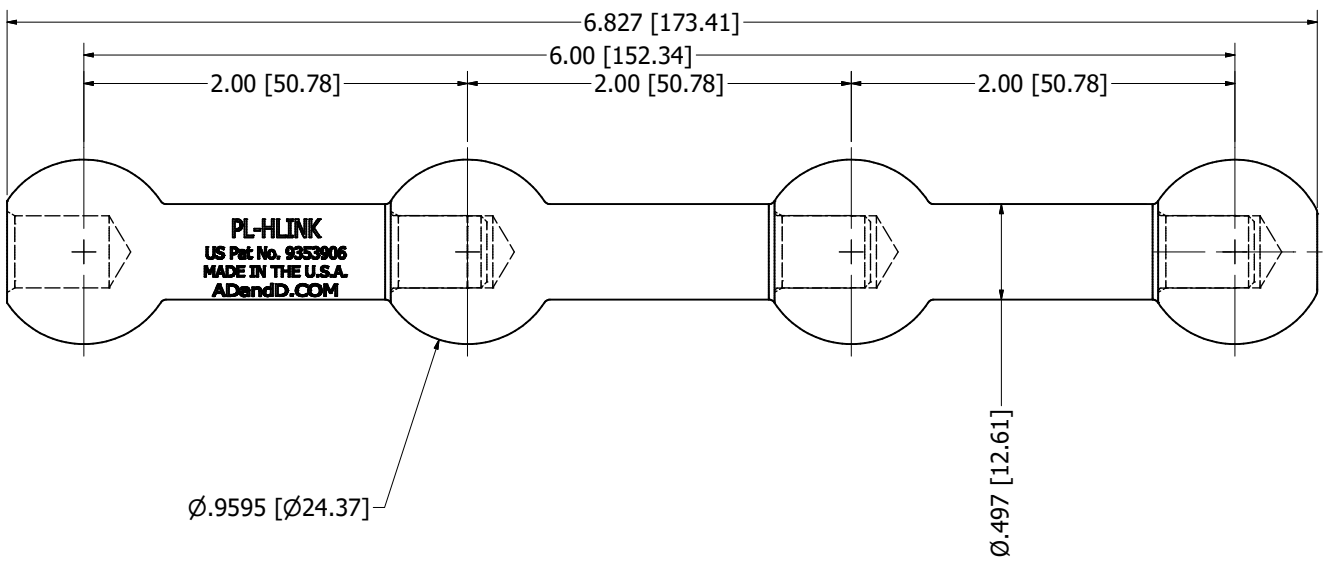
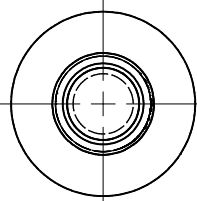
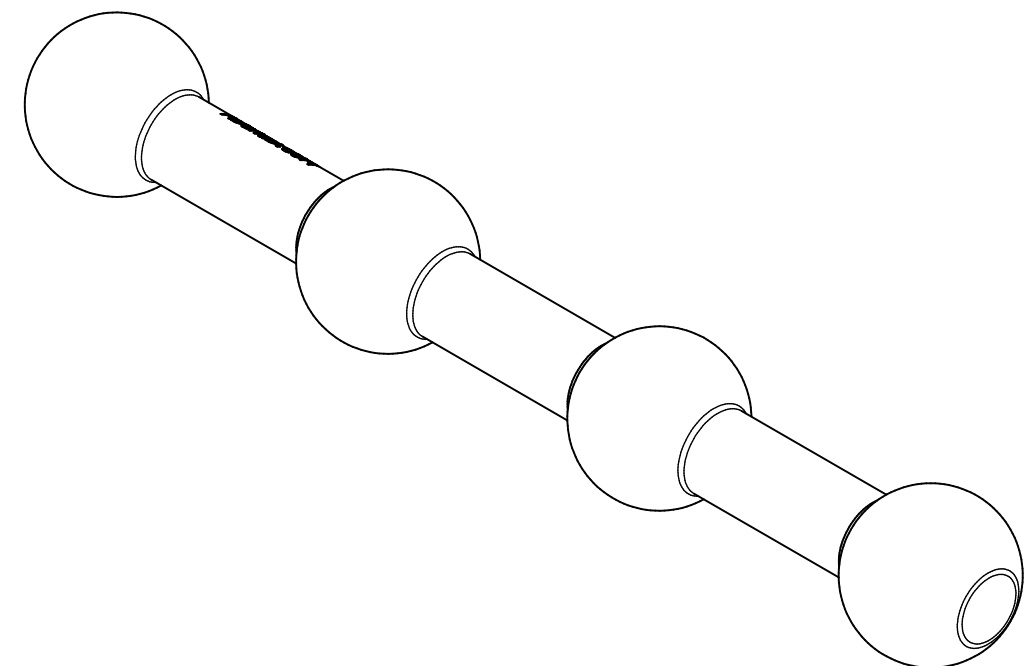


DESCRIPTION  
**AD&D SPHERICAL PRODUCTS  
POP-LINK™/ 4" HYPERLINK**

SCALE: FULL DRAWN: BIDDING DATE 3/31/17  
SHEET SIZE | D CHECKED: DATE  
APPROVED: DATE  
No. OF SHEETS PART No. PL-HLINK4IN  
SHEET No.

8 7 6 5 4 3 2 1

8 7 6 5 4 3 2 1



**PL-HLINK**  
 US Pat No. 9353906  
 MADE IN THE U.S.A.  
 ADandD.COM

REV	DESCRIPTION	DATE	DWN	CHK



**MATERIAL:**

PATENT PENDING

BREAK ALL SHARP CORNERS  
 MARK DETAILS WITH PART No.  
 UNLESS OTHERWISE SPECIFIED

STANDARD TOLERANCE  
 UNLESS OTHERWISE SPECIFIED

2 PLACE DEC.  $\pm .03$   
 3 PLACE DEC.  $\pm .005$   
 4 PLACE DEC.  $\pm .0005$   
 ANGLES  $\pm 1'$

DESCRIPTION  
**AD&D SPHERICAL PRODUCTS  
 POP-LINK™/ 6" HYPERLINK**

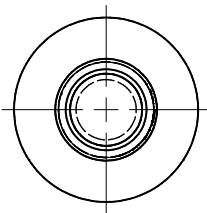
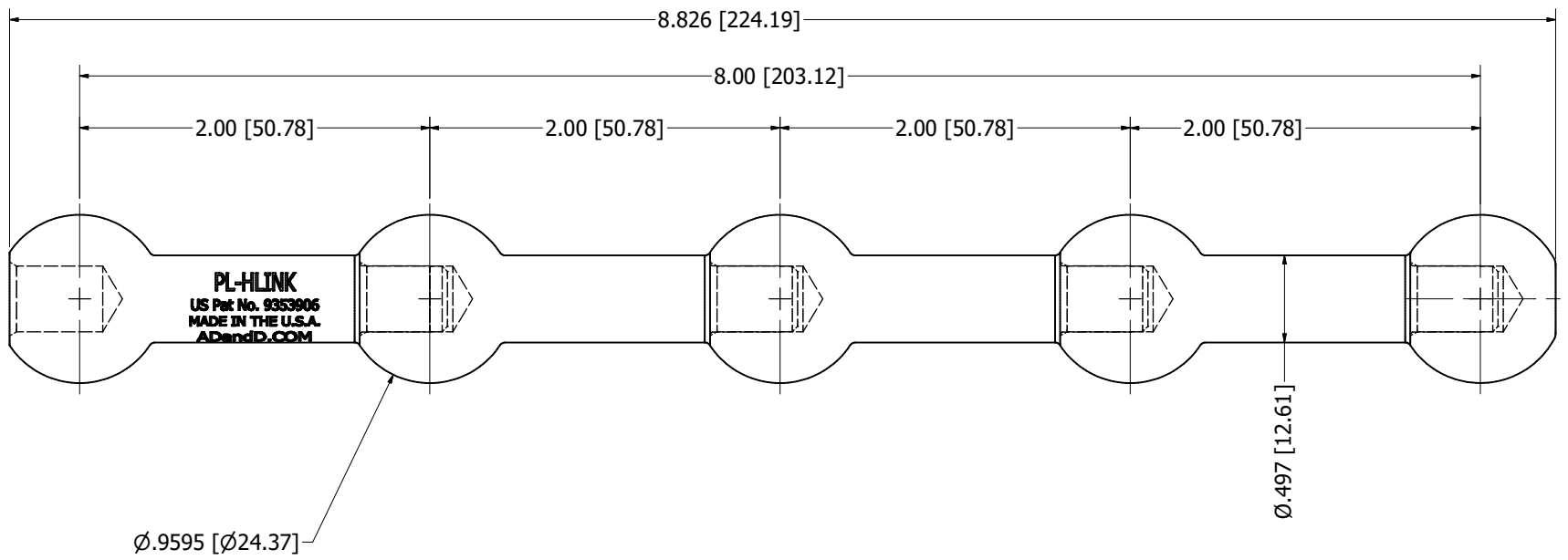
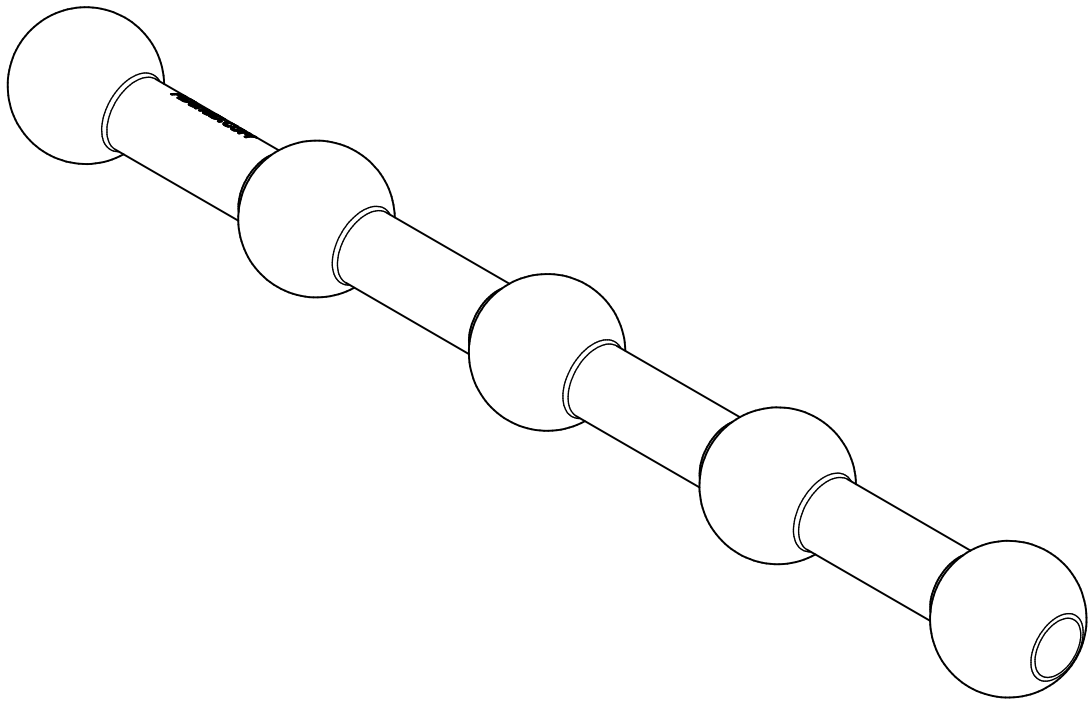
SCALE: FULL DRAWND. BIDDINGER DATE 3/31/17  
 SHEET SIZE | D CHECKED \_\_\_\_\_ DATE \_\_\_\_\_  
 APPROVED \_\_\_\_\_ DATE \_\_\_\_\_

No. OF SHEETS \_\_\_\_\_ PART No. **PL-HLINK6IN**  
 SHEET No. \_\_\_\_\_

TOTAL ASSEMBLED WEIGHT  
 0 lbs. 3.3 ozs.


8 7 6 5 4 3 2 1

8 7 6 5 4 3 2 1



TOTAL ASSEMBLED WEIGHT  
0 lbs. 4.2 ozs.

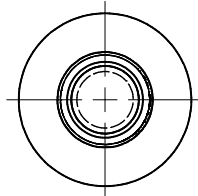
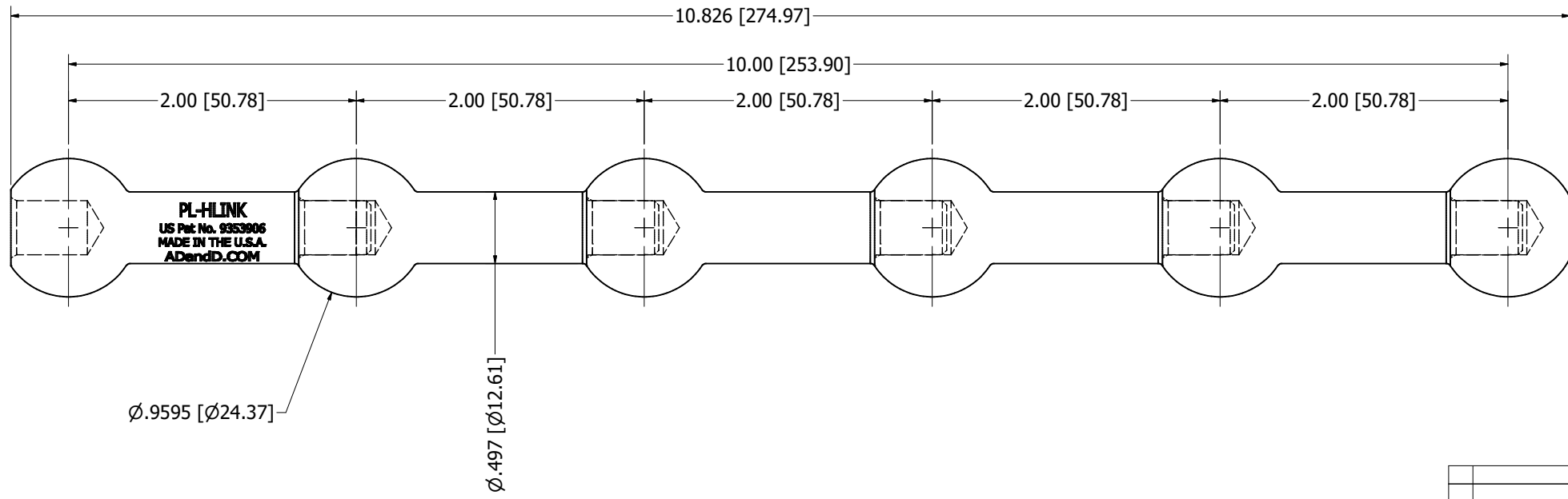
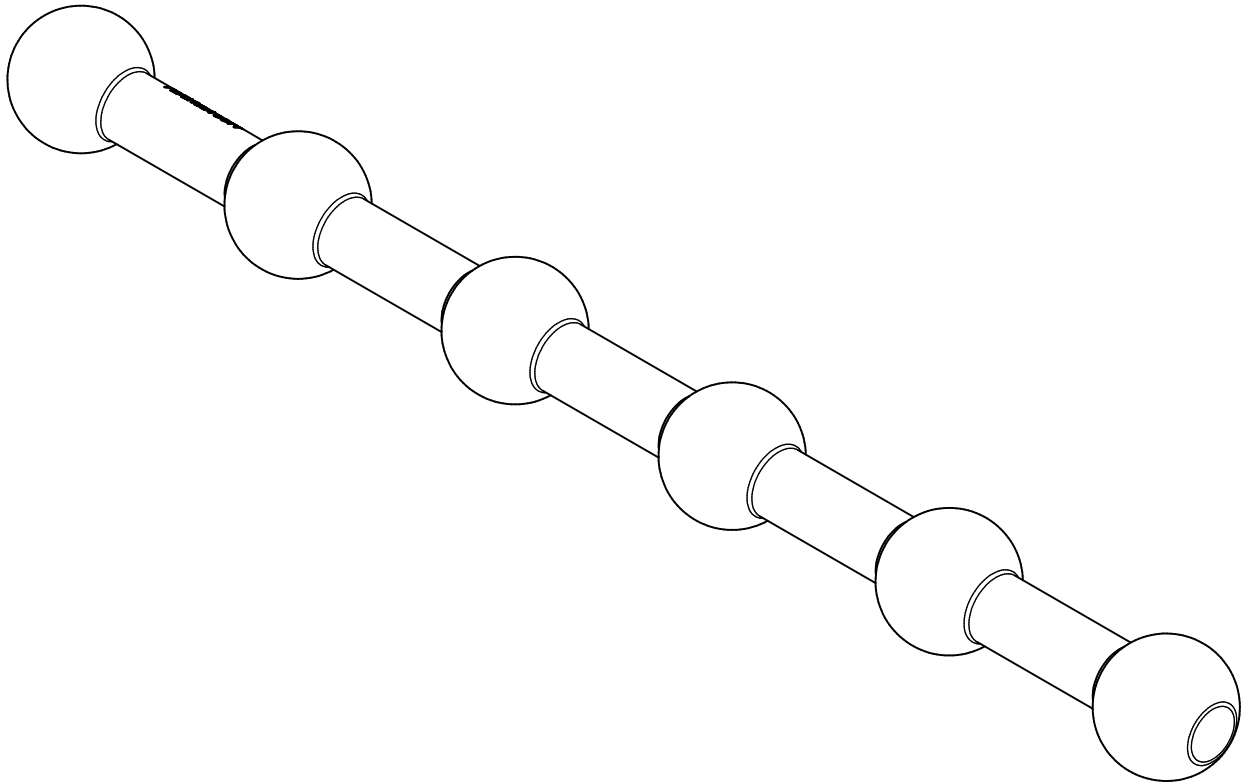
MATERIAL:  
PATENT PENDING  
BREAK ALL SHARP CORNERS  
MARK DETAILS WITH PART No.  
UNLESS OTHERWISE SPECIFIED  
STANDARD TOLERANCE  
UNLESS OTHERWISE SPECIFIED  
2 PLACE DEC. ± .03  
3 PLACE DEC. ± .005  
4 PLACE DEC. ± .0005  
ANGLES ± 1°

REV	DESCRIPTION	DATE	DWN	CHK
REVISIONS				
				
DESCRIPTION <b>AD&amp;D SPHERICAL PRODUCTS</b> <b>POP-LINK™ / 8" HYPERLINK</b>				
SCALE: FULL		DRAWN: BIDDINGER DATE 3/31/17		
SHEET SIZE   D		CHECKED: _____ DATE: _____		
No. OF SHEETS _____		APPROVED: _____ DATE: _____		
SHEET No. _____		PART No. <b>PL-HLINK8IN</b>		

8 7 6 5 4 3 2 1



8 7 6 5 4 3 2 1



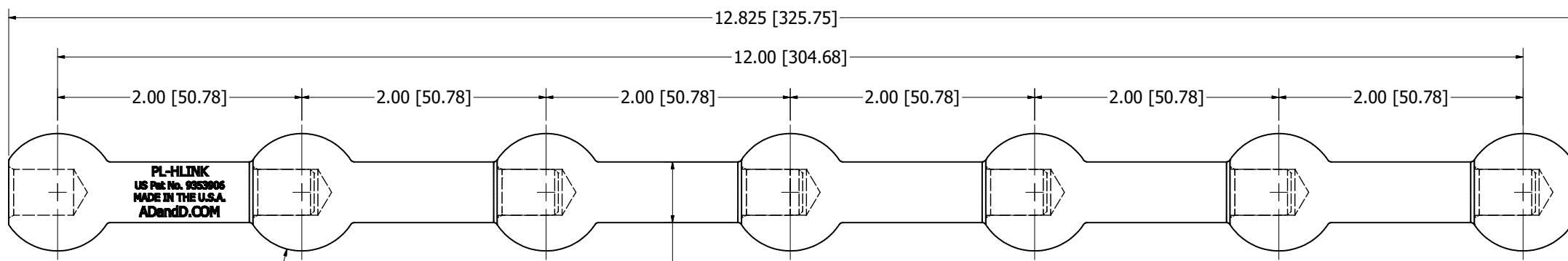
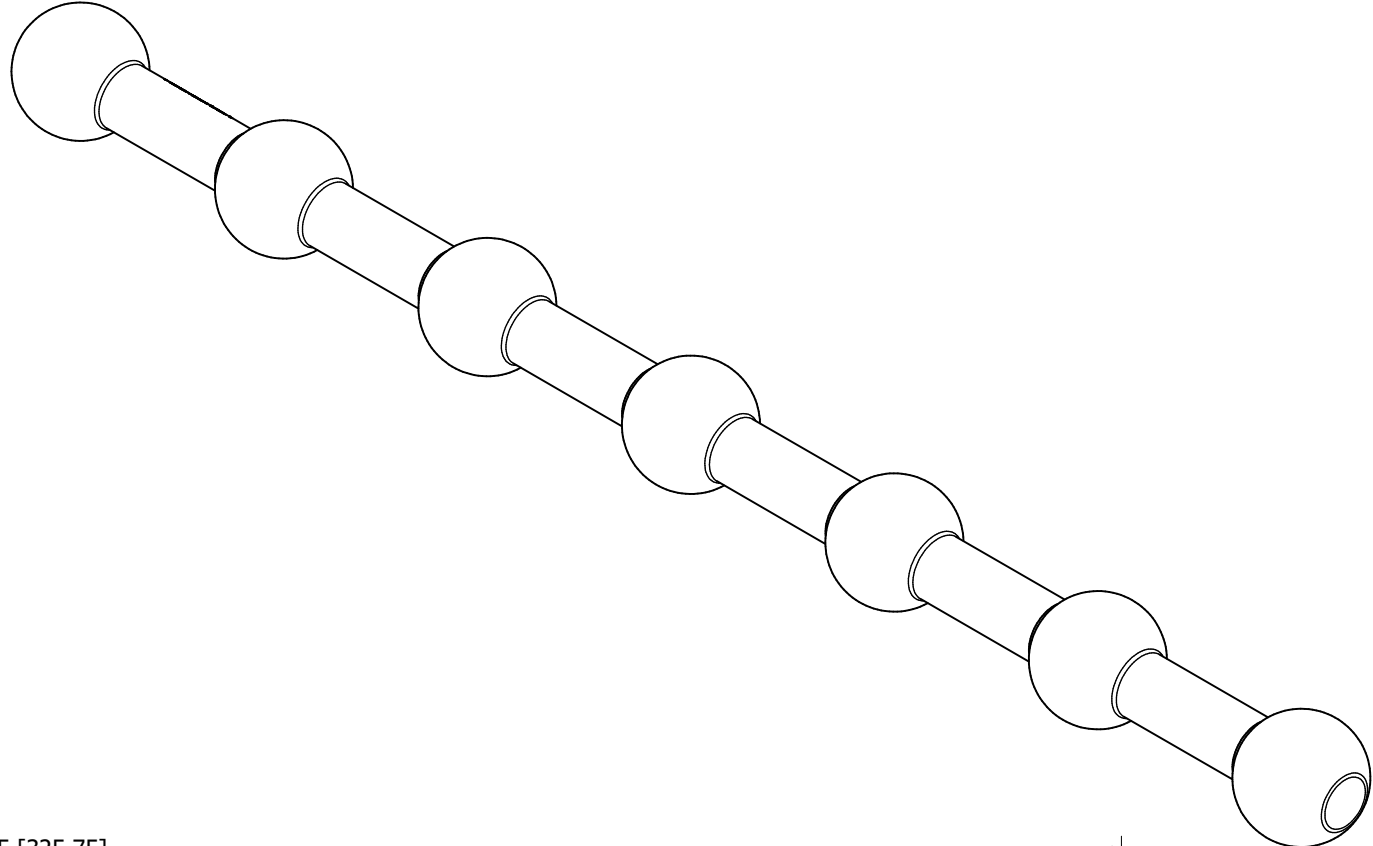
TOTAL ASSEMBLED WEIGHT  
0 lbs. 5.1 ozs.

MATERIAL:  
PATENT PENDING  
BREAK ALL SHARP CORNERS  
MARK DETAILS WITH PART No.  
UNLESS OTHERWISE SPECIFIED  
STANDARD TOLERANCE  
UNLESS OTHERWISE SPECIFIED  
2 PLACE DEC. ± .03  
3 PLACE DEC. ± .005  
4 PLACE DEC. ± .0005  
ANGLES ± 1'

REV	DESCRIPTION	DATE	DWN	CHK
REVISIONS				
ADandD.com				
DESCRIPTION <b>AD&amp;D SPHERICAL PRODUCTS POP-LINK™/ 10" HYPERLINK</b>				
SCALE: FULL		DRAWN: BIDDINGER DATE 3/31/17		
SHEET SIZE   D		CHECKED: _____ DATE: _____		
No. OF SHEETS _____		APPROVED: _____ DATE: _____		
SHEET No. _____		PART No. <b>PL-HLINK10IN</b>		

8 7 6 5 4 3 2 1

8 7 6 5 4 3 2 1

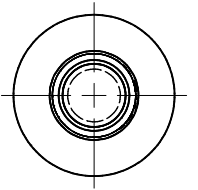


PL-HLINK  
US Pat. No. 9353906  
MADE IN THE U.S.A.  
ADandD.COM

Ø.9595 [Ø24.37]


Ø.497 [Ø12.61]

12.825 [325.75]  
12.00 [304.68]  
2.00 [50.78] 2.00 [50.78] 2.00 [50.78] 2.00 [50.78] 2.00 [50.78] 2.00 [50.78]

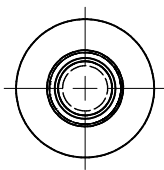
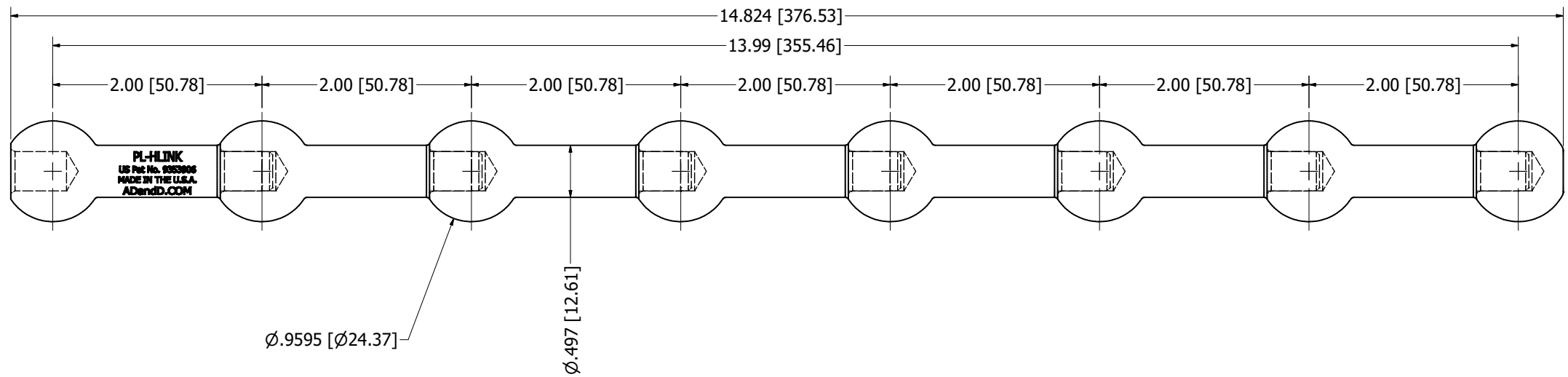
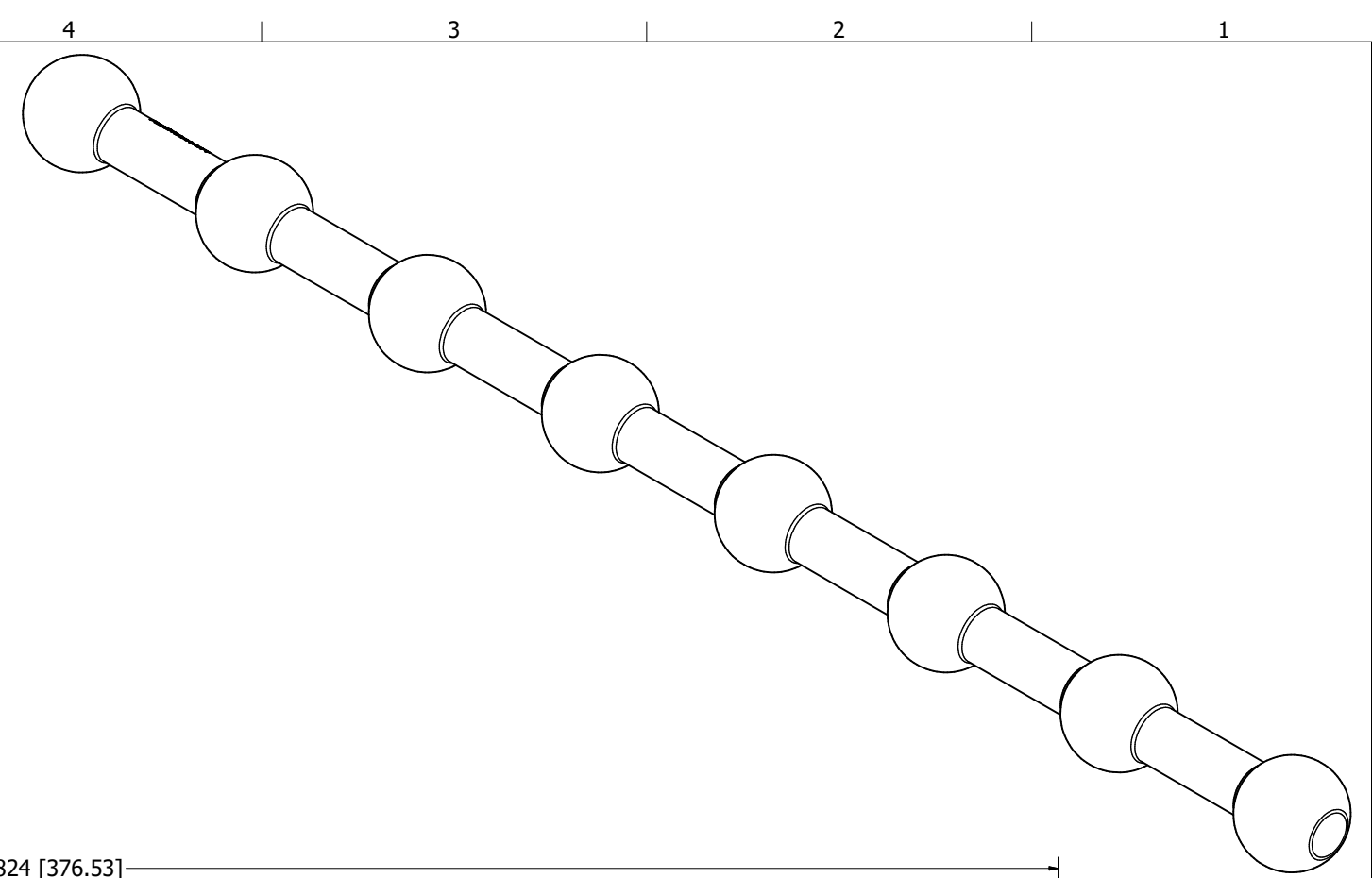


TOTAL ASSEMBLED WEIGHT  
0 lbs. 6 ozs.

MATERIAL:  
PATENT PENDING  
BREAK ALL SHARP CORNERS  
MARK DETAILS WITH PART No.  
UNLESS OTHERWISE SPECIFIED  
STANDARD TOLERANCE  
UNLESS OTHERWISE SPECIFIED  
2 PLACE DEC. ± .03  
3 PLACE DEC. ± .005  
4 PLACE DEC. ± .0005  
ANGLES ± 1'

REV	DESCRIPTION	DATE	DWN	CHK
REVISIONS				
				
DESCRIPTION <b>AD&amp;D SPHERICAL PRODUCTS</b> <b>POP-LINK™/ 12" HYPERLINK</b>				
SCALE: FULL		DRAWN: BIDDINGER DATE 3/31/17		
SHEET SIZE   D		CHECKED: _____ DATE _____		
No. OF SHEETS _____		APPROVED: _____ DATE _____		
SHEET No. _____		PART No. <b>PL-HLINK12IN</b>		

8 7 6 5 4 3 2 1



TOTAL ASSEMBLED WEIGHT  
0 lbs. 6.9 ozs.

MATERIAL:  
PATENT PENDING  
BREAK ALL SHARP CORNERS  
MARK DETAILS WITH PART No.  
UNLESS OTHERWISE SPECIFIED  
STANDARD TOLERANCE  
UNLESS OTHERWISE SPECIFIED  
2 PLACE DEC. ± .03  
3 PLACE DEC. ± .005  
4 PLACE DEC. ± .0005  
ANGLES ± 1'

REV	DESCRIPTION	DATE	DWN	CHK
REVISIONS				
ADandD.com				
DESCRIPTION <b>AD&amp;D SPHERICAL PRODUCTS POP-LINK™/ 14" HYPERLINK</b>				
SCALE: FULL		DRAWN: BIDDINGER DATE 3/31/17		
SHEET SIZE   D		CHECKED: _____ DATE: _____		
No. OF SHEETS _____		APPROVED: _____ DATE: _____		
SHEET No. _____		PART No. <b>PL-HLINK14IN</b>		

8 | 7 | 6 | 5 | 4 | 3 | 2 | 1

D

D

C

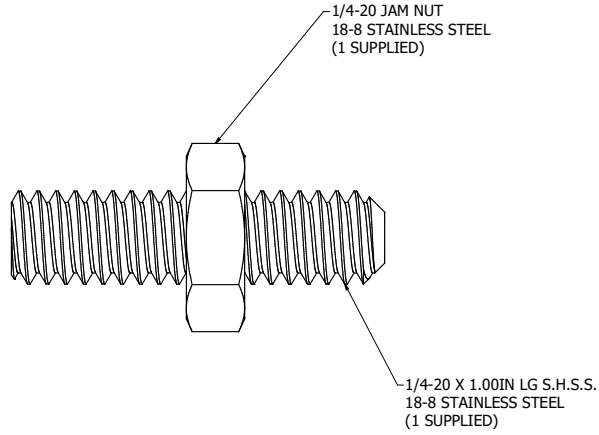
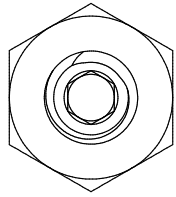
C

B

B

A

A




1/4-20 JAM NUT  
18-8 STAINLESS STEEL  
(1 SUPPLIED)

1/4-20 X 1.00IN LG S.H.S.S.  
18-8 STAINLESS STEEL  
(1 SUPPLIED)

REV	DESCRIPTION	DATE	DRN	CHK

**MATERIAL:**  
PATENT PENDING  
BREAK ALL SHARP CORNERS  
MARK DETAILS WITH PART No.  
UNLESS OTHERWISE SPECIFIED  
**STANDARD TOLERANCE**  
UNLESS OTHERWISE SPECIFIED  
2 PLACE DEC. ± .03  
3 PLACE DEC. ± .005  
4 PLACE DEC. ± .0005  
ANGLES ± 1'

	
<b>DESCRIPTION</b>	
<b>PL-FK14-20</b>	
SCALE: FULL	DRAWN: BIDDING DATE 3/31/17
SHEET SIZE   D	CHECKED: _____ DATE _____
No. OF SHEETS _____	APPROVED: _____ DATE _____
SHEET No. _____	PART No. <b>PL-FK14-20</b>

8 | 7 | 6 | 5 | 4 | 3 | 2 | 1

8 7 6 5 4 3 2 1

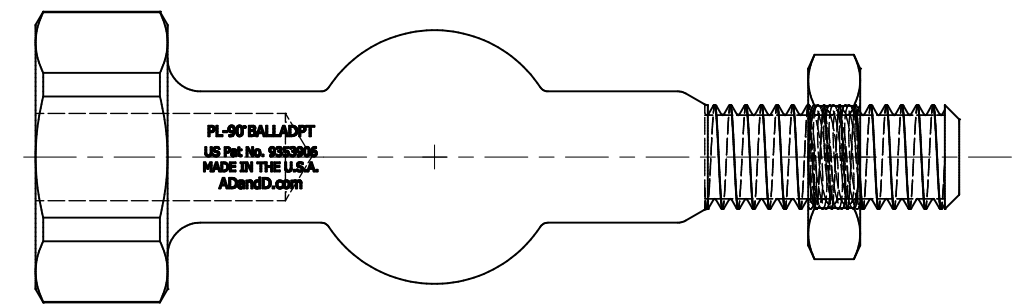
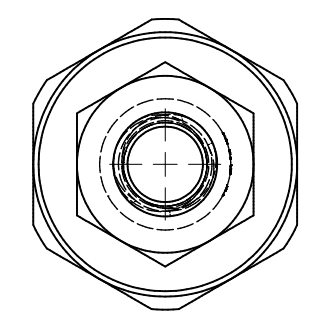
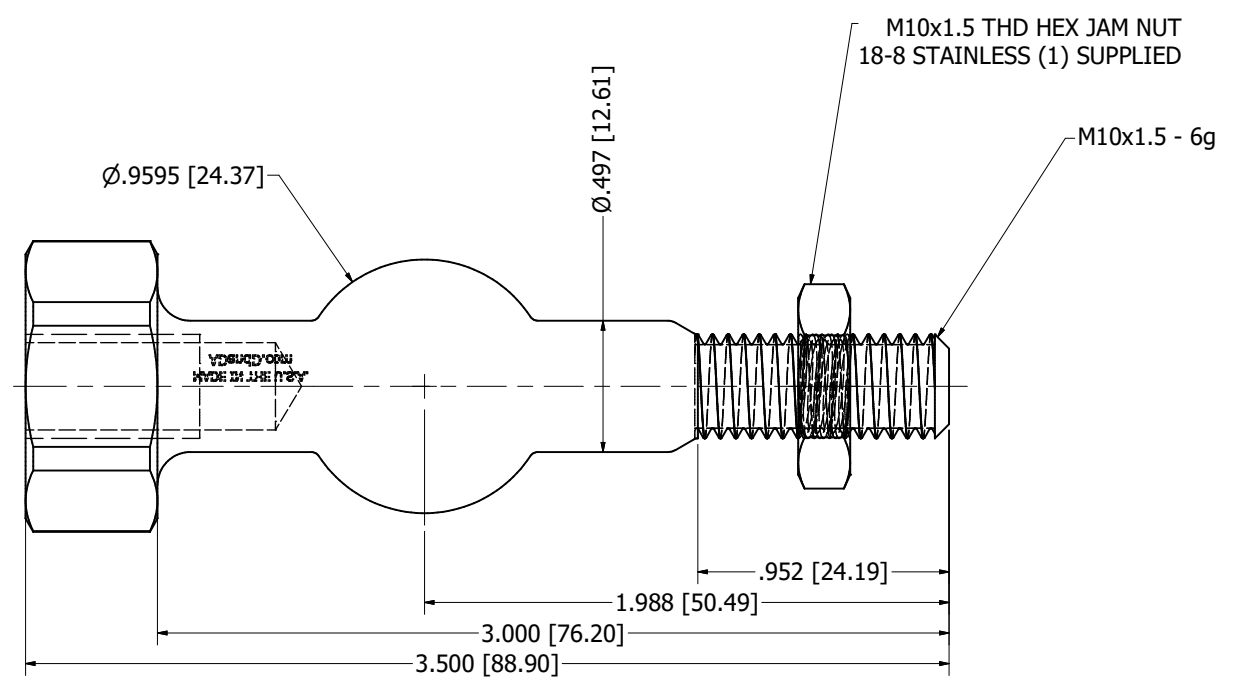
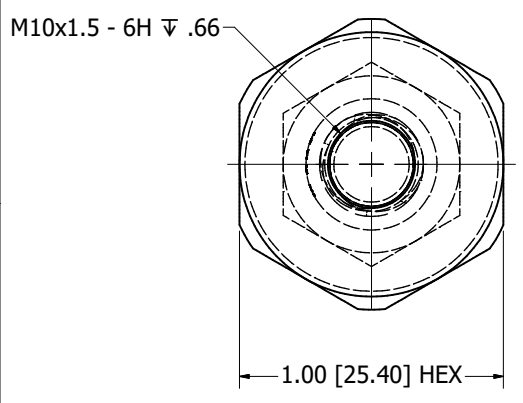
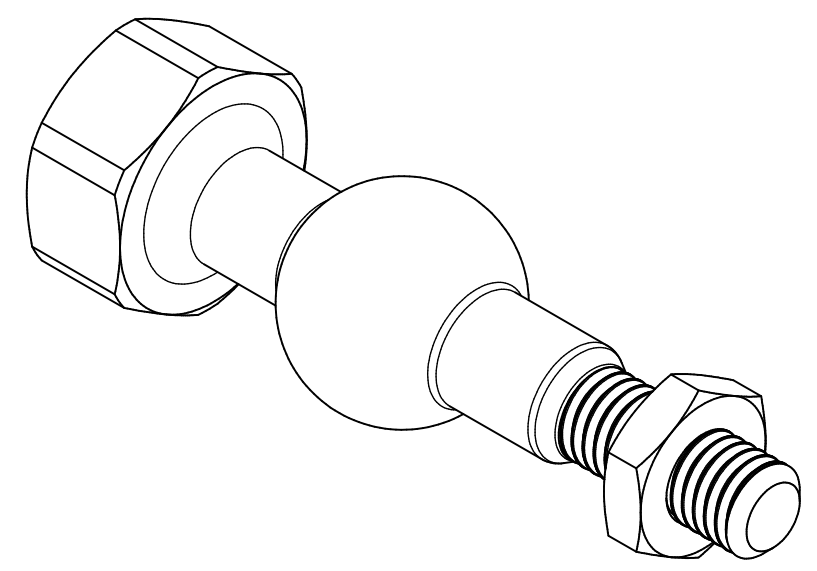
D

C

B

A

8 7 6 5 4 3 2 1



M10x1.5 THD HEX JAM NUT  
18-8 STAINLESS (1) SUPPLIED

M10x1.5 - 6g

∅.9595 [24.37]

∅.497 [12.61]

3.000 [76.20]

1.988 [50.49]

.952 [24.19]

3.500 [88.90]

PL-90°BALLADPT  
US Pat No. 9363206  
MADE IN THE U.S.A.  
ADandD.com

TOTAL ASSEMBLED WEIGHT  
0 lbs. 1.91 ozs.

MATERIAL:  
PATENT PENDING  
BREAK ALL SHARP CORNERS  
MARK DETAILS WITH PART No.  
UNLESS OTHERWISE SPECIFIED  
STANDARD TOLERANCE  
UNLESS OTHERWISE SPECIFIED  
2 PLACE DEC. ± .03  
3 PLACE DEC. ± .005  
4 PLACE DEC. ± .0005  
ANGLES ± 1°

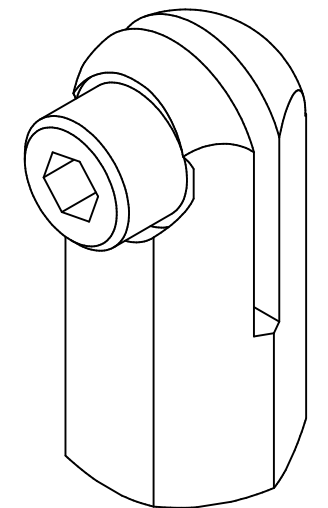
REV	DESCRIPTION	DATE	DWN	CHK



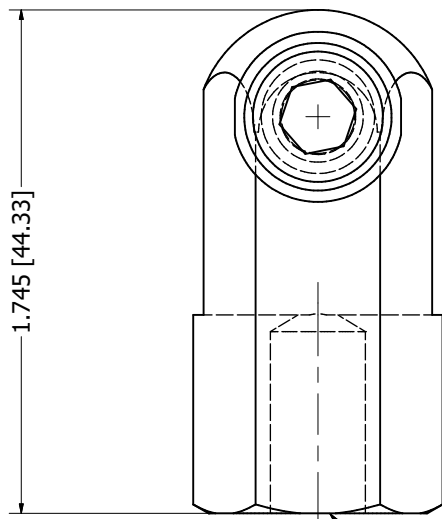
DESCRIPTION  
**AD&D SPHERICAL PRODUCTS  
POP-LINK™ / 90° BALL ADAPTER**

SCALE: FULL DRAWN: BIDDINGER DATE 3/31/17  
SHEET SIZE | D CHECKED: DATE  
APPROVED: DATE  
No. OF SHEETS PART No. PL-90°BALLADPT  
SHEET No.

8 7 6 5 4 3 2 1

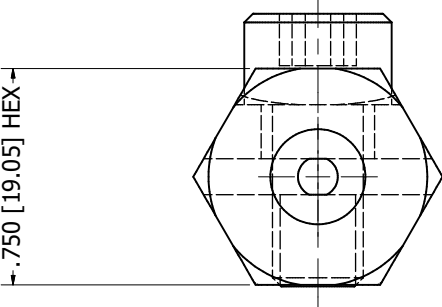
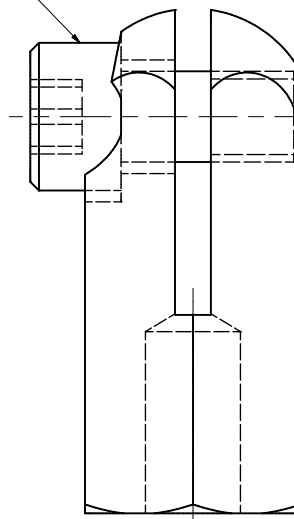


M8x1.25 X 16MM LG SHCS  
(1) SUPPLIED



1.745 [44.33]

M10x1.5 - 6H  $\nabla$  .52



.750 [19.05] HEX

TOTAL ASSEMBLED WEIGHT  
0 lbs. 1.25 ozs.

8 7 6 5 4 3 2 1

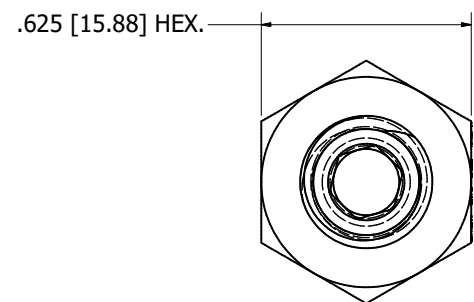
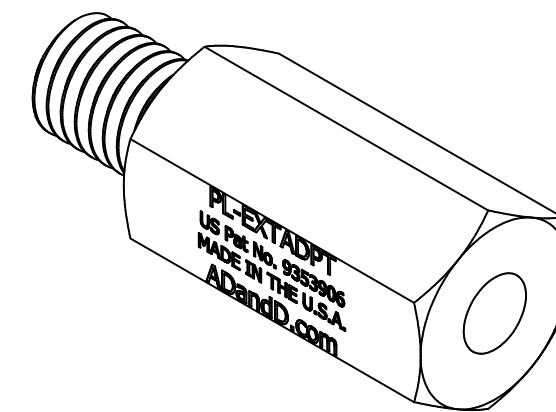
MATERIAL:  
PATENT PENDING  
BREAK ALL SHARP CORNERS  
MARK DETAILS WITH PART No.  
UNLESS OTHERWISE SPECIFIED  
STANDARD TOLERANCE  
UNLESS OTHERWISE SPECIFIED  
2 PLACE DEC.  $\pm$  .03  
3 PLACE DEC.  $\pm$  .005  
4 PLACE DEC.  $\pm$  .0005  
ANGLES  $\pm$  1'

REV	DESCRIPTION	DATE	DWN	CHK

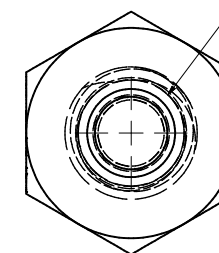
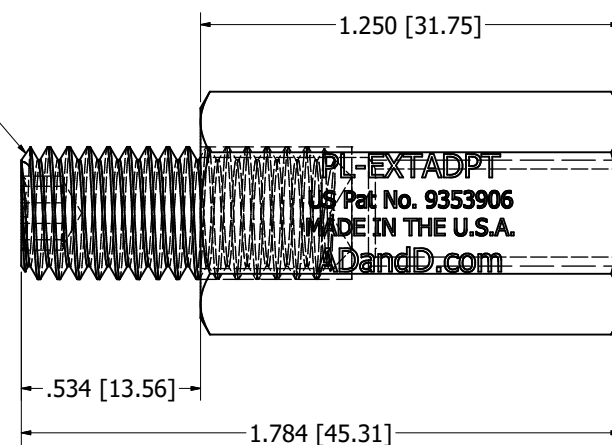


DESCRIPTION  
**AD&D SPHERICAL PRODUCTS  
POP-LINK™ / BRACKET ADAPTER**  
SCALE: FULL DRAWN: BIDDINGER DATE 3/31/17  
SHEET SIZE | D CHECKED \_\_\_\_\_ DATE \_\_\_\_\_  
APPROVED \_\_\_\_\_ DATE \_\_\_\_\_  
No. OF SHEETS \_\_\_\_\_ PART No. **PL-BKADPT**  
SHEET No. \_\_\_\_\_

**DO NOT USE THIS ADAPTER  
TO MOUNT CAMERA OR LIGHTING.  
ONLY USE WITH SENSOR BRACKETS**




M10x25mm LG.  
S.H.S.S. GRADE 8 (1) REQ'D  
INSTALLED FROM FACTORY



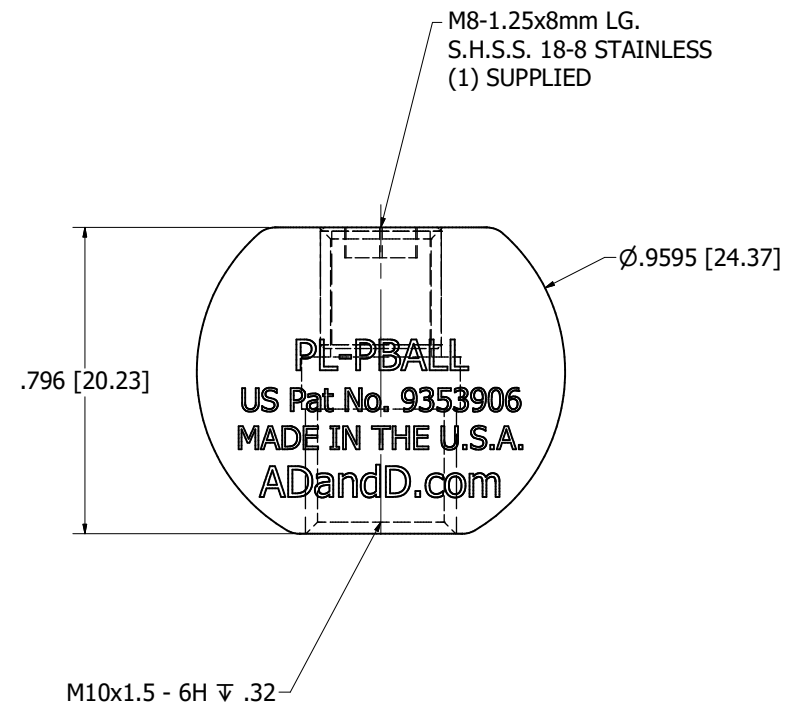
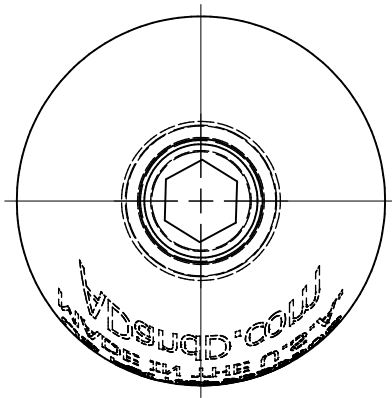
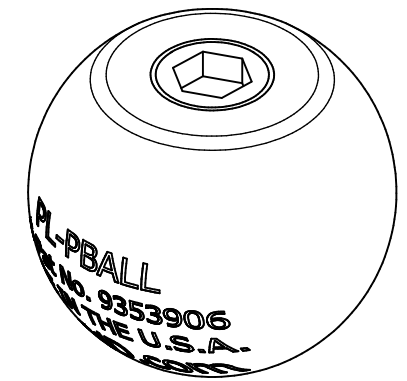
5/16-18 THD X .70 DEEP  
M8x1.25 THD X .70 DEEP  
THIS HOLE WILL ACCEPT  
EITHER SIZE ALL THREAD

TOTAL ASSEMBLED WEIGHT  
0 lbs. .85 ozs.

MATERIAL:  
PATENT PENDING  
BREAK ALL SHARP CORNERS  
MARK DETAILS WITH PART No.  
UNLESS OTHERWISE SPECIFIED  
STANDARD TOLERANCE  
UNLESS OTHERWISE SPECIFIED  
2 PLACE DEC. ± .03  
3 PLACE DEC. ± .005  
4 PLACE DEC. ± .0005  
ANGLES ± 1'

REV	DESCRIPTION	DATE	DWN	CHK
REVISIONS				
				
DESCRIPTION				
<b>AD&amp;D SPHERICAL PRODUCTS</b>				
<b>POP-LINK™ / EXTRUSION ADAPTER</b>				
SCALE: FULL		DRAWN: BIDDINGER DATE 3/31/17		
SHEET SIZE   D		CHECKED: _____ DATE: _____		
No. OF SHEETS _____		APPROVED: _____ DATE: _____		
SHEET No. _____		PART No. <b>PL-EXTADPT</b>		


8 7 6 5 4 3 2 1



TOTAL ASSEMBLED WEIGHT  
0 lbs. .64 ozs.

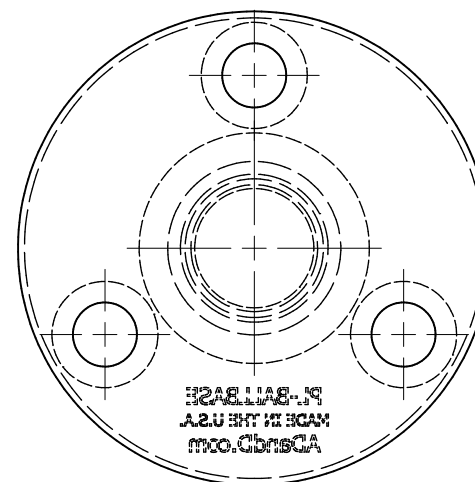
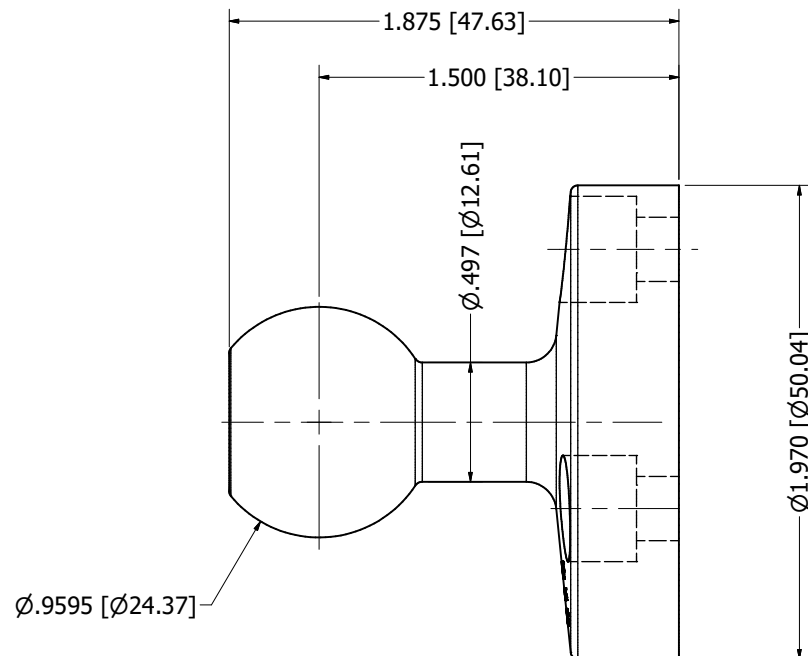
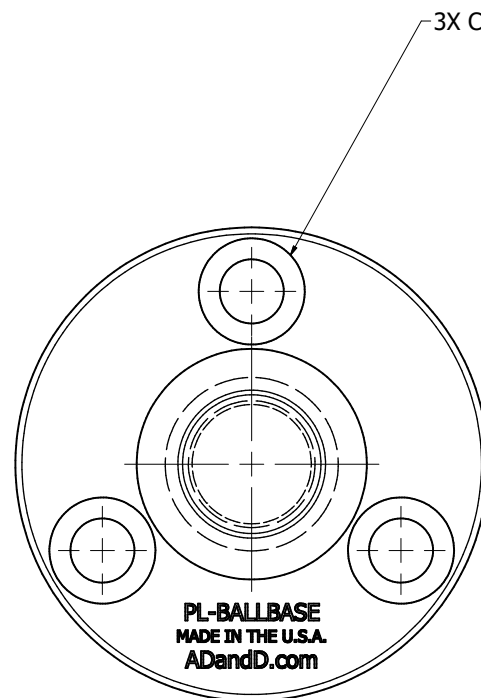
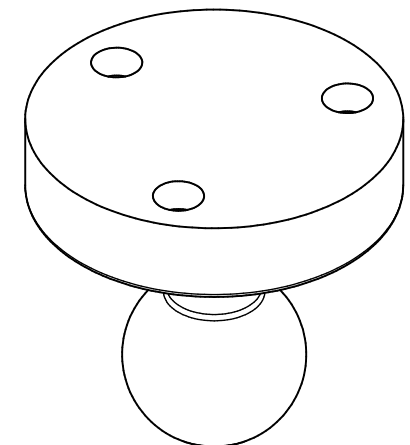
8 7 6 5 4 3 2 1

MATERIAL:  
PATENT PENDING  
BREAK ALL SHARP CORNERS  
MARK DETAILS WITH PART No.  
UNLESS OTHERWISE SPECIFIED  
STANDARD TOLERANCE  
UNLESS OTHERWISE SPECIFIED  
2 PLACE DEC.  $\pm$  .03  
3 PLACE DEC.  $\pm$  .005  
4 PLACE DEC.  $\pm$  .0005  
ANGLES  $\pm$  1'

REV	DESCRIPTION	DATE	DWN	CHK
REVISIONS				
				
DESCRIPTION <b>AD&amp;D SPHERICAL PRODUCTS</b> <b>POP-LINK™/ POWERBALL</b>				
SCALE: FULL		DRAWN: BIDDINGER DATE 3/31/17		
SHEET SIZE   D		CHECKED _____ DATE _____		
No. OF SHEETS _____		APPROVED _____ DATE _____		
SHEET No. _____		PART No. <b>PL-PBALL</b>		



8 7 6 5 4 3 2 1



REV	DESCRIPTION	DATE	DWN	CHK

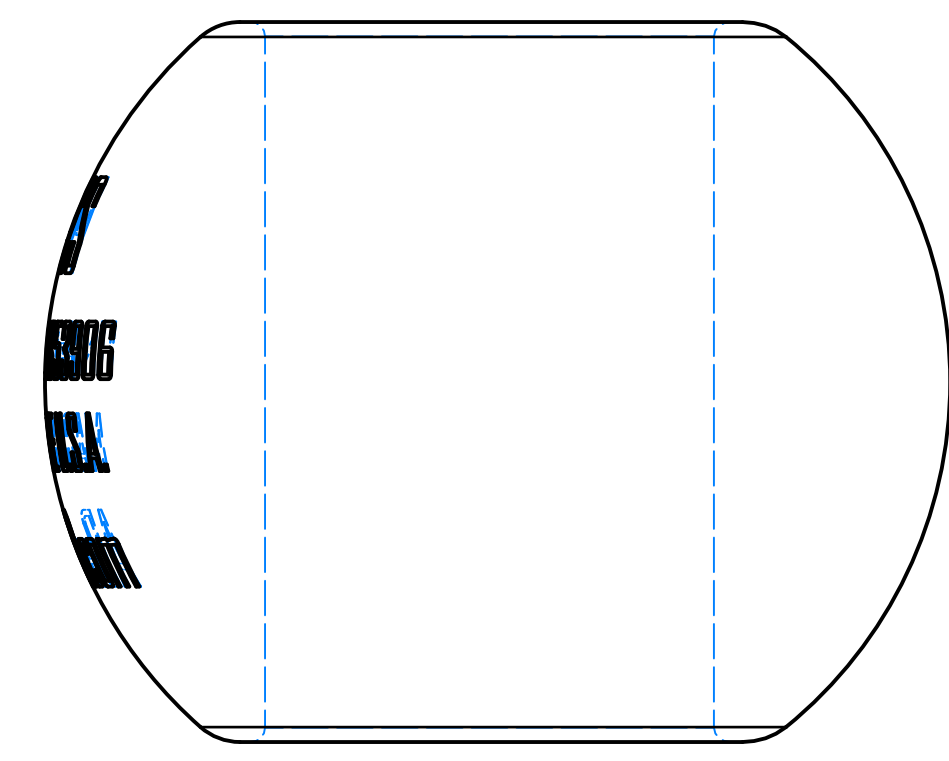
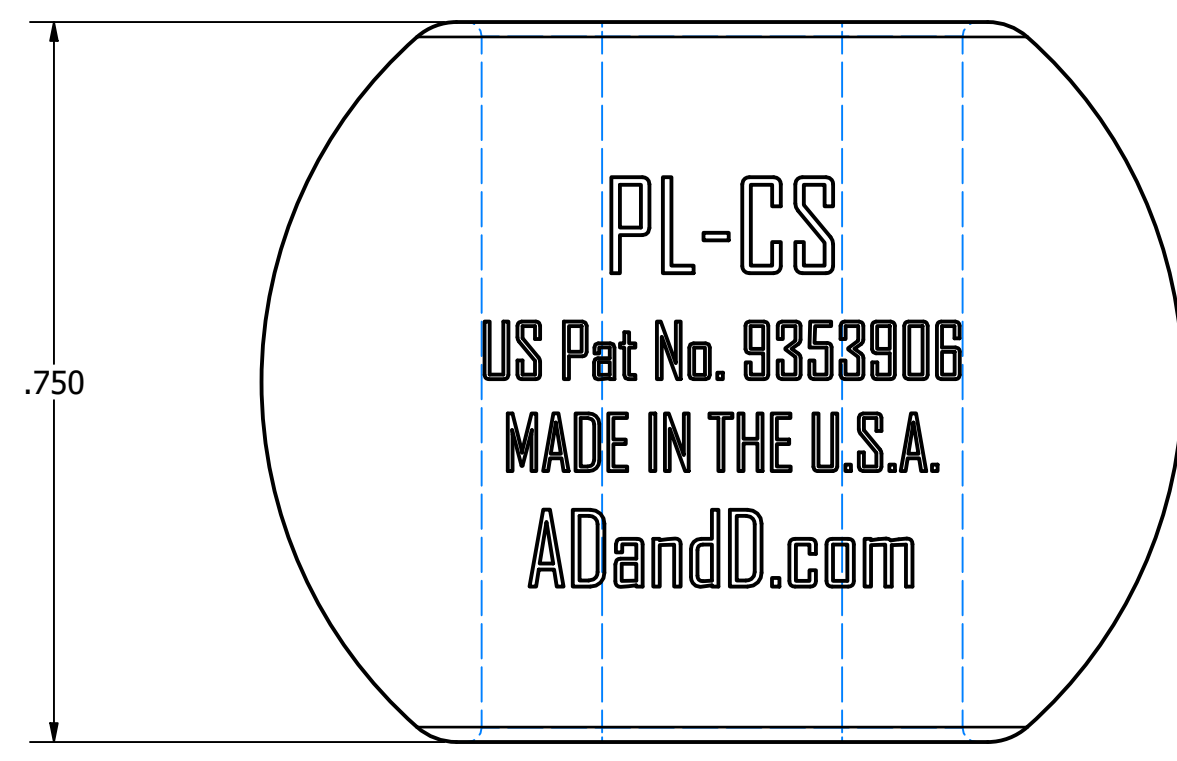
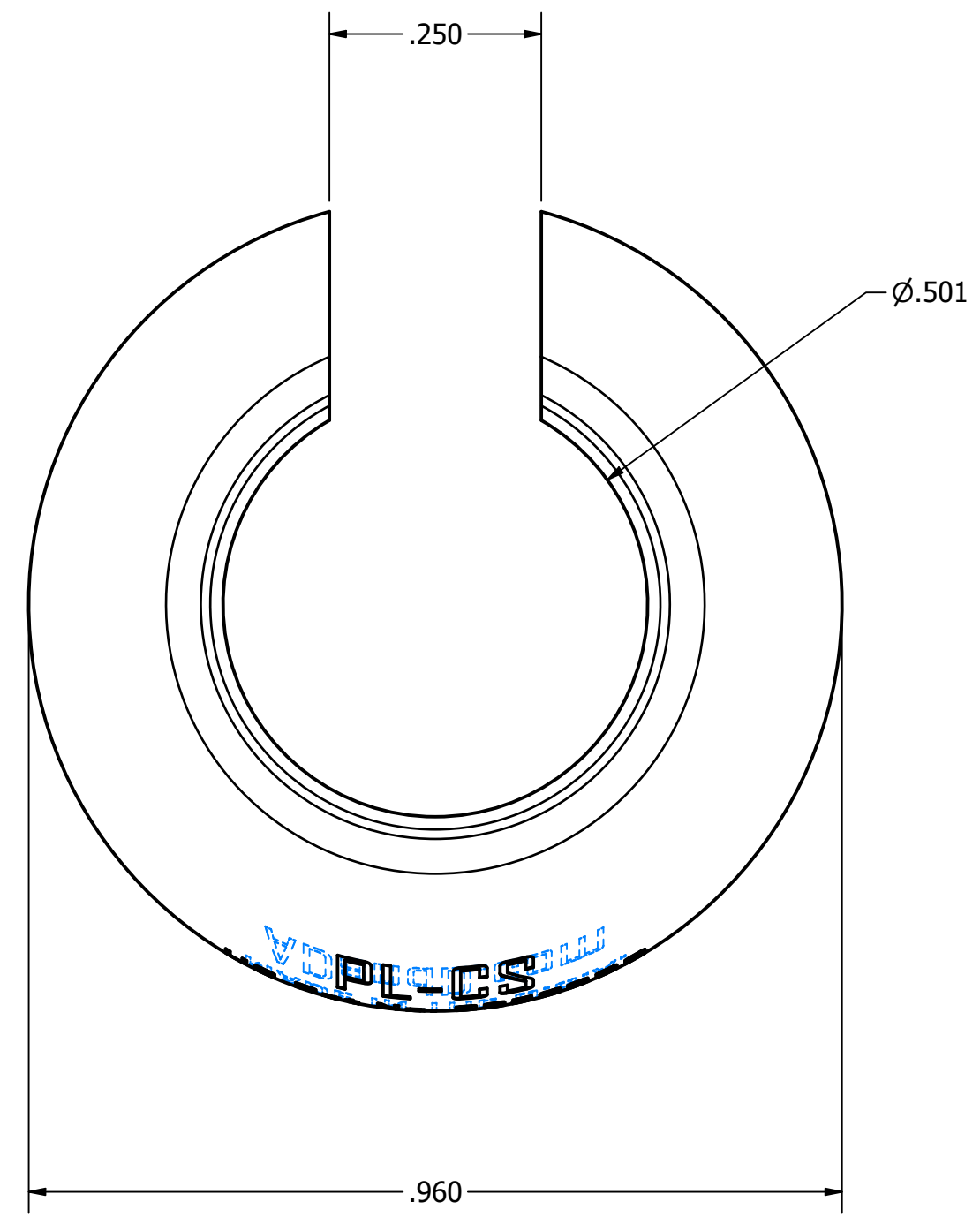
MATERIAL:  
 PATENT PENDING  
 BREAK ALL SHARP CORNERS  
 MARK DETAILS WITH PART No.  
 UNLESS OTHERWISE SPECIFIED  
 STANDARD TOLERANCE  
 UNLESS OTHERWISE SPECIFIED  
 2 PLACE DEC. ± .03  
 3 PLACE DEC. ± .005  
 4 PLACE DEC. ± .0005  
 ANGLES ± 1'

ADandD.com

**DESCRIPTION**  
**PL-BALLBASE**

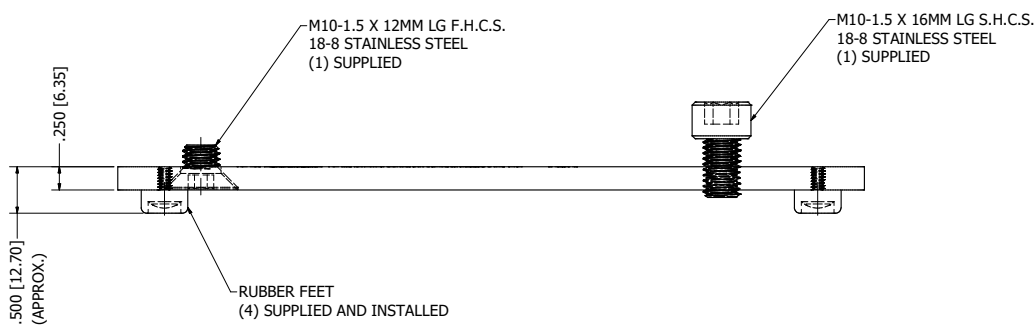
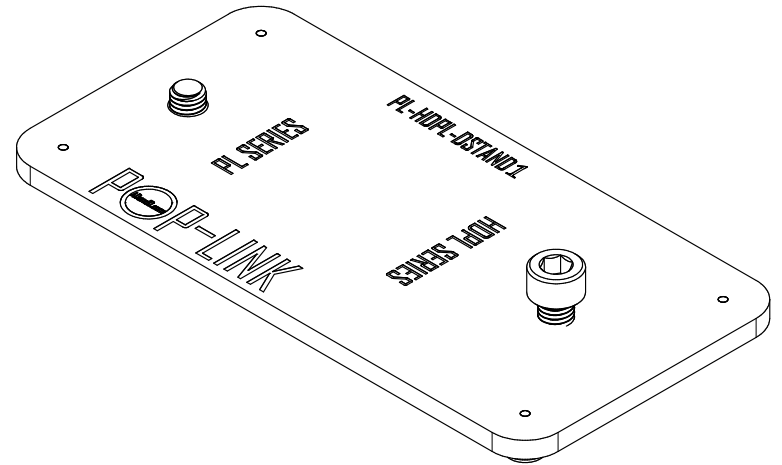
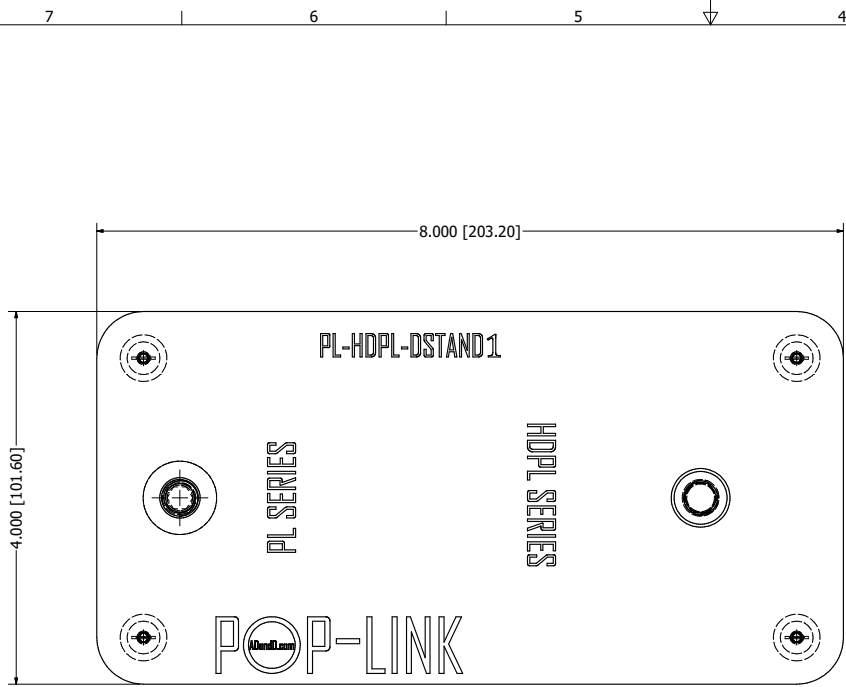
SCALE: FULL DRAWN: BIDDINGER DATE 3/31/17  
 SHEET SIZE D CHECKED: \_\_\_\_\_ DATE: \_\_\_\_\_  
 APPROVED: \_\_\_\_\_ DATE: \_\_\_\_\_  
 No. OF SHEETS \_\_\_\_\_ PART No. **PL-BALLBASE**  
 SHEET No. \_\_\_\_\_

8 7 6 5 4 3 2 1



PATENT PENDING	
BREAK ALL SHARP EDGES AND REMOVE ALL BURRS UNLESS OTHERWISE SPECIFIED	
MARK DETAILS WITH P/N, MATERIAL & HEAT TREAT SPEC UNLESS OTHERWISE SPECIFIED	
ALL WEIGHTS ARE ESTIMATED AND SHOULD NOT BE USED IN LOADING CALCULATIONS	
STANDARD TOLERANCE UNLESS OTHERWISE SPECIFIED	GEOMETRIC CHARACTERISTIC SYMBOLS PER ASME Y14.5M - 1994
2 PLACE DEC. ± .030	FLATNESS
3 PLACE DEC. ± .005	STRAIGHTNESS
4 PLACE DEC. ± .0005	CIRCULARITY
ANGLES ± 1°	CYLINDRICITY
THIRD ANGLE PROJECTION	PROFILE OF A SURFACE
	PERPENDICULARITY
	PARALLELISM
	ANGULARITY
	CIRC RUNOUT
	TOTAL RUNOUT
	POSITION
	CONCENTRICITY
	DIAMETER
	AT MAX MATL. CONDITION
	REGARDLESS OF FEATURE SIZE
	AT LEAST MATL. CONDITION
	DATUM FEATURE

A	RELEASED TO PRODUCTION	3/6/2020	S. RILEY
ZONE	REV	DESCRIPTION	DATE
REVISIONS			
ADandD.com		Pop-Link <sup>®</sup> Mounting Systems	
PL SERIES CLAM SHELL			
MATERIAL:		DESIGNED BY: S. RILEY	
FINISH:		DRAWN BY: S. RILEY	
WT.(LBS): 0.024 lbmass		DRAWN DATE: 5/7/2020	
SHEET. SIZE: D		SCALE: 5 : 1	
DETAIL NO. PL-CS			REV. A



MATERIAL:  
 PATENT PENDING  
 BREAK ALL SHARP CORNERS  
 MARK DETAILS WITH PART No.  
 UNLESS OTHERWISE SPECIFIED  
 STANDARD TOLERANCE  
 UNLESS OTHERWISE SPECIFIED  
 2 PLACE DEC. ± .03  
 3 PLACE DEC. ± .005  
 4 PLACE DEC. ± .0005  
 ANGLES ± 1'

REV	DESCRIPTION	DATE	DRN	CHK
	REVISIONS			



DESCRIPTION  
**PL-HDPL-DSTAND1**  
 SCALE: FULL  
 SHEET SIZE | D  
 No. OF SHEETS \_\_\_\_\_ PART No. PL-HDPL-DSTAND1  
 SHEET No. \_\_\_\_\_  
 DRAWN: BIDDING DATE 3/31/17  
 CHECKED \_\_\_\_\_ DATE \_\_\_\_\_  
 APPROVED \_\_\_\_\_ DATE \_\_\_\_\_

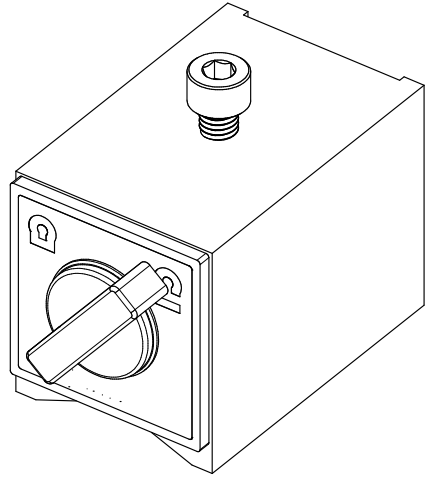
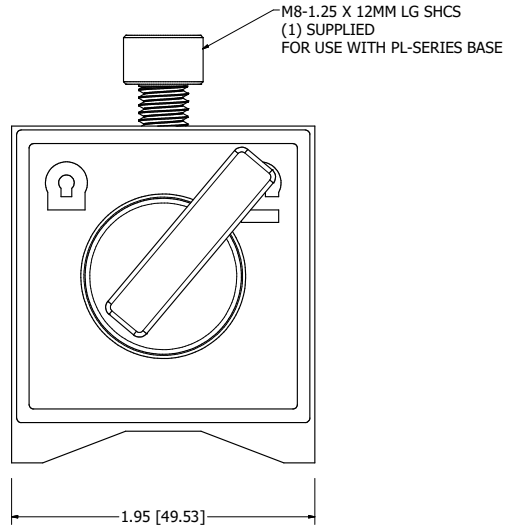
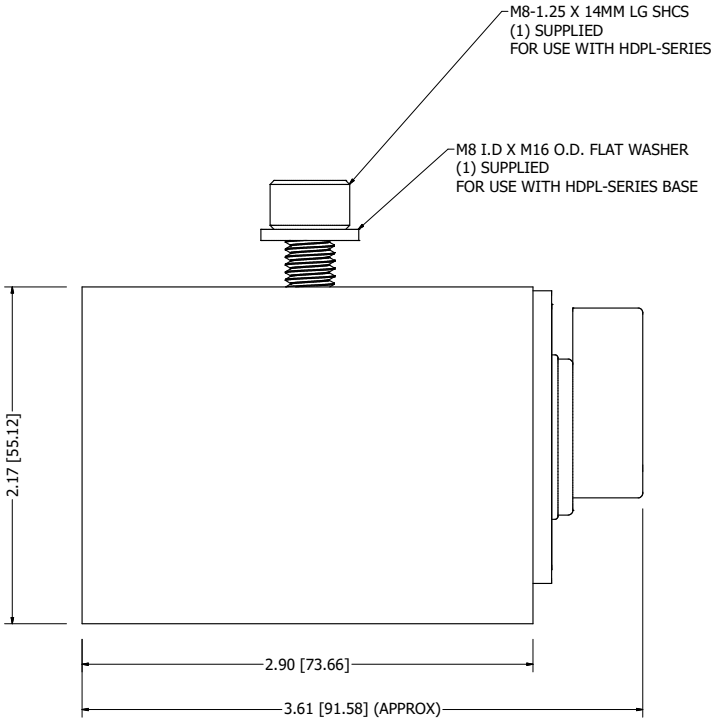
8 7 6 5 4 3 2 1

D

C

B

A



MFG. RATING: 220 LBS.

REV	DESCRIPTION	DATE	DWN	CHK

MATERIAL:

PATENT PENDING

BREAK ALL SHARP CORNERS  
MARK DETAILS WITH PART No.  
UNLESS OTHERWISE SPECIFIED

STANDARD TOLERANCE  
UNLESS OTHERWISE SPECIFIED

2 PLACE DEC. ± .03  
3 PLACE DEC. ± .005  
4 PLACE DEC. ± .0005  
ANGLES ± 1'

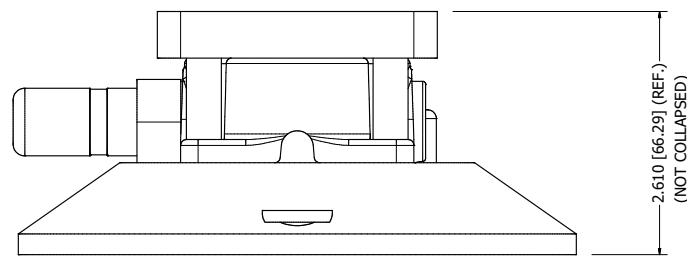
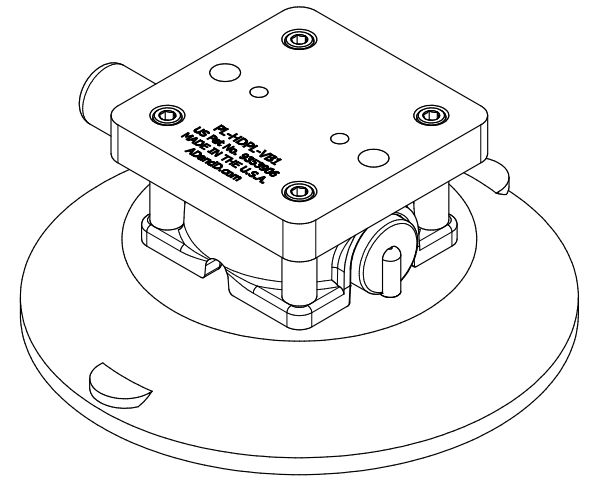
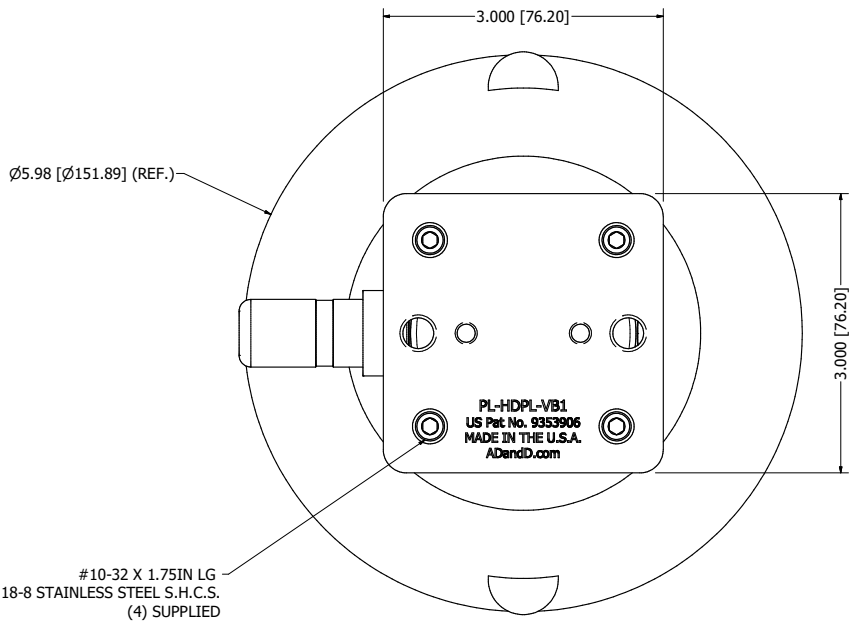
ADandD.com

DESCRIPTION

**PL-HDPL-MAG1**

SCALE: FULL DRAWN: BIDDING DATE 3/31/17  
SHEET SIZE | D CHECKED: DATE  
APPROVED: DATE  
No. OF SHEETS PART No. PL-HDPL-MAG1  
SHEET No.

8 7 6 5 4 3 2 1



REV	DESCRIPTION	DATE	DRN	CHK
	REVISIONS			

MATERIAL:  
 PATENT PENDING  
 BREAK ALL SHARP CORNERS  
 MARK DETAILS WITH PART No.  
 UNLESS OTHERWISE SPECIFIED  
 STANDARD TOLERANCE  
 UNLESS OTHERWISE SPECIFIED  
 2 PLACE DEC. ± .03  
 3 PLACE DEC. ± .005  
 4 PLACE DEC. ± .0005  
 ANGLES ± 1'

ADandD.com

DESCRIPTION  
**PL-VB1**

SCALE: FULL DRAWN, BIDDING DATE 3/31/17  
 SHEET SIZE | D CHECKED \_\_\_\_\_ DATE \_\_\_\_\_  
 APPROVED \_\_\_\_\_ DATE \_\_\_\_\_  
 No. OF SHEETS \_\_\_\_\_ PART No. PL-VB1  
 SHEET No. \_\_\_\_\_