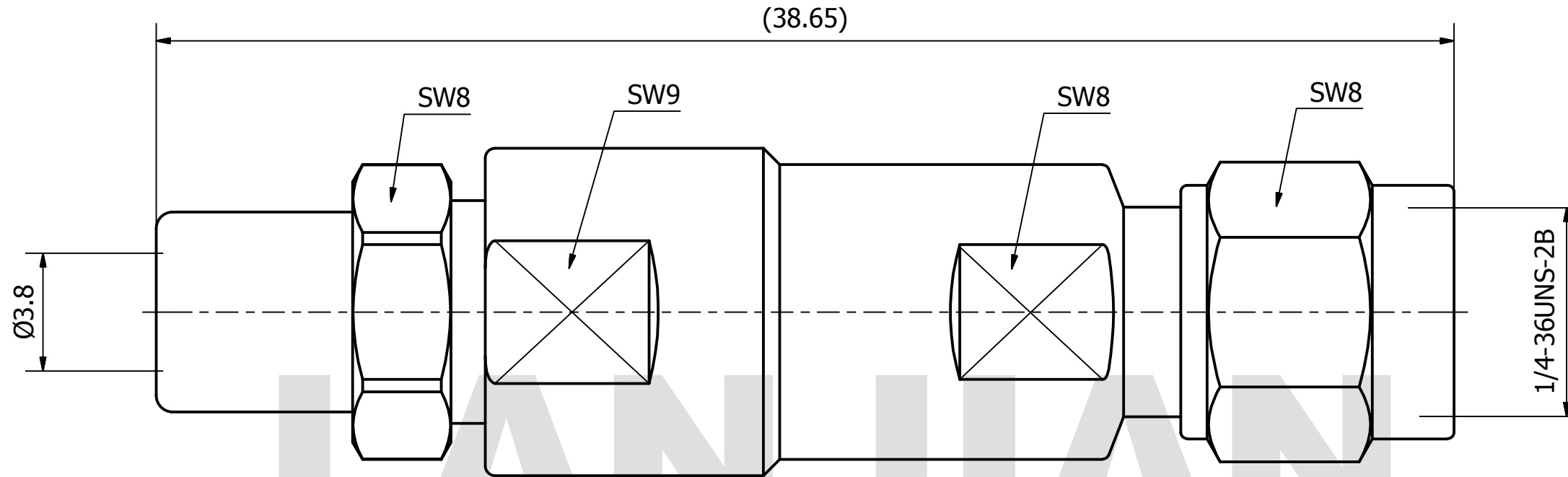


PRODUCT DATA SHEET



MATERIAL:
 BODY: STAINLESS STEEL PER AMS-5640,
 ALLOY UNS S30300
 PIN: BERYLLIUM COPPER PER ASTM B196.
 ALLOY NO. UNS C17300
 INSULATOR: PEI

PERFORMANCE:
 IMPEDANCE: 50 OHMS
 FREQUENCY: DC TO 40 GHz
 VSWR: ≤ 1.35

| | | | | |
|--|--|--------|-------------------------|---|
| THIS DOCUMENT CONTAINS CONFIDENTIAL AND PROPRIETARY INFORMATION THAT CANNOT BE REPRODUCED OR DIVULGED, IN WHOLE OR IN PART, WITHOUT WRITTEN AUTHORIZATION FROM "LANJIAN ELECTRONICS" | MATERIAL : | | | <p style="font-size: 8px; margin: 0;">38 Hengtong Road, Xinqu Dingmao Zhenjiang, 212009, Jiangsu, P. R. China</p> |
| | UNLESS OTHERWISE SPECIFIED: DIMENSIONS IN MM | | | |
| | TOLERANCES : | | | |
| | X.X | ± 0.20 | ANGULAR : ± 1° | DEBURR AND BREAK SHARP EDGES |
| | X.XX | ± 0.10 | FILLETS R/C : ± 0.10 | |
| | X.XXX | ± 0.01 | SURFACE FINISH : Ra 1.6 | |
| DRAWN | NAME | DATE | SIGNATURE | |
| CHK'D | | | | |
| APPV'D | | | | |
| MFG | | | | |
| PROJECTION | SIZE | SCALE | | |
| | A3 | 6: 1 | | |
| DO NOT SCALE THE DRAWING | | | PAGE 1 / 1 | |

LANJIAN ELECTRONICS

38 Hengtong Road, Xinqu Dingmao
Zhenjiang, 212009, Jiangsu, P. R. China

2.9201000/1145/3507A
straight pin cable connector

DWG No. GCPZ3.650.C.008A REV.