

# Wicketts Stainless

## SPECIFICATION

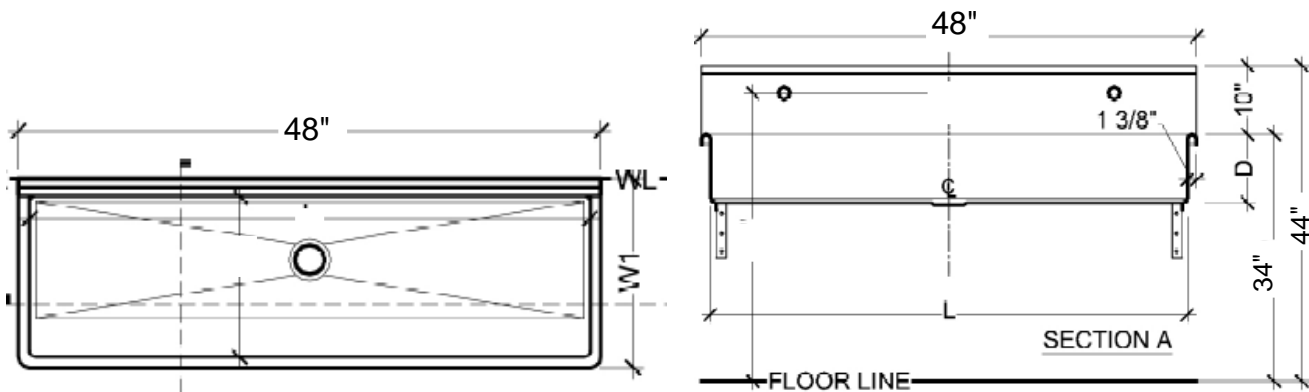
Commercial Sink Heavy Duty  
Wash Up Sink WWT-Series Sens



ADA  
Compliant



ELECTRONIC  
FAUCET MODEL:  
BSM045002100



Model Number	A	B	C	D	E	F
WWT-4820-ADA	48	20	44	6	22.5	10

### Engineering Specification:

14 gauge, type 304 stainless steel wash sink. 1 3/8" rolled rims; 1 1/2" welded in drain. Exposed surfaces polished to a satin finish. Supported on (2) wall brackets and clips.

Wicketts Stainless, LLC.  
2279 Eagle Glen Pkwy.  
Bldg.#112-209  
Corona, Ca 92883  
Tel: 951-858-2548  
Fax: 951-638-9059  
Sales@wickettsstainless.com



Approved for Manufacturing  
Company: \_\_\_\_\_  
Signature: \_\_\_\_\_  
Print: \_\_\_\_\_ Date: / /