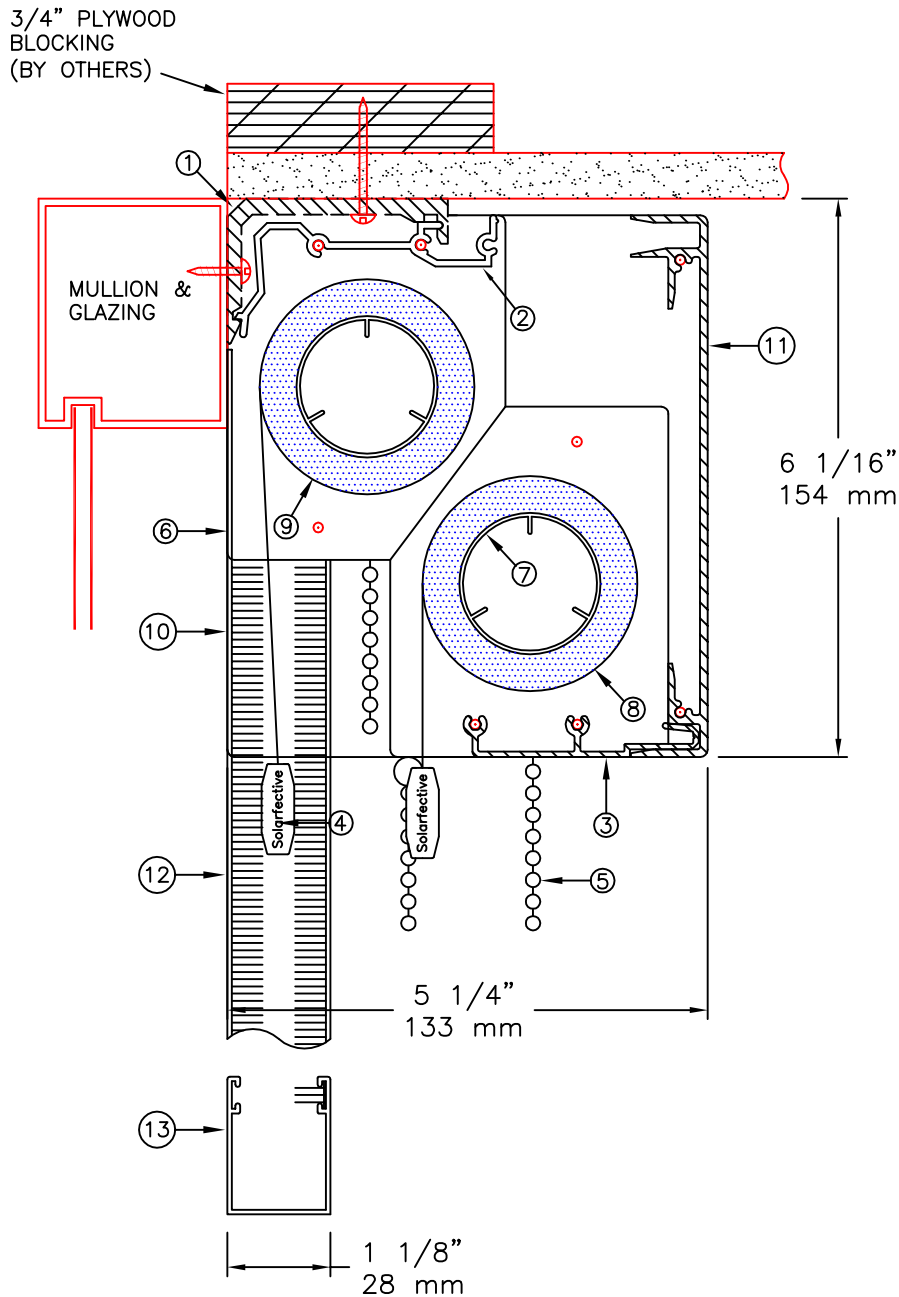


THE TELESHADE CAN BE MOUNTED TO THE CEILING OR TO THE FACE OF THE MULLION



**NOTES:**

1. MOUNTING ANGLE
2. SPRING CLIP
3. EXTRUDED ALUMINUM FASCIA
4. EXTRUDED ALUMINUM EXTERIOR HEMBAR
5. STAINLESS STEEL BALL CHAIN -- UPPER SHADE RIGHT CHAIN, LOWER SHADE LEFT CHAIN
6. ABS END BRACKETS
7. 1 1/2"  $\phi$  EXTRUDED ALUMINUM TUBE
8. FABRIC: 1%, 3%, 5%, 10% OPENNESS OR BLACKOUT
9. FABRIC: 1%, 3%, 5%, 10% OPENNESS OR BLACKOUT
10. ALUMINUM END PLATE
11. EXTRUDED ALUMINUM 6" FASCIA
12. MANUAL BLACKOUT SIDE CHANNELS
13. MANUAL BLACKOUT BOTTOM CHANNELS

**Solarfective**

55 Hymus Road, Scarborough  
Ontario, Canada. M1L 2C6

Tel. (416) 421-3800  
Fax. (416) 421-8424

Web Site: [www.solarfective.com](http://www.solarfective.com)  
Email: [shades@solarfective.com](mailto:shades@solarfective.com)

DOUBLE 6" FASCIA TELESHADE SYSTEM  
BLACKOUT CHANNELS

PROJECT: -

DATE: JAN. 01, 2015	SCALE: N.T.S.	FILE No. -	DRAWN: ADIE	DWG. No. RD-11	REV 0
------------------------	------------------	---------------	----------------	-------------------	----------