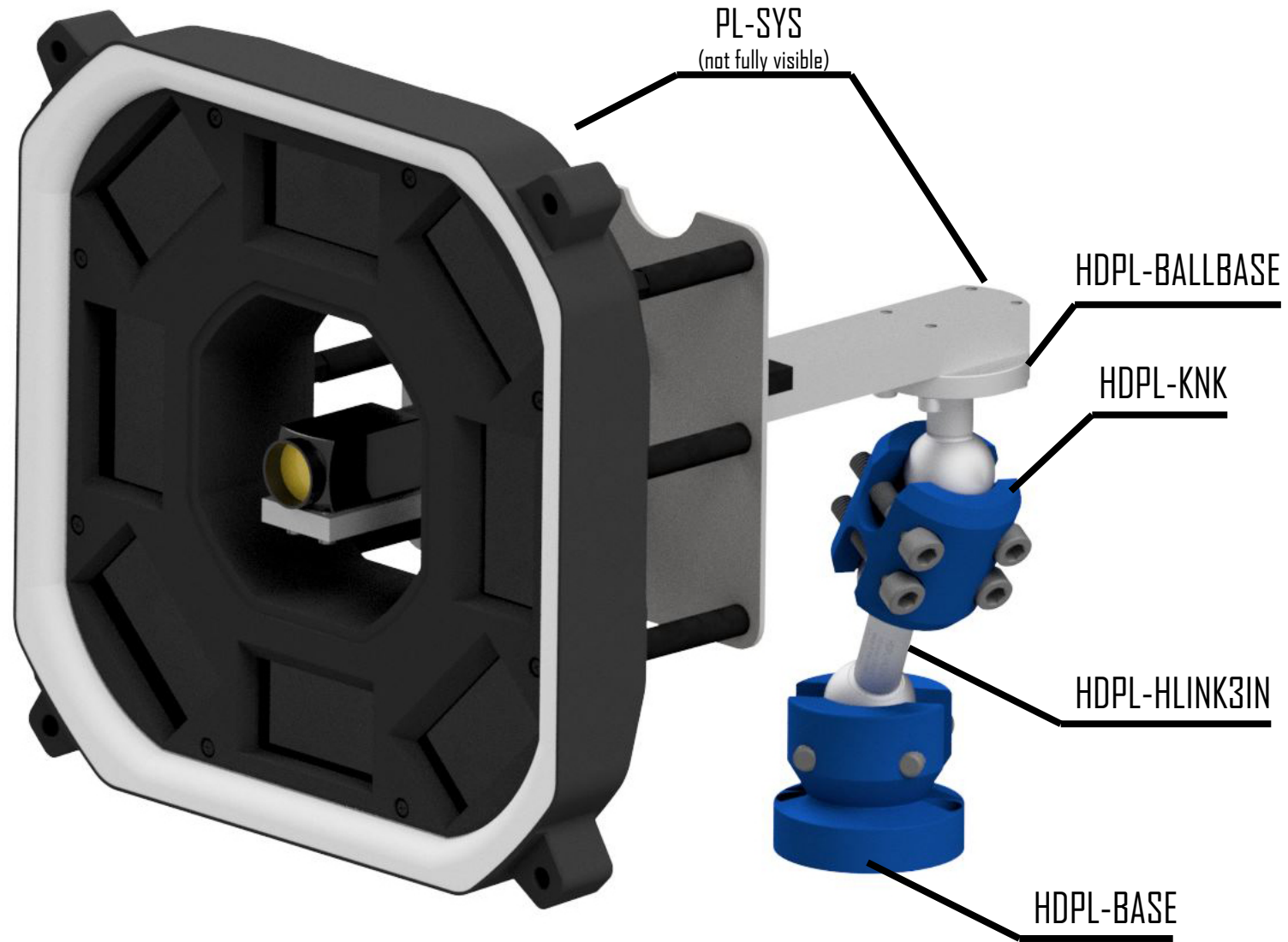
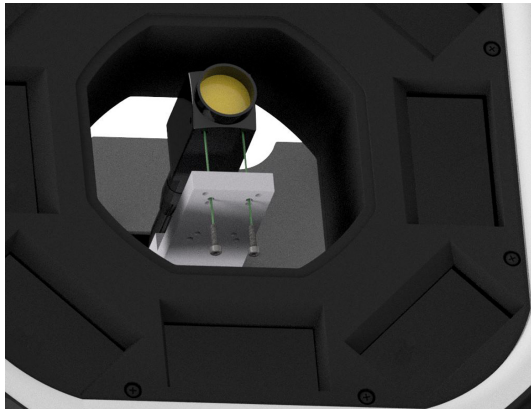


# ADandD P/N PL-SYS1

Mounting for Keyence XG-HD35 C/M Camera

Mounts with included (2) S.H.C.S. - M3-0.5mm X 12mm 18-8SS

# Sample Setup Application



Sample Setup shown with specified Camera and CA-DQP25X Light.