

Architrac[®]

Collection Overview

Architrac® Collection Overview

What is Architrac®?

- Series of heavy duty, aluminum traverse tracks.
- Carry heavier weight draperies with ease.
- Originally designed for commercial & hospitality.
- Variety of bracketing options.
- Specialty bends and curves.



Why recommend Architrac®?

- Perfect for commercial settings like hotels, hospitals or office buildings.
- Upgrade from basic drapery hardware for residential projects
 - Supports heavier weight draperies
 - Smoothest functioning
- Great solution for today's 'tough to treat' windows
- Variety of bracketing options, wide widths, specialty bends and curves



Architrac®

- Assembled set are listed at the beginning of each track series section.
- The components that are used in those assembled sets follow the assembled set pricing.

Architrac® Series 94001

Series 94001 Set & Tracks



Manual Traversing Rods with Selected Carriers
AMP™ Motorization Upcharge
Charger, item #62201300 included. Remotes sold separately.

add \$563.00

Product Number & Finish

94270H025 White 94270H064 Bronze
94270H090 Gray 94270H059 Black

20' tracks available in white only.

Assembled Set

Track Size	1.5' to 2'	4'	6'	8'	10'	12'	14'	16'	20'	24'	28'	32'	36'	40'
Price	\$93	\$109	\$134	\$161	\$190	\$215	\$244	\$272	\$326	\$380	\$434	\$489	\$544	\$598
ONE-WAY DRAW MAXIMUM														

Track Only

Track Size	1.5' to 2'	4'	6'	8'	10'	12'	14'	16'	20'
Price	\$39	\$48	\$56	\$64	\$75	\$82	\$92	\$100	\$117

* **Bend Fee:** \$75 per bend.

* **Curve Fee:** \$17 per foot fee. To calculate total cost of curve fee multiply \$17 times the total track length in feet. The minimum curving fee per track is \$105.

* **Crating fee:** \$50 is also applied which is not included in the bending fee or the minimum curving fee. Crate fee (per line item, identical rods). If quantity requires multiple crates, \$50 will be charged per crate.

Architrac®

- Ordering assembled sets
 - Assembled sets are cut-to-measure (CTM) custom tracks
 - Custom lengths to the nearest 1/8”
 - Priced every 2 feet
 - Set includes all necessary components
 - Price list makes it easy to identify all the specifics of the track

Assembled Set														
Track Size	1.5' to 2'	4'	6'	8'	10'	12'	14'	16'	20'	24'	28'	32'	36'	40'
Price	\$93	\$109	\$134	\$161	\$190	\$215	\$244	\$272	\$326	\$380	\$434	\$489	\$544	\$598
ONE-WAY DRAW MAXIMUM														

Architrac® Order Form

- Order form is located on the Resource Library of the Kirsch website.
 - Please note: All CTM bent or curved rods, except 90 degree bends, require a template for order placement.
- Assembled sets will come standard with 4 carriers per foot (2 ½ drapery fullness on pleated draperies).

KIRSCH® DRAPERY HARDWARE | **K-Rail and Architrac® Order Form - Straight Tracks** page of
For Ordering Guidelines see the Kirsch Price List. To order bent or curved tracks please refer to the Bent Tracks Order Form.

Order Date Account # P.O. # Sidemark Company Name Contact Name

Ship To/Attention Phone Address City State Zip

Quantity Product Number Length (inches) Splicing Rods over 8' can be spliced. Please indicate location of preferred splice.

Track Only Select this option if you only need a track with **NO** components.

Control Type		Draw Preference	Control/Motor Location	Drapery/Master Carrier Style		Ripplefold™ Fullness	Mount	Return Size
<input type="checkbox"/> Hand	<input type="checkbox"/> Cord	<input type="checkbox"/> One-Way Draw Stack Left	<input type="checkbox"/> Left	<input type="checkbox"/> Ripplefold Overlap	<input type="checkbox"/> Pleated Over the Top	<input type="checkbox"/> 120%	<input type="checkbox"/> Wall	<input type="checkbox"/> 3½"
<input type="checkbox"/> Baton	<input type="checkbox"/> Duplex	<input type="checkbox"/> One-Way Draw Stack Right	<input type="checkbox"/> Right	<input type="checkbox"/> Ripplefold Butt Master	<input type="checkbox"/> Cubicle	<input type="checkbox"/> 100%	<input type="checkbox"/> Ceiling	<input type="checkbox"/> 6"
<input type="checkbox"/> AMP™ Motorization*	<input type="checkbox"/> Two-Way Draw			<input type="checkbox"/> Pleated Overlap		<input type="checkbox"/> 80%		<input type="checkbox"/> other <input type="text"/>
				<input type="checkbox"/> Pleated Through Fabric		<input type="checkbox"/> 60%		

Extra Parts **Coordinating Accessories** Please be sure to order all accessories including remote controls, wall switches and USB bridges with AMP Motorization.

Slides Brackets
 Quantity Product Number
 Quantity Product Number
 Quantity Product Number

Architrac®

- There are two handy guides in the price list to help choose the right track; Architrac® at a Glance and Track Performance Data

Architrac® at a Glance

To help determine which system is right for your project, use the guideline below to select the best fit.

ARCHITRAC® SERIES	94001 BEST SELLER	94003	94004 BEST SELLER	94005	9046	9600	K-RAIL
-------------------	----------------------	-------	----------------------	-------	------	------	--------

What is your preferred Draw type?

Hand Baton Draw	•	•	•	•	•	•	•
Cord/Duplex Draw	•						
Motorized	•						

What is your preferred Drapery Heading type?

Pleated	•	•	•	•	•	•	•
Cubicle		•	•	•	•	•	•
Ripplefold™	•	•	•	•			

What is your mounting location?

Ceiling Mount	•	•	•	•	•	•	•
Wall Mount	•	•					•
Recessed Mount	•	•	•	•	•	•	•
Suspension Mount					•		

Is an Angular Bend or Curve needed?

Can be bent*	•	•	•	•	•	•	•
Can be curved*	•	•	•	•	•	•	•

What is the Track Length?

One-Way Draw Max Track Length	UP TO 20'	UP TO 20'	UP TO 16'	UP TO 16'	UP TO 16'	UP TO 20'	UP TO 16'
Two-Way Draw Max Track Length	UP TO 40'	UP TO 20'	UP TO 32'	UP TO 32'	UP TO 32'	UP TO 40'	UP TO 16'











*Architrac® Series 94001 with AMP® Motorization max track length is 16'.

What are the Fabric Weight requirements? (Weight shown is pounds per linear foot)

One-Way	4 LBS	4 LBS	4 LBS	4 LBS	4 LBS	4 LBS	4 LBS
Two-Way	4 LBS	4 LBS	4 LBS	4 LBS	4 LBS	4 LBS	4 LBS

*Architrac® Series 94001 with AMP® Motorization cannot be bent or curved.

Track Performance Data

STYLE	DESCRIPTION	HEADING STYLE	MOUNT	DRAW	MAX. TRACK LENGTH (FT.)	MAX. FABRIC WEIGHT (LBS.)	LBS. PER FT.
 83611 1 1/2" Estate™ Manual or Motorized Draw		Pleated Ripplefold™	Ceiling Wall	One-Way	16	64	4
				Two-Way	16	64	4
 93601 2" Estate™ Manual or Motorized Draw		Pleated Ripplefold™	Ceiling Wall	One-Way	16	64	4
				Two-Way	16	64	4
 83601 2" Estate™ for Chroma 6-Varia Fascia Manual or Motorized Draw		Pleated Ripplefold™	Ceiling Wall	One-Way	16	64	4
				Two-Way	16	64	4
 84003 1 1/2" K-Rail Manual Draw		Pleated Ripplefold™	Ceiling Wall	One-Way	16	64	4
				Two-Way	16	64	4
 94001 Manual or Motorized Draw can be angular bent using 12" radius or circular curved (94001 cannot be convex curved or convex bent and AMP rods cannot be bent or curved)		Pleated Ripplefold™	Ceiling Wall Recessed	One-Way	20	16	80
				Two-Way	40	16	160
 94003 Cubicle Manual Draw can be angular bent using 12" radius or circular curved		Pleated Ripplefold™	Ceiling Wall Recessed	One-Way	20	80	4
				Two-Way	40	160	4
 94004 Cubicle Manual Draw cannot be curved or bent		Pleated Ripplefold™	Ceiling Recessed	One-Way	16	64	4
				Two-Way	32	128	4
 94005 Cubicle Manual Draw can be angular bent using 12" radius or circular curved		Pleated Ripplefold™	Ceiling Recessed	One-Way	16	64	4
				Two-Way	32	128	4
 9046 Cubicle Manual Draw can be angular bent using 8" or 12" radius or circular curved		Pleated	Ceiling Recessed	One-Way	16	64	4
				Two-Way	32	128	4
 9600 Cubicle Manual Draw can be angular bent using 12" or 14" radius or circular curved		Pleated	Ceiling Wall Recessed Suspended	One-Way	20	80	4
				Two-Way	40	160	4

*Maximum track lengths and maximum fabric weight do not apply to curved track. Check with customer service for feasibility. Send complete specifications and fabric weight.

Architrac®

- Architrac® at a Glance
 - Guide asks six questions to help choose the right track.
 1. Draw?
 2. Heading?
 3. Mount location?
 4. Bent or curved?
 5. Track length?
 6. Fabric weight?
 - Asking these questions narrows down the options.

Architrac® at a Glance

To help determine which system is right for your project, use the guideline below to select the best fit.

ARCHITRAC® SERIES	94001 BEST SELLER	94003	94004 BEST SELLER	94005	9046	9600	K-RAIL
What is your preferred Draw type?							
Hand Baton Draw	•	•	•	•	•	•	•
Cord/Duplex Draw	•						
Motorized	•						
What is your preferred Drapery Heading type?							
Pleated	•	•	•	•	•	•	•
Cubicle		•	•	•	•	•	•
Ripplefold™	•	•	•	•			•
What is your mounting location?							
Ceiling Mount	•	•	•	•	•	•	•
Wall Mount	•	•				•	•
Recessed Mount	•	•	•	•	•	•	
Suspension Mount					•	•	
Is an Angular Bend or Curve needed?							
Can be bent*	•	•		•	•	•	
Can be curved*	•	•		•	•	•	
What is the Track Length?							
One-Way Draw Max Track Length	UP TO 20'	UP TO 20'	UP TO 16'	UP TO 16'	UP TO 16'	UP TO 20'	UP TO 16'
Two-Way Draw Max Track Length	UP TO 40'	UP TO 20'	UP TO 32'	UP TO 32'	UP TO 32'	UP TO 40'	UP TO 16'
*Architrac® Series 94001 with AMP™ Motorization max track length is 16'.							
What are the Fabric Weight requirements? (Weight shown is pounds per linear foot)							
One-Way	4 LBS	4 LBS	4 LBS	4 LBS	4 LBS	4 LBS	4 LBS
Two-Way	4 LBS	4 LBS	4 LBS	4 LBS	4 LBS	4 LBS	4 LBS

*Architrac® Series 94001 with AMP™ Motorization cannot be bent or curved.

Architrac®

- Track Performance Data
 - Highlights performance details
 - Draw options
 - Mounting options
 - Max track length
 - Max fabric weight
 - Pounds per foot

Track Performance Data

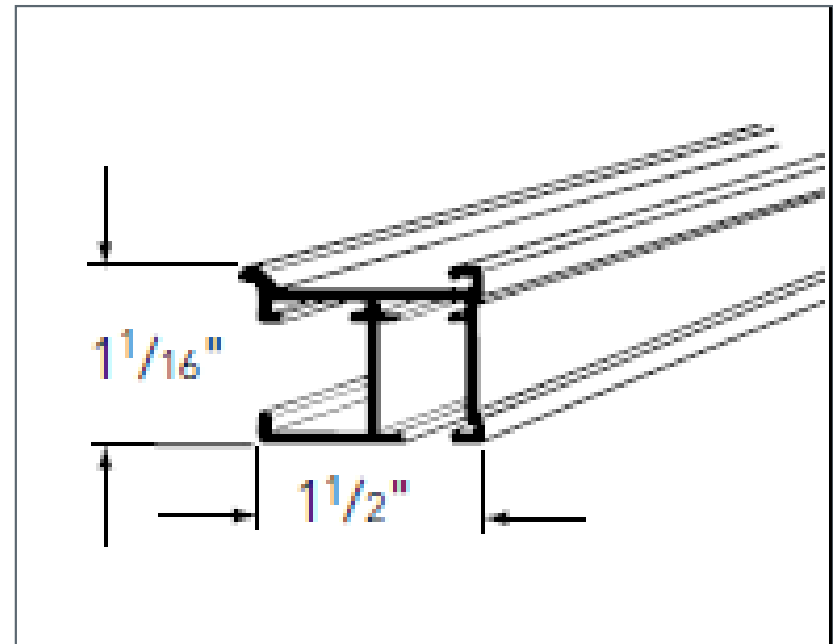
STYLE	DESCRIPTION	HEADING STYLE	MOUNT	DRAW	MAX. TRACK LENGTH (FT.)	MAX. FABRIC WEIGHT (LBS.)	LBS. PER FT.
	83611 1 1/4" Estate™ Cord Draw, Hand/Baton Draw, AMP™	Pleated, Ripplefold™	Ceiling, Wall	One-Way	16	64	4
				Two-Way	16	64	4
	93601 2" Estate™ Cord Draw, Hand/Baton Draw, AMP™	Pleated Ripplefold™	Ceiling Wall	One-Way	16	64	4
				Two-Way	16	64	4
	83601 2" Estate™ for Chroma Fascia Cord Draw, Hand/Baton Draw, AMP™	Pleated Ripplefold™	Ceiling Wall	One-Way	16	64	4
				Two-Way	16	64	4
	84003 1 1/4" K-Rail Hand/Baton Draw	Pleated Ripplefold™	Ceiling Wall	One-Way	16	64	4
				Two-Way	16	64	4
	94001 Cord Draw Hand/Baton Draw, AMP™ <small>can be angular bent using 12" radius or circular curved (94001 cannot be convex curved or convex bent and AMP rods cannot be bent or curved)</small>	Pleated Ripplefold™	Ceiling Wall Recessed	One-Way	Cord/Hand AMP™ Cord/Hand AMP™		4
				Two-Way	20 16 80 64	40 16 160 64	4
	94003 Cubicle Hand/Baton Draw <small>can be angular bent using 12" radius or circular curved</small>	Pleated Ripplefold™	Ceiling Wall Recessed	One-Way	20	80	4
				Two-Way	40	160	4
	94004 Cubicle Hand/Baton Draw <small>cannot be curved or bent</small>	Pleated Ripplefold™	Ceiling Recessed	One-Way	16	64	4
				Two-Way	32	128	4
	94005 Cubicle Hand/Baton Draw <small>can be angular bent using 12" radius or circular curved</small>	Pleated Ripplefold™	Ceiling Recessed	One-Way	16	64	4
				Two-Way	32	128	4
	9046 Cubicle Hand/Baton Draw <small>can be angular bent using 8" or 12" radius or circular curved</small>	Pleated	Ceiling Recessed	One-Way	16	64	4
				Two-Way	32	128	4
	9600 Cubicle Hand/Baton Draw <small>can be angular bent using 12" or 14" radius or circular curved</small>	Pleated	Ceiling Wall Recessed Suspended	One-Way	20	80	4
				Two-Way	40	160	4
	Superfine® Cord Draw	Pleated	Ceiling Wall	One-Way	15	15	1
				Two-Way	25	20	0.8
	9000 Regular Cord Draw <small>Can be angular bent using 8" radius or circular curved</small>	Pleated	Ceiling Wall	One-Way	16	20	1.25
				Two-Way	32	32	1.0
	9003 Heavy Duty Cord Draw	Pleated	Ceiling Wall	One-Way	16	20	1.25
				Two-Way	32	30	1.0

APPENDIX

*Maximum track lengths and maximum fabric weight do not apply to curved track. Check with customer service for feasibility. Send complete specifications and fabric weight.

Architrac® Cord Draw Track

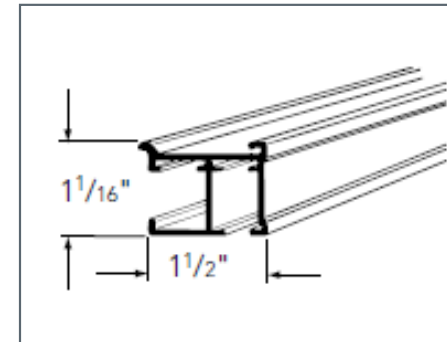
- Series 94001 Cord Drawn Tracks
 - Great for
 - Cord, baton/ hand or baton duplex draw draperies
 - Pleated and Ripplefold™ heading style
 - Ceiling, wall or recessed mount
 - Bent or curved rods



Series 94001

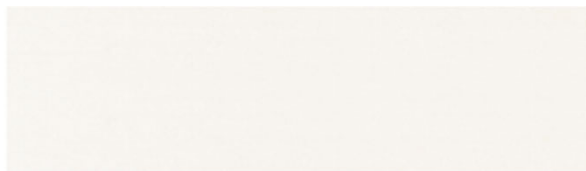
Architrac[®] Cord Draw Tracks

- Why recommend Series 94001?
 - Offers AMP[™] Motorization operating method
 - Heavy duty, carries more weight, up to 4 lbs. per foot
 - Wider track lengths
 - Offers ball bearing carriers
 - Heavy duty ball bearing pulleys – smoother function
 - Intermediate pulley – more draw flexibility
 - Track available in four colors



Architrac® Baton Draw Tracks

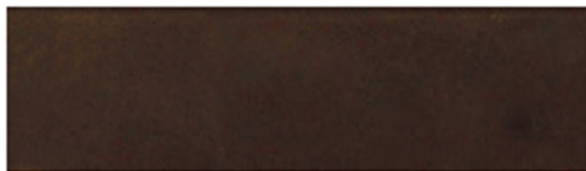
- Series 94003, 94004 & 94005 Baton Draw Tracks
 - All three series are great for:
 - Baton draw ONLY
 - Pleated and Ripplefold™ header style
 - Ball bearing carriers & masters offered
 - Ceiling or recessed mount
 - Draperies up to 4 lbs. per foot
 - Tracks available in four colors



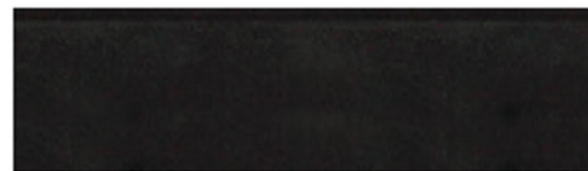
White



Anodized



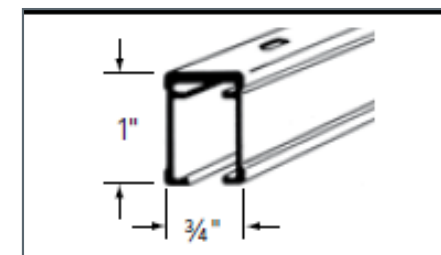
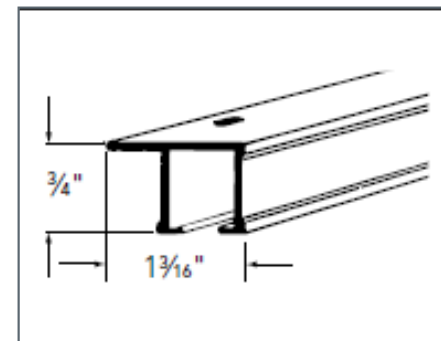
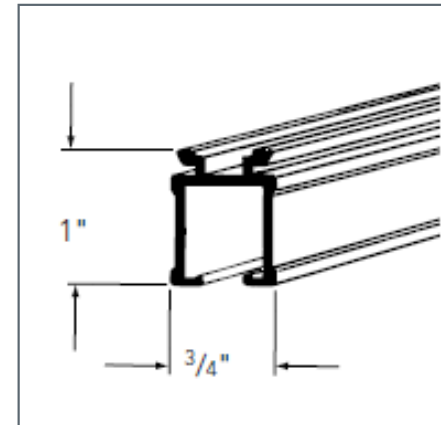
Bronze



Black

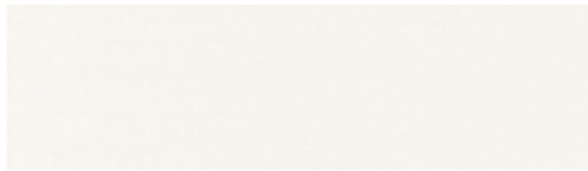
Architrac® Baton Draw Tracks

- Why recommend Series 94003?
 - Wall, ceiling or recessed mount
 - Can be bent or curved
 - Wider lengths available (up to 40 feet)
- Why recommend Series 94004?
 - Direct ceiling mount without brackets
 - Lower profile face (3/4" vs 1")
 - Less expensive
- Why recommend Series 94005?
 - Direct ceiling mount without brackets
 - Can be bent or curved

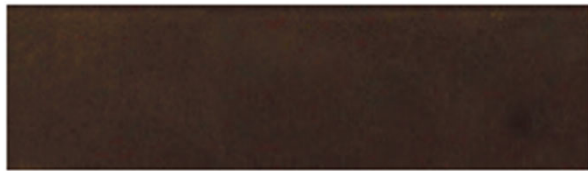


Architrac® Cubicle Tracks

- Series 9046 and 9600 Cubicle Tracks
 - Both series are great for:
 - Baton draw ONLY
 - Cubicle curtains or pleated
 - Ceiling or recessed mount
 - Bent or curved rods
 - Tracks available in four colors



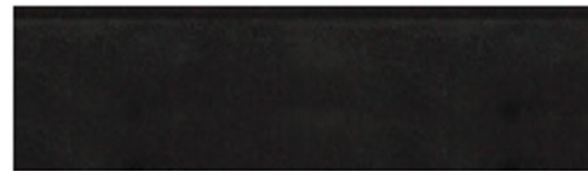
White



Bronze



Anodized

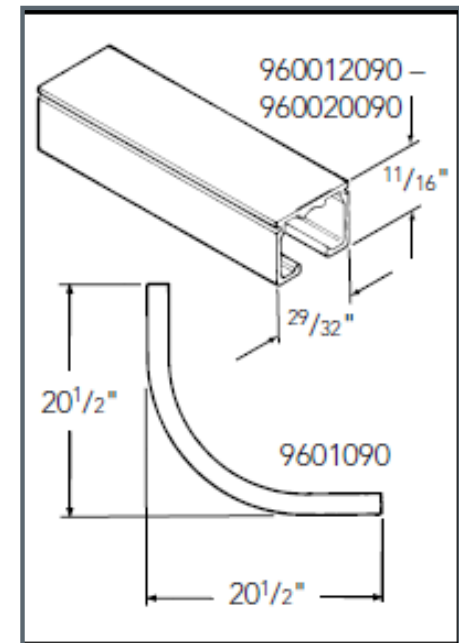
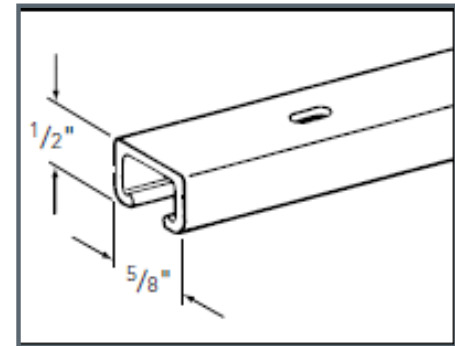


Black

Architrac® Cubicle Tracks

- Why recommend Series 9046?
 - Lower profile face ($1/2''$ vs $11/16''$)
 - Less expensive than 9600

- Why recommend Series 9600?
 - Heavy duty
 - Offers wall and suspension mounts
 - Wheeled carriers for smoother function
 - Wider maximum size

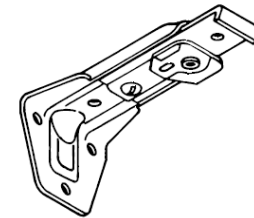


Architrac® Brackets

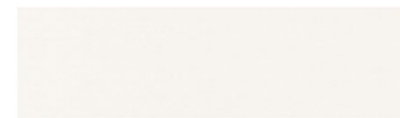
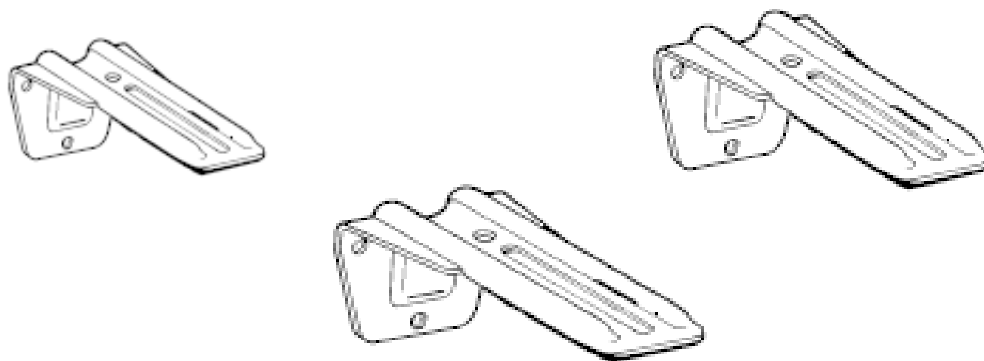
- 94003 Ceiling Mount Brackets
 - Four colors



- 94003 3" Wall Mount Brackets
 - Four colors



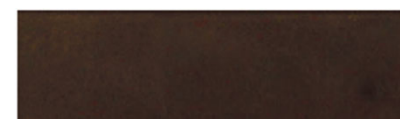
- 94001 and 94003 3", 5" and 6" Wall Mount Base Extension Brackets
 - Four colors



White



Anodized



Bronze

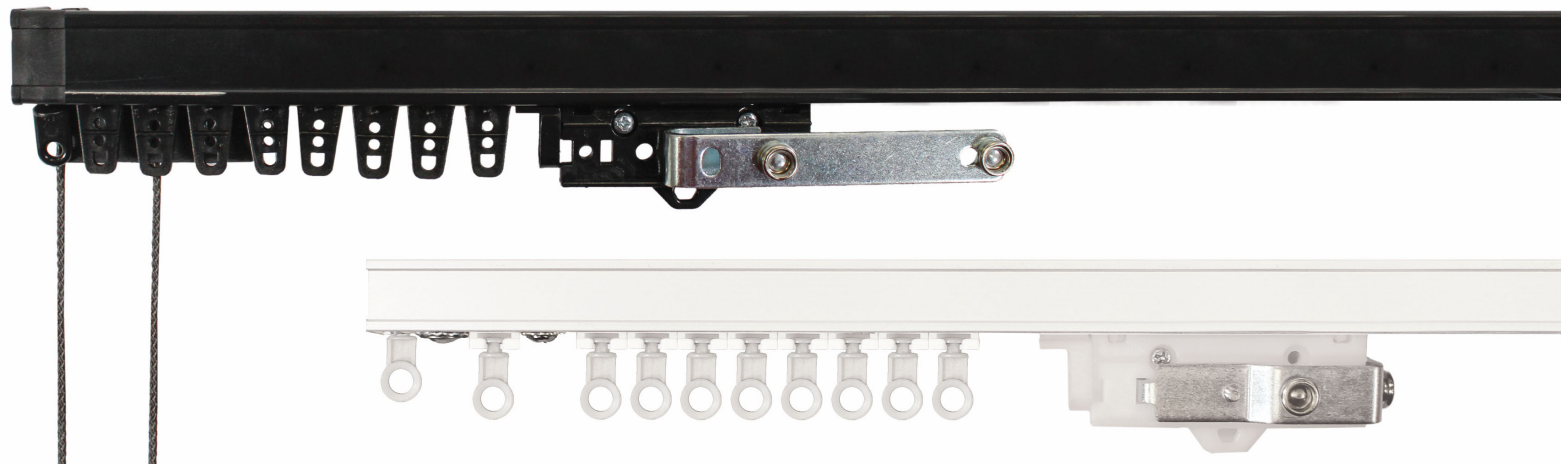


Black

- Note: wall bases will require a ceiling bracket

Architrac® Master Carriers

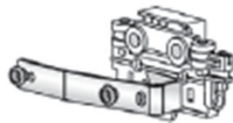
- General Overview
 - Always a right and a left carrier for each “style”
 - Two types
 1. Overlap Masters
 2. Butt Masters
 - Two qualities
 1. Wheeled (best)
 2. Slide



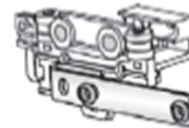
Architrac® Master Carriers

- Pleated Overlap Master Carriers
 - One type
 - Overlap style
 - One quality
 - Wheeled (best)
 - Ensures closure for light control and privacy

Cord/Duplex/Motorized



84103xxx
RH



84104xxx
LH

Baton



84203xxx
RH

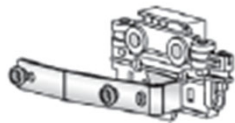


84204xxx
LH

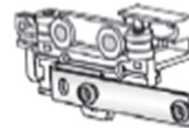
Architrac® Master Carriers

- Ripplefold Overlap Master Carriers and Butt Master Carriers
 - Overlap Master Carriers
 - Ensure closure, light control and privacy on split draw draperies
 - Available baton and cord draw
 - Available wheeled and slide
 - Available in white and black

Cord/Duplex/Motorized



84103xxx
RH



84104xxx
LH

Baton



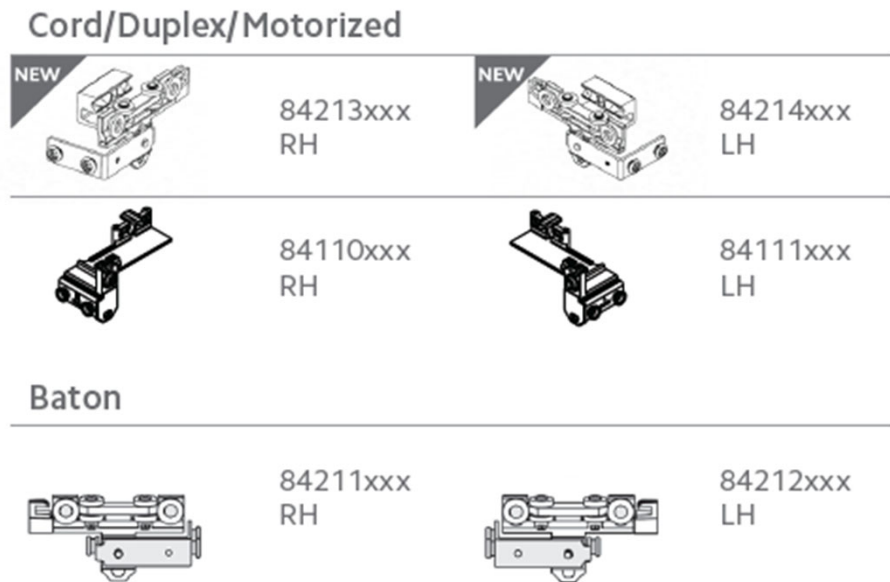
84203xxx
RH



84204xxx
LH

Architrac® Master Carriers

- Ripplefold Overlap Master Carriers and Butt Master Carriers
 - Butt Master Carriers
 - Continuous soft, flowing appearance of draperies
 - Available in baton and cord draw
 - Available in wheeled and slide
 - Available in white and black
 - Note: certain fabrics are prone to “tenting” which can result in loss of privacy and light control



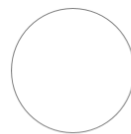
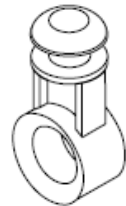
Architrac® Carriers and Slides

- For Pleated and Cubicle Draperies
 - Good – Slides
 - Slides are less expensive
 - Slides along the track
 - Better – Wheeled Carriers
 - Carrier rolls along the track
 - Best – Ball Bearing Carriers
 - Smoothest traversing because the ball bearing reduces drag on the textile as it rolls across the track
 - 16mm colored ball bearing carriers
 - Four colors
 - Reduces stack back by 36%
 - Three holes to adjust pin setting



Architrac® Ripplefold™ Carriers and Pendants

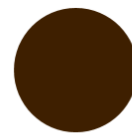
- Two Sided Ripplefold Snap Pendants
 - Available in four colors



White



Black

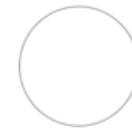


Bronze



Grey

- Wheeled Ripplefold Carrier Base
 - Available in two colors for all four fullness factors (60%, 80%, 100% and 120%)



White



Black

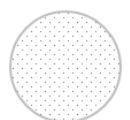
- 1" Ripplefold Snap Tape
 - Available in three colors



White







Black



Clear

Ripplefold™ Fullness and Carrier Types

- Connected carriers dictate the fullness of draperies
- Wheeled carriers offer smoother function
- Wheeled carriers have removable pendant for easier installation
- Four fullness factors available. Carrier spacing determines drapery fullness and stackback width. For stackback chart please reference the Ripplefold Fabrication Manual on the Resource Library on kirsch.com

	FULLNESS	APPEARANCE OF	WHEELED CARRIER SPACING
↑ FULLEST	120% 	2.5 x Fullness	1 7/8"
	100% 	2 x Fullness	2 1/8"
	80% 	1.8 x Fullness	2 3/8"
	60% 	1.6 x Fullness	2 5/8"

Architrac®

- Corded tracks use 3.5mm cord
 - Four colors to color coordinate with track
- Tension Device
 - Four colors to color coordinate with track





@kirsch

Experience more, visit kirsch.com